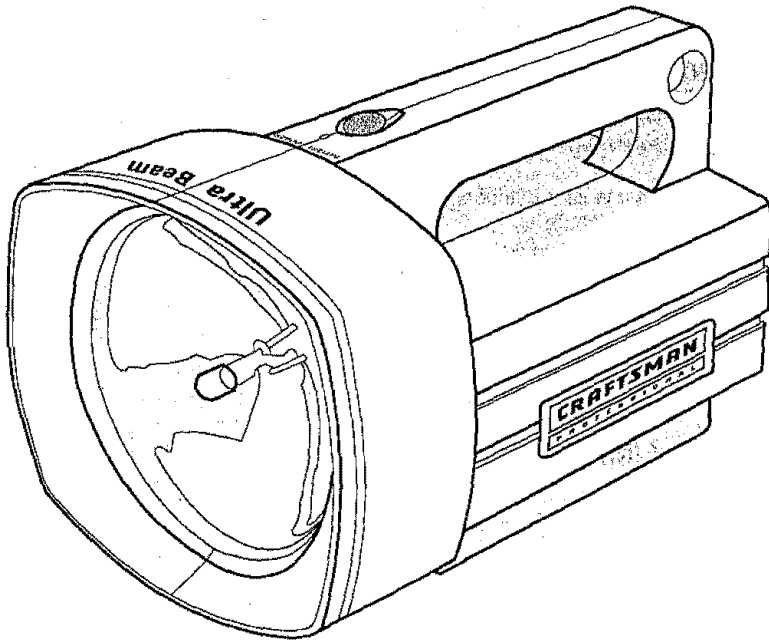


Owner's Manual

DORCY

Rechargeable Xenon Lantern



CAUTION: Read, understand and follow all instructions in this manual before using this product.

- SAFETY
- BASIC INFORMATION
- BATTERY CHARGING
- ESPAÑOL

TABLE OF CONTENTS

Safety Instructions.....	Page	2
Basic Information.....	Page	3
Features.....	Page	3
Charging the Lantern.....	Page	3
Maintenance.....	Page	4
Troubleshooting.....	Page	4
Replacement Parts.....	Page	4

SAFETY INSTRUCTIONS

- Read all instructions before using this lantern.

CAUTION: The battery inside your lantern is permanently sealed and should not leak. Under no circumstances should you break, crush or burn the battery. It contains poisonous sulfuric acid, which can cause skin burns, eye injury and property damage.
KEEP LANTERN OUT OF THE REACH OF CHILDREN.

- **ALWAYS** turn lantern to off position before attempting to charge the battery.
- **DO NOT** use lantern while it is charging. **ALWAYS** wait until it is fully charged before turning it on.
- **NEVER** charge the lantern outdoors, always use an indoor standard household 120-v., 60 Hz AC only outlet.
- **DO NOT** immerse lantern in water.
- **NEVER** attempt to charge a wet lantern, let it dry thoroughly before charging.
- **ALWAYS** unplug lantern from charger before attempting to clean or service it.
- **DO NOT** burn, crush or in any way destroy your lantern.
- **ALWAYS** recycle or properly dispose of battery when it is no longer usable.
- **DO NOT** charge the lantern with a damaged wall charger or extension cord.

SAVE THESE INSTRUCTIONS!



Contains sealed, non-spillable lead acid battery.
Must be disposed of properly.

BASIC INFORMATION

Your rechargeable lantern was shipped with a charged battery, but because the lantern may have been stored before you purchased it, it will need to be charged before you first use it.

- **ALWAYS** charge your lantern for 16 hours before first usage.
- **NEVER** use the lantern when the bulb gets dim, or the Battery Power Indicator light is red. This indicates that recharging is needed.
- The lantern will last up to 4 hours on one charge.
- **ALWAYS** recharge lantern after every use.
- If the lantern has been stored for 4 to 6 months without charging, charge it for at least 8 hours.
- Replacement batteries and bulbs are available from Dorcy at 1-614-497-5830. See Replacement Parts section of this manual.

FEATURES

1. Your lantern has a 2-position on/off switch.
 - A. To turn lantern ON push once.
 - B. To turn lantern OFF push again.
2. Your lantern also has an LED Battery Power Indicator Light which shows the power status of the battery:
 - GREEN – indicates 100% to 50% run time remaining.
 - YELLOW – indicates 50% to 20% run time remaining.
 - RED – indicates 20% or less run time remaining.
3. Your lantern has a spare bulb holder located inside the lantern behind the bulb reflector.

NOTE: We do not recommend that you operate the lantern if the LED turns red. When the light turns red, it means that the lantern should be recharged.

CHARGING THE LANTERN

1. Turn the lantern OFF.
2. Insert charger cord into the charging receptacle on lantern.
3. Plug charger into standard household 120-v., 60 Hz AC only outlet.

NOTE: **ALWAYS** charge lantern indoors. **DO NOT** charge lantern if it is wet or moist, allow it to dry completely before charging.

4. Charge lantern for 16 hours.
5. After charging is completed, unplug the charger cord from the outlet first, then unplug the charger from the lantern.

IMPORTANT: **DO NOT** use lantern while it is charging. **ALWAYS** wait until it is fully charged before turning it on.

CHARGING TIPS

1. **DO NOT** exceed 36 hours of continuous charging time. To ensure full battery life, do not charge the lantern indefinitely.
2. **ALWAYS** recharge lantern after every use.
3. **ALWAYS** make sure lantern is fully charged before storing it for an extended period of time. Recharge 8 hours after 4 to 6 months in storage.
4. **DO NOT** leave the lantern in the ON position when the battery is discharged. This could permanently damage the unit. A dim bulb or the red LED Battery Indicator Light means the battery needs recharging.

MAINTENANCE

- **ALWAYS** use a rag or sponge dampened with hot water and a mild soap (no abrasives) to clean the plastic parts of your lantern.
- **DO NOT** use any detergent, solvent or cleaners that contain chemicals that could damage the plastic parts.

TROUBLESHOOTING

1. Lantern does not operate.

Does the LED Power Indicator Light Come on?

- If not, completely charge lantern for 16 hours.
- If it does, and the light is green, your bulb has burned out and you need a new one.

2. Lantern will only operate for a short period of time.

- Completely charge lantern for 16 hours.
- If lantern still does not operate properly, your battery has failed and you need a new one.

REPLACEMENT PARTS

Replacement batteries and bulbs are available at your local Sears store. See item numbers below for the replacements for this lantern

Bulb — #93199

Battery — #93200