

Installation Instructions

Gas Slide-In Range

JGSP28

? Questions? Call 800.GE.CARES (800.432.2737) or Visit our Website at: ge.com

IN THE COMMONWEALTH OF MASSACHUSETTS:

- This product must be installed by a licensed plumber or gas fitter.
- When using ball-type gas shut-off valves, they shall be the T-handle type.
- A flexible gas connector, when used, must not exceed 3 feet.

BEFORE YOU BEGIN

Read these instructions completely and carefully.

- **IMPORTANT** — Save these instructions for local inspector's use.
- **IMPORTANT** — Observe all governing codes and ordinances.
- **Note to Installer** – Be sure to leave these instructions with the Consumer.
- **Note to Consumer** – Keep these instructions for future reference.
- Product failure due to improper installation is not covered under the Warranty.

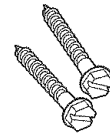
▲ WARNING — This appliance must be properly grounded.

- **IMPORTANT** — Leak testing of the appliance shall be conducted according to the manufacturer's instructions.
- **Proper installation is the responsibility of the installer and product failure due to improper installation is NOT covered under warranty.**

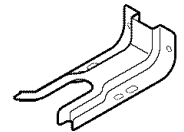
PARTS INCLUDED



Rear Filler
2 Screws



Screws

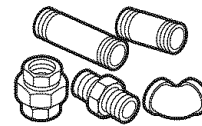


Anti-Tip Bracket

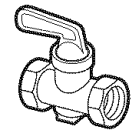
MATERIALS YOU MAY NEED



Joint Sealant



Pipe Fittings



Shut Off Valve



CSA-Approved Flexible Gas Line
3/8" Min. ID, 1/2" NPT Connection,
3-foot Maximum Length (Massachusetts Only)

TOOLS YOU WILL NEED



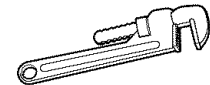
1/4" Nut Driver



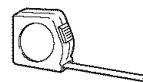
Level



Phillips Head
Screwdriver



Pipe Wrench



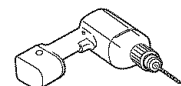
Tape Measure



Wrench or Pliers
(for 1-7/16" Nut)



Safety Glasses



Drill

Installation Instructions

IMPORTANT SAFETY INSTRUCTIONS

FOR YOUR SAFETY:

▲ WARNING — If the information in this manual is not followed exactly, a fire, explosion or gas leak may result, causing property damage, personal injury or death.

Do not store or use gasoline or other flammable vapors and liquids in the vicinity of this or any other appliance!



WHAT TO DO IF YOU SMELL GAS:

- Do not try to light any appliance. Do not touch any electrical switch; do not use any phone in your building.
- Immediately call your gas supplier from a neighbor's phone. Follow the gas supplier's instructions.
- If you cannot reach your gas supplier, call the fire department.

Installation and service must be performed by a qualified installer, service agency or the gas supplier.

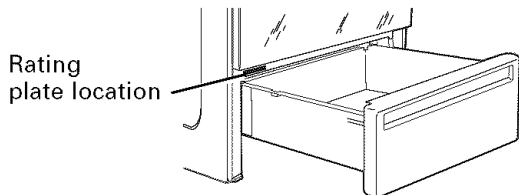
This range has been design certified by UNDERWRITERS LABORATORIES. You'll find safety precautions in your Owner's Manual. Read them carefully.

- Installation of this range must conform with local codes or in the absence of local codes with the National Fuel Gas Code, ANSI Z223.1—Latest edition.
- Be sure your range is installed properly by a qualified installer or service technician.
- To eliminate reaching over surface burners, cabinet storage above burner should be avoided.
- Do not install the unit near an outside door or where a draft may affect its use.

Installation Instructions

ELECTRICAL REQUIRMENTS

This appliance must be supplied with the proper voltage and frequency and connected to an individual, properly grounded branch circuit, protected by a circuit breaker or fuse having amperage as noted on the rating plate. (Rating plate is located above the storage drawer below the oven frame).



We recommend you have the electrical wiring and hookup of your range connected by a qualified electrician. After installation, have the electrician show you where your main range disconnect is located.

Check with your local utilities for electrical codes which apply in your area. Failure to wire your range according to governing codes could result in a hazardous condition. If there are no codes, your range must be wired and fused to meet the requirements of the National Electrical Code, ANSI/NFPA No. 70—Latest edition. You can get a copy by writing:

National Fire Protection Association
Batterymarch Park
Quincy, MA 02269

Be sure the installation of this product in a mobile home conforms with the Manufactured Home Construction and Safety Standard, Title 24 CFR, Part 3280. If this standard does not apply, you must follow the standard for Manufactured Home Installations, ANSI A225.1 and Manufactured Home Installations, Sites and Communities and ANSI/NFPA 501A or with local codes. You can get a copy of the Federal Standard by Writing:

Office of Mobile Home Standards
HUD Building
451 7th Street, S.W.
Washington, D.C. 24010

ANTI-TIP DEVICE

▲ WARNING — To reduce the risk of tipping, the appliance must be secured by properly installed Anti-Tip bracket packed with this appliance.

To check if the bracket is installed and engaged properly, carefully tip the range forward. The anti-tip bracket should engage and prevent the range from tipping over.



▲ WARNING —

- All ranges can tip
- Injury to persons could result
- Install Anti-Tip bracket packed with range
- See Installation Instructions



If you pull the range out and away from the wall for any reason, make sure the Anti-Tip bracket is engaged when the range is pushed back against the wall.

Installation Instructions

PRE-INSTALLATION CHECKLIST

1 INSPECT INSTALLATION LOCATION

Refer to alternate construction section for the following non-standard installations.

- A Counter opening extends to the wall:**
Maintop Filler (supplied with the range) (see page 15 for Installation Instructions) or Backguard Kit (JXS32XX).
- B Counter height greater than 36-3/4":**
Lower Trim Slide-In (Kit JXS56XX).
- C One side is not enclosed by a cabinet:**
Bodyside (Kit JXS77XX).
- D Island Installation:**
To provide an optimum installation, the top surface of the countertop must be level and flat (lie on the same plane) around the 3 sides that are adjacent to range cooktop. Proper adjustments to make the top flat should be made or gaps between the countertop and range cooktop may occur. Forcing the cooktop to fit may cause excessive gaps and could chip the enamel cooktop.

To obtain Kits:

- a. Visit GE Web Site (See page 1)
- b. Call GE Answer Center (See page 1)
- c. Contact Dealer

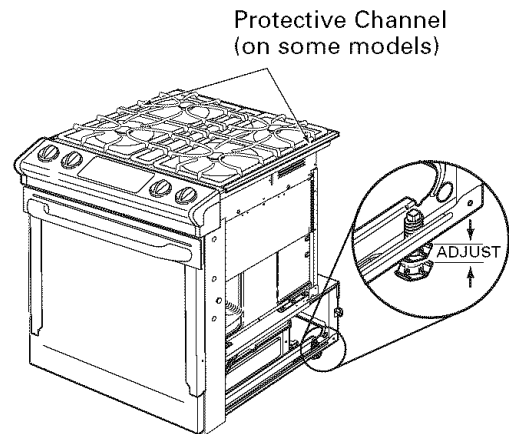
2 MOVE RANGE INDOORS IN FRONT OF CABINET OPENING

Do not use hand trucks when moving the unpackaged range. Cooktop enamel may be chipped.

3 PROTECT THE KITCHEN FLOOR

Flatten and place a piece of the shipping carton in front of the installation location to protect the flooring.

NOTE: Do not remove the protective channel from the sides of the cooktop, if applicable, until later in the installation.



4 CAREFULLY, TILT RANGE TO ACCESS RANGE LEVELING LEGS

Use an adjustable wrench to screw leveling legs out so that cooktop support flanges clear top of countertop.

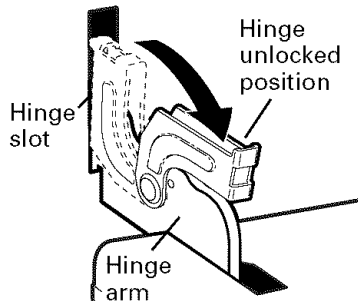
Installation Instructions

5 REMOVE THE DOOR IF NECESSARY

Door removal is not a requirement for installation of the product, but is an added convenience. To remove the door:

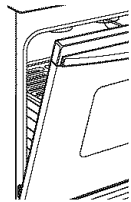
A UNLOCK HINGES

Push both hinge locks down toward the door frame, to the unlocked position. This may require a flat blade screwdriver.



B POSITION DOOR

Place hands on both sides of the door, and close the oven door to the removal position. This is half way between the broil stop and fully closed.



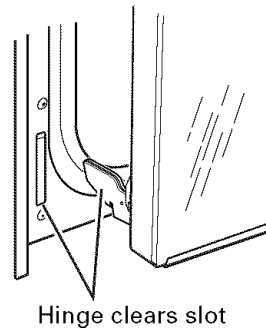
5 REMOVE THE DOOR IF NECESSARY (cont.)

C LIFT OFF DOOR

Lift door up and out until the hinge arms clear the slots.

DO NOT LIFT THE DOOR BY THE HANDLE.

NOTE: The oven door is very heavy. Be sure you have a firm grip before lifting the oven door off the hinges. Use caution once the door is removed. Do not lay the door on its handle. This could cause dents or scratches.



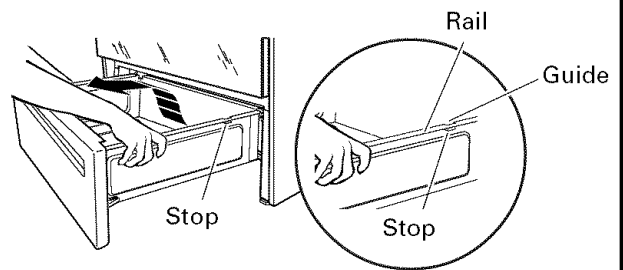
6 REMOVE PACKING MATERIALS

Also remove labels on door, plastic on trim and panel and all tape around the range.

7 REMOVE STORAGE DRAWER

A Pull the drawer out until it stops.

B Lift the front of the drawer until the stops clear the guides.



C Pull forward and remove the drawer.

Installation Instructions

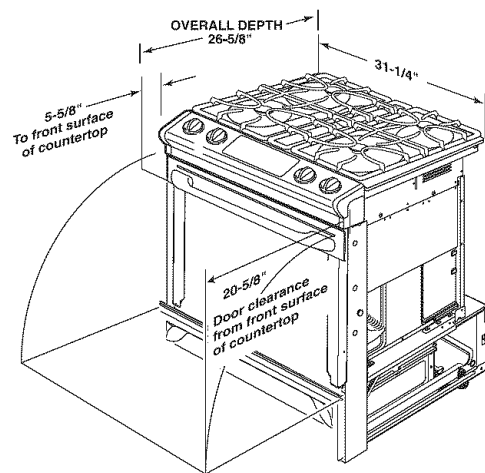
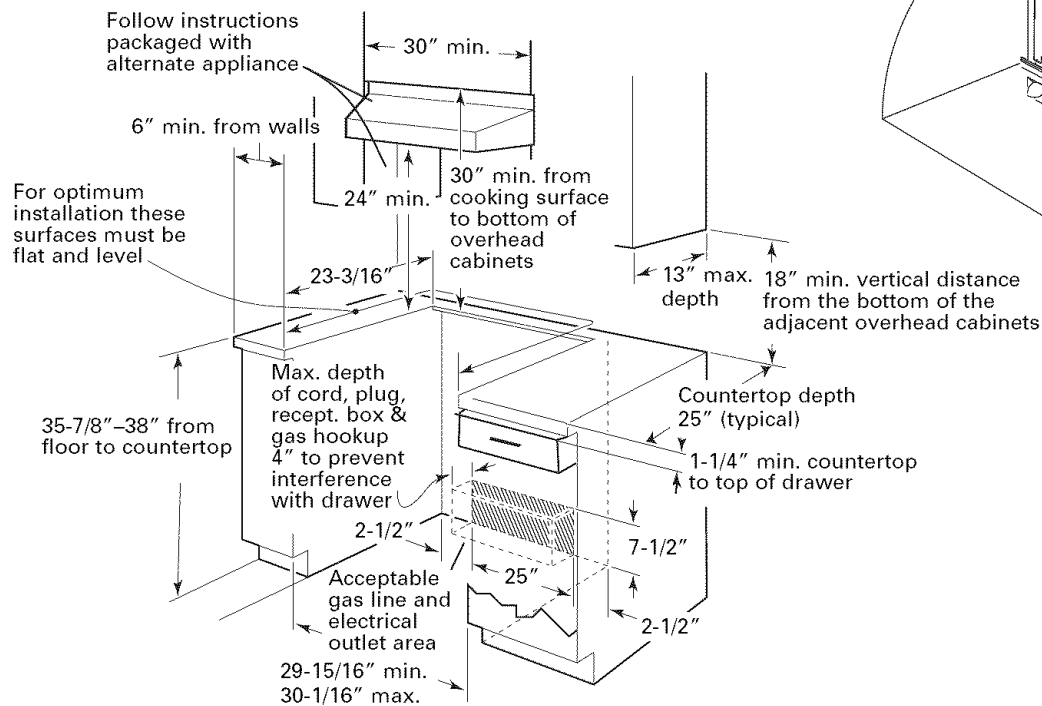
PRE-INSTALLATION CHECKLIST (CONT.)

8 PRE-INSTALLATION CUTOUT AND REQUIRED CLEARANCES

If cabinets are placed less than 30" above the range, see Alternate Construction, Step 19F, on page 16.

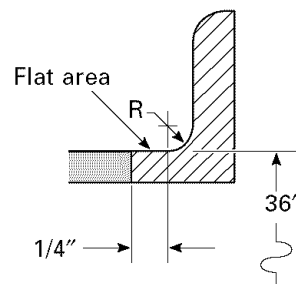
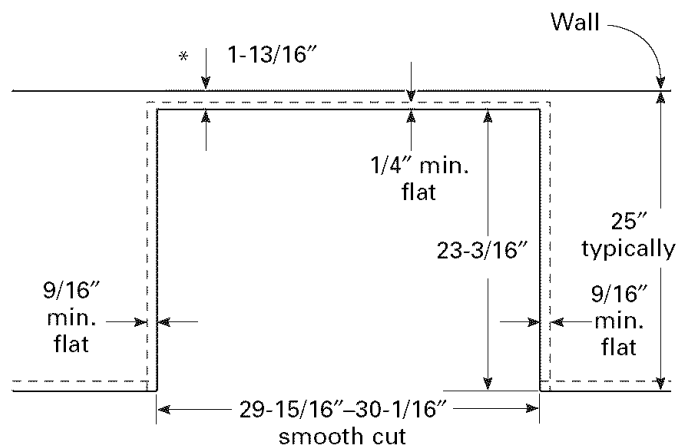
NOTE: Product meets ANSI Z21.1 requirements for 0" clearance to back and side walls below the cooktop.

Wall coverings, counters and cabinets around range must withstand heat (up to 194°F) generated by the range.



9 STANDARD INSTALLATION

If the construction of your cabinet cannot provide a 1/4" flat area at the back of the countertop opening, consider changing the countertop to accommodate this dimension. See Alternate Construction section.



*NOTE: A 1-1/2" minimum space must be maintained between the rear edge of the cooktop and the rear wall above the cooktop.

ELECTRICAL CONNECTIONS

10 INSTALLATION—ELECTRICAL CONNECTIONS

- A** Because of potential safety hazards under certain conditions, we strongly recommend against the use of an extension cord. However, if you still elect to use an extension cord, it is absolutely necessary that it is a UL listed 3-wire grounding-type appliance extension cord and that the current carrying rating of the cord in amperes is equivalent to or greater than the branch circuit rating. Such extension cords are obtainable through your local appliance dealer.

IMPORTANT: (Please read carefully) FOR PERSONAL SAFETY, THIS APPLIANCE MUST BE PROPERLY GROUNDED.

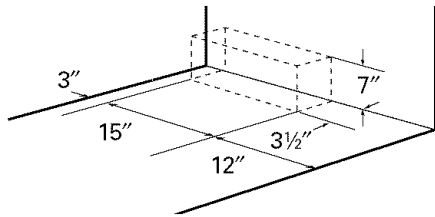
- B** An adequate electrical supply and outlet must be used to operate the electrical parts of your range.
- The power cord of this appliance is equipped with a three-prong (grounding) plug which must be used with a properly grounded three-hole outlet with standard 120 Volt, 60 cycle AC household current.
 - When a standard two-prong wall receptacle is encountered, it is the personal responsibility and obligation of the customer to have it replaced with a properly grounded three-prong wall receptacle by a qualified electrician.

Do not under any circumstances cut or remove grounding prong from the range cord. Failure to provide proper ground may create a hazardous condition.

Installation Instructions

GAS CONNECTIONS

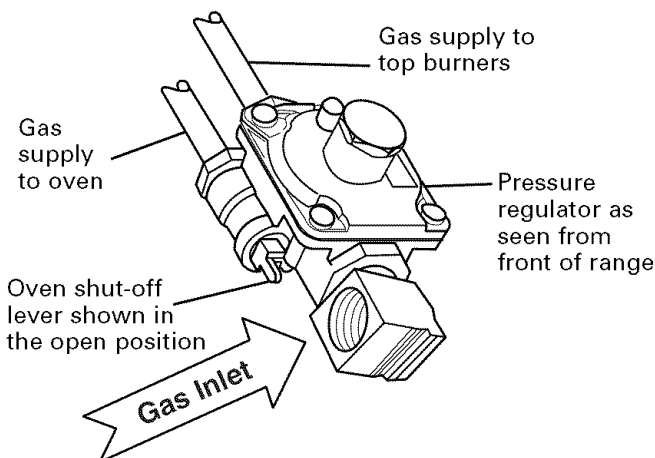
11 MAKING THE CONNECTIONS



- A** Install a manual shut-off valve in the gas supply line in an easily accessible location.
- B** Know how and where to shut off the gas supply to the range.
- C** Shut off gas supply before removing an old range. Leave it off until hookup of new range is finished.
- D** Because solid pipe restricts moving the range, we recommend use of a C.S.A. certified flexible metal appliance connector.

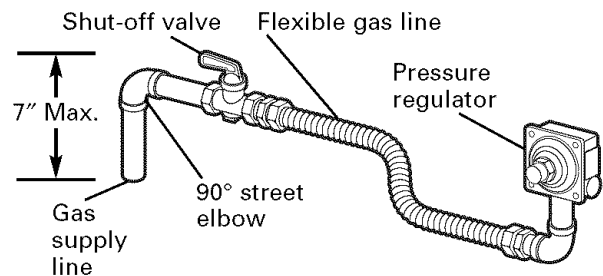
⚠ WARNING: Never reuse old flexible connectors. The use of old flexible connectors can cause gas leaks and personal injury. Always use new flexible connectors when installing a gas appliance.

- E** Before making gas connections, make sure that the oven shut-off lever (visible at the back of range) is in the open position.



11 MAKING THE CONNECTIONS (cont.)

- F** Install 1/2" flare union adaptor to the 1/2" NPT elbow on pressure regulator.
- G** Connect flexible appliance connector to flare union.
- H** Move range into approximate position and connect flexible connector to gas supply line with proper flare union adaptor.



- I** To prevent gas leaks, put a pipe joint sealant or Teflon® tape on all male threads. **NOTE:** Make sure sealant or tape is compatible with Natural and LP gases.
- J** When you are finished making connections, be sure that all range knobs are turned to OFF before you open the main gas supply valve.

⚠ WARNING: Do not use a flame to check for gas leaks. Use liquid leak detector at all joints and connections to check for leaks in the system.

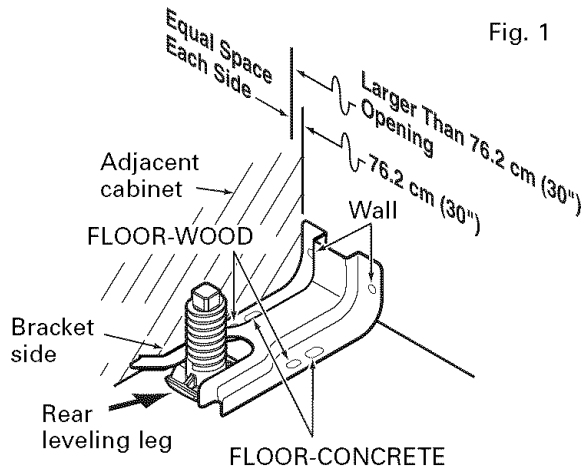
Installation Instructions

INSTALL THE RANGE

12 INSTALL THE ANTI-TIP BRACKET

A LOCATE THE BRACKET

- Decide whether the bracket will be installed on the right or left side of the range opening.
- Place the bracket as shown in Fig. 1.



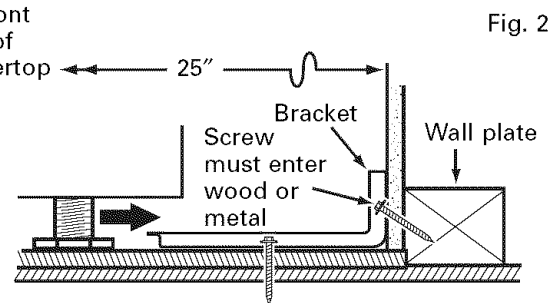
12 INSTALL THE ANTI-TIP BRACKET (cont.)

B INSTALL THE BRACKET IN WOOD OR CONCRETE

INSTALLATION—WOOD CONSTRUCTIONS

- Locate the centers of the 4 holes identified in Fig. 1 as Floor-Wood and Wall.
- Drill a 1/8" pilot hole through the pre-marked areas. Note the angle of the wall screw in Fig. 2.
- Mount the Anti-Tip bracket with the 4 screws provided.

Top front edge of countertop



INSTALLATION—CONCRETE CONSTRUCTIONS

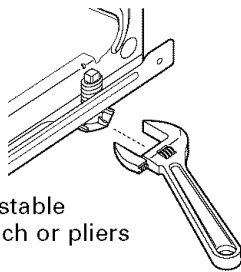
- For concrete installation, you will need two 1/4" x 1-1/2" lag screws and two sleeve anchors.
- Locate the center of the 4 holes identified in Fig. 1 as Floor—Concrete and Wall. Drill the recommended size holes in each.
- Install the sleeve anchors into the predrilled concrete holes and install the lag and wall screws through the Anti-Tip bracket. Make sure the screws are securely tightened.

Installation Instructions

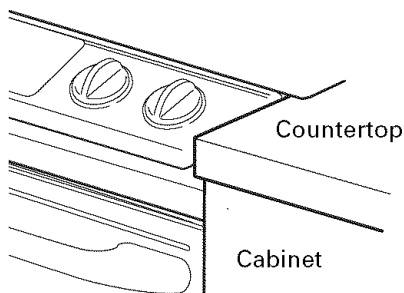
INSTALL THE RANGE (CONT.)

13 SLIDE RANGE INTO OPENING

- A** Position the range in front of the cabinet opening.
- B** Make sure that the cooktop edges that overhang the countertop clear the countertop. If necessary, raise the unit by lowering the leveling legs.
- C** Push while lifting the range into the opening, until the range is within 2" of engaging the anti-tip bracket.
- D** Remove the protective trim from the side of the cooktop (if provided).
- E** Using the adjustable pliers or wrench, carefully screw in the back leveling leg until the cooktop overhang comes to rest on the countertop.

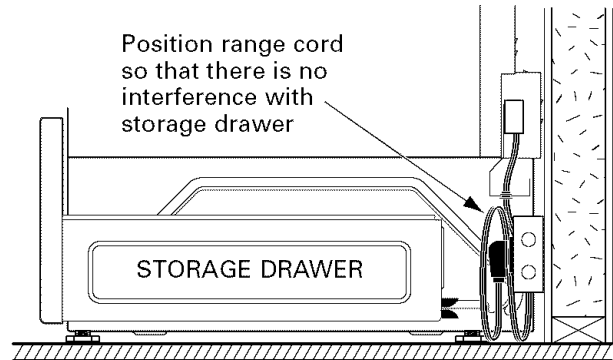


- F** Carefully screw in the front two leveling legs (similar to Step E) until the cooktop overhang touches the countertop.
- G** Carefully push the range into the opening until the anti-tip bracket engages and the vertical sides are flush with the cabinet.



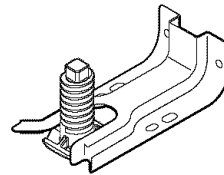
13 SLIDE RANGE INTO OPENING (cont.)

- H** Plug the range cord into the receptacle. Locate the cord in the back of the range in a manner that it will not touch or be moved by the drawer.



14 FINAL CHECK OF ANTI-TIP BRACKET

When installation is complete and the range is in place, check to be sure that the rear leveling leg is fully inserted into the slot of the Anti-Tip Bracket.

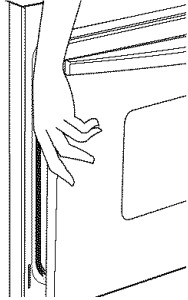


Installation Instructions

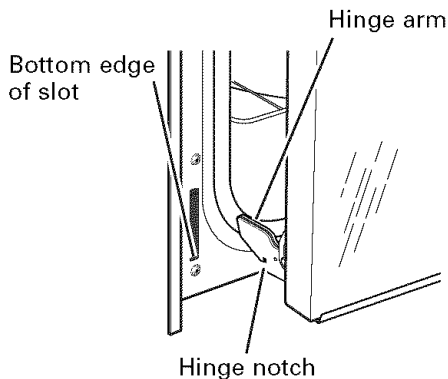
15 REPLACE THE OVEN DOOR

NOTE: The oven door is heavy. You may need help lifting the door high enough to slide it into the hinge slots. Do not lift the door by the handle.

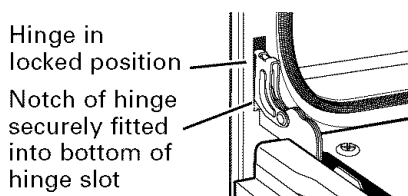
- A** Lift the oven door by placing one hand on each side. The door is heavy, so you may need help. Do not lift the door by the handle.



- B** With the door at the same angle as the removal position (halfway between the closed and broil stop position), seat the notch of the hinge arm into the bottom edge of the hinge slot. The notch of the hinge arm must be fully seated into the bottom of the slot.



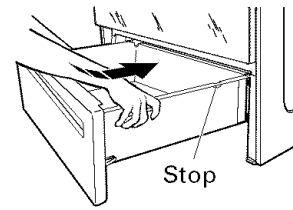
- C** Fully open the door until it is parallel to the floor. If the door will not fully open, the notch in the hinge is not seated correctly in the bottom edge of the slot. Repeat steps A and B if necessary.
- D** Push the hinge locks up against the front frame of the oven cavity, to the locked position.



- E** Close the oven door.

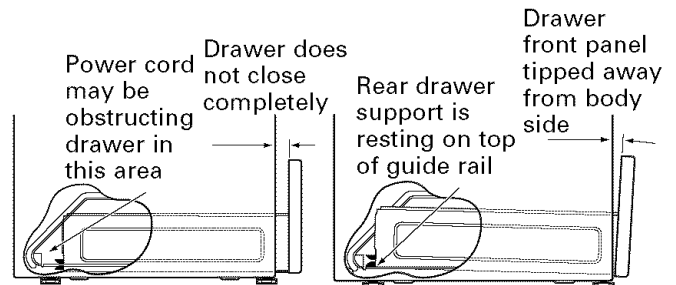
16 REPLACE THE STORAGE DRAWER

- A** Place the drawer rail on the guides.
- B** Push the drawer in until it stops.
- C** Lift the front of the drawer and push in until the stops clear the guides.
- D** Lower the front of the drawer and push in until it closes.



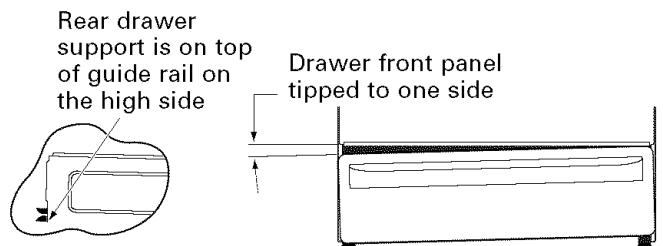
SPECIAL INSTRUCTIONS IF YOU ARE HAVING PROBLEMS WHILE REPLACING THE STORAGE DRAWER

If Drawer Won't Close:



Remove and replace, making sure the power cord is not obstructing the drawer and/or the rail is in the guide.

If Drawer is Crooked:



Remove and replace, making sure the rail is in the guide.

Installation Instructions

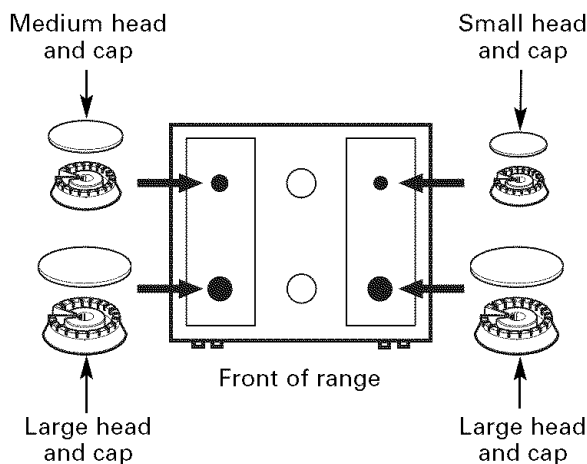
INSTALL THE RANGE (CONT.)

17 COOKTOP BURNERS

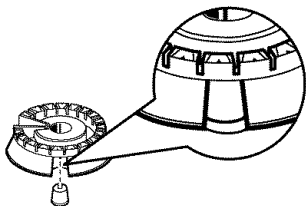
A ASSEMBLE THE BURNERS

▲ CAUTION: The electrode of the spark igniter is exposed. Be careful not to snag the electrode of the spark igniter with a cleaning cloth. Damage to the igniter could occur. Be careful not to turn on any cooktop controls while cleaning. A slight electrical shock might result, which could cause you to knock over hot cookware.

- a. Place burner heads over the electrodes on the cooktop, in the correct locations according to their sizes.



- b. Make sure the slot in the burner head is positioned over the electrode.



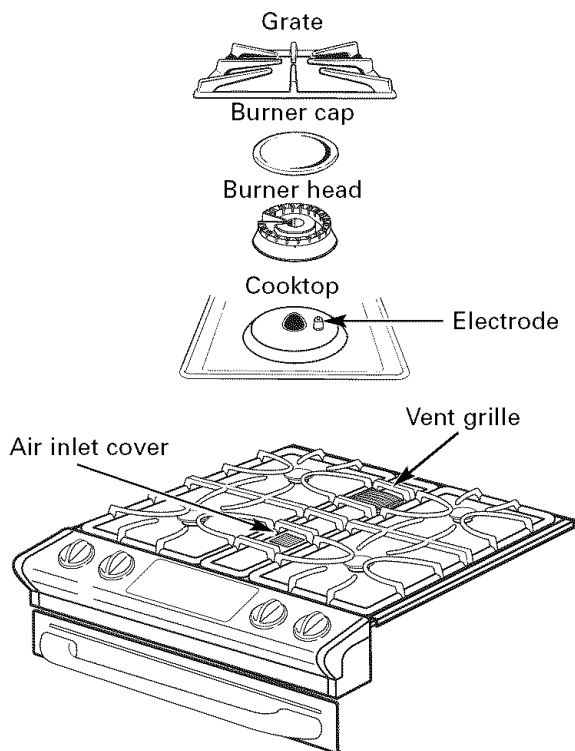
17 COOKTOP BURNERS (cont.)

A ASSEMBLE THE BURNERS (cont.)

- c. Place the matching size caps onto the heads.

Make sure that the heads and caps are placed in the correct locations.

Place the vent grille, grates and air inlet cover onto the cooktop, making sure that the grates lock the vent grille in place.



B CHECK FOR LEAKS

Turn the gas supply on and use a liquid leak detector (soap solution) at all joints and connections to check for leaks. **Do not use an open flame to look for leaks.** Be sure all leaks are stopped before lighting burners.

Installation Instructions

C PRESSURE TEST INFORMATION

The maximum allowable supply pressure for the regulator is 14" W.C. The minimum supply pressure needed to check the regulator setting is 7" W.C. for natural gas and 10" W.C. for LP gas.

▲WARNING: The range and its individual shut-off valve must be disconnected from the gas supply piping system during any pressure testing of the gas supply system at test pressures of more than 1/2 psig (pounds per square inch gauge). The range must be isolated from the gas supply piping system by closing its individual shut-off valve during any pressure testing of the gas supply system at test pressures equal to or greater than 1/2 psig. NOTE: 1/2 psig = 13.855" w.c.

D CHECK THE IGNITERS

Operation of the electric igniters should be checked after the cooktop and supply line have been carefully checked for leaks and the cooktop has been connected to the electrical power.

- a. Turn on gas.
- b. Push and turn a burner valve to the LITE position.
 - The burner valve should light when gas is available to the burner.
 - Once the burner lights, it should be turned out of the LITE position.
- c. Try each valve separately until all burners have been checked.

E BURNER IGNITION

Cooktop Spark Ignition—When you turn the cooktop knob to LITE, the spark igniter makes a series of electric sparks (ticking sounds) which light the burner. During a power failure the burners will not light automatically. In an emergency, a cooktop burner may be lit with a match by following the steps below.

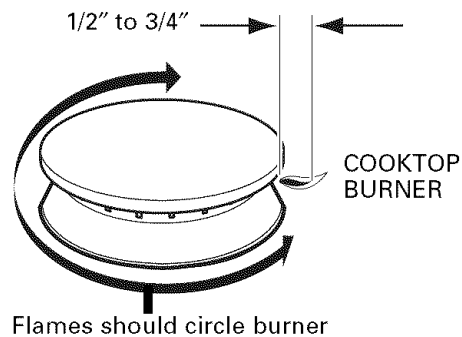
▲WARNING: Lighting gas burners with a match is dangerous. You should match light the cooktop burners only in an emergency.

- a. Light a match and hold the flame near the burner you want to light. Wooden matches work best.
- b. Push in and turn the control knob slowly. Be sure you are turning the correct knob for the burner you are lighting.

NOTE: If the burner does not light within five seconds, turn the knob off and wait five minutes before trying again.

F BURNER FLAMES

Turn each burner on. Turn each burner knob to the high position. Flames should be blue in color with little or no trace of yellow. The burner flames should not flutter or blow away from the burner. The inner cone of the flame should be between 1/2" and 3/4" long. If the burner flames are yellow in color or not the proper length, call GE Service.



Burners should be checked frequently.

▲WARNING: If you attempt to measure the inner cone of the flame, please use caution. Burns could result.

Installation Instructions

INSTALL THE RANGE (CONT.)

18 BAKE AND BROIL BURNERS

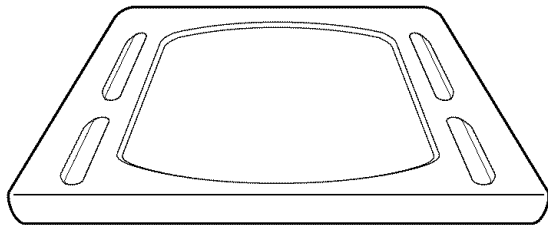
If the bake and/or broil burners have lifting or "lazy" (floating) flames or you have a yellow flame, perform the following procedures:

A CHECKING THE OVEN BURNERS

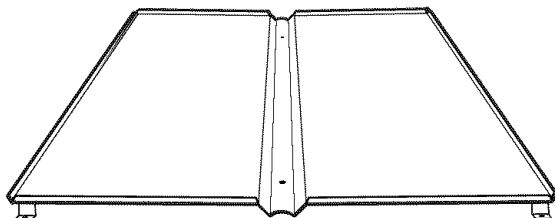
To check the bake burner flames with the oven door in the closed position:

1. Open the door and remove it.
2. Remove the oven racks.
3. Remove the oven bottom.

Lift the oven bottom up at rear and pull forward.



4. Remove the four screws holding the burner baffle (flame spreader) to the burner box.



5. Install and close the oven door.
6. Turn on the bake burner.

As you watch the flames, check the following:

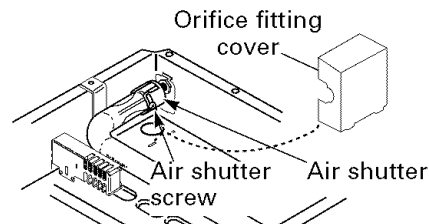
- Burner flames should not flutter or blow away from the burner.
- They should be blue in color with no trace of yellow.

The broil burner flames may be seen without removing the racks, oven bottom or bake baffles.

B ADJUST THE AIR SHUTTER

BAKE BURNER

1. Remove the orifice fitting cover.
2. Use a screwdriver to loosen the air shutter screw.
3. Adjust the air shutter to 11/32".
4. Retighten the air shutter screw.



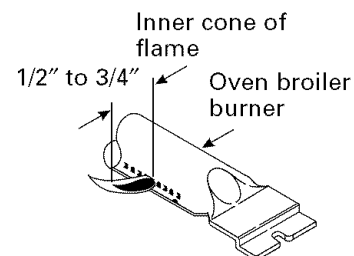
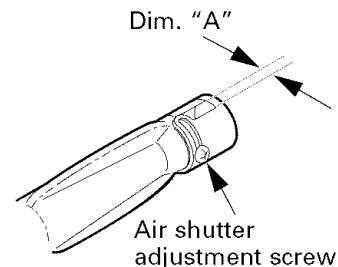
WHAT ADJUSTMENT TO MAKE:

- a. If the flames are yellow, open the air shutter more than the original setting.
- b. If the flames blow away or fluttered from the burner, close the air shutter more than the original setting.

Burners should be checked frequently.

BROIL BURNER

1. The broil burner is located and accessible in the top rear of the oven.
2. Using a screwdriver, loosen the air shutter adjustment screw.
3. Make the air shutter adjustment.
4. Retighten the air shutter screw.
5. Check the inner cone of the flame. It should be between 1/2" and 3/4" long for the oven bake and broil burners.



WHEN ALL ADJUSTMENTS ARE MADE AND THE RESULTS ARE SATISFACTORY

1. Replace the orifice fitting cover.
2. Replace the burner baffle (flame spreader) and screws.
3. Replace the oven bottom.
4. Replace the oven door.

Installation Instructions

19 ALTERNATE CONSTRUCTION PREPARATION

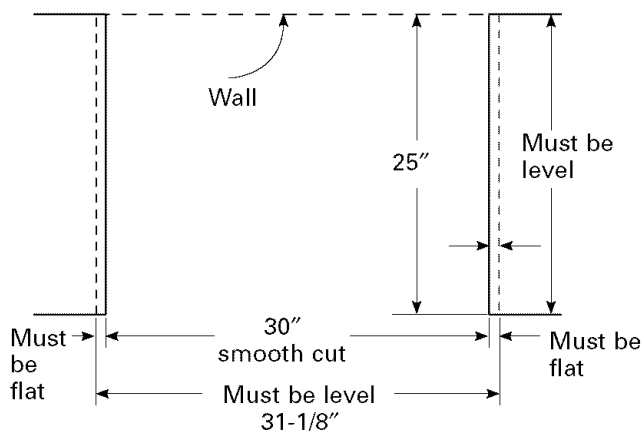
A OPTIONAL MAINTOP FILLER OR BACKGUARD KIT

If counter opening extends to the wall, it will require Maintop Filler Kit (supplied with the range) or Backguard Kit (JXS32XX) to close the gap.

NOTE: If the countertop is greater than 25", it will show a gap between the backguard and wall or between filler kit and the wall.

If the countertop is less than 25", a gap will occur between the countertop front and the control panel ends (see Step 13G).

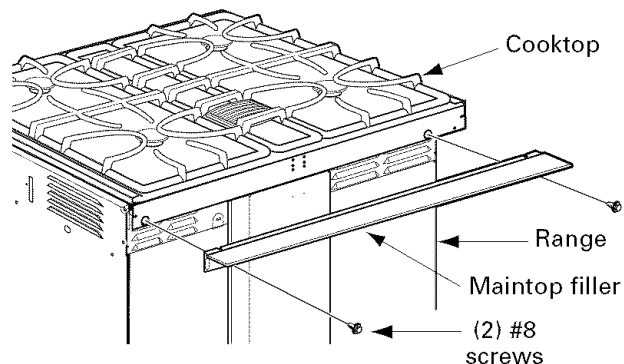
If you are using the optional backguard kit, refer to the backguard kit instructions for installation details.



If you use the filler kit, place the metal filler piece supplied with the range to the back of the range as shown in the figure below. Start the 2 screws into the upper holes at the outside rear of the range above the louvers and through the slots in the trim, holding the filler piece centered on the maintop frame and pushing upward to close the gap between the bottom of the cooktop and the filler trim.

When the trim is set in the proper position, tighten the 2 mounting screws. The top of the trim should be located below the cooktop edge to prevent pots, pans and skillets from damaging the painted parts.

Refer to the Standard Installation of the Range on page 6.



B FOR NON-BUILT-IN INSTALLATION (END OF CABINET LOCATION)

When installing the range at the end of a cabinet section which will expose the unfinished side of the range, use Body Side Kit (JXS77XX). Refer to the kit instructions for installation details.

C ISLAND INSTALLATION

Attach the Anti-Tip bracket per instructions in Step 12, making sure that the rear of the bracket is 25" from the front of the countertop.

Be aware that the screws provided are long and may penetrate through the back of the island cabinets. In this event, use shorter screws (not provided) or the screws provided should be used in the floor (see Step 12B for Wood/Concrete Floor Installation).

Do not use Backguard Kit JXS32XX.

Installation Instructions

INSTALL THE RANGE (CONT.)

19 ALTERNATE CONSTRUCTION PREPARATION (cont.)

D FOR CABINET OPENINGS APPROXIMATELY 30-3/8"

If range is installed in cabinet opening approximately 30-3/8", the Vertical Side Trim Kit (JXS86XX) should be used to cover gaps between range sides and cabinet. Refer to the kit instructions for installation details.

E CABINETS OVER THE RANGE LESS THAN 30"

If a 30" clearance between cooking surface and overhead combustible material or metal cabinets cannot be maintained, protect the underside of the cabinets above the cooktop with not less than 1/4" insulating millboard covered with sheet metal not less than 0.0122" thick.

20 OPERATION CHECKLIST

- Double check to make sure everything in this guide has been completed. Rechecking steps will ensure safe use of the cooktop.
- Make sure all controls are left in the OFF position.
- Make sure the flow of combustion and ventilation air to the cooktop is unobstructed.
- The serial plate for your Range is located under the oven door above the storage area. In addition to the model and serial numbers, it tells you the ratings of the burners and the type of fuel and pressure the cooktop was adjusted for when it left the factory.
- When ordering parts, always include the serial number and model number to ensure proper replacement parts.
- **Recheck Steps: Double check to make sure everything in this guide has been completed. Rechecking steps will ensure safe use of the Range.**

Please see L.P. conversion instructions supplied with this range when L.P. Gas is used.

NOTE: Instructions are mounted on regulator bracket.

IN SOME CASES

- A** With L.P. gas, some yellow tipping on the outer cone is normal.
- B** Foreign particles in the gas line may cause an orange flame at first, but this will soon disappear.

SPECIAL NOTE:

To convert the oven back to natural gas, reverse the instructions given in making L.P. Adjustments.



Once the conversion is complete and checked ok, fill out the LP sticker and include your name, organization and the date the conversion was made. Apply the sticker near the regulator to alert others in the future that this appliance has been converted to LP gas. If converting back to natural gas from LP, please remove the sticker so others know the appliance is set to use natural gas.

ADJUSTING LOW FLAME SETTING ON COOKTOP BURNERS

Low setting adjustments must be made with two other burners in operation on a medium setting. This procedure prevents the low flame from being set too low, resulting in the flame being extinguished when other burners are turned on.

- A** Remove the valve control knobs.
- B** Through the opening, locate the valve bypass screw located on the lower right side of the valves.
- C** Using a small screwdriver, screw down the bypass screw fully in a clockwise rotation.

