

Operator's Manual



25cc/1.5 cu.in. 2-Cycle

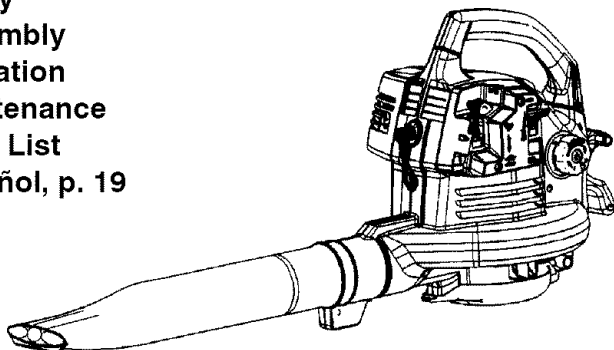
205 MPH/410 CFM

GASOLINE POWERED BLOWER/VAC

Model No.

358.794964

- **Safety**
- **Assembly**
- **Operation**
- **Maintenance**
- **Parts List**
- **Español, p. 19**



WARNING:

Read and follow all Safety Rules and Operating Instructions before first use of this product.



For answers to your questions about this product:
Call 7 am-7 pm, Mon.-Sat., or 10 am-7 pm, Sun.

1-800-235-5878

(Hours listed are Central Time)

Sears, Roebuck and Co., Hoffman Estates, IL 60179 U.S.A.

545133463 Rev. 2 7/6/07 BRW

TABLE OF CONTENTS

Warranty Statement	2	Storage	12
Identification of Safety Symbols	2	Troubleshooting Table	13
Safety Rules	3	Emissions Statement	14
Assembly	6	Parts List	16
Operation	8	Spanish	19
Maintenance	11	Parts and Ordering	Back Cover

WARRANTY STATEMENT

TWO YEAR FULL WARRANTY ON CRAFTSMAN® GAS BLOWER

When used and maintained according to the operator's manual, if this product fails due to a defect in material or workmanship within two (2) years from the date of purchase, return it to any Sears store, Sears Service Center, or other Craftsman outlet in the United States for free repair (or replacement if repair proves impossible).

This warranty excludes spark plug and air cleaner, which are expendable parts that can wear out from normal use in less than two years.

This warranty applies for only 30 days from the date of purchase if this product is used for commercial or rental purposes.

This warranty gives you specific legal rights, and you may also have other rights which vary from state to state.

Sears, Roebuck and Co., Hoffman Estates, IL 60179

IDENTIFICATION OF SAFETY SYMBOLS



WARNING: This unit can be dangerous! Careless or improper use can cause serious injury.



Read your operator's manual carefully until you completely understand and can follow all warnings and safety rules before operating the unit. Failure to do so can result in serious injury. Save operator's manual.

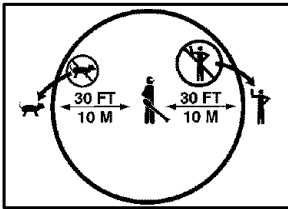


WARNING: The muffler is very hot during and after use. Do not touch the muffler, muffler guard, or surrounding surfaces, or allow combustible material such as dry grass or fuel to do so.



The blower can throw objects violently. You can be blinded or injured. Always wear hearing protection and safety glasses marked Z87. Always wear heavy, long pants, long sleeves, boots and gloves.

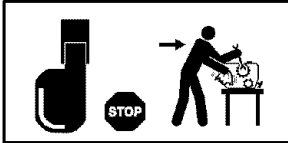
IDENTIFICATION OF SAFETY SYMBOLS



Hazard zone for thrown objects. Keep children, bystanders, and animals away from work area a minimum of 30 feet (10 meters) when starting or operating unit. Do not point blower nozzle in the direction of people or pets.



Secure hair above shoulder length. Do not wear jewelry, loose clothing, or clothing with loosing hanging straps, ties, tassels, etc. They can be caught in moving parts.



Always stop unit and disconnect spark plug before cleaning or servicing.



⚠ WARNING: Stop the engine before opening the vacuum inlet door. The engine must be stopped and the impeller blades no longer turning to avoid serious injury from the rotating blades. Gently tilt the handle of the screwdriver toward the back of the unit to release the latch while pulling up on the vacuum inlet cover with your other hand.



When using the vacuum attachment, the unit is designed to pick up dry material such as leaves, grass, small twigs, and bits of paper. Do not vacuum stones, gravel, metal, broken glass, etc., to avoid severe damage to the impeller.



⚠ WARNING: Fire hazard. Never mix, pour, or store gasoline or use the unit near a flame or sparks (including smoking, open flames, or work that can cause sparks).

SAFETY RULES

⚠ WARNING: Failure to follow all Safety Rules and Precautions can result in serious injury.

KNOW YOUR UNIT

- Read your operator's manual carefully until you completely understand and can follow all warnings and safety rules before operating the unit.
- Restrict unit to users who understand and will follow all warnings and safety rules in this manual.

⚠ WARNING: Inspect area before starting unit. Remove all debris and hard objects such as rocks, glass, wire, etc. that can ricochet, be thrown, or otherwise cause injury or damage during operation.

Use your unit as a blower for:

- Sweeping debris or grass clippings from driveways, sidewalks, patios, etc.
- Blowing grass clippings, straw, or leaves into piles, around joints, or between bricks.

Use your unit as a vacuum for:

- Picking up dry material such as leaves, grass, small twigs, and bits of paper.
- For best results during vacuum use, operate your unit at high speed.
- Move slowly back and forth over the material as you vacuum. Avoid forcing the unit into a pile of debris as this can clog the unit.
- Keep the vacuum tube about an inch above the ground for best results.

PLAN AHEAD

- Always wear eye protection when operating, servicing, or performing maintenance on unit. Wearing eye protection will help to prevent rocks or debris from being blown or ricocheting into eyes and face which can result in blindness and/or serious injury. Eye protection should be marked Z87.
- Always wear foot protection. Do not go barefoot or wear sandals.
- Always wear respirator or face mask when working with unit in dusty environments.
- Secure hair above shoulder length. Secure or remove jewelry, loose clothing, or clothing with loosely hanging straps, ties, tassels, etc. They can be caught in moving parts.
- Do not operate unit when you are tired, ill, upset, or if you are under the influence of alcohol, drugs, or medication.
- Keep children, bystanders, and animals away from work area a minimum of 30 feet (10 meters) when starting or operating unit. Do not point blower nozzle in the direction of people or pets.

HANDLE FUEL WITH CAUTION, IT IS HIGHLY FLAMMABLE

- Eliminate all sources of sparks or flame (including smoking, open flames, or work that can cause

sparks) in the areas where fuel is mixed, poured, or stored.

- Mix and pour fuel in an outdoor area; store fuel in a cool, dry, well ventilated place; use an approved, marked container for all fuel purposes.
- Do not smoke while handling fuel or while operating the unit.
- Make sure the unit is properly assembled and in good operating condition.
- Do not fill fuel tank while engine is running.
- Avoid spilling fuel or oil. Wipe up fuel spills before starting engine.
- Move at least 10 feet (3 meters) away from fuel and fueling site before starting engine.
- Always store gasoline in a container approved for flammable liquids.


OPERATE YOUR UNIT SAFELY

⚠ WARNING: Stop the engine before opening the vacuum inlet door. The engine must be stopped and the impeller blades no longer turning to avoid serious injury from the rotating blades.

- Inspect unit before each use for worn, loose, missing, or damaged parts. Do not use until unit is in proper working order.
- Keep outside surfaces free from oil and fuel.
- Never start or run engine inside a closed room, building or other unventilated area. Breathing exhaust fumes can kill.
- To avoid static electricity shock, do not wear rubber gloves or any other insulated gloves while operating unit.
- Do not set unit on any surface except a clean, hard area while engine is running. Debris such as gravel, sand, dust, grass, etc. could be picked up by the air intake and thrown out through discharge opening, damaging unit, property, or causing serious injury to bystanders or operator.
- Avoid dangerous environments. Do not use in unventilated areas or where explosive vapors or carbon monoxide build up could be present.
- Do not overreach or use from unstable surfaces such as ladders, trees, steep slopes, rooftops, etc. Keep firm footing and balance at all times.
- Never place objects inside the blower tubes; always direct the blowing debris away from people, ani-

- mals, glass, and solid objects such as trees, automobiles, walls, etc. The force of air can cause rocks, dirt, or sticks to be thrown or to ricochet which can hurt people or animals, break glass, or cause other damage.
- Never run unit without the proper equipment attached. When using your unit as a blower, always install blower tubes. When using the optional vacuum kit, always install vacuum tubes and vacuum bag assembly. Make sure vacuum bag assembly is completely zipped.
 - Check air intake opening, blower tubes, and vacuum tubes frequently, always with engine stopped and spark plug disconnected. Keep vents and discharge tubes free of debris which can accumulate and restrict proper air flow.
 - Never place any object in air intake opening as this could restrict proper air flow and cause damage to the unit.
 - Never use for spreading chemicals, fertilizers, or other substances which may contain toxic materials.
 - To avoid spreading fire, do not use near leaf or brush fires, fireplaces, barbecue pits, ashtrays, etc.
 - Use only for jobs explained in this manual.

MAINTAIN YOUR UNIT PROPERLY

 **WARNING:** Disconnect spark plug before performing maintenance except for carburetor adjustments.

- Have all maintenance other than the recommended procedures described in the operator's manual performed by a Sears Service Center.
- Use only recommended Craftsman replacement parts; use of any other parts may void your warranty and cause damage to your unit.
- Empty fuel tank before storing the unit. Use up fuel left in carburetor by starting engine and letting it run until it stops.
- Do not use any accessory or attachment other than those recommended by manufacturer for use with your unit.

- Do not store the unit or fuel in a closed area where fuel vapors can reach sparks or an open flame from hot water heaters, electric motors or switches, furnaces, etc.
- Store in a dry area out of reach of children.

SAFETY NOTICE: Exposure to vibrations through prolonged use of gasoline powered hand tools could cause blood vessel or nerve damage in the fingers, hands, and joints of people prone to circulation disorders or abnormal swelling. Prolonged use in cold weather has been linked to blood vessel damage in otherwise healthy people. If symptoms occur such as numbness, pain, loss of strength, change in skin color or texture, or loss of feeling in the fingers, hands, or joints, discontinue the use of this tool and seek medical attention. An antivibration system does not guarantee the avoidance of these problems. Users who operate power tools on a continual and regular basis must monitor closely their physical condition and the condition of this tool.

SPECIAL NOTICE: For users on U.S. Forest Land and in some states, including California (Public Resources Codes 4442 and 4443), Idaho, Maine, Minnesota, New Jersey, Oregon, and Washington: Certain internal combustion engines operated on forest, brush, and/or grass covered land in the above areas are required to be equipped with a spark arresting screen, maintained in effective working order, or the engine must be constructed, equipped, and maintained for the prevention of fire. Check with your state or local authorities for regulations pertaining to these requirements. Failure to follow these requirements is a violation of the law. This unit is not factory equipped with a spark arresting screen; however, a spark arresting screen is available as an optional part. If a spark arresting screen is required in your area, contact Sears Service for the correct kit. The spark arresting screen, blower tubes, and nozzles must be assembled to unit to be in full compliance with regulations.

ASSEMBLY

CARTON CONTENTS

Check carton contents against the following list.

Model 358.794964

- Blower
- Blower tube
- Elbow tube
- Vacuum bag
- Upper vacuum tube
- Lower vacuum tube
- 2-Cycle Engine Oil

NOTE: It is normal for the fuel filter to rattle in the empty fuel tank.

ASSEMBLY

⚠ WARNING: Stop engine and be sure the impeller blades have stopped turning before opening the vacuum inlet door or attempting to insert or remove the vacuum tubes. The rotating blades can cause serious injury.

⚠ WARNING: If you receive your unit assembled, repeat all steps to ensure your unit is properly assembled and all fasteners are secure.

- A standard screwdriver is required for assembly.

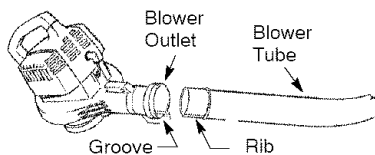
BLOWER ASSEMBLY

BLOWER TUBE ASSEMBLY

If you have already assembled your unit for use as a vacuum, remove the vacuum tubes and collection bag.

1. Align the rib on the blower tube with the groove in the blower outlet; slide the tube into place.

NOTE: Knob must be loose enough to allow blower tube to be inserted in blower outlet. Loosen knob by turning counterclockwise.

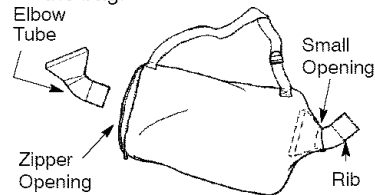


2. Secure the tube by turning the knob clockwise.
3. To remove the tube, turn the knob counterclockwise to loosen the tube; remove the tube.

VACUUM ASSEMBLY

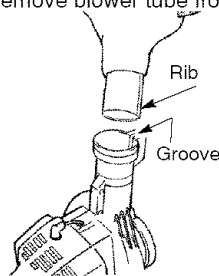
VACUUM BAG ASSEMBLY

1. Open the zipper on the vacuum bag and insert the elbow tube.
2. Push the small end of the elbow tube through the small opening in the bag.



NOTE: Make sure edge of the small opening is flush against the flared area of the elbow tube, and the rib on the elbow tube is on the bottom.

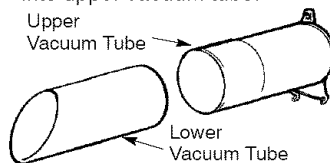
3. Close the zipper on the bag. Make sure the zipper is closed completely.
4. Remove blower tube from engine.



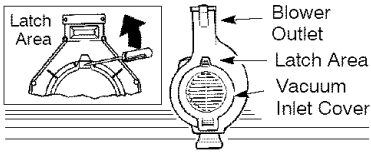
5. Insert the elbow tube into the blower outlet. Make sure elbow tube is aligned with the blower outlet groove.
6. Turn knob clockwise to secure elbow tube.

VACUUM TUBE ASSEMBLY

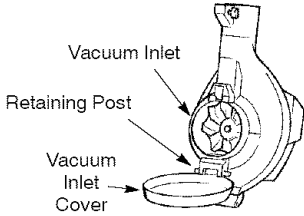
1. Align the lower vacuum tube as shown. Push lower vacuum tube into upper vacuum tube.



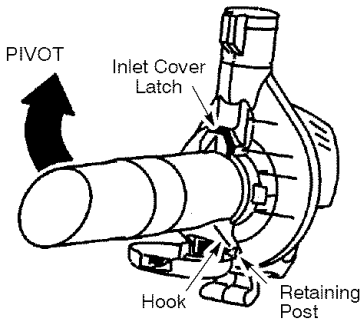
2. Insert the tip of a screwdriver into the latch area of the vacuum inlet.



3. Gently tilt the handle of the screwdriver toward the back of the unit to release the latch while pulling up on the vacuum inlet cover with your other hand.
4. Hold the vacuum inlet cover open until upper vacuum tube is installed.



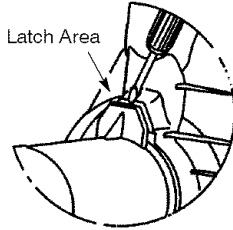
5. Place the hooks of the upper vacuum tube on the retaining posts of the unit.
6. Pivot the tube until it is secured to the blower unit by the vacuum inlet latch.



HOW TO CONVERT UNIT FROM VACUUM USE TO BLOWER USE

1. Remove the vacuum tubes by inserting the tip of a screwdriver into the latch area of the vacuum inlet.

2. Gently tilt handle of screwdriver toward the back of the unit to release the latch while pulling up on the upper vacuum tube with your other hand.



3. Remove the vacuum bag.
4. Close the vacuum inlet cover and make sure it is latched closed.
5. Reinstall the blower tube (see BLOWER TUBE ASSEMBLY).

SHOULDER STRAP ADJUSTMENT (for vacuum use only)

1. Hold the unit as shown with the muffler side facing away from your body and clothes.
2. Pass the shoulder strap over your head and onto your right shoulder.
3. Extend your left arm toward the rear of the vacuum bag.
4. Adjust shoulder strap until the vacuum bag/shoulder strap seam lies between your thumb and index finger.
5. Make sure air flows freely from the elbow tube into bag. If bag is kinked, the unit will not operate properly.



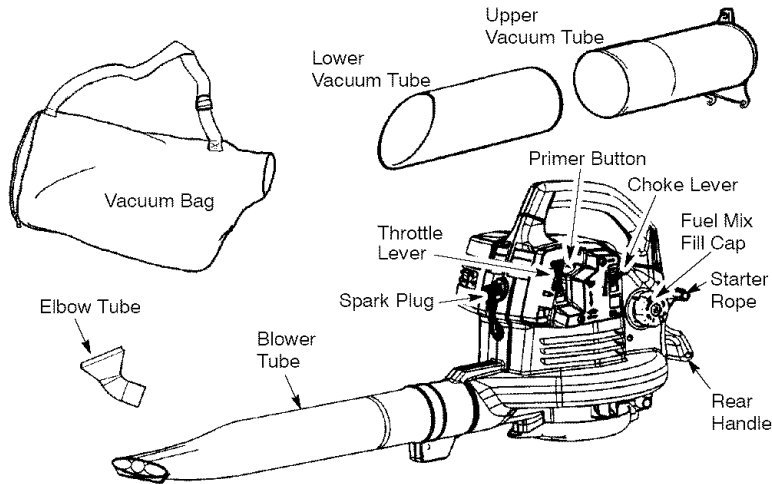
OPERATION

KNOW YOUR BLOWER


READ THIS OPERATOR'S MANUAL AND SAFETY RULES BEFORE OPERATING YOUR UNIT. Compare the illustrations with your unit to familiarize yourself with the location of the various controls and adjustments. Save this manual for future reference.


MULCHING BLADES

Your blower is equipped with mulching blades as a standard feature. When using the optional vacuum attachment, the mulching blades automatically reduce debris at a ratio of up to 16:1.



THROTTLE LEVER

The THROTTLE LEVER is used to select the desired engine speed and to stop the engine. Move the throttle lever to the  position for full speed operation.

Move the throttle lever to the  position for idle speed. To stop the engine, move the throttle lever to the STOP position.

PRIMER BUTTON

The PRIMER BUTTON removes air from the carburetor and fuel lines and fills them with fuel. This allows you to start

the engine with fewer pulls on the starter rope. Activate primer button by pressing it and allowing it to return to its original position.

CHOKE LEVER

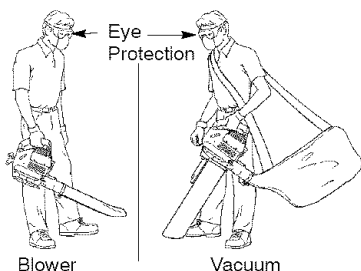
The CHOKE helps to supply fuel to the engine to aid in cold starting. Activate the choke by moving the choke lever to the FULL CHOKE position. After engine attempts to start, move the choke lever to the HALF CHOKE position. Once engine starts, move choke lever to the RUN position.

OPERATING TIPS

- While vacuuming or blowing debris, hold the unit with the muffler side facing away from your body and clothes (see OPERATING POSITION below).
- To reduce the risk of hearing loss associated with sound level(s), hearing protection is required.
- To reduce the risk of injury associated with contacting rotating parts, stop the engine before installing or removing attachments. Do not operate without guard(s) in place.
- Operate power equipment only at reasonable hours—not early in the morning or late at night when people might be disturbed. Comply with times listed in local ordinances. Usual recommendations are 9:00 a.m. to 5:00 p.m., Monday through Saturday.
- To reduce noise levels, limit the number of pieces of equipment used at any one time.
- To reduce noise levels, operate power blowers at the lowest possible throttle speed to do the job.

- Use rakes and brooms to loosen debris before blowing.
- In dusty conditions, slightly dampen surfaces or use a mister attachment when water is available.
- Conserve water by using power blowers instead of hoses for many lawn and garden applications, including areas such as gutters, screens, patios, grills, porches, and gardens.
- Watch out for children, pets, open windows, or freshly washed cars. Blow debris away safely.
- Use the full blower nozzle extension so the air stream can work close to the ground.
- After using blowers and other equipment, **CLEAN UP!** Dispose of debris in trash receptacles.

OPERATING POSITION



BEFORE STARTING ENGINE

⚠ WARNING: Be sure to read the fuel information in the safety rules before you begin. If you do not understand the safety rules, do not attempt to fuel your unit. Call 1-800-235-5878.

FUELING ENGINE

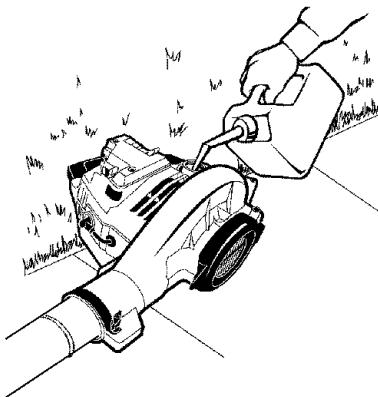
⚠ WARNING: Remove fuel cap slowly when refueling. This engine is certified to operate on unleaded gasoline. Before operation, gasoline must be mixed with a good quality synthetic 2-cycle air-cooled engine oil. We recommend Craftsman brand synthetic oil. Mix gasoline and oil at a ratio of 40:1. A 40:1 ratio is obtained by mixing 3.2 ounces of oil with 1 gallon of unleaded gasoline. Included with this blower is a 3.2 ounce container of oil. Pour the entire contents of this container into 1 gallon of gasoline to achieve the proper fuel mixture. **DO NOT USE** automotive oil or boat oil. These oils will cause engine damage. When mixing

fuel, follow instructions printed on container. Once oil is added to gasoline, shake container momentarily to assure that the fuel is thoroughly mixed. Always read and follow the safety rules relating to fuel before fueling your unit.

IMPORTANT

Experience indicates that alcohol blended fuels (called gasohol or using ethanol or methanol) can attract moisture which leads to separation and formation of acids during storage. Acidic gas can damage the fuel system of an engine while in storage. To avoid engine problems, empty the fuel system before storage for 30 days or longer. Drain the gas tank, start the engine and let it run until the fuel lines and carburetor are empty. Use fresh fuel next season. Never use engine or carburetor cleaner products in the fuel tank or permanent damage may occur. Fuel stabilizer is an acceptable alternative in minimizing the formation of fuel gum deposits during storage. Craftsman brand oil is already blended with fuel stabilizer. See the **STORAGE** section for additional information.

NOTE: Unit must be placed on its side when adding fuel (see illustration below).



HOW TO STOP YOUR ENGINE

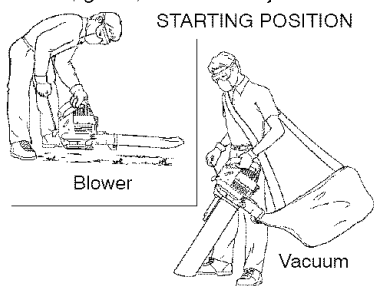
- To stop the engine, move the throttle lever to the **STOP** position.

HOW TO START THE ENGINE

⚠ WARNING: You **MUST** make sure the tubes are secure before using the unit.

- Fuel engine. Move at least 10 feet (3 meters) away from the fueling site.

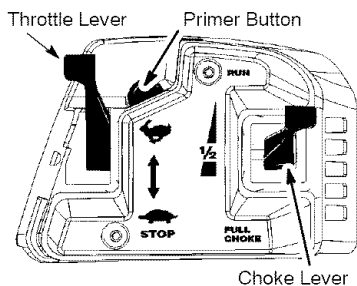
- Hold the unit in the starting position as shown. Make sure the blower end is directed away from people, animals, glass, and solid objects.



WARNING: When starting engine, hold the unit as illustrated. Do not set unit on any surface except a clean, hard area when starting engine or while engine is running. Debris such as gravel, sand, dust, grass, etc. could be picked up by the air intake and thrown out through the discharge opening, damaging the unit or property, or causing serious injury to bystanders or the operator.

STARTING A COLD ENGINE

1. Slowly press the primer button 8 times.
2. Move the choke lever to the FULL CHOKE position.
3. Move the throttle lever to the position.



4. Pull starter handle sharply until the engine attempts to run, but no more than 5 pulls (below 30°F, 8 pulls).

NOTE: If the engine attempts to start before the 5th pull, go to the next step immediately.

5. Move choke lever to HALF CHOKE.
6. Pull the starter handle sharply until the engine runs, but no more than 5 pulls (below 30°F, 10 pulls).
7. After a 5 second warm-up, move the choke lever to the RUN position.
8. Allow the unit to run for 30 more seconds at RUN before moving the throttle lever to the position.

If the engine has not started after 5 pulls (at HALF CHOKE), repeat the STARTING A COLD ENGINE procedure. If the engine still does not start, proceed to STARTING A FLOODED ENGINE.

9. To stop the engine, move the throttle lever to the STOP position.

STARTING A WARM ENGINE

NOTE: If fuel tank is empty, add fuel; then, follow STARTING A COLD ENGINE procedure. Do not fill fuel tank while engine is hot.

1. Move the throttle lever to the position.
2. Pull the starter handle sharply until the engine starts, but no more than 5 pulls.

NOTE: If the engine has not started, pull starter handle sharply for 5 more pulls. If engine still does not run, it is probably flooded. Proceed to STARTING A FLOODED ENGINE.

3. To stop the engine, move the throttle lever to the STOP position.

STARTING A FLOODED ENGINE

Flooded engines can be started by placing the choke lever in the RUN position. Move throttle lever to the fast position; then, pull rope until engine starts. After engine starts, move the throttle lever to the slow position to allow engine to idle.

Starting could require pulling the starter rope many times depending on how badly the unit is flooded. If the unit still doesn't start, refer to the TROUBLESHOOTING TABLE or call 1-800-235-5878.

MAINTENANCE

CUSTOMER RESPONSIBILITIES

⚠ WARNING: Disconnect the spark plug before performing maintenance, service, or adjustments.

CARE & MAINTENANCE TASK	WHEN TO PERFORM
Check for loose fasteners and parts	Before each use
Check for damaged or worn parts	Before each use
Inspect and clean unit and labels	After each use
Clean air filter	Every 5 hours of operation
Replace spark plug	Yearly
Replace fuel filter	Yearly
Check muffler mounting screws	Yearly

⚠ WARNING: Avoid touching muffler unless engine and muffler are cold. A hot muffler can cause serious burns.

⚠ WARNING: Stop engine and be sure the impeller blades have stopped turning before opening the vacuum inlet door or attempting to insert or remove the vacuum or blower tubes. The rotating blades can cause serious injury. Always disconnect the spark plug before performing maintenance or accessing movable parts.

GENERAL RECOMMENDATIONS

The warranty on this unit does not cover items that have been subjected to operator abuse or negligence. To receive full value from the warranty, the operator must maintain unit as instructed in this manual. Various adjustments will need to be made periodically to properly maintain your unit.

CHECK FOR LOOSE FASTENERS AND PARTS

- Spark Plug Boot
- Air Filter
- Housing Screws

CHECK FOR DAMAGED OR WORN PARTS

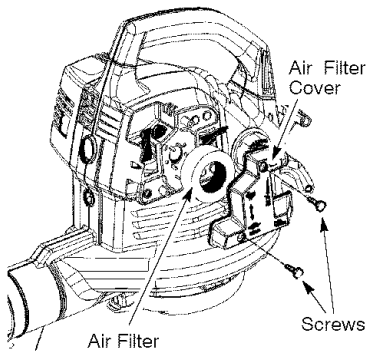
Contact Sears Service Center for replacement of damaged or worn parts.

- Throttle Lever - Ensure throttle lever functions properly by moving the throttle lever to the STOP position. Make sure engine stops; then restart engine and continue.
- Fuel Tank - Do not use unit if fuel tank shows signs of damage or leaks.
- Vacuum Bag - Do not use vacuum bag if it is torn or damaged.

INSPECT AND CLEAN UNIT AND LABELS

- After each use, inspect complete unit for loose or damaged parts. Clean the unit using a damp cloth with a mild detergent.
- Wipe off unit with a clean dry cloth.

CLEAN AIR FILTER



A dirty air filter decreases engine performance and increases fuel consumption and harmful emissions. Always clean after every 5 hours of operation.

Cleaning the air filter:

1. Clean the cover and the area around it to keep debris from falling into the carburetor chamber when the cover is removed.
 2. Remove parts as illustrated.
- NOTE:** Do not clean filter in gasoline or other flammable solvent. Doing so can create a fire hazard or produce harmful evaporative emissions.
3. Wash the filter in soap and water.
 4. Allow filter to dry.
 5. Apply a few drops of oil to the filter; squeeze filter to distribute oil.
 6. Replace parts.

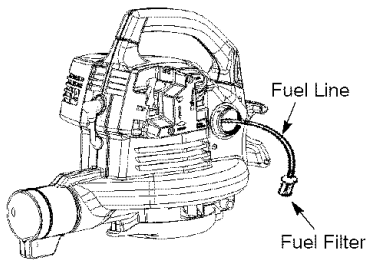
REPLACE SPARK PLUG

Replace spark plug each year to ensure the engine starts easier and runs better. Set spark plug gap at 0.025 inch. Ignition timing is fixed, nonadjustable.

1. Twist, then pull off spark plug boot.
2. Remove spark plug from cylinder and discard.
3. Replace with Champion CJ-6Y spark plug and tighten securely with a 3/4 inch socket wrench.
4. Reinstall the spark plug boot.

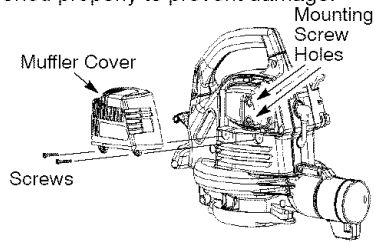
REPLACE FUEL FILTER

To replace fuel filter, drain unit by running it dry of fuel, then remove fuel cap/retainer assembly from tank. Pull filter from tank and remove it from the fuel line. Install new fuel filter on fuel line; reinstall parts.




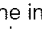
CHECK MUFFLER MOUNTING SCREWS

Once each year, ensure muffler mounting screws are secure and tightened properly to prevent damage.



1. Loosen and remove the 2 screws from the muffler cover.
2. Remove the muffler cover.
3. Tighten the 2 muffler mounting screws securely.
4. Reinstall muffler cover and 2 screws. Tighten securely.

CARBURETOR ADJUSTMENT

There is no screw for idle adjustment on your blower. The throttle lever is used to control engine speed. The throttle lever can be placed in one of four positions: STOP, IDLE or , FULL THROTTLE or , and one intermittent position. If your engine will not run properly or you require further assistance, contact your Sears Service Center or call our customer assistance help line at 1-800-235-5878.

STORAGE

WARNING: Perform the following steps after each use:

- Allow engine to cool, and secure the unit before storing or transporting.
- Store unit and fuel in a well ventilated area where fuel vapors cannot reach sparks or open flames from water heaters, electric motors or switches, furnaces, etc.
- Store unit with all guards in place. Position unit so that any sharp object cannot accidentally cause injury.
- Store unit and fuel well out of the reach of children.

SEASONAL STORAGE

Prepare unit for storage at end of season or if it will not be used for 30 days or more. If your unit is to be stored for a period of time:

- Clean the entire unit before lengthy storage.
- Store in a clean dry area.
- Lightly oil external metal surfaces.

FUEL SYSTEM

Empty the fuel system before storage for 30 days or longer. Drain the gas tank, start the engine and let it run until the fuel lines and carburetor are empty. Use fresh fuel next season. Under FUELING ENGINE in the OPERATION section of this manual, see message labeled **IMPORTANT** regarding the use of gasohol in your engine. Fuel stabilizer is an acceptable alternative in minimizing the formation of fuel gum deposits during storage. Add stabilizer to gasoline in fuel tank or fuel storage container. Follow the mix instructions found on stabilizer container. Run engine at least 3 minutes after adding stabilizer.

Craftsman 40:1, 2-cycle engine oil (air cooled) is already blended with fuel stabilizer. If you do not use this Sears oil, you can add a fuel stabilizer to your fuel tank.

ENGINE

- Remove spark plug and pour 1 teaspoon of 40:1, 2-cycle engine oil (air cooled) through the spark plug opening. Slowly pull the starter rope 8 to 10 times to distribute oil.
- Replace spark plug with new one of recommended type and heat range.

- Clean air filter.
- Check entire unit for loose screws, nuts, and bolts. Replace any damaged, broken, or worn parts.
- At the beginning of the next season, use only fresh fuel having the proper gasoline to oil ratio.

OTHER

- Do not store gasoline from one season to another.
- Replace your gasoline can if it starts to rust.

TROUBLESHOOTING TABLE

⚠ WARNING: Always stop unit and disconnect spark plug before performing any of the recommended remedies below other than remedies that require operation of the unit.

TROUBLE	CAUSE	REMEDY
Engine will not start.	<ol style="list-style-type: none"> 1. Engine flooded. 2. Fuel tank empty. 3. Spark plug not firing. 4. Fuel not reaching carburetor. 5. Compression low. 	<ol style="list-style-type: none"> 1. See "Starting a Flooded Engine" in Operation section. 2. Fill tank with correct fuel mixture. 3. Install new spark plug. 4. Check for dirty fuel filter; replace. Check for kinked or split fuel line; repair or replace. 5. Contact Sears Service (see back cover).
Engine will not idle properly.	<ol style="list-style-type: none"> 1. Fuel not reaching carburetor. 2. Carburetor requires adjustment. 3. Crankshaft seals worn. 4. Compression low. 	<ol style="list-style-type: none"> 1. Check for dirty fuel filter; replace. Check for kinked or split fuel line; repair or replace. 2. Contact Sears Service (see back cover). 3. Contact Sears Service (see back cover). 4. Contact Sears Service (see back cover).
Engine will not accelerate, lacks power, or dies under a load.	<ol style="list-style-type: none"> 1. Air filter dirty. 2. Fuel not reaching carburetor. 3. Spark plug fouled. 4. Carburetor requires adjustment. 5. Carbon build up. 6. Compression low. 	<ol style="list-style-type: none"> 1. Clean or replace air filter. 2. Check for dirty fuel filter; replace. Check for kinked or split fuel line; repair or replace. 3. Clean or replace spark plug and re-gap. 4. Contact Sears Service (see back cover). 5. Contact Sears Service (see back cover). 6. Contact Sears Service (see back cover).
Engine smokes excessively.	<ol style="list-style-type: none"> 1. Choke partially on. 2. Fuel mixture incorrect. 3. Air filter dirty. 4. Carburetor requires adjustment. 	<ol style="list-style-type: none"> 1. Adjust choke. 2. Empty fuel tank and refill with correct fuel mixture. 3. Clean or replace air filter. 4. Contact Sears Service (see back cover).
Engine runs hot.	<ol style="list-style-type: none"> 1. Fuel mixture incorrect. 2. Spark plug incorrect. 3. Carburetor requires adjustment. 4. Carbon build up. 	<ol style="list-style-type: none"> 1. See "Fueling Engine" in Operation section. 2. Replace with correct spark plug. 3. Contact Sears Service (see back cover). 4. Contact Sears Service (see back cover).

U.S. EPA/CALIFORNIA EMISSION CONTROL WARRANTY STATEMENT

YOUR WARRANTY RIGHTS AND OBLIGATIONS:

The U.S. Environmental Protection Agency/California Air Resources Board and Sears, Roebuck and Co., U.S.A., are pleased to explain the emissions control system warranty on your year 2007 and later small off-road engine. In California, all small off-road engines must be designed, built, and equipped to meet the State's stringent anti-smog standards. Sears must warrant the emission control system on your small off-road engine for the periods of time listed below provided there has been no abuse, neglect, or improper maintenance of your small off-road engine. Your emission control system includes parts such as the carburetor, the ignition system and the fuel tank (California only). Where a warrantable condition exists, Sears will repair your small off-road engine at no cost to you. Expenses covered under warranty include diagnosis, parts and labor.

MANUFACTURER'S WARRANTY

COVERAGE: If any emissions related part on your engine (as listed under Emissions Control Warranty Parts List) is defective or a defect in the materials or workmanship of the engine causes the failure of such an emission related part, the part will be repaired or replaced by Sears.

OWNER'S WARRANTY RESPONSIBILITIES:

As the small off-road engine owner, you are responsible for the performance of the required maintenance listed in your operator's manual. Sears recommends that you retain all receipts covering maintenance on your small off-road engine, but Sears cannot deny warranty solely for the lack of receipts or for your failure to ensure the performance of all scheduled maintenance. As the small off-road engine owner, you should be aware that Sears may deny you warranty coverage if your small off-road engine or a part of it has failed due to abuse, neglect, improper maintenance, unapproved modifications, or the use of parts not made or approved by the original equipment manufacturer. You are responsible for presenting your small off-road engine to a Sears authorized repair center as soon as a problem exists.

Warranty repairs should be completed in a reasonable amount of time, not to exceed 30 days. If you have any questions regarding your warranty rights and responsibilities, you should contact your nearest authorized service center or call Sears at 1-800-469-4663. **WARRANTY COMMENCEMENT DATE:** The warranty period begins on the date the small off-road engine is purchased. **LENGTH OF COVERAGE:** This warranty shall be for a period of two years from the initial date of purchase. **WHAT IS COVERED: REPAIR OR REPLACEMENT OF PARTS.** Repair or replacement of any warranted part will be performed at no charge to the owner at an approved Sears Service Center. If you have any questions regarding your warranty rights and responsibilities, you should contact your nearest authorized service center or call Sears at 1-800-469-4663.

WARRANTY PERIOD: Any warranted part which is not scheduled for replacement as required maintenance, or which is scheduled only for regular inspection to the effect of "repair or replace as necessary" shall be warranted for 2 years.

Any warranted part which is scheduled for replacement as required maintenance shall be warranted for the period of time up to the first scheduled replacement point for that part. **DIAGNOSIS:**

The owner shall not be charged for diagnostic labor which leads to the determination that a warranted part is defective if the diagnostic work is performed at an approved Sears Service Center.

CONSEQUENTIAL DAMAGES: Sears may be liable for damages to other engine components caused by the failure of a warranted part still under warranty. **WHAT IS NOT COVERED:** All failures caused by abuse, neglect, or improper maintenance are not covered.

ADD-ON OR MODIFIED PARTS: The use of add-on or modified parts can be grounds for disallowing a warranty claim. Sears is not liable to cover failures of warranted parts caused by the use of add-on or modified parts. **HOW TO**

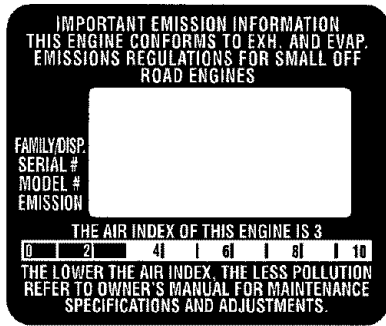
FILE A CLAIM: If you have any questions regarding your warranty rights and responsibilities, you should contact your nearest authorized service center or call Sears at 1-800-469-4663.

WHERE TO GET WARRANTY SERVICE: Warranty services or repairs shall be provided at all Sears Service Centers. Call 1-800-469-4663.

MAINTENANCE, REPLACEMENT AND REPAIR OF EMISSION RELATED PARTS: Any Sears approved replacement part used in the performance of any warranty maintenance or repair on emission related parts will be provided without charge to the owner if the part is under warranty.

EMISSION CONTROL WARRANTY PARTS LIST: Carburetor, Ignition System: Spark Plug (covered up to maintenance schedule), Ignition Module, Muffler including Catalyst, Fuel Tank (California only). **MAINTENANCE STATEMENT:** The owner is responsible for the performance of all required maintenance as defined in the operator's manual.

The information on the product label indicates which standard your engine is certified.
Example: (Year) EPA Phase 1 or Phase 2 and/or CALIFORNIA.



This engine is certified to be emissions compliant for the following use:

- Moderate (50 hours)
- Intermediate (125 hours)
- Extended (300 hours)

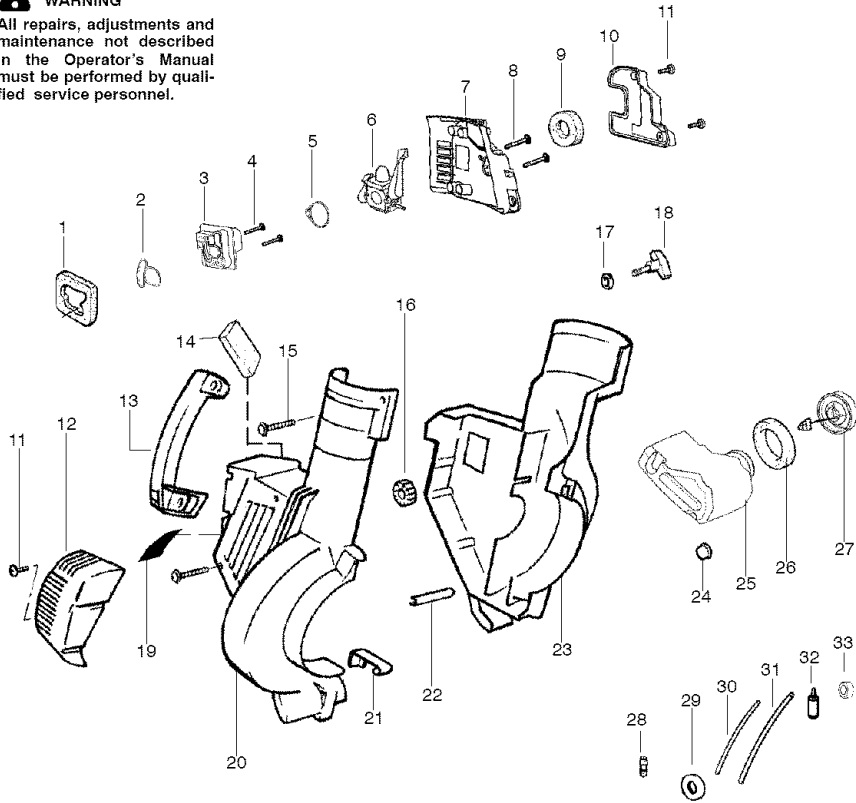
REPAIR PARTS



WARNING

All repairs, adjustments and maintenance not described in the Operator's Manual must be performed by qualified service personnel.

SEARS MODEL 358.794964



Ref.	Part No.	Description	Ref.	Part No.	Description
1.	530071459	Air Dam (kit)	23.	545018102	Housing-Left
2.	530071458	Gasket-Adapter (kit)	24.	530038792	Isolator-Crankcase
3.	530035561	Adapter-Carburetor	25.	545058007	Assy-Fuel Tank
4.	530016441	Screw	26.	530049527	Gasket-Fuel Tank
5.	530071458	Gasket-Carburetor (kit)	27.	530049388	Fuel Cap w/Retainer
6.	--	Kit-Carb Assy.	28.	530023877	Fitting-Fuel line
	530071775	(WT-606)	29.	530049656	Grommet-Shroud
	530071632	(C1Q-W11C)	30.	530069247	Kit-Line Carb/Purge
7.	530056629	Air Box	31.	530069216	Kit-Line Tank/Purge
8.	530015849	Screw-Carb.	32.	530095646	Assy-Fuel Pick-up
9.	530049383	Air Filter	33.	530071459	Grommet-Fuel line (kit)
10.	530056581	Air Filter Cover			
11.	530016349	Screw			
12.	545085001	Guard-Muffler			
13.	530058757	Handle			
14.	530071459	Foam - 71.12mm (kit)			
15.	530015886	Screw			
16.	530049323	Isolator			
17.	530015197	Nut			
18.	530018322	Knob-Tube Clamp			
19.	530071458	Heat Reflector (kit)			
20.	545018202	Assy-Hsg. Right (Incl. #21)			
21.	530402044	Spring Cover Latch			
22.	530049617	Guide-Starter Rope			
					Not Shown
					Operator Manual
					Warning Decal
					Kit-Throttle (Zama)
					Kit-Choke (Zama)
					Kit-Choke (Walbro)
					Kit-Throttle (Walbro)
					Decal-Inst./Warning

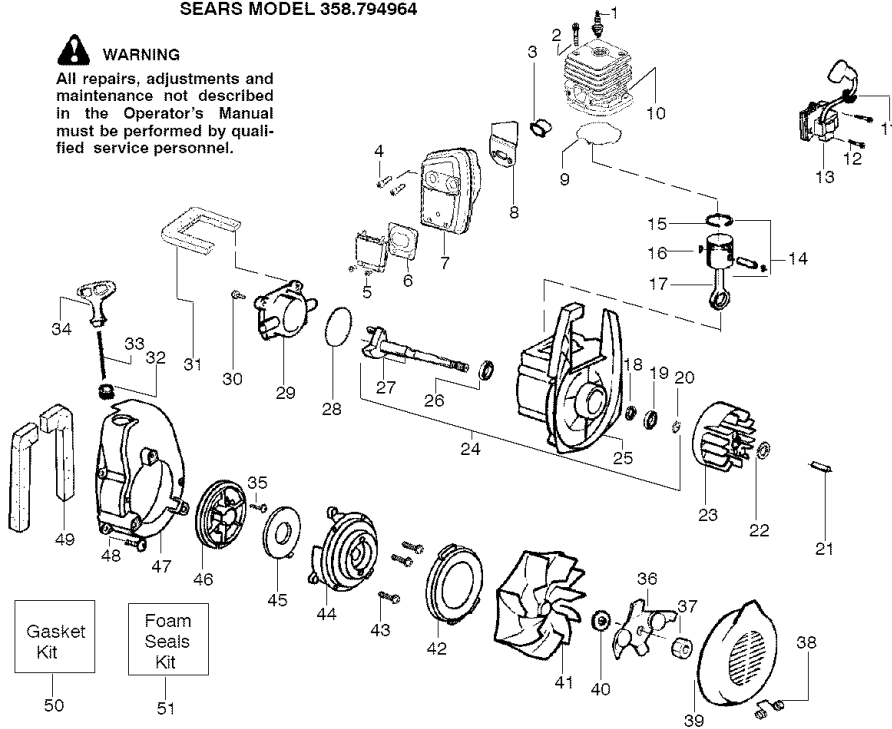
REPAIR PARTS

SEARS MODEL 358.794964



WARNING

All repairs, adjustments and maintenance not described in the Operator's Manual must be performed by qualified service personnel.

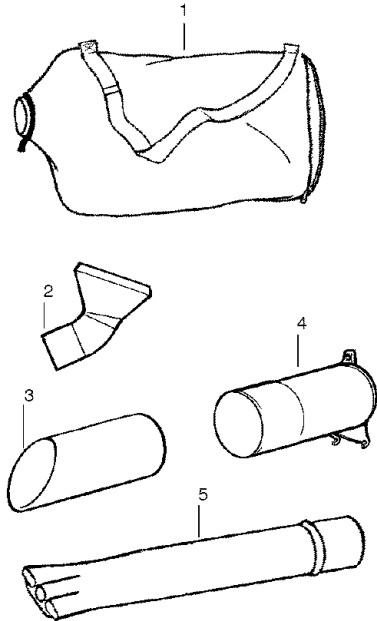


Ref.	Part No.	Description	Ref.	Part No.	Description
1.	71-85920	Spark Plug (RCJ-6Y)	27.	530012452	Assy-Crankshaft
2.	530015953	Screw	28.	530071458	O-ring-C/case (kit)
3.	530055191	Insulator-Heat	29.	545064601	Cover-Crankcase
4.	530016387	Screw-Muffler-Internal	30.	530015810	Screw
5.	530015241	Screw	31.	530071459	Foam-219mm (kit)
6.	530071593	Kit-Spark Screen(incl. #5)	32.	530029182	Eyelet-Flange
7.	530071599	Kit-Muffler (incl. 4,5,6 & 8)	33.	530071467	Kit-Rope
8.	530071458	Gasket-Baffle (kit)	34.	530049488	Handle-Starter
9.	530071458	Gasket-Cylinder (kit)	35.	530016391	Screw-Rope
10.	530071468	Kit-Cylinder	36.	530095461	Assy-Mulch Blade
11.	530019182	Grommet-Ign. Module	37.	530626605	Nut
12.	530016357	Screw-Ignition Module	38.	530402043	Spring-Return Cover
13.	530035505	Ignition Module	39.	530049313	Inlet Door
14.	530071476	Kit-Piston (incl. 15,16)	40.	530016402	Washer-Belleville
15.	530012472	Piston Ring	41.	530069817	Kit-Impeller Ass'y.
16.	530015162	Retainer-Piston Pin	42.	530056625	Seal - O-Ring
17.	530069945	Assy-Connecting Rod	43.	530016349	Screw
18.	530019264	Seal	44.	530055101	Housing-Pulley
19.	530055728	Outer Bearing	45.	530042086	Starter Spring
20.	530015941	Retainer Ring-C'chaft	46.	530071466	Kit-Starter Pulley (Incl. 35)
21.	530016190	Flywheel Spacer	47.	530055102	Fan Housing
22.	530015149	Washer	48.	530015810	Screw
23.	530039209	Assy-Flywheel	49.	530071459	Foam-182mm (kit)
24.	530071456	Assy-Crankcase/Crank shaft (incl. 20,25,27)	50.	530071458	Kit-Gasket (Includes) (page 16 - #2,5 & 19) (page 17 - #8,9 & 28)
25.	530012492	Assy-Crankcase (Incl. 18,19,26)	51.	530071459	Kit-Foam (Includes) (page 16 - #1,14, & 33) (page 17 - #31 & 49)
26.	530032125	Bearing-Inner			

REPAIR PARTS

SEARS MODEL 358.794964

Vacuum / Blower



KEY NO.	PART NO.	DESCRIPTION
1	530095564	Vac Bag w/Strap
2	530095470	Elbow-Vac Tube
3	530095589	Tube-Lower Vac
4	530056901	Tube-Upper Vac
5	530095593	Tube-Blower

TABLA DE CONTENIDO

Declaración de Garantía	19	Mantenimiento	29
Identificación de los Símbolos de Seguridad	19	Almacenaje	31
Reglas de Seguridad	21	Tabla Diagnóstica	32
Montaje	23	Declaración de Emisión	33
Uso	26	Lista de Piezas	16
		Repuestos y Encargos	Contratapa

DECLARACION DE GARANTIA

DOS AÑOS COMPLETO DE GARANTÍA PARA CORTADORA DE LÍNEA A GASOLINA WEEDWACKER® DE CRAFTSMAN®

Si este producto falla por un defecto en el material o de mano de obra dentro dos años a partir de la fecha de compra y este se ha utilizado y mantenido de acuerdo al manual del operador, envíelo a cualquier tienda Sears, Centro de Servicios Sears u otra tienda Craftsman en los Estados Unidos para su reparación gratuita (o reemplazo si no es posible repararlo).

Esta garantía excluye la bujía y el filtro de aire, que son partes desechables y pueden desgastarse al usarlas normalmente en menos de dos años.

Esta garantía es aplicable por sólo 30 días desde la fecha de compra si este producto se usa con fines comerciales o se usa para arriendo.

Esta garantía le otorga derechos legales específicos, y usted también puede tener otros derechos que varían de estado a estado.

Sears, Roebuck and Co., Hoffman Estates, IL 60179

IDENTIFICACIÓN DE LOS SÍMBOLOS DE SEGURIDAD



ADVERTENCIA: ¡Este aparato puede ser peligrosa! El uso descuidado o indebido de esta herramienta puede causar graves heridas.



Lea el manual del usuario cuidadosamente hasta que comprenda perfectamente todas las advertencias e instrucciones de seguridad y las pueda cumplir, antes de poner el aparato en funcionamiento. De no cumplir con todas las advertencias e instrucciones de seguridad, correrá el riesgo de accidentes muy graves. Guarde el manual de usuario.

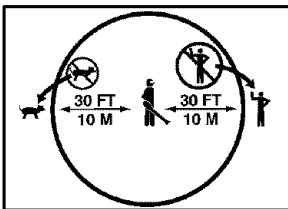


ADVERTENCIA: El silenciador es extremadamente caliente durante el uso y después de usar el aparato. No toque el silenciador, la protector del silenciador, o las superficies circundantes ni permita que el material combustible tal como gasolina o hierba seca hagan contacto.



El aparato arroja objetos violentamente. Los objetos arrojados pueden cegarlo o herirlo a usted y a terceros. Use protección de oídos y anteojos de seguridad marcar con Z87. Use siempre pantalones pesados y largos, mangas largas, botas y guantes.

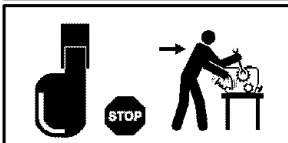
IDENTIFICACIÓN DE LOS SÍMBOLOS DE SEGURIDAD



Zona de peligro por objetos arrojados al aire. Mantenga a niños, espectadores y animales a una distancia mínima de 10 metros (30 pies) al poner en marcha o al usar el aparato. No señale la boquilla en la dirección de la personas o de animales domésticos.



Asegúrese de tener el cabello recogido por encima de los hombros. No use joyería, ropa suelta ni ropa con corbatas, tiras, borlas, etc. que cuelgan libremente. Pueden enredarse en las piezas en movimiento.



Siempre apague el aparato y desconecte la bujía antes de dar mantenimiento.



⚠ ADVERTENCIA: Detenga el motor antes de abrir la compuerta de entrada de aire del aspirador. El motor deberá encontrarse detenido y las cuchillas de la impulsor no deberán estar girando para evitar serios accidentes provocados por las cuchillas girantes. Suavemente, gire el mango del destornillador hacia la parte trasera del aparato para abrir la cerradura, mientras jala hacia arriba de la cubierta de la entrada de aire del aspirador con su otra mano.



Cuando esté usando el accesorio de la aspirador, el aparato está diseñado para recoger material seco como son hojas, hierba, ramas pequeñas y pedazos pequeños de papel. No aspire piedras, gravilla, metal, vidrio roto, etc., para evitar daños severos al impulsor.



⚠ ADVERTENCIA: Riesgo de incendios. Nunca mezcle, vierta, o almacene el combustible o utilice el aparato cerca de llamas o fuentes de chispas (inclusive los cigarrillos, las llamas abiertas, y cualquier trabajo que cause chispas).

REGLAS DE SEGURIDAD

⚠ ADVERTENCIA: De no cumplir con todas las Reglas y Precauciones de Seguridad, correrá el riesgo de accidentes muy graves.

CONOZCA SU APARATO

- Lea el manual del usuario cuidadosamente hasta que comprenda perfectamente todas las advertencias e instrucciones de seguridad y las pueda cumplir, antes de poner el aparato en funcionamiento.
- Limite el uso del aparato a aquellas personas que comprendan todas las advertencias e instrucciones de seguridad en este manual y vayan a cumplir con ellas.

⚠ ADVERTENCIA: Inspeccione el área antes de poner en matodos los escombros y objetos sólidos tales como piedras, vidrio, alambre, etc., que el aparato pueda arrojar al aire o hacer rebotar causando heridas de este o cualquier otro modo durante el uso del mismo. Utilice su aparato como propulsor de aire para:

- Barrer escombros o recortes de hierba de caminos de entrada, aceras, patios, etc.
- Soplar recortes de hierba, para u hojas en montones, o para remover escombros de esquinas, alrededor de uniones o entre ladrillos.

Utilice su aparato como aspiradora para:

- Recoger material seco como hojas, hierba, ramas pequeñas y pedazos pequeños de papel.
- Para obtener mejores resultados al usar la aspiradora, ponga el motor a alta velocidad.
- Muévase lentamente de un lado a otro sobre el material que de sea aspirar. Evite el forzar el aparato a recoger montones de desechos pues esto podría obstruir el aparato.
- Para obtener mejores resultados, mantenga el tubo de aspiración unos 3 cm (uno pulgada) más arriba del suelo.

PIENSE ANTES DE PROCEDER

- Use siempre protección para los ojos al hacer uso, servicio o mantenimiento del aparato. El uso de protección de ojos ayudará a prevenir la pérdida de la vista y/u otras heridas graves, provocadas por piedras o escombros que reboten en los ojos y en la cara al ser propulsados por el

aparato. La protección para los ojos debe ser marcada Z87.

- Use siempre protección en los pies. No use el aparato descalzo ni con sandalias.
- Use siempre mascarilla de filtración o de protección para la cara al trabajar en ambientes polvorientos.
- Mantenga el cabello por encima de los hombros, atándolo para tal efecto si es necesario. No use joyas, ropa suelta, ni ropa con tiras, corbatas, borlas, etc. que cuelgen libremente, porque podrían quedar enredadas en las piezas en movimiento del aparato.
- No use el aparato estando cansado, enfermo, ansioso, ni bajo la influencia del alcohol, las drogas u otros medicamentos.
- Mantenga a niños, espectadores y animales a una distancia mínima de 10 metros (30 pies) al poner en marcha o al usar el aparato. No señale la boquilla en la dirección de la personas o de animales domésticos.

MANEJE EL COMBUSTIBLE CON EXTREMO CUIDADO, ES ALTAMENTE INFLAMABLE

- Elimine todas las posibles fuentes de chispan o llamas (inclusive los cigarrillos, las llamas abiertas, y cualquier trabajo que cause chispas) en las áreas donde se mezcla, vierte o almacena el combustible.
- Mezcle y vierta el combustible al aire libre, almacene el combustible en un lugar fresco, seco y bien ventilado; sue un recipiente aprobado para combustible y marcado para todo manejo de combustible.
- No fume mientras trabaja con el combustible ni cuando esté haciendo uso del aparato.
- Asegúrese que el aparato esté correctamente armado y en buena condición de funcionamiento.
- No llene el tanque de combustible mientras el motor se encuentre en marcha.
- Evite derramar el combustible o el aceite. Limpie todos los derrames de combustible antes de poner el aparato en marcha.
- Aléjese por lo menos 3 metros (10 pies) del combustible y del lugar de abastecimiento antes de poner el motor en marcha.

- Almacéne siempre combustible en un recipiente aprobado para los líquidos inflamables.

HAGA USO SEGURO DE SU APARATO

⚠ ADVERTENCIA: Detenga el motor antes de abrir la compuerta de entrada de aire del aspirador. El motor deberá encontrarse detenido y las cuchillas del impulsor no deberán estar girando para evitar serios accidentes provocados por las cuchillas girantes.

- Verifique por inspección, antes de cada uso, que no haya piezas gastadas, sueltas, ni dañadas o piezas que falten. No use el aparato hasta que este se encuentre en perfectas condiciones de funcionamiento.
- Mantenga las superficies externas libres de aceite y de combustible.
- Nunca ponga el motor en marcha ni lo deje en marcha dentro de un recinto cerrado o en una área sin ventilación. Respirar los vapores del combustible le podría causar la muerte.
- Para evitar el choque por electricidad estática, no use guantes de goma ni ningún otro guante aislado al usar el aparato.
- No apoye el aparato con el motor en marcha en ninguna superficie que no esté limpia o que no sea sólida. El aparato podría aspirar escombros tales como gavilla, arena, polvo, césped, etc. por la entrada de aspiración y arrojarlos por la salida de propulsión, dañando el aparato y/u otros objetos, o causando graves heridas a espectadores o al usuario.
- Evite ambientes peligrosos. No use el aparato en lugares sin ventilación ni donde pueda haber vapores explosivos o monóxido de carbono.
- No se extienda excesivamente ni use el aparato en superficies inestables tales como escaleras, árboles, declives acentuadas, techos, etc. Mantenga el equilibrio, con los pies en una superficie estable en todo momento.
- Nunca coloque objetos dentro de los tubos de propulsión; siempre dirija los escombros en dirección contraria a donde personas, animales, vidrieras u otros objetos sólidos tales como árboles, automóviles, paredes, etc. se encuentran. La fuerza del aire puede arrojar o hacer rebotar piedras, tierra o ramas, hiriendo a per-

sonas o animales, rompiendo vidrieras o causando otros daños.

- Nunca ponga el aparato en marcha sin tener todo el equipo correspondiente instalado. Al usar el aparato como propulsor de aire, siempre instale los tubos de propulsión. Al usar el equipo opcional de aspiración, siempre instale los tubos y la bolsa de aspiración. Asegúrese que la cremallera de la bolsa de aspiración se encuentre completamente cerrada.
- Inspeccione frecuentemente la abertura de entrada de aire, los tubos de propulsión, los tubos de aspiración y el tubo en forma de codo siempre con el motor detenido y la bujía desconectada. Mantenga las aberturas de ventilación y los tubos de descarga libres de escombros que se pueden acumular y limitar la circulación debida de aire.
- Nunca coloque objeto alguno dentro de la entrada de aire ya que de hacerlo podría limitar la circulación d'aire y dañar el aparato.
- Nunca use el aparato para esparcir sustancias químicas, fertilizantes u otras sustancias que puedan contener materiales tóxicos.
- Para evitar la propagación de incendios, no use el aparato cerca de hogueras de hogasesecas o de matorrales, de hogares de leña, de parrillas, barbacoas, ceniceros, etc.
- Use el aparato exclusivamente para los fines descritos en este manual.

HAGA EL MANTENIMIENTO DEL APARATO EN LA FORMA DEBIDA

⚠ ADVERTENCIA: Desconecte la bujía antes de hacer cualquier mantenimiento, con la excepción de los ajustes al carburador.

- Permita que todo mantenimiento aparte de los procedimientos recomendados descritos en este manual del usuario, sean efectuados por un Centro de Servicio Sears.
- Use exclusivamente los repuestos recomendados de la marca Craftsman; el uso de cualquier otro repuesto podrá invalidar la garantía o dañar el aparato.
- Vacía el tanque de combustible antes de almacenar el aparato. Consuma el combustible restante en el carburador poniendo el motor en marcha y dejándolo en marcha hasta que se éste se detenga.

- No use ningún accesorio ni pieza adicional aparte de los recomendados por el fabricante para usar con su aparato.
- No almacene el aparato ni el combustible en un recinto cerrado donde los vapores el combustible puedan entrar en contacto con chispas o llamas abiertas procedentes de calentadores de agua, motores o interruptores eléctricos, calefactores centrales, etc.
- Almacene el aparato en un lugar seco, fuera del alcance de los niños.

AVISO DE SEGURIDAD: El estar expuesto a las vibraciones a través del uso prolongado de herramientas de fuerza a gasolina, puede causar daños a los vasos sanguíneos o a los nervios de los dedos, las manos y las coyunturas a aquellas personal propensas a los trastornos de la circulación o a las hinchazones anormales. El uso prolongado en climas fríos ha sido asociado con daños a los vasos sanguíneos a personas que por otra parte se encuentran en perfecto estado de salud. Si ocurriera síntomas tales como el entumecimiento, el color, la falta de sentido en los dedos, las manos o en las coyunturas, pare de usar esta máquina de inmediato y procure atención médica. Los sistemas de anti-vibración no garantizan que se eviten tales problemas. Los usuarios que hacen uso continuo y prolongado de las herramientas de fuerza deben fiscalizar atetamente su estado físico y el estado del aparato.

AVISO ESPECIAL: Para los usuarios en Tierras Forestadas en los Estados Unidos y en algunos estados, incluyendo California (Códigos de Recursos Públicos 4442 y 4443), Idaho, Maine, Minnesota, Nueva Jersey, Oregón y Washington: Se requiere a ciertos motores de combustión interna operados en tierras cubiertas por bosques, matorrales y/o pasto, en las área anteriormente mencionadas, que vengan equipados con rejilla anti-chispas, mantenida en perfecto estado de funcionamiento, o que el motor esté construido y equipado para la prevención de incendios y mantenido correctamente. Consulte con las autoridades estatales o locales acerca de los reglamente que se relacionene con estos requisitos. De no cumplir con estos requisitos, usted estará en violación de la ley. Este aparato no viene equipo de fábrica con rejilla anti-chispa; sin embargo la rejilla anti-chispa viene disponible como pieza opcional. Si se requiere rejilla antichispa en la localidad donde usted se encuentra, entre en contacto con el Servicio de Sears para obtener el equipo de repuestos correspondiente. La rejilla anti-chispa, los tubos de propulsión y las boquillas deberán estar instalados en el aparato para estar en total cumplimiento con el reglamento.

MONTAJE

CONTENIDO DE LA CAJA

Verifique que todos los artículos de la siguiente lista estén incluidos:

Modelo 358.794964

- Propulsor de Aire
- Tubo de Propulsión
- Tubo en Forma de Codo
- Bolsa de Aspiración
- Tubo de Aspiración Superior
- Tubo de Aspiración Inferior
- Aceite de Motor a 2 Tiempos

AVISO: Es normal que el filtro de combustible golpetee en el tanque vacío.

MONTAJE

⚠ ADVERTENCIA: Detenga el motor y asegúrese de que las cuchillas del impulsor no se encuentren girando antes de abrir la compuerta de entrada de aire del aspirador o de intentar introducir o remover los tubos

de aspiración o los tubos de propulsión. Las cuchillas girantes podrían causar serios accidentes.

⚠ ADVERTENCIA: Si recibió el aparato ya armado, repita todos los pasos para asegurarse que el aparato haya sido armado correctamente y que todos los fijadores se encuentren bien fijos.

- Un destornillador se requiere para el montaje.

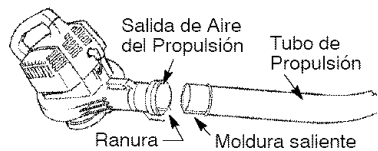
MONTAJE DEL PROPULSOR DE AIRE

INSTALACION DEL TUBO DE PROPULSION

Si usted ya ha montado el aparato para el uso como aspiradora, remueva los tubos de la aspiradora y la bolsa de colección.

1. Alinee la moldura saliente del tubo de propulsión con la ranura en la salida de aire del propulsor; gire hasta encajar en su lugar.

AVISO: La perilla debe ser aflojada lo suficiente que permita al tubo se introduzca en la salida de aire de la propulsora. Gire la perilla hacia la izquierda para aflojar.

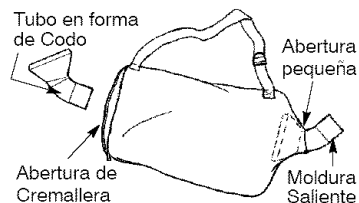


2. Asegúrese de apretar el tubo al girar la perilla hacia la derecha.
3. Para remover el tubo, gire la perilla hacia la izquierda para aflojar el tubo de propulsión; remueva el tubo.

MONTAJE DEL ASPIRADOR DE AIRE

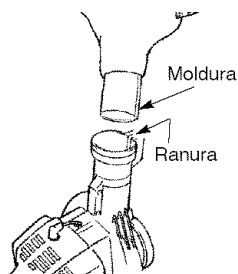
MONTAJE DE LA BOLSA DE ASPIRACION

1. Abra la cremallera en la bolsa de aspiración e introduzca el tubo en forma de codo.
2. Empuje la punta pequeña del tubo en forma de codo por la abertura pequeña en la bolsa de aspiración.



AVISO: Asegúrese de que el borde de la abertura pequeña de la bolsa de encuentre pegado a la parte en forma de embudo del tubo en forma de codo, y la moldura saliente del tubo en forma de codo se encuentre al fondo.

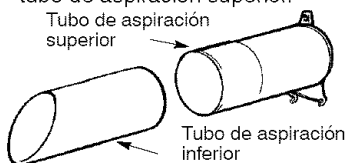
3. Cierra la cremallera de la bolsa. Asegúrese de que la cremallera se encuentre completamente cerrada.
4. Retire el tubo de propulsión.



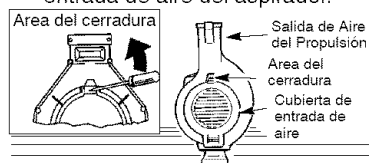
5. Introduzca el tubo en forma de codo en la salida de aire del propulsión. Asegúrese de que la moldura del tubo en forma de codo esté alineada con la ranura de salida de aire del propulsión.
6. Gire la perilla hacia la derecha para apretar el tubo en forma de codo.

MONTAJE DEL TUBO DE ASPIRACION

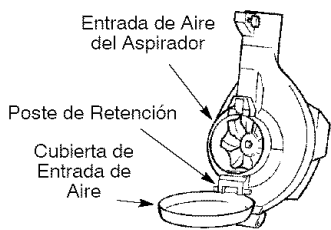
1. Alinee el tubo de aspiración inferior como se ilustra. Introduzca el tubo de aspiración inferior dentro del tubo de aspiración superior.



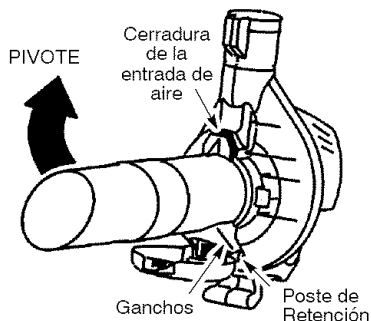
2. Introduzca un destornillador dentro del área del cerradura de la entrada de aire del aspirador.



3. Suavemente, gire el mango del destornillador hacia la parte trasera del aparato para abrir la cerradura, mientras jala hacia arriba de la cubierta de la entrada de aire del aspirador con su otra mano.
4. Sostenga la cubierta de entrada de aire del aspirador abierta hasta que el tubo de aspiración quede instalado.

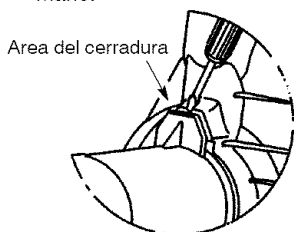


5. Coloque los ganchos que se encuentran en el tubo de aspiración superior en el poste de retención del aparato.
6. Gire el tubo hasta que este fijo por la cerradura de la entrada de aire.



COMO CONVERTIR EL APARATO DE USO DE ASPIRACION A USO DE PROPULSION

1. Remueva los tubos de aspiración introduciendo el destornillador dentro del área del cerradura de la entrada de aire.
2. Suavemente, gire el mango del destornillador hacia la parte trasera del aparato para abrir el cerradura, mientras jala hacia arriba el tubo de aspiración superior con su otra mano.



3. Remueva la bolsa de aspiración.
4. Cierre la cubierta de entrada de aire del aspirador y asegúrese que este cerrada completamente.
5. Vuelva a instalar los tubo de propulsión (vea INSTALACION DEL TUBO DE PROPULSION).

AJUSTE DE LA BANDA DEL HOMBRO (para uso con el aspirador únicamente)

1. Sujete el aparato como se ilustra con el lado del silenciador alejado de su cuerpo y de su ropa.
2. Pasando la banda del hombro sobre su cabeza, colóquela en su hombro derecho.
3. Extienda el brazo izquierdo hacia la parte posterior de la bolsa de aspiración.
4. Ajuste la correa de hombro hasta que la costura entre la bolsa de aspiración y la correa quede entre el pulgar y el índice.
5. Asegúrese de que el aire circule libremente desde el tubo en forma de codo hasta la bolsa. Si la bolsa se encuentra torcida, el aparato no funcionará apropiadamente.



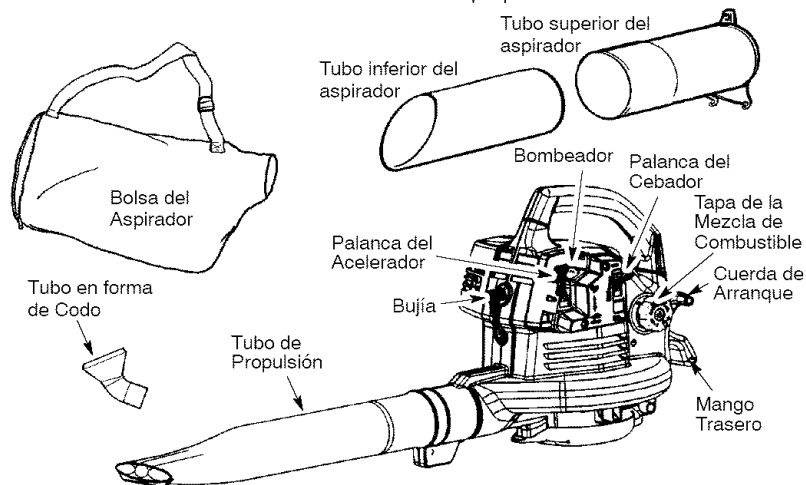
CONOZCA SU PROPULSOR

LEA EL MANUAL DEL USUARIO Y SUS REGLAS DE SEGURIDAD ANTES DE COMENZAR A USAR ESTE APARATO. Compare las ilustraciones siguientes con su aparato para familiarizarse con la localización de los controles y ajustes del mismo.

Guarde este manual para futuras referencias.

CUCHILLAS DESMENUZADORAS

Su propulsor viene equipado con cuchillas desmenuzadoras como característica standard. Cuando use este accesorio opcional del aspirador, las cuchillas desmenuzadoras reducirán los escombros en una proporción de hasta 16:1.



PALANCA DEL ACELERADOR

La PALANCA DEL ACELERADOR se uso para seleccionar la velocidad deseada y para detener el motor. Mueva la palanca del acelerador a la posición para máxima velocidad. Mueva la palanca del acelerador a la posición para conseguir la marcha lenta. Para detener el motor, mueva la palanca del acelerador a la posición STOP.

BOMBEADOR

El BOMBEADOR es usado para remover aire de el carburador y de las líneas de combustible y las llena de mezcla de combustible. Esto le permite poner el

motor en marcha con menos firones de la cuerda de arranque. Active el boton del bombeador apretándolo y luego dejando que retome su forma original.

PALANCA DEL CEBADOR

El CEBADOR ayuda a suministrar combustible al motor para facilitar el arranque cuando el motor está frío. Acione el cebador colocando la palanca en la posición FULL CHOKE. Después que el motor intente arrancar, mueva la palanca del cebador a la posición HALF CHOKE. Después que el motor se haya puesto en marcha, ponga la palanca del cebador en la posición RUN.

SUGERENCIAS UTILES

- Al usar el aparato para soplar o para aspirar los escombros, sujete el aparato con el lado del silenciador alejado de su cuerpo y de su ropa (vea POSICION DE USO en la página siguiente).
- Se requiere que se use protección de oídos para reducir el riesgo de la pérdida de la audición asociado con los niveles de sonido.
- Detenga el motor antes de instalar o remover accesorios para reducir el riesgo asociado con el contacto de las piezas girantes. No use este aparato sin antes tener todos los protectores en su lugar.
- Use el equipo de fuerza únicamente en horas razonables - no muy temprano en la mañana o muy tarde en la noche cuando otras personas podrían ser perturbadas. Cumpla

con el horario enlistado por los estatutos locales. Usualmente se recomienda un horario normal de 9:00 a.m. a 5:00 p.m., de lunes a sábado.

- Limite el uso de número de piezas de equipo al mismo tiempo para reducir los niveles de ruido.
- Para efectuar el trabajo, use los propulsores de fuerza a la menor velocidad de aceleración posible para reducir los niveles de sonido.
- Use rastrillos y escobas para aflojar escombros antes de soplarlos con el propulsor de aire.
- En condiciones de mucho polvo, moje ligeramente las superficies del suelo o use el accesorio "mister" donde haya agua disponible.
- Conserve agua usando el propulsor en lugar de mangueras de agua para las tantas aplicaciones del césped y de jardinería, incluyendo áreas como lo son canales de agua en los techos, protección de tela metálica en las ventanas y puertas, patios, asadores a la parrilla, balcones y jardines.
- Tenga cuidado con los niños, animales domésticos, ventanas abiertas y carros recién lavados. Sople los escombros con precaución.
- Use la extensión completa de la boquilla del propulsor para que la corriente de aire pueda trabajar cerca del suelo.
- Después de usar los propulsores de aire y otro tipo de equipo, ¡LIMPIE! Deseche los escombros en receptáculos de basura.

POSICION DE USO



ANTES DE PONER EL MOTOR EN MARCHA

⚠ ADVERTENCIA: Asegúrese de haber leído toda la información sobre el combustible en las reglas de seguridad antes de comenzar. Si no comprende las reglas de seguridad, o intente abastecer el aparato con combustible. Llame al 1-800-235-5878.

ABASTECIMIENTO DEL MOTOR

⚠ ADVERTENCIA: Remueva la tapa del tanque de combustible lentamente al reabastecer combustible.

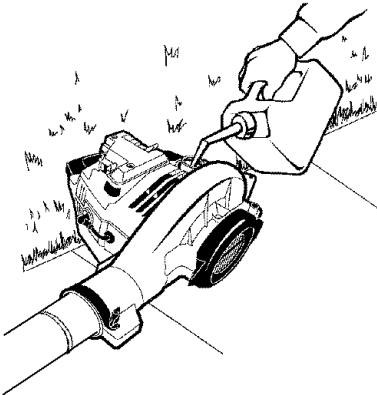
Este motor está habilitado para funcionar con gasolina sin plomo. Antes de comenzar con el uso, se deberá mezclar la gasolina con un aceite de sintético de buena calidad para motores de 2 tiempos enfriados a aire. Recomendamos el aceite de sintético de la marca Craftsman. Mezcle la gasolina con el aceite en la proporción 40:1. Se obtiene una proporción de 40:1 mezclando 3,2 onzas de aceite con cada galón de gasolina sin plomo. Se incluye con esta aparato un recipiente de 3,2 onzas de aceite. Adiera el contenido entero de este recipiente en 1 galón de gasolina para alcanzar la mezcla apropiada del combustible. NO USE aceite para automóviles ni para barcas. Estos aceites dañarán el motor. Al mezclar el combustible, siga las instrucciones impresas en el recipiente. Una vez haya añadido el aceite a la gasolina, agite al recipiente brevemente para asegurar que el combustible esté completamente mezclado. Siempre lea y siga las instrucciones de seguridad que tienen que ver con el combustible antes de abastecer el aparato.

IMPORTANTE

La experiencia indica que los combustibles mezclados con alcohol, (los llamados gasohol o los que tienen etanol o metanol) pueden atraer humedad, lo que puede causar la separación y la formación de ácidos durante el almacenamiento. La gasolina ácida puede dañar el sistema de combustible del motor durante el almacenamiento. Para evitar problemas con el motor, deberá vaciarse el sistema de combustible antes de almacenar el aparato por 30 días o más. Vacía el tanque de combustible, ponga el motor en marcha y déjelo en marcha hasta que las líneas de combustible y el carburador queden vacíos. Use combustible fresco en la próxima temporada. Nunca use productos de limpieza de motor o carburador en el tanque de combustible ya que de hacerlo puede provocar daños permanentes. Un estabilizador de combustible es una alternativa aceptable para minimizar la formación de depósitos de goma en el combustible durante el almacenamiento. El aceite de la

marcha Craftsman viene ya mezclado con estabilizador de combustible. Vea la sección de ALMACENAJE para más información.

AVISO: El aparato se debe poner de lado al agregar el combustible (vea la ilustración abajo).



PARA DETENER EL MOTOR

- Para detener el motor, mueva la palanca del acelerador a la posición STOP.

PARA PONER EN MARCHA EL MOTOR


- ⚠ ADVERTENCIA:** Es OBLIGATORIO asegurarse que los tubos estén bien fijos antes de usar el aparato.
- Abastezca el motor. Apártese por lo menos 3 metros (10 pies) del lugar de abastecimiento.
 - Sostenga el aparato en la posición de arranque ilustrada. Asegúrese de que la boquilla de propulsión no esté direccionada hacia personas, animales, vidrieras y otros objetos sólidos.

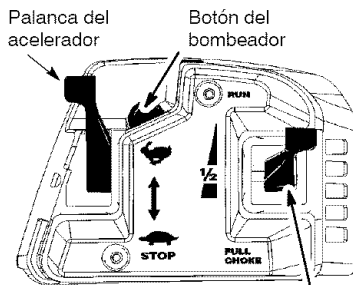


- ⚠ ADVERTENCIA:** Al arrancar el motor, sostenga el aparato como se ilustra en la figura. Apoye el aparato

exclusivamente en una superficie limpia y sólida siempre que vaya a efectuar el arranque y siempre que tenga que apoyar el aparato con el motor en marcha. Los escombros tales como gravilla, arena, tierra, césped, etc., pueden ser succionados por la entrada de aire y arrojados por la salida de propulsión, dañando el aparato u otros bienes o causando graves heridas a espectadores o al usuario.

PARA ARRANCAR CON MOTOR FRIO


1. Lentamente, presione el botón del bombeador 8 veces.
2. Mueva la palanca del cebador a la posición FULL CHOKE.
3. Mueva la palanca del acelerador a la posición .



Palanca del cebador

4. Firmemente, tire del mango de la cuerda de arranque hasta que el motor intente arrancar, pero no más de 5 tirones (en temperaturas bajo los 30° F, 8 tirones).

AVISO: Si el motor intenta arrancar antes del quinto tirón del mango, pase al siguiente paso de inmediato.


5. Mueva la palanca del cebador a la posición HALF CHOKE.
6. Firmemente, tire del arranque hasta que el motor arranque, pero no más de 5 tirones (en temperaturas bajo los 30° F, 10 tirones).
7. Después de calentar por 5 segundos, mueva la palanca del cebador a la posición RUN.
8. Permita que el aparato siga en marcha por otros 30 segundos en la posición RUN antes de mover la palanca del acelerador a la posición .

Si el motor no ha arrancado después del quinto tirón del mango de arranque (en la posición HALF CHOKE), repita el procedimiento PARA ARRANCAR CON MOTOR FRIO. Si el motor persiste sin arrancar, proceda con el procedimiento bajo el título ARRANQUE DE MOTOR AHOGADO.

9. Para detener el motor, mueva la palanca del acelerador a la posición STOP.

PARA ARRANCAR CON EL MOTOR CALIENTE

AVISO: Si el tanque de combustible está vacío, agregue el combustible; luego, siga el procedimiento PARA ARRANCAR CON MOTOR FRIO. No llene el tanque de combustible mientras el motor está caliente.

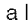
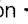
1. Mueva la palanca del acelerador a la posición .
2. Firmemente, tire del mango de arranque hasta que el motor arranque, pero no más de 5 tirones.

AVISO: Si el motor no arranca, tire del mango de arranque firmemente otras

5 veces. Si el motor persiste sin arrancar, probablemente se encuentre ahogado. Proceda con la sección ARRANQUE DE MOTOR AHOGADO.

3. Para detener el motor, mueva la palanca del acelerador a la posición STOP.

ARRANQUE DE MOTOR AHOGADO


Los motores que se encuentren ahogados podrán ponerse en marcha colocando la palanca del cebador en la posición RUN. Mueva la palanca del acelerador a la posición ; luego, tire de la cuerda de arranque hasta que el motor se ponga en marcha. Después que el motor se haya puesto en marcha, mueva la palanca del acelerador a la posición  para permitir que el motor quede en marcha lenta.

Para que el motor arranque, posiblemente tendrá que tirar de la cuerda de arranque muchas veces. Esto depende de cuán ahogado se encuentre el motor.


Si el aparato persiste sin arrancar, vea la TABLA DIAGNÓSTICA de este manual o llame al 1-800-235-5878.


MANTENIMIENTO

RESPONSABILIDAD DEL USUARIO

 **ADVERTENCIA:** Desconecte la bujía antes de realizar mantenimiento, servicio, o ajustes.

TAREA DE CUIDADO Y MANTENIMIENTO	CUANDO HACER
Verificar que no haya fijadores flojos ni piezas sueltas	Antes de cada uso
Verificar que no haya piezas dañadas o gastadas	Antes de cada uso
Inspeccione y limpie el aparato y sus placas	Después de cada uso
Limpiar el filtro de aire	Cada 5 horas de uso
Inspeccione silenciador y la rejilla antichispa	Cada 50 horas de uso
Cambie la bujía	Anualmente
Cambie el filtro del combustible	Anualmente
Verifique los tornillos del silenciador	Anualmente

 **ADVERTENCIA:** Evite hacer contacto con el silenciador a no ser que el motor y el silenciador se encuentren fríos. El contacto con un silenciador caliente puede causar quemaduras de gran envergadura.

 **ADVERTENCIA:** Detenga el motor y asegúrese de que las cuchillas del impulsor no se encuentren girando antes de abrir la compuerta de entrada de aire del aspirador o de intentar introducir o remover los tubos

de aspiración o los tubos de propulsión. Las cuchillas girantes podrían causar serios accidentes. Siempre desconecte la bujía antes de hacer cualquier mantenimiento o de tener acceso a piezas móviles.

RECOMENDACIONES GENERALES

La garantía de este aparato no cubre los artículos que han sido sometidos al abuso o a la negligencia por parte del usuario. Para recibir el valor completo de la garantía, el usuario deberá mantener el aparato según las instruc-

ciones en este manual. Hará falta hacer varios ajustes periódicamente para mantener el aparato de forma debida.

VERIFICAR QUE NO HAYA PIEZAS SUELTAS NI FIJADORES FLOJOS

- Capucha de la Bujía
- Filtro de Aire
- Tornillos de la Caja

VERIFICAR QUE NO HAYA PIEZAS DAÑADAS NI GASTADAS

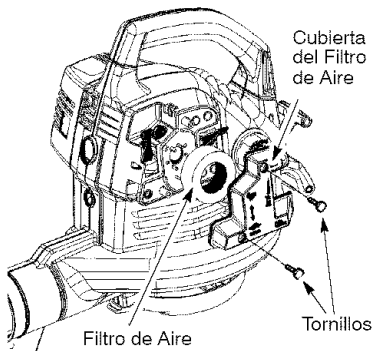
Entre en contacto con el Centro de Servicio Sears para el reemplazo de piezas dañadas o desgastadas.

- Palanca del acelerador- Asegúrese de que la palanca del acelerador funcione de forma apropiada moviéndola a la posición STOP. Asegúrese de que el motor se detenga; luego, vuelva a poner en marcha el motor y continúe.
- Tanque de Combustible. Para de usar el aparato si hay indicios de daños o pérdidas en el tanque de combustible.
- Bolsa de la Aspiradora. Pare de usar la bolsa de aspiración si se encuentra de alguna manera rota o dañada.

INSPECCIONE Y LIMPIE EL APARATO Y SUS PLACAS

- Después de que cada uso, inspeccione la aparato completa para saber si hay piezas flojas o dañadas. Limpie el aparato y las placas usando un trapo húmedo con un detergente suave.
- Séquelo con un trapo limpio.

LIMPIE EL FILTRO DE AIRE



Los filtros de aire sucios disminuyen el rendimiento del motor e incrementan el consumo de combustible y la producción de emisiones nocivas. Siempre limpie el filtro de aire después cada 5 horas de uso.

Limpieza del filtro del aire:

1. Limpie la cubierta y el área contigua para evitar que caiga tierra en la cámara del carburador cuando remueva la cubierta.
 2. Retire las piezas como se ilustra.
- AVISO:** No limpie el filtro de aire con gasolina ni ningún otro solvente inflamable, ya que de hacerlo puede crear peligro de incendio y de emisiones evaporativas nocivas.
3. Lave el filtro con agua y jabón.
 4. Permita que el filtro se seque.
 5. Aplique varias gotas de aceite al filtro; a oprima el filtro para distribuir el aceite.
 6. Reponga las piezas.

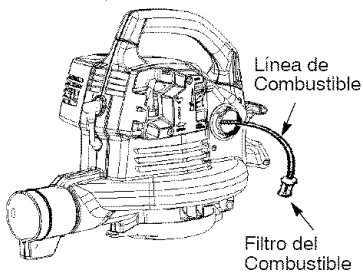
CAMBIE LA BUJÍA

Cambie la bujía anualmente. La separación de los electrodos de la bujía deberá ser de 0,025 de pulgada. El encendido es fijo y no es ajustable.

1. Gire y luego retire la capucha de la bujía.
2. Retire la bujía del cilindro y deséchela.
3. Cámbiela por una bujía CJ-6Y y ajústela con una llave de 3/4 de pulgada.
4. Vuelva a instalar la capucha.

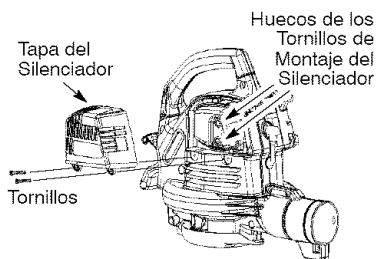
CAMBIE EL FILTRO DEL COMBUSTIBLE

Para cambiar el filtro del combustible, vacíe el aparato de todo combustible dejando el motor en marcha hasta que se detenga. Luego, remueva el montaje de la tapa/retenedor del tanque. Tire del filtro que se encuentra en el tanque y retírelo de la línea de combustible. Instale un filtro nuevo en la línea de combustible; vuelva a instalar todas las piezas.



VERIFIQUE LOS TORNILLOS DE MONTAJE DEL SILENCIADOR


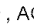
Para prevenir daños, asegúrese anualmente de que los tornillos de montaje del silenciador se encuentren seguros y apropiadamente ajustados.



1. Afloje y retire los 2 tornillos de la tapa del silenciador.
2. Remueva la tapa del silenciador.
3. Apriete firmemente los 2 tornillos de montaje.

4. Reinstale la tapa del silenciador y los 2 tornillos. Apriete firmemente.

AJUSTE AL CARBURADOR

No hay tornillo para el ajuste de la marcha lenta en su propulsor de aire. La palanca del acelerador se utiliza para ajuste de las revoluciones de la motor. La palanca del acelerador se puede colocar en una de cuatro posiciones: PARE, MARCHA LENTA o , ACELERADOR ABIERTO o , y una posición intermitente. Si su motor no funciona correctamente o si usted necesita más ayuda, entre en contacto con un Centro de Servicio Sears o llame a nuestro teléfono de ayuda al consumidor, al 1-800-235-5878.

ALMACENAJE

⚠ ADVERTENCIA: Realice los siguientes pasos después de cada uso:

- Permita que el motor se enfríe y fije bien el aparato antes de guardarlo o transportarlo.
- Guarde el aparato y el combustible en un lugar bien ventilado donde los vapores de combustible no puedan entrar en contacto con chispas o llamas abiertas provenientes de termotanques, motores o interruptores eléctricos, calefactores centrales, etc.
- Guarde el aparato con todos los protectores en su lugar y coloque el aparato de modo que las piezas filosas no puedan causar heridas por accidente.
- Guarde el aparato y el combustible completamente fuera del alcance de los niños.

ESTACIONAL ALMACENAJE

Prepare el aparato para el almacenaje al final de la temporada o si ca a estar sin usar por más de 30 días.

Si va a almacenar el aparato durante un periodo largo de tiempo:

- Limpie el aparato por completo antes del almacenaje.
- Almacene en un área limpia y seca.
- Aplique una pequeña cantidad de aceite a las superficies externas metálicas.

SISTEMA DE COMBUSTIBLE

Vacíe el sistema de combustible antes de almacenar el aparato por 30 días o más. Vacíe el tanque de combustible, ponga el motor en marcha y déjelo en marcha hasta que las líneas de combustible y el carburador estén vacíos.

Use combustible fresco para la próxima temporada.

Bajo el ABASTECIMIENTO DEL MOTOR, en la sección de USO de este manual, vea el mensaje marchado como **IMPOR-TANTE** referente al uso de gasohol en su motor.

Los estabilizadores de combustible son una alternativa aceptable para minimizar la formación de los depósitos de goma durante el almacenaje. Añada estabilizador a la gasolina en el tanque de combustible o en el recipiente para almacenaje de combustible. Siga las instrucciones de mezcla que se encuentran en los envases del estabilizador. Ponga el motor en marcha y déjelo en marcha por lo menos 3 minutos después de haberle puesto el estabilizador. El aceite de la marca Craftsman 40:1 para motores a 2 tiempos (enfriados a aire) ya viene mezclado con estabilizador de combustible. Si no usa este aceite, entonces puede añadir un estabilizador al tanque de combustible.

MOTOR

- Retire la bujía y vierta una cucharadita de aceite 40:1 para motores de 2 tiempos (enfriados a aire) por la abertura de la bujía. Lentamente tire de la cuerda de arranque de 8 a 10 veces para distribuir el aceite.
- Reemplace la bujía con otra nueva del tipo y de la gama de calor recomendados.
- Limpie el filtro de aire.
- Examine todo el aparato para verificar que no hayan tornillos, quebradas o gastadas.

- Al principio de la próxima temporada, use exclusivamente combustible nuevo con la proporción correcta de gasolina y aceite.

OTROS

- No guarde la gasolina de una temporada a la siguiente.
- Cambie el recipiente de gasolina si se empieza a oxidar.

TABLA DIAGNOSTICA

⚠ ADVERTENCIA: Siempre apague el aparato y desconecte la bujía antes de hacer cualquiera de las reparaciones recomendadas a continuación que no requieran que la unidad esté en operación.

SINTOMA	CAUSA	SOLUCION
El motor no arranca.	<ol style="list-style-type: none"> 1. El motor está ahogado. 2. El tanque de combustible está vacío. 3. La bujía no está haciendo chispa. 4. El combustible no está llegando al carburador. 5. La compresión está baja. 	<ol style="list-style-type: none"> 1. Vea "Arranque de Motor Ahogado" en la sección Uso. 2. Llene el tanque con la mezcla correcta de combustible. 3. Instale una bujía nueva. 4. Verifique si el filtro de combustible no está sucio; cámbielo. Verifique si hay dobleces en la línea de combustible o si está partida; repárela o cámbiela. 5. Entre en contacto con el Servicio Sears (vea parte trasera del manual).
El motor no anda en marcha lenta como debe.	<ol style="list-style-type: none"> 1. El combustible no está llegando al carburador. 2. El carburador requiere ajuste. 3. Las lunas del cigüeñal están gastadas. 4. La compresión está baja. 	<ol style="list-style-type: none"> 1. Verifique si el filtro de combustible no está sucio; cámbielo. Verifique si hay dobleces en la línea de combustible o si está partida; repárela o cámbiela. 2. Entre en contacto con el Servicio Sears (vea parte trasera del manual). 3. Entre en contacto con el Servicio Sears (vea parte trasera del manual). 4. Entre en contacto con el Servicio Sears (vea parte trasera del manual).
El motor no acelera, le falta potencia o se para bajo carga.	<ol style="list-style-type: none"> 1. El filtro de aire está sucio. 2. El combustible no está llegando al carburador. 3. La bujía está carbonizada. 4. El carburador requiere ajuste. 5. Acumulación de carbón. 6. La compresión está baja. 	<ol style="list-style-type: none"> 1. Limpie o cambie el filtro de aire. 2. Verifique si el filtro de combustible no está sucio; cámbielo. Verifique si hay dobleces en la línea de combustible o si está partida; repárela o cámbiela. 3. Limpie o cambie la bujía y calibre la separación. 4. Entre en contacto con el Servicio Sears (vea parte trasera del manual). 5. Entre en contacto con el Servicio Sears (vea parte trasera del manual). 6. Entre en contacto con el Servicio Sears (vea parte trasera del manual).
El motor humea excesivamente	<ol style="list-style-type: none"> 1. El cebador está parcialmente accionado. 2. La mezcla de combustible se ha hecho incorrectamente. 3. El filtro de aire está sucio. 4. El carburador requiere ajuste. 	<ol style="list-style-type: none"> 1. Ajuste el cebador. 2. Vacíe el tanque de combustible y llénelo de combustible con la mezcla correcta. 3. Limpie o cambie el filtro de aire. 4. Entre en contacto con el Servicio Sears (vea parte trasera del manual).
El motor marcha con temperatura elevada.	<ol style="list-style-type: none"> 1. La mezcla de combustible está se he hecho incorrectamente. 2. Se ha instalado la bujía incorrecta. 3. El carburador requiere ajuste. 4. Acumulación de carbón. 	<ol style="list-style-type: none"> 1. Vea "Abastecimiento del Motor" en la sección Uso. 2. Cambie por la bujía correcta. 3. Entre en contacto con el Servicio Sears (vea parte trasera del manual). 4. Entre en contacto con el Servicio Sears (vea parte trasera del manual).

DECLARACION DE GARANTIA DE CONTROL DE EMISION U.S. EPA/CALIFORNIA

SUS DERECHOS Y OBLIGACIONES

DE GARANTIA: La Agencia de Protección Ambiental de los Estados Unidos, la Junta de Recursos Ambientales de California y Sears, Roebuck and Co., U.S.A., se complacen en explicar la garantía con la que cuenta el sistema de control de emisión en su motor pequeño, modelo 2007 y más adelante, para uso fuera de carretera. En California, todos los motores pequeños para uso fuera de carretera deben ser diseñados, construidos y equipados para satisfacer las rigurosas normas antihumo que posee el estado. Sears deberá garantizar el sistema de control de emisión en su máquina de motor pequeño para uso fuera de carretera por los períodos de tiempo que explicamos a continuación y con la condición de que su máquina de motor pequeño para uso fuera de carretera no haya sufrido ningún tipo de abuso, negligencia o mantenimiento inapropiado. Su sistema de control de emisión incluye piezas tales como el carburador, el sistema de ignición y el tanque de combustible (solamente en California). Donde exista una condición que requiera reparación bajo garantía, Sears reparará gratis su motor pequeño para uso fuera de carretera. Los gatos cubiertos bajo la garantía incluyen el diagnóstico, las piezas y labor.

CUBIERTA DE GARANTIA DEL FABRICANTE: Si cualquier pieza relacionada con el sistema de emisión de su motor (como hemos enumerado en la lista de piezas de control de emisión bajo garantía) se encontrara defectuosa o defectos en el material o en la labor del motor causaran que tal pieza comenzara a fallar, la pieza será reparada o reemplazada por Sears.

GARANTIA DE RESPONSABILIDAD DEL DUEÑO: Como dueño de una máquina de motor pequeño para uso fuera de carretera, usted será responsable por el mantenimiento adecuado en los períodos previamente programados y enumerados en su manual del usuario. Sears recomienda que guarde todos los recibos que indiquen que se ha desempeñado mantenimiento en su máquina de motor pequeño para uso fuera de carretera, pero Sears no podrá negar el ser-

vicio bajo garantía únicamente a causa de la falta de recibos o por el incumplimiento de su parte en asegurarse que el mantenimiento programado haya sido desempeñado. Como dueño de una máquina de motor pequeño para uso fuera de carretera, usted deberá contar con el conocimiento de que Sears puede negar la cubierta bajo garantía si su máquina de motor pequeño para uso fuera de carretera o alguna pieza de la misma ha dejado de funcionar debido al abuso, negligencia, mantenimiento inapropiado, modificaciones no aprobadas o el uso de piezas que no hayan sido fabricadas o aprobadas por el fabricante original del equipo. Es responsabilidad suya el llevar su máquina de motor pequeño para uso fuera de carretera a un centro de reparación autorizado Sears tan pronto como se presente el problema. Las reparaciones bajo garantía deberán ser completadas en un período de tiempo razonable, que no exceda los 30 días. Si cuenta usted con alguna pregunta en relación a sus derechos y responsabilidades de garantía, usted deberá comunicarse con su centro de servicio autorizado más cercano o llamar a Sears al 1-800-469-4663.

FECHA DEL COMIENZO DE LA GARANTIA: El período de garantía comienza en la fecha de compra de la máquina de motor pequeño para uso fuera de carretera.

DURACION DE LA GARANTIA: Esta garantía cuenta con un período de duración de dos años comenzando en la fecha inicial de compra.

QUE CUBRE LA GARANTIA: REPARACION O REEMPLAZO DE PIEZAS. La reparación o el reemplazo de cualquier pieza garantizada serán desempeñados y ofrecidos al dueño sin costo alguno en un Centro de Servicio Sears. Si cuenta usted con alguna pregunta en relación a sus derechos y responsabilidades de garantía, usted deberá comunicarse con su centro de servicio autorizado más cercano o llamar a Sears al 1-800-469-4663.

PERIODO DE GARANTIA: Cualquier pieza garantizada que no esté programada para ser reemplazada como parte del mantenimiento requerido, o que esté programada únicamente para

inspección regular para efectos de "reparación o reemplazo si fuera necesario" deberá garantizarse por un período de dos años. Cualquier pieza garantizada que esté programada para ser reemplazada como parte del mantenimiento requerido deberá estar garantizada por el período de tiempo que comienza en la fecha de compra inicial hasta la fecha del primer reemplazo programado para dicha pieza. **DIAGNOSTICO:** No se deberá cobrar al dueño ningún tipo de cargos por la labor de diagnóstico la cual determine que una pieza garantizada se encuentra defectuosa si el trabajo de diagnóstico ha sido desempeñado por un Centro de Servicio Sears. **DANOS POR CONSECUENCIA:** Sears podrá ser responsable de daños ocurridos a otras piezas del motor causados por la falla de una pieza garantizada que se encuentre bajo el período de garantía. **QUE NO CUBRE LA GARANTIA:** Todas las fallas causadas por el abuso, negligencia o mantenimiento inapropiado no están cubiertas. **PIEZAS AÑADIDAS O MODIFICADAS:** El uso de piezas añadidas o la modificación de piezas podrán servir como base para que se anule la reclamación de garantía. La garantía de Sears no se responsabiliza por el mal funcionamiento debido al uso de piezas añadidas o de piezas modificadas.

COMO ENTABLAR UNA RECLAMACION: Si cuenta usted con alguna pregunta relacionada con sus derechos y responsabilidades de garantía, usted deberá entrar en contacto con su centro de servicio autorizado más cercano o llamar a Sears al 1-800-469-4663. **DONDE OBTENER SERVICIO DE GARANTIA:** Servicio o reparaciones bajo garantía deberán ser provistas en todos los Centros de Servicio Sears. Por favor comuníquese al 1-800-469-4663. **MANTENIMIENTO, REEMPLAZO Y REPARACION DE PIEZAS RELACIONADAS CON LA EMISION:** Cualquier pieza de repuesto Sears aprobada y utilizada en el desempeño de cualquier servicio de mantenimiento o servicio de reparación bajo garantía de piezas relacionadas con la emisión será provisto sin costo alguno al dueño si la pieza se encuentra bajo garantía. **LISTA SE PIEZAS DE CONTROL DE EMISION GARANTIZADAS:** Carburador, Sistema de Ignición: Bujía (cubierta hasta la fecha de mantenimiento programada), Módulo de Ignición, Silenciador incluyendo el Catalizador, Tanque de Combustible (solamente en California). **DECLARACION DE MANTENIMIENTO:** El dueño es responsable de adquirir todo el mantenimiento requerido como lo define en el manual del usuario.

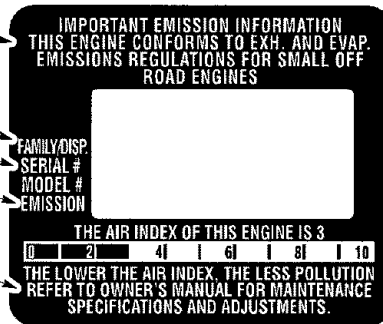
La información en la etiqueta del producto indica las normas de certificación de su motor. Ejemplo: (Año) EPA Fase 1 o Fase 2 y/o CALIFORNIA.

Información importante en relación al motor. Este motor satisface las regulaciones de emisión para motores pequeños operados fuera de la carretera.

Familia
De Serie

Horas de la durabilidad del motor

Vea el manual de instrucciones para especificaciones de mantenimiento y ajustes.



Se certifica este motor para satisfacer los requisitos de emisión para los usos siguientes:

- Moderado (50 horas)
- Intermedio (125 horas)
- Extendido (300 horas)



Get it fixed, at your home or ours!

Your Home

For repair – in your home – of all major brand appliances, lawn and garden equipment, or heating and cooling systems, **no matter who made it, no matter who sold it!**

For the replacement parts, accessories and owner's manuals that you need to do-it-yourself.

For Sears professional installation of home appliances and items like garage door openers and water heaters.

1-800-4-MY-HOME® Anytime, day or night
(1-800-469-4663) (U.S.A. and Canada)
www.sears.com www.sears.ca

Our Home

For repair of carry-in products like vacuums, lawn equipment, and electronics, call or go on-line for the nearest **Sears Parts and Repair Center.**

1-800-488-1222 Anytime, day or night (U.S.A. only)
www.sears.com

To purchase a protection agreement (U.S.A.) or maintenance agreement (Canada) on a product serviced by Sears:

1-800-827-6655 (U.S.A.) **1-800-361-6665** (Canada)

Para pedir servicio de reparación a domicilio, y para ordenar piezas:

1-888-SU-HOGARSM
(1-888-784-6427)

Au Canada pour service en français:

1-800-LE-FOYER^{MC}
(1-800-533-6937)
www.sears.ca



© Sears, Roebuck and Co.

® Registered Trademark / ™ Trademark / SM Service Mark of Sears, Roebuck and Co.

® Marca Registrada / ™ Marca de Fábrica / SM Marca de Servicio de Sears, Roebuck and Co.

^{MC} Marque de commerce / ^{MD} Marque déposée de Sears, Roebuck and Co.