

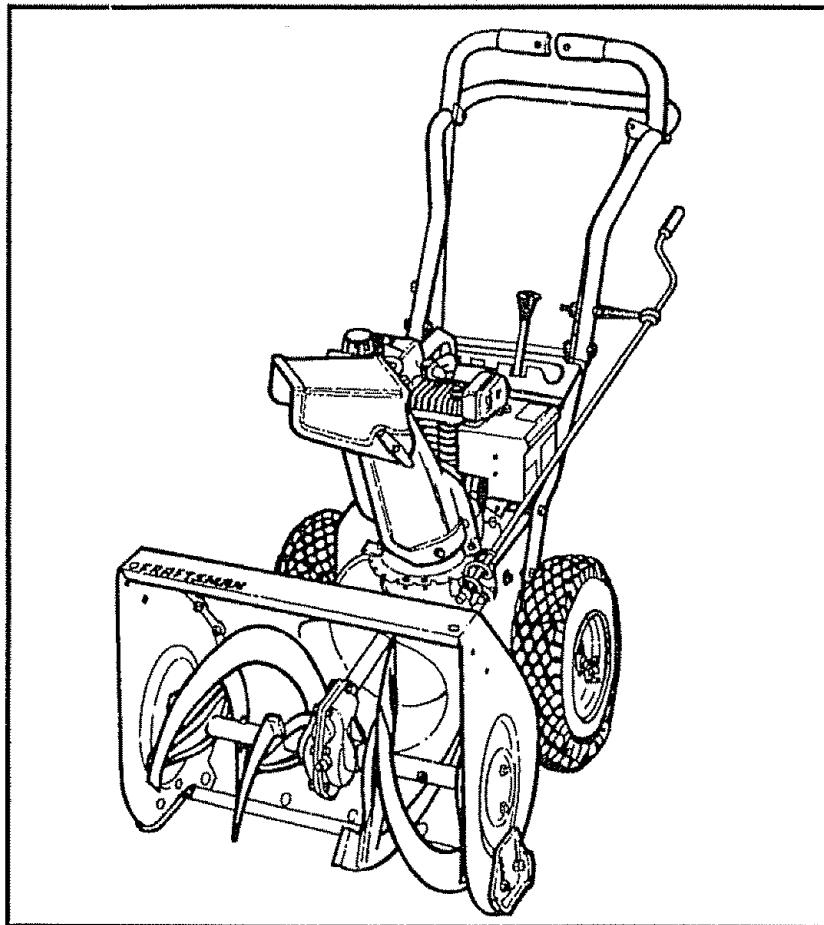
**IMPORTANT MANUAL**

**DO NOT THROW AWAY**

**SEARS  
OWNER'S  
MANUAL**

**MODEL NO.  
536.886531**

**Caution:  
Read and Follow  
All Safety Rules  
and Instructions  
Before Operating  
This Equipment**



**CRAFTSMAN®**

**5 HORSEPOWER  
22" DUAL STAGE  
SNOW THROWER  
Optional electric start**

- Assembly
- Operation
- Customer Responsibilities
- Service and Adjustments
- Repair Parts

**SEARS, ROEBUCK AND CO., Hoffman Estates, IL 60195 U.S.A.**

## SAFETY RULES



CAUTION: ALWAYS DISCONNECT SPARK PLUG WIRE AND PLACE WIRE WHERE IT CANNOT CONTACT SPARK PLUG TO PREVENT ACCIDENTAL STARTING WHEN SETTING-UP, TRANSPORTING, ADJUSTING OR MAKING REPAIRS.



### IMPORTANT

SAFETY STANDARDS REQUIRE OPERATOR PRESENCE CONTROLS TO MINIMIZE THE RISK OF INJURY. YOUR SNOW THROWER IS EQUIPPED WITH SUCH CONTROLS. DO NOT ATTEMPT TO DEFEAT THE FUNCTION OF THE OPERATOR PRESENCE CONTROL UNDER ANY CIRCUMSTANCES.

#### TRAINING

1. Read the operator's manual carefully. Be thoroughly familiar with the controls and the proper use of the snow thrower. Know how to stop the snow thrower and disengage the controls quickly.
2. Never allow children to operate the snow thrower and keep them away while it is operating. Never allow adults to operate the snow thrower without proper instruction. Do not carry passengers.
3. Keep the area of operation clear of all persons, particularly small children, and pets.
4. Exercise caution to avoid slipping or falling, especially when operating in reverse.

#### PREPARATION

1. Thoroughly inspect the area where the snow thrower is to be used and remove all doormats, sleds, boards, wires, and other foreign objects.
2. Disengage all clutches and shift into neutral before starting the engine (motor).
3. Do not operate the snow thrower without wearing adequate winter outer garments. Wear footwear that will improve footing on slippery surfaces.
4. Handle fuel with care; it is highly flammable.
  - (a) Use an approved fuel container.
  - (b) Never remove fuel tank cap or add fuel to a running engine or hot engine.
  - (c) Fill fuel tank outdoors with extreme care. Never fill fuel tank indoors.
  - (d) Replace fuel tank cap securely and wipe up spilled fuel.
  - (e) Never store fuel or snow thrower with fuel in the tank inside of a building where fumes may reach an open flame or spark.
  - (f) Check fuel supply before each use, allowing space for expansion as the heat of the engine (motor) and/or sun can cause fuel to expand.
5. Use extension cords and receptacles as specified by the manufacturer for all snow throwers with electric drive motors or electric starting motors.

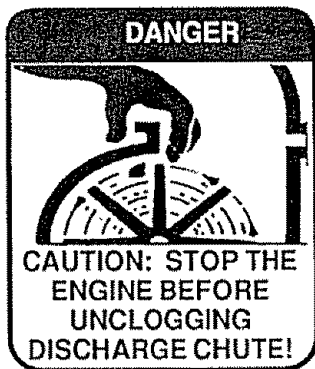
6. Adjust the snow thrower height to clear gravel or crushed rock surfaces.
7. Never attempt to make any adjustments while the engine (motor) is running (except when specifically recommended by the manufacturer).
8. Let engine (motor) and snow thrower adjust to outdoor temperatures before starting to clear snow.
9. Always wear safety glasses or eye shields during operation or while performing an adjustment or repair to protect eyes from foreign objects that may be thrown from the snow thrower.

#### OPERATION

1. Do not put hands or feet near or under rotating parts. Keep clear of the discharge opening at all times.
2. Exercise extreme caution when operating on or crossing gravel drives, walks, or roads. Stay alert for hidden hazards or traffic.
3. After striking a foreign object, stop the engine (motor), remove the wire from the spark plug, disconnect the cord on electric motors, thoroughly inspect the snow thrower for any damage, and repair the damage before restarting and operating the snow thrower.
4. If the snow thrower should start to vibrate abnormally, stop the (motor) and check immediately for the cause. Vibration is generally a warning of trouble.
5. Stop the engine (motor) whenever you leave the operating position, before unclogging the auger/impeller housing or discharge guide, and when making any repairs, adjustments, or inspections.
6. When cleaning, repairing, or inspecting, make certain the auger/impeller and all moving parts have stopped. Disconnect the spark plug wire and keep the wire away from the plug to prevent accidental starting.
7. Take all possible precautions when leaving the snow thrower unattended. Disengage the auger/impeller, shift to neutral, stop engine, and remove key.

## SAFETY RULES

8. Do not run the engine indoors, except when starting the engine and for transporting the snow thrower in or out of the building. Open the outside doors; exhaust fumes are dangerous (containing CARBON MONOXIDE, an ODORLESS and DEADLY GAS).
9. Do not clear snow across the face of slopes. Exercise caution when changing direction on slopes. Do not attempt to clear steep slopes.
10. Never operate the snow thrower without proper guards, plates or other safety protective devices in place.
11. Never operate the snow thrower near glass enclosures, automobiles, window wells, drop-offs, and the like without proper adjustment of the snow discharge angle. Keep children and pets away.
12. Do not overload the machine capacity by attempting to clear snow at too fast a rate.
13. Never operate the snow thrower at high transport speeds on slippery surfaces. Look behind and use care when backing.
14. Never direct discharge at bystanders or allow anyone in front of the snow thrower.
15. Disengage power to the auger/impeller when snow thrower is transported or not in use.
16. Use only attachments and accessories approved by the manufacturer of the snow thrower (such as tire chains, electric start kits, etc.).
17. Never operate the snow thrower without good visibility or light. Always be sure of your footing, and keep a firm hold on the handles. Walk; never run.



## MAINTENANCE AND STORAGE

1. Check shear bolts and other bolts at frequent intervals to be sure the snow thrower is in safe working condition.
2. Never store the snow thrower with fuel in the fuel tank inside a building where ignition sources are present such as hot water and space heaters, clothes dryers, and the like. Allow the engine to cool before storing in any enclosure.
3. Always refer to operator's manual instructions for important details if the snow thrower is to be stored for an extended period.
4. Maintain or replace safety and instruction labels, as necessary.
5. Run the snow thrower a few minutes after throwing snow to prevent freeze-up of the auger/impeller.

### WARNING

This snow thrower is for use on sidewalks, driveways, and other ground level surfaces. CAUTION should be exercised while using on steep sloping surfaces. DO NOT USE SNOW THROWER ON SURFACES ABOVE GROUND LEVEL such as roofs of residences, garages, porches or other such structures or buildings.



LOOK FOR THIS SYMBOL TO POINT OUT IMPORTANT SAFETY PRECAUTIONS. IT MEANS--ATTENTION!!! BECOME ALERT!!! YOUR SAFETY IS INVOLVED.

**CONGRATULATIONS** on your purchase of a Sears Craftsman Snow Thrower. It has been designed, engineered and manufactured to give you the best possible dependability and performance.

Should you experience any problem you cannot easily remedy, please contact your nearest Sears Service Center/Department. Sears has competent, well-trained technicians and the proper tools to service or repair this unit.

Please read and retain this manual. The instructions will enable you to assemble and maintain your snow thrower properly. Always observe the "SAFETY RULES."

MODEL NUMBER 536 886531
SERIAL NUMBER _____
DATE OF PURCHASE _____
THE MODEL AND SERIAL NUMBERS WILL BE FOUND ON A DECAL ATTACHED TO THE REAR OF THE SNOW THROWER HOUSING
YOU SHOULD RECORD BOTH SERIAL NUMBER AND DATE OF PURCHASE AND KEEP IN A SAFE PLACE FOR FUTURE REFERENCE

## PRODUCT SPECIFICATIONS

HORSE POWER:	5 hp
DISPLACEMENT:	12.04 cu. in.
GASOLINE CAPACITY:	2 quarts Unleaded
OIL (21 oz. Capacity):	SAE 5W-30
SPARK PLUG : (GAP .030 in.)	Champion RJ19LM
VALVE CLEARANCE:	Intake: .010 In. Exhaust: .010 In.

## MAINTENANCE AGREEMENT

A Sears Maintenance Agreement is available on this product. Contact your nearest Sears Store for details.

## CUSTOMER RESPONSIBILITIES

- Read and observe the safety rules.
- Follow a regular schedule in maintaining, caring for and using your snow thrower.
- Follow the instructions under "Customer Responsibilities" and "Storage" sections of this owner's manual.

## TWO YEAR LIMITED WARRANTY ON CRAFTSMAN SNOW THROWER

For two years from the date of purchase, when this Craftsman Snow Thrower is maintained, lubricated and tuned-up according to the instructions in the owner's manual, Sears will repair, free of charge, any defect in material and workmanship.

If this Craftsman Snow Thrower is used for commercial or rental purposes, this warranty applies for only 90 days from the date of purchase.

This warranty does not cover the following:

- Expendable items which become worn during normal use, such as spark plugs, drive belts and shear pins
- Repairs necessary because of operator abuse or negligence, including bent crankshafts and the failure to maintain the equipment according to the instructions contained in the owner's manual

WARRANTY SERVICE IS AVAILABLE BY RETURNING THE CRAFTSMAN SNOW THROWER TO THE NEAREST SEARS SERVICE CENTER/DEPARTMENT IN THE UNITED STATES. THIS WARRANTY APPLIES ONLY WHILE THIS PRODUCT IS IN USE IN THE UNITED STATES.

This warranty gives you specific legal rights, and you may also have other rights which may vary from state to state.

SEARS, ROEBUCK AND CO Department 731CR-W, Hoffman Estates, IL 60195

## TABLE OF CONTENTS

SAFETY RULES .....	2,3	SERVICE AND ADJUSTMENTS .....	17-23
PRODUCT SPECIFICATIONS .....	4	STORAGE .....	24
CUSTOMER RESPONSIBILITIES .....	4,15,16	SERVICE RECOMMENDATIONS .....	25
WARRANTY .....	4	TROUBLE SHOOTING .....	26
TABLE OF CONTENTS .....	5	REPAIR PARTS (SNOW THROWER) .....	28-37
INDEX .....	5	REPAIR PARTS (ENGINE) .....	38-42
ASSEMBLY .....	6-9	PARTS ORDERING/SERVICE .....	Back Cover
OPERATION .....	10-14		

## INDEX

<p style="text-align: center;"><b>A</b></p> <p>Adjustment:</p> <ul style="list-style-type: none"> <li>Belt ..... 18,19</li> <li>Belt Guide ..... 20</li> <li>Cable ..... 18</li> <li>Carburetor ..... 13,22</li> <li>Friction Wheel ..... 20,21</li> <li>Spark Plug ..... 23</li> <li>Traction and Auger ..... 18,19</li> </ul> <p>Assembly:</p> <ul style="list-style-type: none"> <li>Crank Assembly ..... 8</li> <li>Shifter Lever ..... 9</li> <li>Skid Height Adjustment ..... 7, 17</li> <li>Unpacking ..... 7</li> </ul> <p style="text-align: center;"><b>B</b></p> <p>Belts:</p> <ul style="list-style-type: none"> <li>Adjust Belts ..... 18,19</li> <li>Belt Guide Adjustment ..... 20</li> <li>Replace Belts ..... 19</li> </ul> <p style="text-align: center;"><b>C</b></p> <p>Cables, Clutch ..... 7, 9, 18</p> <p>Carburetor: ..... 13,24</p> <p>Choke ..... 10, 11, 13</p> <p>Clutch, Levers ..... 10, 11</p> <p>Controls:</p> <ul style="list-style-type: none"> <li>Engine ..... 10, 11, 13, 14</li> <li>Snow Thrower ..... 10</li> </ul> <p>Crank:</p> <ul style="list-style-type: none"> <li>Adjusting Rod ..... 8, 17</li> <li>Assembly ..... 8</li> <li>Operation ..... 11</li> </ul> <p>Customer Responsibilities ..... 4,15,16</p> <ul style="list-style-type: none"> <li>Agreement ..... 4</li> <li>Auger Gear Box ..... 16</li> <li>Auger Shaft ..... 15</li> <li>Engine ..... 16</li> <li>General Recommendations ..... 15</li> <li>Hex Shaft and Gears ..... 16</li> </ul> <p style="text-align: center;"><b>D</b></p> <p>Drive, Auger ..... 11</p> <p>Drive, Traction ..... 11</p> <p>Deflector, Snow Chute ..... 11</p> <p style="text-align: center;"><b>E</b></p> <p>Engine:</p> <ul style="list-style-type: none"> <li>Control ..... 10, 11, 13, 14</li> <li>Oil Cap ..... 12, 16</li> <li>Oil Change ..... 16</li> <li>Oil Level ..... 12, 16</li> <li>Oil Type ..... 4, 12, 16</li> <li>Speed Governor ..... 24</li> <li>Starting, Manually ..... 13</li> <li>Storage ..... 24</li> </ul>	<p style="text-align: center;"><b>F</b></p> <p>Fuel, Type ..... 4, 12</p> <p>Fuel, Storage ..... 12, 24</p> <p>Friction Wheel:</p> <ul style="list-style-type: none"> <li>Adjustment ..... 20</li> <li>Replacement ..... 21</li> </ul> <p style="text-align: center;"><b>G</b></p> <p>Gears:</p> <ul style="list-style-type: none"> <li>Auger Gear Box ..... 16</li> <li>Hex Shaft ..... 16</li> </ul> <p style="text-align: center;"><b>H</b></p> <p>Handle, Upper and Lower ..... 7</p> <p>Height Adjust Skids ..... 7, 17</p> <p>Hex Shaft ..... 16</p> <p style="text-align: center;"><b>I</b></p> <p>Ignition, Key ..... 10, 11, 13, 14</p> <p>Index ..... 5</p> <p style="text-align: center;"><b>L</b></p> <p>Levers:</p> <ul style="list-style-type: none"> <li>Auger Drive Clutch ..... 7, 10, 11, 18</li> <li>Choke ..... 10, 11, 13, 14</li> <li>Shifter ..... 9, 10, 11</li> <li>Throttle Control ..... 10, 11, 13, 14</li> <li>Traction Drive Clutch ..... 7, 10, 11, 18</li> </ul> <p>Lubrication:</p> <ul style="list-style-type: none"> <li>Auger Gear Box ..... 16</li> <li>Auger Shaft ..... 15</li> <li>Chart ..... 25</li> <li>Disc Drive Plate ..... 15</li> <li>Engine ..... 12,16,24</li> <li>Hex Shaft and Gears ..... 16</li> </ul> <p style="text-align: center;"><b>O</b></p> <p>Oil:</p> <ul style="list-style-type: none"> <li>Engine ..... 4, 12, 16</li> <li>Extreme Cold Weather ..... 12,16</li> <li>Storage ..... 24</li> <li>Type ..... 4, 12, 16</li> </ul> <p>Operation:</p> <ul style="list-style-type: none"> <li>Carburetor ..... 13</li> <li>Engine Controls ..... 10, 11, 13,14</li> <li>Operating Snow Thrower ..... 11, 12, 15</li> <li>Lockout Pin, Wheel ..... 12</li> <li>Operating Tips ..... 14</li> <li>Starting the Engine, Recoil ..... 13</li> <li>Snow Thrower Controls ..... 10-12</li> </ul> <p style="text-align: center;"><b>P</b></p> <p>Parts ..... 28-42</p> <p>Primer Button ..... 10, 11, 13</p> <p style="text-align: center;"><b>R</b></p> <p>Repair/Replacement Parts ..... 28-42</p> <p>Recoil Starter ..... 13</p>	<p>Replacements:</p> <ul style="list-style-type: none"> <li>Auger Shear Bolt ..... 22</li> <li>Belts ..... 18,19</li> <li>Friction Wheel ..... 20,21</li> </ul> <p style="text-align: center;"><b>S</b></p> <p>Safety Rules ..... 2, 3</p> <p>Service and Adjustments:</p> <ul style="list-style-type: none"> <li>Auger Housing Height ..... 7, 17</li> <li>Auger Shear Bolt ..... 22</li> <li>Belts ..... 18-19</li> <li>Belt Guide ..... 20</li> <li>Belt Replacements ..... 19</li> <li>Cable ..... 7, 9, 18</li> <li>Carburetor ..... 13,22, 24</li> <li>Friction Wheel ..... 20, 21</li> <li>Spark Plug ..... 23</li> </ul> <p>Service Recommendations ..... 24</p> <p>Spark Plug ..... 16, 23</p> <p>Specifications ..... 4</p> <p>Speed Governor ..... 22</p> <p>Starting the Engine:</p> <ul style="list-style-type: none"> <li>Recoil Start ..... 13</li> </ul> <p>Stopping the Engine ..... 13, 14</p> <p>Stopping the Snow Thrower ..... 11</p> <p>Shipping Carton ..... 6, 7</p> <p>Skid Height ..... 7, 17</p> <p>Shifter Lever ..... 9-11</p> <p>Shear Bolts ..... 22</p> <p>Storage ..... 24</p> <p style="text-align: center;"><b>T</b></p> <p>Table of Contents ..... 5</p> <p>Trouble Shooting Chart ..... 26</p> <p>Tools for Assembly ..... 6</p> <p>Traction Drive Belt ..... 18, 19</p> <p>Tire Pressure ..... 17</p> <p style="text-align: center;"><b>W</b></p> <p>Warranty ..... 4</p> <p>Wheel, Lockout Pin ..... 12</p>
--	--	--

# ASSEMBLY

## CONTENTS OF SHIPPING CARTON

- Snow thrower completely assembled except for the crank assembly, shifter lever knob, and the upper handle, which is in the folded down position
- Parts Bag Containing:
  - 1 - Owner's Manual (Not Shown) and Parts Shown Below:
  - 1 - Container of 5W30 Oil

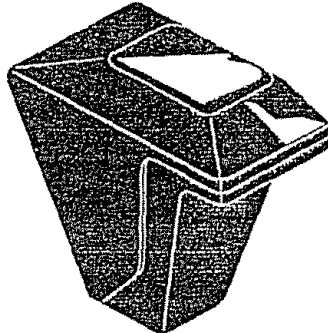
## TOOLS REQUIRED FOR ASSEMBLY

- 1 - Knife (to cut carton and plastic ties)
- 2 - 1/2 inch wrenches (or adjustable wrenches)
- 2 - 9/16 inch wrenches (or adjustable wrenches)
- 2 - 3/4 inch wrenches (or adjustable wrenches)
- 1 - Pliers (to spread cotter pin)
- 1 - Screwdriver
- 1 - Measuring Tape or Ruler

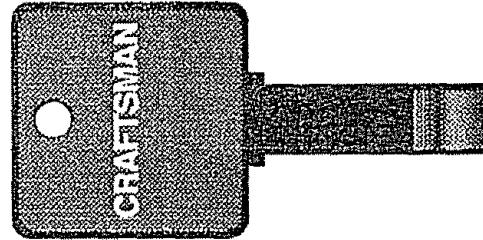
## CONTENTS OF PARTS BAG



\*2 - Spare Shear Bolts  
(1/4-20 x 1-3/4 In.)



1 - Knob With Threads



2 - Ignition Keys



\*2 - Spare 1/4-20 Locknuts



\*2 - Spare 1/4-20 Sleeve Spacers

\*Non-Assembly Parts

# ASSEMBLY

Figure 1 shows the snow thrower in the shipping position. Figure 2 shows the snow thrower completely assembled. Reference to the right and left hand side of the snow thrower is from the operator's position at the handle.

## TO REMOVE SNOW THROWER FROM CARTON (See Fig. 1)

- Remove staples from the top of the carton
- Locate and remove container of 5W30 oil.
- Locate the crank assembly and place the assembly aside.
- Remove and discard the packing material from around snow thrower.
- Cut all four corners of the carton from top to bottom and lay the panels flat.
- Remove the packing material from the control panel and upper handle assembly
- Roll the snow thrower off the carton by pulling on the lower handle.

**CAUTION:** Do Not back over cables.

- To complete upper handle installation and install chute crank assembly, see To Install The Upper Handle and Crank Assembly paragraph on page 8.

**NOTE:** If the cables have become disconnected from the clutch levers, reinstall the cables as shown in Fig. 3.

## HOW TO SET UP YOUR SNOW THROWER

- Your snow thrower is equipped with height adjust skids (See Fig. 2) on the outside of the auger housing. To adjust the skid height for different conditions, see To Adjust Skid Height paragraph on page 17.

**CAUTION:** IF YOU ARE REMOVING SNOW FROM ANY GRAVELED OR UNEVEN SURFACE, RAISE THE FRONT OF THE SNOW THROWER BY MOVING THE SKIDS DOWN. THIS WILL HELP TO PREVENT STONES AND OTHER DEBRIS FROM BEING PICKED UP AND THROWN BY THE AUGER.

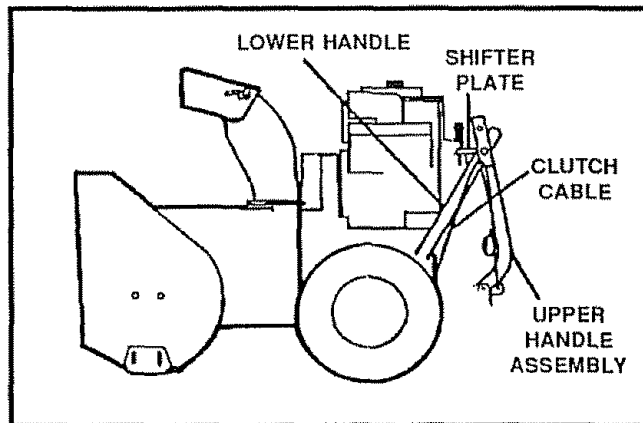


FIG. 1

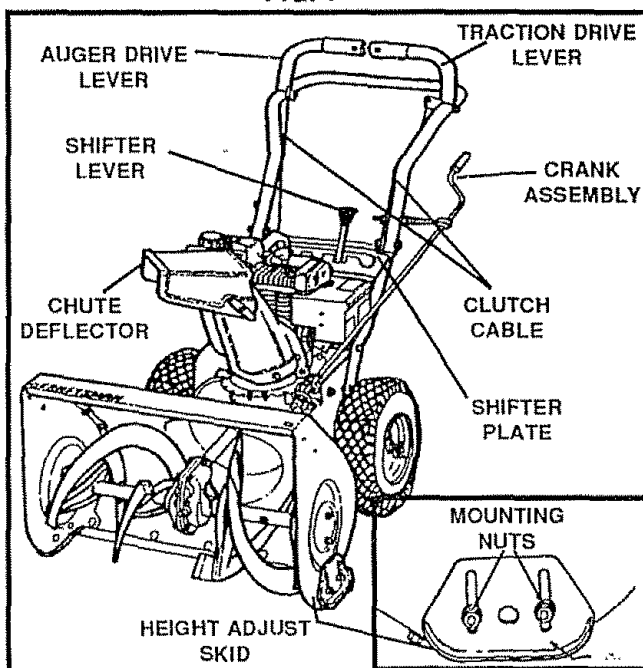


FIG. 2

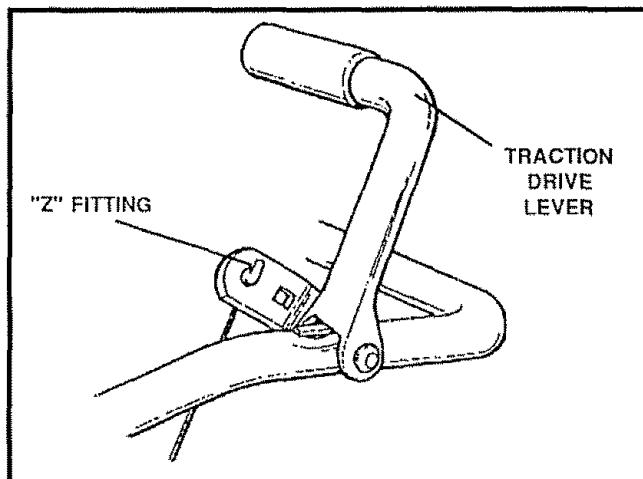


FIG. 3

# ASSEMBLY

## TO INSTALL THE UPPER HANDLE AND CRANK ASSEMBLY

- Remove the screws, flatwashers, lockwashers, and hex nuts securing the shifter plate in the lower holes of the lower handle and move shift lever to 3rd gear
- Loosen, but do not remove, the screws, flatwashers, lockwashers, and hex nuts in the upper holes of the lower handle
- Raise upper handle into operating position. Upper handle should be to the outside of the lower handle and shifter plate to the inside
- Replace the right hand screw, flatwasher, lockwasher, and hex nut through the handle and shifter plate. Do not tighten until all bolts are in place

**NOTE:** Unless you have the assistance of another person, it may be easier to install one side of the handle at a time.

- Remove the 3/8" nylon locknut and flatwasher from the eye bolt assembly (on the chute crank assembly earlier). Check to make sure the two 3/8" jam nuts are tight. The jam nuts should be 2.75 inches from the end of the eye bolt (See Fig 4B)
- Remove the plastic bag, the plastic cap, the cotter pin and the washer from the crank assembly and set aside (See Fig 5)
- Rotate the notched section of the discharge chute toward the crank-adjusting rod (See Fig 5)
- Install the wormed end of the crank through the hole in the adjusting rod and secure the end with the flatwasher and cotter pin, as shown in Fig 5
- Bend the ends of the cotter pin around the rod and reinstall the plastic cap
- Install eye bolt through lower hole in the left hand side of the handle and shifter plate (See Fig 4B)
- Install the 3/8" flatwasher and the 3/8" nylon locknut loosely on the eye bolt as shown in Fig 4B
- Tighten the eye bolt installed earlier, keeping eye in line with the rod while tightening the inside securely
- Tighten the screw, flatwasher, lockwasher and hex nut at the lower right hand hole (See Fig 4A)

**NOTE:** Make sure the cables are not caught between the upper and lower handle

- Tighten two upper handle bolts
- Rotate the chute crank fully clockwise and fully counter-clockwise. The discharge chute should rotate fully with approximately 1/8 inch clearance between the worm and the bottom of the notch (See Fig 5)

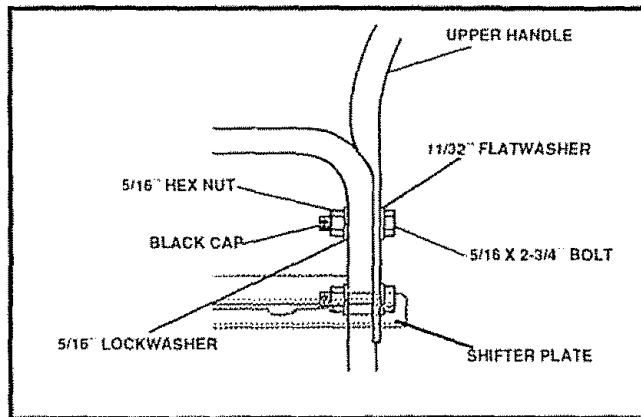


FIG. 4A

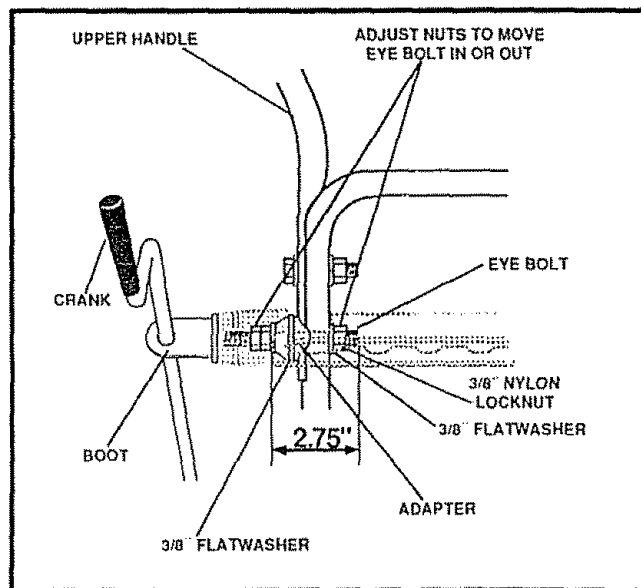


FIG. 4B

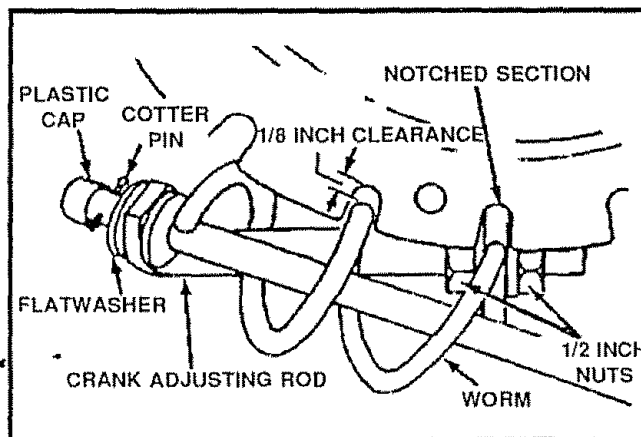


FIG. 5

- If the chute crank needs to be adjusted, go to the Service and Adjustments section on page 17. Screws securing chute clips at the base of the chute should be slightly loose for easy rotation

**NOTE:** Be sure the crank does not touch the side of the engine or the cover will be scratched.



# ASSEMBLY

## TO INSTALL SHIFTER LEVER KNOB

- Thread the shifter lever knob onto the threaded end of the shifter lever until it is snug against the hex nut and the lip is pointed toward the engine. Tighten the hex nut against the bottom of the shift lever knob (See Fig. 6).

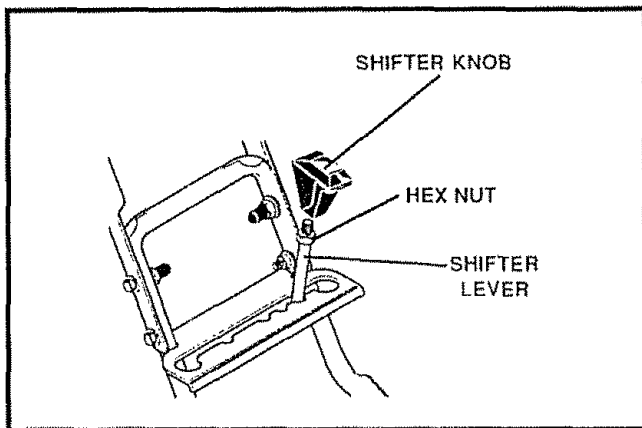


FIG. 6

## TO CHECK/ADJUST CLUTCH CONTROL CABLES

The control cables, Fig. 7, attached to the auger clutch lever and traction clutch lever may need to be adjusted before you use your snow thrower.

For instructions on checking or adjusting the control cables, see To Adjust Clutch Control Cables paragraph on page 18.

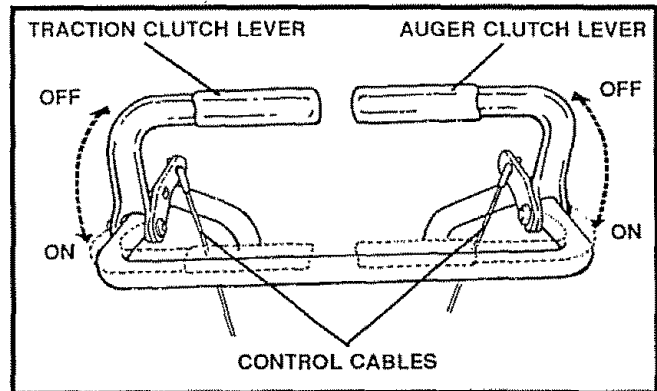


FIG. 7

# OPERATION

## KNOW YOUR SNOW THROWER

READ THIS OWNER'S MANUAL AND SAFETY RULES BEFORE OPERATING YOUR SNOW THROWER. Compare the illustrations with your snow thrower to familiarize yourself with the location of various controls and adjustments. Save this manual for future reference.

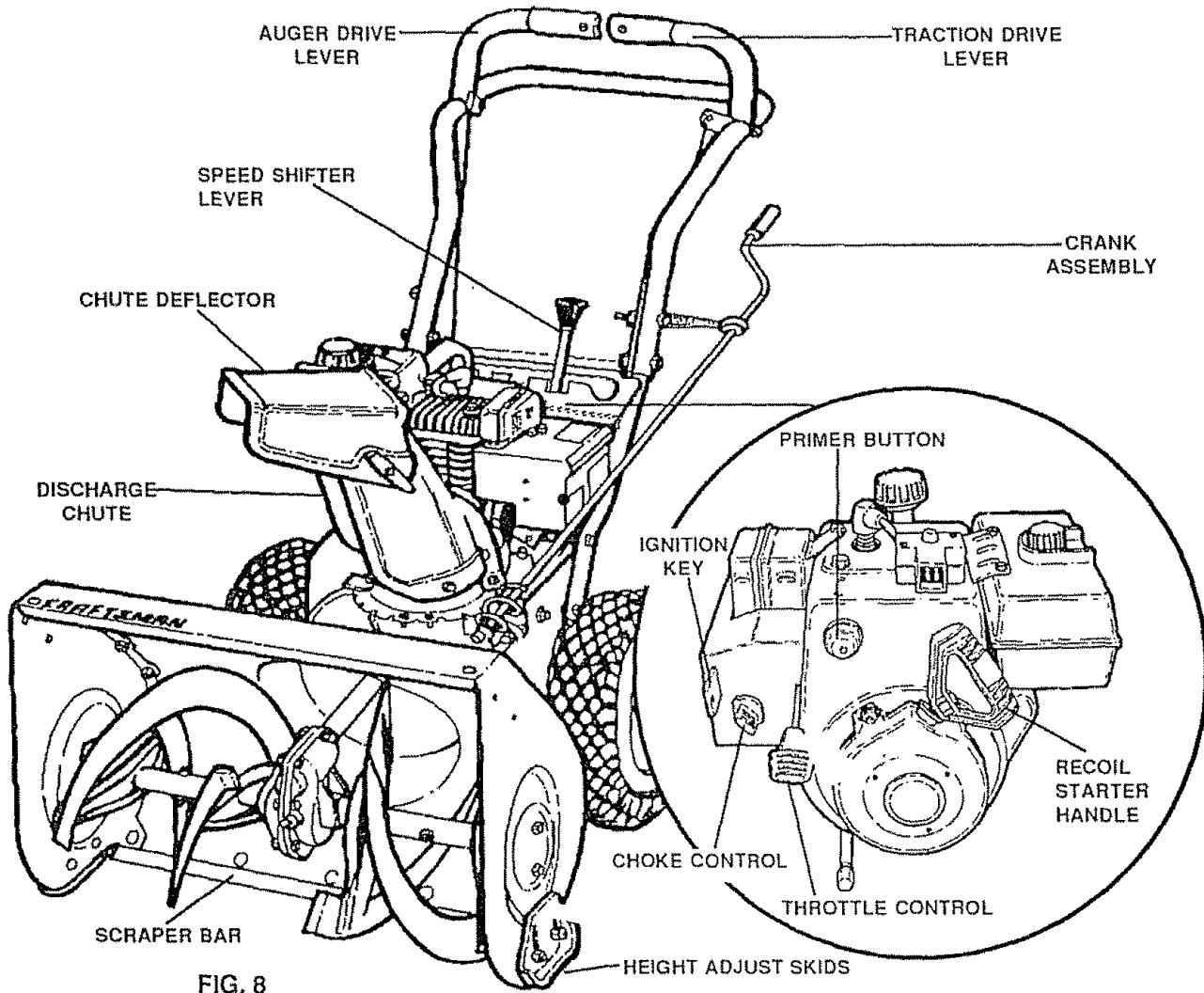


FIG. 8

SEARS SNOW THROWERS conform to the safety standards of the American National Standards Institute.

**AUGER DRIVE LEVER** - Starts and stops the auger and impeller (snow gathering and throwing)

**TRACTION DRIVE LEVER** - Propels the snow thrower forward and in reverse.

**SPEED SHIFTER LEVER** - Selects the speed of the snow thrower (6 speeds forward and 2 speeds reverse)

**CRANK ASSEMBLY** - Changes the direction of snow throwing through the discharge chute.

**CHUTE DEFLECTOR** - Changes the distance the snow is thrown.

**DISCHARGE CHUTE** - Changes the direction the snow is thrown

**HEIGHT ADJUST SKIDS** - Adjusts the ground clearance of the auger housing

**IGNITION KEY** - Must be inserted to start the engine.

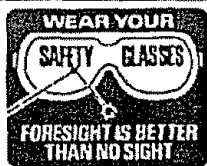
**RECOIL STARTER HANDLE** - Starts the engine manually.

**CHOKE CONTROL** - Used to start a cold engine.

**PRIMER BUTTON** - Injects fuel directly into the carburetor manifold for fast starts in cold weather

**THROTTLE CONTROL** - Controls the engine speed.

# OPERATION



The operation of any snow thrower can result in foreign objects being thrown into the eyes, which can result in severe eye damage. Always wear safety glasses or eye shields while operating the snow thrower.

We recommend standard safety glasses available at SEARS Retail or Catalog Stores or a wide vision safety mask for over your glasses.

## HOW TO USE YOUR SNOW THROWER

### TO CONTROL SNOW DISCHARGE

- Turn the crank assembly to set the direction of the snow throwing
- Loosen the wing knob on the chute deflector and move the deflector to set the distance. Move the deflector **UP** for more distance, **DOWN** for less distance. Then tighten the wing knob (Fig. 9).

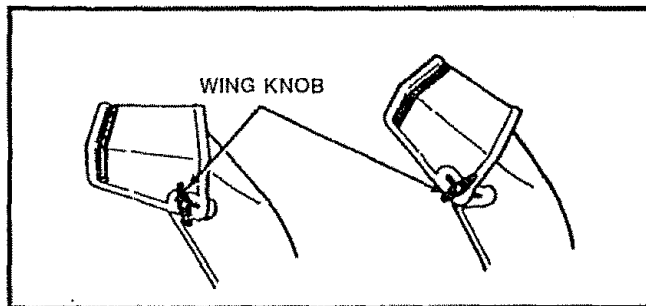


FIG. 9

### TO STOP YOUR SNOW THROWER

- To stop throwing snow, release the auger drive lever (See Fig. 11).
- To stop the track, release the traction drive lever. (See Figure 11).
- To stop the engine, push the throttle control lever to off and pull out the ignition key (See Fig. 10)

**NOTE: DO NOT** turn key.

### TO MOVE FORWARD AND BACKWARD

- To shift, release the traction drive lever and move the speed shifter lever to the speed you desire. Ground speed is determined by snow conditions. Select the speed you desire by moving the speed shifter lever left into the appropriate notch on the shift lever plate:
  - Speeds 1, 2 - Wet, Heavy, Extra Deep
  - Speed 3 - Light
  - Speed 4 - Very Light
  - Speeds 5, 6 - Transport only
- Engage the traction drive lever (See Fig. 11, left hand). As the snow thrower starts to move, maintain a firm hold on the handles, and guide the snow thrower along the clearing path. Do not attempt to push the snow thrower.
- To move the snow thrower backward, move the speed shifter lever right into first or second reverse and engage the traction drive lever (left hand)

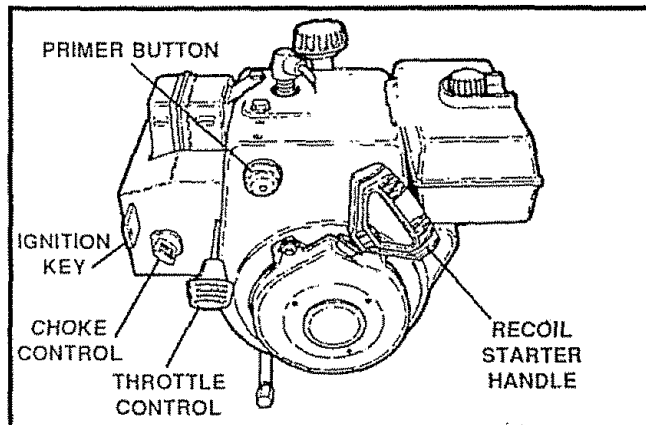


FIG. 10

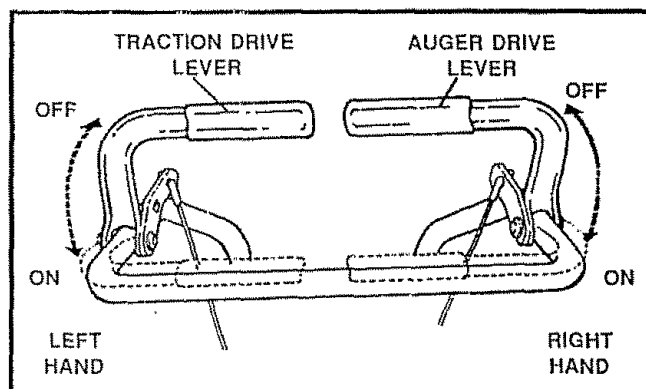


FIG. 11

**IMPORTANT:** NEVER MOVE THE SPEED SHIFTER LEVER WHILE THE TRACTION LEVER IS DOWN

### TO THROW SNOW

- Push down the auger drive lever (See Fig. 11, right hand).
- Release to stop throwing snow



**CAUTION: READ OWNER'S MANUAL BEFORE OPERATING MACHINE NEVER DIRECT DISCHARGE TOWARD BYSTANDERS. STOP THE ENGINE BEFORE UNCLOGGING DISCHARGE CHUTE OR AUGER HOUSING AND BEFORE LEAVING THE MACHINE.**

# OPERATION

## USE WHEEL LOCKOUT PIN

The left hand wheel is secured to the axle with a klick pin (See Fig 12A) This unit was shipped with this klick pin in the locked (through wheel hole) position.

For ease of maneuverability in light snow conditions, disconnect the klick pin from the wheel locked position and push into the single wheel drive (unlocked axle hole only) position (See Fig 12B)

- Make sure that the klick pin is in the single wheel drive position of the axle only and not through the locked position

## BEFORE STARTING THE ENGINE

- If the snow thrower must be moved without the aid of the engine, it is easier to pull the snow thrower by the handles rather than pushing
- Before you service or start the engine, familiarize yourself with the snow thrower. Be sure you understand the function and location of all controls

**NOTE:** Check tension of clutch cables before starting the engine. (See To Adjust The Control Cables paragraph on page 18)

- Be sure that all fasteners are tight
- Make sure the height adjust skids are properly adjusted (See To Adjust Skid Height paragraph on page 17)
- Check tire pressure (14 to 17 pounds) See side of tire for maximum inflation Do not exceed maximum pressure

## FILL OIL:

This snow thrower was shipped without oil in the engine. 5W30 oil is included with this unit and must be added to the engine before operating. Remove the oil fill cap/dipstick and fill the crank case to FULL line on dipstick (21 ounces) (See Fig 14) Do not over-fill. Tighten the fill cap/dipstick securely each time you check the oil level.

**NOTE:** Oil must be changed after the first 2 hours of operation to extend engine life

For extreme cold operating conditions of 0°F and below, use a partial synthetic 0W30 or 5W30 motor oil for easier starting.

## FILL GAS:

Fill the fuel tank with clean, fresh, unleaded grade automotive gasoline. Be sure that the container you pour the gasoline from is clean and free from rust or other foreign particles. Never use gasoline that may be stale from long periods of storage in the container.

**WARNING:** Experience indicates that alcohol blended fuels (called gasohol or those using ethanol or methanol)

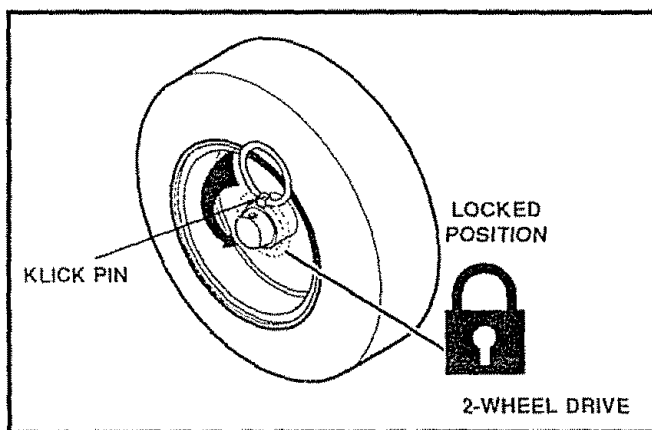


FIG. 12A

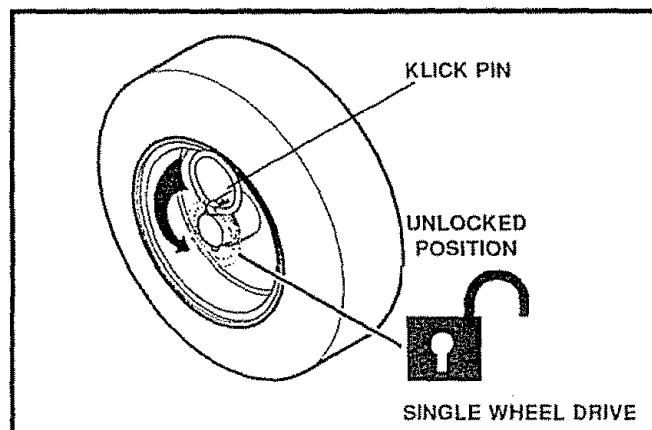


FIG. 12B

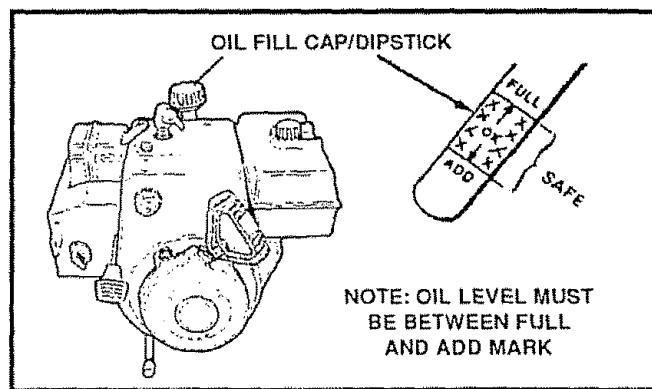


FIG.13

can attract moisture which leads to separation and formation of acids during storage the fuel system of an engine while in storage. Acidic gas can damage the fuel system of an engine while in storage.

To avoid engine problems, the fuel system should be emptied before storage for 30 days or longer. Start the engine and let it run until the fuel lines and carburetor are empty. Use the carburetor bowl drain to empty residual gasoline from the float chamber (Fig 37, page 24). Use fresh fuel next season. (See Storage instructions on page 24 for additional information.)

Never use engine or carburetor cleaner products in the fuel tank or permanent damage may occur.

# OPERATION

## TO STOP ENGINE

- To stop engine, move the throttle control lever to STOP position and remove key. Keep the key in a safe place. The engine will not start without the key.

## CARBURETOR

The factory settings for the carburetor are for most conditions. If the engine is operated under the following conditions, you can adjust carburetor mixture. See "How To Adjust The Carburetor" (See Service and Adjustments, page 22).

- The engine has a loss of power or does not run smooth.
- The engine's operated above 4,000 feet.

## TO START ENGINE

Be sure that the engine has sufficient oil. Before starting the engine, be certain that you have read the following information:

### COLD START (See Fig. 14)

- Be sure the auger drive and the traction drive levers are in the disengaged RELEASED position.
- Move the throttle control to RUN position.
- Push the key into the ignition slot. Be sure it snaps into place. **Do not turn key.** Remove the plastic bag and store extra key in a safe place.
- Rotate choke control to FULL choke position.
- Press the primer button in cold weather. Press two or three times, while keeping your finger over the vent hole on the primer button. Release finger between primes. Additional priming may be necessary for the first start if the temperature is below 15° F. Do not prime if temperature is above 50° F.
- Pull the starter handle rapidly. Do not allow the handle to snap back, but allow it to rewind slowly while keeping a firm hold on the starter handle.
- As the engine warms up and begins to operate evenly, rotate the choke knob slowly to OFF position. If the engine falters, return to FULL choke, then slowly move to OFF choke position.

**NOTE:** Allow the engine to warm up for a few minutes because the engine will not develop full power until it reaches operating temperature.

- Run the engine at or near the top speed when throwing snow.

### WARM START

If restarting a warm engine after a short shutdown, rotate choke to OFF instead of FULL and do not push the primer button.

### FROZEN STARTER

If the starter is frozen and will not turn engine:

- Pull as much rope out of the starter as possible.

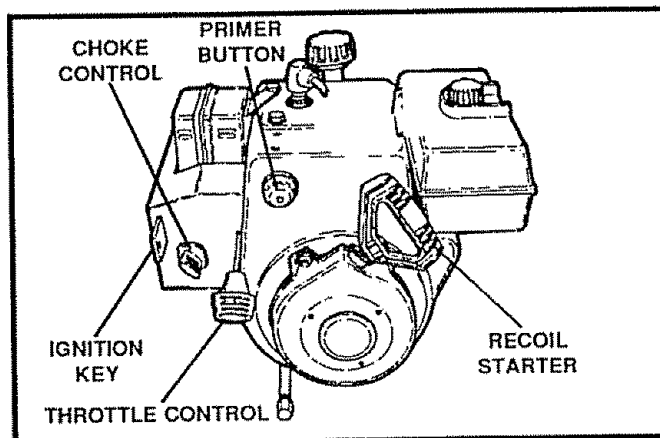


FIG.14



**CAUTION: GASOLINE IS FLAMMABLE AND CAUTION MUST BE USED WHEN HANDLING OR STORING IT.**

**DO NOT FILL FUEL TANK WHILE SNOW THROWER IS RUNNING, WHEN IT IS HOT, OR WHEN SNOW THROWER IS IN AN ENCLOSED AREA.**

**KEEP AWAY FROM OPEN FLAME OR AN ELECTRICAL SPARK AND DO NOT SMOKE WHILE FILLING THE FUEL TANK.**

**NEVER FILL THE TANK COMPLETELY. FILL THE TANK TO WITHIN 1/4" - 1/2" FROM THE TOP TO PROVIDE SPACE FOR EXPANSION OF FUEL.**

**ALWAYS FILL FUEL TANK OUTDOORS AND USE A FUNNEL OR SPOUT TO PREVENT SPILLING.**

**MAKE SURE TO WIPE UP ANY SPILLED FUEL BEFORE STARTING THE ENGINE.**

**STORE GASOLINE IN A CLEAN, APPROVED CONTAINER AND KEEP THE CAP IN PLACE ON THE CONTAINER.**

- Release the starter handle and let it snap back against the starter.

If the engine still fails to start, push the primer button two or three times again and repeat the two previous steps until the engine starts. Then continue with the directions for cold start.

To help prevent possible freeze-up of recoil starter and engine controls, proceed as follows after each snow removal job.

- With the engine running, pull the starter rope hard with a continuous full arm stroke three or four times. Pulling of starter rope will produce a loud clattering sound. This is not harmful to the engine or starter.
- With the engine not running, wipe all snow and moisture from the carburetor cover in area of control levers. Also move throttle control, choke control, and starter handle several times.

# OPERATION



**CAUTION: NEVER RUN ENGINE INDOORS OR IN ENCLOSED, POORLY VENTILATED AREAS.**

**ENGINE EXHAUST CONTAINS CARBON MONOXIDE, AN ODORLESS AND DEADLY GAS. KEEP HANDS, FEET, HAIR AND LOOSE CLOTHING AWAY FROM ANY MOVING PARTS ON ENGINE AND SNOW THROWER.**

**WARNING: TEMPERATURE OF MUFFLER AND NEARBY AREAS MAY EXCEED 150° F. AVOID THESE AREAS.**

**DO NOT ALLOW CHILDREN OR YOUNG TEENAGERS TO OPERATE OR BE NEAR SNOW THROWER WHILE IT IS OPERATING.**

- On gravel or crushed rock surfaces, set the skids at 1-1/4" below the scraper bar (see To Adjust Skid Height paragraph on page 18). Stones and gravel must not be picked up and thrown by the machine.
- After the snow throwing job has been completed, allow the engine to idle for a few minutes, which will melt snow and accumulated ice off the engine.
- Clean the snow thrower thoroughly after each use.
- Remove ice and snow accumulation and all debris from the entire snow thrower, and flush with water (if possible) to remove all salt or other chemicals. Wipe snow thrower dry.



**CAUTION: DO NOT ATTEMPT TO REMOVE ANY ITEM THAT MAY BECOME LODGED IN AUGER WITHOUT TAKING THE FOLLOWING PRECAUTIONS:**

- RELEASE AUGER DRIVE AND TRACTION DRIVE LEVERS.
- MOVE THROTTLE LEVER TO STOP POSITION.
- REMOVE (DO NOT TURN) IGNITION KEY.
- DISCONNECT SPARK PLUG WIRE.
- DO NOT PLACE YOUR HANDS IN THE AUGER OR DISCHARGE CHUTE. USE A PRY BAR.

## SNOW THROWING TIPS

- For maximum snow thrower efficiency in removing snow, adjust ground speed, NEVER the throttle. Go slower in deep, freezing, or wet snow. If the track slips, reduce forward speed. The engine is designed to deliver maximum performance at full throttle and should be run at this power setting at all times.
- Most efficient snow throwing is accomplished when the snow is removed immediately after it falls.
- For complete snow removal, slightly overlap each path previously taken.
- The snow should be discharged down wind whenever possible.
- For normal usage, set the skids so that the scraper bar is 1/8" above the skids. For extremely hard-packed snow surfaces, adjust the skids upward so that the scraper bar touches the ground.

# CUSTOMER RESPONSIBILITIES

## GENERAL RECOMMENDATIONS

The warranty on this snow thrower does not cover items that have been subjected to operator abuse or negligence. To receive full value from the warranty, operator must maintain snow thrower as instructed in this manual.

Some adjustments will need to be made periodically to properly maintain your snow thrower.

All adjustments in the Service and Adjustments section of this manual should be checked at least once each season.

## AFTER FIRST USE

- Check for any loose or damaged parts
- Tighten any loose fasteners
- Check and maintain the auger
- After each use, remove all snow and slush off the snow thrower to prevent freezing of auger or controls.
- Check controls to make sure they are functioning properly
- If any parts are worn or damaged, replace immediately

## SNOW THROWER

### LUBRICATION - EVERY FIVE HOURS

- Lubricate the flange on the discharge chute every five (5) hours during use and before storage (See Fig 17)
- See Lubrication Chart diagram on page 25 for lubrication points and type of lubricant

### LUBRICATION - EVERY TEN HOURS

- Auger Shaft - For storage, lubricate auger shaft ( See Fig 16) with a clinging type grease such as Lubriplate. When replacing shear bolts, remove shear bolts and lubricate auger shaft (see To Replace Shear Bolt paragraph on page 22).
- The chute control rod, used to change the direction of the snow discharge, needs to be lubricated frequently and before storage (See Fig 17)
- See Lubrication Chart diagram on page 25 for lubrication points and type of lubricant

### LUBRICATION - EVERY 25 HOURS

- Disc Drive Plate - Using a hand grease gun, lubricate with a Hi Temp EP Moly grease, zerk located beneath the disc drive plate (See Fig 18 inset) every 25 hours and at the end of the season and/or before storage. To grease zerk, turn disc drive plate clockwise by hand until zerk is clearly visible at front center. DO NOT overfill or allow grease to come in contact with the disc drive plate or friction wheel or

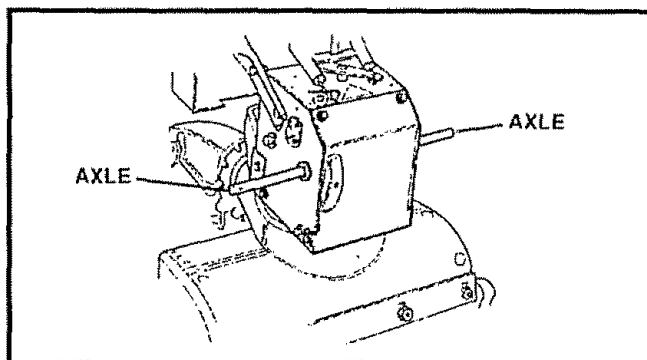


FIG. 15

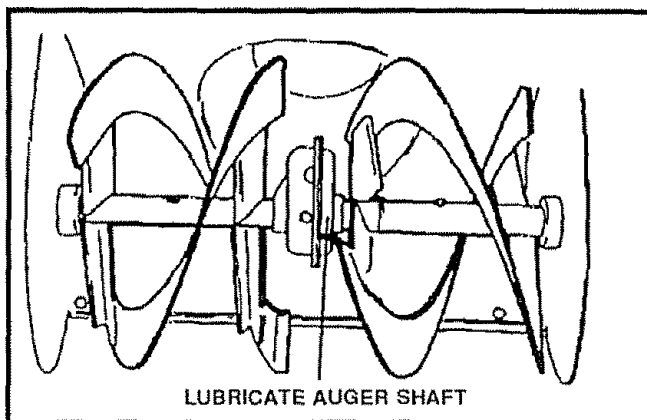


FIG. 16

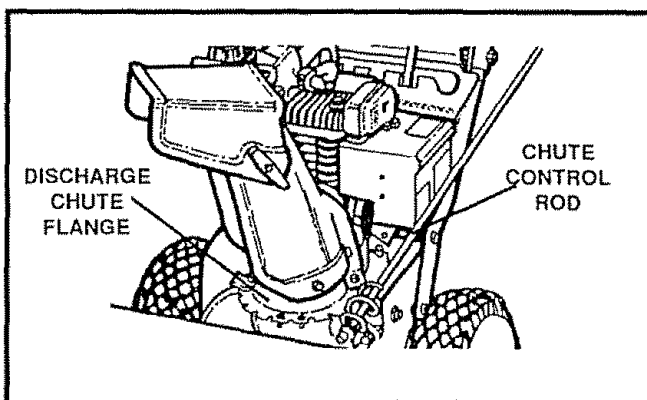


FIG. 17

damage will result. Fill zerk only until grease becomes visible below bearing assembly located under grease zerk. See Lubrication Chart on page 25.

### LUBRICATION - BEFORE STORAGE

- Remove both wheels, grease (any automotive type grease) both axles (See Fig 15) and replace wheels. Do this at least once a year and/or prior to storage

# CUSTOMER RESPONSIBILITIES

## LUBRICATION

- Hex Shaft and Gears - Hex shaft and gears require no lubrication. All bearings and bushings are lifetime lubricated and require no maintenance (See Fig 18).

**NOTE:** Any greasing or oiling of the above components can cause contamination of the friction wheel. If the disc drive plate or friction wheel come in contact with grease or oil, damage to the friction wheel will result

Should grease or oil come in contact with the disc drive plate or friction wheel, be sure to clean the plate and wheel thoroughly

**NOTE:** For storage, the hex shaft and gears should be wiped with 5W-30 motor oil to prevent rusting (See Fig 18).

- Auger Gear Box - The auger gear box has been factory lubricated for life. If for some reason lubricant should leak out, have auger gear case checked by a competent repairman

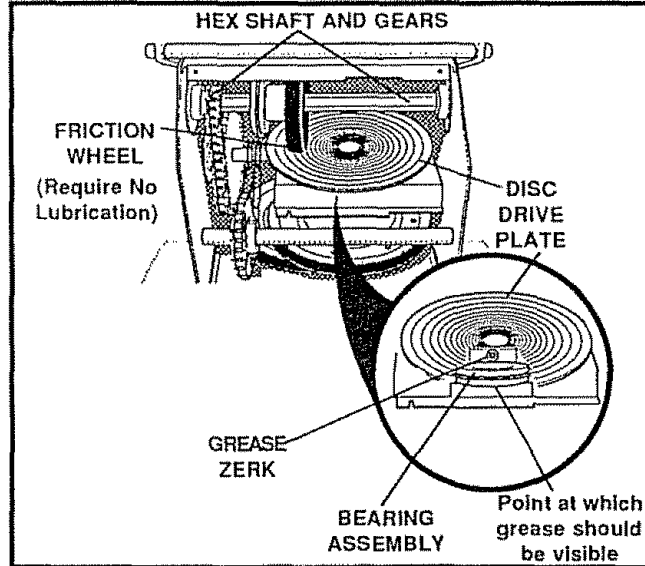


FIG. 18

## ENGINE

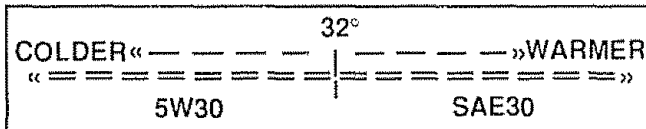
### LUBRICATION

Check the crankcase oil level (See Fig 19) before starting the engine and after each five (5) hours of continuous use. Add S A E 5W-30 motor oil as needed. Tighten fill cap/dipstick securely each time you check the oil level. S A E 5W-30 motor oil may be used to make starting easier in areas where the temperature is 20° F or lower.

### OIL RECOMMENDATION

Only use high quality detergent oil rated with API service classification SG. Select the oil's viscosity grade according to your expected operating temperature:

#### RECOMMENDED VISCOSITY GRADES



**NOTE:** Although multi-viscosity oils improve starting in cold weather, these multi-viscosity oils will result in increased oil consumption when used above 32°F. Check your engine oil level more frequently to avoid possible engine damage from running low on oil

Change the oil after first two hours of operation and every 25 hours thereafter or at least once a year if the snow thrower is not used for 25 hours (See Fig 20)

- Position snow thrower so that the oil drain plug is lowest point on the engine. Remove oil drain plug and oil fill cap/dipstick. Drain oil into a suitable container. Oil will drain more freely when warm

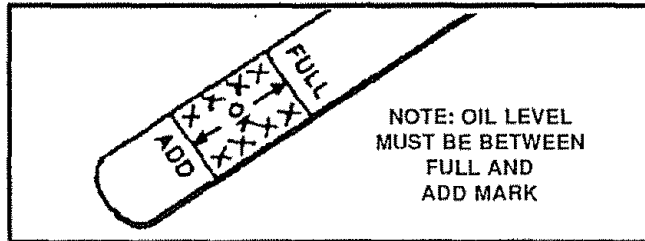


FIG. 19

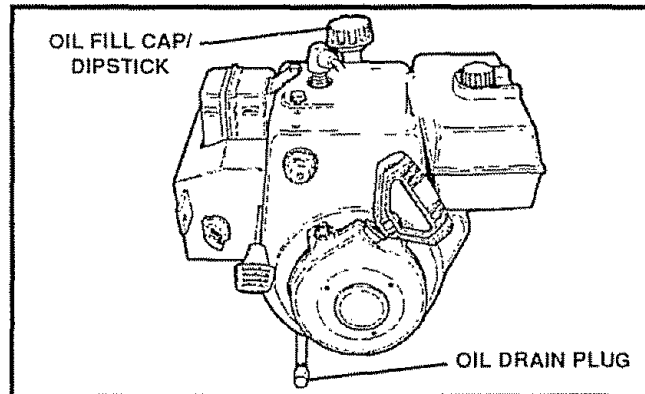


FIG. 20

- Replace oil drain plug and tighten securely. Refill crankcase with S A E 5W30 motor oil

### SPARK PLUG

- Make sure that the spark plug is tightened securely into the engine and the spark plug wire is attached to the spark plug
- If a torque wrench is available, torque plug to 18 to 23 foot pounds
- Clean the area around the spark plug base before removal to prevent dirt from entering the engine
- Clean the spark plug and reset the gap periodically at .030 inch.



# SERVICE AND ADJUSTMENTS



**CAUTION: ALWAYS DISCONNECT THE SPARK PLUG WIRE AND TIE BACK AWAY FROM THE PLUG BEFORE MAKING ANY ADJUSTMENTS OR REPAIRS.**

## TO ADJUST SKID HEIGHT

This snow thrower is equipped with two height adjustment skids, located on the outside of the auger housing (See Fig. 21). These skids elevate the front of the snow thrower.

For normal hard surfaces, such as a paved driveway or walk, adjust the skids as follows:

- Check tire pressure (14 to 17 pounds).
- Place the extra shear bolts supplied (found in parts bag) under each end of the scraper bar near but not under the skid.
- Loosen the skid mounting nuts (See Fig. 21), and adjust the skids to allow the front of the snow thrower to rest on the shear bolts. Retighten the mounting nuts.
- Set the skid on the other side at the same height.

**NOTE:** For graveled or uneven surfaces, raise the front of the snow thrower by moving the skids down. This will help prevent rocks and other debris from being picked up and thrown by the auger.

## TO ADJUST SCRAPER BAR

After considerable use, the metal scraper bar will have a definite wear pattern. The scraper bar in conjunction with the skids should be adjusted to allow 1/8" between the scraper bar and the sidewalk or area to be cleaned. The scraper bar may have to be returned to its original lower setting to maintain the original performance level. To adjust:

- Position the snow thrower on a level surface.
- Make sure both tires are equally inflated. Proper tire pressure is 14 to 17 PSI. See side of tire for maximum inflation. Do not exceed sidewall maximum pressure on tire.
- Loosen the carriage bolts and nuts securing the scraper bar to the auger housing.
- Adjust the scraper bar to the proper position.
- Tighten the carriage bolts and nuts, making sure that the scraper bar is parallel with the working surface.
- For extended operation, the scraper bar may be reversed. If the scraper bar must be replaced due to wear, remove the carriage bolts and nuts and install a new scraper bar.

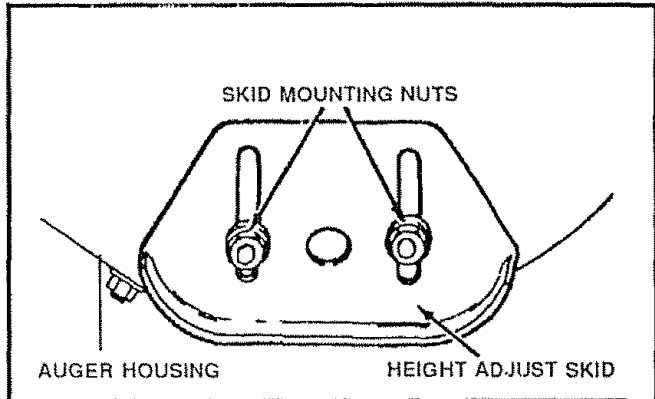


FIG. 21



**CAUTION: BE CERTAIN TO MAINTAIN PROPER GROUND CLEARANCE FOR YOUR PARTICULAR AREA TO BE CLEARED. OBJECTS SUCH AS GRAVEL, STONES OR OTHER DEBRIS, IF STRUCK BY THE IMPELLER, MAY BE THROWN WITH SUFFICIENT FORCE TO CAUSE PERSONAL INJURY, PROPERTY DAMAGE OR DAMAGE TO THE SNOW THROWER.**

## TO ADJUST CHUTE CRANK ASSEMBLY

If you cannot rotate the chute crank fully to the left and to the right, you need to adjust the chute crank (See Fig. 22).

- Loosen both 1/2" nuts on the crank adjusting rod (using 3/4" wrenches).
- Rotate the adjusting rod in or out to allow about 1/8" clearance between the notch in the flange and the outer diameter of the worm.
- Once this clearance is set, tighten the nuts.

**NOTE:** Be sure the crank does not touch the side of the engine or the cover will be scratched.

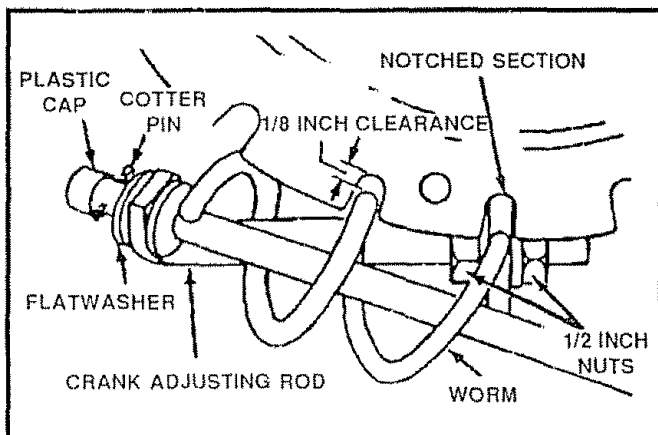


FIG. 22

# SERVICE AND ADJUSTMENTS

## HOW TO ADJUST THE CLUTCH CONTROL CABLES

Periodic adjustment of the cables may be required due to normal stretch and wear on the belts. To check for correct adjustment, the control lever must be in the full forward position, resting on the plastic bumper. The control cables are correctly adjusted when the center of the "Z" fitting is between the center and top of the hole in the clutch lever and there is no droop in the cable (See Fig. 23)

When adjustment is necessary:

Disconnect "Z" Fitting from drive lever

Push the cable through the spring (See Fig. 24) to expose the threaded portion of the cable

Hold the square end of the threaded portion with pliers and adjust the locknut in or out until the excess slack is removed (See Fig. 24)

Pull the cable back through the spring and connect the cable

Do the same for the other lever cable

**NOTE:** Whenever the traction drive or auger belts are adjusted or replaced, the cables will need to be adjusted

## HOW TO ADJUST BELTS

Belts stretch during normal use. If you need to adjust the belts due to wear or stretch, proceed as follows:

### HOW TO ADJUST AUGER DRIVE BELT (See Fig. 26)

If your snow thrower will not discharge snow, check the control cable adjustment. If it is correct, then check the condition of the auger drive belt. It may be loose or damaged. If it is damaged, replace it. See To Replace Belts paragraph on page 19. If the auger drive belt is loose, adjust as follows:

Disconnect the spark plug wire

Remove the belt cover (See Fig. 27, page 19)

Loosen the nut on the auger idler pulley (See Fig. 26) and move the pulley toward the belt about 1/8"

Tighten the nut

Press the auger drive lever. Check the tension on the belt (opposite auger idler pulley). The belt should deflect about 1/2" with moderate pressure (See Fig. 25)

**NOTE:** You may have to move the auger idler pulley more than once to obtain the correct tension

Replace the belt cover

Check the clutch control cable adjustment

Reconnect the spark plug wire

### HOW TO ADJUST TRACTION DRIVE BELT

The traction drive belt has constant spring pressure and does not require adjustment

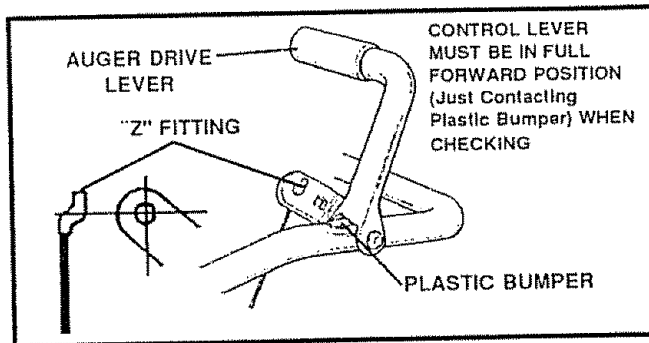


FIG. 23

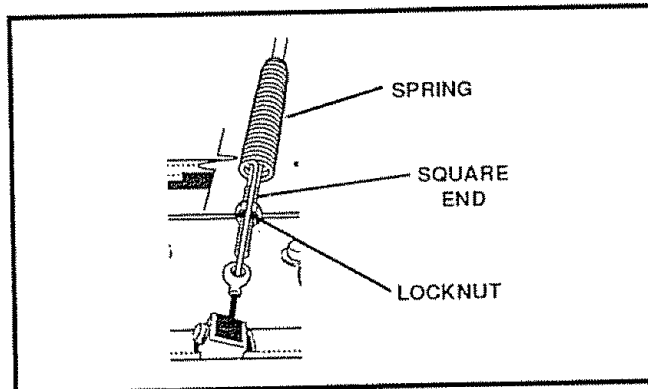


FIG. 24

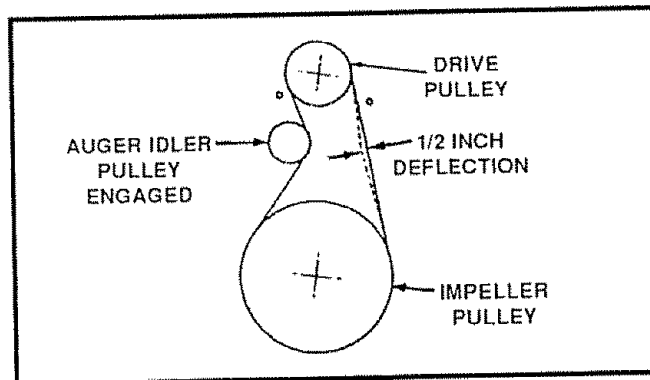


FIG. 25

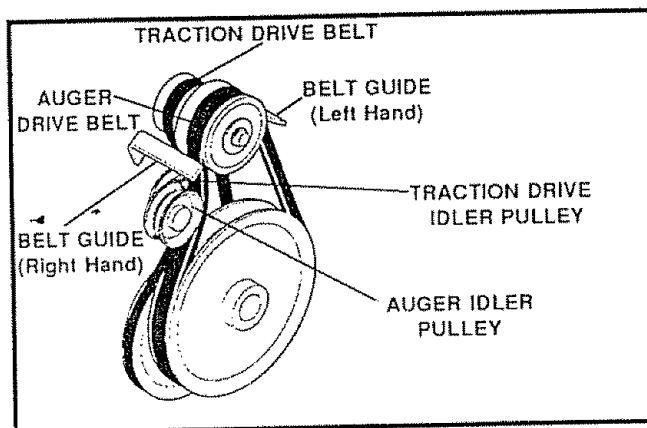


FIG. 26

- Replace the traction drive belt if it is slipping (see To Replace Belts paragraph on page 19)

# SERVICE AND ADJUSTMENTS

## TO REPLACE BELTS

The drive belts on this snow thrower are of special construction and should be replaced with original equipment belts available from your nearest Sears Store or Service Center.

You will need the assistance of a second person while replacing the belts

Drain the gasoline from the fuel tank by removing the fuel line. Drain the gas and reinstall the fuel line



**CAUTION: DRAIN THE GASOLINE OUT-DOORS, AWAY FROM FIRE OR FLAME.**

## AUGER DRIVE BELT

If your snow thrower will not discharge snow, and the auger drive belt is damaged, replace it as follows:

- Disconnect the spark plug wire
- Remove the belt cover (See Fig. 27)
- Loosen the belt guides (See Fig. 28) and pull away from the engine drive pulley.
- Loosen the nut on the auger idler pulley (See Fig. 28) and pull idler pulley away from the belt.
- Remove belt from engine drive pulley
- Remove top two bolts securing auger housing to motor mount frame. Loosen bottom two bolts (See Fig. 30, page 20)
- Auger housing and motor mount frame will separate, hinged by bottom two bolts.
- Remove brake arm from housing. Do not remove spring
- Remove old belt from the auger drive pulley
- Install new replacement belt of the same type onto the auger pulley.
- Reinstall brake arm into housing. Ensure brake arm is fully inserted into housing and brake pad is riding in pulley groove
- Position belt onto engine drive pulley.
- Adjust the auger drive belt (see To Adjust Auger Drive Belt paragraph on page 18)
- Adjust the belt guides (see To Adjust The Belt Guides paragraph on page 20).
- Replace top two bolts. Re-tighten bottom two bolts
- Reinstall the belt cover
- Check the clutch control cable adjustment (see page 18).
- Reconnect the spark plug wire.

## TRACTION DRIVE BELT (See Fig. 28)

If your snow thrower will not move forward, check the traction drive belt for wear (Check other causes also in the Trouble Shooting Points section ) If the traction drive

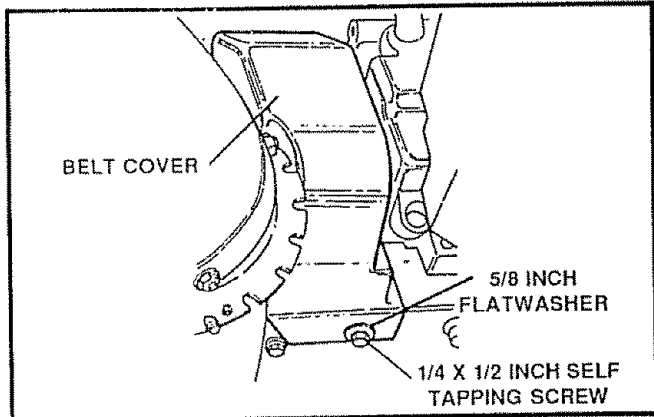


FIG. 27

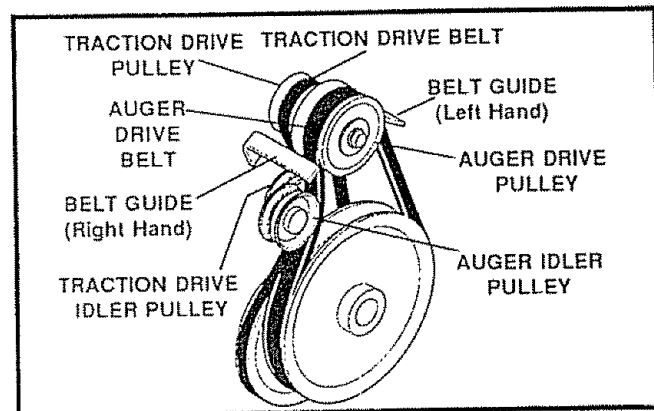


FIG. 28

belt needs to be replaced, proceed as follows:

- Disconnect the spark plug wire.
- Remove the belt cover
- Loosen belt guides and pull guides away from the engine drive pulley
- Loosen nut on auger idler and pull auger idler pulley away from belt
- Remove auger drive belt from engine pulley.
- Pull the traction drive belt idler pulley away from the drive belt.
- Remove drive belt.
- Position new replacement belt of the same type onto traction pulley
- Pull idler pulley away from belt, allowing belt to be positioned onto engine pulley.
- Release idler pulley. Ensure idler pulley is properly engaged with belt
- Reinstall auger drive belt on engine
- Adjust belt guides and tighten the mounting screws (see To Adjust The Belt Guides paragraph on page 20)
- Readjust auger idler to adjust belt. See page 18
- Reinstall the belt cover.
- Reconnect the spark plug wire

# SERVICE AND ADJUSTMENTS

## TO ADJUST THE BELT GUIDES

There are two belt guides on your snow thrower, a left and right. After you replace the traction drive belt, you need to adjust one or both of the belt guides. Proceed as follows for each belt:

- ▶ Disconnect the spark plug wire
- ▶ Remove the belt cover by removing the screw and flatwasher on the left and right hand sides. See Fig 27 page 19.
- ▶ Engage the auger drive clutch lever.
- ▶ Measure the distance between the belt guides and the belt (See Fig. 29). The distance should be  $3/32$ " for each guide.
- ▶ If adjustment is necessary, loosen the belt guide mounting bolts. Move the belt guides to the correct position. Tighten the mounting bolts.
- ▶ Reinstall the belt cover.
- ▶ Reconnect the spark plug wire

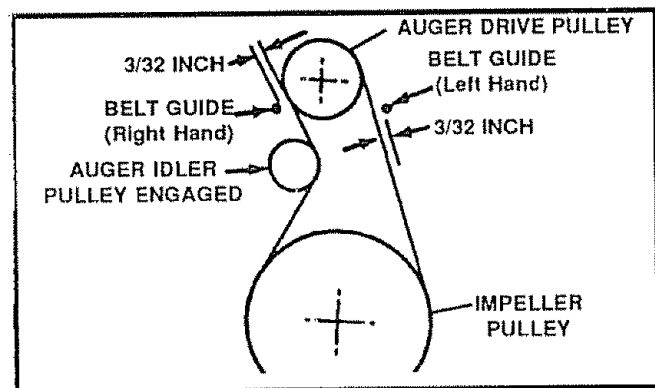


FIG. 29

## TO ADJUST THE FRICTION WHEEL

If the snow thrower will not move forward, you need to check the traction drive belt, the traction drive cable or the friction wheel. If the friction wheel is damaged, it will need to be replaced. See To Replace Friction Wheel paragraph on page 21. If the friction wheel is not worn, check the adjustment, as follows:

- Disconnect the spark plug wire
- Drain the gasoline from the gas tank
- Stand snow thrower on the auger housing end
- Remove the bottom panel (See Fig 30)
- Position the shifter lever in first (1) gear.
- Note the position of the friction wheel on the disc drive plate. The right outer side of the disc drive plate should be 3" from the center of the friction wheel (See Fig 31A)

If adjustment is necessary:

- Loosen bolts in speed selector lever (See Fig 31B)

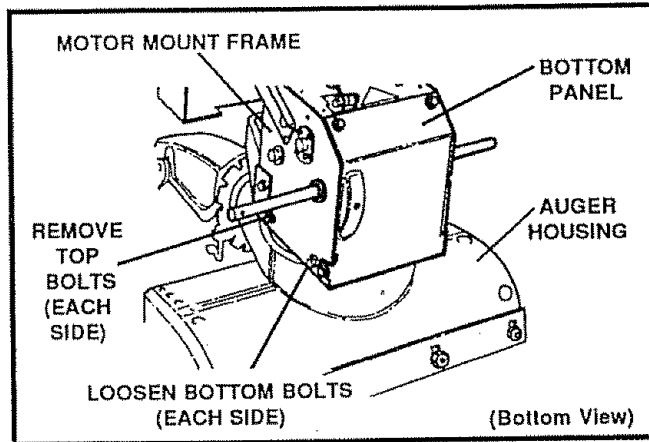


FIG. 30

- Move friction wheel to proper position as indicated in previous step (Fig. 31A).
- Re-tighten bolts in speed selector lever.
- Reinstall the bottom panel.

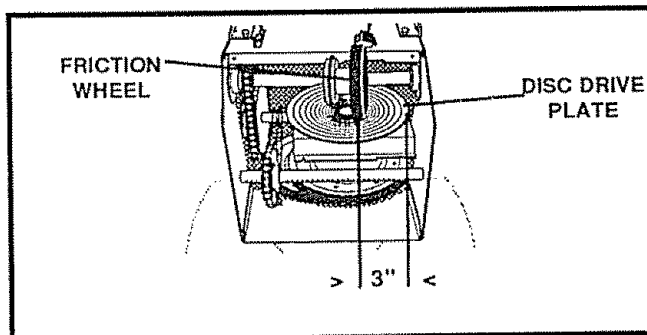


FIG. 31A

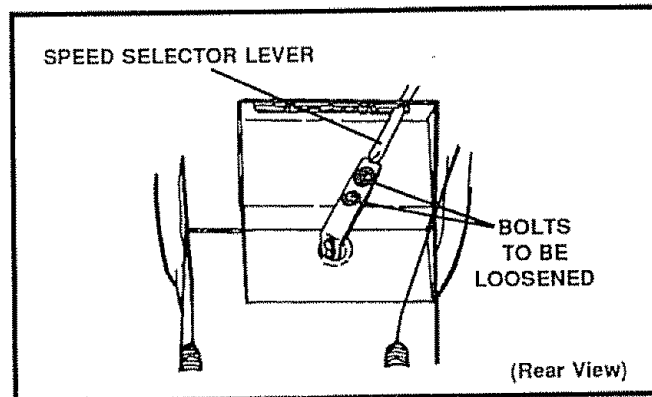


FIG. 31B

# SERVICE AND ADJUSTMENTS

## TO REPLACE FRICTION WHEEL

If the snow thrower will not move forward, and the friction wheel is worn or damaged, you need to replace it as follows: (First allow the engine to cool.)



**CAUTION: DRAIN GASOLINE OUTDOORS AWAY FROM FIRE OR FLAME.**

- Drain the gasoline from the fuel tank by removing the fuel line. Drain the fuel and reinstall the fuel line
- Disconnect the spark plug wire.
- Stand the snow thrower up on the auger housing end (See Fig. 33).
- Remove the bottom panel (See Fig. 30, page 20).
- Remove the three (3) fasteners securing the friction wheel to hub (See Fig. 32) and set fasteners aside
- Remove the four bolts securing the bearing plates (both sides).
- Remove right side bearing plate. Leave Hex shaft in original position (See Fig. 33).
- Remove friction wheel from hub. Slip friction wheel off hex shaft towards right side (See Fig. 33).
- Position new friction wheel onto hub.
- Install bearing plates to original position. Ensure hex shaft is engaged with both bearing plates
- Secure bearing plates using bolts removed earlier
- Secure friction wheel to hub using fasteners removed earlier. Ensure hex shaft turns freely.

**NOTE:** Ensure friction wheel and friction disc are free from grease or oil.

- Replace bottom panel.
- Lower the snow thrower onto the tires.

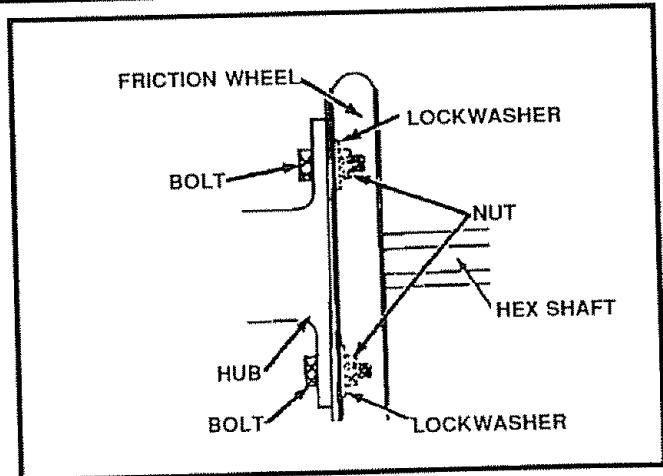


FIG. 32

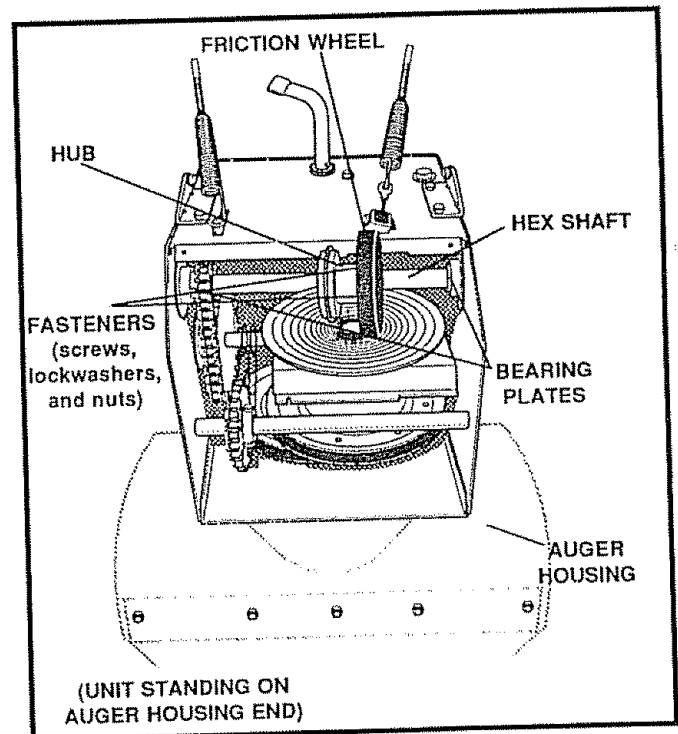


FIG. 33

# SERVICE AND ADJUSTMENTS

## TO REPLACE AUGER SHEAR BOLT

The augers are secured to the auger shaft with special bolts (See Fig. 34) that are designed to break (to protect the machine) if an object becomes lodged in the auger housing. Use of a harder bolt will destroy the protection provided by the shear bolt.

**IMPORTANT:** TO INSURE SAFETY AND PERFORMANCE LEVELS, ONLY ORIGINAL EQUIPMENT SHEAR BOLTS SHOULD BE USED. WHEN REPLACING SHEAR BOLTS, BE SURE TO REPLACE SHEAR BOLT SPACERS.

To replace a broken shear bolt, proceed as follows:

- Move the throttle to STOP and turn off all controls.
- Disconnect the spark plug wire. Be sure all moving parts have stopped.
- Remove the broken shear bolt.
- Lubricate the auger shaft by squirting oil into the shear bolt hole in the auger shaft. Then rotate the auger to distribute the oil on the shaft.
- Align the hole in the auger with the hole in the auger shaft. Install the new shear bolt, shear bolt spacer, and locknut provided in parts bag.
- Reconnect the spark plug wire.

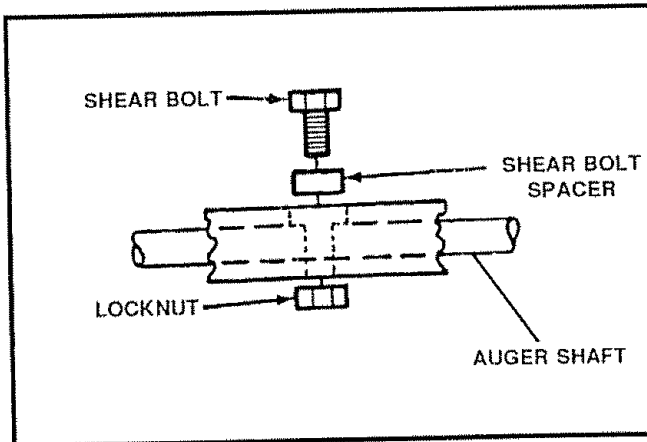


FIG. 34

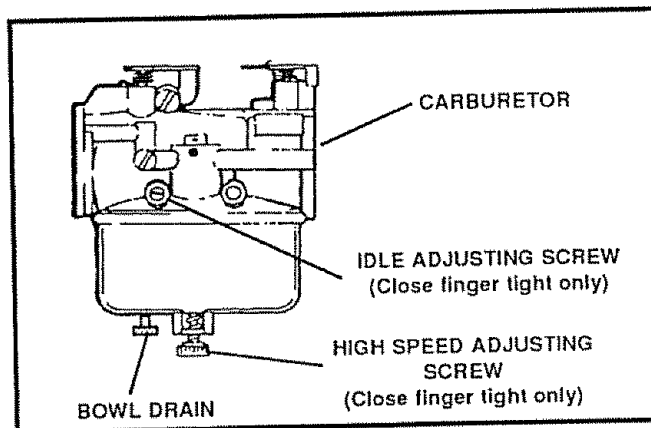


FIG. 35

## TO ADJUST CARBURETOR

The carburetor (See Fig. 35 and Fig. 37 (page 24)) has been pre-set at the factory and readjustment should not be necessary. However, if the carburetor does need to be adjusted, proceed as follows:

- Close the high speed adjusting screw by hand.
- Do not over-tighten.
- Then open it 1-1/4 to 1-1/2 turns.
- Close the idle adjusting screw by hand. Do not over-tighten.
- Then open it 1-1/4 to 1-1/2 turns.
- Start the engine and let it warm up.
- Set the throttle control to RUN. Adjust the high speed adjusting screw in until the engine speed or sound alters. Adjust the screw out until the engine speed sound alters. Note the difference between the two limits and set the screw in the middle of the range.
- Let the engine run undisturbed for 30 seconds after each setting to allow the engine to react to the previous adjustment.
- Set the throttle control to IDLE. Adjust the idle adjusting screw in until the engine speed drops, then adjust the screw out until the engine speed drops. Note the difference between the two limits

and set the screw in the middle of the range.

- If the engine tends to stall under load or does not accelerate from low speed to high speed properly, adjust the high speed screw out in 1/8 turn increments until the problem is resolved. Let the engine run for 30 seconds between settings.

**IMPORTANT:** NEVER TAMPER WITH THE ENGINE GOVERNOR, WHICH IS FACTORY SET FOR PROPER ENGINE SPEED. OVER-SPEEDING THE ENGINE ABOVE THE FACTORY HIGH SPEED SETTING CAN BE DANGEROUS. IF YOU THINK THE ENGINE-GOVERNED HIGH SPEED NEEDS ADJUSTING, CONTACT YOUR NEAREST SEARS SERVICE CENTER, WHICH HAS THE PROPER EQUIPMENT AND EXPERIENCE TO MAKE ANY NECESSARY ADJUSTMENTS.

# SERVICE AND ADJUSTMENTS

## TO ADJUST OR REPLACE THE SPARK PLUG

If you have difficulty starting your snow thrower, you may need to adjust or replace the spark plug. Follow the instructions below.

Replace the spark plug if the electrodes are pitted or burned or if the porcelain is cracked.

### TO ADJUST:

- Clean the spark plug by carefully scraping the electrodes (do not sand blast or use a wire brush).
- Be sure the spark plug is clean and free of foreign material. Check the electrodes gap (See Fig. 36) with a wire feeler gauge and reset the gap to .030 inch if necessary.

### TO REPLACE:

- If you need a new spark plug, use only the proper replacement spark plug (See page 4).
- Set the gap to .030.

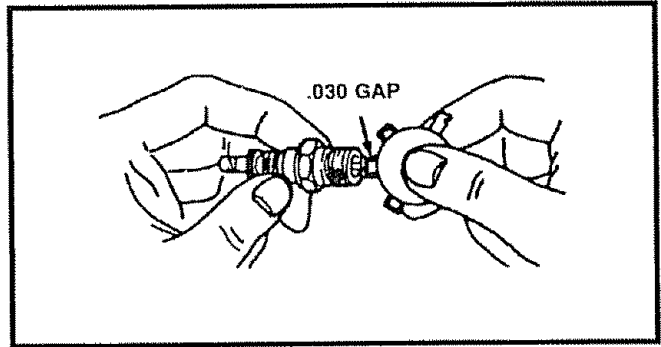


FIG. 36

- Before installing the spark plug, coat its threads lightly with oil or grease to ensure easy removal.
- Tighten the plug firmly into the engine.
- If a torque wrench is available, torque the plug to 18 to 23 ft - lbs.

# STORAGE



**CAUTION: NEVER STORE YOUR SNOW THROWER INDOORS OR IN AN ENCLOSED, POORLY VENTILATED AREA IF GASOLINE REMAINS IN THE TANK. FUMES MAY REACH AN OPEN FLAME, SPARK OR PILOT LIGHT FROM A FURNACE, WATER HEATER, CLOTHES DRYER, CIGARETTE, ETC.**

To prevent engine damage (if snow thrower is not used for more than 30 days) follow the steps below.

## ENGINE STORAGE

Gasoline must be removed or treated to prevent gum deposits from forming in the tank, filter, hose, and carburetor during storage. Also during storage, alcohol blended gasoline that uses ethanol or methanol (sometimes called gasohol) attracts water. It acts on the gasoline to form acids which damage the engine.

- To remove gasoline, run the engine until the tank is empty and the engine stops. Then drain remaining gasoline from carburetor by pressing upward on bowl drain located on the bottom of carburetor (See Fig. 37).
- If you do not want to remove gasoline, a fuel stabilizer (such as Craftsman Fuel Stabilizer No. 33500) may be added to any gasoline left in the tank to minimize gum deposits and acids. If the tank is almost empty, mix stabilizer with fresh gasoline in a separate container and add some to the tank. **ALWAYS FOLLOW INSTRUCTIONS ON STABILIZER CONTAINER. THEN RUN ENGINE AT LEAST 10 MINUTES AFTER STABILIZER IS ADDED TO ALLOW MIXTURE TO REACH CARBURETOR. STORE SNOW THROWER IN A SAFE PLACE. SEE WARNING ABOVE.**

You can keep your engine in good operating condition during storage by:

- Changing oil (See page 16).
- Lubricating the piston/cylinder area. This can be done by first removing the spark plug and squirting a few drops of clean engine oil into the spark plug hole. Then cover the spark plug hole with a rag to absorb oil spray. Next, rotate the engine by pulling the starter rope fully out two or three times. Finally, reinstall spark plug and attach spark plug wire.

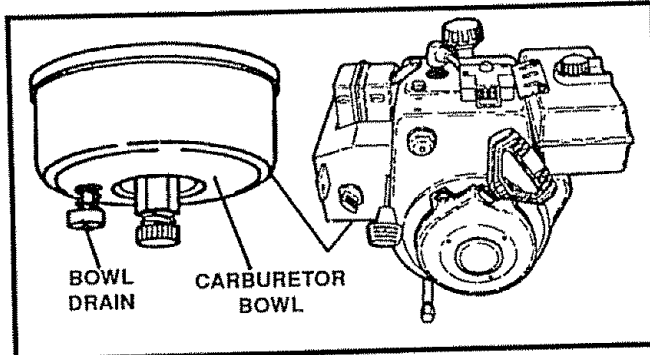


FIG. 37

## SNOW THROWER STORAGE

- Thoroughly clean the snow thrower.
- Lubricate all lubrication points (see the Customer Responsibilities section on pages 15-16).
- Be sure that all nuts, bolts and screws are securely fastened. Inspect all visible moving parts for damage, breakage and wear. Replace if necessary.
- Touch up all rusted or chipped paint surfaces; sand lightly before painting.
- Cover the bare metal parts of the blower housing auger and the impeller with rust preventative, such as a spray lubricant.

**NOTE:** A yearly checkup or tune-up by a SEARS Service Center is a good way to insure that your snow thrower will provide maximum performance for the next season.

## LUBRICATION

### OTHER

- If possible, store your snow thrower indoors with gas removed and cover it to give protection from dust and dirt.
- If the machine must be stored outdoors, block up the snow thrower to be sure the entire machine is off the ground.
- Cover the snow thrower with a suitable protective cover that does not retain moisture. Do not use plastic or vinyl.

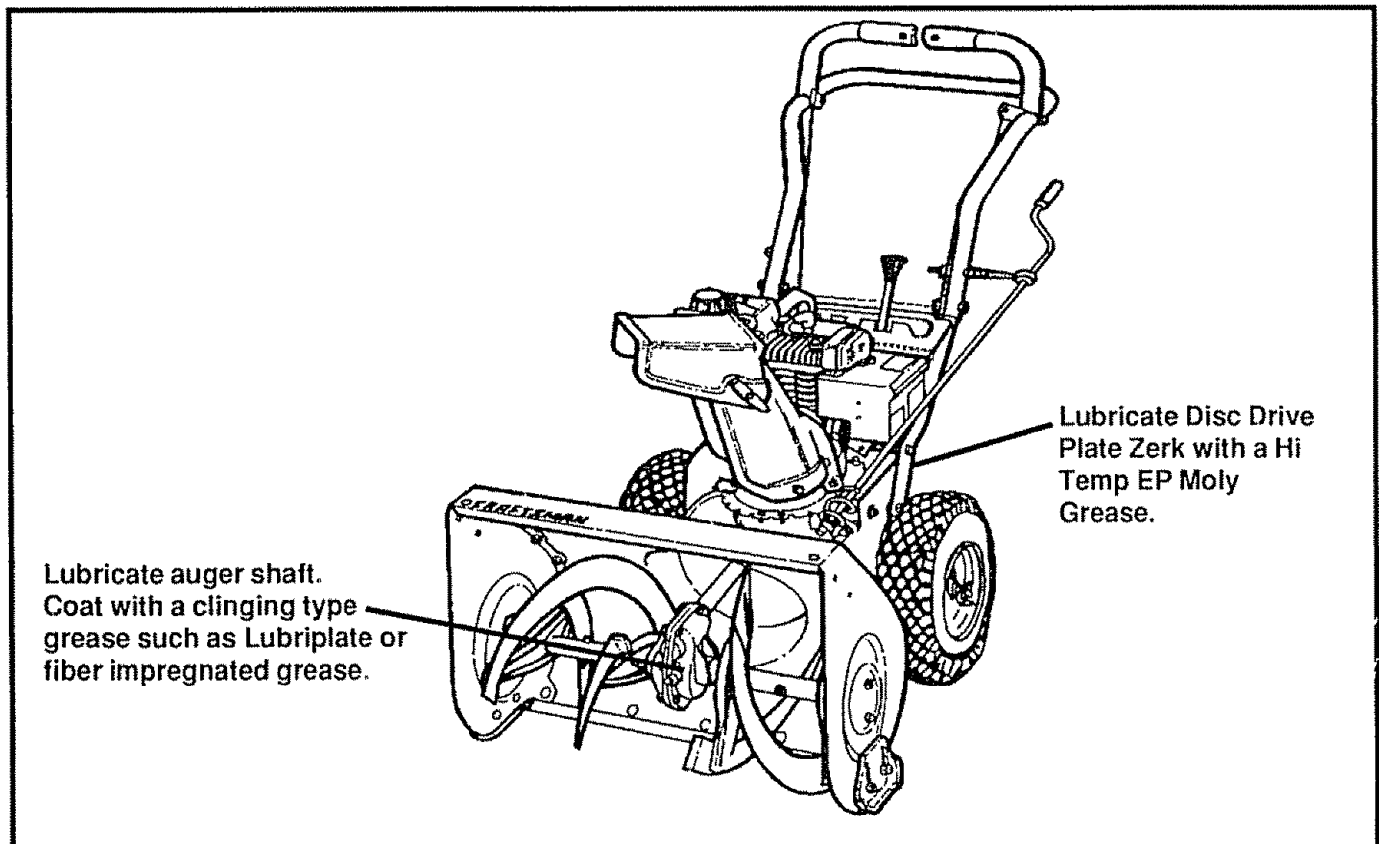
**IMPORTANT:** NEVER COVER SNOW THROWER WHILE ENGINE AND EXHAUST AREAS ARE STILL WARM



# SERVICE RECOMMENDATIONS

SERVICE RECORDS Fill in dates as you complete regular service	SCHEDULE								SERVICE DATES		
	After First 2 hours	Before Each Use	As Needed	Every 5 Hours	Every 10 Hours	Every 25 Hours	Each Season	Before Storage			
Check Engine Oil Level		✓		✓			✓				
Change Engine Oil	✓					✓	✓				
Tighten All Screws and Nuts	✓		✓								
Check Traction Clutch Cable Adjustment (See Cable Adjustment)	✓						✓				
Replace Spark Plug						✓	✓				
Adjust Drive Belts	✓					✓	✓				
Lubricate All Pivot Points					✓			✓			
Lubricate Auger Shaft (See Shear Bolt Replacement)					✓			✓			
Check Fuel		✓									
Drain Fuel								✓			
Check Auger Clutch Cable Adjustment (See Cable Adjustment)	✓						✓				
Lubricate Disc Drive Plate Zerk (See Customer Responsibilities)						✓		✓			

## LUBRICATION CHART



# TROUBLE SHOOTING POINTS

TROUBLE	CAUSE	CORRECTION
Difficult starting	Defective spark plug Water or dirt in fuel system	Replace defective plug Use carburetor bowl drain to flush and refill with fresh fuel.
Engine runs erratically	Blocked fuel line or low on fuel	Clean fuel line; check fuel supply; add fresh fuel (gasoline/oil mixture if 2 cycle engine)
Engine stalls	Unit running on CHOKE	Move choke lever to OFF position
Engine runs erratically; Loss of power	Water or dirt in fuel system  Carburetor out of adjustment	Use carburetor bowl drain to flush and refill with fresh fuel  Adjust carburetor
Excessive vibration	Loose parts; damaged impeller	Stop engine immediately and disconnect spark plug wire Tighten all bolts and make all necessary repairs. If vibration continues, have the unit serviced by a competent repairman
Unit fails to propel itself	Drive belt loose or damaged  Incorrect adjustment of traction drive cable  Worn or damaged friction wheel	Replace drive belt  Adjust traction drive cable  Replace friction wheel
Unit fails to discharge snow	Auger drive belt loose or damaged  Auger control cable not adjusted correctly  Shear bolt broken  Discharge chute clogged  Foreign object lodged in auger	Adjust auger drive belt; replace if damaged  Adjust auger control cable  Replace shear bolt  Stop engine immediately and disconnect spark plug wire Clean discharge chute and inside of auger housing  Stop engine immediately and disconnect spark plug wire Remove object from auger

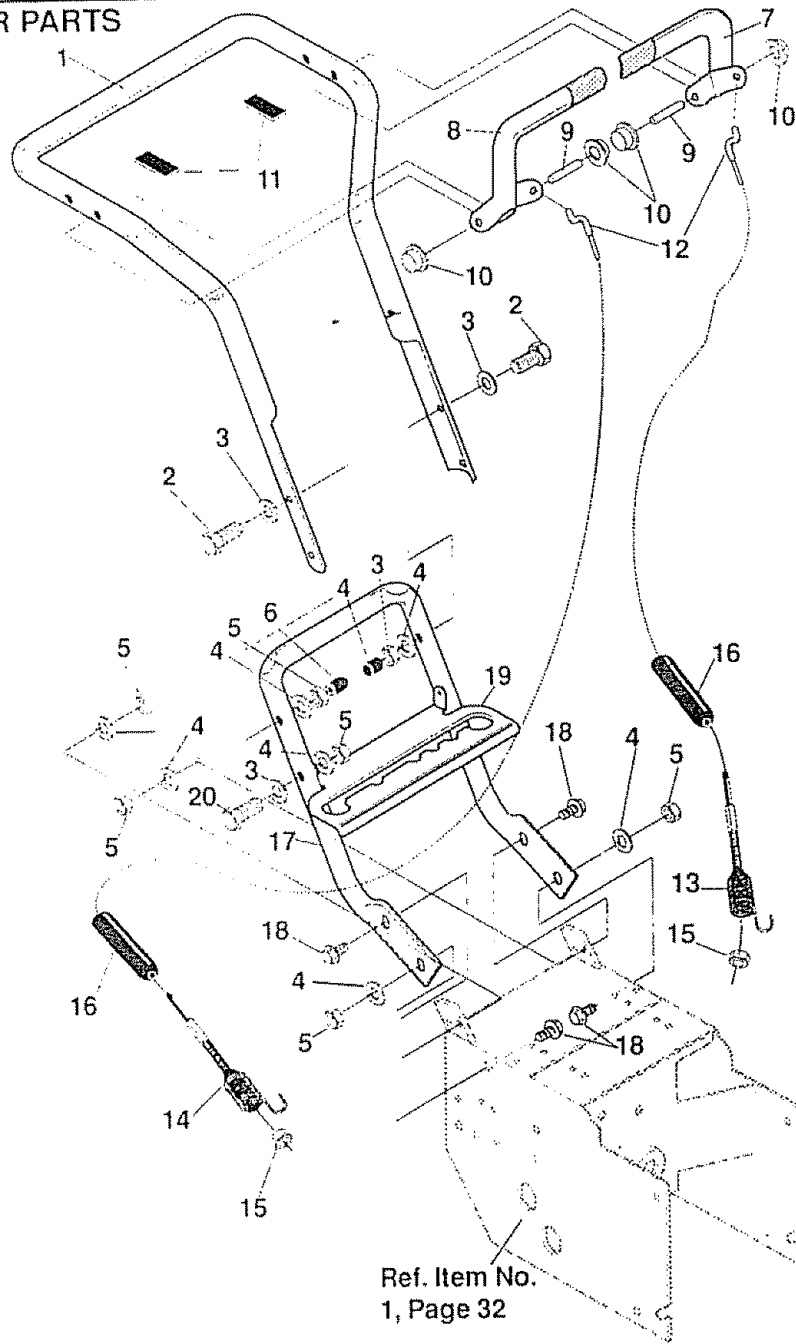
---

## NOTES

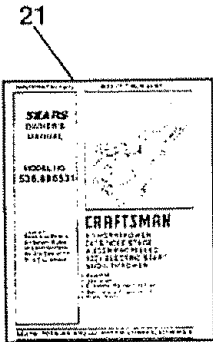
---

# CRAFTSMAN 22" SNOW THROWER 536.886531

## HANDLE ASSEMBLY REPAIR PARTS



Ref. Item No.  
1, Page 32



REF. NO.	PART NO.	PART NAME
1	9552-830	Handle, Upper
2	11234	Screw, Hex, 5/16-18 x 2-3/4 In
3	71071	Flatwasher, 11/32 In
4	71060	Lockwasher, Split 5/16 In
5	71037	Nut, Hex, 5/16-18 Thd
6	11261	Stop, Plastic, 5/16
7	307976	Traction Drive Lever, LH
8	307978	Auger Drive Lever, RH
9	4140	Pin, Clutch Handle Pivot
10	3535	Nut, Push On Cap 5/16 In
11	4049	Bumper, Handle

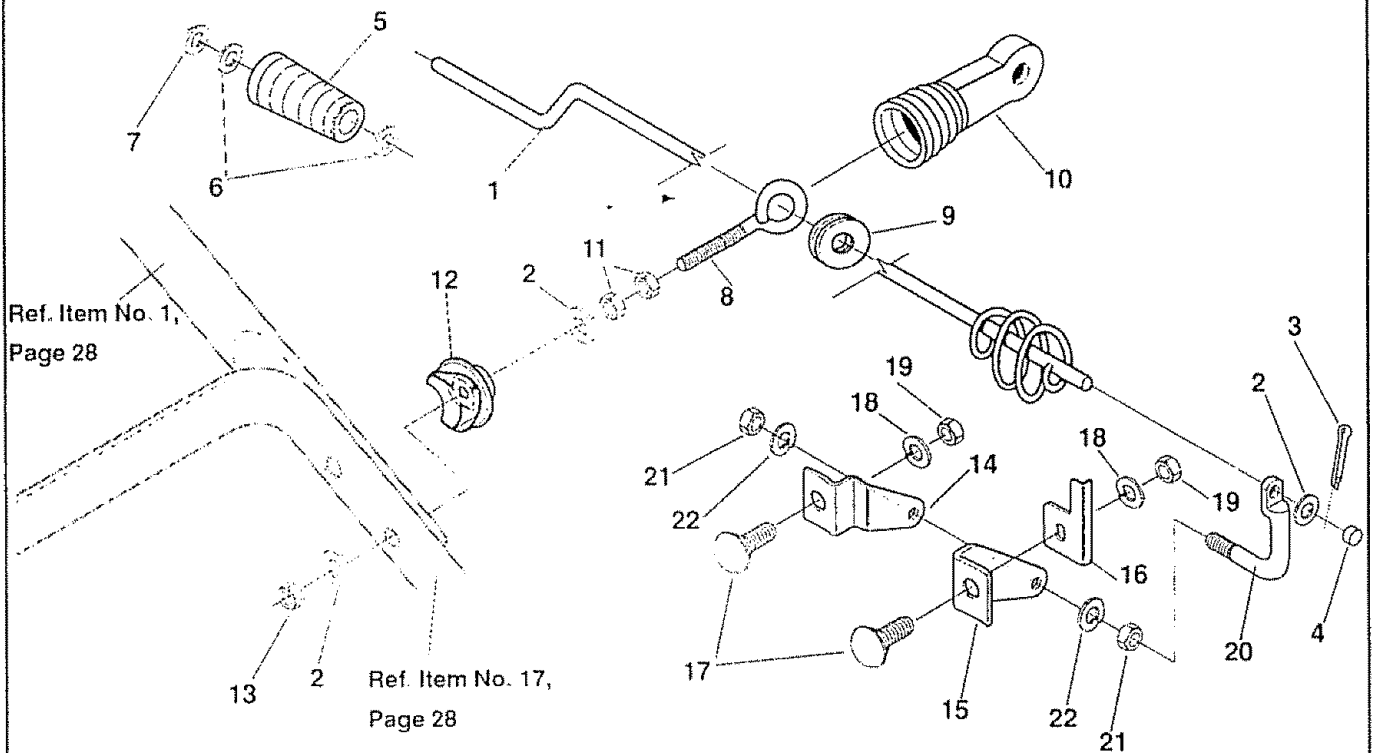
REF. NO.	PART NO.	PART NAME
12	1579	Cable, Clutch
13	579869	Spring, Drive Clutch LH
14	1673	Spring, Auger Clutch RH
15	71035	Nut, Hex Nyl, 1/4-20 In
16	308146	Boot, Clutch Spring
17	580667-830	Handle, Lower
18	70985	Screw, HHC, 5/16-18 x 3/4 In
19	580639-830	Shift Plate Bracket
20	12619	Screw, HHC, 5/16-18 x 2 00 In
21	325951	Owner's Manual

\* Indicates Standard Hardware Items

318782-314002 C

# CRAFTSMAN 22" SNOW THROWER 536.886531

## CHUTE CONTROL ROD REPAIR PARTS



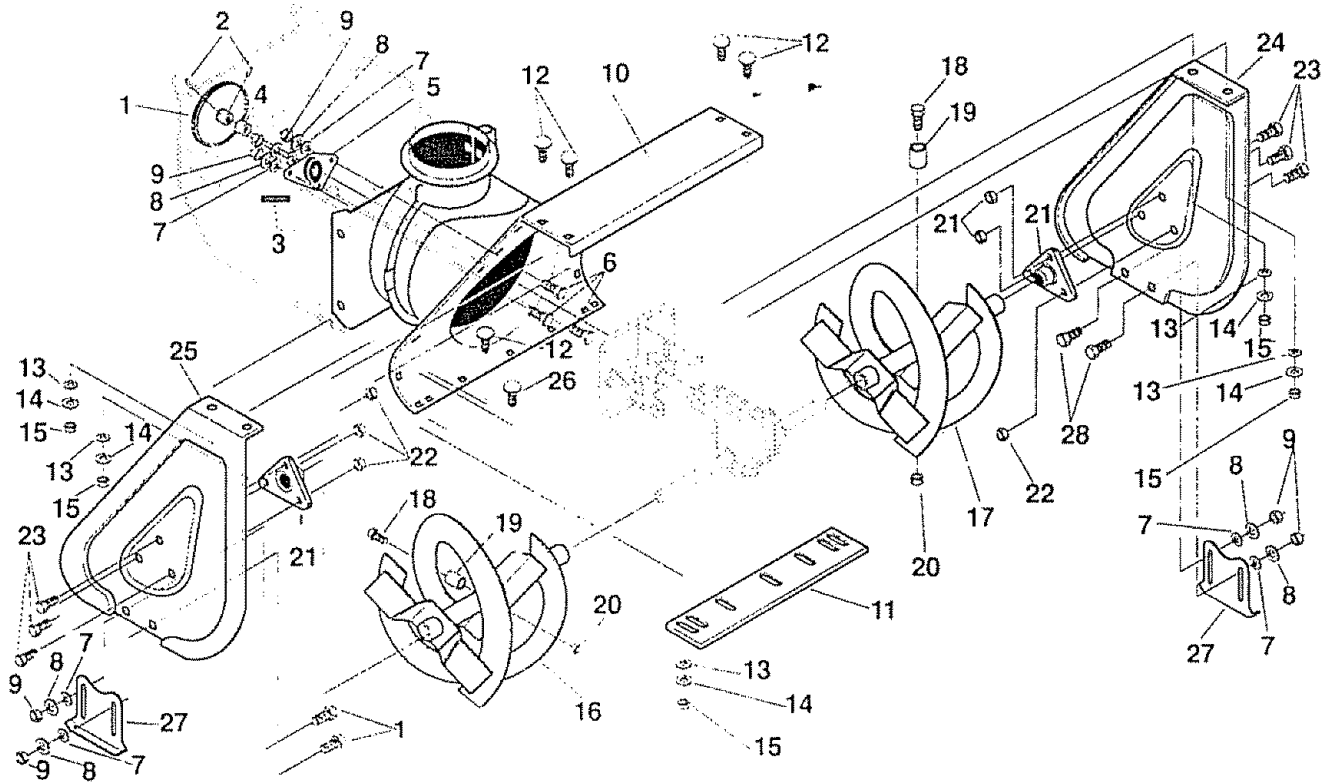
REF. NO.	PART NO.	PART NAME
1	325608	Crank & Worm Assembly
2	71072	Flatwasher, 406x 81x 066
3	71082	Pin, Cotter
4	104	Cap, Plastic
5	307399	Handle Grip, Chute Control Rod
6	309312	Flatwasher, 39x 70x 05
7	304872	Ring, Retainer
8	71457	Bolt, Eye
9	148	Grommet, Eye Bolt
10	308145	Boot, Eye Bolt, Chute Crank
11	71045	Nut, Hex Jam. 3/8-16 Thd

REF. NO.	PART NO.	PART NAME
12	309344	Adapter, Boot to Handle
13	71046	Nut, Hex Nyl 3/8-16 Thd
14	1162	Bracket, Chute Control R H
15	7052	Bracket, Chute Control L H
16	309059	Bracket, Chute Rotate
17	70993	Bolt, Carriage, 5/16-18x3/4 In.
18	71060	Lockwasher, Split, 5/16 In.
19	71037	* Nut, Hex, 5/16-18 Thd
20	7055	Rod, Chute Control
21	7058	Nut, Hex Jam, 1/2-20 Thd
22	7059	Lockwasher, Split, 1/2 In.

\* Indicates Standard Hardware Items

# CRAFTSMAN 22" SNOW THROWER 536.886531

## AUGER HOUSING REPAIR PARTS



REF. NO.	PART NO.	PART NAME
1	583124	Pulley, Auger Drive
2	577399	Screw, Set, 5/16-18 x 1/2 In
3	71371	Key, Square
4	583219	Spacer, Sleeve
5	326322	Bearing & Retainer Assembly
6	70983	Screw, HHC 5/16-18 x 5/8 In
7	71071	* Flatwasher, 11/32 In.
8	71060	Lockwasher, Split, 5/16 In
9	71037	* Nut, Hex, 1/4-20 Thd
10	583130-854	Housing, Auger Assembly
11	581395-853	Blade, Scraper, 22 In
12	302623	Bolt, Carriage, 1/4-20x5/8 In
13	71067	* Flatwasher 9/32x5/8 In
14	71059	Lockwasher Split 1/4 In

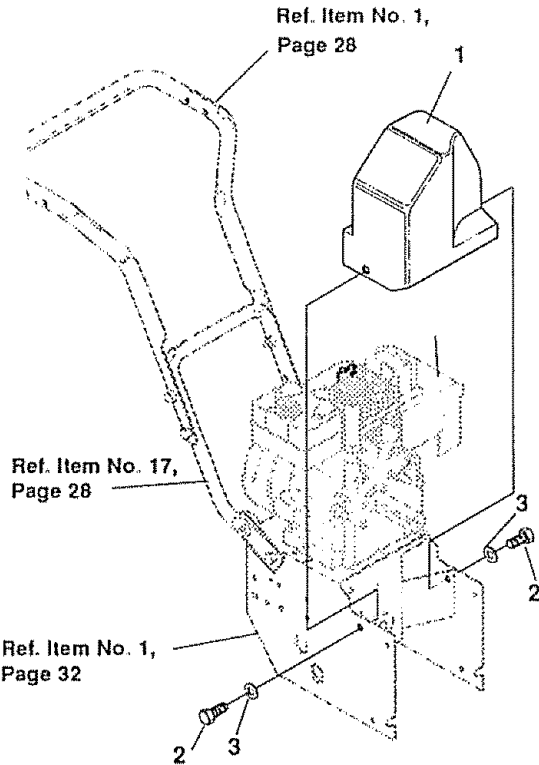
REF. NO.	PART NO.	PART NAME
15	71034	* Nut, Hex, 1/4-20 Thd.
16	305203-830	Auger, Assembly RH
17	305205-830	Auger, Assembly LH
18	9524	Screw, HHC, 1/4-20x1-3/4 In
19	3943	Spacer, Sleeve
20	73826	* Locknut, Hex, 1/4-20 Thd
21	301375	Bearing, Flange
22	302627	Nut, Wd Fl, 5/16-18 Thd.
23	302626	Screw, Wa, 5/16-18x3/4 In
24	305938-854	Plate, Auger Side, LH
25	305939-854	Plate, Auger Side, RH
26	323825	Bolt, Carriage, 1/4-20x 75 In
27	301380-830	Skid, Height Adjust
28	70993	Bolt, Carriage, 5/16-18x3/4 In

\* Indicates Standard Hardware Items

318999-313997E

# CRAFTSMAN 22" SNOW THROWER 536.886531

## BELT COVER REPAIR PARTS

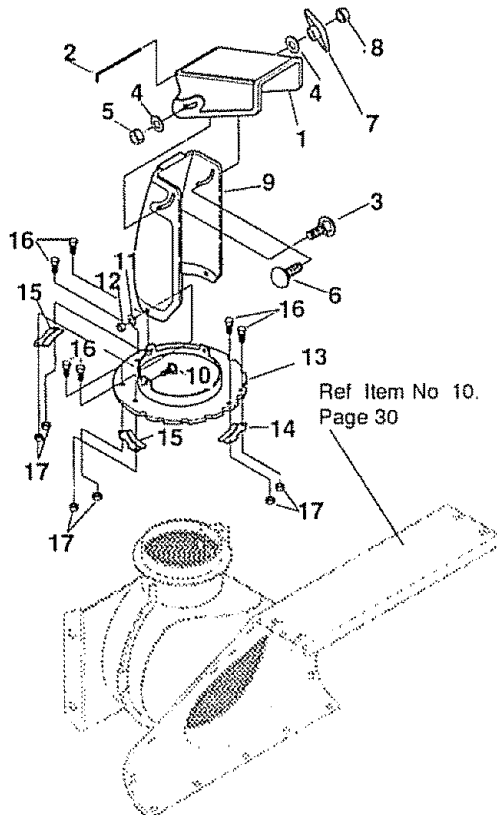


REF. NO.	PART NO.	PART NAME
1	580773	Cover, Belt
2	70978	Screw, WaTap, 1/4-20x1/2 In
3	71067	* Flatwasher, 5/8 In

\* Indicates Standard Hardware Items

318778-314018 A

## DISCHARGE CHUTE REPAIR PARTS



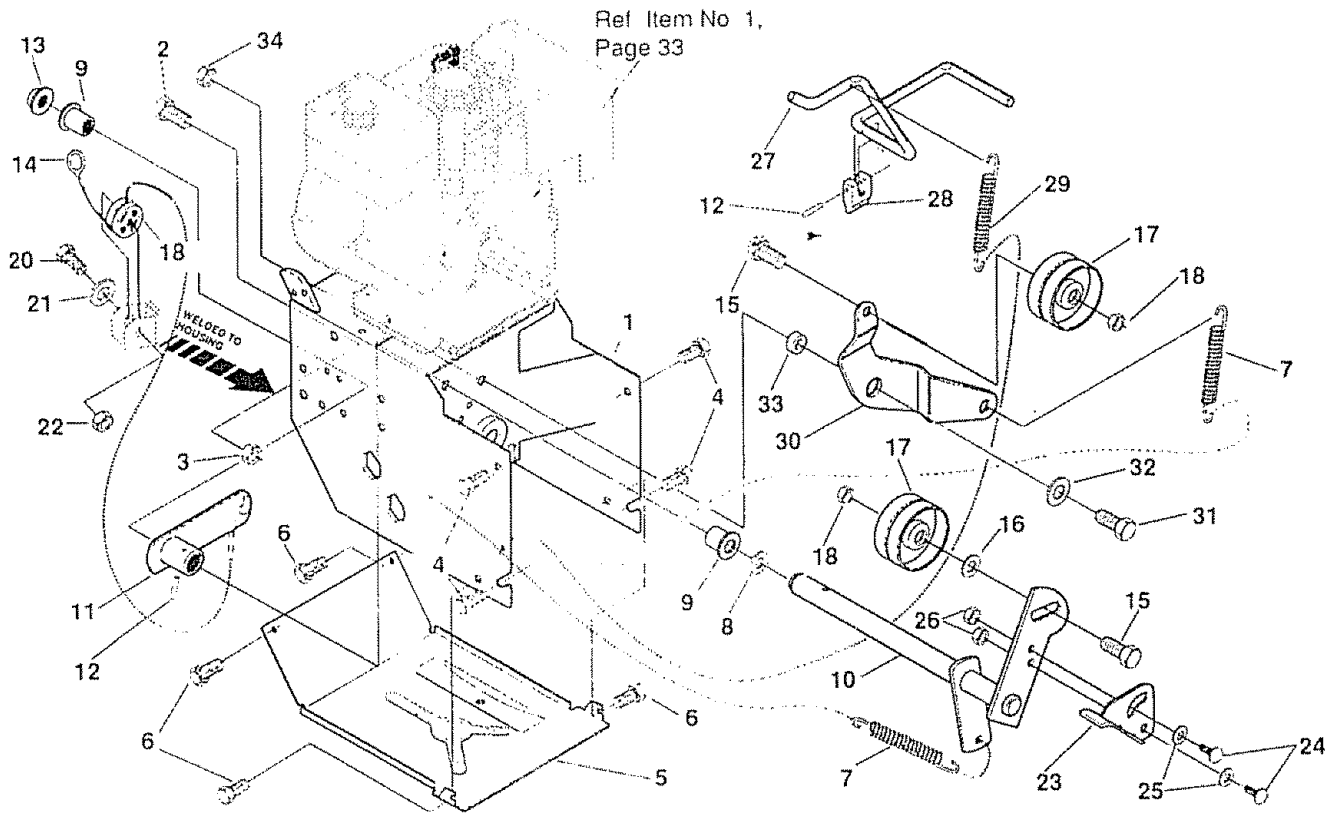
REF. NO.	PART NO.	PART NAME
1	307665	Upper Chute Deflector
2	308931	Wire, Chute Hinge
3	302634	Screw, SilMa, 5/16-18x3/4 In.
4	302680	Flatwasher, .312x.73x.065
5	71391	Locknut, Hex, 5/16-18 Thd.
6	302843	Bolt, Carriage, 5/16-18x1-1/4 In
7	57171	Knob, Tee
8	71037	* Nut, Hex, 5/16-18 Thd.
9	307698	Lower Chute
10	305236	Screw, HHC, 1/4-20x1/2 In.
11	71067	Flatwasher, .286x.63x.065
12	73826	* Locknut, Hex, 1/4-20 Thd.
13	302183-830	Ring, Lower Chute
14	85480	Clip, Chute Retainer
15	309057	Clip, Chute Retainer w/Stop
16	71032	Screw, WahMa, #8-32x1/2 In.
17	71058	Locknut, Hex, #8-32

\* Indicates Standard Hardware Items.

319029-313998 A

# CRAFTSMAN 22" SNOW THROWER 536.886531

## FRAME COMPONENTS REPAIR PARTS



REF. NO.	PART NO.	PART NAME
1	583052-854	Frame
2	71393	Screw, 5/16-24x1 00 In
3	71100	Locknut, HexWdFl, 5/16-24 Thd
4	70984	Screw, WaTap, 5/16-18x3/4 In
5	583031-830	Panel, Bottom
6	70978	Screw, WaTap, 1/4-20x1/2 In
7	53704	Spring, Idler Traction Drive
8	71074	Flatwasher, 53x1 06x 095
9	53703	Bearing, Flange
10	580889	Shaft Auger Clutch, Assy
11	579874	Lever, Auger Clutch
12	73801	Pin, Spring 165 DIA x 88 LG
13	73817	Nut, Push On
14	579856	Cable, Clutch
15	71006	Screw, HHC, 3/8-16x1-1/4 In
16	71072	Flatwasher
17	50793	Pulley, Idler

REF. NO.	PART NO.	PART NAME
18	590	Locknut, Jam, 3/8-16 Thd
19	579860	Spool, Cable Auger Clutch
20	71360	Screw, HHC, 1/4-20x1-3/4 In
21	71067	Flatwasher
22	71035	Nut, Hex Nyl, 1/4-20 Thd
23	580944	Cam, Brake Arm
24	302623	Bolt, Carriage, 1/4-20x5/8 In
25	120393	Flatwasher
26	1502	Locknut, Hex, 1/4-20 Thd
27	580946	Rod, Brake Arm
28	581540	Pad, Brake
29	318468	Spring, Tension
30	579872	Lever, Idler Arm Traction
31	70985	Screw, HHC, 5/16-18x3/4 In
32	73795	Flatwasher, 328x1 38x 075
33	579865	Bushing, Idler Lever
34	71038	Nut, Hex Nyl, 5/16-18 Thd

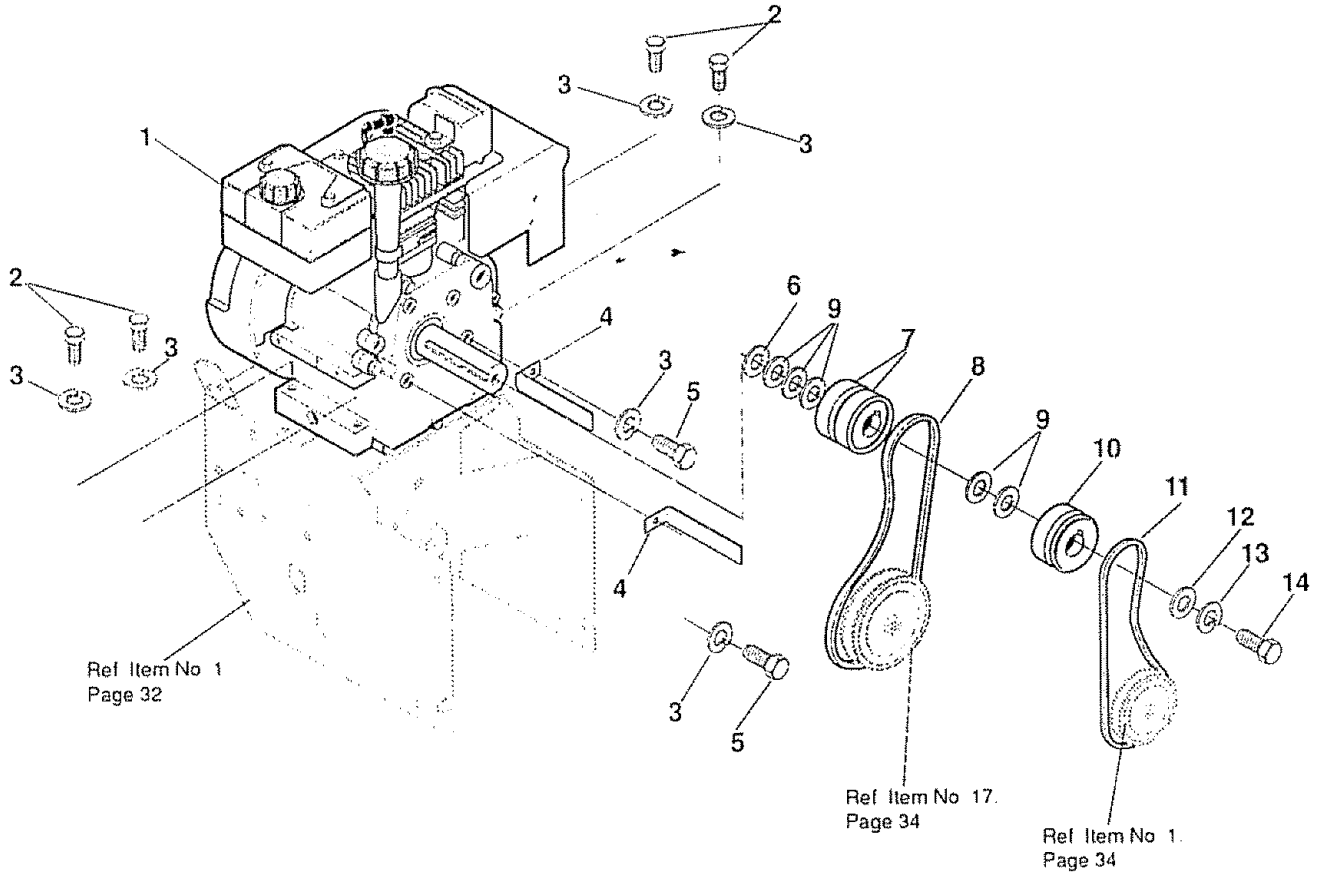
\* Indicates Standard Hardware Items

318790-313993 D



# CRAFTSMAN 22" SNOW THROWER 536.886531

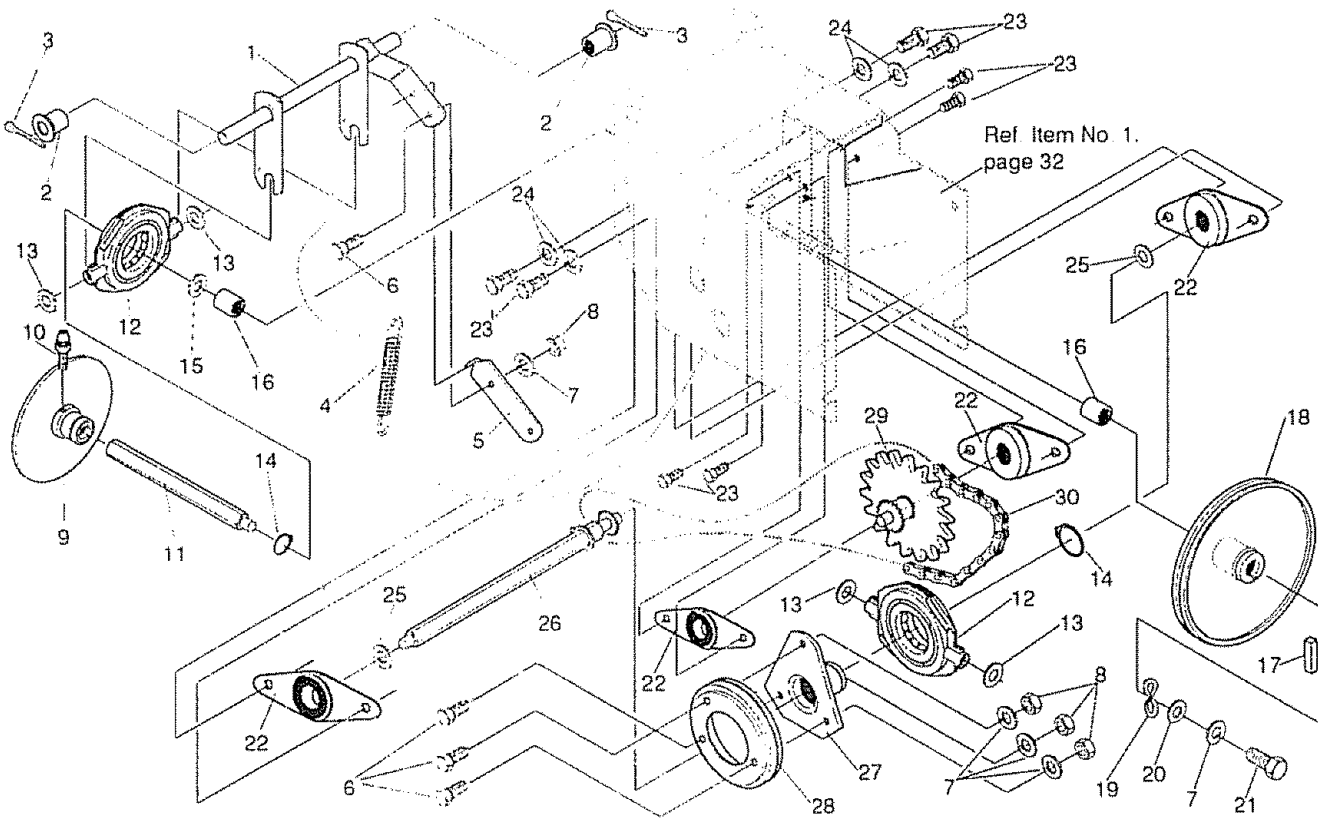
## ENGINE COMPONENTS REPAIR PARTS



REF. NO.	PART NO.	PART NAME
1	326712	Engine, Craftsman, Model No HSSK50-67326L (See Engine Repair Parts list)
2	302636	Screw, HHC, 5/16-18x1-1/4 In.
3	71060	Lockwasher, Split, 5/16x 58x 08
4	579857	Bracket, Belt Guide
5	578733	Screw, HHC, 5/16-24x5/8 In
6	579855	Washer, Crankshaft
7	579854	Pulley Half
8	579932	Belt, Traction Drive
9	579861	Flatwasher, .752x 91x .02
10	53715	Pulley, Engine
11	581264	Belt, Auger Drive
12	50677	Flatwasher, .375x1 25x .104
13	71063	Lockwasher, Split, 38ID
14	71015	Screw, HHC, 3/8-24x1 In

# CRAFTSMAN 22" SNOW THROWER 536.886531

## DRIVE COMPONENTS REPAIR PARTS



REF. NO.	PART NO.	PART NAME
1	579941	Lever Assembly, Traction Clutch
2	53703	Bearing, Flange
3	71079	Pin, Cotter
4	53818	Spring, Return
5	579937	Lever, Spring Traction Clutch
6	11871	Screw, HHC, 1/4-20x5/8 In
7	71059	Lockwasher, Split, 26x 50x 06
8	71034	* Nut, Hex, 1/4-20 Thd
9	583164	Disc, Friction Wheel. 7"
10	583206	Zerk, Grease
11	583155	Shaft, Hex Traction
12	85501	Bearing Assembly, Trunion
13	73812	Flatwasher. 50x1 00x 06
14	73811	Ring, Retainer
15	580969	Flatwasher. 680x1 12x 06

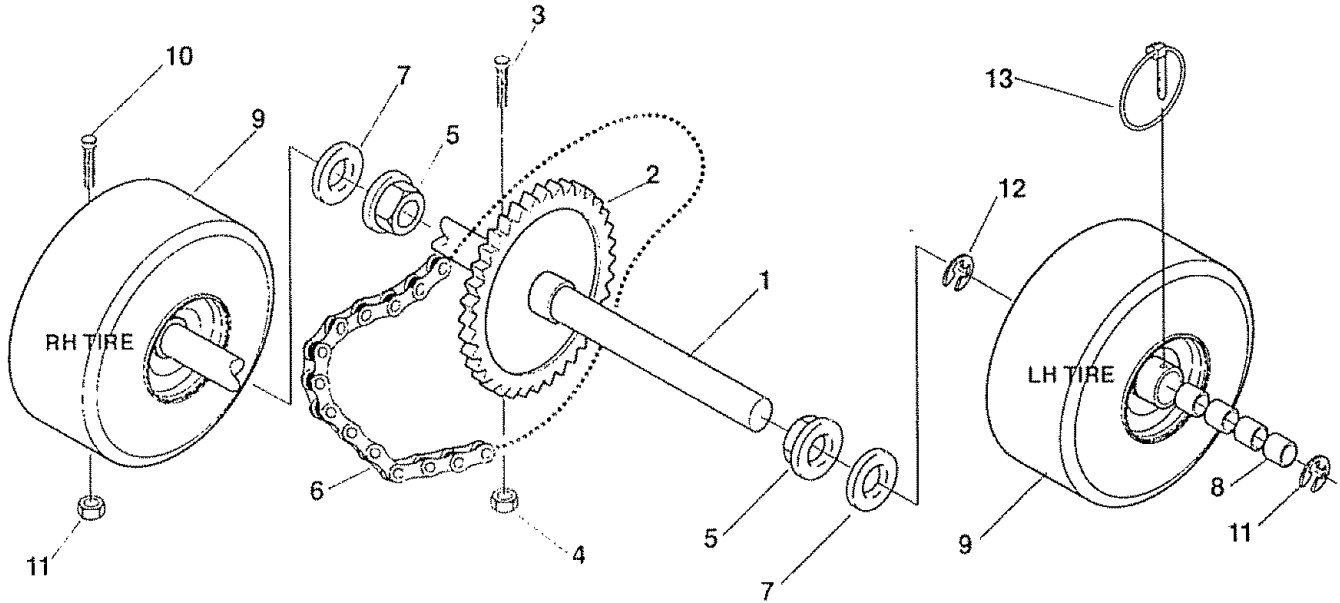
REF. NO.	PART NO.	PART NAME
16	49562	Bearing, Roller
17	580970	Key, Square
18	580961	Pulley, Traction Drive
19	580965	Wave Washer
20	578962	Flatwasher, 281x1 00x 063
21	579052	* Screw, HHC, 1/4-20x .63
22	1413	Bearing & Retainer Assembly
23	70982	Screw, WaTap, 5/16-18x1/2 In
24	71060	Lockwasher, Split, 31x 58x 08
25	579858	Washer, Special
26	579897	Shaft Hex & Sprocket Assembly
27	581773	Hub, Friction Wheel
28	53830	Wheel, Friction Disc
29	579893	Sprocket, 8 Tooth, Assembly
30	579867	Chain, Roller #42

\* Indicates Standard Hardware Items

318791-313995B

# CRAFTSMAN 22" SNOW THROWER 536.886531

## WHEEL ASSEMBLY REPAIR PARTS



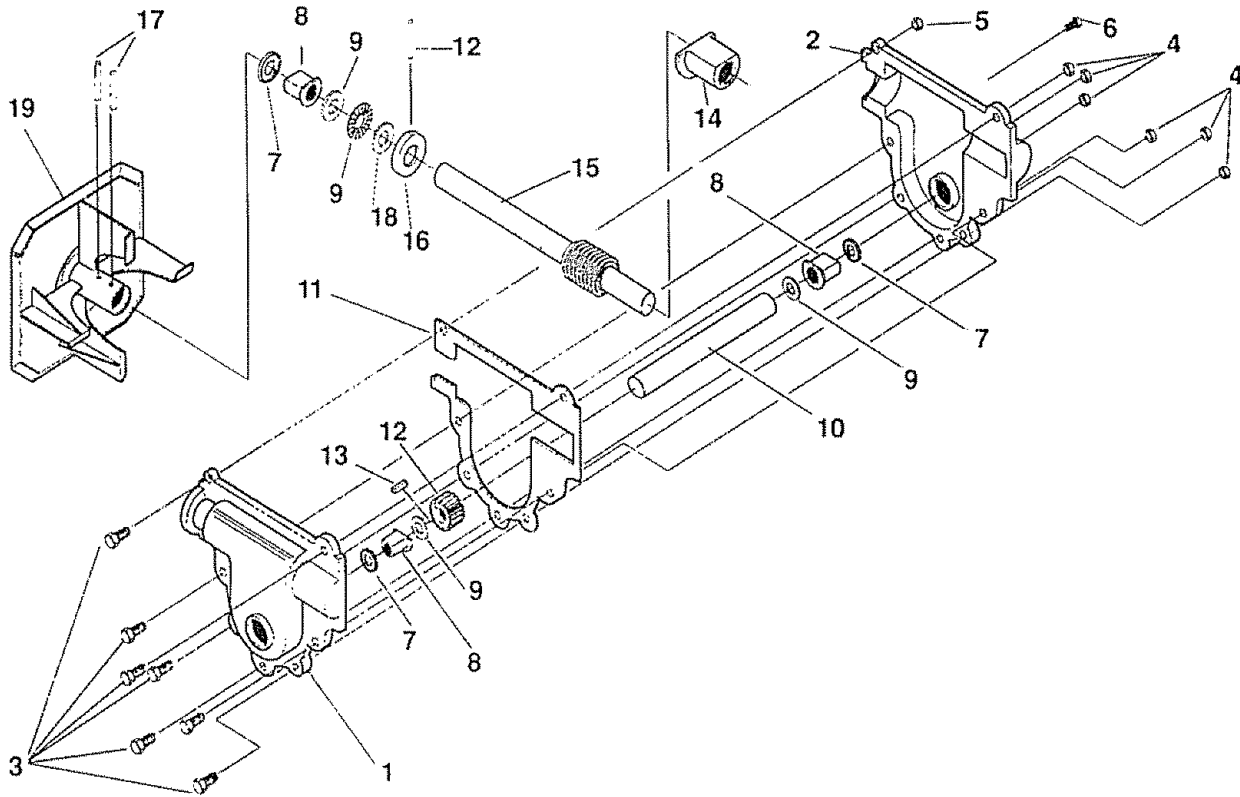
REF. NO.	PART NO.	PART NAME
1	580883	Shaft, Axle Wheel
2	583012	Sprocket & Assembly
3	73839	Screw, HHC, 1/4-20x2-1/4 In.
4	71035	Nut, Hex Nyl 1/4-20 Thd
5	581730	Bearing, Flange
6	579867	Chain, Roller
7	73840	Flatwasher, 765x1.12x.06
8	578572	Bearing, Flange
9	318504	Tire & Rim, 12x4 1x6
10	7285	Screw, HHC, 1/4-20x1-1/2 In.
11	73826	Locknut, Hex, 1/4-20 Thd.
12	239	Ring, Retaining
13	73842	

\* Indicates Standard Hardware Items.

319037-318542C

# CRAFTSMAN 22" SNOW THROWER 536.886531

## GEAR BOX REPAIR PARTS



REF. NO.	PART NO.	PART NAME
1	51278	Case, Gear Box R H
2	51277	Case, Gear Box L H
3	302628	* Screw, HHC, 1/4-20x3/4 In
4	302635	Locknut, Wd Fl, 5/16-24 Thd
5	303008	Nut, Hex Keps, 1/4-20 Thd
6	302630	Screw, WaTap, 3/8-16x1/2 In
7	24274	Seal, Oil
8	50304	Bearing, Flange
9	48275	Flatwasher, 752x1 24x 09
10	581388	Shaft, Auger. 22 In

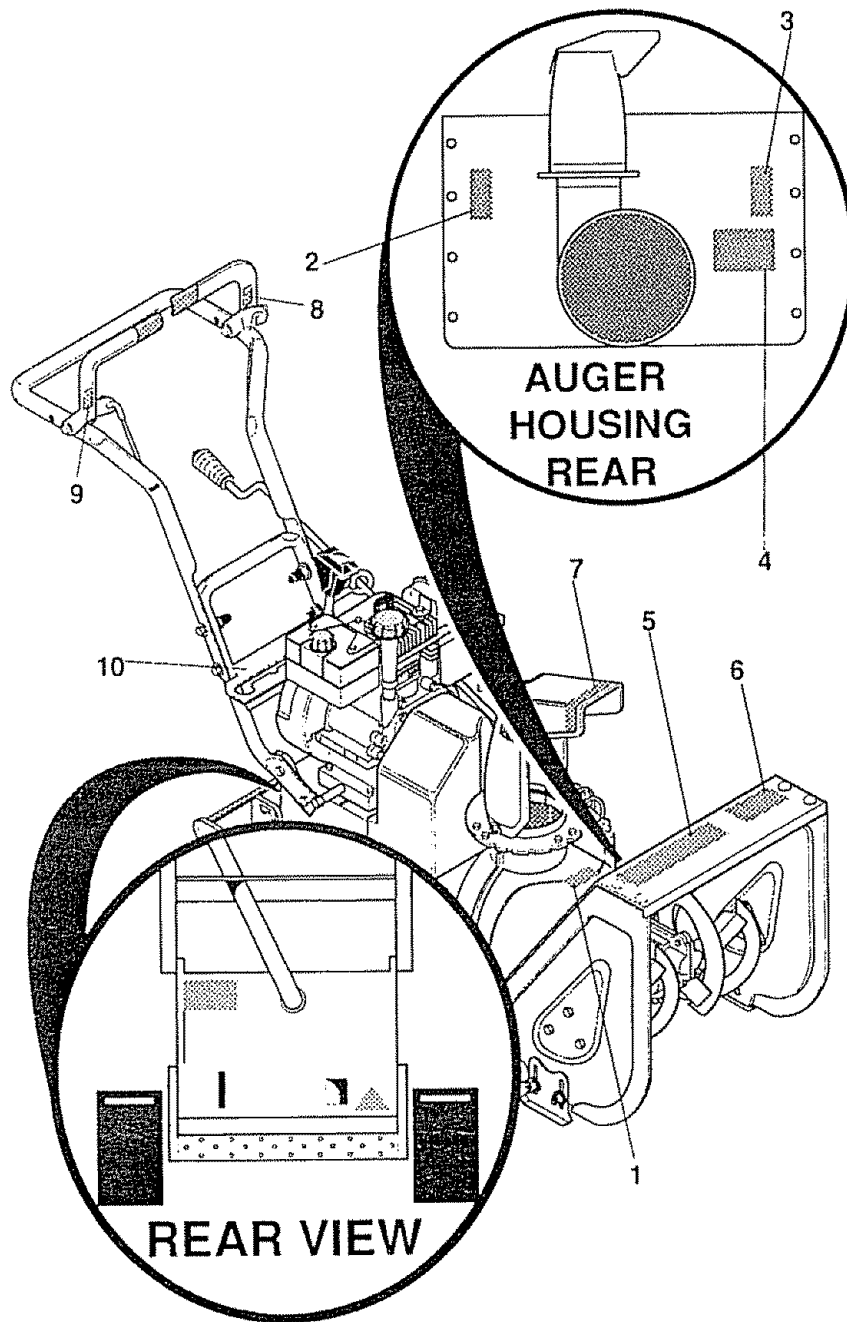
REF. NO.	PART NO.	PART NAME
11	51279	Gasket, Gear Case
12	51405	Gear, Worm
13	431787	Key, Woodruff #61
14	50221	Bearing, Flange
15	583125	Shaft, Worm Impeller
16	580295	Collar, Thrust
17	454565	Pin, Spring
18	50684	Bearing, Roll
19	301150-830	Impeller Assembly

\* Indicates Standard Hardware Items

319034-313996 A

CRAFTSMAN 22" SNOW THROWER 536.886531

DECALS

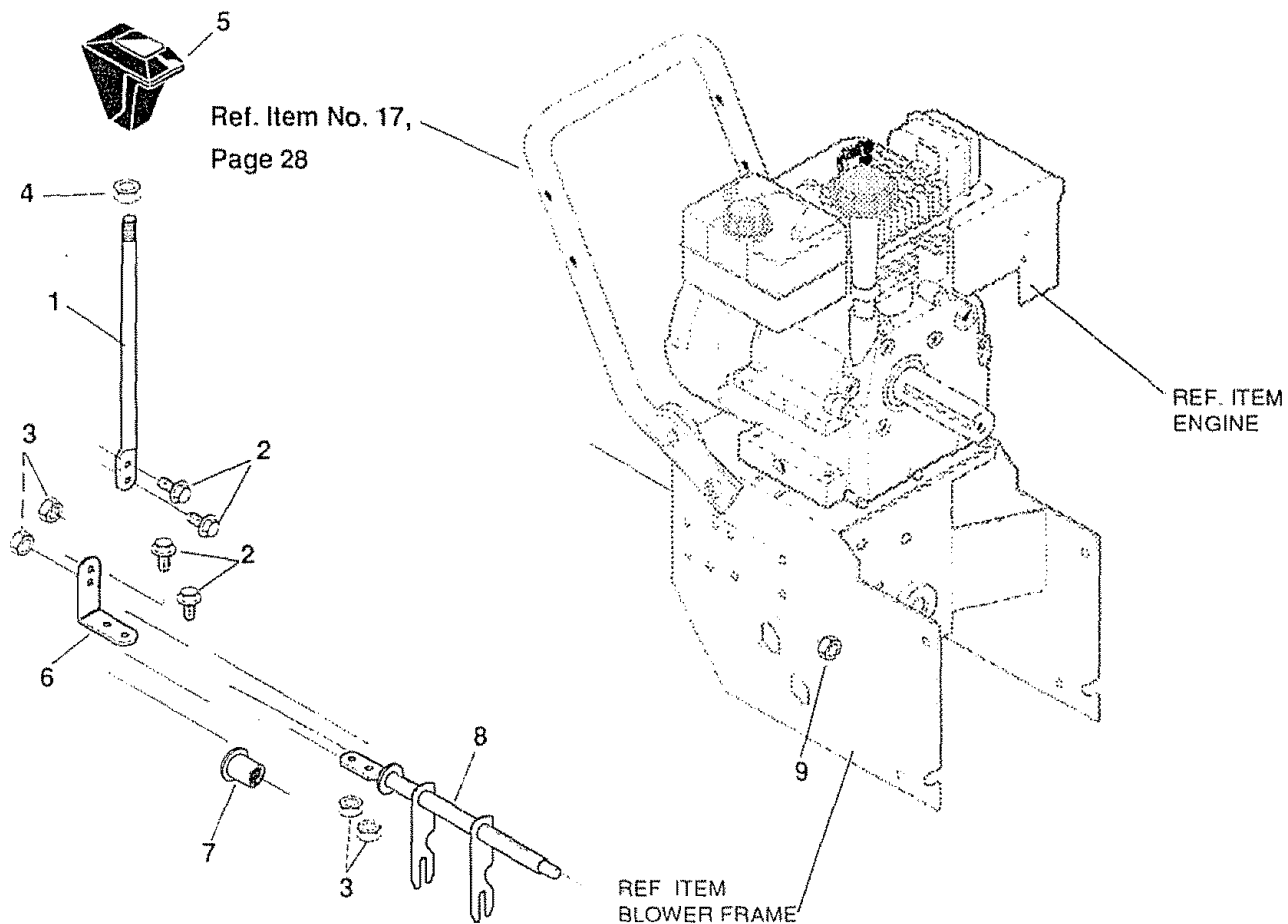


REF. NO.	PART NO.	PART NAME
1	302487	Decal, 9" Impeller
2	70141	Decal, Danger Auger
3	70142	Decal, Danger Chute
4	302922	Decal, Danger Instruction
5	308766	Decal, Craftsman
6	318507	Decal, 5/22 Auger Housing
7	308768	Decal, Danger Stripe Chute
8	3902	Decal, Traction Drive Engage
9	3903	Decal, Auger Drive Engage
10	319033	Decal, Gear Selector

319036-314005 B

# CRAFTSMAN 22" SNOW THROWER 536.886531

## SHIFT YOKE REPAIR PARTS



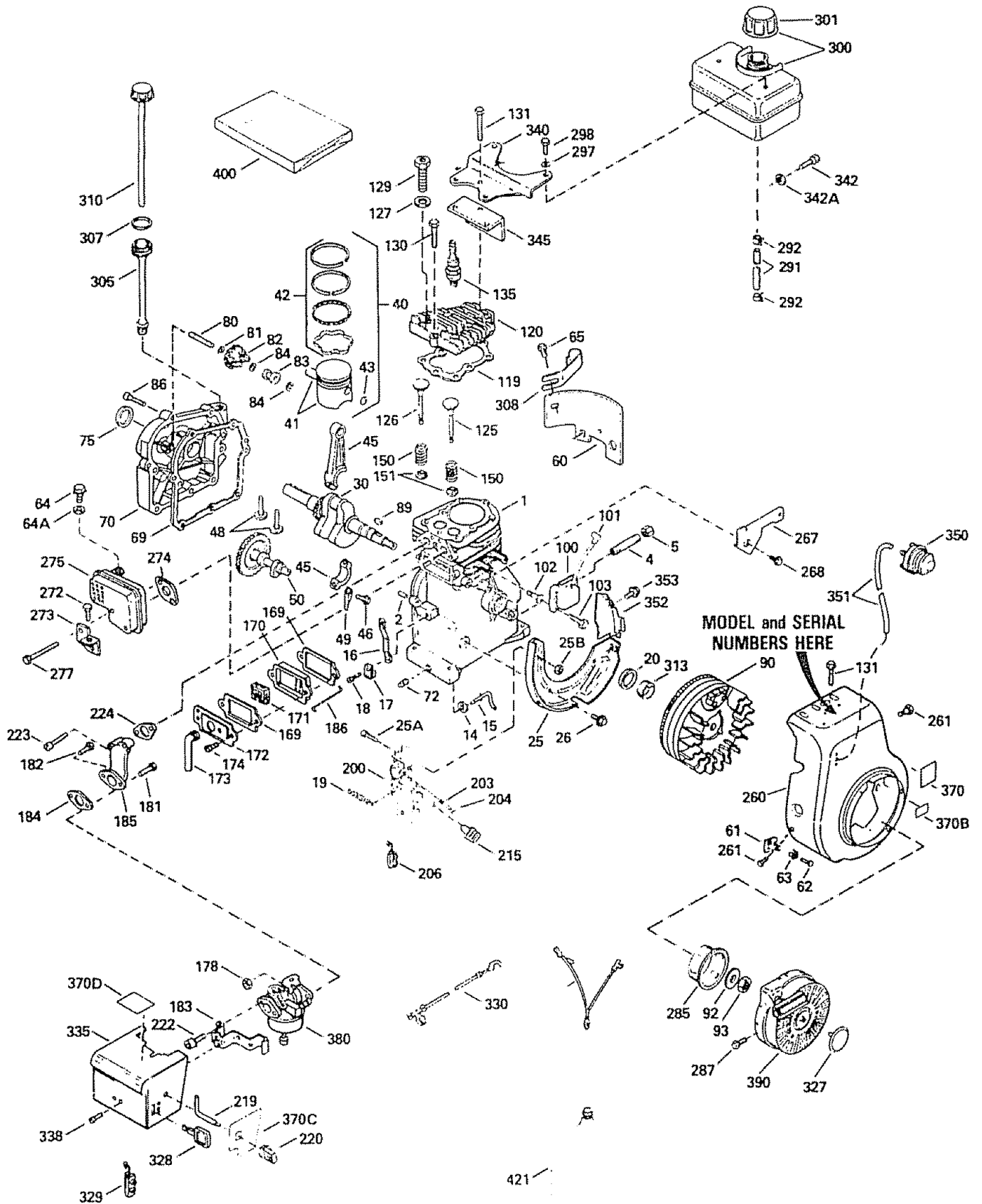
REF. NO.	PART NO.	PART NAME
1	580769-830	Rod, Shift
2	302638	←Screw, WdFl, 1/4-20x5/8 In
3	73826	* Locknut, Hex, 1/4-20 Thd
4	318486	Nut, HexJam, 1/2-13 Thd
5	304438	Knob, Shift, 1/2-13 Thd
6	580874	Plate, Shift Lever
7	579944	Bearing, Flange
8	580888-830	Speed Select Rod
9	71111	Locknut, Hex, 3/8-16 Thd

\*Indicates Standard Hardware Items

319032-319053 B

# CRAFTSMAN 4-CYCLE ENGINE

MODEL NUMBER: 143.834012



# CRAFTSMAN 4-CYCLE ENGINE

MODEL NUMBER: 143.834012

Ref. No.	Part No.	Part Name	Ref. No.	Part No.	Part Name
1	33674B	Cylinder Assy (Incl Nos 2, 20, 72 & 72A)	125	29315C	Valve, Exhaust (1/32" oversize) (Incl No. 151)
2	26727	Pin, Dowel	126	32644A	Valve, Intake (Std.) (Incl. No. 151)
4	30968	Nipple, Pipe	126	32645A	Valve, Intake (1/32" oversize) (Incl. No. 151)
5	30969	Cap, Oil drain	127	650691	Washer, Flat
14	28277	Washer, Flat	129	650818	Screw, Special hex hd. 5/16-18 x 1-1/2
15	31334	Rod, Governor	130	6021A	Screw, Hex flange hd., 5/16-18 x 1-1/2
16	31510	Lever, Governor	131	*650694A	Screw, Hex flange hd., 5/16-18 x 2
17	31335	Clamp, Governor lever	135	35395	Spark Plug, Resistor
18	650548	Screw, Hex washer hd., 8-32 x 5/16	150	31672	Spring, Valve
19	31426	Spring, Extension	151	31673	Cap, Valve spring
20	32600	Seal, Oil	169	*27234A	Gasket, Valve cover
25	133342	Baffle, Blower housing	170	27666	Body, Valve cover
25A	1650139	Screw, Fil. hd. Sems, 8-32 x 1/2	171	31410	Element, Valve body
25B	130322	Nut, Lock, 8-32	172	34146	Cover, Breather
26	650561	Screw, Hex washer hd. Durlok, 1/4-20 x 5/8	173	35350	Tube, Breather
30	34740	Crankshaft Assy	174	650128	Screw, Hex hd. Sems, 10-24 x 1/2
40	34535	Piston, Pin & Ring Assy (Std.) (Incl. Nos 41, 42 & 43)	178	29752	Nut & Lockwasher, 1/4-28
40	34536	Piston, Pin & Ring Assy (.010 oversize) (Incl. Nos. 41, 42 & 43)	181	6201	Screw, Hex hd., 1/4-28 x 7/8
40	34537	Piston, Pin & Ring Assy (.020 oversize) (Incl. Nos 41, 42 & 43)	182	650870	Screw, Hex hd., 1/4-28 x 1-11/16
41	33562B	Piston & Pin Assy (Std.) (Incl No. 43)	183	34583	Bracket, Choke
41	33563B	Piston & Pin Assy (.010 oversize) (Incl. No. 43)	184	*26756	Gasket, Carburetor
41	33564B	Piston & Pin Assy (.020 oversize) (Incl. No. 43)	185	33691	Pipe, Intake
42	33567	Ring Set, Piston (Std.)	186	32698	Link, Governor to throttle
42	33568	Ring Set, Piston (.010 oversize)	200	33858A	Control Assy., Bracket (Incl. Nos. 25A, 25B, 203, 204 & 206)
42	33569	Ring Set, Piston (.020 oversize)	203	31342	Spring, Compression
43	20381	Ring, Piston pin retaining	204	650549	Screw, Fil. hd., 5-40 x 7/16
45	32875	Rod Assy., Connecting (Incl. Nos 46 & 49)	206	610973	Terminal Assy.
46	32610A	Bolt, Connecting rod	215	35440	Knob, Speed control
48	27241	Lifter, Valve	219	34582	Rod, Choke
49	32654	Dipper, Oil	220	35438	Knob, Choke control
50	33158	Camshaft (Compression Release)	222	28820	Screw, Fil. hd. Sems, 10-32 x 1/2
60	29745	Extension, Blower housing	223	650664	Screw, Fil. hd. Sems, 1/4-20 x 1-19/32
61	34126	Bracket, Grommet mounting	224	*33673A	Gasket, Intake
62	650760	Screw, Pan hd. taplite, 8-32 x 3/8	260	35656A	Housing, Blower
63	28545	Grommet, Plastic	261	29212	Screw, Hex hd. Sems, 1/4-28 x 7/16
64	30063	Screw, Torx T-30 Hex washer hd Sems, 1/4-20 x 1/2	267	34212	Bracket, Hold down
64A	8345	Washer, Flat	268	30200	Screw, Hex washer hd self-tap Sems, 10-24 x 9/16
65	650128	Screw, Hex hd Sems, 10-24 x 1/2	272	650735	Screw, Hex hd. Sems, taplite, 10-24 x 3/8
69	*27677A	Gasket, Cylinder cover	273	33333	Bracket, Carburetor cover
70	34674B	Cover, Cylinder (Incl Nos 75 & 80)	274	*33670A	Gasket, Exhaust
72	27642	Plug, Pipe, 1/4-18	275	35771	Muffler (Incl No. 274)
75	27897	Seal, Oil	277	650327	Screw, Fil. hd. Sems, 1/4-20 x 2-1/2
80	30574	Shaft, Mechanical governor	285	34694	Cup, Starter
81	30590A	Washer, Flat	287	650884	Screw, Hex washer hd., 8-32 x 1/2
82	30591	Gear, Governor (Incl No 81)	291	30705	Line, Fuel
83	30588A	Spool, Governor	292	26460	Clamp, Fuel line
84	29193	Ring, Retaining	298	650665	Screw, Hex washer hd self-tap Sems, 1/4-15 x 7/8
86	650488	Screw, Hex hd Sems, 1/4-20 x 1-1/4	300	35584	Tank Assy., Fuel (Incl Nos 292 & 301)
89	610961	Key, Flywheel	301	35355	Cap, Fuel tank
90	611081	Flywheel (w/ring gear)	305	35554	Tube Assy., Oil fill
92	650815	Washer, Belleville	307	35499	"O" Ring
93	650863	Nut, Flywheel	308	35539	Clip, Oil fill
100	34443A	Solid State Assy.	310	35556	Dipstick
101	610118	Cover, Spark plug	313	34080	Spacer, Flywheel key
102	650872	Stud, Solid state mounting	327	35392	Plug, Starter
103	650814	Screw, Torx T-15 hex washer hd Sems, 10-24 x 1	328	35593	Key, Ignition
110	35557	Wire, Ground			
119	*33554A	Gasket, Cylinder head			*Indicates Parts Included in Gasket Set. Ref No 400
120	33016A	Head, Cylinder (Incl No 131)			
125	29313C	Valve, Exhaust (Std.) (Incl No 151)			



# CRAFTSMAN 4-CYCLE ENGINE

MODEL NUMBER: 143.834012

Ref No.	Part No.	Part Name	Ref. No.	Part No.	Part Name
329	610973	Terminal Assy	395B		Electric Starter Kit 143 88933 (Optional) Sold as accessory
330	35285	Wire. Ground			
335	35072	Cover. Carburetor	400	33683B	Gasket Set (Incl items marked *)
338	650257	Screw, Pan hd Sems. 8-32 x 5/16			
340	36247	Plate. Fuel tank	421	730226	Oil. 4-Cycle - SAE 5W30 (quart)
342	30063	Screw. Torx T-30 Hex washer hd Sems, 1/4-20 x 1/2			
342A	650675	Washer. Flat	RPM Settings: Low Speed: 1550 - 1850 High Speed: 3550 - 3850  *Indicates Parts Included in Gasket Set, Ref No 400  †In original production the speed control assembly is riveted to the blower housing baffle. Replacement speed control assembly includes screws and nuts for mounting. Replacement baffle has threaded holes		
345	33344	Baffle, Heat			
350	570682	Primer Assy			
351	32180C	Line. Primer			
352	35883	Extension. Baffle			
353	650884	Screw. Hex washer hd 8-32 x 1 2			
370B	34144	Decal. Primer			
370C	35282	Decal. Choke			
370D	35878	Decal. Warning			
380	632107A	Carburetor (Incl No 184)			
390	590648	Starter. Rewind			

CARBURETOR NO. 632107A

Ref. No.	Part No.	Part Name
1	631615	Throttle Shaft & Lever Assy
2	631767	Throttle Return Spring
6	631036	Throttle Shutter
7	650506	Throttle & Choke Shutter Screw
10	632108	Choke Shaft & Lever Assy
14	631815	Choke Shutter
15	630735	Choke Positioning Spring
16	631807	Fuel Fitting
17	650417	Idle Speed Screw
18	630766	Tension Spring
20	*631838	Idle Mixture Screw
21	630766	Idle Tension Spring
22	630739	Washer, Idle Screw
23	*630740	O Ring, Idle Screw
25	631951	Float Bowl Assy (Incl Nos 32 & 33)
27	*631024	Shaft, Float
28	632019	Float
29	*631028	O Ring, Float Bowl to Body
30	*631021	Inlet Needle, Seat & Clip (Incl No. 31)
31	631022	Spring Clip
32	27136A	Bowl Drain Assy (Incl No. 33)
33	27554	Drain Plunger Gasket
40	*31839	Main Adj. Screw Assy (Incl Nos 41, 42 & 43)
41	*630740	O Ring, High Speed Mixture Screw
42	630739	Washer, High Speed Mixture Screw
43	630738	Tension Spring, High Speed Mixture Screw
44	*27110	Bowl Nut Washer
47	*630748	Welch Plug, Idle Mixture Well
48	*631027	Welch Plug, Atmospheric Vent
60	31840	Repair Kit (Incl Parts Marked with *)

REWIND STARTER NO. 590648

Ref. No.	Part No.	Part Name
1	590648	Starter, Rewind
2	590599A	Pin, Spring (Incl No. 4)
3	590600	Washer
4	590615	Retainer
5	590601	Washer
6	590598	Spring, Brake
7	590616	Dog, Starter
8	590617	Spring, Dog
9	590645	Pulley
10	590619	Spring, Rewind
11	590620	Cover, Spring
12	590643	Housing Assy, Starter
13	590451A	Rope, Starter (Length 69" & 5/32" dia)
13	590387	Handle Assy, Starter

NOTES

# SEARS

## OWNER'S MANUAL

### MODEL NO. 536.886531

### HOW TO ORDER REPAIR PARTS

# CRAFTSMAN®

## 5 HORSEPOWER 22" DUAL STAGE SNOW THROWER

Optional electric start

Each SNOW THROWER has its own MODEL NUMBER found on the engine mount frame.

Each ENGINE has its own MODEL NUMBER found on the BLOWER HOUSING

Always mention these MODEL NUMBERS when requesting service or Repair Parts for your SNOW THROWER.

All parts may be ordered through Sears, Roebuck and Company Service Centers and most Retail Stores

**WHEN ORDERING REPAIR PARTS, ALWAYS GIVE THE FOLLOWING INFORMATION:**

- \* PRODUCT - "SNOW THROWER"
- \* MODEL NUMBER - 536.886530
- \* ENGINE MODEL NUMBER - 143.834012
- \* PART NUMBER
- \* PART DESCRIPTION

"Your Sears merchandise has added value when you consider that Sears has service units nationwide staffed with Sears trained technicians. Professional technicians specifically trained on Sears products, having the parts, tools and equipment to insure that we meet our pledge to you - we service what we sell."

SEARS, ROEBUCK AND CO., Hoffman Estates, IL 60195