

Danby

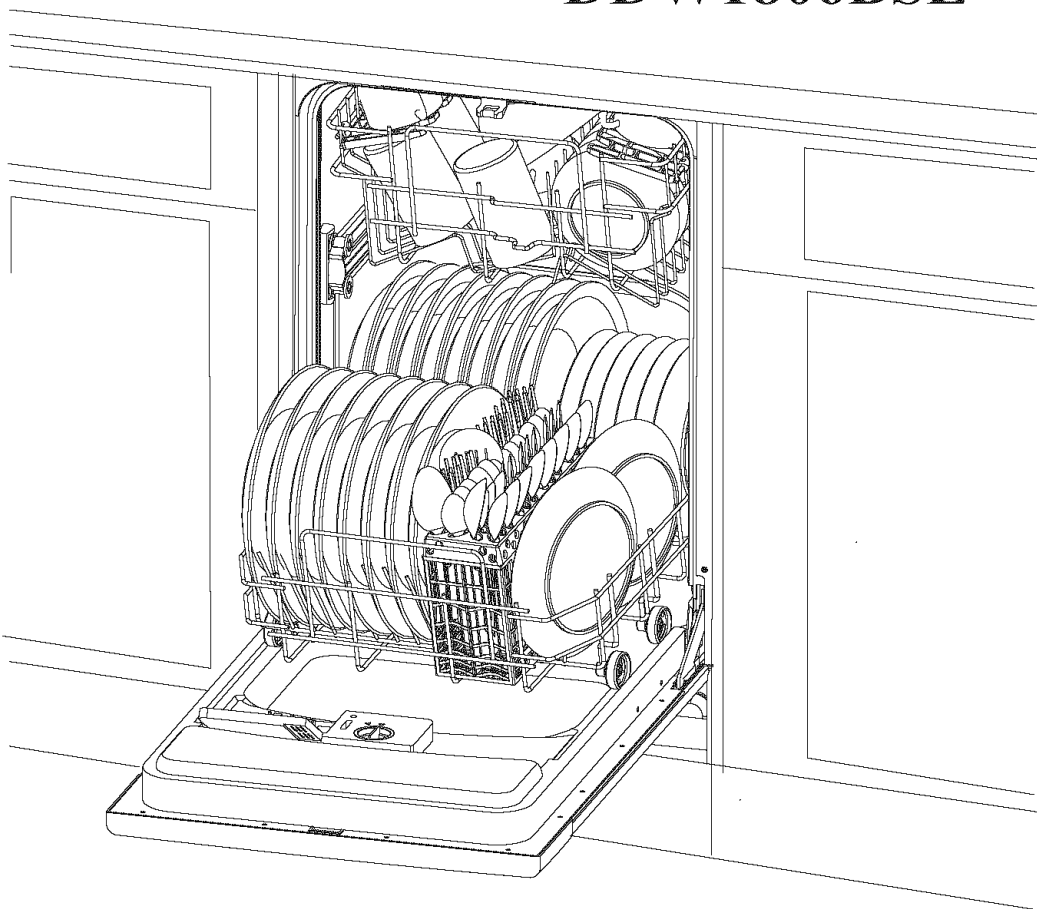
*Silhouette*

*Built-In Dishwasher*

*Instruction Manual*

**DDW1806BSL**

# Dishwashers



*Write the model and serial numbers here:*

*Model #* \_\_\_\_\_

*Serial #* \_\_\_\_\_

You can find them on the tub wall just inside the door or the lower part of back.

SAVE THESE INSTRUCTIONS



# A Service Partnership

---

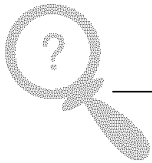
Thank you for buying this product. As a home appliances producer, we are proud of our quality products and we are committed to providing dependable service. We are able to utilize our global resources in creating innovation that makes housework lighter and easier, and provide a truly comfortable home for you to relax and enjoy.



## Read this Manual

---

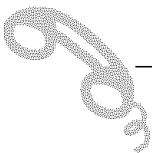
This manual contains specific operating instructions, safety instructions and troubleshooting tips. Please take a moment to carefully read the contents of this manual thoroughly and familiarize yourself with all operational aspects of your new dishwasher. This information will help you to use and maintain the dishwasher properly. These instructions are not meant to cover every possible condition and/or situation that may occur. Common sense and caution must be practiced when installing, operating and maintaining any appliance.



## Before Calling for Service

---

Before calling for service, review the section on troubleshooting tips. It may save you time and costly expense. This list includes common problems that are not the result of defective workmanship or materials in this appliance. NOTE: Never attempt to repair any equipment you are not properly qualified (trained) to service.



## If You Need Service

---

If you are unable to solve a problem yourself after reading the troubleshooting section. Please contact Danby Service at:



1-800-263-2629

Safety Information . . . . . 1

---

## Operating Instructions

Control Panel . . . . .	2
Dishwasher Features . . . . .	2
Wash Cycle Table . . . . .	3
Turning On the Appliance . . . . .	3
Water Softener . . . . .	4
Detergent . . . . .	5
Rinse Aid . . . . .	5,6
Dishwasher Rack . . . . .	6,7
Filtering System . . . . .	7
Caring for the Dishwasher . . . . .	7, 8

---

## Troubleshooting Tips

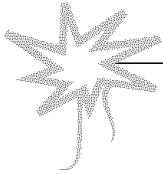
Before calling for service. . . . .	11,12
Fault Codes. . . . .	12
Overflow Conditions. . . . .	13

# IMPORTANT SAFETY INFORMATION

## READ ALL INSTRUCTIONS BEFORE USING

### **WARNING!**

When using your dishwasher, follow the basic precautions below.



### **WARNING! HYDROGEN GAS IS EXPLOSIVE**

Under certain conditions, Hydrogen gas may be produced in a hot-water system that has not been used for two weeks or more. **HYDROGEN GAS IS EXPLOSIVE.** If the hot-water system has not been used for such a period, before using the dishwasher turn on all hot-water faucets and let the water flow from each for several minutes. This will release any accumulated hydrogen gas. As the gas is flammable, do not smoke or use an open flame during this time.



### **GROUNDING INSTRUCTIONS**

- This appliance must be grounded. In the event of a malfunction or breakdown, grounding will reduce the risk of electric shock by providing a path of least resistance for electric current. This appliance is equipped with a cord having an equipment-grounding conductor and a grounding plug. The plug must be plugged into an appropriate outlet that is installed and grounded in accordance with all local codes and ordinances.

### **WARNING!**

- Improper connection of the equipment-grounding conductor can result in a risk of electric shock. Check with a qualified electrician or service representative if you are in doubt whether the appliance is properly grounded. Do not modify the plug provided with the appliance. If it does not fit the outlet have a proper outlet installed by a qualified electrician.



### **WARNING! PROPER USE**

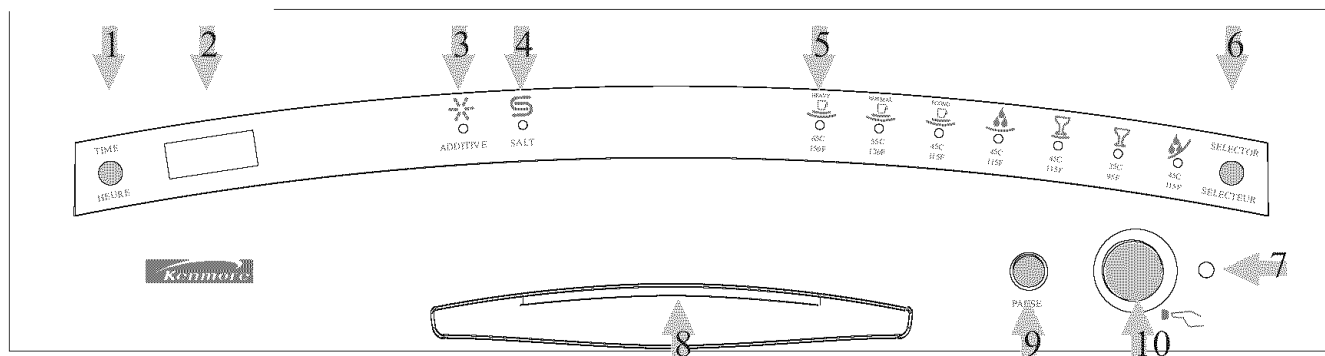
- Do not abuse, sit or stand on the door or dishrack of the dishwasher.
- Do not touch the heating element during or immediately after use.
- Do not wash plastic items unless they are marked dishwasher safe. For unmarked plastic items, check the manufacturer's recommendations.
- Use only detergent and rinse additives designed for automatic dishwashers. Never use laundry detergent, or hand washing detergent in your dishwasher.
- Always keep detergents and rinse agent additives out of the reach of children. (They can be very harmful if swallowed) Do not let children play unsupervised near any appliance whether operational or not.
- The door should not be left in the open position as this could present a tripping hazard.
- Do not tamper with controls.
- Do not operate your dishwasher unless all enclosure panels are properly in place. Open the door very carefully if the dishwasher is operating, there is a risk of water spraying out.
- Do not place any heavy objects or stand on the door when it is open. The appliance could tip forward.
- When loading items to be washed:
  - 1) Locate sharp items so that they are not likely to damage the door seal
  - 2) Load sharp knives with the handles up to reduce the risk of cuts.
- When using your dishwasher, you should prevent plastic items from contacting the heating element.
- If the supply cord is damaged, it must be replaced by the manufacturer or its service agent or a similarly qualified person in order to avoid a hazard.
- Please dispose of packing materials properly.
- Use the dishwasher only for its intended function.
- When removing or discarding an old dishwasher from service, always remove the door and/or defeat (disable) the door lock mechanism. This will prevent children from becoming accidentally trapped inside the machine and possibly suffocate.

**READ AND FOLLOW THIS SAFETY INFORMATION CAREFULLY**  
**SAVE THESE INSTRUCTIONS**

# IMPORTANT!

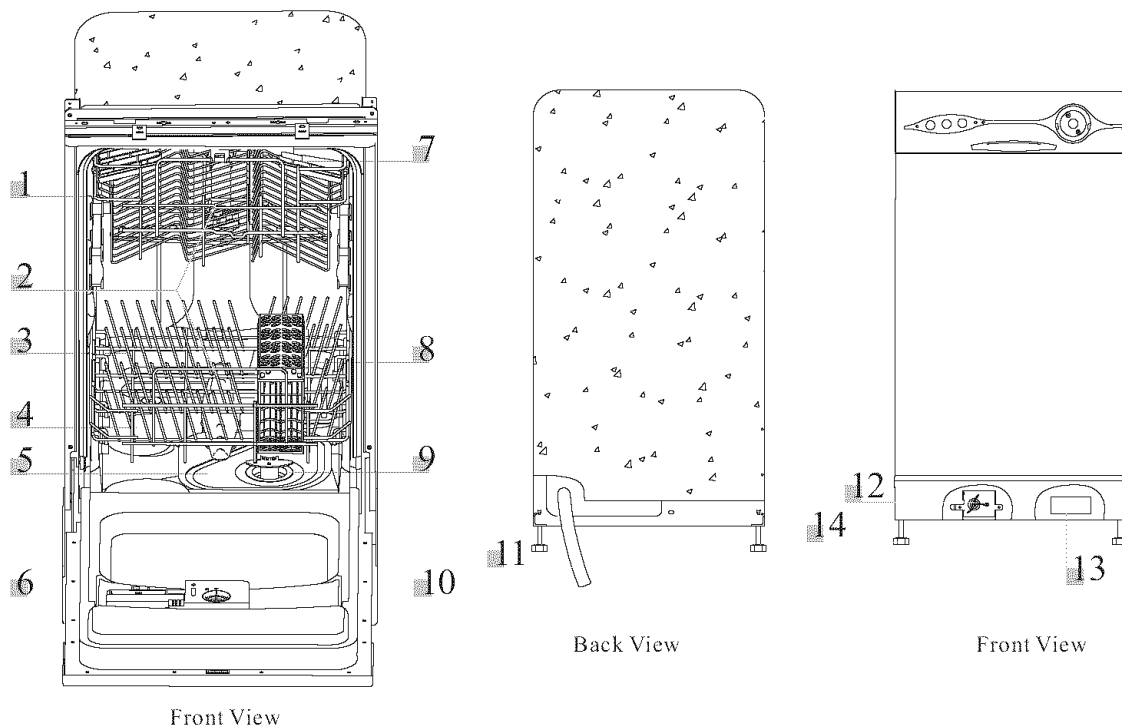
To get the best performance from your dishwasher, read all operating instructions before using it for the first time.

## About the Dishwasher Control Panel










- 1 Delayed Start Button: Press this button to set delayed (wash) start time. (between 1 ~ 9.5 hours)
- 2 Display Window: Program remaining time, delay time, and fault codes.
- 3 Rinse Aid Warning light: Add more rinse aid when the indicator on the front panel lights up.
- 4 Salt Warning Light: Add more salt when the indicator on the front panel lights up.
- 5 Program indicators.
- 6 Selector Button: Press this button to scroll through optional wash programs.
- 7 Power On indicator light: Comes on when the power is turned on.
- 8 Door Lock: Pull it to open the door.
- 9 Start/Pause Button: Press this button to start or pause.
- 10 Power Switch: Turn on/off the power supply.

## DISHWASHER FEATURES



- 1 Upper Rack
- 2 Spray Arms
- 3 Lower Rack
- 4 Water Softener
- 5 Main Filter
- 6 Detergent Dispenser
- 7 Cup Shelf
- 8 Silverware Basket
- 9 Coarse Filter
- 10 Rinse Aid Dispenser
- 11 Drain Hose
- 12 Inlet Valve
- 13 Junction Box
- 14 Leveling Leg

# WASH CYCLE TABLE

Program	Cycle	Cycle Selection Information	Description of Cycle	Detergent pre/main	Rinse Aid
Heavy	 65C 150F	For heavily soiled loads, such as pots, pans, casserole dishes and dishes with dried food.	Pre-rinse (45° C) Wash (65° C) Rinse Rinse (70° C) Drying.	4/20 gr.	★
Normal	 55C 130F	For normally soiled loads, such as pots, plates, glasses and lightly soiled pans. Standard daily cycle.	Pre-rinse Wash (55° C) Rinse Rinse (70° C) Drying.	4/20 gr.	★
Economy	 45C 115F	For lightly soiled loads, such as plates, glasses, bowls and lightly soiled pans.	Wash (45° C) Rinse Rinse (70° C) Drying.	20 gr.	★
Rinse	 45C 115F	For dishes that need to be rinsed and dried only	Rinse Rinse (70° C) Drying.		★
Glass	 45C 115F	A shorter wash for lightly soiled loads that do not need drying.	Wash (45° C) Rinse Rinse (65° C) Drying	15 gr.	★
Rapid	 35C 95F	For lightly soiled loads, such as glasses, crystal and fine china.	Wash (35° C) Rinse Rinse	15 gr.	
Soak	 45C 115F	Pre-wash of dishes, pots and pans while waiting for the load to be completed after the subsequent meal.	Pre-rinse		

## TURNING ON THE APPLIANCE

### Starting a wash cycle. . .

- 1 Draw out the lower and upper basket, load the dishes and push them back. It is recommended to load the lower basket first, then the upper basket.
- 2 Add Detergent and rinse aid:  
(See Page 5)
- 3 Ensure the door is properly closed.  
**NOTE:** A click will be heard when the door is closed properly.
- 4 Press the ON/OFF button.
- 5 According to the soil level, choose the desired program by pressing the program selection button.
- 6 Press the Start/Pause button to start the washing.
- 7 Press the ON/OFF button at the end of washing. Open the door of the dishwasher after waiting 30 minutes.

### Change the Program

It is possible to change a program selection anytime during operation, by following the below steps;

- 1 Press the Start/Pause button to stop the washing program.
- 2 Press the selector button to select the desired program. (the red pilot light will illuminate below the selection made).
- 3 Press the Start/Pause button to re-start the dishwasher.

### At the end of the wash

At the end (completion) of the regular wash program, the time display will flash accompanied by an audible signal for approximately 8 seconds.

**NOTE:** There is "no" audible signal at the end of the wash program when using the "delay" start program. Only the time display will flash.

**NOTE:** If the door is opened during operation, the dishwasher stops automatically and will re-start automatically when the door is closed. There may be a slight delay of several seconds before the machine starts. This is normal.

# WATER SOFTENER

This dishwasher is featured with a self-contained water softener system. If your dishwasher is connected to a water source already treated, (soft water) you do not need to utilize this feature.

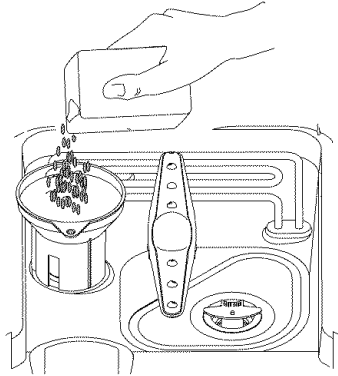
If the dishwasher is not connected to a pre-treated (soft water) source, we strongly recommend you take full advantage of this feature. NOTE: For the best wash results, "always" use pre-treated (soft) water.

The hardness of water varies from place to place. If hard water is used in the dishwasher, lime and other mineral deposits will form on the dishes, utensils and stainless steel tub. The water softener system on this unit is designed to eliminate/reduce such minerals found in hard water.

## Loading the Salt into the Softener

Always use salt intended for use with water softeners only.

The salt container is located beneath the lower rack and should be filled as follows:

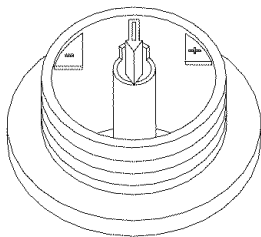


- 1 Remove the lower basket and unscrew and remove the cap from the salt container.
- 2 If you are filling the container for the first time, fill 2/3 of its volume with water.
- 3 Place the end of the salt filter (supplied) into the hole and fill with about 2kg (4 lbs) of salt. It is normal for a small amount of water to come out of the salt container.
- 4 Carefully screw on the cap.

- NOTE:**
1. The salt container must be refilled when the salt warning light comes on. Even though the salt container is full, the indicator light may not switch off before the salt is fully dissolved.
  2. If salt spillage occurs, run a soak program to dissolve the salt crystals.

## Adjusting Salt Consumption

The dishwasher is designed to allow for adjusting the amount of salt consumed based on the hardness of the water used. This is intended to optimize and customize the level of salt consumption. To adjust salt consumption, proceed as follows:



- 1 Unscrew the cap from the salt container.
- 2 There is a ring on the container with an arrow on it (see Figure to the side), if necessary, rotate the ring in the counterclockwise direction from the "-" Sign toward the "+" sign, based on the hardness of the water being used. It is recommended that adjustments should be made in accordance with the following:

WATER HARDNESS			Selector Position	Salt consumption (gram/cycle)	Auto nomy (cycles/2kgs)
Clarke Degrees	°dH	mmol/l			
0~14	0~10	0~1.7	-	0	/
14~36	18~44	1.8~4.4	/	20	60
36~71	45~89	4.5~8.9	MED	40	40
71	89	8.9	+	60	25

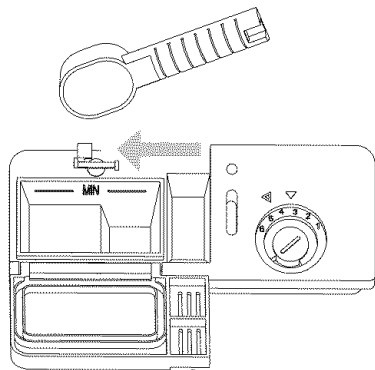
Contact your local water board for information on the hardness of your water supply.

# DETERGENT DISPENSER

The dispenser must be refilled before the start of each wash cycle following the instructions provided in the "Wash Cycle Table". Our dishwashers use less detergent and rinse aid than conventional dishwashers. Generally, only one tablespoon of detergent is needed for a normal wash load. More heavily soiled items need more detergent. Always add the detergent just before starting dishwasher, otherwise it could get damp and will not dissolve properly.

## Amount of Detergent to Use

The amount of detergent needed can vary due to differences in water hardness. To determine the water hardness in your area, contact your local water utility or water softening company. The harder the water, the more detergent you may need. Remember, you should adjust the amount of detergent you use by small amounts until you find the correct amount.



### ▲ WARNING!

Dishwasher detergent is corrosive! Take care to keep it out of the reach of children.

## Removing Hard Water Spots

To remove hard water spots, try the following:

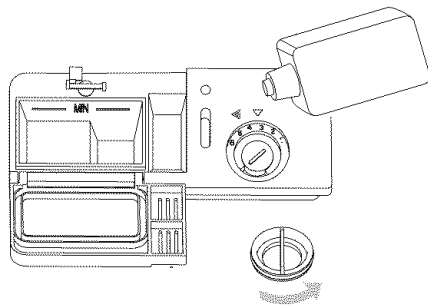
- Run dishes through a normal wash program.
- Remove all metal dishware, such as cutlery, pans, etc., from the dishwasher.
- Do not add detergent.
- Pour two cups of vinegar into a bowl and set the bowl face up on the lower rack of the dishwasher.
- Run the dishes through a normal wash program.

If this doesn't work, try the same process with 1 / 4 cup of citric acid crystals instead of vinegar.

## Proper Use of Detergent

Use only detergent specifically made for use in dishwashers. Keep your detergent fresh and dry. Don't put powder detergent into the dispenser until you are ready to wash dishes.

# RINSE AID DISPENSER



- To open the dispenser, turn the cap to the "open" (left) arrow and lift it out.
- Pour the rinse aid into the dispenser, being careful not to overflow.
- Replace the cap by inserting it aligned with "open" arrow and turning it to the closed (right) arrow.

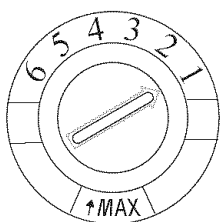
The rinse aid is released during the final rinse cycle to prevent water spots from forming on your dishes that can leave spots and streaks. It also improves drying by allowing water to "sheet" off the dishes.

Our dishwashers are designed to use liquid rinse aids. The rinse aid dispenser is located inside the door next to the detergent dispenser. To fill the dispenser, open the cap and pour the rinse aid into the dispenser until the level indicator turns completely black. The dispenser holds about 100 ml (3.3 oz) of liquid rinse aid.

Be careful not to overfill the dispenser, because this could cause over sudsing. Wipe away any spills with a damp cloth. Don't forget to replace the cap before you close the dishwasher door.

If you have soft water, you may not need rinse aid for it may cause a white film to develop on your dishes.

## Adjusting Rinse Aid Dispenser

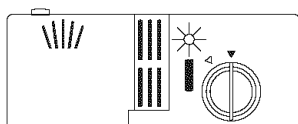


A measured amount of rinse aid is released during the final rinse. As with detergent, the amount of rinse aid needed for your dishes depends on the hardness of the water in your area. Too much rinse aid can result in lather foaming and cause cloudiness or streaks on your dishes. If the water in your area is very soft, you may not need rinse aid. If you do, you can dilute the rinse aid with an equal amount of water.

The rinse aid dispenser has six settings. Always start with the dispenser set on "1". If spots and poor drying are problems, increase the amount of rinse aid dispensed by removing the dispenser lid and rotating the dial to "2". If the dishes still are not drying properly or are spotted, adjust the dial to the next higher number until your dishes are spot-free.

## When to Refill the Rinse Aid Dispenser

Normally, the rinse agent pilot light on the control panel will illuminate automatically when the dispenser is empty. We recommend you check the level periodically and adjust as needed.

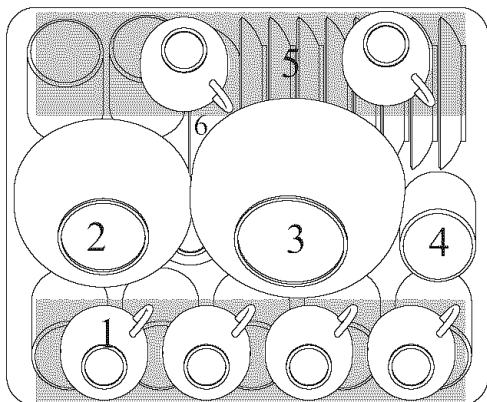


## Loading the Dishwasher Racks

For best performance of the dishwasher, follow these loading guidelines. Features and appearance of racks and silverware baskets may vary from your model.

### How to use the Upper Rack

The upper rack is designed to hold more delicate and lighter dishware such as glasses, coffee and tea cup and saucers, as well as plates, small bowls and lightly soiled shallow pans. Position the dishes and cookware so that they do not get moved by the spray of water. The upper rack can be adjusted for height by putting wheels of different height into the rails.

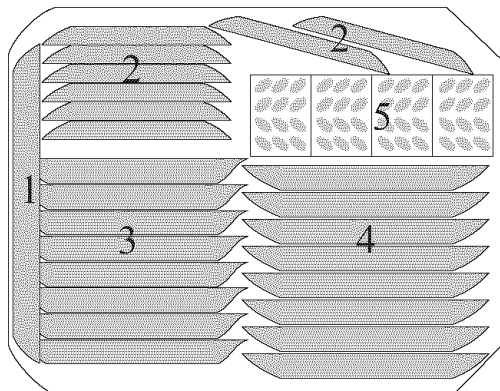


- 1 Cups
- 2 Small serving bowl
- 3 Large serving bowl
- 4 Glasses
- 5 Saucers
- 6 Dish
- 7 Plates

### How to use the Lower Rack

We recommend that you place large items which are most difficult to clean into the lower rack: pots, pans, lids, serving dishes and bowls, as shown in the figure below. It is preferable to place serving dishes and lids on the side of the racks in order to avoid blocking the rotation of the top spray arm.

- Pots, serving bowls, etc, must always be placed top down.
- Deep pots should be slanted to allow water flow.
- The bottom rack features fold down tine rows so that larger or more pots and pans can be loaded.

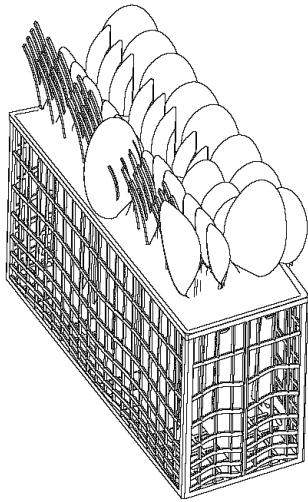


- 1 Oval platter
- 2 Dinner plates
- 3 Soup plates
- 4 Dessert dishes
- 5 Silverware basket



# SILVERWARE BASKET

Silverware should be placed in the silverware basket with handles at the bottom. Knives should be placed with handles up to avoid cuts. Long utensils should be placed in the horizontal position at the front of the upper rack.



1	4	5	2
1	4	5	
1	4	5	2
1	4	5	2
1	4	5	
4	4	5	2
7	4	5	2
8	3	5	
1	3	3	2
1	3	3	
6	3	6	2

- 1 Forks
- 2 Soup spoons
- 3 Dessert spoons
- 4 Teaspoons
- 5 Knives
- 6 Serving spoon
- 7 Gravy ladle
- 8 Serving fork

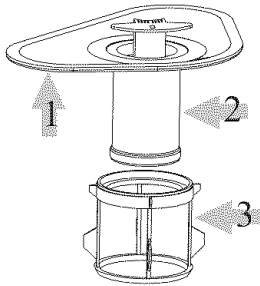


## ▲ WARNING!

Do not let any item extend through the bottom of the basket.

## Filtering System

For your convenience, we have placed the drain pump and filtering system within easy reach inside the tub. There are three components of the filtering system: the main filter, the coarse filter, and the fine filter.



- 1 **Main filter**  
Food and soil particles trapped by this filter are pulverized by a special jet on the lower spray arm and washed down the drain.
- 2 **Coarse filter**  
Larger items, such as pieces of bone or glass, that could clog the drain are trapped in the coarse filter. To remove an item caught in this filter, gently pull the tabs on top of this filter and lift it out.
- 3 **Fine filter**  
This filter holds soil and food residue in the sump area and prevents it from being redeposited on the dishes during a cycle.  
Clean the filters regularly.

## Caring for the Dishwasher

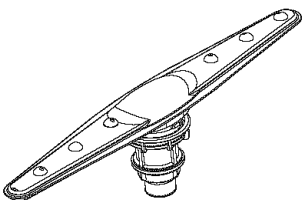
To clean the control panel use a lightly dampened cloth then dry thoroughly. To clean the exterior use a good appliance polish wax.

Never use sharp objects, scouring pads or harsh cleaners on any part of the dishwasher.

## Protect Against Freezing

If your dishwasher is left in an unheated place during the winter, ask a service technician to:

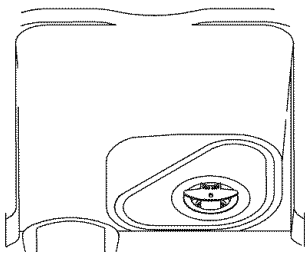
- 1 Cut off electrical power to the dishwasher. Remove fuses or trip circuit breaker.
- 2 Turn off the water supply and disconnect the water inlet pipe from the water valve.
- 3 Drain water from the inlet pipe and water valve.  
(Use a pan to catch the water.)
- 4 Reconnect the water inlet pipe to the water valve.
- 5 Remove the plastic sump cover in the bottom and use a sponge to soak up water.



## Cleaning the Spray Arms

It is necessary to clean the spray arms regularly for hard water chemicals will clog the spray arm jets and bearings. To remove the spray arm, screw off the nut to take out the washer on top of the spray arm and remove the arm. Wash the arms in soapy and warm water and use a soft brush to clean the jets. Replace them after rinsing them thoroughly.

## Cleaning the Filters



### Filter assembly

For best performance and results, the filter assembly must be cleaned.

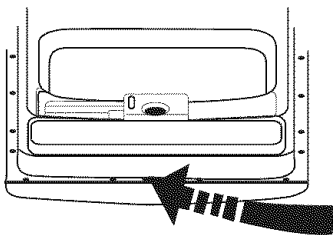
The filter efficiently removes food particles from the wash water, allowing it to be recirculated during the cycle. For this reason, it is a good idea to remove the larger food particles trapped in the filter after each wash cycle by rinsing the semicircular filter and cup under running water. To remove the filter assembly, pull on the cup handle in the upward direction. The entire filter assembly should be cleaned at least once a month.

To clean the coarse filter and the fine filter, use a cleaning brush. Then, reassemble the filter parts and reinsert the entire assembly in the dishwasher, positioning in its seat and pressing downward.

The dishwasher must never be used without the filters. Improper replacement of the filter may reduce the performance level of the appliance and damage dishes and utensils.

### ▲ **WARNING!**

Never run the dishwasher without the filters in place.



## Cleaning the Door

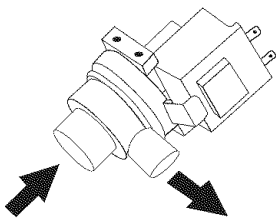
To clean the edge around the door, you should use only a soft warm, damp rag. To prevent penetration of water into the door lock and electrical components, do not use a spray cleaner of any kind.

Also, never use abrasive cleaners or scouring pads on the outer surfaces because they will scratch the finish.

### ▲ **WARNING!**

Never use a spray cleaner to clean the door panel for it could damage the door lock and electrical components. It is not allowed to use abrasive agents because of the risk of scratching or leaving spots on the stainless steel surface.

## Cleaning the Drain Pump



Something may occasionally move into the filters and drain pump. If this occurs, the drain pumps employed in our dishwashers are designed to automatically reverse, ejecting the item back into the sump area or down the drain. If you have to remove an obstacle from the drain pump, before you remove the filters, you should turn off the power; Then remove the small black insert from the sump area. (you might want to remove any standing water first). Scoop out the item that is probably in the sump area causing the obstruction. Remember to replace the black insert before you put the filters back in.

## How to Keep Your Dishwasher in Shape

### After Every Wash

After every wash, turn off the water supply to the appliance and leave the door slightly ajar so that moisture and odor are not trapped inside.

### Remove the Electrical Plug

Before cleaning or performing maintenance, always remove the electrical plug from the socket.

### No Solvents or Abrasive Cleaning

To clean the exterior and rubber parts of the dishwasher, do not use solvents or abrasive cleaning products.

Use only a cloth and warm soapy water.

To remove spots or stains from the surface of the interior, use a cloth dampened with water and a little white vinegar, or a cleaning product made specifically for dishwashers.

### When You Go on Holidays

When you go away on holidays, it is recommended that you run a wash cycle with the dishwasher empty. Disconnect the power cord from the wall outlet, turn off the water supply and leave the door slightly ajar. This will help the door seal to last longer and prevent odors from forming inside the tub.

### Moving the Appliance

If the appliance must be moved, try to keep it in a vertical position.

### Seals

One of the factors that cause odors to form in the dishwasher is food that remains trapped in the seals.

Periodic cleaning with damp sponge will prevent this from occurring.

# BEFORE CALLING FOR SERVICE . . .


## Troubleshooting Tips

By reviewing the charts on the following pages, you may save yourself time and money.



<i>Problem</i>	<i>Possible Causes</i>	<i>What To Do</i>
<i>Dishwasher doesn't run</i>	Fuse blown, or the circuit breaker acted	Replace fuse or reset circuit breaker. Remove any other appliances sharing the same circuit with the dishwasher.
	Power supply is turned off	Make sure the dishwasher is turned on and the door is closed securely. Make sure the power cord is properly plugged into the wall socket.
	Start button wasn't pressed	Press the Start button.
<i>Drain pump doesn't stop</i>	Overflow	The system is designed to detect an overflow. When it does, it shuts off the circulation pump and turns on the drain pump.
<i>Noise</i>	Some audible sounds are normal	Sound from soft food shredding action and detergent cup opening.
	Utensils are not secure in the baskets or something small has dropped into the basket	Ensure everything is secured in the dishwasher.
	Motor hums	Dishwasher has not been used regularly. If you do not use it often, remember to set it to fill and pump out every week, which will help keep the seal moist.
<i>Suds in the tub</i>	Improper detergent	Use only the special dishwasher detergent to avoid suds.  If this occur, open the dishwasher and let suds evaporate.  Add 1 gallon of cold water to the tub. Close and latch the dishwasher, then drain out the water by slowly turning the dial until a drain period is reached. Repeat if necessary.
	Spilled rinse agent	Always wipe up rinse agent spills immediately.
<i>Stained tub interior</i>	Detergent with coloring was used	Make sure that the detergent is the one without coloring.
<i>Dishes are not dried</i>	Rinse agent dispenser is empty	Make sure that the rinse agent dispense is filled.
<i>Dishes and flatware not clean</i>	Improper rack loading	Make sure that the action of the detergent dispenser and spray arms are not blocked by large dishware.
<i>Spots and filming on glasses and flatware</i>	Extremely hard water	To remove spots from glassware:
	Low inlet temperature Overloading the dishwasher Improper loading Old or damp powder detergent Empty rinse agent dispenser Incorrect dosage of detergent	<ul style="list-style-type: none"> <li>1 Take out all metal utensils out of the dishwasher.</li> <li>2 Do not add detergent.</li> <li>3 Choose the longest cycle.</li> <li>4 Start the dishwasher and allow it to run for about 18 to 22 minutes, then it will be in the main wash.</li> <li>5 Open the door to pour 2 cups of white vinegar into the bottom of the dishwasher.</li> <li>6 Close the door and let the dishwasher complete the cycle. If the vinegar does not work: Repeat as above, except use 1/4 cup (60 ml) of citric acid crystals instead of vinegar.</li> </ul>

## BEFORE CALLING FOR SERVICE . . . (continued)

Problem	Possible Causes	What To Do
 Glassware is cloudy	Combination of soft water and too much detergent	Use less detergent if you have soft water and select a shorter cycle to wash the glassware and to get them clean.
Yellow or brown film on inside surfaces	Tea or coffee stains	Using a solution of 1/2 cup of bleach and 3 cups warm water to remove the stains by hand. <b>▲ WARNING</b> You have to wait for 20 minutes after a cycle to let the heating elements cool down before cleaning interior; otherwise, you run the risk of being burnt if you contact the heating element.
	Iron deposits in water can cause an overall film	You have to call a water softener company for a special filter.
White film on inside surface	Hard water minerals	To clean the interior, use a damp sponge with dishwasher detergent and wear rubber gloves. Never use any other cleaner than dishwasher detergent for the risk of foaming or suds.
Detergent left in dispenser cups	Dishes block detergent cups	Re-load the dishes properly.
Steam	Normal phenomenon	There is some steam coming through the vent by the door latch during drying and water draining.
Black or gray marks on dishes	Aluminum utensils have rubbed against dishes	Use a mild abrasive cleaner to eliminate those marks.
Water standing in the bottom of the tub	This is normal	A small amount of clean water around the outlet on the tub bottom at the back of the tub keeps the water seal lubricated.
Water doesn't pump out of the tub	Drain is clogged	Make sure the kitchen sink is draining well. If the dishwasher drains into a disposer, run it clear.
Dishwasher leaks	Overfill dispenser or rinse aid spills	Be careful not to overfill the rinse aid dispenser. Spilled rinse aid could cause oversudsing and lead to overflowing. Wipe away any spills with a damp cloth.
	Dishwasher isn't level	Make sure the dishwasher is level.

## FAULT CODES

Codes	Meanings	Possible Causes
E1	Longer inlet time.	Faucet is not open.
E2	Longer draining time.	The installation position of the drain pipe is too high.
E3	Longer heating time, but not reaching required temperature	Malfunction of temperature sensor or of heating element.
E4	Overfilled.	Too much inlet water.
E5	Abnormal temperature	Short circuit or break of temperature sensor

# OVERFLOW CONDITIONS:

The dishwasher is designed to detect/monitor water overflow conditions. The overflow tube is located in the lower (well) section of the inner door liner. This tube must be kept free and clear of obstructions and debris. In the event of an overflow condition, the water level rises above the height of the overflow tube and is directed into the overflow container. (located at the lower right side of the dishwasher)

When the water level reaches a predetermined height, the float switch is activated closing power to the water inlet valve and automatically turns on the pump to evacuate the water inside the tub only. The accumulated water inside the float container must be discharged manually before the dishwasher can be re-started. To empty the float container, follow the instructions below.

## BUILT-IN DISHWASHER (MODEL):

- Remove the kick-plate by pulling forward.
- Disconnect the dishwasher from the electrical power supply.
- Disconnect the flexible (braided) hose from the water inlet valve.
- **IMPORTANT: Keep the dishwasher upright at all times.**
- The overflow container is located at the lower right side of the dishwasher. (See Fig. 1)
- Carefully slide out the dishwasher just enough to access the overflow container.
- Remove the rubber plug from the bottom of the float container. (See Fig. 2)
- Allow the water to drain into a cup/container.
- Replace the rubber plug, making sure it is firmly secured.
- Re-install the kick-plate.
- Carefully slide the dishwasher back into the cabinet.

The dishwasher is now ready to be restarted.

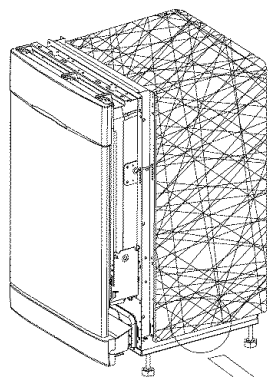


Fig. 1

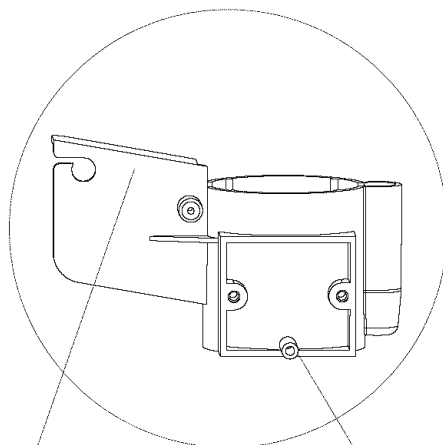


Fig. 2

**Float Container**

**Plug**

Danby

*Silhouette*

## BUILT-IN DISHWASHER LIMITED IN-HOME PRODUCT WARRANTY

This quality product is warranted to be free from manufacturer's defects in material and workmanship, provided that the unit is installed and operated in compliance with the installation and operating conditions intended by the manufacturer.

This warranty is available only to the person to whom the unit was originally sold by Danby Products or by an authorized distributor of Danby, and is non-transferable.

### TERMS OF WARRANTY

**First Two Years Warranty** During the first two years (2), from the original date of purchase, any electrical part(s) of this product found to be defective in materials or workmanship will be repaired or replaced, at warrantor's option, at no charge to the ORIGINAL purchaser.

**Third Year Limited Warranty** During the third year (3), from the original date of purchase any part(s) including the wash motor, drain pump, spray arms (excluding hoses/clamps) and dishracks found to be defective in materials or workmanship will be repaired or replaced, at warrantor's option, at no charge to the ORIGINAL purchaser.

**Ten Year Limited Warranty Stainless Steel Tub and Door Liner** During the third through tenth year, from the original date of purchase, any defect in material or workmanship to the stainless steel tub or stainless door liner (resulting in water leakage) will be repaired or replaced at warrantor's option. This warranty is limited to the cost of replacement components only.  
NOTE: The customer shall be responsible for any/all charges incurred as a result of (repair) labour cost and/or transportation (pick-up and delivery) charges associated with the repair and/or replacement of the stainless steel tub and/or stainless steel door liner.

Nothing within this warranty shall imply that Danby will be responsible or liable for any damage to any items placed in this appliance, whether due to any defect of the appliance, or its use, whether proper or improper.

### EXCLUSIONS

Save as herein provided, Danby, there are no other warranties, conditions, representations or guarantees, express or implied, made or intended by Danby or its authorized distributors and all other warranties, conditions, representations or guarantees, including any warranties, conditions, representations or guarantees under any Sale of Goods Act or like legislation or statute are hereby expressly excluded. Save as herein provided, Danby, shall not be responsible for any damages to persons or property, including the unit itself, howsoever caused or any consequential damages arising from the malfunction of the unit and by the purchase of the unit, the purchaser does hereby agree to indemnify and save harmless Danby from any claim for damages to persons or property caused by the unit.

### GENERAL PROVISIONS

No warranty or insurance herein contained or set out shall apply when damage or repair is caused by any of the following:

- 1) Improper Installation
- 2) Power Failure.
- 3) Damage in transit or when moving the appliance.
- 4) Improper power supply such as low voltage, defective house wiring or inadequate fuses.
- 5) Accident, alteration, abuse or misuse of the appliance such as inadequate air circulation in the room or abnormal operating conditions.
- 6) Use for commercial or industrial purposes.
- 7) Fire, water damage, theft, war, riot, hostility, acts of God such as hurricanes, floods etc.
- 8) Service calls resulting in customer education.

Proof of purchase date will be required for warranty claims; so, please retain bills of sale. In the event warranty service is required, present this document to our AUTHORIZED SERVICE AGENT.

Danby Products Limited  
PO Box 1778, 5070 Whitelaw Road,  
Guelph, Ontario, Canada N1H 6Z9  
Telephone: (519) 837-0920 FAX: (519) 837-0449

Danby Products Inc.  
PO Box 669, 101 Bentley Court,  
Findlay, Ohio, U.S.A. 45839-0669  
Telephone: (419) 425-8627 FAX: (419) 425-8629