

Danby® Designer

**Model • Modèle • Modelo
D1052W**

For service, contact
your nearest service depot or call:

1-800-26D-anby

to recommend a depot in
your area.

Pour obtenir le service, consultez
votre succursale régionale de service
ou téléphonez:

1-800-26D-anby

qui vous recommandera un
centre régional.

Para servicio, comuníquese con su
Departamento de Servicios más
cercano o llame al:

1-800-26D-anby

para que le recomienden un
Departamento de Servicios
en su zona.

PUSH BUTTON DEFROST REFRIGERATOR

The model number of your refrigerator is found on the serial plate located on the back, top left-hand corner of the refrigerator.

All repair parts available for purchase or special order when you visit your nearest service depot. To request service and/or the location of the service depot nearest you, call the toll free number listed to the left in Canada and the U.S.

When requesting service or ordering parts, always provide the following information:

- Product Type
- Model Number

RÉFRIGÉRATEUR AVEC DÉCONGELATION POUSSE-BOUTON

Le numéro de modèle de votre réfrigérateur se trouve sur la plaque d'identification qui se trouve sur le coin du haut gauche de l'arrière du réfrigérateur.

Toutes les pièces de rechange sont disponibles immédiatement ou peuvent être commandées de votre Centre de Service régional. Pour obtenir le service et/ou le Centre de Service le plus proche, téléphonez le numéro sans-frais indiqué à gauche pour le Canada et les États-Unis.

Ayez les informations suivantes à la portée de la main lors de la commande de pièces ou service:

- Genre de produit
- Numéro de modèle

REFRIGERADOR DESCONGELACIÓN DE MANDO DE BOTÓN

El número del modelo de su refrigerador se encuentra en la placa de serie ubicada en el ángulo posterior superior izquierdo del refrigerador.

Todas las piezas de repuesto se encuentran disponibles la para compra o por pedido especial cuando Ud. visite su departamento de servicio más cercano. Para solicitar servicio y/o la ubicación del departamento de servicio más cercano, llame al número de marcando gratis que aparece a la izquierda en el Canadá y en los E.U.

Cuando solicite servicio o encargue repuestos, siempre proporcione la siguiente información:

- Tipo de producto
- Número de modelo

Danby Products Limited, PO Box 1778, Ontario, Canada N1H 6Z9
Danby Products Inc., PO Box 669, Findlay, Ohio, USA 45839-0669

Danby® *Designer*

OWNER'S MANUAL

**MANUEL
D'UTILISATION**

**MANUAL DEL
PROPIETARIO**

**Model • Modèle • Modelo
D1052W**

CAUTION:

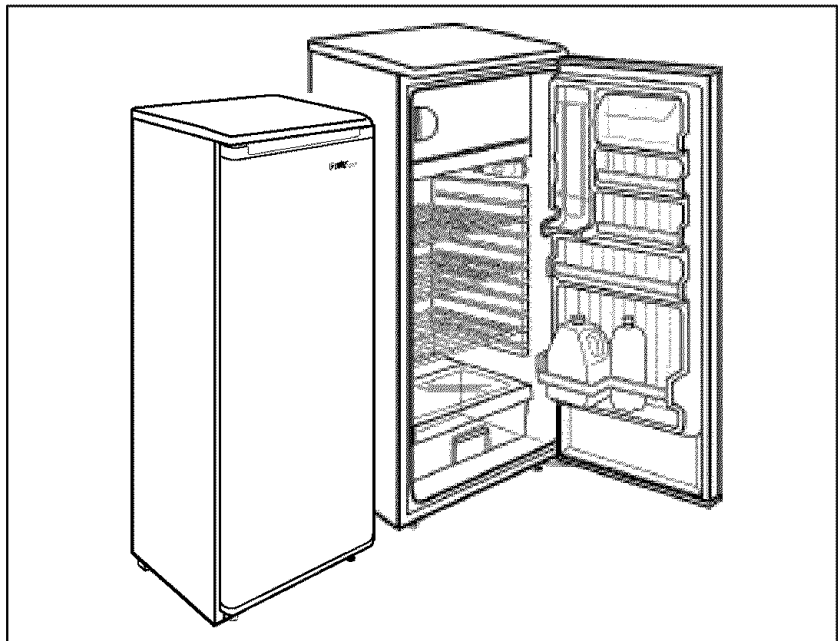
Read and follow all safety rules and operating instructions before first use of this product.

PRECAUTION:

Veuillez lire attentivement les consignes de sécurité et les instructions d'utilisation avant l'utilisation initiale de ce produit.

PRECAUCION:

Lea y observe todas las reglas de seguridad y las instrucciones de operación antes de usar este producto por primera vez.



PUSH BUTTON DEFROST REFRIGERATOR

Owner's Manual 1-6

- Safety Instructions
- Installation
- Operation
- Care and Maintenance
- Trouble Shooting

RÉFRIGÉRATEUR AVEC DÉCONGELATION POUSSE-BOUTON

Manuel d'utilisation 7-12

- Consignes de sécurité
- Instructions
- Fonctionnement
- Soins et entretien
- En cas de problème

REFRIGERADOR DESCONGELACIÓN DE MANDO DE BOTÓN

Manual del propietario 13-18

- Instrucciones de seguridad
- Instalación
- Operación
- Cuidado y Mantenimiento
- Solución Sugerida



Danby® LIMITED PRODUCT WARRANTY

This quality product is warranted to be free from manufacturer's defects in material and workmanship, provided that the unit is used under the normal operating conditions intended by the manufacturer.

This warranty is available only to the person to whom the unit was originally sold by Danby or by an authorized distributor of Danby, and is non-transferable.

TERMS OF WARRANTY

Plastic parts (ie. evaporator door, door rails, covers and trays are warranted for thirty (30) days only from purchase date, with no extensions provided.

First Year During the first year (1), any electrical parts of this product found to be defective, including any sealed system units, will be repaired or replaced, at warrantor's option, at no charge to the ORIGINAL purchaser. Consumable parts (ie. light bulbs) are not warranted or guaranteed for any length of time.

Second Through Fifth Year During the next four years (4) any part of the sealed system found to be defective (consisting of compressor, condenser, evaporator, dryer and all related tubing) will be replaced without charge. The purchaser shall pay for all labor and return freight during this four year (4) period for repair or replacement of any sealed system components. Any unit being diagnosed as non-functional due to sealed system failure and warranting an exchange during the existing four (4) years will be subject to an appropriate depreciation or user fee, including any and all freight charges being levied against the consumer.

To Obtain Service Danby reserves the right to limit boundaries of "In Home Service" due to the proximity of an Authorized Service Depot. Any appliance requiring service outside the Limited Boundaries of "In Home Service", it will be the customer's responsibility to transport the appliance to the closest Authorized Service Depot at their own expense. Contact your dealer from whom your unit was purchased, or contact your nearest authorized Danby service depot, where service must be performed by a qualified service technician. If service is performed on the units by anyone other than an authorized service depot, or the unit is used for commercial application, all obligations of Danby under this warranty shall be at an end.

The following clause refers to single and double door refrigerators, supplied with or without a separate freezer section. Nothing within this warranty shall imply that Danby will be responsible or liable for any spoilage or damage to food or other contents of this appliance, whether due to any defect of the appliance, or its use, whether proper or improper.

EXCLUSIONS

Save as herein provided, Danby Products Limited (Canada) or Danby Products Inc. (U.S.A.), there are no other warranties, conditions, representations or guarantees, express or implied, made or intended by Danby Products Limited or its authorized distributors and all other warranties, conditions, representations or guarantees, including any warranties, conditions, representations or guarantees under any Sale of Goods Act or like legislation or statute is hereby expressly excluded. Save as herein provided, Danby Products Limited (Canada) or Danby Products Inc. (U.S.A), shall not be responsible for any damages to persons or property, including the unit itself, howsoever caused or any consequential damages arising from the malfunction of the unit and by the purchase of the unit, the purchaser does hereby agree to indemnify and save harmless Danby Products Limited from any claim for damages to persons or property caused by the unit.

GENERAL PROVISIONS

No warranty or insurance herein contained or set out shall apply when damage or repair is caused by any of the following:

- 1) Power Failure.
- 2) Damage in transit or when moving the appliance.
- 3) Improper power supply such as low voltage, defective house wiring or inadequate fuses.
- 4) Accident, alteration, abuse or misuse of the appliance such as inadequate air circulation in the room or abnormal operating conditions, (extremely high or low room temperature).
- 5) Use for commercial or industrial purposes.
- 6) Fire, water damage, theft, war, riot, hostility, acts of God such as hurricanes, floods etc.
- 7) Service calls resulting in customer education.

Proof of purchase date will be required for warranty claims; so, please retain bills of sale. In the event warranty service is required, present this document to our AUTHORIZED SERVICE DEPOT.

| | Warranty Service | | | Warranty Service | |
|-------------------------|----------------------------|-----------------------|----------------------|-------------------------|-----------------------|
| | With-In Canada | With-In United States | | With-In Canada | With-In United States |
| Air Conditioners | In Home | In Home | Dehumidifiers | Carry In | Carry In |
| Refrigerators | Compacts In Home | In Home | Freezers | Chest In Home | In Home |
| | Single Door In Home | In Home | | Uprights In Home | In Home |
| | Double Door In Home | In Home | | | |

Danby Products Limited
 PO Box 1778, 5070 Whitelaw Road,
 Guelph, Ontario, Canada N1H 6Z9
 Telephone: (519) 837-0920 FAX: (519) 837-0449

6/02

Danby Products Inc.
 PO Box 669, 101 Bentley Court,
 Findlay, Ohio, U.S.A. 45839-0669
 Telephone: (419) 425-8627 FAX: (419) 425-8629

Safety Instructions

ATTENTION GROUNDING INSTRUCTIONS

This appliance must be grounded. In the event of an electrical short circuit, grounding reduces the risk of electrical shock by providing an escape wire for the electrical current. This appliance is equipped with a cord having a grounding wire with a grounding plug. The plug must be plugged into an outlet that is properly installed and grounded.

WARNING - Improper use of the grounding plug can result in a risk of electric shock. Consult a qualified electrician or serviceman if the grounding instructions are not completely understood, or if doubt exists as to whether the appliance is properly grounded.

DO NOT USE AN EXTENSION CORD

Use an exclusive wall outlet. Do not connect your refrigerator to extension cords or together with any other appliance in the same wall outlet. Do not splice the cord.

IMPORTANT WARNING

An empty refrigerator is a very dangerous attraction to children. Remove either the gasket, latches, lids or doors from unused appliances, or take some other action that will guarantee it harmless.

DON'T WAIT! DO IT NOW!

Installation

Remove exterior and interior packings, wipe the outside thoroughly with a soft dry cloth and the inside with a wet, lukewarm cloth. Avoid placing the cabinet in a narrow recess or near any heat source, direct sunlight, or moisture. Let air circulate freely around the cabinet. Keep the rear of the refrigerator 5 inches away from the wall.

Location

1. Select a place with a strong, level floor.
2. Allow 5 inches of space between the back of the refrigerator and any adjacent wall.
3. Avoid direct sunlight and heat. Direct sunlight may affect the acrylic coating. Heat sources nearby will cause higher electricity consumption.
4. Avoid very moist places. Too much moisture in the air will cause frost to form very quickly on the evaporator, and your refrigerator will have to be defrosted more frequently.

Operation

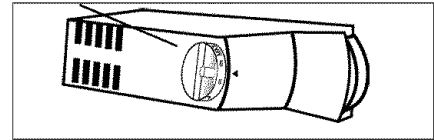
To avoid vibration, the cabinet must be set level. This is accomplished by adjusting the (2) front leveling legs located under the refrigerator cabinet. To start the refrigerator, turn the temperature control (OFF-MAX) to the position corresponding to the desired cooling. (Fig. A)

OFF = No Cooling 4 = Medium Cooling
1 = Minimum Cooling MAX = Maximum Cooling

The refrigerator temperature will vary depending on the quantity of the food stored and on the frequency with which the door is opened.

Fig. A

Push Button Defrost



Defrosting

This refrigerator is equipped with a "Push Button" (semi-automatic) defrost thermostat system which means no need to unplug the refrigerator and no need to change the temperature setting before initiating the defrost cycle.

Before starting the defrost cycle make sure:

1. the defrost tray is properly positioned directly below the freezer compartment.
2. the defrost tray baffle located inside the defrost tray (at rear) is in the open position. (fully extended)
This helps to direct defrost water running off the back of the freezer compartment into the defrost tray.
3. the drain cap is securely attached to the defrost tray drain. (underside of the tray)

To activate the defrost cycle, simply push (in) the "red" defrost button located in the center of the control knob/dial. (there is no need to turn the control dial/knob to 0 = off position) The defrost cycle starts immediately when the red defrost button is activated (pushed-in) The defrost water accumulates inside the defrost tray. When defrosting is complete, the "red" defrost button will release (pop-out) automatically and resume normal operating (cooling) conditions.

To dispose of the accumulated water from the defrost tray, position the clear plastic storage bin (upper door shelf) directly under the defrost tray drain opening and unscrew the drain cap allowing the water to flow into the container. Replace the drain cap when the tray is completely empty. Dispose of the defrost water.

NOTE: If the red push button (defrost cycle) is "accidentally" activated, it will not be possible to "manually" pull-out the push button to stop the defrost cycle. You must either let the defrost cycle run it's course or:

1. Apply (hold) a dishcloth soaked in hot water against the thermostat capillary line and bracket, located on the underside of the freezer compartment. The heat transfer from the dishcloth will cause a temperature rise on the thermostat capillary, (sensing line) causing the internal contacts of the thermostat to close and resume normal operating conditions. It may take several minutes and/or repeat applications before the defrost button will release.

Defrosting of your refrigerator should take place whenever the ice build-up (accumulation) inside the freezer compartment reaches a thickness of 1/4" (6mm). Defrosting may take a few hours, depending on the amount of accumulated ice and ambient indoor temperature. To speed-up the defrosting process, remove all frozen foods from the freezer section. Leaving the door partially ajar for a short period of time will also accelerate the process.

IMPORTANT: You must remember to close the refrigerator door before the defrost cycle terminates and normal operating conditions resume automatically.

IMPORTANT NOTICE: Never use sharp or pointed instruments to defrost/remove ice from the evaporator/freezer compartment. The evaporator/freezer compartment contains refrigerated gas lines and if punched/pierced, will render the refrigerator inoperable and "void" the manufacturers warranty.

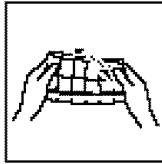
DO NOT ALLOW THE REFRIGERATOR TO CONTINUE OPERATION IF THE EVAPORATOR/FREEZER COMPARTMENT IS ACCIDENTALLY PIERCED. UNPLUG THE POWER CORD AND CALL FOR SERVICE IMMEDIATELY.

NOTE: Always wait 3 ~ 5 minutes before attempting to restart the refrigerator if operation has been interrupted.

Ice Cube Tray

Ice cube tray is flexible. Twist tray to remove ice cubes. If the ice cube tray is frozen hard to the evaporator surface, run a little water over the tray. Never use a knife or other metal instrument to remove ice cube tray because this may damage the evaporator. (Fig. C)

Fig. B



Care and Maintenance

Cleaning

To clean the inside, use a soft cloth and a solution of a tablespoon of baking soda to one quart of water, or a mild soap suds solution, or some mild detergent. Wash ice cube tray, drip tray, and glide out shelves in a mild detergent solution, then dry and wipe with a soft cloth. Clean the outside with a soft damp cloth and some mild detergent or appliance cleaner.

Vacation Time

For short vacation periods, leave the control knobs at their usual settings. During longer absences;

- (a) remove all foods,
- (b) disconnect from electrical outlet,
- (c) clean the refrigerator thoroughly, including defrost pan,
- (d) leave door open to avoid possible formations of condensate, mold or odors.

Power Failure

Most power failures are corrected within an hour or two and will not affect your refrigerator temperatures. However, you should minimize the number of door openings while the power is off. During power failures of longer duration, take steps to protect your food by placing dry ice on top of packages.

If You Move

Remove or securely fasten down all loose items inside the refrigerator. To avoid damaging the leveling legs, turn them all the way into the base.

Some Important Rules for the Correct Use of the Refrigerator

- Never place hot foods in the refrigerator.
- Beverages should be stored in sealed containers.
- Foods to be stored for a long time should be wrapped in cellophane or polyethylene, or kept in glass containers. Never place spoiled foods in the cabinet.
- Don't overload the cabinet.
- Don't open the door unless necessary.

- Should the refrigerator be stored without use for long periods it is suggested, after a careful cleaning, to leave the door ajar to allow the air to circulate inside the cabinet in order to avoid possible formations of condensate, mold or odors.

Food Storage Suggestions

Fresh Food Compartment

- Never cover food compartment shelves with aluminum foil or any other shelf covering material which may prevent air circulation.
- Always remove porous store wrapping paper from meats, poultry and fish. Meats should be wrapped individually and placed in a dish for storage. Wrap fish and poultry in foil or heavy waxed paper. Most fish should be used the same day of purchase. Packaged meats such as ham, bacon, dried beef, or frankfurter, store best in their original packages.
- Allow warm foods to cool to room temperature before placing them in the refrigerator.
- Always cover open dishes of food, especially leftovers. Use leftovers within 2 or 3 days.

Vegetable Crisper

The vegetable crisper is located at the bottom of the refrigerator compartment and is covered to retain moisture. The crisper compartment will enable you to store fruits and vegetables which would otherwise dry out rapidly. The humidity level inside the crisper can be controlled by adjusting the sliding damper control located at the front of the crisper drawer.

Technical and Structural Operation Features

Hermetically sealed cooling unit with midget 2 pole motor. Rustproof anodized "Roll-Bond" aluminum freezer (or Pipe on Sheet aluminum freezer) of high thermal conductivity. Adjustable thermostat for automatic temperature control. Cabinet bondrized and acylic-enameled according to the most modern electrostatic spraying techniques. High-density polyurethane thermal insulation. Magnetic door closure gasket.

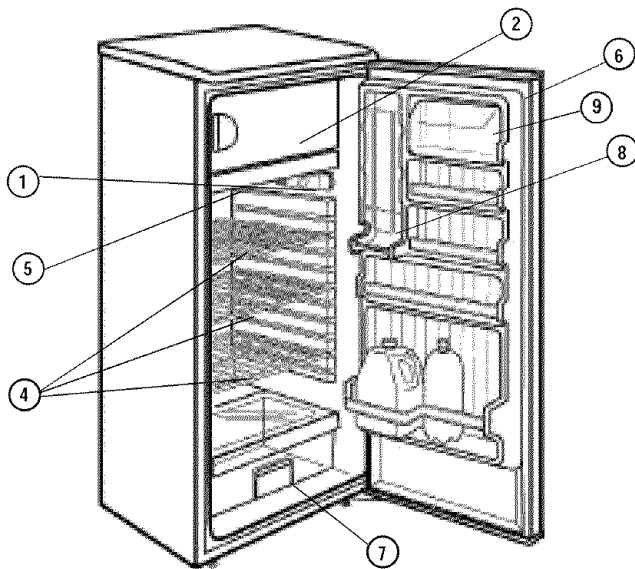
LIGHT BULB REPLACEMENT: This refrigerator uses a standard 40 watt appliance light bulb which can be purchased at most local hardware and grocery stores. To replace the light bulb, (no tools required) simply unscrew light bulb and install replacement.

Care and Maintenance

Frequently, a problem is minor and a service call may not be necessary, use this troubleshooting guide for a possible solution. If the unit continues to operate improperly, call an authorized service depot or **Danby's Toll Free Number** for assistance.

| Difficulty | Possible Cause | Suggested Solution |
|--------------------------------------|---|--|
| Does not work | No power to unit. Power cord is unplugged. Wrong voltage is being used. | Check connection of power cord to power source. Plug in unit. Use proper voltage. |
| Cools too frequently | Temperature control too high. Door is not closed. Hot food inserted. Door opened too long or too often. Close proximity to heat source or direct sunlight. | Check setting and adjust as needed. Close door securely. Be sure that food is cool before inserting. DO NOT keep door open for too long. MINIMIZE door openings. DO NOT place unit close to heat sources or direct sunlight. |
| Internal temperature too cold | Temperature control too high. | Check setting and adjust as needed. |
| Internal temperature not cold enough | No power to unit. Power cord is unplugged. Temperature control too low. Door is not closed. Hot food inserted. Door opened too long or too often. Air flow obstruction. Wrong voltage is being used. Close proximity to heat source or direct sunlight. | Check connection of power cord to power source. Plug in unit. Check setting and adjust as needed. Close door securely. Be sure that food is cool before inserting. DO NOT keep door open for too long. MINIMIZE door openings. Allow room for air to circulate around unit. Use proper voltage. DO NOT place unit close to heat sources or direct sunlight. |
| Freezer is not cold enough | Temperature control too low. Door not closed. Hot food is inserted. Door opened too long or too often. Wrong voltage is being used. | Check setting and adjust as needed. Close door securely. Be sure that food is cool before inserting. DO NOT keep door open for too long. Use proper voltage. |
| Light will not work | No power to unit. Power cord is unplugged. Bulb is loose, needs replacing or the door switch is stuck. | Check connection of power cord to power source. Plug in unit. Tighten or replace the bulb. Check the switch for obstructions and clean. |

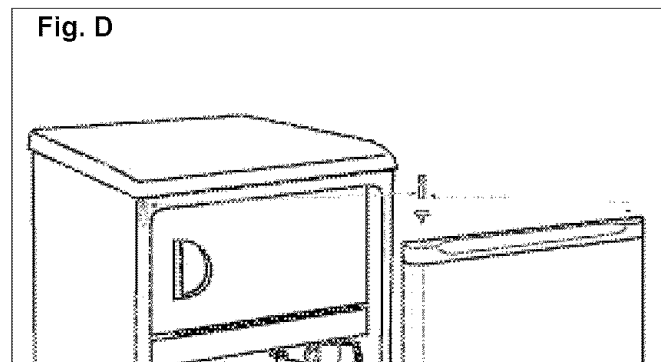
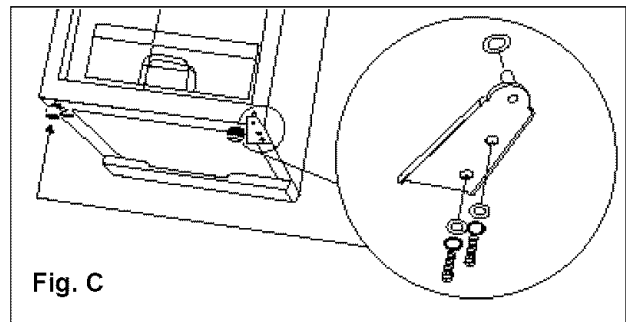
1. THERMOSTAT DIAL: For controlling the temperature inside the refrigerator/freezer. Turns the motor on as soon as the temperature rises above the desired level.
2. FREEZING COMPARTMENT WITH REVERSIBLE FREEZER DOOR: Separate freezer section holds ice cube tray and frozen foods
3. ICE CUBE TRAY: Ice cubes are easily removed from the tray. (Not shown)
4. PLASTIC COATED SHELVES: 3 full width shelves, 2 half shelves are odor resistant, rustproof and removable for easy cleaning.
5. DRIP TRAY: Catches the water that drips off the evaporator when defrosting.
6. MAGNETIC GASKET: Tight fitting door seal keeps all the cooling power locked inside. No hooks or latches.
7. CRISPER WITH PLEXI-GLASS SHELF: Easy interior viewing.
8. CANSTOR DOOR LINER: Holds 355 mL cans of pop, juice, or beer.
9. All Purpose Storage Container: for eggs, butter cheese etc. can also be used to collect defrost water during defrost cycle.



Door Reversal Instructions

CAUTION: To avoid personal injury to yourself and/or property, we recommend someone assist you during the door reversal process.

1. To access the lower hinge assembly, tilt back the refrigerator cabinet or lay the refrigerator on its back. *(Fig. C)*
2. Remove both leveling legs located at the front of the cabinet.
3. Remove the screws holding the lower hinge assembly to the cabinet.
4. Remove the main door assembly from the refrigerator cabinet. *(open door and pull down)*
5. Remove *(unscrew)* the main door top hinge pin. *(Fig. D)*
6. Re-install the main door top hinge pin on the opposite side of the cabinet.
7. Remove the door plug and door bushing located on the top of the main door assembly.
8. Interchange positions. *(ie. door plug right side, door bushing left side.)*
9. Re-install main door assembly on cabinet.
10. Remove door bushing *(bottom door)* and install on opposite side.
11. Re-install the lower hinge assembly on the opposite side.
12. Make sure the door assembly is properly aligned on the cabinet, before tightening lower hinge screws.
13. Re-install both leveling legs.
The process is now complete.



Freezer Door Reversal Instructions:

The freezer door assembly on this refrigerator is factory installed to open with a right hand door swing. (same swing as the refrigerator main door) It is possible to change the door swing from a right hand swing to left hand swing by following the below procedures.

1. Open the freezer door
2. Detach the freezer door spring from the bracket located on the right side edge of the freezer door.
3. Using a flat head screwdriver, place the head of the screwdriver as shown in illustration # 1.
4. While holding the freezer door, push down on the handle of the screwdriver until the top freezer door pin clears the hinge hole.
5. While holding the freezer door, carefully tilt the door towards yourself until the hinge pin clears the frame.
6. Lift the freezer upward until the bottom freezer door hinge pin clears the bottom hinge hole.
7. Turn the freezer door upside down.
8. Reverse the freezer door bushings. NOTE: The rubber bushing must be positioned (placed) at the bottom of the freezer door. The solid bushing on the top of the freezer door.
9. Remove (lift) the freezer door spring from the frame as shown in illustration # 2.
10. Reinstall the freezer door spring on the left side of the frame.
Place the spring in the bottom hole first.

CAUTION: Before re-installing the freezer door, remember to hold the freezer door at an angle (approx. 60 degree) when inserting the hinge pin into the hinge hole to avoid breakage of the pin.

11. Insert the bottom hinge pin first into the hinge hole on the left side of the frame.
12. While pushing down the bottom hinge, (rubber bushing will compress), carefully guide the top freezer door hinge pin into the top hinge hole.
13. Open the freezer door and attach the door spring to the bracket located on the left side edge of the freezer door.

Illustration # 1

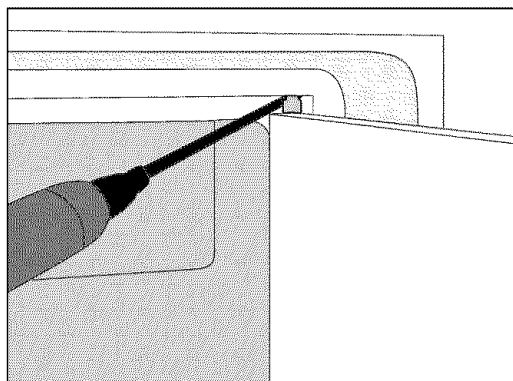


Illustration # 2

