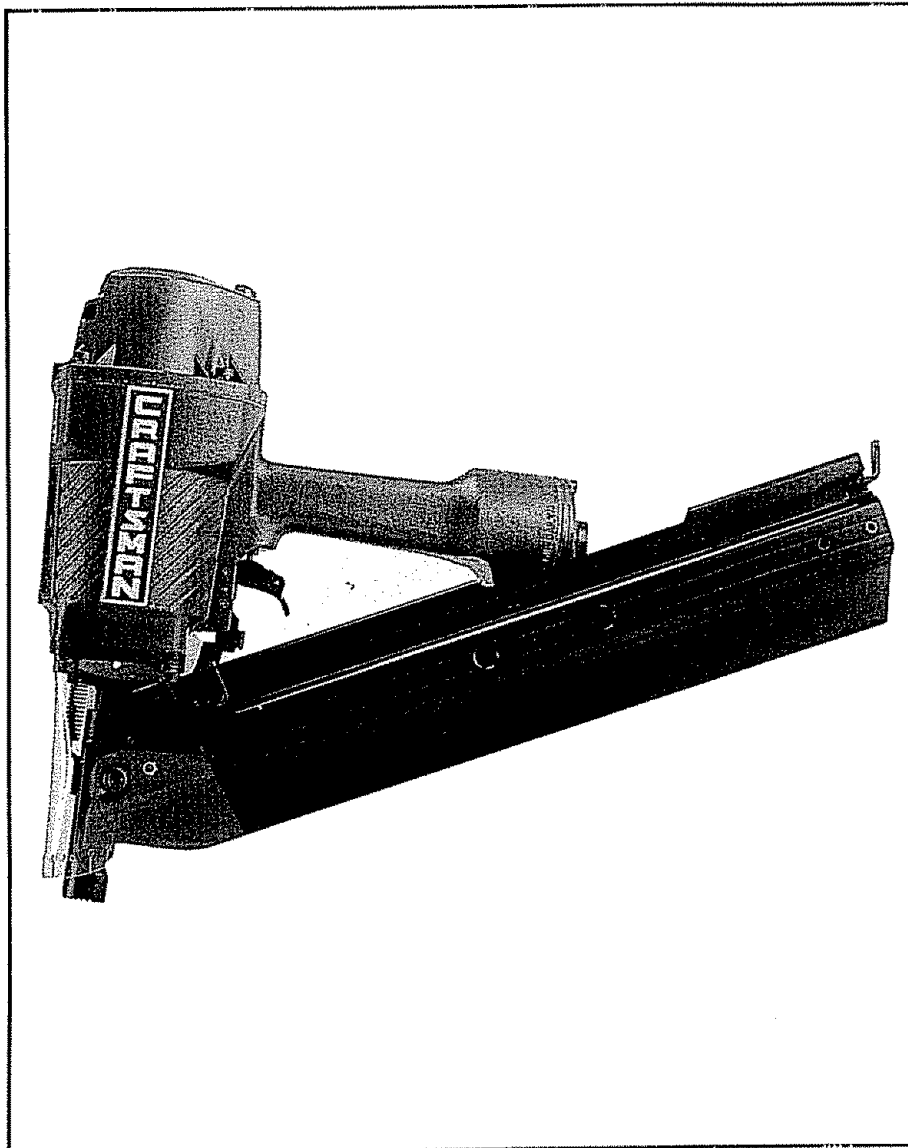


SAVE THIS MANUAL
FOR
FUTURE REFERENCE

SEARS

OWNER'S
MANUAL

MODEL NO.
351.183200



SEARS/CRAFTSMAN

Framing Nailer

- safety instructions
- operating instructions
- replacement parts

CAUTION:

READ ALL
INSTRUCTIONS
CAREFULLY!

DESCRIPTION

The Sears Framing Nailer drives nails of 0.113 to 0.131" diameter from 2 to 3 1/2" long. Magazine is angled at 27 1/2° for nailing in tight spots such as when toenailing. High strength, aluminum components are lightweight and durable. Contact safety disables nailer until nosepiece is in contact with workpiece. Hardened, serrated contact tip grips wood for fast, easy nailing. Large capacity, top load magazine makes it easy to load up 105 stick nails at a time. Nailer drives straight, screw, and ring shank nails. The Sears Angle Framing Nailer is excellent for truss making, framing, sheathing, sub-flooring and decking.

SPECIFICATIONS

Capacity	75 to 105 nails
Nail Size	0.113 to 0.131"
Nail Lengths	2 to 3 1/2"
Operating Pressure	75 to 100 PSIG
Air Inlet	1/4" F.N.P.T.
Length	18 3/8"
Height	13 3/4"
Width	5 1/8"
Weight	8.3 lbs.

NAILS

918351	8 penny, .120" diameter x 2 1/2" long
918352	10 penny, .120" diameter x 3" long
918353	16 penny, .131" diameter x 3 1/2" long

SAFETY INSTRUCTIONS

Air tool operators and all others in work area should always wear safety goggles (must comply with ANSI Z87.1) to prevent eye injury from fasteners and flying debris when loading, operating or unloading this tool. Never exceed operating pressure of 100 PSIG (7.1 kg/cm³).

Always keep hands and body away from the fastener discharge area when air supply is connected to tool.

Always disconnect tool from air supply when servicing or adjusting tool and when tool is not in use.

Do not operate tool when nose is not in contact with work.

Do not operate tool if contact trip mechanism is not functioning properly.

Never load the tool until you are ready to use it.

Never depress tool trigger when loading.

Always load tool with nose pointing away from you and others.

Never point the tool at yourself or others.

Never carry tool with trigger depressed.

Do not use oxygen, combustible gases or high pressure compressed gas as the air supply for the tool.

Always use tool at safe distance from other people in work area.

Do not attempt to discharge fastener into hard or brittle materials such as concrete, steel or tile.

Do not connect female quick-disconnect coupling to tool side of air line.

Connect male free-flow nipple to tool side of air line so that tool is depressurized when disconnected from hose.

Do not use a hose swivel in air supply line.

Use Sears recommended fasteners only.

OPERATING INSTRUCTIONS

AIR SUPPLY LINE

Refer to Figure 1.

The Sears Framing Nailer operates on compressed air at pressures from 75 to 100 PSIG.

Never exceed maximum pressure.

The minimum air requirements for nailer: Average working SCFM, 4.0 at 90 PSI with a 3/8" air hose and 15 gallon tank.

WARNING: KEEP HANDS AND BODY AWAY FROM DISCHARGE AREA OF NAILER WHEN CONNECTING AIR SUPPLY. ALWAYS DISCONNECT TOOL FROM AIR SUPPLY WHEN SERVICING, ADJUSTING AND WHEN TOOL IS NOT IN USE.

Clean dry air is essential to operation of Sears nailer.

Air operated tools require clean, dry, lubricated compressed air to ensure top performance, low maintenance and long life.

Dirt and abrasive materials present in all air lines will damage tool O-rings, valves and cylinders.

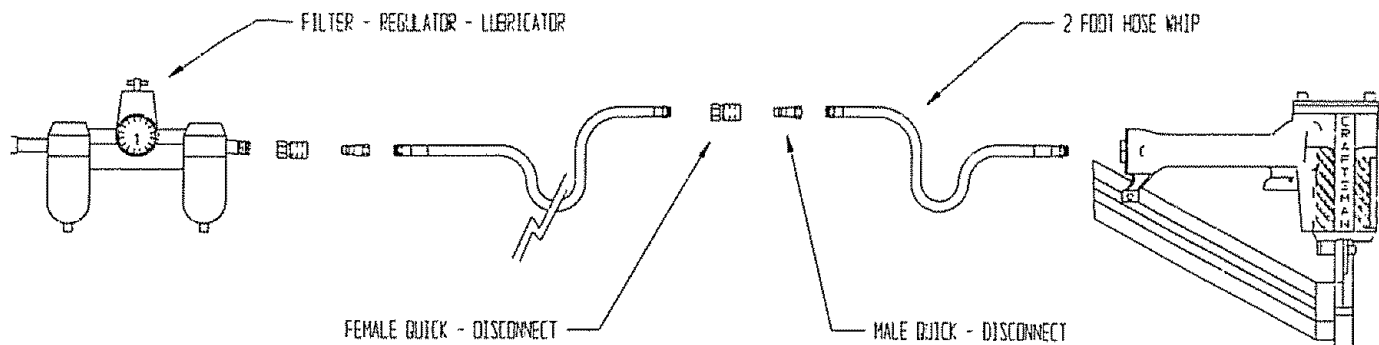


Figure 1 - Air Supply Line

OPERATING INSTRUCTIONS (Continued)

AIR SUPPLY LINE (Continued)

Moisture will reduce tool performance and life if not removed from compressed air.

A filter-regulator-lubricator system is required and should be located as close to tool as possible (see Figure 1). A distance of less than 15 feet is recommended.

Keep air filter clean. A dirty filter will reduce air pressure to nailer causing a reduction in power and efficiency.

The air supply system must be able to provide air pressure of 75 to 100 pounds per square inch at the tool.

The lubricator should be filled with a non-detergent air tool oil.

All hoses and pipes in the air supply system must be clean and free of all moisture and foreign particles.

Never connect a female quick-disconnect coupling to tool side of air system. A male free-flow coupling should be connected to the tool side of air system.

The female coupling provides a seal, preventing loss of compressed air from compressor tank when disconnected from male coupling. If connected to tool side of air supply, the female coupling could seal a compressed air charge in the nailer which could discharge if the tool trigger is actuated.

The air pressure should be properly regulated.

Different workpiece materials and different nail lengths will require different operating pressure.

Use only as much air pressure as required. Using more air pressure than needed will waste compressed air and cause unnecessary wear to nailer.

Be sure all connections in air supply system are sealed to prevent air loss.

LOADING

Refer to Figures 2 and 5.

NOTE: For best results use Sears nails only.

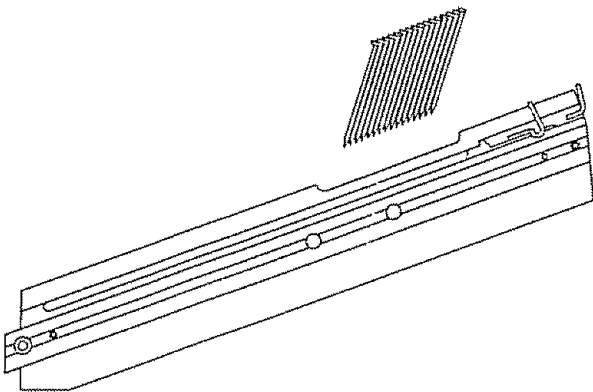


Figure 2 - Loading Framing Nails

WARNING: DISCONNECT TOOL FROM AIR SUPPLY. ALWAYS LOAD WITH NOSE OF TOOL POINTING AWAY FROM YOU AND OTHERS. ALWAYS WEAR SAFETY GOGGLES THAT COMPLY WITH ANSI Z87.1.

Slide pusher handle (Ref. No. 59) towards rear of tool until it locks into position.

Insert nails into opening at top of magazine.

Hold pusher handle firmly and release by depressing latch (Ref. No. 55). Allow pusher to gently slide forward against nails.

NAILING OPERATION

WARNING: NEVER OPERATE TOOL UNLESS CONTACT TRIP IS IN CONTACT WITH WORKPIECE. DO NOT OPERATE TOOL WITHOUT NAILS OR DAMAGE TO TOOL MAY RESULT. NEVER FIRE NAILS INTO THE AIR BECAUSE NAILS MAY INJURE OPERATOR OR OTHERS AND DAMAGE TO TOOL MAY RESULT.

The Sears Framing Nailer is equipped with a contact trip safety mechanism that disables nailer unless contact trip is pushed against work. Hold tool handle firmly and place nose of tool on location where nail is to be applied. Pull trigger to drive nail into workpiece.

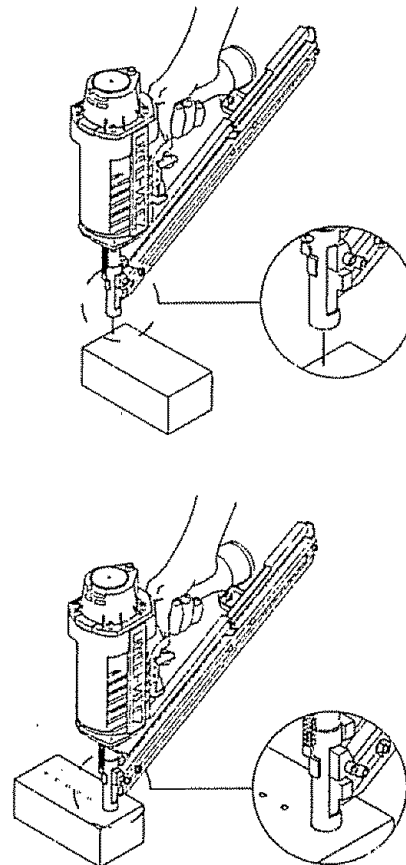


Figure 3 - Contact Trip Operation

OPERATING INSTRUCTIONS (Continued)

OPERATING PRESSURE

Use only enough air pressure to perform the nailing operation. Air pressure in excess of that which is required will make the nailing operation inefficient and may cause premature wear or damage to the tool.

Determine minimum air pressure required by driving some test nails into the workpiece. Set air pressure so that test nail heads are driven down flush with the work surface. Nails driven too deep may damage workpiece.

MAINTENANCE

Inspect contact trip safety mechanism daily for proper operation.

WARNING: DO NOT OPERATE NAILER IF SAFETY MECHANISM IS NOT OPERATING PROPERLY.

Perform the following procedures to test safety mechanism:

1. Leave trigger untouched while pushing contact trip into workpiece. Nailer must not fire.
2. Pull nailer trigger while contact trip is clear of work and pointed away from operator and others. Nailer must not fire.
3. Depress and hold trigger. Push contact against work where nail is needed. The nailer should drive only one nail each time the contact trip is pushed against workpiece.

If contact trip does not operate properly, repair immediately through Sears Service Center.

Replace any damaged or missing parts. Use the parts list to order parts.

Lubricate tool each day the tool is used with quality air tool oil. If no air line lubricator is used, pour five to six drops of oil into inlet (Key No. 22, Figure 5) of nailer.

Keep the magazine and nose of the nailer clean and free of any dirt, lint or abrasive particles.

The tip of the ram (Key No. 11, Figure 5) can become dented or rounded over time. Square off the tip of the ram with a clean, fine hand file to extend the life of the ram and nailer. Nail firing will be more consistent if the ram tip is kept clean and square.

TROUBLESHOOTING

WARNING: DISCONNECT TOOL FROM AIR SUPPLY BEFORE ATTEMPTING REPAIR OR ADJUSTMENT.

Note: Be sure tool is oiled properly. Clean and oil all O-rings during reassembly.

If tool loses power or operates inconsistently, put five or six drops of air tool oil into inlet cap (Key No. 22).

If tool continues to operate improperly, the piston and cylinder valve O-rings should be lubricated with silicone grease. Remove cap, cylinder valve and piston (Key Nos. 4, 9 and 11).

Check O-rings and replace if worn, stretched or damaged. Clean all O-rings and O-ring grooves with clean, dry cloth. Coat all O-rings and O-ring grooves with air nailer grease or silicone grease. Be careful not to pinch or damage O-rings during assembly. Assemble in reverse order of disassembly.

If tool fires but nail is not discharged from magazine, check piston O-ring (Key No. 10). Also, check all O-rings in trigger valve assembly (Key Nos. 35 - 45).

If tool leaks air out of nose, check cylinder O-ring (Key No. 13) and spacer O-ring (Key No. 17).

If tool leaks air out of exhaust port, check cylinder valve O-rings (Key Nos. 7 and 8).

FULL ONE YEAR WARRANTY ON SEARS/CRAFTSMAN FRAMING NAILER

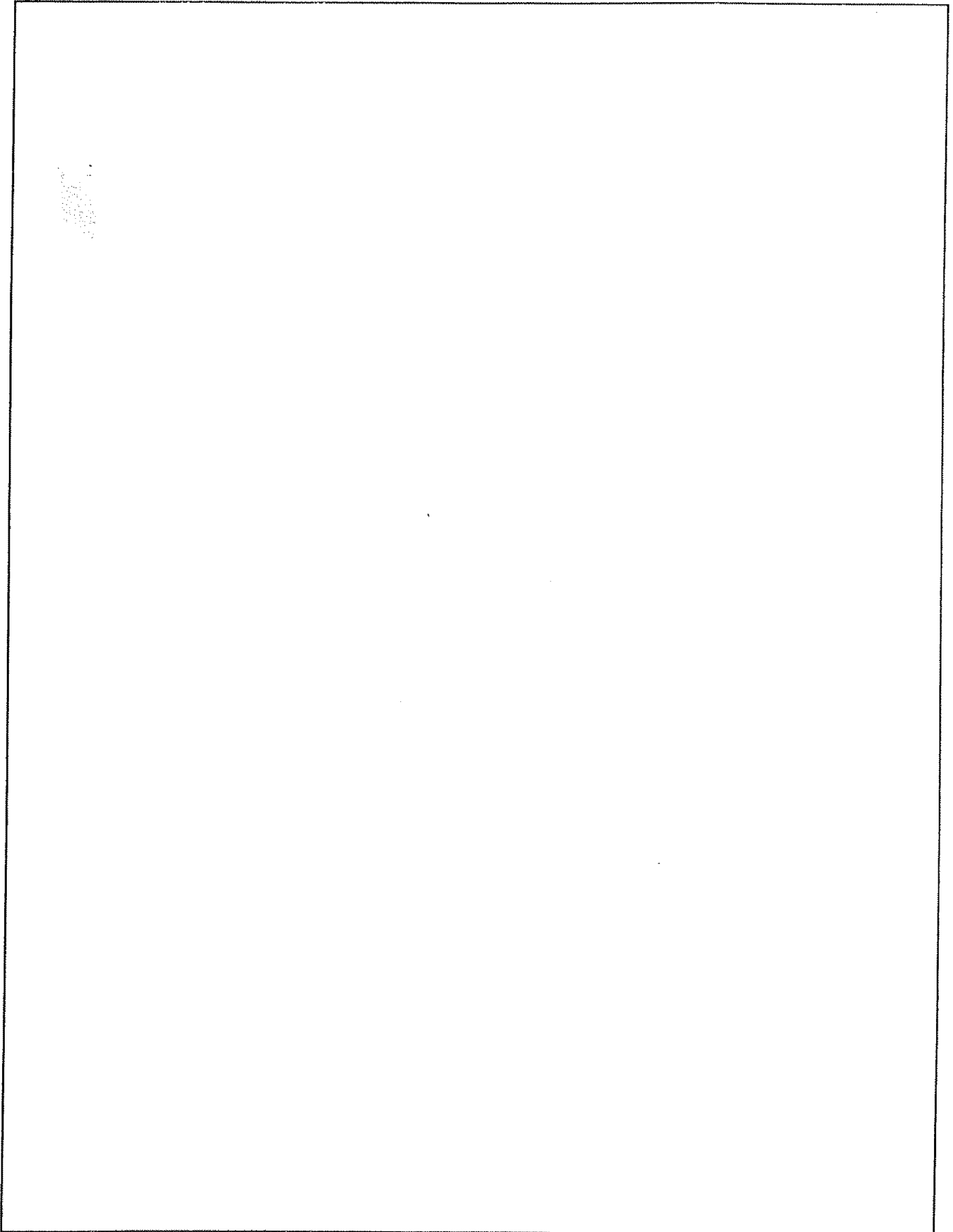
If within one full year from the date of purchase, this Sears Craftsman Framing Nailer fails due to a defect in material or workmanship, Sears will repair it, free of charge.

WARRANTY SERVICE IS AVAILABLE BY SIMPLY RETURNING THE NAILER TO THE NEAREST SEARS STORE OR SERVICE CENTER THROUGHOUT THE UNITED STATES.

This warranty gives you specific legal rights, and you may have other rights which vary from state to state.

Sears, Roebuck and Co., Dept. 817 WA, Hoffman Estates, IL 60179

NOTES



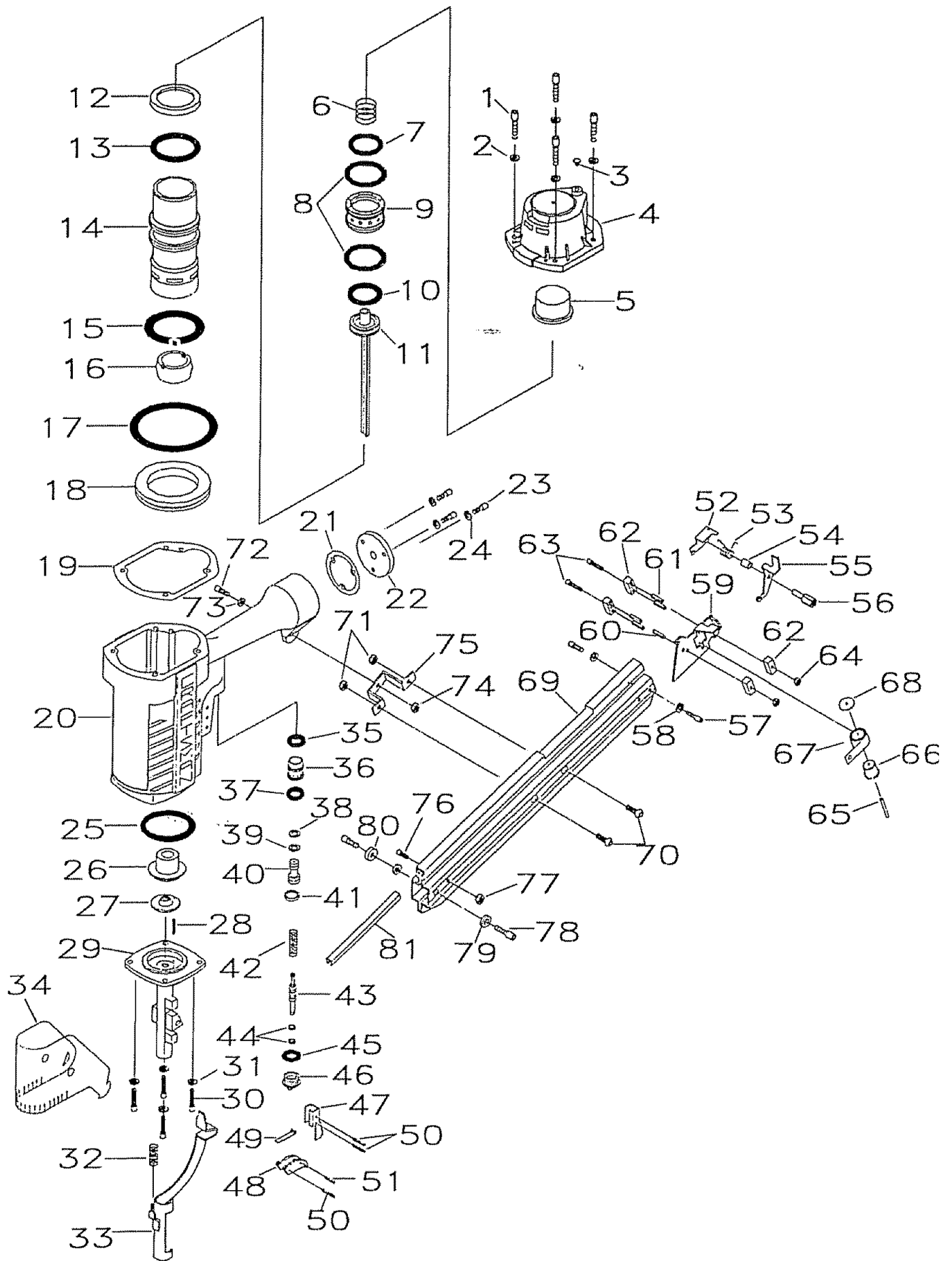


Figure 5 - Replacement Parts Illustration for Framing Nailer

REPLACEMENT PARTS LIST FOR FRAMING NAILER

KEY NO.	PART NO.	DESCRIPTION	QTY.
1	1775.00	6-1.0 x 25mm Bolt, socket head*	4
2	1514.00	6mm Washer, split*	4
3	6301.00	Rubber plug	1
4	6302.00	Cap	1
5	6303.00	Cap seal	1
6	6304.00	Cylinder valve spring	1
7	6305.00	Cylinder valve O-ring, inside	1
8	6306.00	Cylinder valve O-ring, outside	2
9	6307.00	Cylinder valve	1
10	6308.00	Piston O-ring	1
11	6309.00	Ram-piston assembly	1
12	6310.00	Cylinder cap	1
13	6311.00	Cylinder O-ring, top	1
14	6312.00	Cylinder	1
15	6313.00	Cylinder O-ring, bottom	1
16	6314.00	Bumper	1
17	6315.00	Cylinder spacer O-ring	1
18	6316.00	Cylinder spacer	1
19	6317.00	Cap gasket	1
20	6318.00	Nailer body	1
21	6319.00	Inlet cap gasket	1
22	6320.00	Inlet cap	1
23	0814.00	5-0.8 x 20mm Bolt, socket head*	3
24	46-58494-3	5mm Washer, split	3
25	6321.00	Nose O-ring*	1
26	6322.00	Nose bumper	1
27	6323.00	Ram guide	1
28	6324.00	3 x 8mm Pin, roll	1
29	6325.00	Nose	1
30	0483.00	8-1.25 x 30mm Bolt, socket head	4
31	0824.00	8mm Washer, split	4
32	6326.00	Contact trip spring	1
33	6327.00	Contact trip	1
34	6328.00	Plastic shroud	1
35	6148.00	Breather valve O-ring, top	1
36	6149.00	Breather valve	1
37	6150.00	Breather valve O-ring, outside	1
38	6151.00	O-ring	1
39	6152.00	O-ring	1
40	6153.00	Valve	1
41	6154.00	O-ring	1
42	6155.00	Spring	1

KEY NO.	PART NO.	DESCRIPTION	QTY.
43	6156.00	Plunger	1
44	6157.00	O-ring	2
45	6158.00	Seal	1
46	6159.00	Cap	1
47	6329.00	Bracket	1
48	6161.00	Trigger	1
49	6162.00	Lever	1
50	6164.00	Spring pin	3
51	6163.00	Spring	1
52	6330.00	Latch bracket	1
53	6331.00	Latch spring	1
54	6332.00	Latch bushing	1
55	6333.00	Latch	1
56	6334.00	Latch shaft	1
57	6088.00	4-0.7 x 10mm Bolt, socket head	2
58	6196.00	4mm Washer, split	2
59	6335.00	Pusher	1
60	6336.00	5 x 20mm Spring pin	1
61	6337.00	5 x 12mm Spring pin	4
62	6338.00	Plastic block	4
63	6339.00	3-0.5 x 14mm Bolt, socket head	2
64	6340.00	3mm-0.5 Nut, fiber hex	2
65	6341.00	Spring shaft	1
66	6342.00	Spring spindle	1
67	6343.00	Magazine spring	1
68	6344.00	Spindle cover	1
69	6345.00	Magazine	1
70	6346.00	6-1.0 x 12mm Bolt, socket head*	2
71	6354.00	6-1.0 Nut, fiber hex	2
72	6347.00	5-0.8 x 25mm Bolt, socket head*	1
73	6348.00	5mm Washer, flat*	1
74	6349.00	5mm-0.8 Nut, fiber hex	1
75	6350.00	Magazine bracket	1
76	6086.00	4-0.7 x 8mm Bolt, socket head	1
77	6198.00	4mm-0.7 Nut, fiber hex	1
78	1218.00	8-1.25 x 16mm Bolt, socket head*	2
79	6351.00	8mm Washer, flat	2
80	6352.00	8mm Bushing	1
81	6353.00	Nail wear plate	1
●	6186.00	Owner's Manual	1

RECOMMENDED ACCESSORIES

8 penny, .120 dia. x 2 1/2" long	918351
10 penny, .120 dia. x 3" long	918352
16 penny, .131 dia. x 3 1/2" long	918353

* Standard hardware item available locally.

● Not shown.

SEARS

**OWNER'S
MANUAL**

SERVICE

**MODEL NO.
351.183200**

**HOW TO ORDER
REPLACEMENT
PARTS**

Framing Nailer

Thank you for purchasing your Framing Nailer from Sears. This unit will provide you with many years of reliable service. Should the need exist for repair parts or service, simply contact any Sears Service Center and most Sears, Roebuck and Co. stores. Be sure to provide all pertinent facts when you call or visit. The model number of your Framing Nailer is on the front of the nailer.

All parts listed may be ordered from any Sears Service Center and most Sears stores. If the parts you need are not stocked locally, your order will be electronically transmitted to the Sears Repair Parts Distribution Center for handling.

When ordering replacement parts, always give the following information:

NAME OF ITEM: Framing Nailer

MODEL NUMBER: 351.183200

PART NUMBER:

PART DESCRIPTION: