

SEARS Owner's Manual

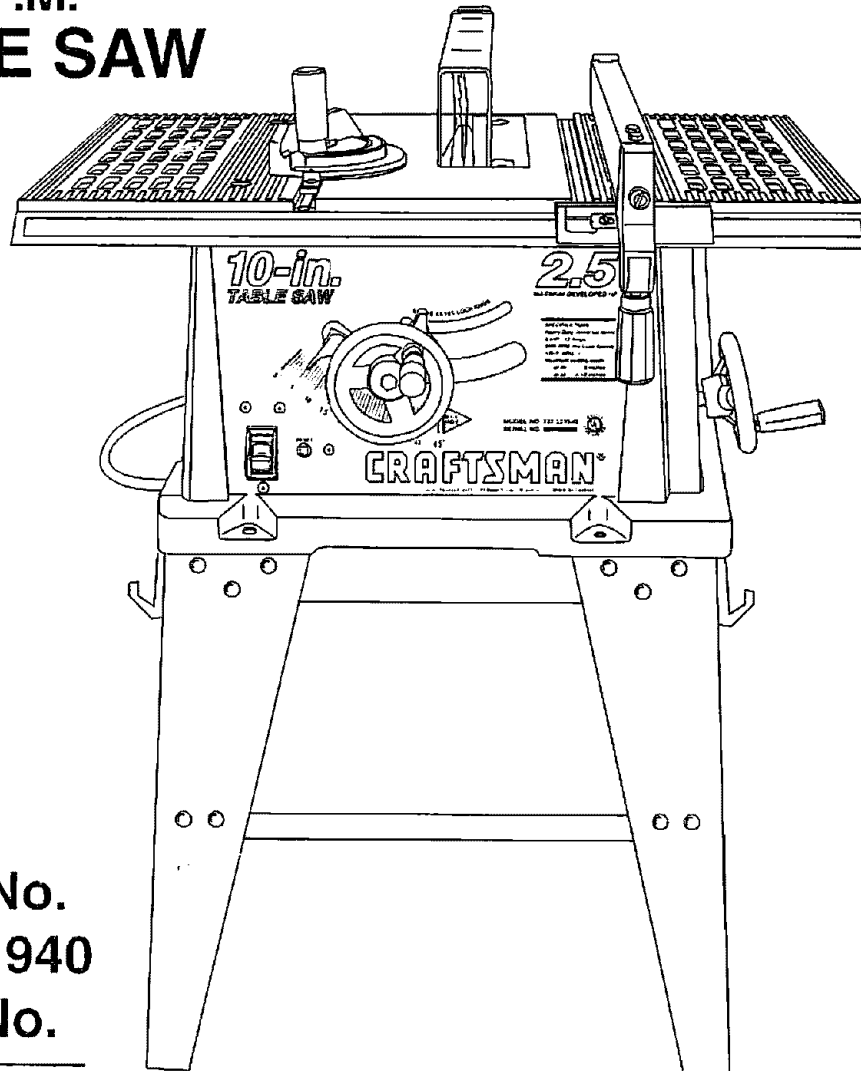
CRAFTSMAN[®]

10 Inch Blade

2.5 Horsepower (Maximum Developed)

5000 R.P.M.

TABLE SAW



Model No.
137.221940
Serial No.

NOTE: Model and serial numbers may be found on the name plate located on the front of the tool.

You should record both numbers and retain them in a safe place.

CAUTION: Before using this table saw, read this manual and follow all its Safety Rules and Operating Instructions.



E82443

Sears, Roebuck and Co., Hoffman Estates, IL 60179 USA

TABLE OF CONTENTS

SECTION	PAGE
Warranty.....	2
Product Specifications	2
Safety Instructions	3
Accessories and Attachments	6
Hardware Package Contents.....	6
Know Your Table Saw	8
Assembly and Adjustments	9
Changing the Blade.....	11
Operation.....	16
Maintenance.....	20
Troubleshooting Guide	21
Parts Pages	22

WARRANTY

FULL ONE-YEAR WARRANTY ON CRAFTSMAN TABLE SAW

If this Table Saw fails due to a defect within one year from the date of purchase, **CONTACT THE NEAREST SEARS SERVICE CENTER IN THE UNITED STATES** and Sears will repair it, free of charge.

This warranty applies only while this product is in the United States.

If this Table Saw is used for commercial or rental purposes, this warranty will apply for ninety days from the date of purchase.

This warranty gives you specific legal rights, and you may also have other rights which vary from state to state.

Sears, Roebuck and Co., Dept. 817 WA, Hoffman Estates, IL 60179

PRODUCT SPECIFICATIONS

MOTOR

Maximum developed HP	2.5
Volts	120
Amperes	13
Hertz	60
RPM (no load)	5000
Overload protection	YES

SAW

Table	16 x 26 inches
Blade	10" x 5/8" arbor
Base	ABS
Maximum depth of cut at 90°	3 inches
Maximum depth of cut at 45°	2-1/2 inches
Maximum width of dado	1/2 inch
Weight	56 pounds

WARNING

To avoid electrical hazards, fire hazards, or damage to the tool, use proper circuit protection.

Your saw is wired at the factory for 120v operation. Connect to a 120v, 15 amp branch circuit and use a 15 amp time delay fuse or circuit breaker. To avoid shock or fire, replace power cord immediately if it is worn, cut or damaged in any way.


SAFETY

GENERAL SAFETY INSTRUCTIONS

BEFORE USING THE TABLE SAW

WARNING

To avoid mistakes that could cause serious personal injury, do not plug the table saw in until you read and do the following steps.

1. **READ** and become familiar with this entire instruction manual. **LEARN** the tool's applications, limitations, and possible hazards.
2. **AVOID DANGEROUS CONDITIONS.** DO NOT use power tools in wet or damp areas or expose them to rain.
3. **DO NOT** use power tools in the presence of flammable liquids or gases.
4. **ALWAYS** keep your work area clean, uncluttered and well lit. DO NOT work on floor surfaces that are slippery from sawdust or wax.
5. **KEEP VISITORS AND CHILDREN AWAY.** Other people should keep a safe distance from the work area, especially when tool is operating.
6. **DO NOT FORCE THE TOOL.** Never force a tool to do a job for which it was not designed. It will do a better and safer job by only using on jobs for which it was designed.
7. **DRESS FOR SAFETY.** DO NOT wear loose clothing, gloves, neckties, or jewelry (rings, watches); they can get caught and draw you into moving parts. ALWAYS wear non-slip footwear; tie back long hair.
8. **WEAR A FACE MASK OR DUST MASK IF SAWING OPERATION PRODUCES DUST.**
9. **ALWAYS** remove the power cord plug from the electric outlet when making adjustments, changing parts, cleaning or working on tool.
10. **KEEP GUARDS IN PLACE AND IN WORKING ORDER.**
11. **AVOID ACCIDENTAL STARTING.** Ensure that the power switch is in the "OFF" position before plugging in the power cord.
12. **MAINTAIN TOOLS WITH CARE.** Always keep tools clean and in good working order.
13. **ALWAYS WEAR EYE PROTECTION.** Any table saw can throw foreign objects into the eyes which could cause permanent eye damage.


ALWAYS wear Safety Goggles (not glasses) that comply with ANSI safety standard Z87.1. Everyday eyeglasses have only impact-resistant lenses... they ARE NOT safety glasses. Safety Goggles are available at Sears.
NOTE: Glasses or goggles not in compliance with ANSI Z87.1 could seriously hurt you when they break.
14. **USE ONLY RECOMMENDED ACCESSORIES.** Using improper accessories can be hazardous. If in doubt, check the instruction manual that comes with that accessory.
15. **NEVER LEAVE A TOOL RUNNING UNATTENDED.** Turn the power switch to "OFF". DO NOT leave tool until it has come to complete stop.
16. **NEVER STAND ON A TOOL.** Serious injury could result if the tool tips or you accidentally hit the table saw. DO NOT store anything above or near the tool where anyone might stand on the tool to reach it.
17. **DON'T OVERREACH.** Keep proper footing and balance at all times. Wear oil-resistant rubber-soled footwear. Keep floor clear of oil, scrap and other debris.
18. **REMOVE ADJUSTING TOOLS.** Form habit of checking to see that tools and adjusting wrenches are removed from the table saw before turning it on.
19. **CHECK DAMAGED PARTS.** Before each use of tool, a guard or other part that is damaged should be carefully checked to determine that it will operate properly and perform its intended function. Check for alignment of moving parts, binding of moving parts, breakage of parts, mounting or any other conditions that may affect its operation. A guard or other part that is damaged should be properly repaired or replaced.

SAVE THESE INSTRUCTIONS

20. **MAKE WORKSHOP CHILD PROOF.** By use of padlocks, master switches, or by removing starter keys.

21. **DRUGS, ALCOHOL OR MEDICATIONS.** DO NOT operate tool if you are under the influence of drugs, alcohol or medication that could affect your ability to use the tool properly.

22. **SECURE ALL WORK.** When practical, use clamps or a vise to hold work. It is safer than using your hands and prevents round or odd-shaped pieces from turning.

23. **DIRECTION OF FEED.** Feed work into a blade or cutter against the direction of rotation of the blade or cutter only.

24. **WARNING:** Dust generated from certain materials can be injurious to your health. Always operate saw in well ventilated areas and provide for proper dust removal.

25. **USE PROPER EXTENSION CORD.** Make sure your extension cord is in good condition. When using an extension cord, be sure to use one heavy enough to carry the current your product will draw. An undersized cord will cause a drop in line voltage resulting in loss of power and overheating. The table below shows the correct size to use depending on cord length and nameplate ampere rating. If in doubt, use the next heavier gauge. The smaller the gauge number, the heavier the cord.

GUIDELINES FOR EXTENSION CORDS

If you are using an extension cord outdoors, be sure it is marked with the suffix "W-A" ("W" in Canada) to indicate that it is acceptable for outdoor use. Be sure your extension cord is properly wired, and in good electrical condition. Always replace a damaged extension cord or have it repaired by a qualified person before using it.

Protect your extension cords from sharp objects, excessive heat and damp or wet areas.

MINIMUM GAUGE FOR EXTENSION CORDS (AWG)					
(when using 120 volts only)					
Ampere Rating		Total length of cord in feet			
more than	not more than	25'	50'	100'	150'
0	6	18	16	16	14
6	10	18	16	14	12
10	12	16	16	14	12
12	16	14	12	Not Recommended	

SPECIFIC SAFETY INSTRUCTIONS FOR THE TABLE SAW

- ALWAYS USE SAW BLADE GUARD** spreader and anti-kickback pawls for every operation for which they can be used, including through-sawing. Through-sawing operations are those in which the blade cuts completely through the work piece when ripping or cross cutting.
- ALWAYS HOLD THE WORK FIRMLY** against the miter gauge or rip fence.
- USE A PUSH STICK** when required. Always use a push stick for ripping narrow stock. Refer to ripping applications in the instruction manual where the push stick is covered in detail. See the push stick pattern included in this Instruction Manual.
- NEVER PERFORM ANY OPERATION "FREE HAND"**, which means using your hands only to support or guide the work piece. Always use either the fence or the miter gauge to position and guide the work.
- NEVER STAND** or have any part of your body in line with the path of the saw blade. Keep your hands out of the line of the saw blade.
- NEVER REACH** behind or over the cutting tool for any reason.
- REMOVE** the rip fence when cross-cutting.
- DO NOT USE** molding head set with this saw.
- FEED WORK INTO THE BLADE** against the direction of rotation only.
- NEVER** use the fence as a cut-off gauge when cross-cutting.
- NEVER ATTEMPT TO FREE A STALLED SAW BLADE** without first turning the saw OFF. Turn off power switch immediately to prevent motor damage.
- PROVIDE ADEQUATE SUPPORT** to the rear and sides of the saw table for wide or long workpieces.
- AVOID KICKBACKS** (work thrown back towards you) by keeping the blade sharp, keeping the rip fence parallel to the saw blade, and by keeping the spreader, anti-kickback pawls, and guard in place and operating. Do not release work before it is pushed all the way past the saw blade. Do not rip work that is twisted, warped, or does not have a straight edge to guide along the fence.

SAVE THESE INSTRUCTIONS

14. **AVOID AWKWARD OPERATIONS** and hand positions where a sudden slip could cause your hand to move into the cutting tool.
15. **NEVER USE SOLVENTS** to clean plastic parts. Solvents could possibly dissolve or otherwise damage the material. Only a soft damp cloth should be used to clean plastic parts.
16. **MOUNT** your table saw before performing any cutting operations. Refer to installation instructions.
17. **NEVER CUT METALS** or materials which may make hazardous dust.
18. **ALWAYS USE IN A WELL VENTILATED AREA.** Remove saw dust frequently. Clean out sawdust from the interior of the saw to prevent a potential fire hazard.
19. **NEVER LEAVE THE TOOL** running unattended. Don't leave the tool until it comes to a complete stop.
20. For proper operation, this saw must be mounted to the leg set provided, or follow the instructions on page 10 of this owners manual titled "**SAW MOUNTED TO OTHER SURFACES.**" Failure to provide sawdust fall-through and removal hole will allow sawdust to build up in the motor area, which may result in a fire hazard or cause motor damage.

GROUNDING INSTRUCTIONS

IN THE EVENT OF A MALFUNCTION OR BREAKDOWN, grounding provides a column's path of least resistance for electric current to reduce the risk of electric shock. This tool is equipped with an electric cord having an equipment-grounding conductor and a grounding plug. The plug **MUST** be plugged into a matching outlet that is properly installed and grounded in accordance with **ALL** local codes and ordinances.

DO NOT MODIFY THE 3-PRONG PLUG...if it will not fit the outlet, have the proper outlet installed by a qualified electrician. Improper connection of the equipment-grounding conductor can result in a risk of shock. The conductor with insulation having an outer surface that is green (sometimes, but not always, with yellow stripes) is the equipment grounding conductor.

REPAIR OR REPLACE DAMAGED OR WORN CORD IMMEDIATELY...if repair or replacement of the electric cord or plug is ever necessary, **DO NOT** connect the equipment-grounding conductor to a live terminal.

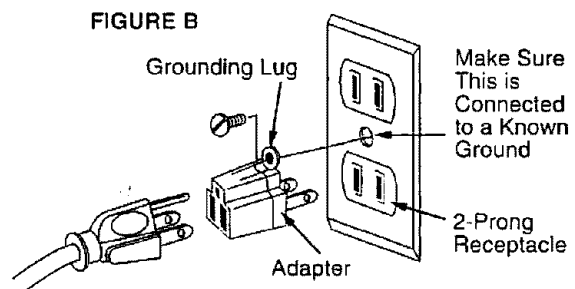
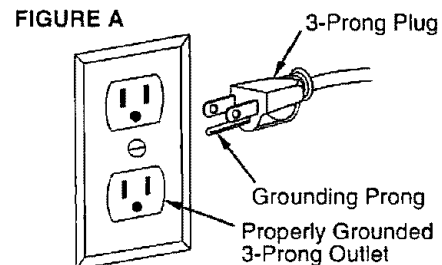


FIGURE (A)...shows a 3-wire electrical plug and outlet that has a grounding conductor. If a properly grounded outlet is not available, an adapter (**FIGURE B**) can be used to temporarily connect this plug to a 2-contact ungrounded outlet. The adapter (**FIGURE B**) has a rigid lug extending from it that **MUST** be connected to a permanent earth ground, such as a properly grounded outlet box. The Canadian Electrical Code prohibits the use of adapters.

THE ADAPTER SHOULD ONLY BE USED UNTIL A PROPERLY GROUNDING OUTLET CAN BE INSTALLED BY A QUALIFIED ELECTRICIAN.

⚠ WARNING

If you have any doubts as to whether the tool is properly grounded or if the grounding instructions are unclear, check with a qualified electrician or service personnel.

When using a grounded tool around other ungrounded devices, be sure that the ungrounded devices are in good condition. An ungrounded device can function, yet have internal electrical problems that could cause a hazard when brought in contact with a grounded tool.

USE ONLY 3-WIRE EXTENSION CORDS THAT HAVE 3-PRONG GROUNDING PLUGS AND 3-POLE RECEPTACLES THAT ACCEPT THE TOOL'S PLUG.

SAVE THESE INSTRUCTIONS

ACCESSORIES AND ATTACHMENTS

HARDWARE PACKAGE CONTENTS

AVAILABLE ACCESSORIES

Visit your Sears Hardware Department or see the Sears Power and Handtool Catalog for the following accessories:

ITEM	ITEM NUMBER
• Saw blades	See catalog or store
• Table Saw and Bench Power Tool Know How Manual.	9-29115
• Guide Master Table Saw Push Shoe.	9-32190
• Taper Jig	9-3233
• Fence Guide System	9-3237
• 6 inch Dado Set.	9-32175

⚠ WARNING

Do not use adjustable (wobble) type dadoes or carbide tipped dado blades on this saw. Maximum dado width is 1/2 inch. Do not use a dado with a diameter larger than 6". Also do not use molding head set with this saw.

Sears may recommend other accessories not listed in this manual.

See your nearest Sears store or Power and Hand Tool Catalog for other accessories.

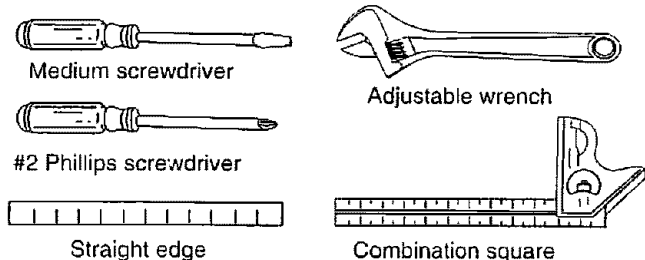
Do not use any accessory unless you have completely read the instruction or owner's manual for that accessory.

⚠ WARNING

Use only accessories recommended for this saw. Using other accessories may be dangerous.

UNPACKING AND CHECKING CONTENTS

TOOLS NEEDED



Separate all parts from packing material. Check each one with the illustration and the list of loose parts to make certain all items are accounted for, before discarding any packing material.

⚠ WARNING

If any parts are missing, do not attempt to assemble the table saw, plug in the power cord, or turn the switch on until the missing parts are obtained and are installed correctly.

TABLE OF LOOSE PARTS

ITEM	DESCRIPTION	QUANTITY
A	Table saw assembly	1
B	Miter gauge and knob	1
C	Blade guard and splitter	1
D	Rip fence and handle	1
E	Owner's manual	1
F	Bag of miscellaneous parts	1
G	Blade wrenches	2
H	Hand wheels	2
I	Dado insert	1

NOTE: To make assembly easier, keep contents of each bag together, and separate from contents of other bags.

Apply a coat of automobile wax to the table. Wipe all parts thoroughly with a clean, dry cloth. This will reduce friction when pushing the workpiece.

UNPACKING YOUR TABLE SAW

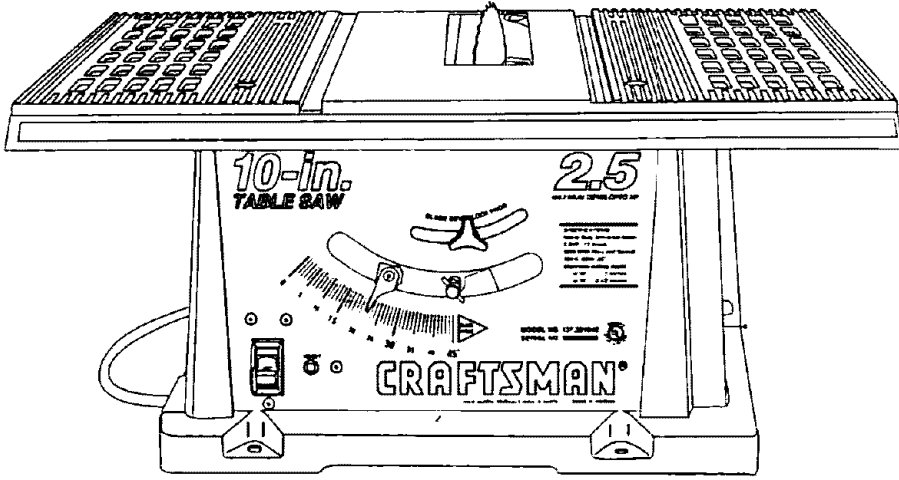
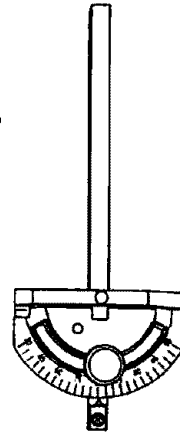
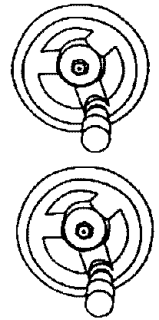


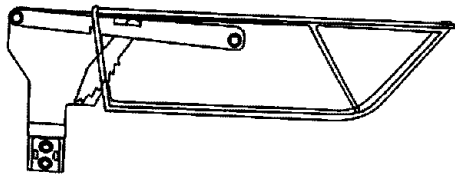
Table saw assembly



Mitre gauge



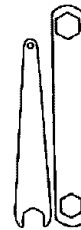
Hand wheels



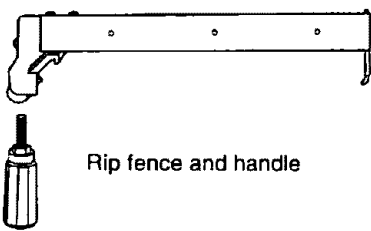
Blade guard and splitter



Hex keys



Blade wrenches



Rip fence and handle

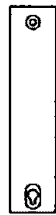


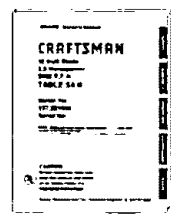
Table insert



Dado table insert



Bag of miscellaneous parts



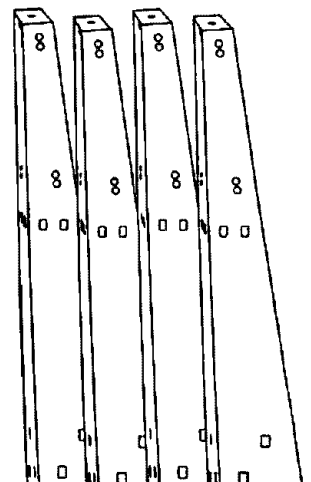
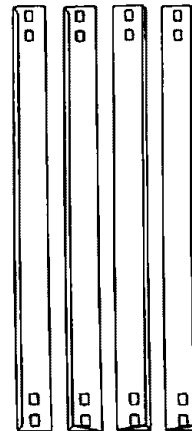
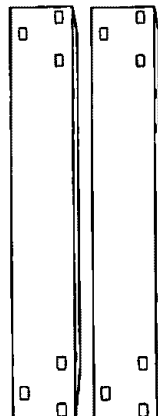
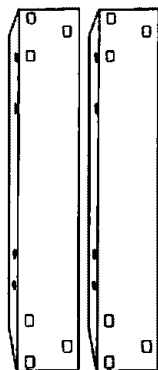
Owner's manual



Tool hangers

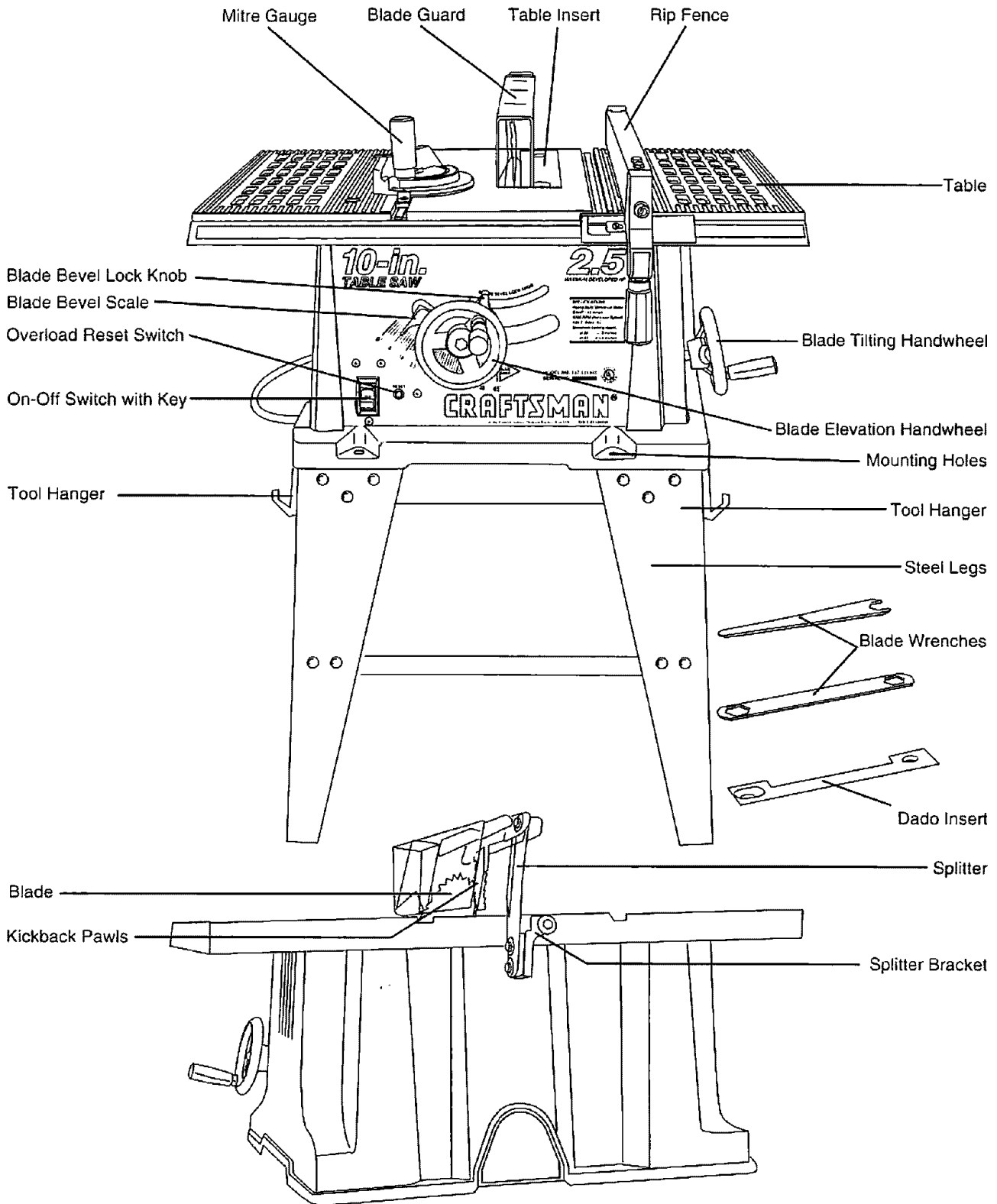


Leg Pads



Leg set

KNOW YOUR TABLE SAW



ASSEMBLY AND ADJUSTMENTS

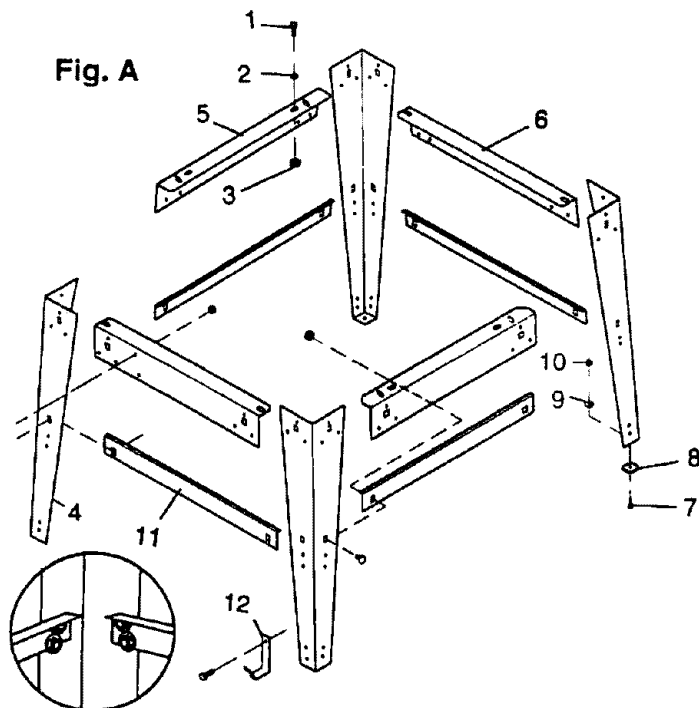
⚠ WARNING

For your own safety, never connect plug to power source outlet until all assembly steps are complete, and you have read and understand the safety and operating instructions.

ASSEMBLY INSTRUCTIONS

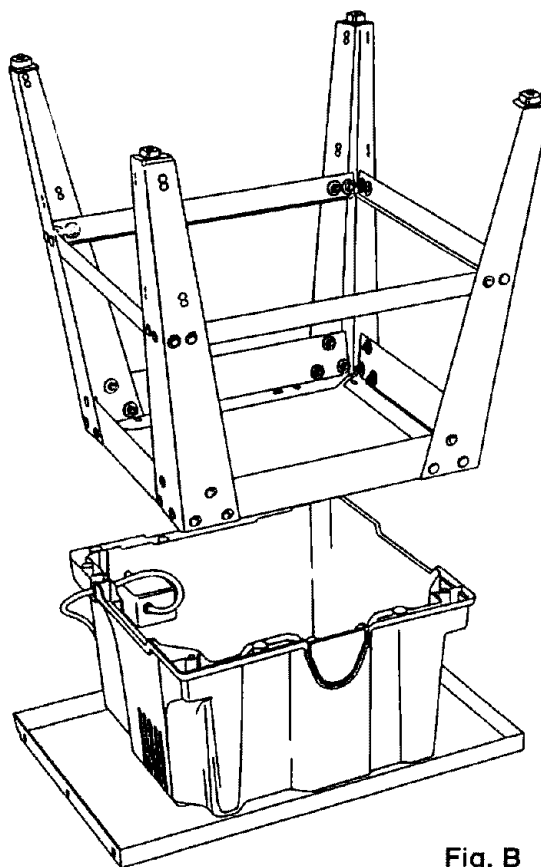
LEG SET (FIG. A)

1. Separate all parts and group by size and style.
- NOTE:** Finger tighten bolts and nuts when joining parts.
2. Use bolts (1), washers (2), and nuts (3) to assemble the leg set parts.
3. Attach leg (4) to long top bracket (5). Attach the next leg to the opposite end of the top bracket.
4. Repeat assembly for opposite side of the stand.
5. Attach completed leg set assemblies to the short top brackets (6). Repeat on the opposite side.
6. Insert bolt (7) into the recessed hole pad (8).
7. Insert into the leg-flange hole and tighten, using washer (9) and nut (10). Repeat for the three other legs.
8. Attach bottom brackets (11) between each leg.
9. Attach the hooks (12) to the frame as desired. The hooks are used to hold the fence, the blade wrenches, and mitre gauge.
10. Place leg set on a level surface and tighten all nuts and bolts.



SAW TO LEG SET (FIG. B)

1. Before mounting the rip and miter gauge to the saw top, invert the saw table so that it is facing the floor.
NOTE: *Save time* - Legs can be mounted to saw before removing the saw from the carton, saw is already inverted in carton.
2. Position stand upside down on saw base.
3. Match holes of stand to holes on bottom flange of saw base.
4. Secure stand to saw base using bolt, washers, nuts.
5. When all bolts and nuts are tightened, carefully set the saw in its upright position.
6. Position saw on clean, level surface.



SAW MOUNTED TO OTHER SURFACES (FIG. C)

1. If the leg set will not be used, the saw must be properly secured to a sturdy workbench using the four mounting holes at the base of the saw.
2. A hole must be provided in the surface of the table where the saw is mounted to facilitate sawdust fall-through and removal.
3. Square the saw on the mounting surface and mark the location of the four 3/8 inch mounting holes (1).
4. Drill 3/8 inch holes into the mounting surface.
5. Mark an 11 inch square (2) centered between the four mounting holes (1).
6. Cut out and remove the square.
7. This opening will allow sawdust to fall through the saw base.
8. Fasten the saw to the work surface utilizing the mounting holes of the saw to the holes drilled in the work surface.

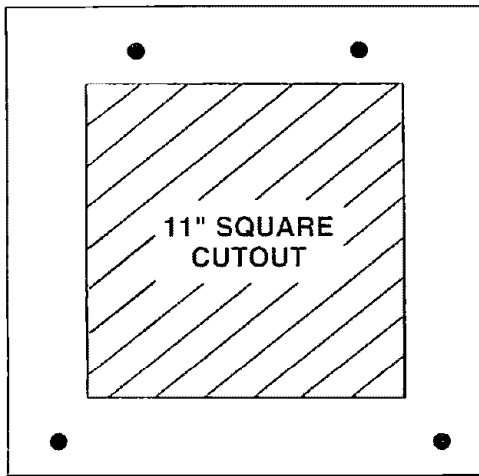


Fig. C

⚠ WARNING

Failure to provide the sawdust fall-through and removal hole will allow sawdust to build up in the motor area, which may result in a fire hazard or cause motor damage.

KEEPING THE AREA CLEAN (FIG. D)

1. Saw dust and wood chips that fall from under the saw will accumulate on the floor.
2. Make it a practice to pick up and discard this dust when you have completed cutting.

⚠ WARNING

Always keep your work area clean, uncluttered and well lit. Do not work on floor surfaces that are slippery from sawdust or wax.

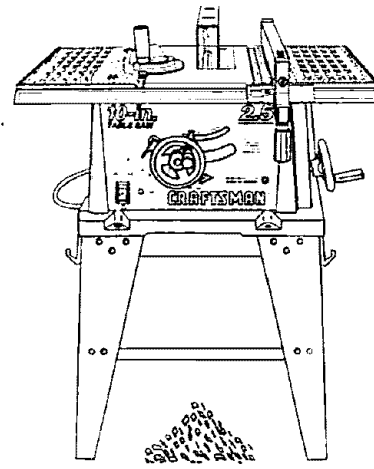


Fig. D

BLADE RAISING HAND WHEEL (FIG. E)

1. Attach the hand wheel (1) to the elevation screw (2). Make sure the slots (3) in the hub of the handwheel engage with the pins (4).
2. Tighten the screw nut (5) at the end of the shaft (FIG.F).

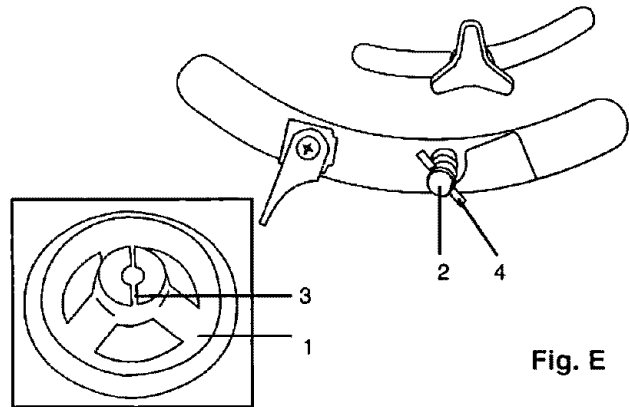


Fig. E

BLADE TILTING HANDWHEEL (FIG. F)

1. Attach the other hand wheel (6) to the blade tilting screw in same manner as above.
2. Tighten hand wheel screw nut (5).

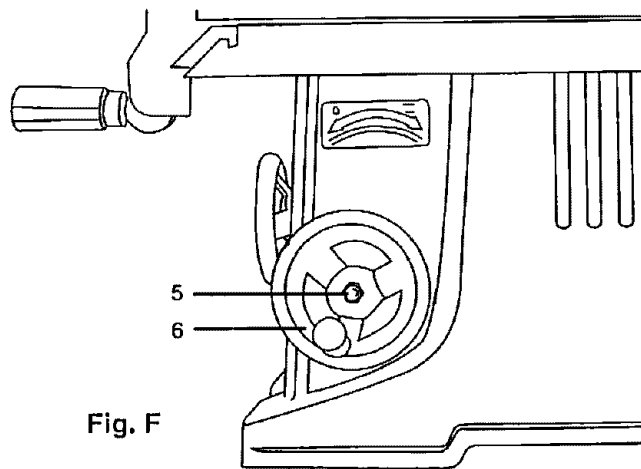


Fig. F

RIP FENCE (FIG. G)

1. Thread the fence handle (1) into the cam hole (2) until tight.
2. Lift upward on the rip fence handle (1) so that the holding clamp (3) is fully extended.
3. Place the rip fence on the saw table and engage the holding clamp (3) to the table rear. Lower the front end onto the front rail (4).
4. Push down on the fence handle (1) to lock.

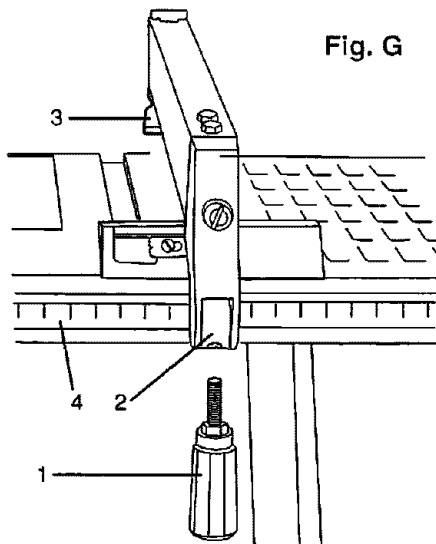


Fig. G

CHANGING THE BLADE (FIG. H, I, J)

⚠ WARNING

To avoid injury from an accidental start, make sure the switch is in the "OFF" position and the plug is not connected to the power source outlet.

1. Remove the table insert (1) by unscrewing the two screws (2). Be careful not to lose the rubber washer that is on the back screw beneath the table insert.

NOTE: The back screw is longer than the front screw.

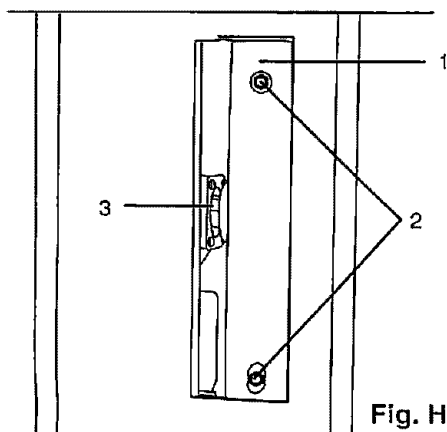


Fig. H

2. Raise the blade arbor (3) (FIG. I) to the maximum height by turning the blade raising hand wheel counterclockwise.
3. Remove the arbor nut (4) and flange (5).
4. Install the saw blade onto the arbor with the blade teeth pointing toward the front of the saw.
5. Install the flange (5) against the blade and thread the arbor nut (4) as far as possible by hand. Ensure that the blade is flush against the inner blade flange.

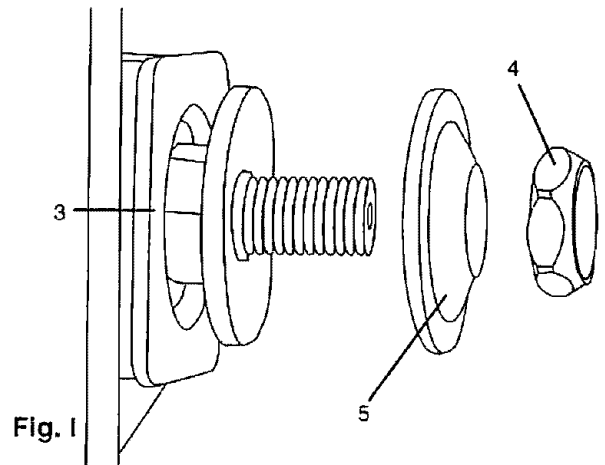


Fig. I

6. To tighten the arbor nut (4) (FIG. J), use the open-end wrench (5) and align the wrench jaws on the flats of the saw arbor to keep the arbor from turning.
7. Place the box-end wrench (6) on the arbor nut (4), and turn clockwise (to the rear of the saw table.)
8. Replace the blade insert in the table recess, insert screws through the front and rear holes and tighten.

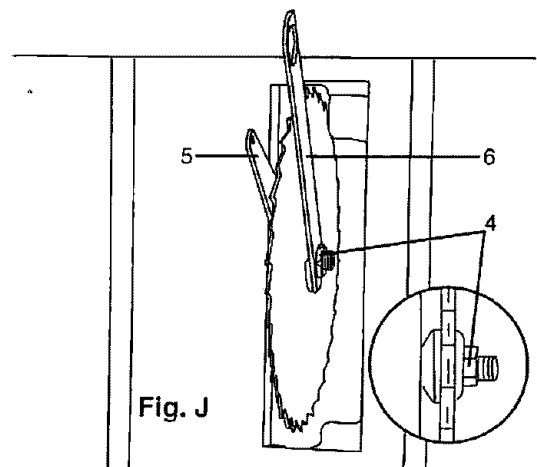


Fig. J

⚠ WARNING

To avoid injury from a thrown workpiece, blade parts, or blade contact, never operate saw without the proper insert in place. Use the saw blade insert when sawing. Use the dado head insert when using a dado.

BLADE GUARD ASSEMBLY (FIG. K, L, M, N)

⚠ WARNING

To avoid injury from an accidental start, make sure the switch is in the "OFF" position and the plug is not connected to the power source outlet.

1. Set the blade to maximum height and the tilt to zero degrees on the bevel scale. Lock the blade lock knob.
2. Place the external tooth lockwasher (2) followed by a flat washer (3) onto the long bolt (1).
3. Insert this bolt through the splitter bracket (4).

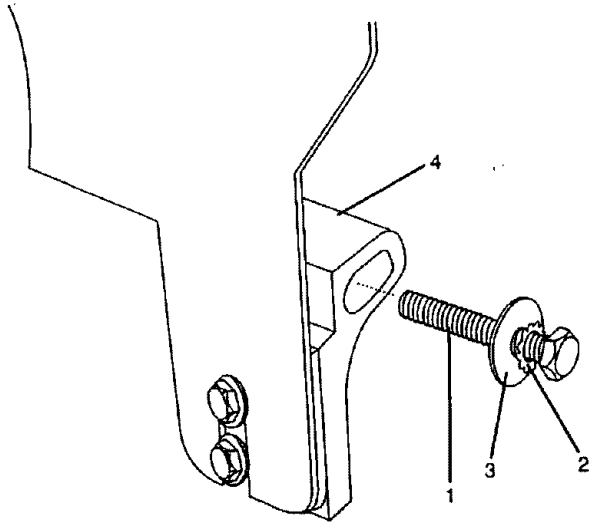


Fig. K

4. Place washer (6) on the pivot rod (5). Then insert the blade guard splitter bracket onto the pivot rod and tighten.

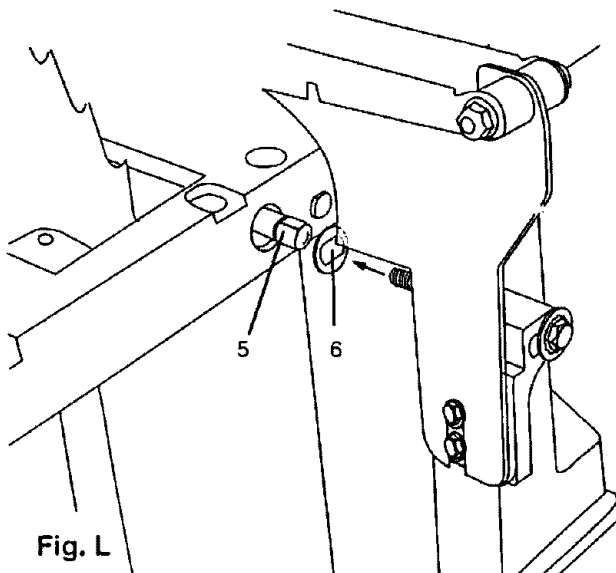


Fig. L

5. Check that the nuts (7) that hold the blade guard assembly (8) to the splitter bracket (4) are tight. Tighten if necessary.

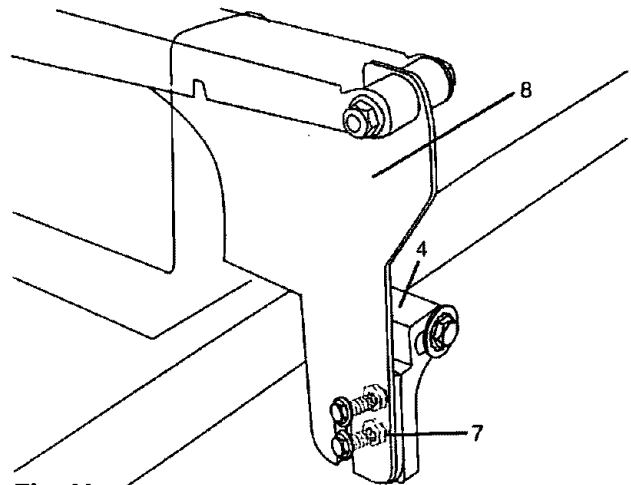


Fig. M

6. Position the blade guard arm (9) (FIG. N) to the rear.
7. Using a straight edge, check to see that the blade guard splitter (10) is aligned with the saw blade (11).
8. If straightening adjustment is necessary, loosen bolt (1) and shift the splitter assembly (10) to the left or to the right, or rotate as needed.
9. When you are certain the splitter (10) is properly aligned with the saw blade, tighten the bolt (1).

NOTE: The splitter (10) must always be correctly aligned so that the cut workpiece will pass on either side of the splitter without binding or twisting to the side.

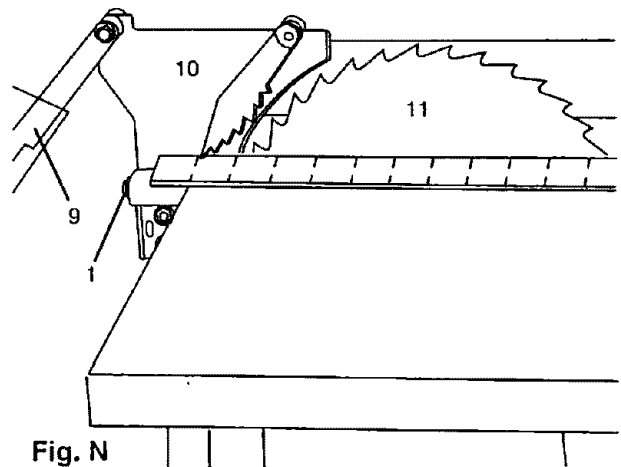
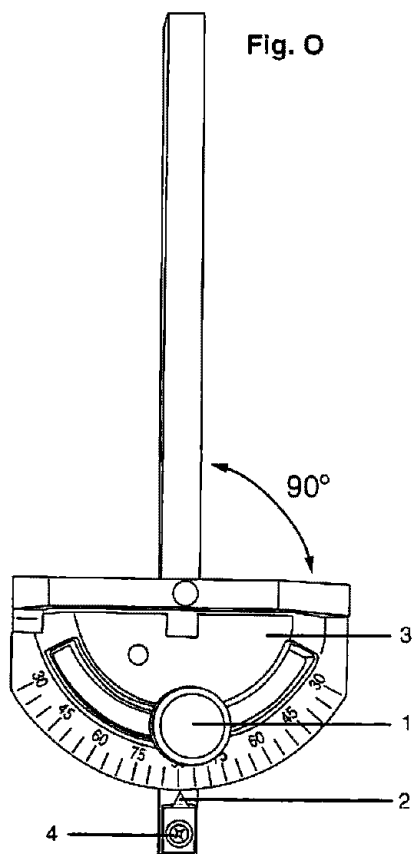


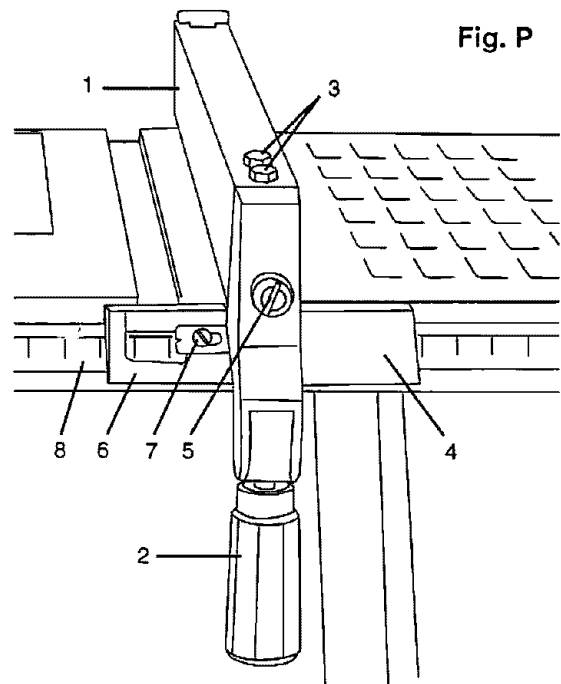
Fig. N

MITER GAUGE ADJUSTMENT (FIG. O)

1. Make sure that the miter gauge will slide freely through both table grooves.
2. Loosen the lock knob (1). Set pointer (2) at the 90° mark on the scale.
3. Using a piece of scrap wood, make a 90° cut. Then check the cut piece to see if it was cut at 90°. If not 90°, continue to adjust the miter gauge body (3) until the wood piece is cut at 90°.
4. When a 90° degree cut has been made, loosen the pointer screw (4) and set on the 90° scale mark. Tighten screw.



3. Lock the fence handle (2). The fence should be parallel with the miter gauge groove.
4. If adjustment is needed to make the fence parallel to the groove, do the following:
 5. Loosen the two screws (3) and lift up on the handle (2).
 6. Hold the fence bracket (4) firmly against the front of the saw table. Move the far end of the fence until it is parallel with the miter gauge groove.
 7. Tighten both screws (3) and push the handle (2) to lock.
 8. If fence is loose when the handle is in the locked (downward) position, do the following.
 9. Move the handle (2) upward and turn the adjusting screw (5) clockwise until the rear clamp is snug. Do not turn the adjusting screw (5) more than 1/4 turn at a time.
 10. Over-tightening the adjusting screw (5) will cause the fence to come out of alignment.



RIP FENCE ADJUSTMENT (FIG. P)

⚠ WARNING

To avoid injury from an accidental start, make sure the switch is in the "OFF" position and the plug is not connected to the power source outlet.

1. The fence (1) is moved by lifting up on the handle (2) and sliding the fence to the desired location. Pushing down on the handle (2) locks the fence in position.
2. Position the fence on the right side of the table, and along one edge of the miter gauge grooves.

RIP FENCE INDICATOR ADJUSTMENT (FIG. P)

1. The rip fence indicator (6) points to the measurement scale (8). The scale shows the distance from the side of the fence to the nearest side of the blade.
2. Measure the actual distance with a rule. If there is a difference between the measurement and the indicator, adjust the indicator (6).
3. Loosen the screw (7) and slide indicator (6) to the correct measurement scale. Tighten screw and remeasure with the rule.

⚠ WARNING

To avoid injury from an accidental start, make sure the switch is in the "OFF" position and the plug is not connected to the power source outlet.

ADJUSTING THE 90° AND 45° POSITIVE STOPS (FIG. Q, R)

Your saw has positive stops that will quickly position the saw blade at 90° or 45° to the table. Make adjustments only if necessary.

90° Stop

1. Disconnect the saw from the power source.
2. Turn the blade elevation handwheel and raise the blade to the maximum elevation.
3. Turn the blade tilting handwheel counterclockwise as far as possible. Remember to loosen the blade lock knob.
4. Place a combination square on the table and against the blade (1) to determine if the blade is 90° to the table. (FIG. Q)
5. If the blade is not 90° to the table, loosen the two set screws (4), located on the bottom of the table saw, (FIG. R) with the hex key, and back off the collar (5).
6. Turn the blade tilting handwheel until the blade is 90° to the table.
7. Adjust the collar (5) so it contacts the bracket (3) when the blade is 90° to the table. Tighten the two set screws (4).

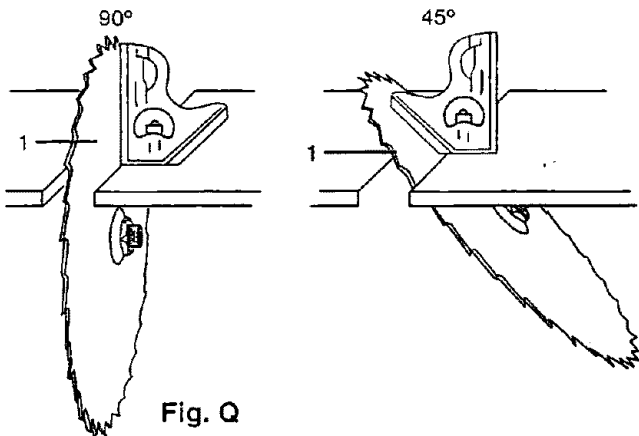


Fig. Q

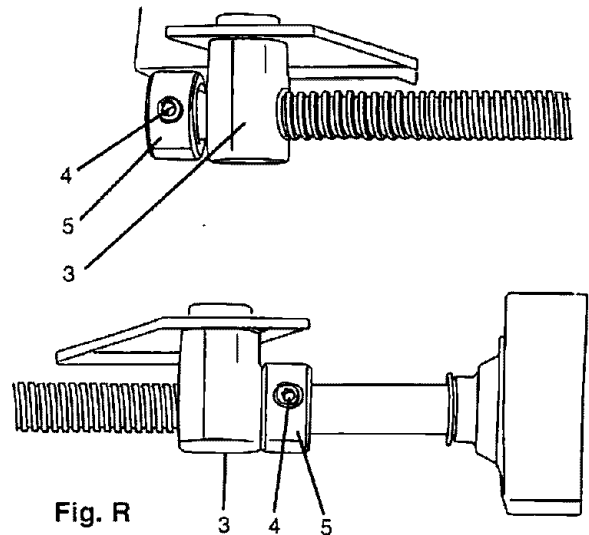


Fig. R

45° Stop

1. With the blade in the upright 90° position, turn the blade tilting handwheel clockwise as far as it will go. Remember to loosen the blade lock knob.
2. Place the combination square on the table as shown in (FIG. Q) to check if the blade is 45° to the table.
3. If the blade is not 45° to the table, loosen the two set screws (4) located under the table saw (FIG. R) with the hex key, and back off the collar (5).
4. Turn the blade tilting handwheel until the blade is 45° to the table.
5. Adjust the collar (5) so it contacts the bracket (3) when the blade is 45°. Tighten set screws (4).

BLADE TILT INDICATOR

1. When the blade is positioned at 90°, adjust the blade tilt pointer to read 0° on the scale.
2. Loosen the holding screw, position pointer over 0° and tighten screw.

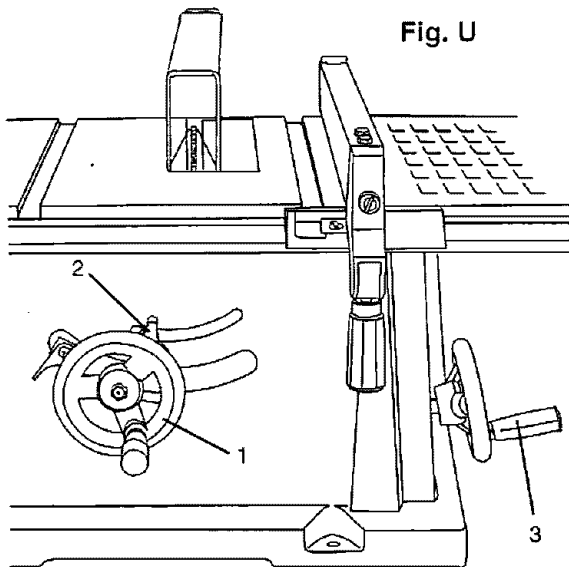
NOTE: Make a trial cut on scrap wood when making critical cuts. Measure for exactness.

OPERATION

BASIC SAW OPERATIONS

RAISING THE BLADE (FIG. U)

To raise or lower the blade, turn the blade elevation handwheel (1) to the desired blade height, and then tighten lock knob (2) to maintain the desired blade angle.



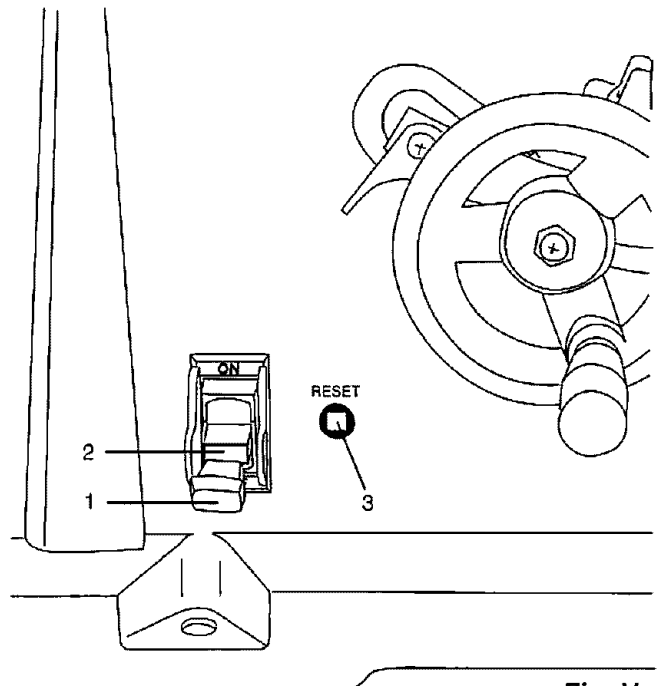
TILTING THE BLADE (FIG. U)

To tilt the saw blade for bevel cutting, loosen lock knob (2) and turn the tilting handwheel (3). Tighten the lock knob (2) when the desired angle is reached.

ON / OFF SWITCH (FIG. V)

The ON / OFF switch has a removable key. With the key removed from the switch, unauthorized and hazardous use by children and others is minimized.

1. To turn the saw ON, insert key (1) into the slot in the switch (2). Move the switch upward to the ON position.
2. To turn the saw OFF, move the switch downward.
3. To lock the switch in the OFF position, grasp the end (or yellow part) of the switch toggle (1), and pull it out.
4. With the switch key removed, the switch will not operate.
5. If the switch key is removed while the saw is running, it can be turned OFF but cannot be restarted without inserting the switch key (1).



OVERLOAD PROTECTION (FIG. V)

This saw has a reset overload relay button (3) that will restart the motor after it shuts off due to overloading or low voltage. If the motor stops during operation, turn the ON / OFF switch to the OFF position. Wait about five minutes for the motor to cool. Push in on the reset button (3) and turn the switch to the ON position.

⚠ WARNING

The ON / OFF switch should be in the OFF position, and the plug removed from the power source while the cool down takes place to prevent accidental starting when the reset button is pushed. Overheating may be caused by misaligned parts or dull blade. Inspect your saw for proper setup before using it again.

CUTTING OPERATIONS

There are two basic types of cuts: ripping and cross cutting. Ripping is cutting along the length and the grain of the workpiece. Cross cutting is cutting either across the width or across the grain of the workpiece. Neither ripping nor cross cutting may be done safely freehand. Ripping requires the use of the rip fence, and cross cutting requires the miter gauge.

CAUTION

Before using the saw each and every time, check the following:

1. Blade is tight on the arbor.
2. Bevel angle lock knob is tight.
3. If ripping, fence knob is tight and fence is parallel to the miter gauge grooves.
4. Blade guard is in place and working properly.
5. Safety glasses are being worn.

The failure to adhere to these common safety rules, and those printed in the front of this manual, can greatly increase the likelihood of injury.

RIPPING

WARNING

Do not allow familiarity gained from the frequent use of your table saw to cause careless mistakes. Remember that even a careless fraction of a second is enough to cause a severe injury.

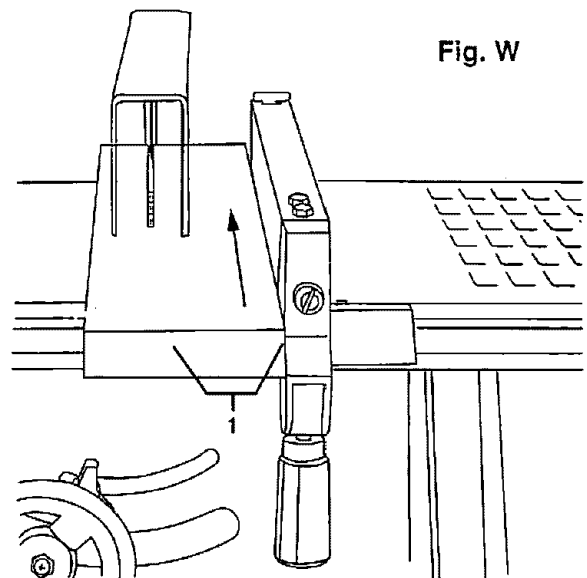
1. Remove the miter gauge. Secure the rip fence to the table.
2. Raise the blade so it is about 1/8 inch higher than the top of the workpiece.
3. Place the workpiece flat on the table and against the fence. Keep the workpiece about 1 inch away from the blade.

CAUTION: The workpiece must have a straight edge against the fence and must not be warped, twisted, or bowed.

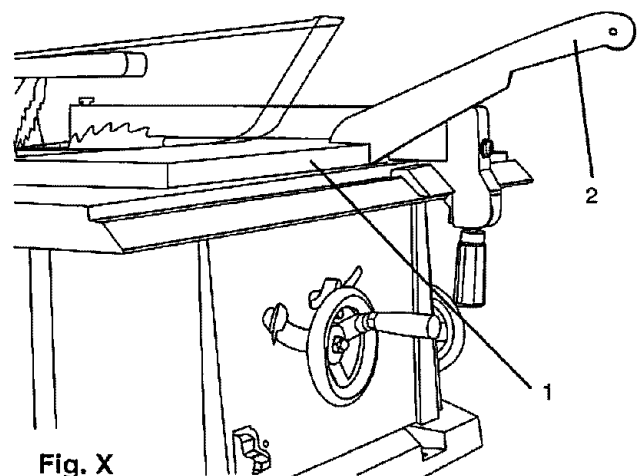
4. Turn the saw ON and wait for the blade to come up to speed.
5. Slowly feed the workpiece into the blade by pushing forward only on the workpiece section (1) that will pass between the blade and the fence. (FIG. W)

WARNING

AVOID KICKBACK by pushing forward that section of the workpiece that will pass between the blade and the fence.



6. Keep your thumbs off the table top. When both of your thumbs touch the front edge of the table (2), finish the cut with a push stick.
7. The push stick (3) should always be used when the ripped workpiece is 2 inches or wider (1). (FIG. X)
8. Continue pushing the workpiece with the push stick (3) until it passes the blade guard and clears the rear of the table.
9. Never pull the workpiece back when the blade is turning. Turn the switch OFF. When the blade completely stops raise the anti-kickback pawls on each side of the splitter and slide the workpiece out.



BEVEL RIPPING

This cut is the same as ripping except the blade bevel angle is set to an angle other than 0°.

⚠ WARNING

Cut only with the workpiece and the fence on the right side of the blade.

RIPPING SMALL PIECES

⚠ WARNING

Avoid injury from blade contact. Never make through-saw cuts narrower than 1/2 inch wide.

1. It is unsafe to rip small pieces. Instead, rip a larger piece to obtain the size of the desired piece.
2. When a small width is to be ripped and your hand cannot be safely put between the blade and the rip fence, use one or more push sticks to move the workpiece.

CROSS CUTTING (FIG. Y)

⚠ WARNING

Do not allow familiarity gained from the frequent use of your table saw to cause careless mistakes. Remember that even a careless fraction of a second is enough to cause a severe injury.

1. Remove the rip fence and place the miter gauge in the right side groove.
2. Adjust the blade height so it is 1/8 inch higher than the top of the workpiece.
3. Hold the workpiece firmly against the miter gauge with the blade path in line with the desired cut location. Move the workpiece to one inch distance from the blade.

⚠ WARNING

Keep both hands away from the blade and the path of the blade.

4. Start the saw and wait for the blade to come up to full speed.
5. Keep the workpiece against the face of the miter gauge and flat against the table. Then slowly push the workpiece through the blade (FIG. X)
6. Do not try to pull the workpiece back with the blade turning. Turn the switch OFF, and carefully slide the workpiece out when the blade is completely stopped.

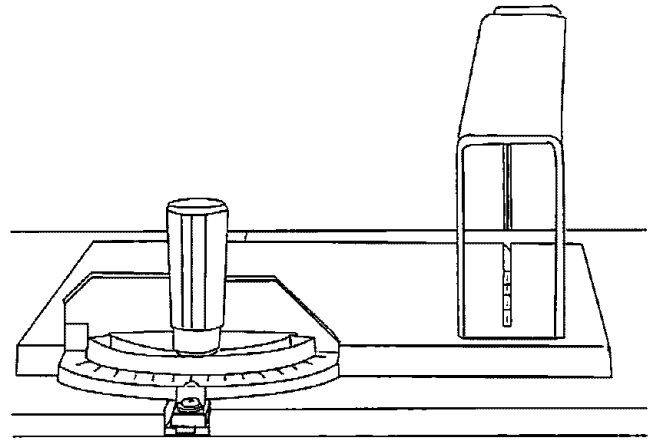


Fig. Y

BEVEL CROSSCUTTING (FIG. Z)

This cutting operation is the same as crosscutting except the blade is at a bevel angle other than 0°.

1. Adjust the blade to the desired angle, and tighten the blade bevel lock knob.
2. Always work to the right side of the blade. The miter gauge must be in the right side groove. It cannot be used in the left side groove because it will interfere with the blade guard.

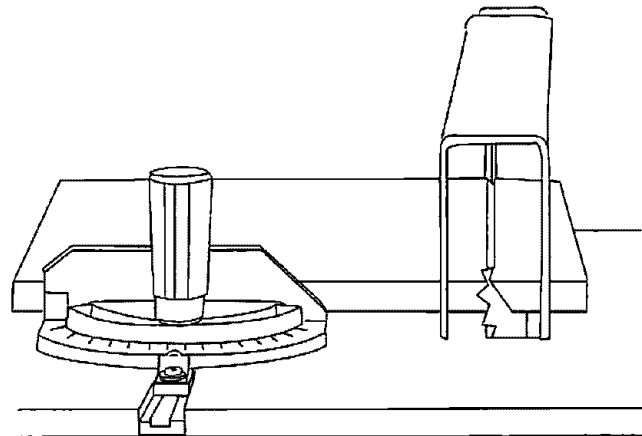


Fig. Z

COMPOUND MITER CROSSCUTTING (FIG. AA)

This sawing operation is combining a miter angle with a bevel angle.

1. Set the miter gauge to the desired angle. Use only the right side groove.
2. Set the blade bevel to the desired angle.
3. Carefully push the miter gauge to begin the cutting operation.

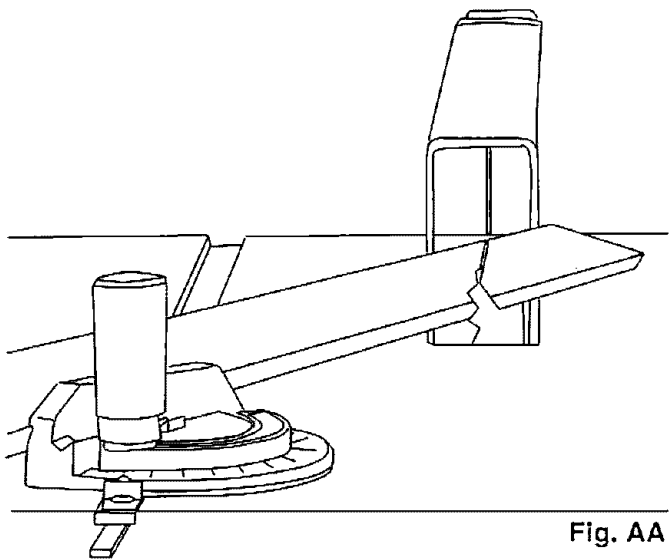


Fig. AA

MITERING (FIG. BB)

This sawing operation is the same as crosscutting except the miter gauge is locked at an angle other than 90°.

1. Hold the workpiece firmly against the miter gauge.
2. Feed the workpiece slowly into the blade to prevent the workpiece from moving.

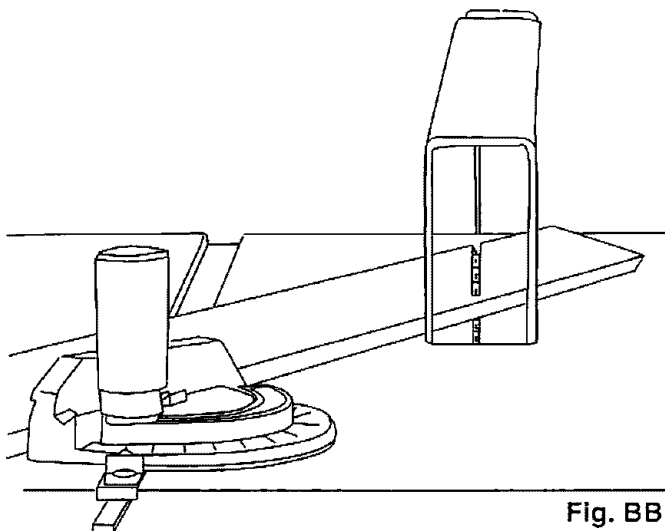


Fig. BB

USING WOOD FACING ON THE RIP FENCE (FIG. CC)

When performing some special cutting operations, add a wood facing (1) to either side of the rip fence (2):

1. Use a smooth straight 3/4 inch thick wood board (1) that is as long as the rip fence.
2. Attach the wood facing to the fence with wood screws (3) through the holes in the fence.

A wood fence should be used when ripping material such as thin paneling to prevent the material from catching between the bottom of the fence and the table.

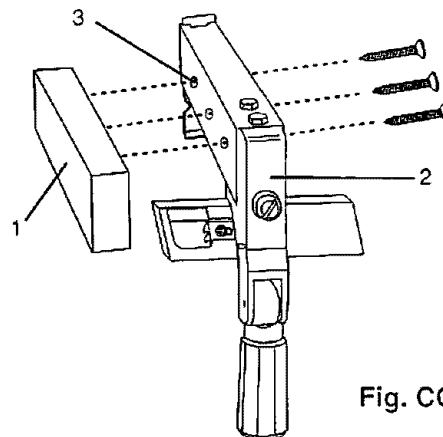


Fig. CC

DADO CUTS (FIG. DD)

1. The dado table insert is included with this saw. Remove saw blade, blade guard, installed dado, and dado table insert.
2. Instructions for operating the dado are packed with the separately purchased dado set.
3. The arbor (1) on this saw restricts the maximum width of the cut to 1/2 inch.
4. It is not necessary to install the outside flange (2) before screwing on the arbor nut (3). Make sure that the arbor nut (3) is tight, and that at least one thread of the arbor sticks out past the nut.
5. Use only the 6 inch dado set and keep the width 1/2 inch or less. It will be necessary to remove the blade guard and splitter when using dado. Use caution when dado is operating.
6. Use only the correct number of round outside blades and inside chippers as shown in the dado set's instruction manual. Blade or chipper must not exceed 1/2".
7. Check saw to ensure that the dado will not strike the housing, insert, or motor when in operation.

⚠ WARNING

For your own safety, always replace the blade, blade guard assembly, and blade insert when you are finished with the dado operation.

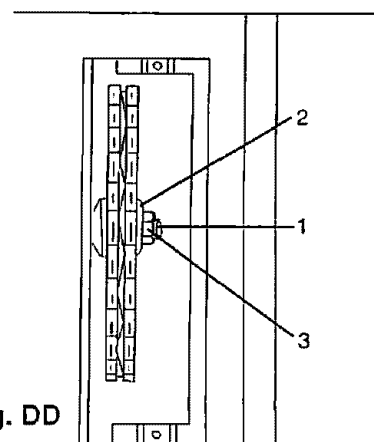


Fig. DD

MAINTAINING YOUR TABLE SAW

MAINTENANCE - GENERAL

⚠ WARNING

For your own safety, turn the switch OFF and remove the switch key. Remove the plug from the power source outlet before maintaining or lubricating your saw.

1. Clean out all sawdust that has accumulated inside the saw cabinet and the motor.
2. Polish the saw table with an automotive wax to keep it clean and to make it easier to slide the workpiece.
3. Clean cutting blades with pitch and gum remover.
4. A worn, cut, or damaged power cord should be replaced immediately.

⚠ WARNING

All electrical or mechanical repairs should be attempted only by a trained repair technician. Contact the nearest Sears store for service. Use only identical replacement parts. Any other parts may create a hazard.

5. Use liquid dish washing detergent and water to clean all plastic parts.

NOTE: Certain cleaning chemicals can damage plastic parts.

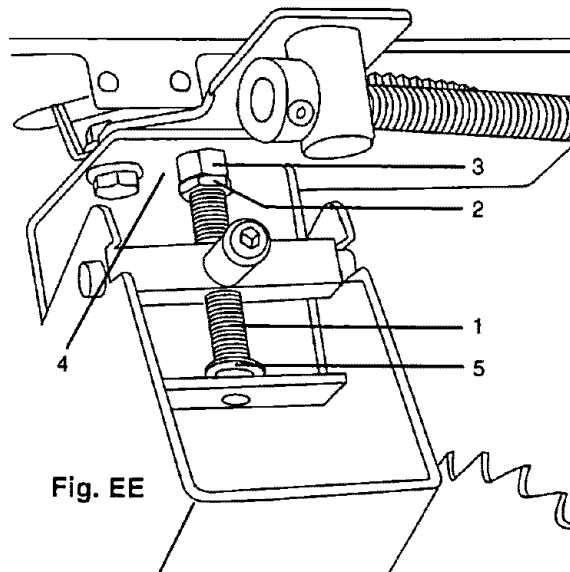
6. Avoid use of the following cleaning chemicals or solvents: gasoline, carbon tetrachloride, chlorinated solvents, ammonia and household detergents containing ammonia.

MAINTENANCE - BLADE RAISING AND TILTING MECHANISM

After each five hours of operation, the blade raising mechanism and tilting mechanism should be checked for looseness, binding, or other abnormalities. With the saw disconnected from the power source, turn the saw upside down and alternately pull upward and downward on the motor unit. Observe any movement of the motor mounting mechanism. Looseness or play in the blade raising screw (1) (FIG. EE) should be adjusted as follows:

1. Loosen nut (2).
2. Adjust nut (3) until it is finger-tight against the bracket (4), then back off the nut (3) 1/6 turn.
3. Tighten nut (2) while holding nut (3).

Maximum allowable play of screw rod (1) is 4 mm.



Place a small amount of dry lubricant such as graphite or silicon on screw rod (1) at thrust washer (5). Do not oil threads of screw rods (1). Screw rod (1) must be kept clean and free of saw dust, gum, pitch, and other contaminants for smooth operation.

If excessive looseness is observed in any other part of the blade raising mechanism or tilting mechanism, take the complete unit to a Sears Authorized Service Center.

LUBRICATION

All motor bearings are permanently lubricated at the factory and require no additional lubrication.

On all mechanical parts of your table saw where a pivot or threaded rod are present, lubricate using graphite or silicone. These dry lubricants will not hold sawdust as would oil or grease.

TROUBLESHOOTING

TROUBLESHOOTING GUIDE

▲ WARNING

To avoid injury from accidental start, turn the switch OFF, remove the switch key and remove the plug from the power source before making any adjustment.

PROBLEM	PROBABLE CAUSE	REMEDY
Saw will not start	<ol style="list-style-type: none"> 1. Saw not plugged in 2. Fuse blown or circuit breaker tripped 3. Cord damaged 	<ol style="list-style-type: none"> 1. Plug in saw 2. Replace fuse or reset circuit breaker 3. Have cord replaced by a Sears Authorized Service Center
Does not make accurate 45° and 90° rip cuts	<ol style="list-style-type: none"> 1. Positive stop not adjusted correctly 2. Tilt angle pointer not set accurately 	<ol style="list-style-type: none"> 1. Check blade with square and adjust positive stop 2. Check blade with square and adjust pointer to zero
Material pinches blade when ripping	<ol style="list-style-type: none"> 1. Rip fence not aligned with blade 2. Warped wood, edge against fence is not straight 	<ol style="list-style-type: none"> 1. Check and adjust rip fence 2. Select another piece of wood
Material binds on splitter	<ol style="list-style-type: none"> 1. Splitter not aligned correctly with blade 	<ol style="list-style-type: none"> 1. Check and align splitter with blade
Saw makes unsatisfactory cuts	<ol style="list-style-type: none"> 1. Dull blade 2. Blade mounted backwards 3. Gum or pitch on blade 4. Incorrect blade for work being done 5. Gum or pitch on table causing erratic feed 	<ol style="list-style-type: none"> 1. Replace blade 2. Turn blade around 3. Remove blade and clean with turpentine and coarse steel wool 4. Change the blade 5. Clean table with turpentine and steel wool
Material kicked back from blade	<ol style="list-style-type: none"> 1. Rip fence out of alignment 2. Splitter not aligned with blade 3. Feeding stock without rip fence 4. Splitter not in place 5. Dull blade 6. The operator letting go of material before it is past saw blade 7. Miter angle lock knob is not tight 	<ol style="list-style-type: none"> 1. Align rip fence with miter gauge slot 2. Align splitter with blade 3. Install and use rip fence 4. Install and use splitter (with guard) 5. Replace blade 6. Push material all the way past saw blade before releasing work 7. Tighten knob
Blade does not raise or tilt freely	<ol style="list-style-type: none"> 1. Sawdust and dirt in raising and tilting mechanisms 	<ol style="list-style-type: none"> 1. Brush or blow out loose dust and dirt
Blade does not come up to speed	<ol style="list-style-type: none"> 1. Extension cord too light or too long 2. Low house voltage 	<ol style="list-style-type: none"> 1. Replace with adequate size cord 2. Contact your electric company
Machine vibrates excessively	<ol style="list-style-type: none"> 1. Saw not mounted securely to stand or workbench 2. Stand or bench on uneven floor 3. Damaged saw blade 	<ol style="list-style-type: none"> 1. Tighten all mounting hardware 2. Reposition on flat level surface. Fasten to floor if necessary. 3. Replace blade
Does not make accurate 45° and 90° cross cuts	<ol style="list-style-type: none"> 1. Miter gauge out of adjustment 	<ol style="list-style-type: none"> 1. Adjust miter gauge

PARTS

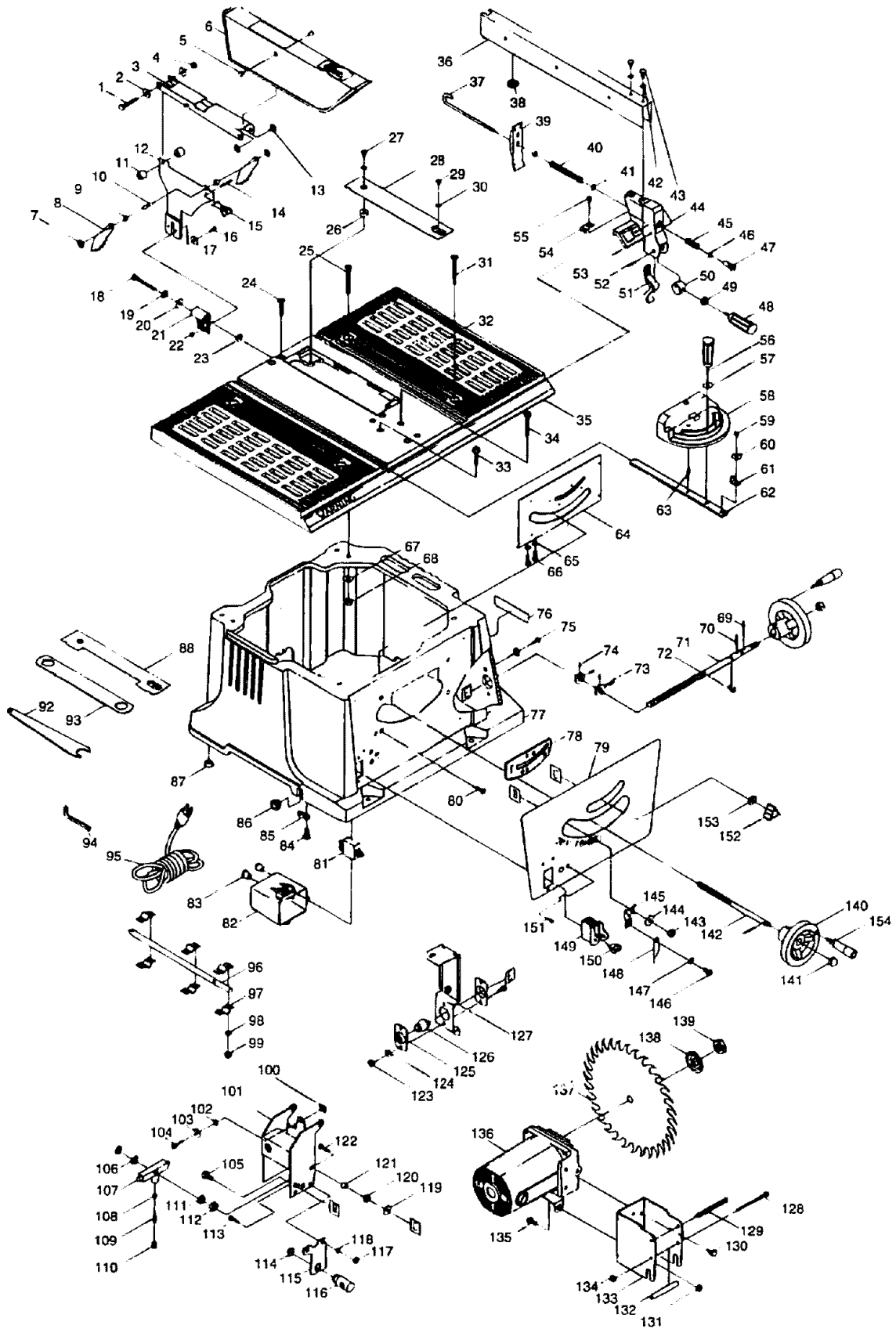
TABLE SAW PARTS LIST

MODEL NO. 137.221940

Key#	Part #	Description	Size	Key#	Part #	Description	Size
1	940001	Hex hd. screw	M6-1.8-40	79	940079	Label	
2	940002	Flat washer	6x13-1	80	940080	Tapping screw	M4x16
3	940003	Supporting arm		81	940081	Breaker switch	120V. 15A
4	940004	Hex nut	M6x1.0,T=6	82	940082	Switch box	
5	940005	Rivet	6-8	83	940083	Strain relief	
6	940006	Blade guard		84	940084	Tapping screw	M4x16
7	940007	Self-locking ring	SPN-6	85	940085	Clamp - cord	
8	940008	Kick back pawl		86	940086	Strain relief	
9	940009	Bushing		87	940087	Rubber pad	
10	940010	Roll pin		88	940088	Dado insert	
11	940011	Spacer		89*	940089	Blade Guard Assembly-includes key #1-15	
12	940012	Guard bracket		90*	940090	Rip Fence Assembly-includes key #36-55	
13	940013	Self-locking ring	SPN-6	91*	940091	Miter Gauge Assembly- includes key #56-63	
14	940014	Spring pin	4-22	92	940092	Open wrench	
15	940015	Spring		93	940093	Hex wrench	
16	940016	Hex hd. bolt	M6x1.0-16	94	940094	Allen wrench	4-64
17	940017	Flat washer	1/4"	95	940095	Power cable	
18	940018	Hex hd. bolt	M6x1.0-55	96	940096	Rod	
19	940019	Toothed washer	ø6	97	940097	Strap	
20	940020	Flat washer	1/4"	98	940098	Spring washer	1/4"
21	940021	Splitter bracket		99	940099	Hex. nut	M6x1.0
22	940022	Hex. nut	M6x1.0,T=5	100	940100	Saddle	
23	940023	Washer	ø18	101	940101	Bracket	
24	940024	Screw	M6x1.0-25	102	940102	Toothed washer	10#
25	940025	Screw	M6x1.0-50	103	940103	Fiat washer	3/16x3/8-0.022
26	940026	Rubber washer	6.1	104	940104	Hex hd. bolt	M5x0.8-20
27	940027	Cap hd. screw	M5x0.8-12	105	940105	Hex. hd. bolt	M8
28	940028	Insert		106	940106	Fiat washer	3/8"
29	940029	Cap. hd. screw	M5x0.8-8	107	940107	Bracket	
30	940030	Toothed washer	ø6	108	940108	Detent pin	
31	940031	Cr. re. count hd. screw	M6x1.0-55	109	940109	Spring	
32	940032	Table		110	940110	Hex. soc. screw	M10x1.5-12
33	940033	Rd. hd. screw	M5x0.8-30	111	940111	Hex. nut	M10x1.5,T=4
34	940034	Cr. re pan hd. screw	M5x0.8-35	112	940112	Hex. nut	M10x1.5,T=8
35	940035	Warning label		113	940113	Cap hd. sq. neck bolt	M6x1-16
36	940036	Fence		114	940114	C-ring	A-16
37	940037	Locking rod		115	940115	Supporting plate	
38	940038	Cup		116	940116	Nut	
39	940039	Rear clamp		117	940117	Hex. nut	M6x1.0-5
40	940040	Spring		118	940118	Spring washer	ø6
41	940041	Fiat washer	6x13-1	119	940119	Washer	1/4"
42	940042	Toothed washer	6	120	940120	Hex. nut	M6x1.0,T=5
43	940043	Hex hd.bolt	M6x1.0-12	121	940121	Spacer	
44	940044	Front block		122	940122	Square neck bolt	M6x1.0-35
45	940045	Spring		123	940123	Hex. nut	M6x1-5
46	940046	Fiat washer	ø10x16-1	124	940124	Fiat washer	1/4x3/4-1/16
47	940047	Nut chuck	M6x1	125	940125	Bearing seat	
48	940048	Handle		126	940126	Shaft	
49	940049	Hex nut	M8x1.25, T=6	127	940127	Stiffener	
50	940050	Eccentric		128	940128	Rod.hd.squ.nec.bolt	M6x1.0-6.0
51	940051	Front clamp		129	940129	Spring pin	ø8-90
52	940052	Spring pin		130	940130	Hex.hd. screw and washer	M8x1.25-16
53	940053	Spring pin	4-22	131	940131	Hex. nut	M5x0.8,T=4
54	940054	Pointer		132	940132	Spacer	
55	940055	Cap hd. screw	M4x0.7-6	133	940133	Bracket	ø9
56	940056	Knob		134	940134	Hex. nut	M6x1.0
57	940057	Flat washer	1/4"	135	940135	Cr.re. pan screw	M5x0.8-5
58	940058	Head		136	940136	Motor	
59	940059	Cup hd. screw	M5x0.8-6	137	940137	Blade	
60	940060	Flat washer	3/16x15/32-1/32	138	940138	Arbor collar	
61	940061	Angle pointer		139	940139	Hex. nut	
62	940062	Sheet bar		140	940140	Hand wheel	
63	940063	Pin		141	940141	Crown nut	M8x1.25
64	940064	Retaining chip		142	940142	Screw rod	
65	940065	Toothed washer	ø4	143	940143	Hex.nut	M8x1.25
66	940066	Cr. re. pan hd. screw	M4x0.7-12	144	940144	Flat washer	8x16
67	940067	Fiat washer	1/4"	145	940145	Pointer bracket	
68	940068	Hex. nut	M6x1.0	146	940146	Cap. hd. screw	ø6xM5x0.8
69	940069	Spring pin	3-24	147	940147	Toothed washer	
70	940070	Spring pin	3x14	148	940148	Pointer	
71	940071	Screw bar		149	940149	Switch- includes key #150	
72	940072	E-ring	E-9	150	940150	Switch key	
73	940073	Parrié ring		151	940151	Self-tapping screw	M4x16-12
74	940074	Hex soc. set screw	M6x1-6	152	940152	Tension handle	
75	940075	Cr. re. pan hd. screw	M6x1-12	153	940153	Fiat washer	1/4"
76	940076	Caution label		154	940154	Knob	
77	940077	Base		155*	940156	Owner's manual	
78	940078	Plate					

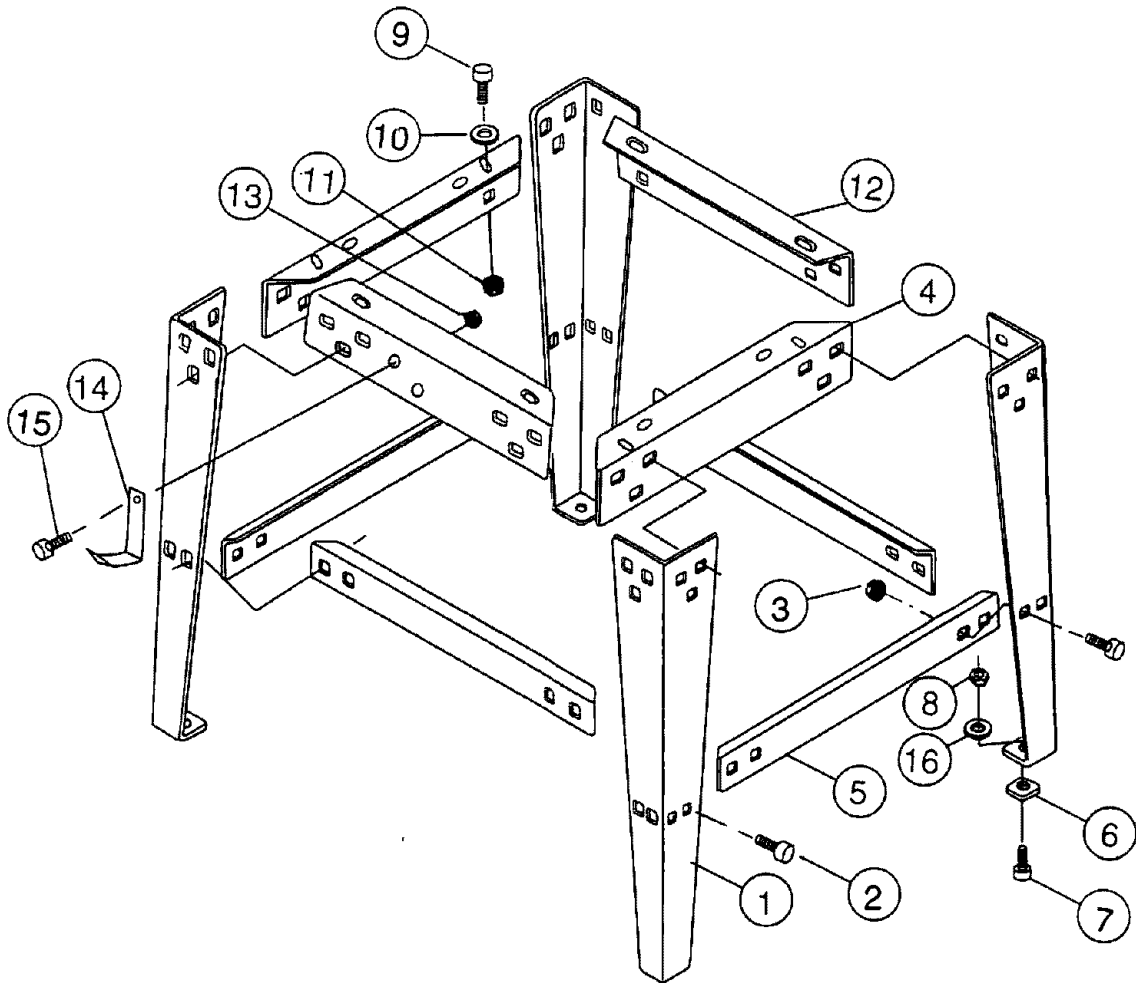
* Not shown

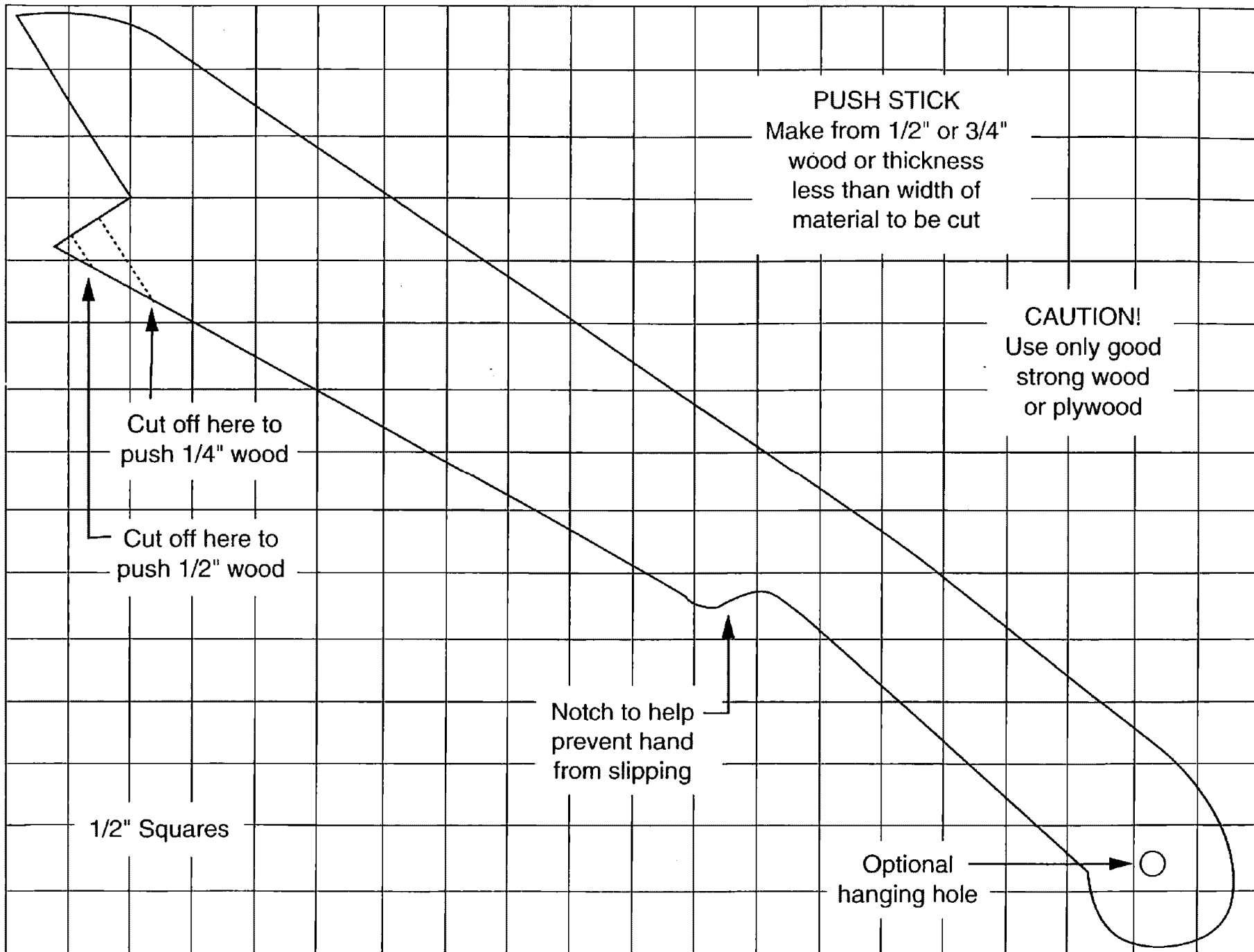
TABLE SAW PARTS DIAGRAM



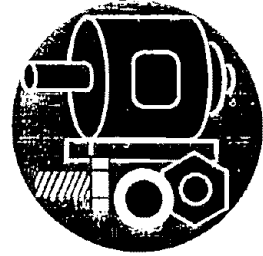
LEG SET PARTS LIST

Key#	Part #	Description	Size	Key#	Part #	Description	Size
01	940410	Bottom bracket - legs		11	940424	Hex. nut	M8x1.25
02	940412	Cap hd. sq. neck bolt	M8x1.25-16	12	940425	Bracket - top (short)	
03	940413	Hex. nut	M8x1.25	13	940426	Hex. nut	M6x1.0
04	940416	Bracket - top (long)		14	940428	Hook	
05	940417	Bottom support bracket		15	940429	Hex. hd. bolt	M6x1.0-12
06	940418	Spacer - foot pad		16	940434	Flat washer	o10x20-2
07	940420	Hex. hd. bolt	M8x1.5 -20				
08	940421	Hex. nut	M8x1.5, T=8				
09	940422	Hex. hd. bolt	M8x1.25-30				
10	940423	Flat washer	o8x16-2.5				





**For the repair or replacement parts you need
delivered directly to your home**
Call 7 am - 7 pm, 7 days a week
1-800-366-PART
(1-800-366-7278)



For in-home major brand repair service
Call 24 hours a day, 7 days a week
1-800-4-REPAIR
(1-800-473-7247)



**For the location of a
Sears Parts and Repair Center in your area**
Call 24 hours a day, 7 days a week
1-800-488-1222



**For information on purchasing a Sears
Maintenance Agreement or to inquire
about an existing Agreement**
Call 9 am - 5 pm, Monday-Saturday
1-800-827-6655



**The model number of your product is located
on the name plate on the front of the table saw.**

**When requesting service or ordering parts,
always give the following information:**

- **Product Type**
- **Part Number**
- **Model Number**
- **Part Description**

Printed in Taiwan

SEARS
REPAIR SERVICES

America's Repair Specialists

940156 12/96