

Save This Manual
For Future Reference

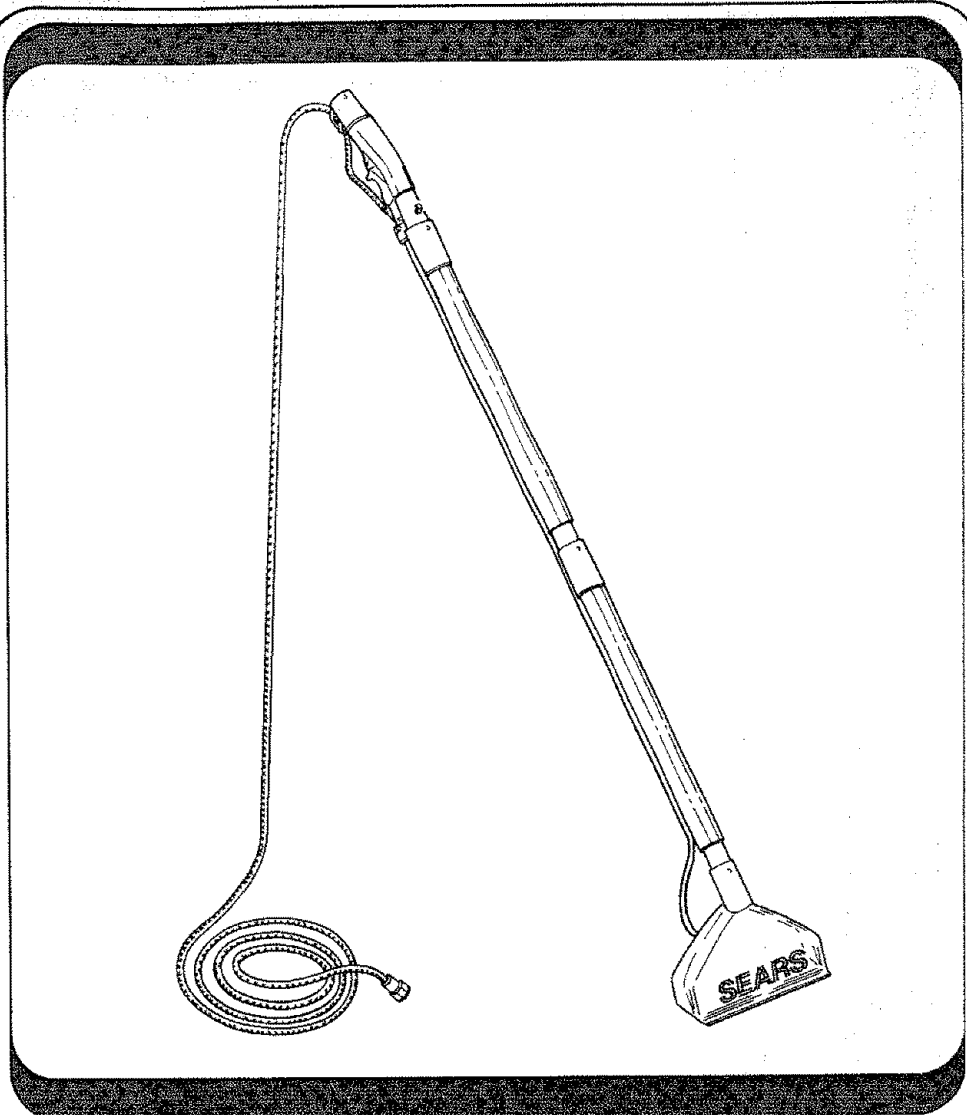
SEARS

owner's
manual

MODEL NO.
113.169270

Serial
Number _____
Model and serial numbers
may be found on the rear
of the floor nozzle.
You should record both
model and serial numbers
in a safe place for future
use.

**FOR YOUR
SAFETY:**
READ ALL
INSTRUCTIONS
CAREFULLY



CARPET/UPHOLSTERY SHAMPOOER ATTACHMENT

- assembly
- operating
- repair parts

Sold by SEARS, ROEBUCK AND CO., Chicago, IL 60684 U.S.A.

FULL ONE YEAR WARRANTY ON SHAMPOOER ATTACHMENT

If within one year from the date of purchase, this Shampooer Attachment fails due to a defect in material or workmanship, Sears will repair it, free of charge.

WARRANTY SERVICE IS AVAILABLE BY SIMPLY CONTACTING THE NEAREST SEARS SERVICE CENTER/DEPARTMENT THROUGHOUT THE UNITED STATES.

This warranty applies only while this product is used in the United States.

This warranty gives you specific rights, and you may also have other rights which vary from state to state.

SEARS, ROEBUCK AND CO., D/817 WA Hoffman Estates, IL 60195

IMPORTANT SAFETY INSTRUCTIONS

READ ALL INSTRUCTIONS.

WARNING: Do not attempt to operate until you have read thoroughly and understand completely all instructions contained in this manual. Failure to do so can result in accidents. Save Owner's Manual and review frequently for continuing safe operation. Use only in compliance with your Wet/Dry Vac Owners Manual.

DO NOT ATTACH OR USE WITH A VACUUM CLEANER INTENDED FOR DRY PICKUP ONLY. IT COULD CAUSE ELECTRICAL SHOCK. YOU COULD BE ELECTROCUTED.

DO NOT USE THIS SHAMPOOER WHERE WATER PRESSURE IS GREATER THAN 110 POUNDS PER SQUARE INCH. Higher pressures can break parts and spray hot water onto people and property. People could be badly burned.

Use shampoo (non-foaming cleaning solution concentrate) with a mix ratio between 60-1 and 40-1. Note: the mixing valve is designed to automatically make this mixture for you. Additional shampoo may be purchased in your local Sears store.

NEVER allow children to operate shampooer, nor should they play with shampooer as a toy. Hot water could be sprayed onto people or property. People could get tangled in hoses and fall.

Wet/Dry Vacs contain a float system which shuts off the suction when the water picked up reaches a predetermined level. To continue your cleaning, turn off the vac, disconnect the power cord from electrical outlet, empty the drum, reassemble and continue cleaning. Follow instructions for your Wet/Dry Vac whenever using it with this accessory.

Safety Signal Words

DANGER: means if the safety information is not followed someone **will** be seriously injured or killed.

WARNING: means if the safety information is not followed someone **could** be seriously injured or killed.

CAUTION: means if the safety information is not followed someone **might** be seriously injured or killed.

TABLE OF CONTENTS

WARRANTY INFORMATION	2
SAFETY INSTRUCTIONS	2
UNPACKING AND CHECKING CARTON	
CONTENTS	3
SHAMPOOER ASSEMBLY	3
OPTIONAL UPHOLSTERY NOZZLE	4
VALVE ASSEMBLY	4
OPERATION	6
CLEANING AND CARE	6
REPAIR PARTS	7

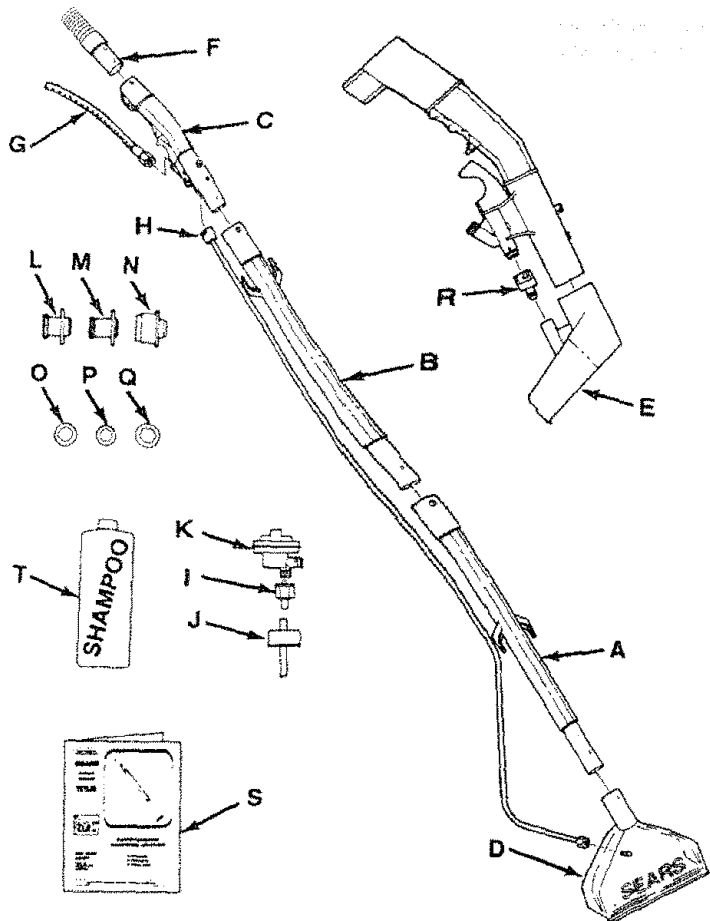
SAVE THESE INSTRUCTIONS

Unpacking and Checking Carton Contents

Remove entire contents of carton. Check each item against the Carton Contents List. Notify your Sears Store immediately if any parts are damaged or missing.

Carton Contents List

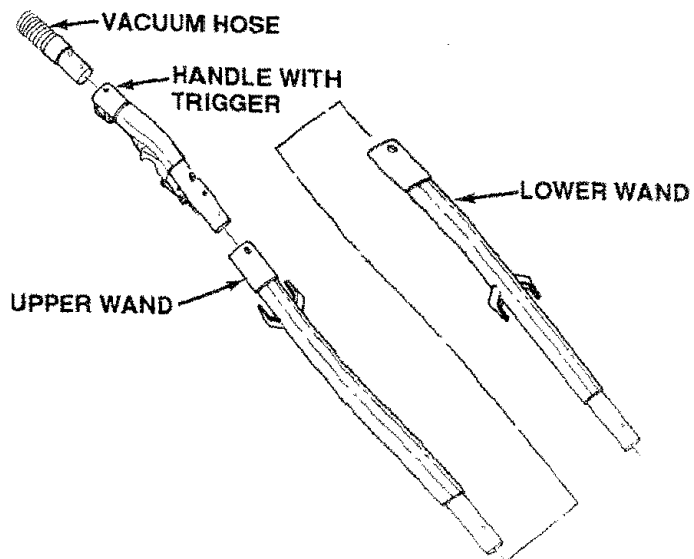
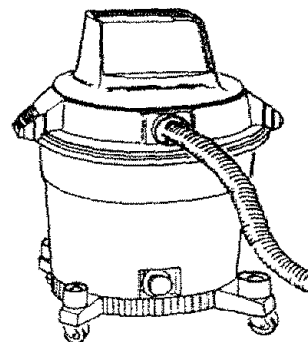
Key	Description	Qty.
A	Lower Wand.....	1
B	Upper Wand.....	1
C	Handle With Trigger.....	1
D	Floor Nozzle.....	1
E	Upholstery Nozzle.....	1
F	Vacuum Hose.....	1
G	Braided Hose w/Fittings.....	1
H	Tubing-Solution.....	1
I	Shampoo Tubing Fitting w/Check Valve.....	1
J	Shampoo Lid and Shampoo Tubing.....	1
K	Mixing Valve.....	1
L	Faucet Adapter (A-1).....	1
M	Faucet Adapter (A-2).....	1
N	Faucet Adapter (A-3).....	1
O	Washer (G-1).....	1
P	Washer (G-2).....	1
Q	Washer (G-3).....	1
R	Nozzle Adapter.....	1
S	Owner's Manual.....	1
T	Shampoo (bottle appearance may vary).....	1



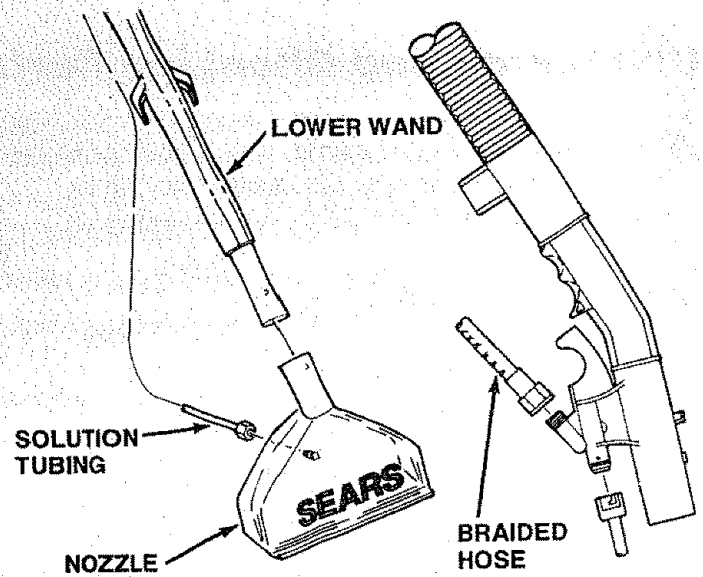
Shampooer Assembly

Preparation: Prior to using shampooer, vacuum the carpet to remove loose dirt.

1. Insert a 6' x 1-1/4" vacuum hose into the inlet of your wet/dry vac.
2. Assemble shampooer wands together assuring snap lock is in place.
3. Assemble the handle with trigger to the upper wand assuring snap lock is in place.
4. Assemble handle with trigger and wands to vac hose.

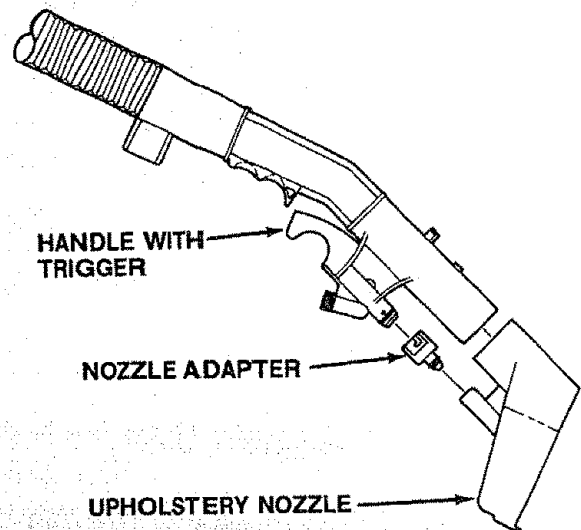


5. Attach floor nozzle to the lower wand assuring snap lock is in place.
6. Push solution tubing onto the nipple of the nozzle. Thread solution tubing nut onto threads of nozzle. Snap plastic tubing into the retainer clips on underside of wands.
7. Thread braided hose onto handle with trigger.



Optional Upholstery Nozzle

1. Snap on and turn to lock the nozzle adapter onto handle with trigger.
2. Attach upholstery nozzle to handle with trigger, assuring snap lock is in place and that the upholstery nozzle and nozzle adapter are pushed together.

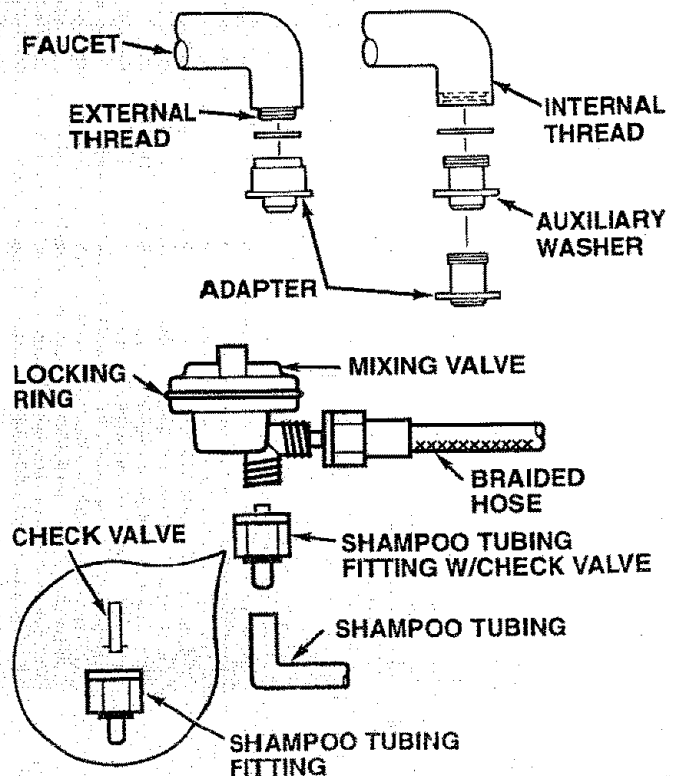


Valve Assembly

1. Select adapter that fits your faucet from the kits provided with the shampooer.
2. Thread faucet adapter to any externally or internally threaded faucet.

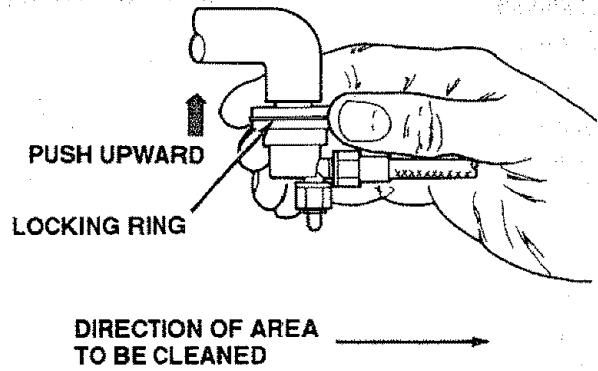
NOTE: Most faucets have aerators or filter screens that unscrew. Remove the aerator or screen by using pliers, if necessary. To avoid damage to the aerator or screen, wrap aerator with tape. Be certain auxiliary washer is used with adapter and that you are careful not to cross or strip adapter threads. Match auxiliary washers and adapters by shape.

3. Make sure check valve is snapped into the fitting but moves freely (see diagram). Slide end of shampoo tubing onto fitting with check valve and attach fitting to bottom of mixing valve.
4. Attach braided hose to the mixing valve.



5. Slide mixing valve onto faucet adapter, then push locking ring in an upward motion to lock.

NOTE: The braided hose should be pointing in the general direction of the area to be cleaned.



6. Adjust your faucet to cold. Check for leaks, if present, tighten the area where the leak occurs. Then, adjust your faucet between warm and hot. Extremely hot water could damage components of the shampooer.

DANGER

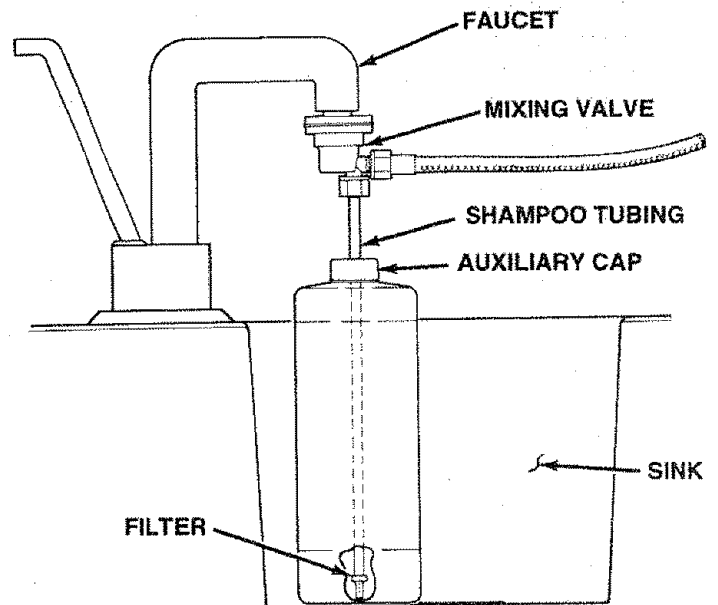
Ordinary tap water can be hot enough to quickly cause bad burns if it leaks or sprays onto someone. To avoid this, make sure your hot water heater thermostat is set at 120°F or less. Ask a plumber or your electric, gas, or fuel oil supplier for help. Many companies provide this service at no charge.

7. Set the bottle of shampoo in sink to avoid tipping and remove bottle cap. (Retain cap to close bottle after use).

NOTE: Additional shampoo may be purchased in your local Sears store.

8. Place filter end of shampoo tubing into bottle of cleaning solution. Thread auxiliary cap onto solution bottle.

9. Squeeze trigger on handle and start the flow of solution. Place floor nozzle or upholstery nozzle in sink and squeeze trigger until cleaning solution is observed in the spray from the nozzle.



Operation

DANGER

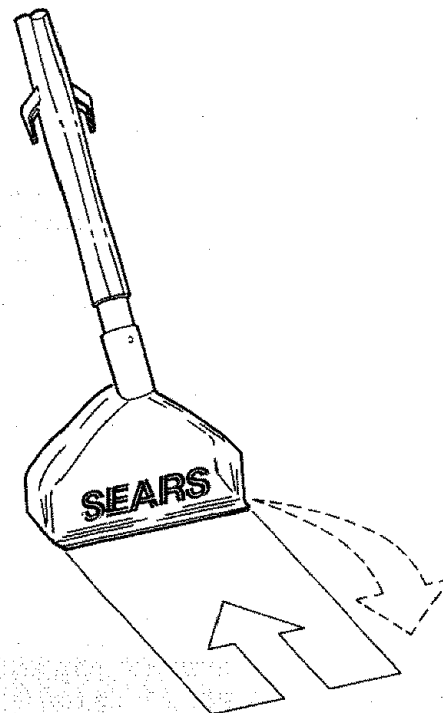
To avoid shock, never touch the plug or switch on the wet/dry vac with wet hands.

DANGER

This Carpet Shampoo Attachment is intended to be used with a Craftsman Wet/Dry Vac. Do not attach or use with a vacuum cleaner intended for dry pickup only. It could cause electrical shock. You could be electrocuted.

1. Connect wet/dry vac power cord to a convenient wall outlet.
2. Turn wet/dry vac power switch on.
3. Place nozzle on area to be cleaned and squeeze trigger to release spray of solution onto surface. Pull nozzle towards you with a slight downward pressure while releasing spray. Release the trigger and return the nozzle to the point where you initially placed the nozzle. Slowly pull nozzle over damp surface and observe dirty solution being recovered.
4. For easy emptying, periodically check the level of waste solution in the vac drum. If level of solution is approximately half full, then empty. To empty, turn power switch "OFF" and disconnect power cord from outlet. Release the two latches and remove lid from the drum. Empty drum and reassemble in the reverse order.
Wet/dry vacs are equipped with an automatic float which is activated when the level of recovered solution reaches a predetermined level. When this level is reached you cannot recover any more liquid. To continue, follow your vac instructions to empty liquid from the canister.

5. When cleaning is complete, release water pressure before disconnecting from the faucet. Turn faucet "OFF". Squeeze the trigger until spray stops.
6. For maximum efficiency, empty drum frequently and keep the inside of hose, wands, nozzle and drum clean.



Cleaning and Care

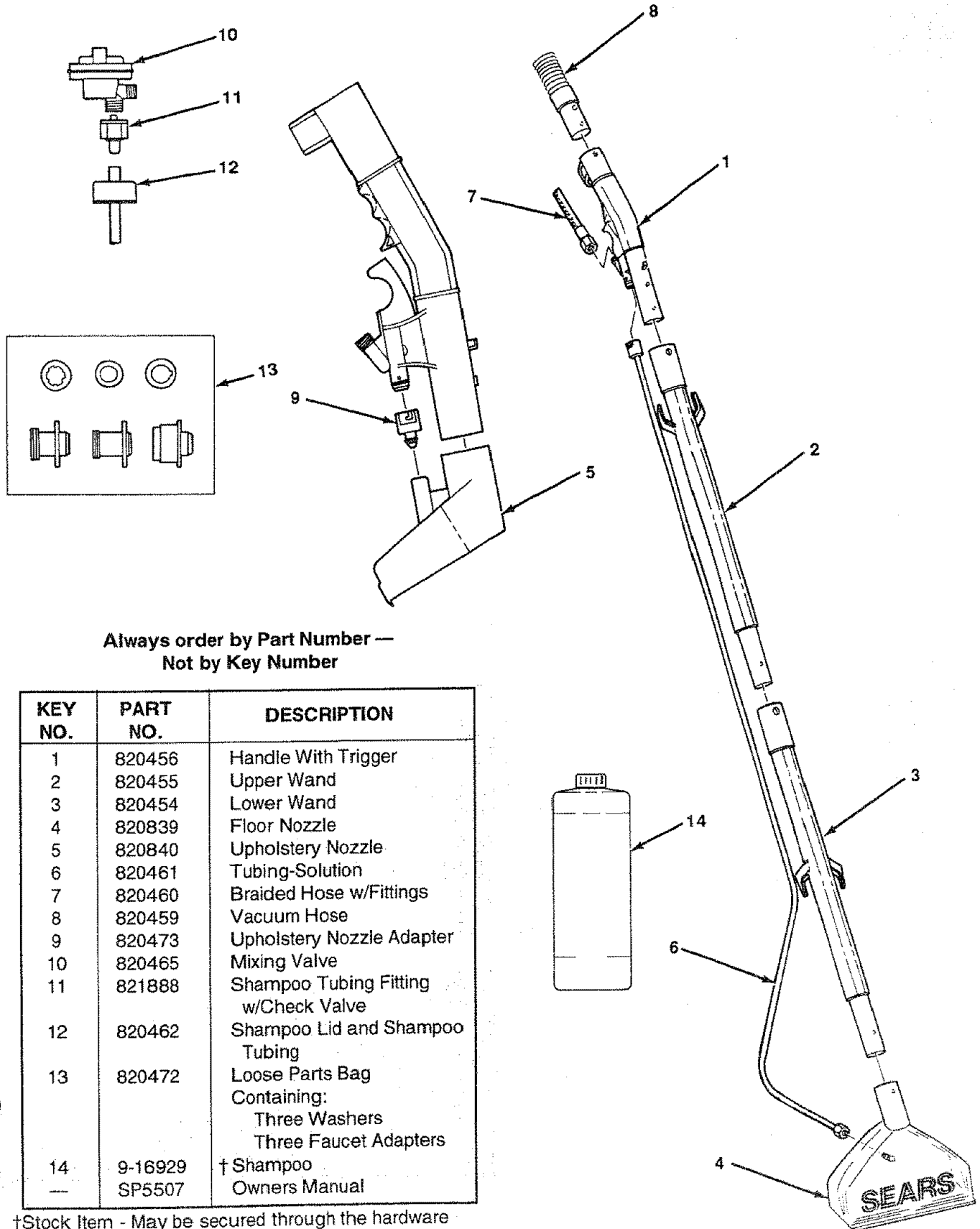
1. Proper care of the equipment, after you have finished shampooing, will extend the life of the shampooer. First, remove shampoo tubing from mixing valve and shampoo bottle. Place floor nozzle over sink or bathtub and spray for approximately 60 seconds to rinse cleaning solution from tubing.
2. Remove mixing valve from faucet. Thoroughly clean mixing valve under hot water for 60 seconds to remove any concentrate residue build up. While cleaning mixing valve, be very careful not to lose or misplace the check valve located inside the shampoo tubing fitting. (See illustration on the bottom of page 4).

NOTE: Leave braided hose connected and thread large nut back onto valve body. If you used one of the adapters provided, return adapter and its washer to the bag it came in for future use.

3. Rinse wands and wrap braided hose around cleats provided on straight wands. Snap mixing valve onto braided hose with "C" shaped clip provided on the mixing valve.

Repair Parts

PARTS LIST FOR CARPET/UPHOLSTERY SHAMPOOER ATTACHMENT MODEL NO. 113.169270



Always order by Part Number —
Not by Key Number

KEY NO.	PART NO.	DESCRIPTION
1	820456	Handle With Trigger
2	820455	Upper Wand
3	820454	Lower Wand
4	820839	Floor Nozzle
5	820840	Upholstery Nozzle
6	820461	Tubing-Solution
7	820460	Braided Hose w/Fittings
8	820459	Vacuum Hose
9	820473	Upholstery Nozzle Adapter
10	820465	Mixing Valve
11	821888	Shampoo Tubing Fitting w/Check Valve
12	820462	Shampoo Lid and Shampoo Tubing
13	820472	Loose Parts Bag Containing: Three Washers Three Faucet Adapters
14	9-16929	† Shampoo
—	SP5507	Owners Manual

† Stock Item - May be secured through the hardware department of most Sears stores.

SEARS

owner's
manual

SERVICE

MODEL NO.
113.169270

HOW TO ORDER
REPAIR PARTS

CARPET/UPHOLSTERY SHAMPOOER ATTACHMENT

Service is available by returning this carpet cleaner to the nearest Sears Service Center/Department throughout the United States.

Model and serial numbers may be found on the rear of the floor nozzle.

All parts listed may be ordered from any Sears Service Center and most Sears stores. If the parts you need are not stocked locally, your order will be electronically transmitted to a Sears Repair Parts Distribution Center for handling.

PART NUMBER

PART DESCRIPTION

MODEL NUMBER

NAME OF ITEM

113.169270

Carpet/Upholstery
Shampooer Attachment

Sold by SEARS, ROEBUCK AND CO., Chicago, IL 60684 U.S.A.