

# INSTALLATION INSTRUCTIONS

## 24" (61.0 CM) ELECTRIC SINGLE AND DOUBLE BUILT-IN OVEN

### Table of Contents

<b>BUILT-IN OVEN SAFETY</b> .....	1
<b>INSTALLATION REQUIREMENTS</b> .....	2
Tools and Parts .....	2
Location Requirements.....	2
Electrical Requirements .....	4
<b>INSTALLATION INSTRUCTIONS</b> .....	4
Prepare Built-In Oven .....	4
Remove Oven Trim .....	4
Make Electrical Connection.....	5
Install Oven .....	7
Complete Installation .....	8

## BUILT-IN OVEN SAFETY

### Your safety and the safety of others are very important.

We have provided many important safety messages in this manual and on your appliance. Always read and obey all safety messages.



This is the safety alert symbol.

This symbol alerts you to potential hazards that can kill or hurt you and others.

All safety messages will follow the safety alert symbol and either the word "DANGER" or "WARNING."

These words mean:

**⚠ DANGER**

You can be killed or seriously injured if you don't immediately follow instructions.

**⚠ WARNING**

You can be killed or seriously injured if you don't follow instructions.

All safety messages will tell you what the potential hazard is, tell you how to reduce the chance of injury, and tell you what can happen if the instructions are not followed.

### IMPORTANT:

Save for local electrical inspector's use.

# INSTALLATION REQUIREMENTS

## Tools and Parts

Gather the required tools and parts before starting installation. Read and follow the instructions provided with any tools listed here.

### Tools needed

- Phillips screwdriver
- Measuring tape
- Level
- Hand or electric drill (for wall cabinet installations)
- 1" (25 mm) drill bit (for wall cabinet installations)

### Parts needed

- UL listed or CSA approved conduit connector
- UL listed wire connectors

### Parts supplied

- # 8-14 x 1" screws - single oven (2), double oven (4)
- Bottom vent (supplied on some models)
- Two # 8-18 x 3/8" screws - bottom vent (supplied on some models)

Check local codes. Check existing electrical supply. See "Electrical Requirements."

It is recommended that all electrical connections be made by a licensed, qualified electrical installer.

## Location Requirements

**IMPORTANT:** Observe all governing codes and ordinances.

- Cabinet opening dimensions that are shown must be used. Given dimensions provide minimum clearance with oven.
- Recessed installation area must provide complete enclosure around the recessed portion of the oven.
- Grounded electrical supply is required. See "Electrical Requirements" section.
- Electrical supply junction box should be located 3" (7.6 cm) maximum below the support surface when the oven is installed in a wall cabinet. A 1" (2.5 cm) minimum diameter hole should have been drilled in the right rear or left rear corner of the support surface to pass the appliance cable through to the junction box.

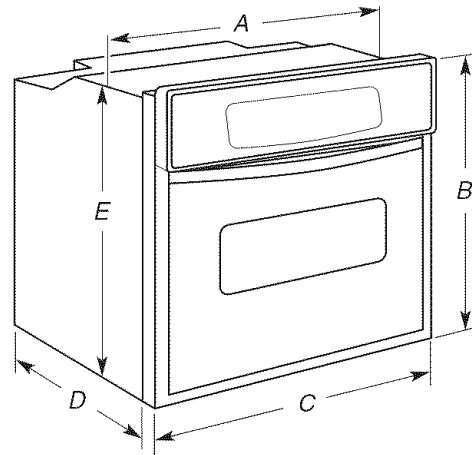
**NOTE:** For undercounter installation, it is recommended that the junction box be located in the adjacent right or left cabinet. If you are installing the junction box on rear wall behind oven, the junction box must be recessed and located in the upper or lower right or left corner of the cabinet; otherwise, the oven will not fit into the cabinet opening.

- Oven support surface must be solid, level and flush with bottom of cabinet cutout. Floor must be able to support a single oven weight of 140 lbs (63.5 kg) or a double oven weight of 245 lbs (111.1 kg).

### Undercounter Installation (with cooktop installed above):

Ovens approved for this type of installation have an approval label located on the top of the oven. Refer to undercounter installation instructions for cutout dimensions and approved oven cooktop combinations (separate sheet).

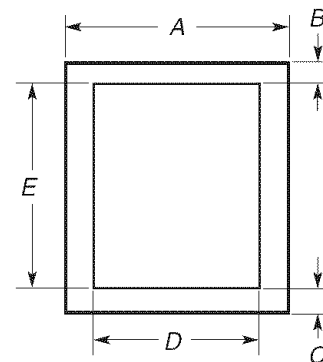
## Product Dimensions - Single Oven



- A. 22 $\frac{3}{8}$ " (56.8 cm) max. recessed width
- B. 29" (73.7 cm) max. overall height
- C. 23 $\frac{3}{4}$ " (60.3 cm) overall width
- D. 23" (58.4 cm) max. recessed depth
- E. 27 $\frac{1}{2}$ " (69.9 cm) recessed height

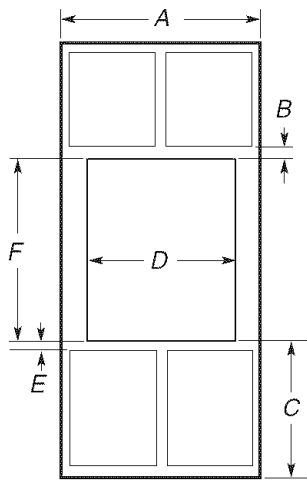
## Cabinet Dimensions - Single Oven

### Single Oven Undercounter (without cooktop installed above)



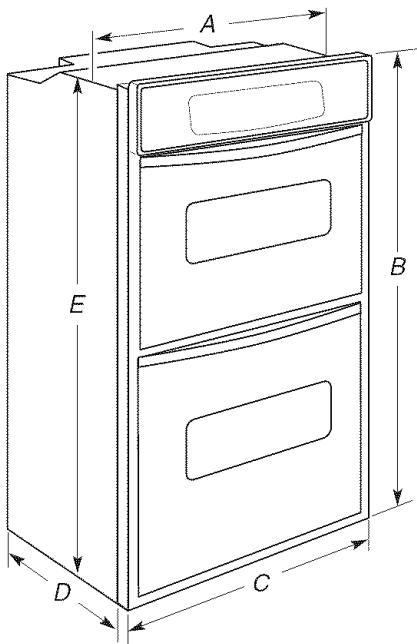
- A. 24" (61 cm) min. cabinet width
- B. 1 $\frac{1}{2}$ " (3.8 cm) min. top of cutout to underside of countertop
- C. 5 $\frac{1}{4}$ " (13.3 cm) bottom of cutout to floor
- D. 22 $\frac{1}{2}$ " (57.2 cm) cutout width
- E. 27 $\frac{3}{4}$ " (70.5 cm) min. cutout height

## Single Oven Installed in Cabinet



- A. 24" (61 cm) min. cabinet width
- B. 1" (2.5 cm) top of cutout to bottom of upper cabinet door
- C. 32" (81.3 cm) bottom of cutout to floor
- D. 22½" (57.2 cm) cutout width
- E. 1½" (3.8 cm) min. bottom of cutout to top of cabinet door
- F. 27¾" (70.5 cm) min. cutout height

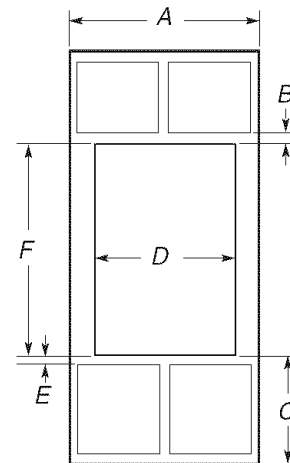
## Product Dimensions - Double Oven



- A. 22¾" (56.8 cm) max. recessed width
- B. 51" (129.5 cm) max. overall height
- C. 23¾" (60.3 cm) overall width
- D. 23" (58.4 cm) max. recessed depth
- E. 49½" (125.7 cm) recessed height

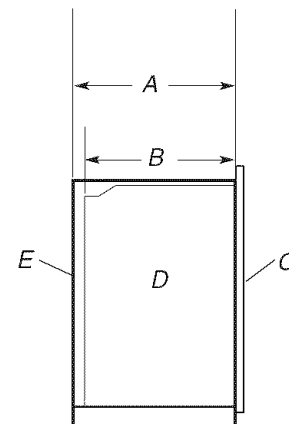
## Cabinet Dimensions - Double Oven

### Double Oven Installed in Cabinet



- A. 24" (61 cm) min. cabinet width
- B. 1" (2.5 cm) top of cutout to bottom of upper cabinet door
- C. 14¾" (37.5 cm) bottom of cutout to floor
- D. 22½" (57.2 cm) cutout width
- E. 1½" (3.8 cm) min. bottom of cutout to top of cabinet door
- F. 49¾" (126.4 cm) min. cutout height

## Cabinet Side View - Double or Single Oven



- A. 23¼" (59.1 cm) min. cutout depth
- B. 23" (58.4 cm) recessed oven depth
- C. Oven front
- D. Recessed oven
- E. Cabinet

## Electrical Requirements

If codes permit and a separate ground wire is used, it is recommended that a qualified electrical installer determine that the ground path and wire gauge are in accordance with local codes.

Check with a qualified electrical installer if you are not sure the oven is properly grounded.

This oven must be connected to a grounded metal, permanent wiring system.

Be sure that the electrical connection and wire size are adequate and in conformance with the National Electrical Code, ANSI/NFPA 70-latest edition, and all local codes and ordinances.

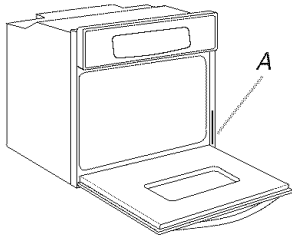
A copy of the above code standards can be obtained from:

National Fire Protection Association  
One Batterymarch Park  
Quincy, MA 02269

### Electrical Connection

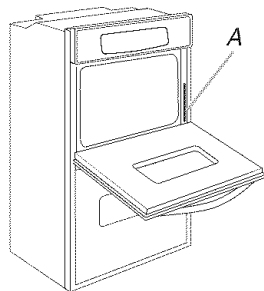
To properly install your oven, you must determine the type of electrical connection you will be using and follow the instructions provided for it here.

- Oven must be connected to the proper electrical voltage and frequency as specified on the model/serial number rating plate. The model/serial number rating plate is located on the right mounting rail. See the following illustration.



**Single oven**

A. Model/serial number plate



**Double oven**

A. Model/serial number plate

- Models rated from 7.3 to 9.6 kW at 240 volts (5.5 to 7.2 kW at 208 volts) require a separate 40-amp circuit. Models rated at 7.2 kW and below at 240 volts (5.4 kW and below at 208 volts) require a separate 30-amp circuit.
- A time-delay fuse or circuit breaker is recommended.
- Connect directly to the fused disconnect (or circuit breaker box) through flexible, armored or nonmetallic sheathed, copper cable (with grounding wire). See "Make Electrical Connection" section.
- Flexible cable from oven should be connected directly to the junction box.
- Fuse both sides of the line.
- Do not cut the conduit. The length of conduit provided is for servicibility of the oven.
- A UL listed or CSA approved conduit connector must be provided.
- If the house has aluminum wiring follow the procedure below:
  1. Connect a section of solid copper wire to the pigtail leads.
  2. Connect the aluminum wiring to the added section of copper wire using special connectors and/or tools designed and UL listed for joining copper to aluminum.Follow the electrical connector manufacturer's recommended procedure. Aluminum/copper connection must conform with local codes and industry accepted wiring practices.

## INSTALLATION INSTRUCTIONS

### Prepare Built-In Oven

1. Decide on the final location for the oven. Locate existing wiring to avoid drilling into or severing wiring during installation.

### **⚠ WARNING**

#### Excessive Weight Hazard

**Use two or more people to move and install oven.**

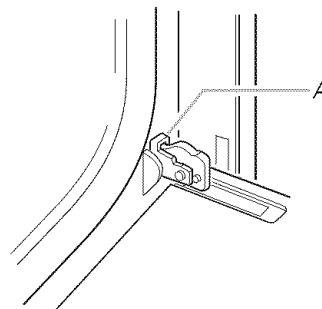
**Failure to do so can result in back or other injury.**

2. To avoid floor damage, set the oven onto cardboard prior to installation. Do not use handle or any portion of the front frame or trim for lifting.  
On models with shipping feet attached:  
To avoid product damage, do not remove the shipping feet at the front lower corners of the oven. The shipping feet will protect the lower oven trim until the oven is inserted into cabinet.
3. Remove the shipping materials and tape from the oven.
4. Remove the hardware package from inside the bag containing literature.
5. Remove and set aside racks and other parts from inside the oven.
6. Move oven and cardboard close to the oven's final location.

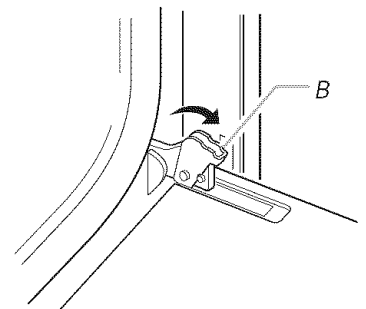
### Remove Oven Trim

**IMPORTANT:** Use both hands to remove oven doors.

1. Open the oven door.
2. Locate the oven door latches in both corners of the oven door, and rotate the latches forward to the unlocked position.

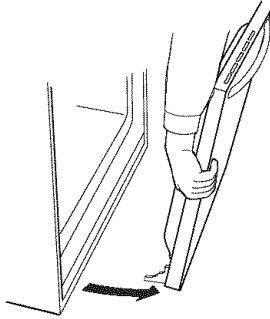


A. Oven door latch in locked position

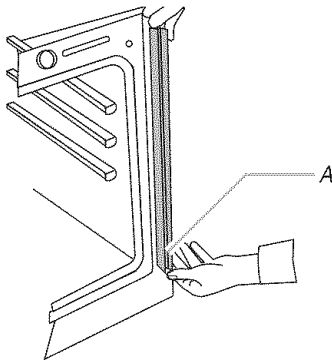


B. Oven door latch in unlocked position

- Grasp the edges of the oven door with both hands and close the oven door until it will no longer close. Lift and pull oven door toward you and remove. Set the oven door aside on a covered work surface.

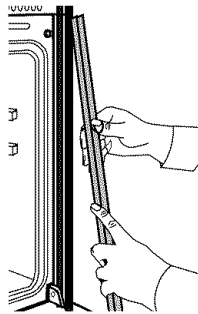


- Remove bottom screw on each side of the oven trim.
- Grasp the bottom end of trim and pull away from oven.



A. Remove trim screw and pull out.

- Slide top end of trim downward to remove trim from oven. Set trim aside.



## Make Electrical Connection

### **⚠ WARNING**



#### Electrical Shock Hazard

**Disconnect power before servicing.**

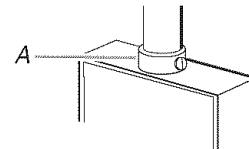
**Use 8 gauge solid copper wire.**

**Electrically ground oven.**

**Failure to follow these instructions can result in death, fire, or electrical shock.**

This oven is manufactured with a neutral (white) power supply wire and a cabinet-connected green (or bare) ground wire twisted together.

- Disconnect power.
- Feed the flexible cable conduit from the oven through the opening in the cabinet.
- Remove junction box cover if it is present.
- Install a UL listed or CSA approved conduit connector to the junction box.



A. UL listed or CSA approved conduit connector

- Route the flexible cable conduit from the oven to the junction box through a UL listed or CSA approved conduit connector.
- Tighten screws on conduit connector.
- See "Electrical Connection Options Chart" to complete installation for your type of electrical connection.

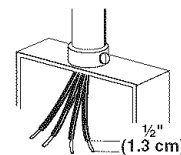
### Electrical Connection Options Chart

**If your home has:**

**Go to section:**

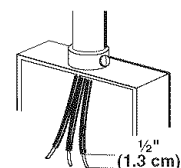
4-wire

4-wire Cable from Home Power Supply



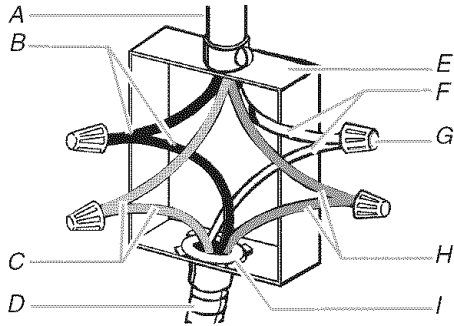
3-wire

3-wire Cable from Home Power Supply



## 4-Wire Cable from Home Power Supply

**IMPORTANT:** Use the 4-wire cable from home power supply in the U.S. where local codes do not allow grounding through neutral, New Branch circuit installations (1996 NEC), mobile homes and recreational vehicles, new construction and in Canada.

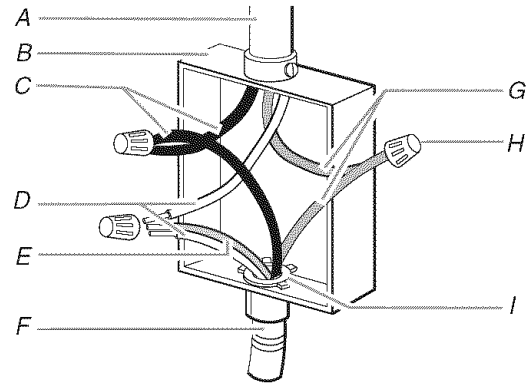


- |                                    |  |
|------------------------------------|--|
| A. Cable from home power supply    | F. White wires                                 |
| B. Black wires                     | G. UL listed wire connectors                   |
| C. Red wires                       | H. Green (or bare) ground wires                |
| D. 4-wire flexible cable from oven | I. UL listed or CSA approved conduit connector |
| E. Junction box                    |  |

1. Connect the 2 black wires (B) together using a UL listed wire connector.
2. Connect the 2 red wires (C) together using a UL listed wire connector.
3. Untwist white wire from green (or bare) ground wire coming from the oven.
4. Connect the 2 white wires (F) together using a UL listed wire connector.
5. Connect the green (or bare) ground wire (H) from the oven cable to the green (or bare) ground wire (in the junction box) using a UL listed wire connector.
6. Install junction box cover.

## 3-Wire Cable from Home Power Supply - U.S. Only

**IMPORTANT:** Use the 3-wire cable from home power supply where local codes permit a 3-wire connection.



- |  |  |
|--|--|
| A. Cable from home power supply            | F. 4-wire flexible cable from oven             |
| B. Junction box                            | G. Red wires                                   |
| C. Black wires                             | H. UL listed wire connectors                   |
| D. White wires                             | I. UL listed or CSA approved conduit connector |
| E. Green (or bare) ground wire (from oven) |  |

1. Connect the 2 black wires (C) together using a UL listed wire connector.
2. Connect the 2 white wires (D) and the green (or bare) ground wire (of the oven cable) using a UL listed wire connector.
3. Connect the 2 red wires (G) together using a UL listed wire connector.
4. Install junction box cover.

## Install Oven

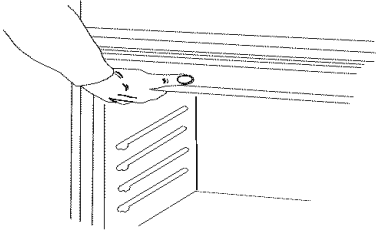
### **⚠ WARNING**

#### **Excessive Weight Hazard**

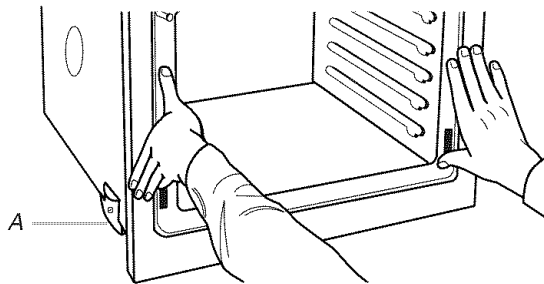
**Use two or more people to move and install oven.  
Failure to do so can result in back or other injury.**

1. Using 2 or more people, lift oven partially into cabinet cutout. Use the oven opening as an area to grip.

**NOTE:** Push against seal area of oven front frame when pushing oven into cabinet. Do not push against outside edges.



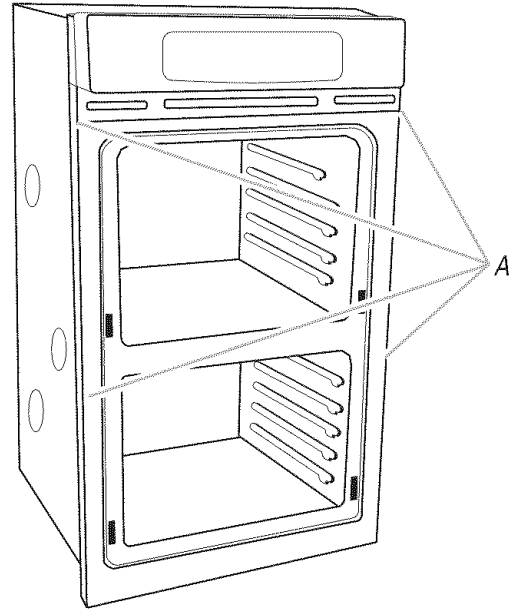
2. Push against seal area of front frame to push oven into cabinet until shipping feet almost contact cabinet.



A. Shipping foot

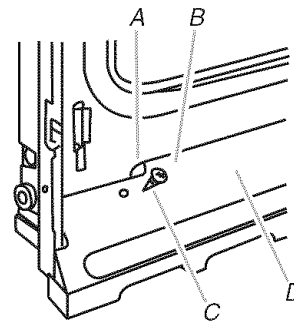
3. On models with shipping feet, use a Phillips screwdriver to remove screws attaching the shipping feet.
4. Push oven completely into cabinet and center oven into cabinet cutout.

5. Securely fasten oven to cabinet using the # 8-14 x 1" screws (2 for single oven, 4 for double oven) provided. Insert the screws through holes in mounting rails. Do not overtighten screws.



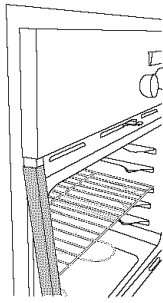
A. # 8-14 x 1" screws

6. On some models, the oven vent is taped to the side of the oven. See the following instructions to install.
  - Insert the vent tabs (B) into slots (A) in the oven frame.
  - With one # 8-18 x 3/8" screw (C) for each side of the vent, fasten vent securely to the oven.

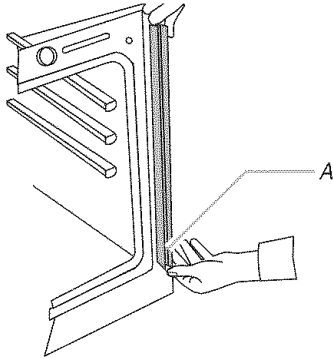


A. Oven frame slot  
B. Vent tab  
C. # 8-18 x 3/8" screw  
D. Oven vent

- Slide top end of each trim piece upward onto oven side rails.



- Push each trim piece into place at bottom of trim.



A. Push trim into place and replace screw.

- Use screws to attach each trim piece to oven.
- Replace oven racks.
- Replace oven door by inserting ends of hinges into hinge slots in the oven frame.
- Push hinges in as far as they will go and open the oven door. You should feel the oven door drop into place.
- Rotate both hinge latches back to the locked position.
- Check that door is free to open and close. If it is not, repeat the removal and installation procedures. See "Remove Oven Trim" section.
- Repeat for lower oven door.
- Reconnect power.
- Display panel will light briefly, and "PF" should appear in the display.
- If display panel does not light, please reference the "Assistance or Service" section of the Use and Care Guide or contact the dealer from whom you purchased your oven.

## Complete Installation

- Check that all parts are now installed. If there is an extra part, go back through the steps to see which step was skipped.
- Check that you have all of your tools.
- Dispose of/recycle all packaging materials.
- For oven use and cleaning, read the Use and Care Guide.

### Check Operation of Single Oven

- Turn power on. "PF" should appear in the display.
- Press BROIL. "BROIL" will appear in the display.
- Press START. Make sure the oven door is closed and the "ON" light is shown in the display.

#### If oven(s) does not operate, check the following:

- Household fuse is intact and tight; or circuit breaker has not tripped.
  - Electrical supply is connected.
  - See "Troubleshooting" section in the Use and Care Guide.
- When oven has been on for 5 minutes, feel for heat. If you do not feel heat or if an "F" followed by a number appears in the display, turn off the oven and contact a qualified technician.
  - Press CANCEL.

### Check Operation of Double Oven

- Turn power on. "PF" should appear in the display.
- Press UPPER OVEN or LOWER OVEN, to select the oven you are testing.
- Repeat "Check Operation of Single Oven" steps 2-5.

To set the clock and other oven functions, refer to the Use and Care Guide.

#### If you need Assistance or Service:

Please reference the "Assistance or Service" section of the Use and Care Guide or contact the dealer from whom you purchased your built-in oven.