

# GAS COOKTOP INSTALLATION INSTRUCTIONS



**INSTALLATION AND SERVICE MUST BE PERFORMED BY  
A QUALIFIED INSTALLER.**

**IMPORTANT: SAVE FOR LOCAL ELECTRICAL INSPECTOR'S USE.  
READ AND SAVE THESE INSTRUCTIONS FOR FUTURE REFERENCE.**

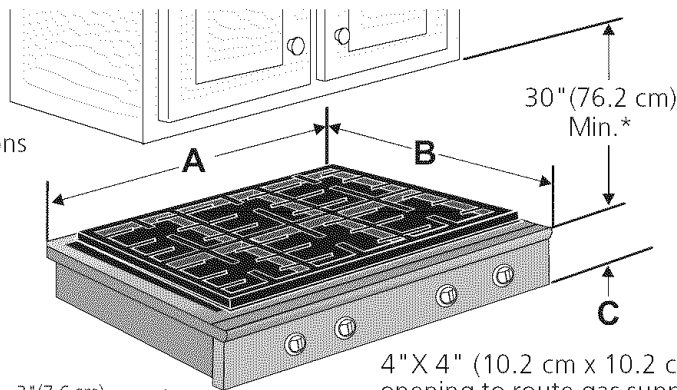
**⚠ WARNING** If the information in this manual is not followed exactly, a fire or explosion may result causing property damage, personal injury or death.

**FOR YOUR SAFETY:**

- Do not store or use gasoline or other flammable vapors and liquids in the vicinity of this or any other appliance.
- **WHAT TO DO IF YOU SMELL GAS:**
  - Do not try to light any appliance.
  - Do not touch any electrical switch; do not use any phone in your building.
  - Immediately call your gas supplier from a neighbor's phone. Follow the gas supplier's instructions.
  - If you cannot reach your gas supplier, call the fire department.
- Installation and service must be performed by a qualified installer, service agency or the gas supplier.

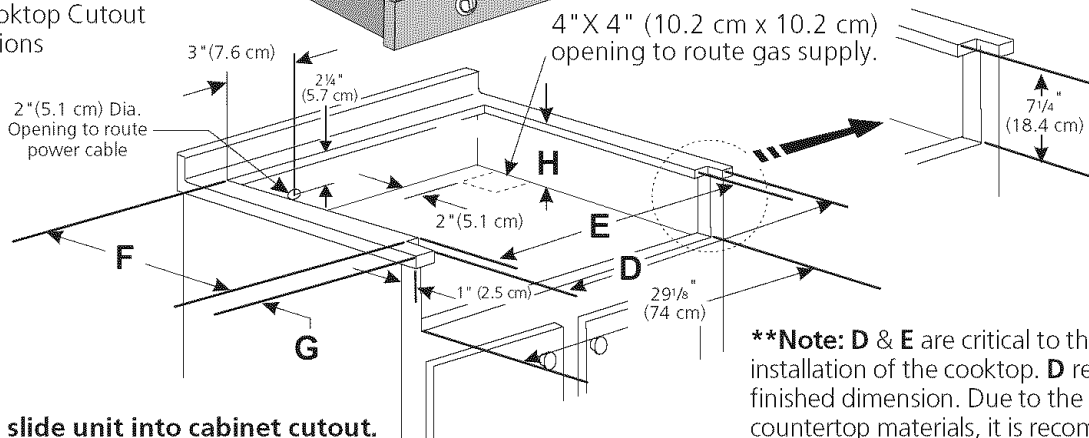
For Standard Installation:

Gas Cooktop Dimensions



\* 30" (76.2 cm) min. for unprotected cabinet and 24" (61 cm) min. for cabinet with protected bottom surface.

Gas Cooktop Cutout Dimensions



**Do not slide unit into cabinet cutout. Protruding screws on the bottom of unit may damage the bottom front finish.**

**\*\*Note: D & E are critical to the proper installation of the cooktop. D reflects the finished dimension. Due to the variation in countertop materials, it is recommended to first undercut this dimension, and then adjust it upon installation of the cooktop.**

**Figure 1**

| MODEL     | A. LENGTH                             | B. WIDTH  | C. DEPTH                             | CUTOUT DIMENSIONS                     |  |           | H. DEPTH BELOW COOKTOP                   |                                      |
|-----------|---------------------------------------|-----------|--------------------------------------|---------------------------------------|--|-----------|--|--------------------------------------|
|           |                                       |           |                                      | LENGTH                                | WIDTH                                  |           |  |                                      |
|           |                                       |           |                                      | D**                                   | E**                                    | F         | G  |                                      |
| 30 (76.2) | 29 <sup>7</sup> / <sub>8</sub> (75.9) | 25 (63.5) | 7 <sup>3</sup> / <sub>4</sub> (19.7) | 29 <sup>15</sup> / <sub>16</sub> (76) | 29 <sup>9</sup> / <sub>16</sub> (74.1) | 22 (55.9) | 1 <sup>1</sup> / <sub>8</sub> (2.9) Max. | 7 <sup>1</sup> / <sub>2</sub> (19.1) |

All dimensions are stated in inches and (cm).

**NOTE: Wiring diagrams for this cooktop are enclosed in this booklet**

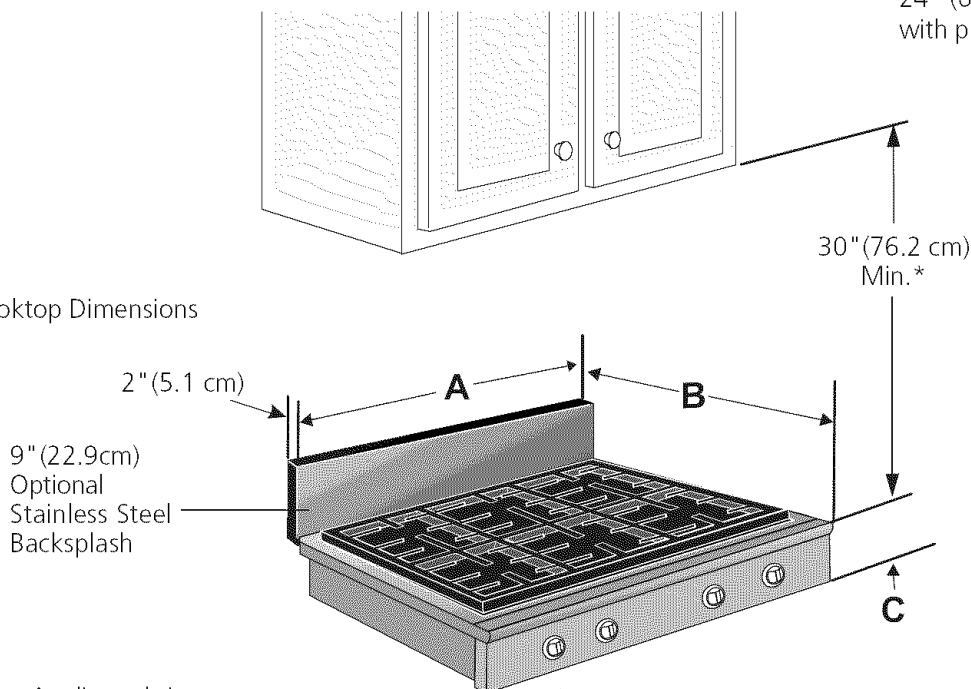
318201473 (0708) Rev. C  
English - pages 1-8  
Español - páginas 9-16  
Wiring Diagram page - 8

# GAS COOKTOP INSTALLATION INSTRUCTIONS

For Installation with the optional Stainless Steel Backsplash.

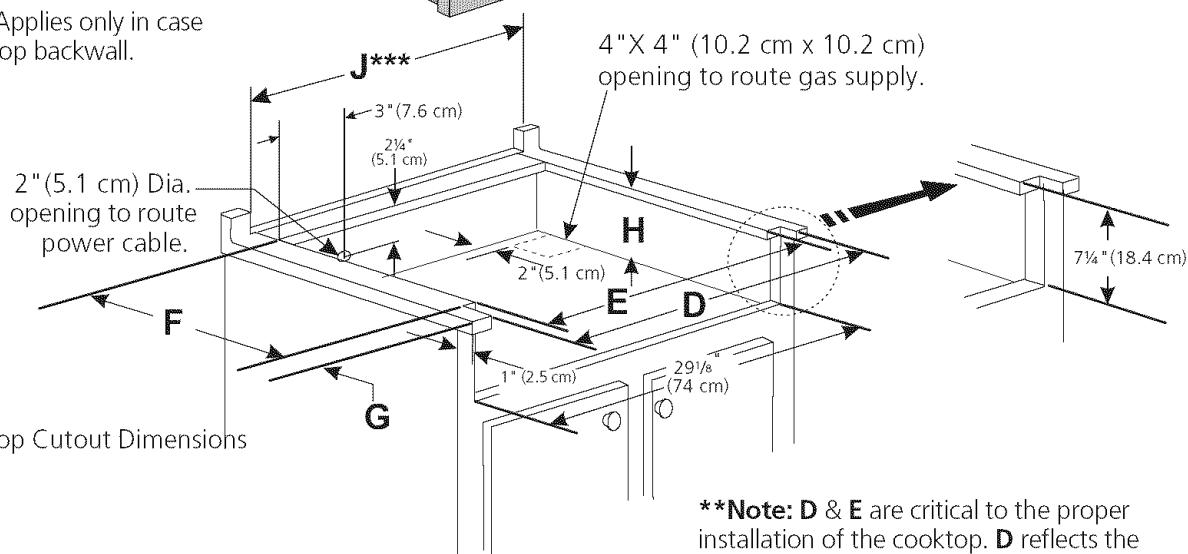
\* 30" (76.2 cm) min. for unprotected cabinet and 24" (61 cm) min. for cabinet with protected bottom surface.

## Gas Cooktop Dimensions



\*\*\*Note: Applies only in case of countertop backwall.

## Gas Cooktop Cutout Dimensions



\*\*Note: D & E are critical to the proper installation of the cooktop. D reflects the finished dimension. Due to the variation in countertop materials, it is recommended to first undercut this dimension, and then adjust it upon installation of the cooktop.

**Do not slide unit into cabinet cutout. Protruding screws on the bottom of unit may damage the bottom front finish.**

Figure 2

| MODEL     | A. LENGTH                             | B. WIDTH  | C. DEPTH                             | CUTOUT DIMENSIONS                     |  |           |  | H. DEPTH BELOW COOKTOP               | J. COUNTERTOP BACKWALL CUTOUT         |
|-----------|---------------------------------------|-----------|--------------------------------------|---------------------------------------|--|-----------|--|--------------------------------------|---------------------------------------|
|           |                                       |           |                                      | D**                                   | E**                                    | F         | G  |                                      |                                       |
| 30 (76.2) | 29 <sup>7</sup> / <sub>8</sub> (75.9) | 25 (63.5) | 7 <sup>3</sup> / <sub>4</sub> (19.7) | 29 <sup>15</sup> / <sub>16</sub> (76) | 29 <sup>3</sup> / <sub>16</sub> (74.1) | 22 (55.9) | 1 <sup>1</sup> / <sub>8</sub> (2.9) Max. | 7 <sup>1</sup> / <sub>2</sub> (19.1) | 29 <sup>15</sup> / <sub>16</sub> (76) |

All dimensions are stated in inches and (cm).

# GAS COOKTOP INSTALLATION INSTRUCTIONS

## Important Notes to the Installer

1. Read all instructions contained in these installation instructions before installing the cooktop.
2. Remove all packing material before connecting the electrical supply to the cooktop.
3. Observe all governing codes and ordinances.
4. Be sure to leave these instructions with the consumer.
5. Note: For operation at 2000 ft. elevations above sea level, appliance rating shall be reduced by 4 percent for each additional 1000 ft.

## Important Note to the Consumer

Keep these instructions with your Use and Care Guide for future reference.

## Depth Adjustment Filler Kit #903051-9100

This cooktop is designed to replace existing unit. If the depth of your countertop opening is bigger than 7¼" (18.4 cm) and less than 8½" (21.6 cm) you can order a free filler kit #903051-9100 by calling Sears Parts & Repair Center at 1-800-4-MY-HOME®.

## Optional Item Available:

- A 9" (22.9cm) Stainless Steel Backsplash Kit #903048-9100  
This kit can be ordered for purchase through Sears Parts & Repair Center at 1-800-4-MY-HOME®.

# IMPORTANT SAFETY INSTRUCTIONS

Installation of this cooktop must conform with local codes or, in the absence of local codes, with the National Fuel Gas Code ANSI Z223.1/NFPA54—latest edition in the United States, or in Canada, with the Canadian Fuel Gas Code, CAN/CGA B149 and CAN/CGA B149.2.

- When installed in a manufactured (mobile) home installation must conform with the Manufactured Home Construction and Safety Standard, title 24 CFR, part 3280 [Formerly the Federal Standard for Mobile Home Construction and Safety, title 24, HUD (part 280)] or, when such standard is not applicable, the Standard for Manufactured Home Installation, ANSI/NCSBCS A225.1 or with local codes where applicable.

This cooktop has been design certified by CSA International. As with any appliance using gas and generating heat, there are certain safety precautions you should follow. You will find them in the **Use and Care Guide**, read it carefully.

- Be sure your cooktop is installed and grounded properly by a qualified installer or service technician.
- This cooktop must be electrically grounded in accordance with local codes or, in their absence, with the National Electrical Code ANSI/NFPA No. 70—latest edition in the United States, or in Canada, with the Canadian Electrical Code, CSA C22.1 Part 1.
- The burners can be lit manually during an electrical power outage. To light a burner, hold a lit match to the burner head, then slowly turn the Surface Control knob to LITE. Use caution when lighting burners manually.
- Do not store items of interest to children in cabinets above the cooktop. Children could be seriously burned climbing on the cooktop to reach items.
- To eliminate the need to reach over the surface burners, cabinet storage space above the burners should be avoided.
- Adjust surface burner flame size so it does not extend beyond the edge of the cooking utensil. Excessive flame is hazardous.
- Never use your cooktop for warming or heating the room. Prolonged use of the cooktop without adequate ventilation can be hazardous.
- Do not store or use gasoline or other flammable vapors and liquids near this or any other appliance. Explosions or fires could result.

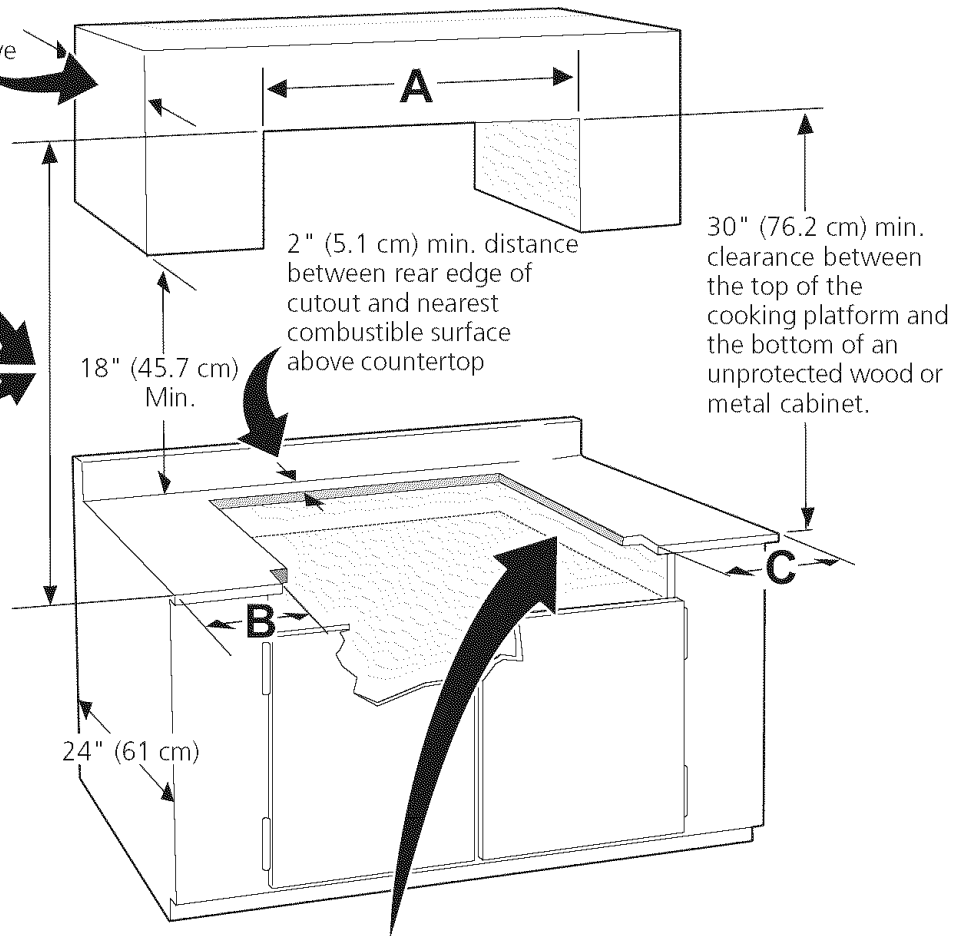
**⚠ WARNING** The electrical power to the cooktop must be shut off while gas line connections are being made. Failure to do so could result in serious injury or death.

# GAS COOKTOP INSTALLATION INSTRUCTIONS

13" (33 cm) max. depth for cabinet installed above cooktop

30" (76.2 cm) Min. Clearance Between the Top of the Cooking Platform and the Bottom of an Unprotected Wood or Metal Cabinet

24" (61 cm) Min. when Bottom of Wood or Metal Cabinet is Protected by Not Less Than 1/8" Flame Retardant Millboard Covered With Not Less Than No. 28 MGS Sheet Steel, 0.015" (0.4 mm) Stainless Steel, 0.024" (0.6 mm) Aluminum or 0.020" (0.5 mm) Copper



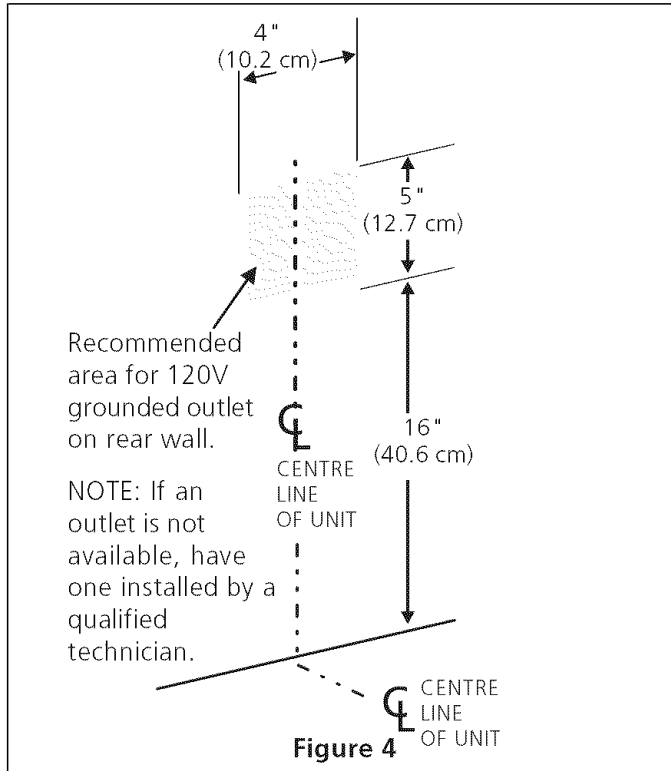
**CAUTION** To eliminate the risk of burns or fire from reaching over heated surfaces, cabinet storage space located above the cooktop should be avoided. If cabinet storage is provided, risk can be reduced by installing a range hood that projects horizontally a minimum of 7" (17.8 cm) beyond the bottom of the cabinets.

| MODEL         | A             | B. Minimum Clearance from Left Side | C. Minimum Clearance from Right Side |
|---------------|---------------|-------------------------------------|--------------------------------------|
| 30" (76.2 cm) | 30" (76.2 cm) | 5" (12.7 cm)                        | 5" (12.7 cm)                         |

Figure 3 – CABINET DESIGN

# GAS COOKTOP INSTALLATION INSTRUCTIONS

## Wall Outlet Location



## Provide an Adequate Gas Supply

This cooktop is designed to operate on natural gas at 4" (10.2 cm) of manifold pressure only.

A pressure regulator is connected in series with the manifold on the cooktop and must remain in series with the supply line.

**For proper operation,** the maximum inlet pressure to the regulator must be no more than 14" (35.6 cm) of water column (W.C.) pressure.

For checking the regulator, the inlet pressure must be at least 1" (2.5 cm) (or 2.5 kPa) greater than the regulator manifold pressure setting. The regulator is set for 4" (10.2 cm) of manifold pressure, the inlet pressure must be at least 5" (12.7 cm).

The gas supply line to the appliance should be 1/2" (1.3 cm) or 3/4" (1.9 cm) pipe.

## LP/Propane Gas Conversion

This appliance can be used with Natural gas or LP/Propane gas. It is shipped from the factory for use with natural gas.

A kit for converting to LP gas is supplied with your cooktop. The kit is marked "FOR LP/PROPANE GAS CONVERSION".

The conversion must be performed by a qualified service technician in accordance with the kit instructions and all local codes and requirements. Failure to follow instructions could result in serious injury or property damage. The qualified agency performing this work assumes responsibility for the conversion.

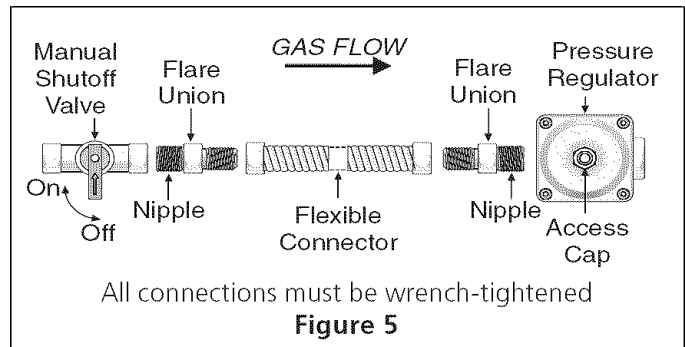
**⚠ WARNING** Failure to make the appropriate conversion can result in serious personal injury and property damage.

**Important:** Remove all packing material and literature from cooktop before connecting gas and electrical supply to cooktop.

## Install Pressure Regulator

Install the pressure regulator with the arrow on the regulator pointing up toward the unit in a position where you can reach the access cap.

**⚠ WARNING** Do not make the connection too tight. The regulator is die cast. Overtightening may crack the regulator resulting in a gas leak and possible fire or explosion.

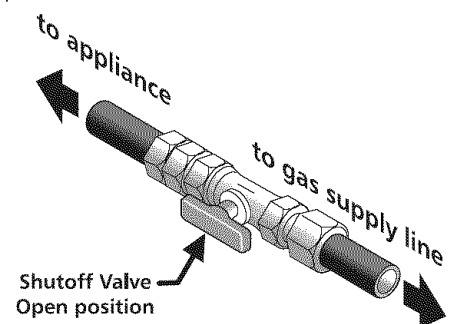


Assemble the flexible connector from the gas supply pipe to the pressure regulator in the following order:

1. manual shutoff valve
2. 1/2" (1.3 cm) nipple
3. 1/2" (1.3 cm) flare union adapter
4. flexible connector
5. 1/2" (1.3 cm) flare union adapter
6. 1/2" (1.3 cm) nipple
7. pressure regulator

Use pipe-joint compound made for use with Natural and LP/Propane gas to seal all gas connections. If flexible connectors are used, be certain connectors are not kinked.

The supply line should be equipped with an approved shutoff valve. This valve should be located in the same room as the cooktop and should be in a location that allows ease of opening and closing. Do not block access to the shutoff valve. The valve is for turning on or shutting off gas to the appliance.



# GAS COOKTOP INSTALLATION INSTRUCTIONS

Once the regulator is in place, open the shutoff valve in the gas supply line. Wait a few minutes for gas to move through the gas line.

**Check for leaks.** After connecting the cooktop to the gas supply, check the system for leaks with a manometer. If a manometer is not available, turn on the gas supply and use a liquid leak detector (or soap and water) at all joints and connections to check for leaks.

**⚠ WARNING** Do not use a flame to check for leaks from gas connections. Checking for leaks with a flame may result in a fire or explosion.

**Tighten all connections** if necessary to prevent gas leakage in the cooktop or supply line.

**Check alignment of control knob valves** after connecting the cooktop to the gas supply to be sure the cooktop manifold pipe has not moved. A misalignment could cause the valve stems to rub on the control panel, resulting in a gas leak at the valve.

**Disconnect this cooktop and its individual shutoff valve** from the gas supply piping system during any pressure testing of that system at test pressures greater than 1/2 psig (3.5 kPa or 14" (35.6 cm) water column).

**Isolate the cooktop from the gas supply piping system** by closing its individual manual shutoff valve during any pressure testing of the gas supply piping system at test pressures equal to or less than 1/2 psig (3.5 kPa or 14" (35.6 cm) water column).

## Electrical Requirements

120 volt, 60 Hertz, properly grounded branch circuit protected by a 15 amp circuit breaker or time delay fuse.

**Do not use an extension cord with this cooktop.**

## Grounding Instructions

**IMPORTANT** Please read carefully.

**For personal safety, this appliance must be properly grounded.**

The power cord of this appliance is equipped with a 3-prong (grounding) plug which mates with a standard 3-prong grounding wall receptacle (see Figure 7) to minimize the possibility of electric shock hazard from the appliance.

### Preferred Method

**Grounding type wall receptacle**

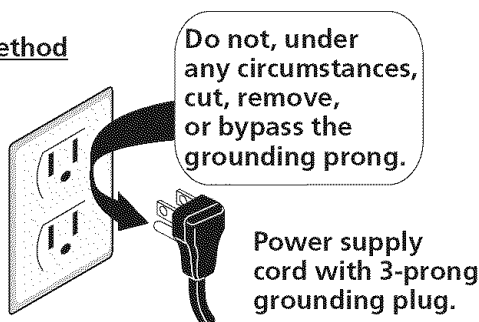


Figure 7

The wall receptacle and circuit should be checked by a qualified electrician to make sure the receptacle is properly grounded.

Where a standard 2-prong wall receptacle is installed, it is the personal responsibility and obligation of the consumer to have it replaced by a properly grounded 3-prong wall receptacle.

**Do not, under any circumstances, cut or remove the third (ground) prong from the power cord.**

**⚠ WARNING** Disconnect electrical supply cord from wall receptacle before servicing cooktop.

## Cooktop Installation

1. Visually inspect the cooktop for damage.
2. If you are installing the optional Stainless Steel backsplash, first fix it at the back of the cooktop using the screws supplied with the kit and follow the instructions attached.
3. Set the cooktop into the countertop cutout.

**NOTE:** Do not use caulking compound; cooktop should be removable for service when needed.

## Check Operation

Refer to the **Use and Care Guide** packaged with the cooktop for operating instructions and for care and cleaning of your cooktop.

**⚠ CAUTION** Do not touch the burners. They may be hot enough to cause burns.

### 1. Install Burner Caps

This cooktop is equipped with sealed burners as shown (see Figure 8).

- A. Unpack your burner heads and burner caps.
- B. Place burner head over each gas orifice, matching the head with the orifice size. **Be careful not to damage the electrode while placing the head over the orifice.** Make sure electrode fits correctly into slot in burner head.
- C. Place a burner cap on each burner head, matching the cap size to the head size. Each burner cap has an inner locating ring which centers the cap correctly on the burner head.
- D. Be sure that all the burner caps and burner heads are correctly placed BEFORE using your cooktop.

**NOTE:** There are no burner adjustments necessary on this cooktop.

# GAS COOKTOP INSTALLATION INSTRUCTIONS

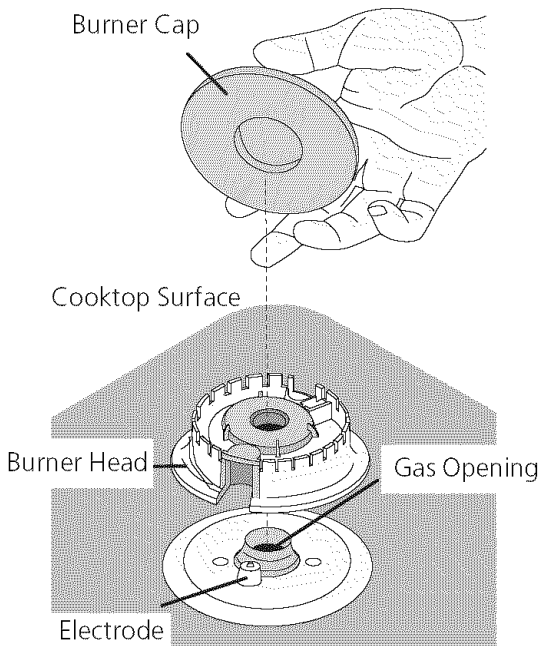


Figure 8

## 2. Turn on Electrical Power and Open Main Shutoff Gas Valve

### 3. Check the Igniters

Operation of electric igniters should be checked after the appliance and supply line connectors have been carefully checked for leaks and the appliance has been connected to electric power. To check for proper lighting:

- Push in and turn a surface burner knob to the LITE position. All electronic surface igniters will spark at the same time. However, only the burner you are turning on will ignite.
- The surface burner should light once the flow of gas reached the surface burner. Each burner should light within four (4) seconds in normal operation after air has been purged from supply lines. Visually check that burner has lit.
- Once the burner lights, the control knob should be rotated out of the LITE position.

There are separate ignition devices for each burner. Try each knob separately until all burner valves have been checked.

## 4. Adjust the "LOW" Setting of Regular Surface Burner Valves (Figure 9):

- Push in and turn control to LITE until burner ignites.
- Quickly** turn knob to LOWEST POSITION.
- If burner goes out, reset control to OFF.
- Remove the surface burner control knob.
- Insert a thin-bladed screwdriver into the hollow valve stem and engage the slotted screw inside. Flame size can be increased or decreased by turning the screw. Turn counterclockwise to increase flame size. Turn clockwise to decrease flame size. Adjust flame until

you can quickly turn knob from LITE to LOWEST POSITION without extinguishing the flame. Flame should be as small as possible without going out.

**Note:** Air mixture adjustment is not required on surface burners.

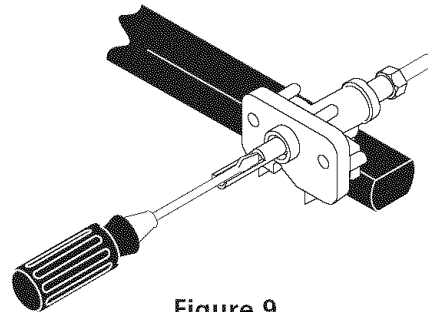


Figure 9

## 5. Adjust the "LOW" Setting of the Dual (Bridge) Surface Burner Valve (Figure 10):

Note: On the dual valve the low setting of each portion (rear portion of bridge burner and the center portion of bridge burner) should be adjusted individually.

- Push in and turn control to LITE until the rear portion of the bridge burner ignites only.
- Quickly** turn knob to LOWEST POSITION.
- If burner goes out, reset control to OFF.
- Remove the surface burner control knob.
- The rear portion of the bridge burner flame size can be increased or decreased by turning screw **A** (see Figure 10). Use screw **B** to adjust the flame size of the center portion of the bridge burner. Turn counterclockwise the screw to increase flame size. Turn clockwise the screw to decrease flame size. Adjust flame until you can quickly turn knob from LITE to LOWEST POSITION without extinguishing the flame. Flame should be as small as possible without going out.

**Note:** Air mixture adjustment is not required on surface burners.

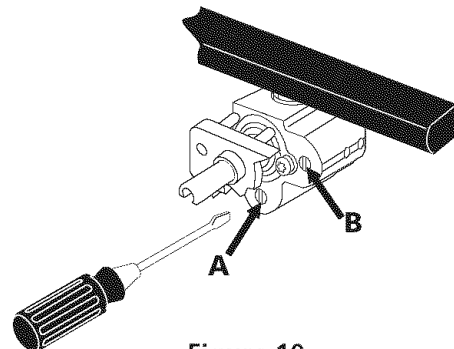


Figure 10

# GAS COOKTOP INSTALLATION INSTRUCTIONS

## When All Hookups are Complete

Make sure all controls are left in the OFF position.

## Model and Serial Number Location

The serial plate is located under the cooktop burner box.

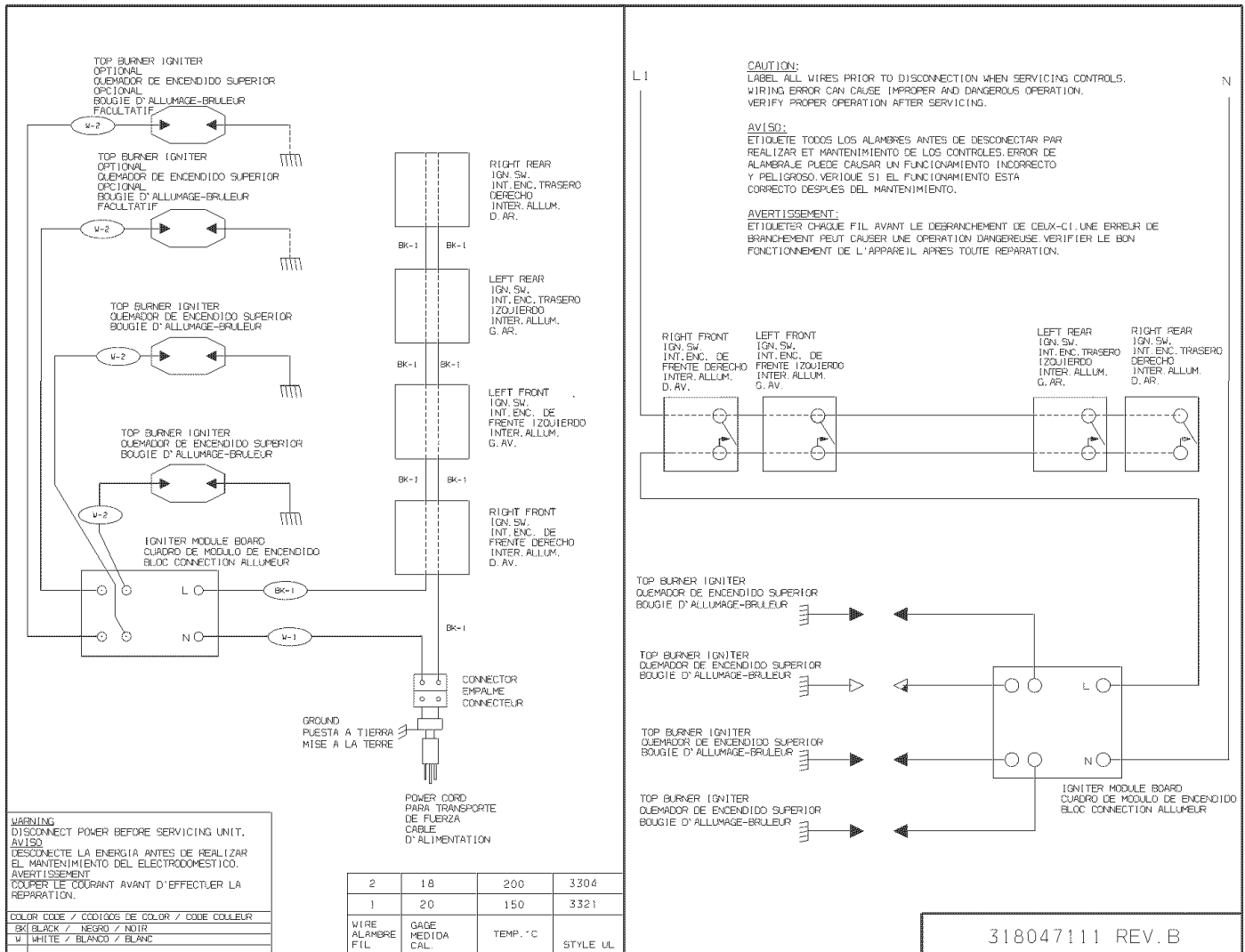
When ordering parts for or making inquiries about your oven, always be sure to include the model and serial numbers and a lot number or letter from the serial plate on your oven.

## Before You Call for Service

Read the Before You Call for Service Checklist and operating instructions in your **Use and Care Guide**. It may save you time and expense. The list includes common occurrences that are not the result of defective workmanship or materials in this appliance.

Refer to your **Use and Care Guide** for Sears service phone numbers, or call **1-800-4-MY-HOME®**.

## Gas Cooktop Wiring Diagram:





# INSTRUCCIONES DE INSTALACION PARA PLANCHA DE COCINAR A GAS



LA INSTALACIÓN Y EL SERVICIO DEBEN SER REALIZADOS POR UN INSTALADOR CALIFICADO.  
**IMPORTANTE: GUARDE ESTAS INSTRUCCIONES PARA USO DEL INSPECTOR ELÉCTRICO LOCAL.**  
**LEA Y GUARDE ESTAS INSTRUCCIONES PARA FUTURAS REFERENCIAS**

**⚠ ADVERTENCIA** Si todas las instrucciones de éste manual no son observadas a la letra, se puede ocurrir incendios o explosiones que pueden causar daños materiales, lesiones o la muerte.

**PARA SU SEGURIDAD:**

- No almacene o utilice gasolina u otros vapores y líquidos inflamables cerca de éste o cualquier otro artefacto.
- **QUE HACER SI HAY FUGAS DE GASÆ**
  - No intente de encender ningún artefacto
  - No toque ningún interruptor eléctrico; no utilice ningún aparato telefónico en su edificio.
  - Llame inmediatamente el abastecedor de gas desde el teléfono de un vecino. Siga las instrucciones del abastecedor de gas.
  - En caso que no puede contactar el abastecedor de gas llame al departamento de bomberos.
- La instalación y el servicio telefónico deben ser realizados por un instalador calificado, por un servicio tecnico certificado o por el abastecedor de gas.

Para la Instalación Estándar:

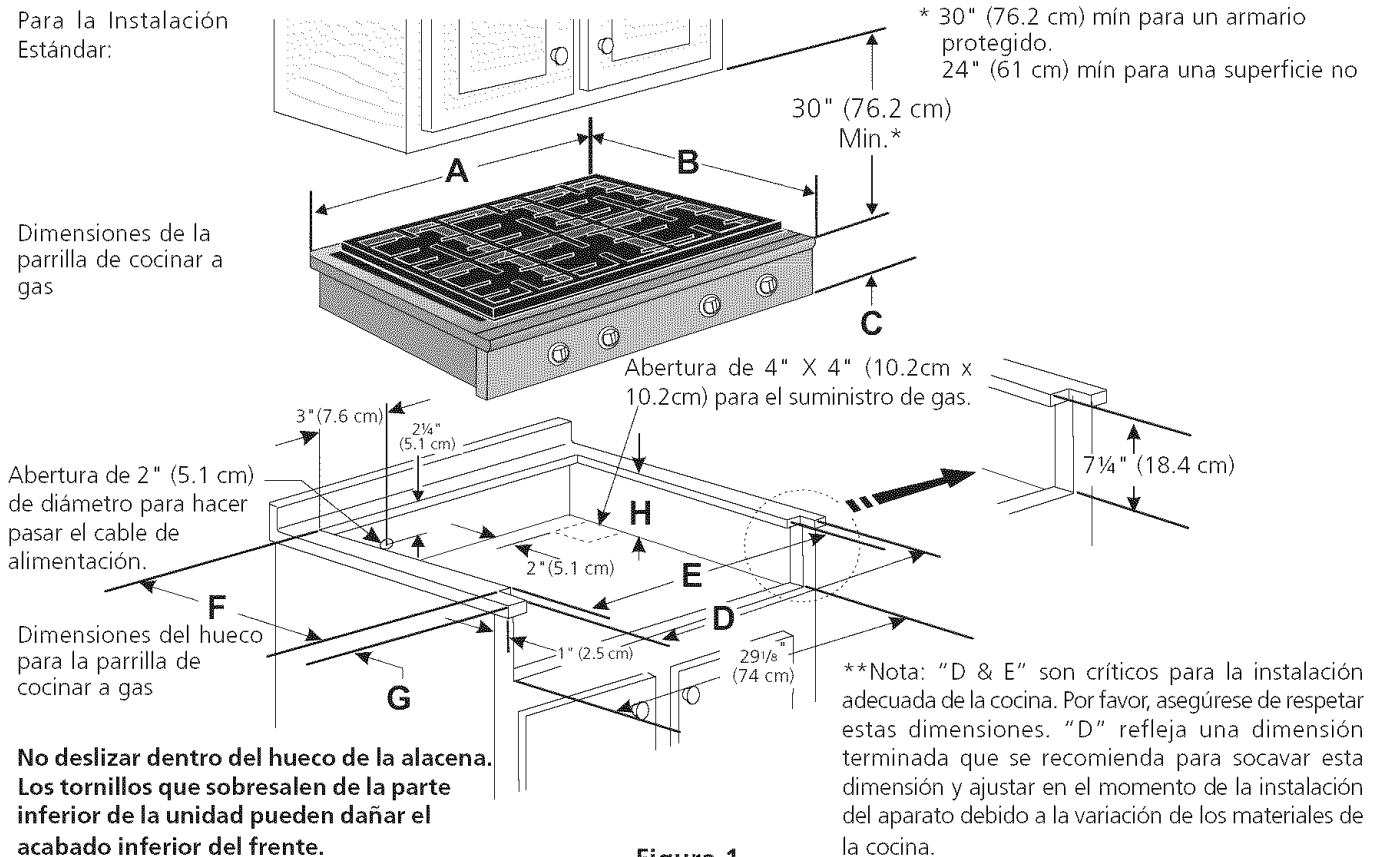


Figura 1

| MODELO    | A. ALTURA     | B. ANCHURA | C. PROFUNDIDAD | DIMENSIONES DEL HUECO |                | H. PROFUNDIDAD POR DEBAJO DE LA PLANCHA DE COCINAR |                 |              |
|-----------|---------------|------------|----------------|-----------------------|----------------|--|-----------------|--------------|
|           |               |            |                | ALTURA                | ANCHURA        | F  | G               |              |
| 30 (76.2) | 29 7/8 (75.9) | 25 (63.5)  | 7 3/4 (19.7)   | D**                   | E**            | F  | G               | H            |
|           |               |            |                | 29 15/16 (76)         | 29 3/16 (74.1) | 22 (55.9)  | 1 1/8 (2.9) Max | 7 1/2 (19.1) |

Todas las dimensiones se dan en pulgadas (cm).  
 La dimensión F incluye un espacio de 5" por debajo de la plancha de cocinar para la conexión de la línea de suministro de gas.

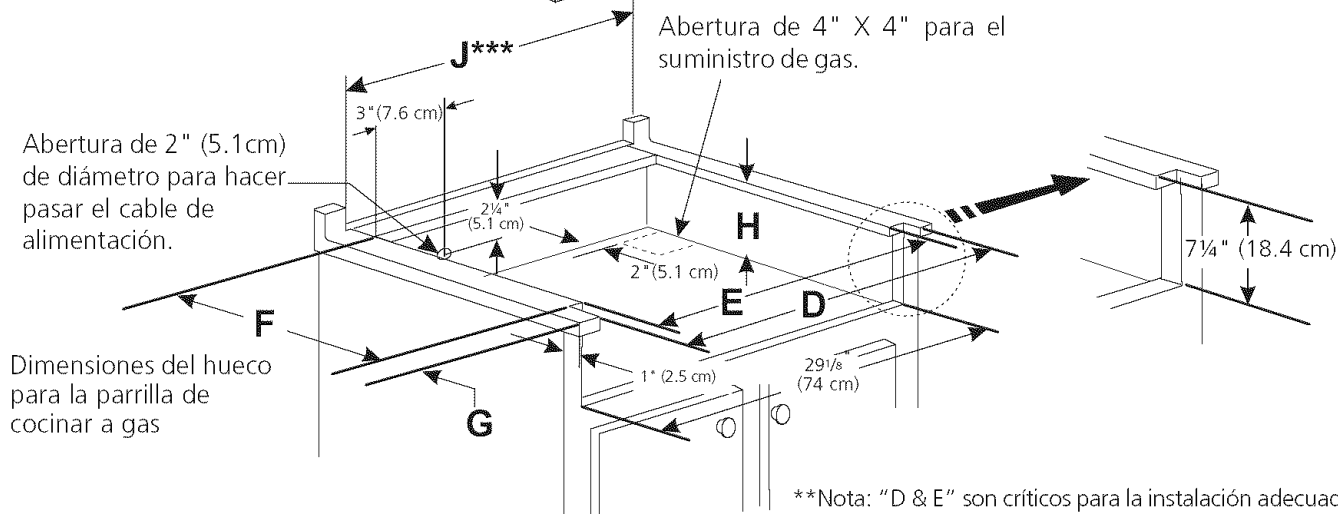
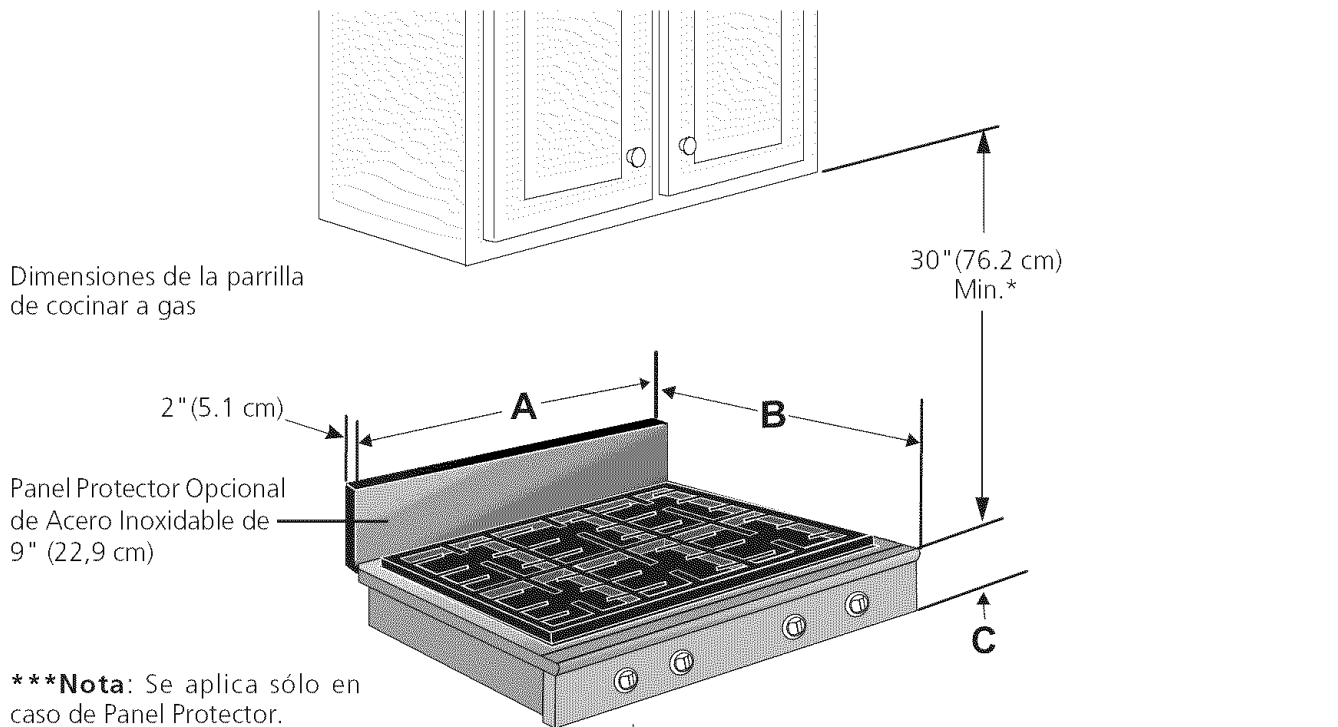
**NOTA: Se adjunta los diagramas de cables de esta plancha de cocinar con el libreta.**

318201473 (0708) Rev. C  
 English - pages 1-8  
 Español - páginas 9-16  
 Diagrama de la instalación alámbrica página - 16

# INSTRUCCIONES DE INSTALACION PARA PLANCHA DE COCINAR A GAS

Para ver la Instalación con el Panel Protector Opcional de Acero Inoxidable.

\* 30" (76.2 cm) mín para un armario protegido.  
24" (61 cm) mín para una superficie no protegida.



**No deslizar dentro del hueco de la alacena. Los tornillos que sobresalen de la parte inferior de la unidad pueden dañar el acabado inferior del frente.**

\*\*Nota: "D & E" son críticos para la instalación adecuada de la cocina. Por favor, asegúrese de respetar estas dimensiones. "D" refleja una dimensión terminada que se recomienda para socavar esta dimensión y ajustar en el momento de la instalación del aparato debido a la variación de los materiales de la cocina.

Figura 2

| MODELO    | A. ALTURA     | B. ANCHURA | C. PROFUNDIDAD | DIMENSIONES DEL HUECO |                |           |                  | H. PROFUNDIDAD POR DEBAJO DE LA PLANCHA DE COCINAR | J. HUECO DEL PANEL PROTECTOR |
|-----------|---------------|------------|----------------|-----------------------|----------------|-----------|------------------|--|------------------------------|
|           |               |            |                | D**                   | E**            | F         | G                |  |                              |
| 30 (76.2) | 29 7/8 (75.9) | 25 (63.5)  | 7 3/4 (19.7)   | 29 15/16 (76)         | 29 3/16 (74.1) | 22 (55.9) | 1 1/8 (2.9) Max. | 7 1/2 (19.1)                                       | 29 15/16 (76)                |

Todas las dimensiones se dan en pulgadas (cm).

# INSTRUCCIONES DE INSTALACION PARA PLANCHA DE COCINAR A GAS

## Notas importantes para el instalador:

1. Lea todas las instrucciones de instalación antes de realizar la instalación de la plancha de cocinar.
2. Retire todos los artículos de embalaje antes de realizar las conexiones eléctricas a la plancha de cocinar.
3. Observe todos los códigos o reglamentos estatales.
4. Asegúrese que el consumidor tenga estas instrucciones.
5. NOTA: Para la utilización a más de 2 000 pies de altura, la potencia del aparato deberá ser reducida de 4 por ciento a cada 1 000 pies adicionales.

## Notas importantes para el consumidor

Guarde todas las instrucciones con su manual del usuario para futuras referencias.

## Juego de Relleno para Ajuste de Profundidad #903051-9100

Esta cocina ha sido diseñada para reemplazar la unidad existente. Si la profundidad de la abertura de su cocina es mayor que 7¼" (18,4 cm.) y menor que 8½" (21,6 cm.), puede ordenar un juego de relleno gratuito llamando al Centro de Partes y Reparación Sears al 1-888-SU-HOGAR<sup>SM</sup>.

## Accesorios Opcionales Disponibles:

- Juego de Panel Protector Opcional de Acero Inoxidable de 9" (22,9 cm) #903048-9100

Se puede ordenar a través del Centro de Partes y Reparación Sears, llamando al 1-888-SU-HOGAR<sup>SM</sup>.

## INSTRUCCIONES DE SEGURIDAD IMPORTANTES

La instalación de esta plancha de cocinar debe realizarse en conformidad con los códigos locales o, si estos no existen, con el National Fuel Gas Code ANSI Z223.1/ NFPA54 - última edición en los Estados Unidos, o en Canada, con el Canadian Fuel Gas Code, CAN/CGA B149 y CAN/CGA B149.2.

- La instalación de aparatos diseñados para instalación en casas prefabricadas (móviles) debe conformar con el Manufactured Home Construction and Safety Standard, título 24CFR, parte 3280 [Anteriormente el Federal Standard for Mobil Home Construction and Safety, título 24, HUD (parte 280)] o cuando tal estándar no se aplica, el Standard for Manufactured Home Installation, ANSI/NCSBCS 225.1, o con los códigos locales.

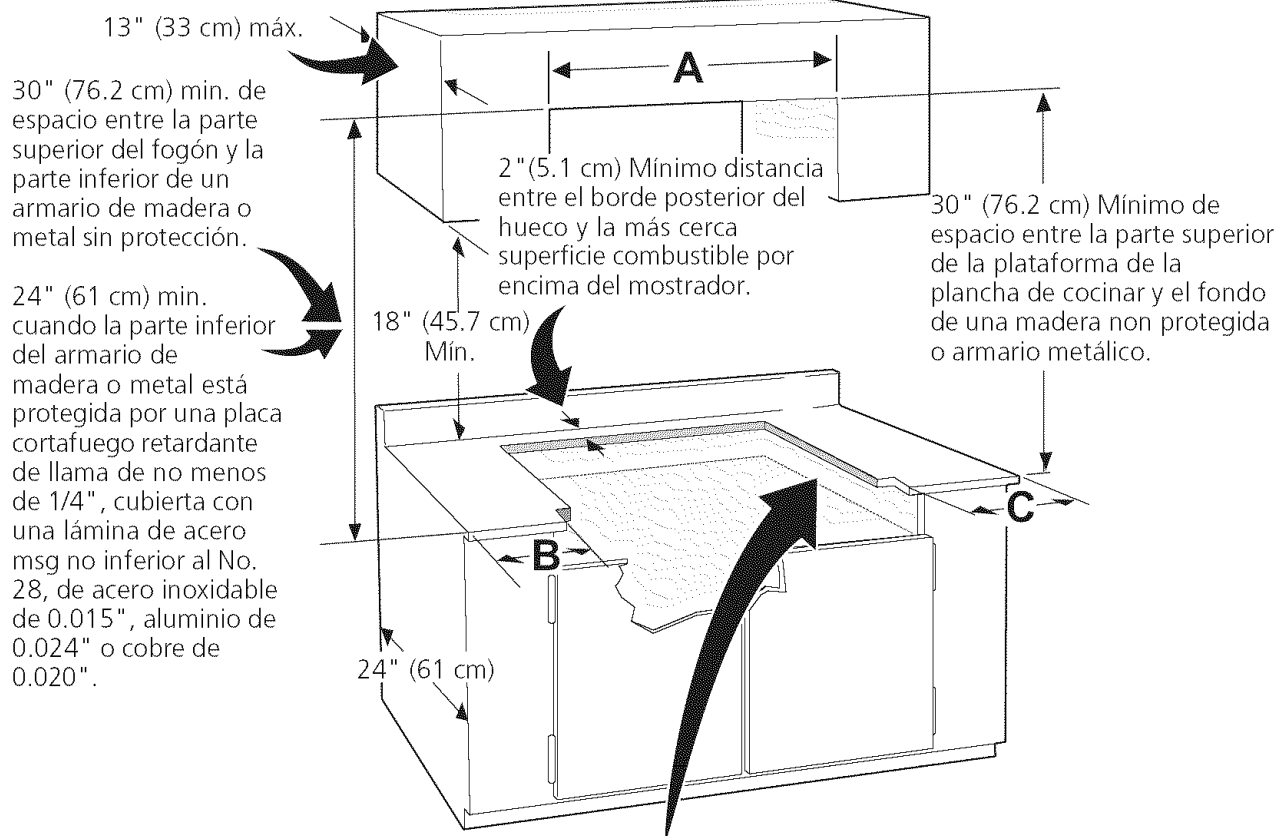
El diseño de esta plancha de cocinar cuenta con la aprobación del CSA internacional. Al igual que todos los artefactos a gas que generan calor, deben seguirse ciertas

medidas de seguridad. Vienen con el Manual del Usuario. Lea atentamente el manual.

- **Asegúrese que la plancha de cocinar sea instalada y puesta a tierra correctamente por un instalador o técnico calificado.**
- **La plancha de cocinar debe conectarse eléctricamente a tierra de acuerdo con los códigos locales o, de no existir, con el código eléctrico ANSI/NFPA No. 70 - última edición en los Estados Unidos, or in Canada, con el Canadian Electrical Code, CSA C22.1 Parte 1.**
- **Los quemadores pueden encenderse manualmente durante una interrupción del suministro eléctrico. Para encender un quemador, mantenga un fósforo encendido en el extremo del quemador, luego gire suavemente la perilla hasta LITE (encendido). Tenga cuidado al encender los quemadores en forma manual.**
- **No deje artículos que interesan los niños en los armarios que están sobre la la plancha de cocinar.** Les podría causar quemaduras graves si intentan subirse para alcanzarlos.
- **Para eliminar el riesgo de extender por encima de los quemadores superiores, debería evitar el espacio de almacenamiento del armario, localizado por encima de estos quemadores**
- **Gradue el tamaño de la llama de modo que no sobrepase el borde del utensilio de cocina.** Demasiada llama es peligrosa.
- **No utilice jamás la cocina como calefactor.** El uso prolongado de la cocina sin la ventilación adecuada puede ser peligroso.
- **Mantenga el área cerca de este artefacto o de cualquier otro artefacto despejada de sustancias combustibles, gasolina y otros líquidos inflamables.** Se puede ocurrir incendios o explosiones.

**⚠ ADVERTENCIA** El suministro eléctrico a la plancha de cocinar debe de ser cerrado durante las conexiones a la línea. De lo contrario se puede resultar lesiones graves o la muerte.

# INSTRUCCIONES DE INSTALACION PARA PLANCHA DE COCINAR A GAS



**PRECAUCION** Para eliminar el riesgo de alargar sobre los unidades en calentamiento de la superficie, debería evitarse el espacio de almacenamiento del armario, ubicado sobre las unidades de la superficie. Si se cuenta con este espacio, se puede disminuir el peligro instalando una cubierta de cocina que se extienda horizontalmente en 7" (17.8 cm) mínimo por sobre la parte inferior delantera en los armarios.

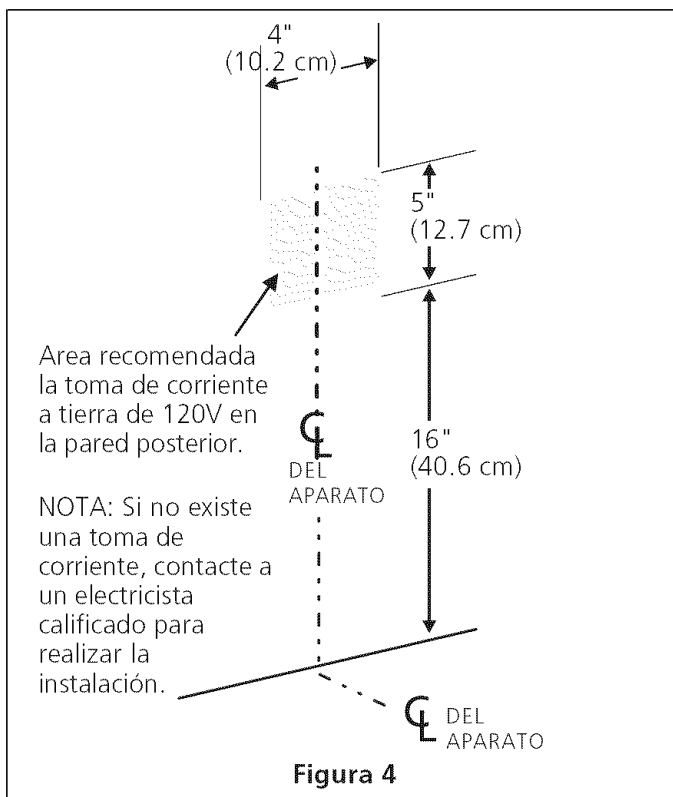
No es recomendable utilizar cajones debajo de la estufa.

| MODEL DE PLANCHA DE COCINAR DE | A             | B. Espacio mínimo desde el lado izquierdo | C. Espacio mínimo desde el lado derecho |
|--------------------------------|---------------|---|---|
| 30" (76.2 cm)                  | 30" (76.2 cm) | 5" (12.7 cm)                              | 5" (12.7 cm)                            |

Figura 3 – DESEÑO DEL ARMARIO

# INSTRUCCIONES DE INSTALACION PARA PLANCHA DE COCINAR A GAS

## Ubicación de la toma de corriente de la pared



## Provea un adecuado suministro de gas

Esta plancha de cocinar está diseñada para utilizar gas natural de 4" (10.2 cm) de presión múltiple solamente.

Se conecta un regulador de presión en serie al múltiple de la plancha de cocinar y debe permanecer en serie con la línea de suministro de gas.

**Para que manejo correcto**, la presión de entrada máxima hacia el regulador no debe exceder 14" (35.6 cm) de presión de la columna de agua.

Para controlar el regulador, la presión de entrada debe ser de al menos 1" (2.5 cm) (o 2.5 Kpa) mayor que el ajuste de la presión del múltiple del regulador. El regulador se ajusta a 4" (10.2 cm) de la presión del múltiple, la presión de entrada debe de ser de al menos 5" (12.7 cm).

La línea de suministro de gas por el horno debería tener un tubo de 1/2" (1.3 cm) o de 3/4" (1.9 cm).

## Conversión de gas propano/licuado

Esta plancha de cocinar ha sido diseñada para utilizar gas natural o gas propano. Ha sido fijada en la fábrica para utilizarse con gas natural.

Si desea hacer la conversión para utilizar el gas propano, use las piezas con orificios fijados provistos en el paquete del manual de instrucciones para la instalación en el paquete escrito "PARA LA CONVERSIÓN EN GAS PROPANO".

Para hacer la conversión del gas natural al gas propano, es necesario utilizar el servicio de un técnico calificado, in acuerdo con las instrucciones del fabricante y todos los códigos y reglamentos reguladores. Si todas las instrucciones no son observadas, se puede ocurrir severos lesiones o daños materiales. La agencia calificada que hace el trabajo asuma la responsabilidad para la conversión.

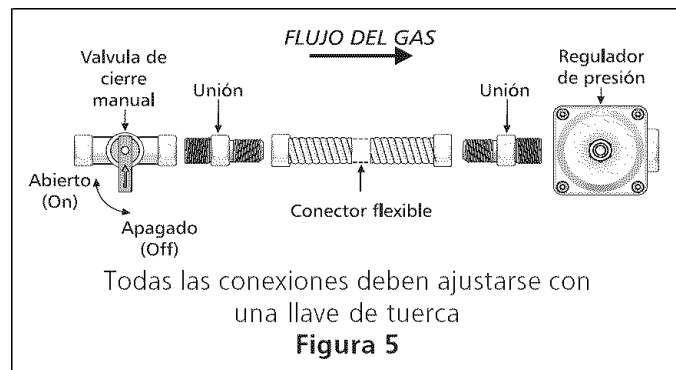
**PRECAUCION** Si la conversión apropiada no esta observada, se puede ocurrir severos lesiones o daños materiales.

**Importante:** Retire todos los artículos de embalaje y folletos de la cocina antes de realizar las conexiones de gas y eléctricas a la cocina.

## Instalación del regulador de presión

Instale el regulador de presión con la flecha del regulador apuntando hacia la unidad en una posición que permita alcanzar la tapa de entrada.

**PRECAUCION** No ajuste demasiado la conexión. El regular está fundida a presión. Al ajustar demasiado se puede romper el regulador causando una fuga de gas y un posible incendio o explosión.



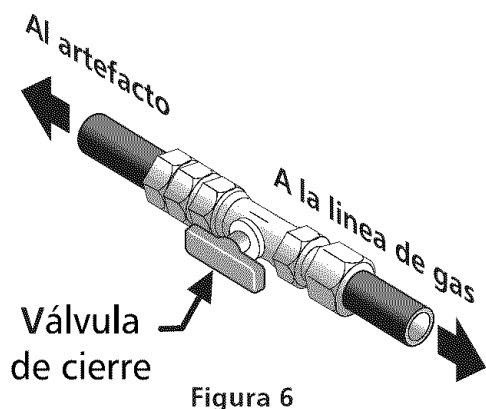
Monte el conector flexible del tubo del suministro de gas al regulador de presión en funcionamiento:

1. válvula de cierre manual
2. boquilla de 1/2" (1.3 cm)
3. adaptador de 1/2" (1.3 cm)
4. conector flexible
5. adaptador de 1/2" (1.3 cm)
6. boquilla de 1/2" (1.3 cm)
7. regulador de presión

Utilice un compuesto de tubo articulado para uso de gas natural y propano para sellar todas las conexiones de gas. Si se utilizan conectores flexibles, asegúrese que los conectores no están torcidos.

El tubo de suministro de gas debería incluir una válvula de cierre certificada. Esta válvula debería estar ubicada en la misma habitación de la plancha de cocinar y debería estar en un lugar que permita una abertura y cierre fáciles. No bloquee las entradas de la válvula de cierre. La válvula sirve para abrir o cerrar el paso del gas al artefacto.

# INSTRUCCIONES DE INSTALACION PARA PLANCHA DE COCINAR A GAS



Abra la válvula de cierre en el tubo de suministro de gas. Espere unos minutos para que el gas pase a través del tubo de gas.

## Verifique si hay fugas. Para verificar si hay fugas en el electrodoméstico se debe de seguir las instrucciones del fabricante.

Luego de conectar la cocina al gas, verifique el sistema con un manómetro. Si no cuenta con éste instrumento, dé la vuelta al suministro de gas de la cocina y utilice un detector de fugas líquidas (o agua y jabón) en todas las articulaciones y conexiones para verificar si existen fugas.

**⚠️ ADVERTENCIA** No use ningún tipo de llama para verificar si hay fugas de gas. Verifique si hay fugas con una llama puede ocasionar incendio o explosión.

**Ajuste todas las conexiones** en caso que sea necesario, para evitar fugas de gas en la cocina o en el tubo de suministro de gas.

**Verifique la alineación de las válvulas** luego de conectar la plancha de cocinar al suministro de gas para asegurar que no se ha movido la válvula del múltiple de la plancha de cocinar.

**Desconecte la cocina y su válvula de cierre individual** del sistema de tubería del suministro de gas durante cualquier ensayo de presión del sistema en ensayos de presión superiores a 1/2 psig (3.5 kPa o 14" columna de agua).

**Aparte la cocina del sistema de tubería del suministro de gas** cerrando su válvula de cierre individual manual, durante cualquier ensayo de presión del sistema de suministro de gas en ensayos iguales o inferiores a 1/2 psig (3.5 kPa o 14" columna de agua).

## Requerimientos eléctricos

Un circuito derivado conectado correctamente a tierra de 120 voltios, 60 Herz protegido por un interruptor automático de 15 amp o un fusible de retardo. **No utilice un cable flexible de extensión en esta plancha de cocinar.**

## Instrucciones para la puesta a tierra

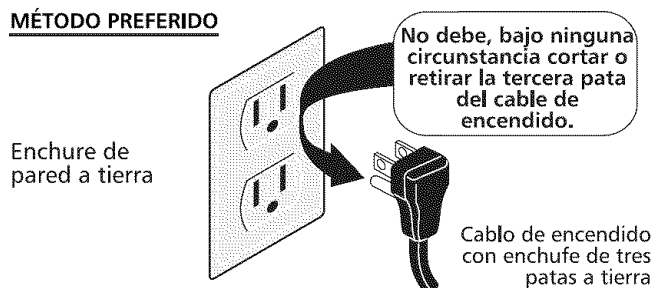
**IMPORTANTE** Por favor, lea atentamente.

**Como medida de seguridad personal, esté artefacto debe conectarse a tierra correctamente.**

El cable de encendido de este artefacto incluye un enchufe de tres patas (a tierra) que calza con un enchufe de pared de tres patas de conexión a tierra (ver Figura 7) para disminuir la posibilidad de peligro de choques eléctricos desde el artefacto.

Un electricista calificado debe verificar el enchufe de pared y el circuito para asegurar que el enchufe está conectado a tierra correctamente.

### MÉTODO PREFERIDO



En caso de encontrarse con un enchufe de pared de dos patas, es la personal responsabilidad y la obligación del consumidor reemplazarlo por el enchufe de pared a tierra de tres patas correspondiente.

**No debe, bajo ninguna circunstancia cortar o retirar la tercera pata (tierra) del cable de encendido**

**⚠️ ADVERTENCIA** Desconecte el cable del suministro eléctrico del enchufe de pared antes de reparar la plancha de cocinar.

## Instalación de la Tapa de Cocina

1. Inspeccione visualmente la tapa de la cocina para ver si está dañada.
2. Si va a instalar el Panel Protector Opcional de Acero Inoxidable, primero colóquelo en la parte posterior de la tapa de la cocina usando los tornillos provistos con el juego y siga las instrucciones provistas.
3. Coloque la tapa de la cocina en la marca de la mesada.

NOTA: No use un compuesto de calafateo; la tapa de la cocina se debe poder desmontar para revisarla.

### Verifique la operación

Refiera al **Manual del Usuario** que viene con la plancha de cocinar para las instrucciones de funcionamiento y el mantenimiento y la limpieza de su plancha de cocinar.

No toque a los quemadores. Pueden estar suficientemente calientes par causar quemaduras.

### 1. Instalación de las tapas de quemadores

Esta plancha de cocinar está equipada con quemadores sellados como se muestra (Figura 8)

- A. Retire las hornillas y los casquetes de la caja.
- B. Ubique una cabeza de quemador sobre cada orificio de gas, y alinee la cabeza con el tamaño del orificio. **Asegúrese de no dañar al electrodo cuando esta ubicando la cabeza sobre el**

# INSTRUCCIONES DE INSTALACION PARA PLANCHA DE COCINAR A GAS

**orificio.** Asegúrese de ubicar el electrodo correctamente adentro de la ranura en la cabeza del quemador.

- C. Ubique un cabezal de quemador sobre cada cabeza de quemador, y alinee el tamaño del cabezal al tamaño de la cabeza. Cada cabezal tiene un anillo interiormente elevado en las partes inferiores del lado para ayudarle a ubicar correctamente el cabezal sobre la cabeza.
- D. Asegúrese de colocar todas las hornillas con sus respectivos casquetes ANTES de utilizar la pancha de cocinar.

**NOTA:** No es necesario realizar ajustes en los quemadores de esta plancha de cocinar.

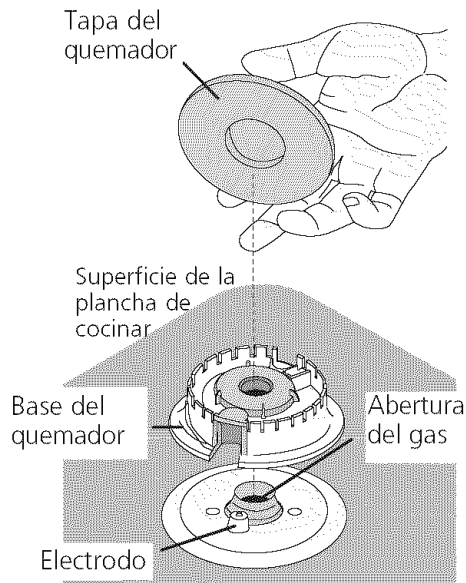


Figura 8

**2. Encienda la corriente eléctrica y abra la válvula principal de alimentación.**

### 3. Comprobación de los Encendedores

El funcionamiento de las bujías electrónicas desde ser comprobado una vez que los conectores del suministro de gas han sido verificados y no exista ningún tipo de fuga. Y el suministro de electricidad se conecte a la estufa.

Para verificar un encendido correcto:

- A. Presione y gire a una perilla a la posición de LITE. Todos las bujías electrónicas chispearán al mismo tiempo. Sin embargo, solamente el quemador que usted se está girando encenderá.
- B. El quemador se deberá encender en cuatro (4) segundos para un funcionamiento normal, luego de que el aire haya sido purgado de la tubería de suministro de gas. Controle visualmente que el quemador se hay encendido.
- C. Luego que el quemador se haya encendido, la perilla debe ser girada fuera de la posición LITE.

Cada quemador tiene su encendedor individual. Controle las perillas separadamente hasta que todas las válvulas hayan sido controladas.

### 4. Ajuste bajo ("LO") ara la válvula de los quemadores de superficie (Figura 9)

- a. Presione y gire el control hasta la posición LITE para prender los quemadores.
- b. Gire **rápidamente** gire la perilla a la POSICION MAS BAJA.
- c. Si el quemador se apaga, reajuste el control a OFF.
- d. Retire la perilla del quemador de superficie.
- e. Inserte un destornillador fino-aplanado en el orificio del vástago de la válvula e inserte en el tornillo ranurado. El tamaño de la llama puede aumentarse o disminuirse dándole vuelta al tornillo. Dé vuelta en sentido opuesto a las manecillas del reloj para aumentar el tamaño de la llama. Dé vuelta en sentido a las manecillas del reloj para disminuir la llama. Ajuste la llama hasta que usted puede dar vuelta rápidamente a la perilla de la posición LITE a la POSICIÓN MÁS BAJA sin extinguir la llama. La llama debe ser tan pequeña como sea posible sin apagarse.

**Nota:** El ajuste de la mezcla del aire no se requiere en los quemadores de superficie

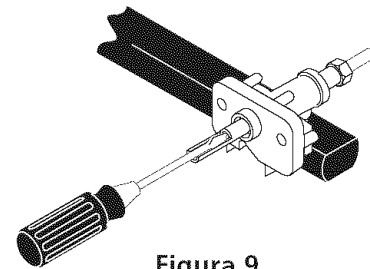


Figura 9

### 5. Ajuste bajo "LOW" para la válvula de quemador de superficie puente (Figura 10) (algunos modelos)

Nota: En la válvula de quemador triple el ajuste «LOW» de cada porción (porción posterior del quemador puente y la porción de centro del quemador del puente) se debe ajustar individualmente.

- a. Presione y gire el control a la posición LITE hasta que la porción posterior del quemador puente se encienda.
- b. Gire **rápidamente** a la perilla a la POSICIÓN MÁS BAJA.
- c. Si el quemador se apaga, reajuste el control a OFF.
- d. Retire la perilla del quemador de superficie.
- e. El tamaño de la flama de la porción posterior del quemador puente puede aumentarse o disminuirse dándole vuelta al tornillo **A** (vea Figura 10). Utilice el tornillo **B** para ajustar el tamaño de la llama de la porción central del quemador puente. Dé vuelta en sentido opuesto de las manecillas del reloj para aumentar el tamaño de la llama. Dé vuelta en sentido a las manecillas del reloj para disminuir la llama. Ajuste la llama hasta que usted puede dar vuelta rápidamente a la perilla de la posición LITE a la POSICIÓN MÁS BAJA sin extinguir la llama. La llama debe ser tan pequeña como sea posible sin apagarse.

# INSTRUCCIONES DE INSTALACION PARA PLANCHA DE COCINAR A GAS

**Nota:** El ajuste de la mezcla del aire no se requiere en los quemadores de superficie.

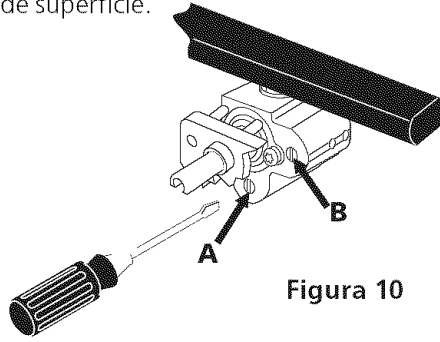


Figura 10

## Cuando se han realizado todos los sistemas de conexión

Asegúrese que todos los controles están en la posición de OFF (apagado).

Asegúrese que el flujo de combustión y ventilación de aire de la cocina no están obstruidos

## Modelo y ubicación del número de serie

La placa de número de serie está ubicada en el lado de abajo de la caja de quemadores.

Asegúrese de incluir el modelo, número de serie y el número o letra del lote que se encuentran en la placa, en todo pedido de partes o solicitud de información acerca de su plancha de cocinar.

La placa de número de serie también indica las especificaciones de los quemadores, el tipo de combustible y la presión para la cual fué ajustada la plancha de cocinar en la fábrica.

## Antes de llamar al servicio técnico

Lea la lista titulada "Evitando Llamadas de Servicio" y las instrucciones de funcionamiento en su Manual del Usuario

Verifique que los fusibles de la casa no se hayan fundido o el cortacircuitos del horno no haya saltado o abierto.

## Diagramas de cables

