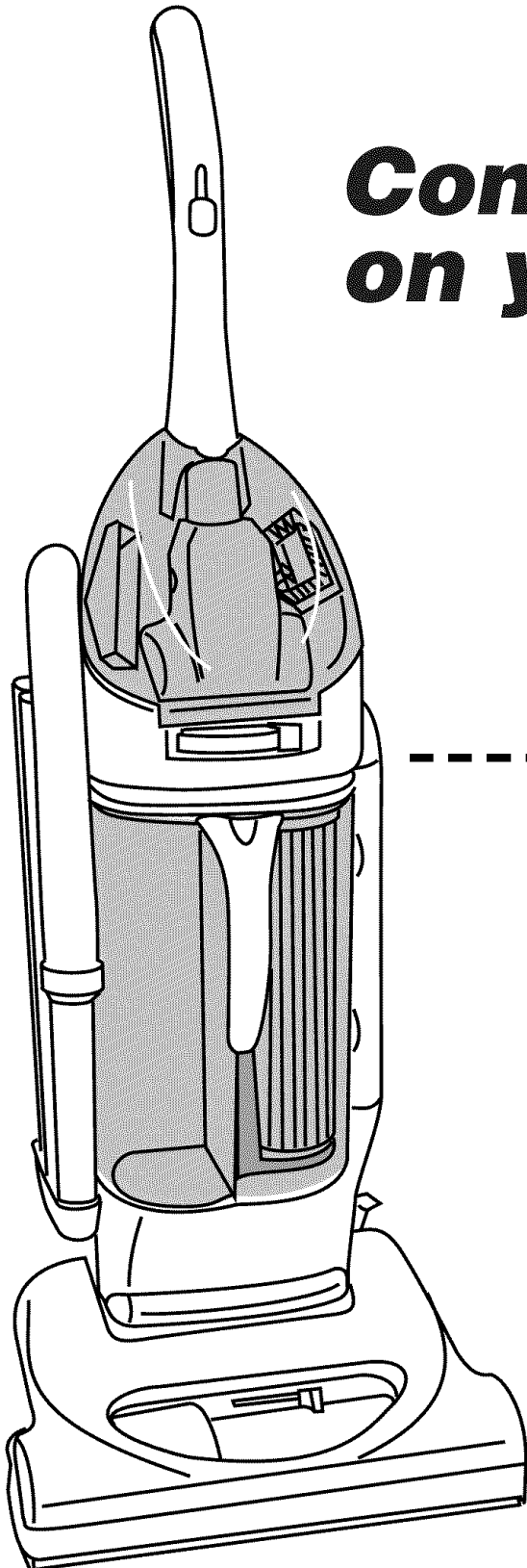


WindTunnel™ Bagless by HOOVER

***Congratulations
on your purchase!***



This product was designed for
easy assembly (see page 3)

Owner's Manual

ENGLISH → pp.1-14

ESPAÑOL → pág. 16-23

FRANÇAIS → p. 24-31

Review this manual before operating cleaner

Fill in and retain

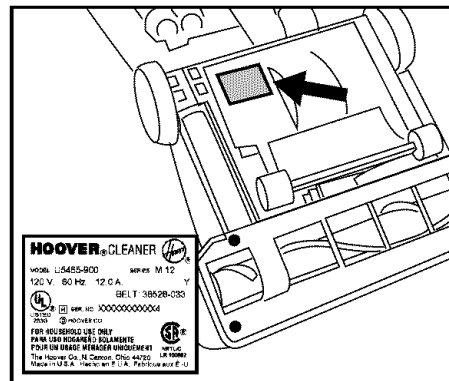
The model and serial number are located on the bottom of the cleaner.

For your personal records, please enter the COMPLETE model and serial number in the spaces provided and retain this information.

Your cleaner is model _____

and has serial number _____

It is suggested that you attach your sales receipt to this owner's manual. Verification of date of purchase may be required for warranty service of your HOOVER product.



Index

Assembling Cleaner	3-4
Carton Contents	3
Cleaner Descriptions	5
How To Use	5-7
Cleaning Tools	7
If You Have a Problem	13-14
Clearing Blockages	14
Important Safeguards	2
Lubrication	13
Maintenance	
Authorized Service	13
Cleaning filters	8-9
Emptying Dirt Cup	8
Replacing Agitator Brush Roll	11
Replacing Power Hand Tool	
Agitator Brush Roll	12
Replacing Belt	10-11
Replacing Power Hand Tool Belt ..	12
Replacing Edge Groomers	11
Replacing Headlight	10
Thermal Protector	13
Warranty	14

Important Safeguards

When using an electrical appliance, always follow basic precautions, including the following:

READ ALL INSTRUCTIONS BEFORE USING THIS APPLIANCE

Warning:

To reduce the risk of fire, electric shock, or injury:

- Do not use outdoors or on wet surfaces.
- Close supervision is necessary when any appliance is used by or near children. Do not allow vacuum cleaner to be used as a toy or to run unattended at any time.
- Keep hair, loose clothing, fingers, feet and all parts of body away from openings, rotating agitator and other moving parts. Do not operate cleaner in bare feet or when wearing open toe shoes or sandals.
- Do not pick up anything that is burning or smoking, such as cigarettes, matches, or hot ashes.
- Do not use to pick up flammable or combustible materials such as gasoline or fine wood sandings or use in areas where they may be present.
- Avoid picking up hard, sharp objects with the cleaner. They may damage the cleaner.
- Always turn off this appliance before connecting or disconnecting hose.
- Do not use without dirt cup or filters in place. Empty cup and clean filter frequently when picking up very fine materials such as powder.
- Use extra care when cleaning on stairs.
- Do not put any object into openings. Do not use with any opening blocked; keep free of dust, lint, hair, or anything that may reduce air flow.
- Do not pull or carry by cord, use cord as a handle, close door on cord or pull cord around sharp edges or corners. Do not run appliance over cord. Keep cord away from heated surfaces.
- Always disconnect cord from electrical outlet before servicing the cleaner.
- Unplug cleaner when not in use. Turn off all controls before unplugging.
- Do not unplug by pulling on cord. To unplug, grasp the plug, not the cord. Never handle plug or appliance with wet hands.
- The use of an extension cord is not recommended.
- Do not use with damaged cord or plug. If appliance is not working as it should, has been dropped, damaged, left outdoors, or dropped into water, take it to a Hoover Factory Service Center or Authorized Hoover Warranty Service Dealer (Depot).
- Use vacuum cleaner only for its intended use as described in the instructions. Use only attachments recommended by The Hoover Company; others may cause hazards.



© 2000 The Hoover Company

www.hoover.com

Save these instructions!

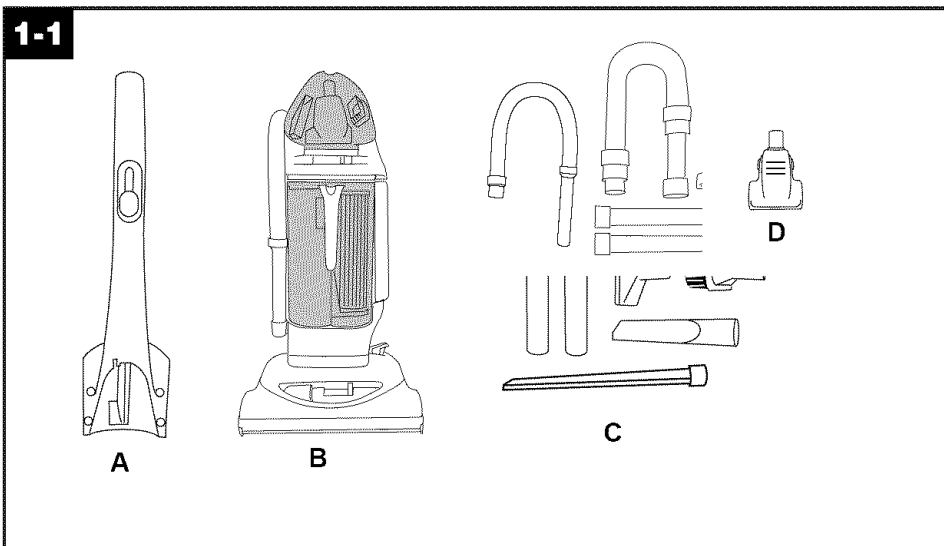
1. Assembling cleaner

This cleaner was inspected and packaged carefully before being shipped from the factory. If you should happen to need assistance during assembly or operation, call:

1-800-944-9200 for an automated referral of service outlet locations (U.S. only) OR
1-330-499-9499 to speak with a representative in our Consumer Response Center OR

Visit us on-line at **www.hoover.com** to find the service outlet nearest you (click on the "Service" button).

Carton contents

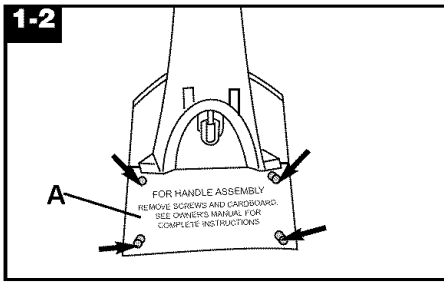


Remove all parts from carton and identify each item shown.
Make sure all parts are located before disposing of packing.

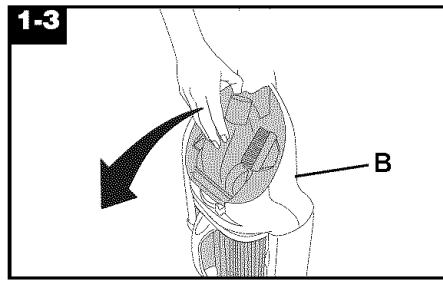
- A. Handle section
- B. Cleaner body
- C. Hose, cleaning tools and wands
(packed on cleaner)
- D. Powered hand tool (some models)

Note: The **white switch lock** above the ON/OFF switch aids in the **assembly** of your cleaner. Assembly can be continued if the switch lock is missing. However, **do not remove** the switch lock **until assembly is completed**.

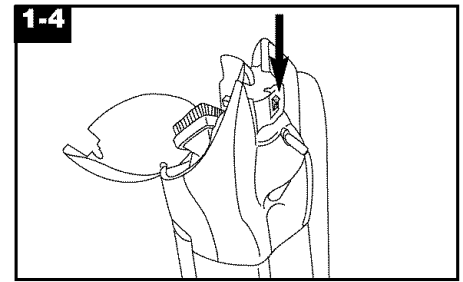
STEP 1 Attach handle



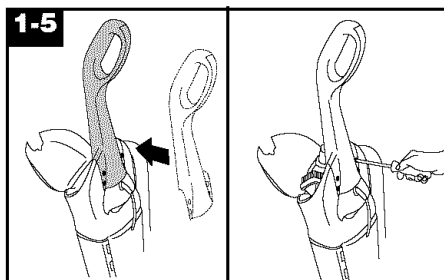
Remove cardboard (A) and screws from handle section. Discard cardboard.



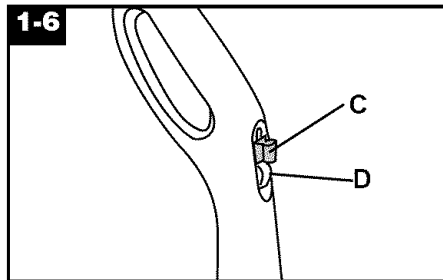
Open tool cover on cleaner body (B).
Remove powered hand tool (some models).



Make sure that the switch is in the OFF position.



Slide handle section onto back of handle.
Push screws into holes on back of handle.
Tighten screws securely with a Phillips screwdriver.
Remove powered hand tool (some models) from plastic bag and return it to the tool storage area.



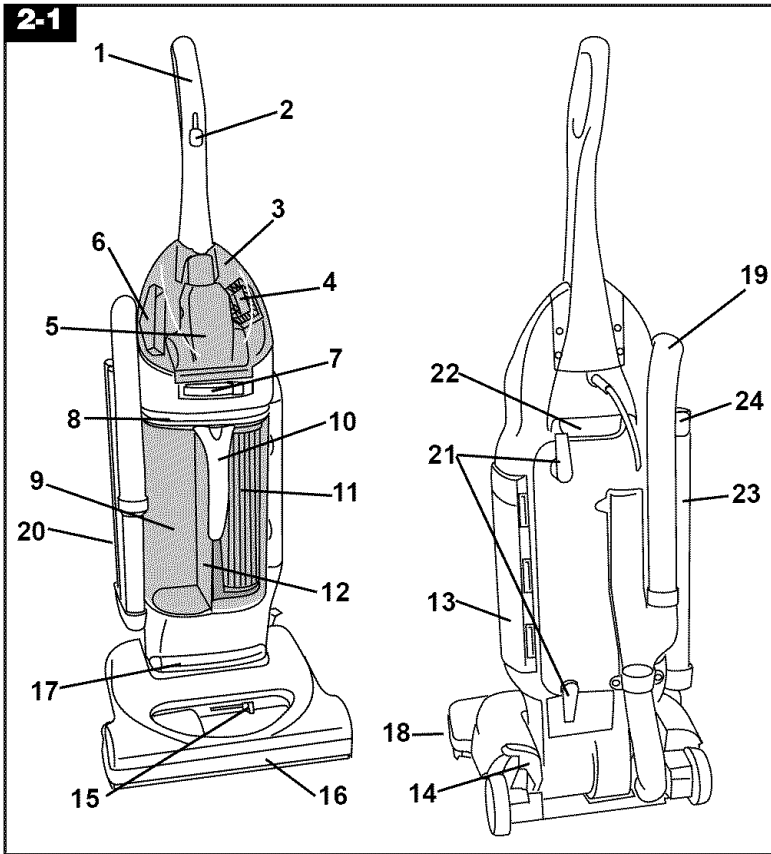
Remove switch lock (C) above ON/OFF switch (D) by pulling it straight out. Dispose of switch lock.

If switch lock has come off during assembly, make sure switch is in OFF position (down) before plugging into electrical outlet.

2. How to use

The assembled cleaner will look like the drawing. Model with Powered Hand Tool is shown.

Cleaner description



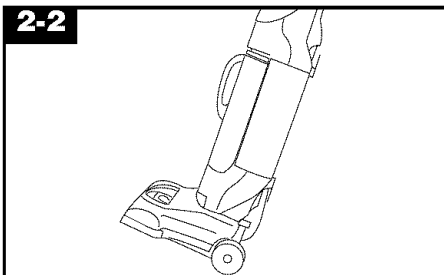
1. Handle
 2. ON/OFF switch
 3. Tool cover
 4. Dusting brush
 5. Powered hand tool* or Crevice tool* (depending on model)
 6. Furniture nozzle
 7. Dirt cup latch
 8. Dirt cup lid
 9. Dirt cup
 10. Dirt cup handle
 11. HEPA cartridge filter
 12. Pre-filter
 13. Final filter
 14. Three position handle release pedal: step on lever to lower handle to operating or low positions.
 15. Nozzle control knob: slide knob to correct setting for height of carpet being cleaned.
 16. Furniture guard
 17. Headlight
 18. Edge groomers
 19. Hose
 20. Hose rack
 21. Cord hooks: wrap cord around hooks for storage. The top hook can be rotated right or left for easy cord release.
 22. Carrying handle
 23. Extension wands
 24. Crevice wand*: stores in rear wand.
- *Some models only**
- Operate cleaner only at voltage specified on data plate on bottom of cleaner. This cleaner is intended for household use.

Polarized plug

To reduce the risk of electric shock, this appliance has a polarized plug (one blade is wider than the other). This plug will fit in a polarized outlet only one way. If the plug does not fit fully in the outlet, reverse the plug. If it still does not fit, contact a qualified electrician to install the proper outlet. Do not change the plug in any way.

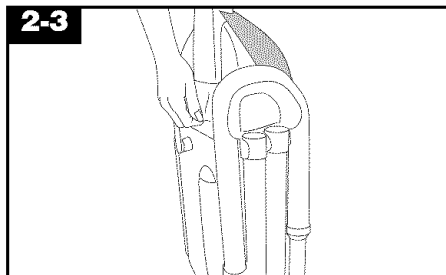
ON-OFF switch

Plug cord into electrical outlet.
To turn cleaner ON, push switch up.
To turn cleaner OFF, push switch down.



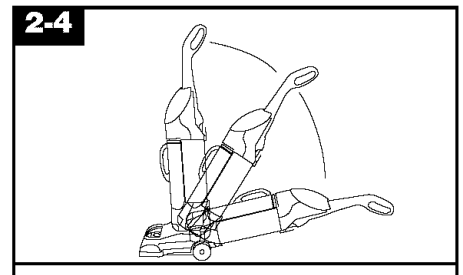
Transporting cleaner

To move your cleaner from room to room, put handle in upright position, tilt cleaner back on rear wheels and push forward.



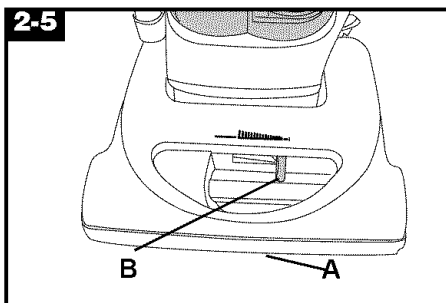
Carrying cleaner

The cleaner can also be moved by using the carrying handle.



Handle positions

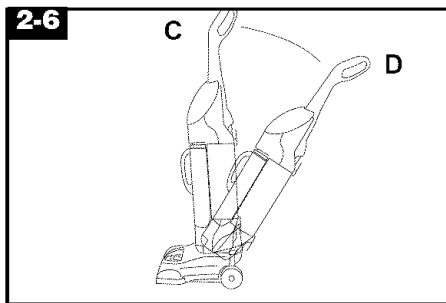
The handle of your cleaner has three positions; **upright** for storage and when using cleaning tools; **operating position** for general operation on carpet and floors; **low** for reaching under low furniture. Step on handle release lever to lower handle.



Carpet height adjustment

The cleaning of carpet and rugs takes place at the nozzle (A).

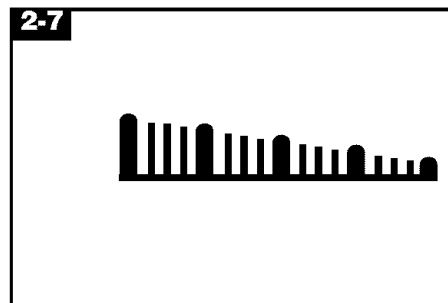
When it is necessary to raise and lower the nozzle for various carpet pile heights, slide the nozzle control knob (B) to the desired setting.



Handle position

For ease in sliding knob, the handle should be in the upright position (C).

The nozzle will not move into the adjusted position until the cleaner handle is lowered to the operating position (D).



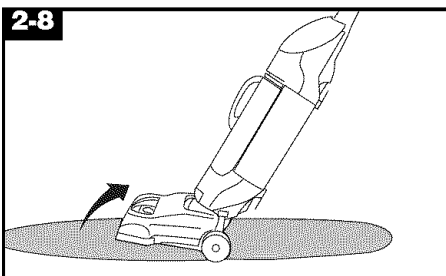
Settings

For maximum cleaning performance, the following carpet height settings are recommended.

- **Lowest setting:** for bare floors and all types of carpet

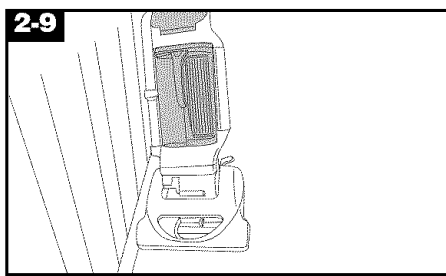
Note: If the cleaner is difficult to push, slide knob to the next higher setting.

- **Higher settings:** for very deep pile carpet where easier pushing effort is desired, while maintaining good cleaning performance.



Cleaning lightweight flexible rugs

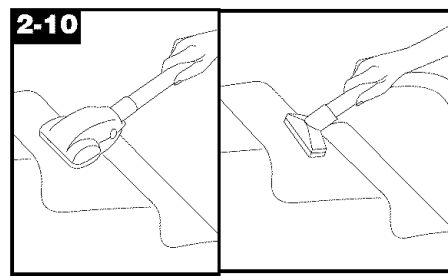
Stand on one end of rug and move cleaner toward other end or edge. Before reaching edge, push down on handle. This will lift up the nozzle (front of cleaner) and will prevent rug from clinging to cleaner. Continue to lift up nozzle so that when you have reached the edge, it is completely off the rug. Move cleaner back to start again, lower nozzle, and use only forward strokes.



Edge cleaning

Special edge groomers are provided on both sides of the nozzle to remove dirt in carpet near baseboards and furniture.

Guide either side of nozzle parallel to edge of carpet or furniture.



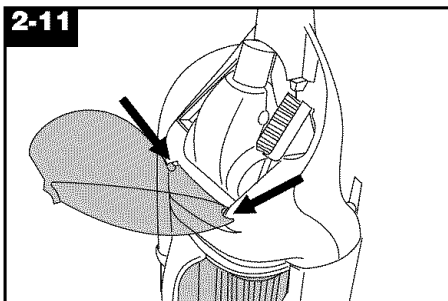
Stair cleaning

Use the hose and powered hand tool* or furniture nozzle for stair cleaning. Clean from bottom to top.

When using cleaning tools, the agitator will continue to rotate.

CAUTION: To avoid personal injury or unnecessary wear to carpet, and to prevent the cleaner from falling, always place it at bottom of stairs.

*some models only



How to attach tool cover

The tool cover is designed with a "break-away" feature which allows it to snap free if it is pushed open too far.

To reattach, align hinges of cover with slots on sides of tool storage area.

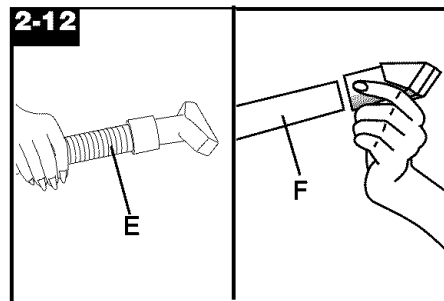
Push cover down to secure in place.

Cleaning tools

Tools allow for cleaning surfaces above the floor and for reaching hard to clean areas.

Handle must be in the upright position for tool use.

CAUTION: Agitator continues to rotate while cleaner handle is in upright position. Avoid tipping cleaner or setting it on furniture, fringed area rugs or carpeted stairs during tool use.



Attach wand and tools

Attach tool or wand to the hose (E).

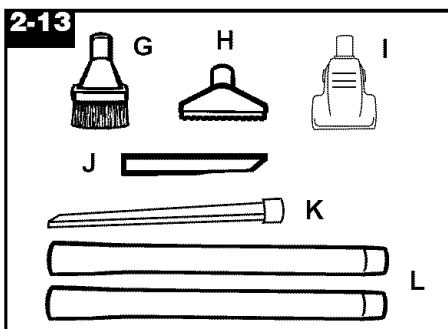
Attach second wand or tool to wand (F) by pushing it firmly onto the wand.

Twist wand or tool slightly to tighten or loosen the connection.

How to clean tools

To clean the hose and the powered hand tool, wipe off dirt with a cloth dampened in a mild detergent. Rinse with a damp cloth. Do not submerge powered hand tool in water.

Cleaning tools may be washed in warm water with a detergent. Rinse and air dry before using.



Select proper tool

G. Dusting brush may be used for carved furniture, table tops, books, lamps, lighting fixtures, venetian blinds, baseboards, shutters, and registers.

H. Furniture nozzle may be used for upholstered furniture, draperies, mattresses, clothing, automobile interiors, and carpeted stairs.

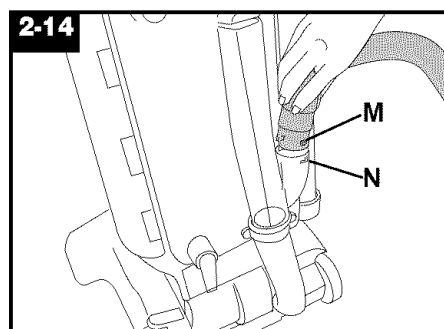
I. Powered hand tool* may be used for upholstered furniture, carpeted stairs and hard-to-reach places.

J. Crevice tool* may be used in tight spaces, corners and along edges in such places as dresser drawers, upholstered furniture, stairs and baseboards.

K. Crevice wand* can be used in tight spaces, corners and along edges in such places as dresser drawers, upholstered furniture, stairs, and baseboards. It can also be used for extra reach with the dusting brush and/or extension wand.

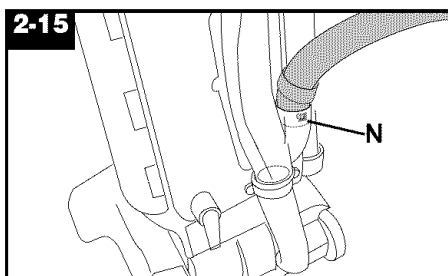
L. Wands are used to give extra length to your hose. Use them with any of the above tools.

*some models



Extra reach hose*

Push ON/OFF switch to OFF position. Remove regular hose from cleaner. Align end of extra reach hose with projections (M) over slots (N) in dirt duct.

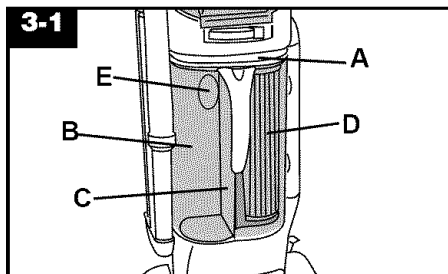


Slide hose into (N) and twist hose to lock it into place. (To detach hose, reverse procedure.) Attach wands or tools to the other end of hose.

*Available at additional cost if not included with your cleaner.

3. Maintenance

Familiarize yourself with these home maintenance tasks as proper use and care of your cleaner will ensure continued cleaning effectiveness.



Dirt cup

The dirt cup assembly consists of the following parts:

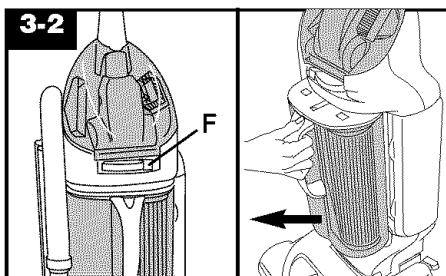
- Lid (A)
- Dirt Cup (B)
- Pre-filter (C)
- HEPA Cartridge Filter (D)
- Dirt Inlet Opening (E)

While the cleaner is in operation, the pre-filter screen will stop larger debris from entering the HEPA cartridge filter chamber. This larger debris will be seen collecting in the left side of the dirt cup. The HEPA cartridge filter will collect fine particles that have passed through the pre-filter screen.

When to empty

It is recommended that the dirt cup be emptied before the dirt reaches the dirt inlet opening on back of dirt cup (Fig. 3-1) or after every use if preferred.

CAUTION: Very fine materials, such as face powder, cornstarch or fire-place soot, may seal the filter and cause loss of suction. When using the cleaner for this type of dust, empty the cup and clean the filters often.

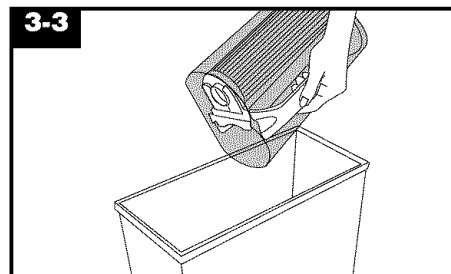


How to empty

Disconnect cleaner from electrical outlet. Do not use cleaner without dirt cup or filters in place.

Push latch (F) to the left to unlock.

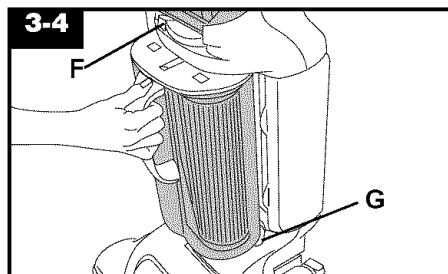
Lift cup slightly and pull **straight** out to remove from cleaner.



Remove lid.

Note: It is not necessary to remove the HEPA cartridge filter to empty the dirt cup.

Tap side of cup until no more dust particles fall from the HEPA cartridge filter.



Replace dirt cup lid.

Slide cup **straight** into cleaner cavity. Bottom of cup will rest behind grooves at bottom of cleaner cavity (G).

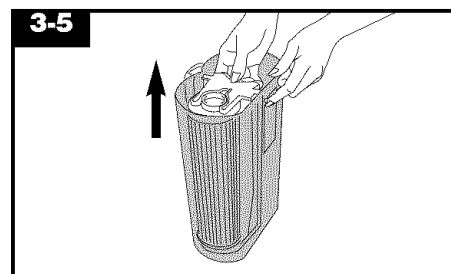
Push latch (F) to the right to lock in place.

Filter assembly

The HEPA cartridge filter and pre-filter are essentially self-shedding.

Tapping the side of the dirt cup as described in "How to empty dirt cup" should sufficiently remove dust and fine particles from the HEPA cartridge filter and pre-filter.

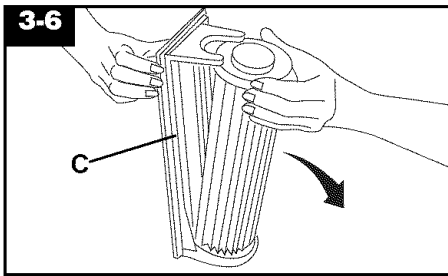
The filter assembly can also be removed for additional cleaning.



How to clean filter assembly

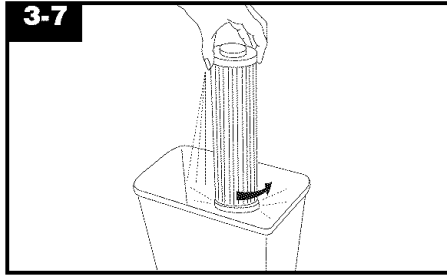
Remove dirt cup and dirt cup lid as described in "How to empty dirt cup."

Grasp pre-filter frame and pull up firmly. Slide filter assembly out of cup.



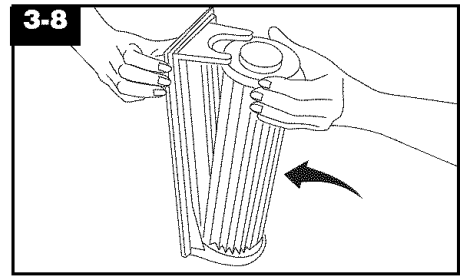
Grasp end of HEPA cartridge filter and pull it away from pre-filter. Remove cartridge from assembly.

The **pre-filter (C)** can be cleaned with a brush and then rinsed with water. Allow pre-filter to dry thoroughly.



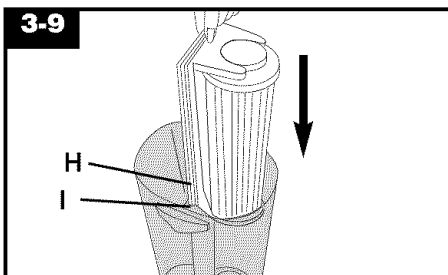
It is recommended that the HEPA cartridge filter be cleaned by tapping either of the ends. **DO NOT tap soft pleated sides of HEPA cartridge filter as this could damage the filter.**

Tap filter until no more dust particles fall from the filter.

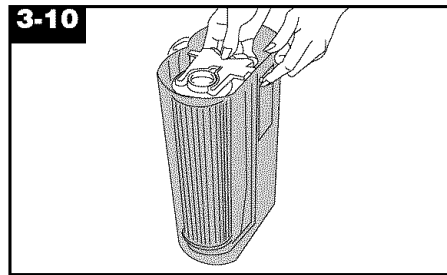


To re-assemble filter assembly, place large knob of HEPA cartridge filter in hole on bottom of pre-filter.

Snap top of HEPA cartridge filter into place.



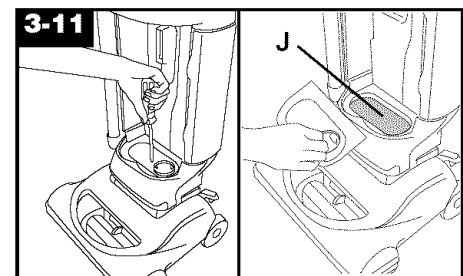
Align grooves (H) on pre-filter frame with grooves (I) in dirt cup.



Slide filter assembly down into cup until a light snap is felt. Gently pull up on assembly to ensure that it is seated properly in the cup. Ensure that no part of pre-filter screen extends above top edge of dirt cup.

Replace lid and return cup to cleaner (Fig. 3-4).

Secondary and final filters



Cleaning secondary filter

Disconnect cleaner from electrical outlet.

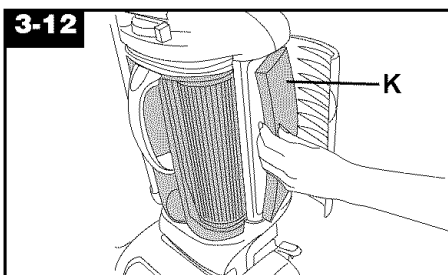
The **secondary filter (J)**, located behind the grill in the bottom of cleaner cavity, protects the motor from dirt particles.

If the filter becomes dirty, remove dirt cup (Fig. 3-2). Remove screw and pull grill out. Lift out filter.

Hand wash filter in cold water with mild detergent, then air dry.

Reposition dry filter, grill and screw. Replace dirt cup.

Should you want to replace this filter, ask for **HOOVER part No. 38762008**.



Cleaning final filter

The **final filter** assists in the filtration process to return clean air to the room.

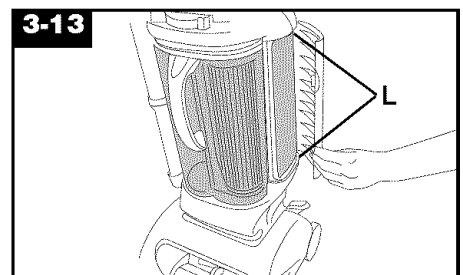
To remove this filter when it becomes dirty, open the door on the side of the cleaner.

Lift out filter (K) and hand wash it in cold water with mild detergent.

Let filter air dry and reposition it on the side of cleaner. Make sure the white side of the filter faces outward. Close door.

Should you want to replace this filter, ask for **HOOVER part No. 40110006**.

Do not operate cleaner without any of the filters in place.



Reattaching filter door

The filter door is designed with a "break-away" feature which allows it to snap free if it is pushed open too far.

To reattach, align hinges (L) of cover with slots on sides of filter area.

Press door back into place.

Check agitator shield

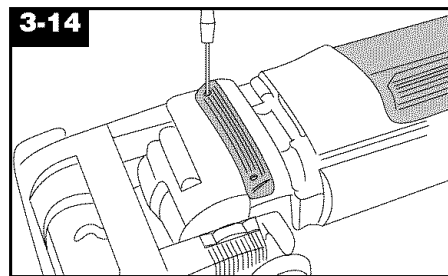
Because your cleaner picks up so well, we strongly recommend you check for debris accumulation under the agitator shield each time you clean the filters.

Removing debris under the shield will help maintain your cleaner's excellent pick up and suction. Remove debris as follows:

1. Disconnect cleaner from electrical outlet.
2. Check for dirt accumulation by removing bottom plate (Fig. 3-17), removing agitator (Fig. 3-18), and lifting agitator shield (Fig. 3-20).
3. Remove any debris and replace shield, agitator and bottom plate (Figs. 3-20 to 3-22).

Headlight replacement What to buy

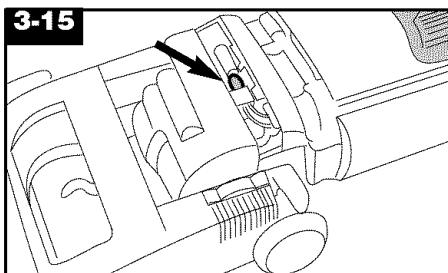
This cleaner uses a 12 volt, wedge base type 912 bulb, **HOOVER part No. 27313101**.



Removing lens

Disconnect cleaner from electrical outlet.

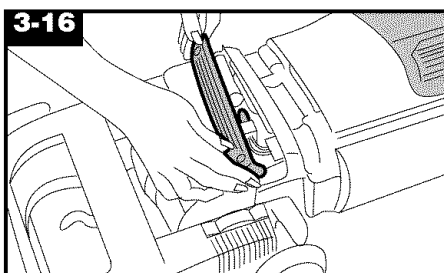
Using a screwdriver, remove the two screws as shown and lift off lens.



Installing bulb

Pull old bulb straight out of socket. Push new bulb straight into socket until locked in place

Excessive force is not required.



Replacing lens

Reposition lens and secure with the two screws.

Belt replacement

The belt on your HOOVER cleaner causes the agitator to rotate and is important for the effective operation of the cleaner. The belt is located under the bottom plate of the cleaner and should be checked from time to time to be sure it is in good condition.

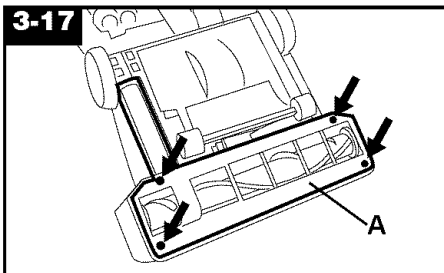
When to replace

Disconnect cleaner from electrical outlet.

To check belt, remove bottom plate as shown in "How to replace." Replace belt if it is stretched, cut or broken.

What to buy

To assure effective operation, use only genuine HOOVER belts with your cleaner. When purchasing a new belt, ask for **HOOVER part No. 38528033**.



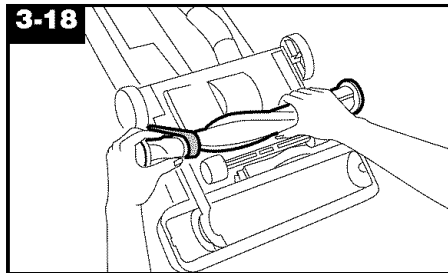
How to replace

Disconnect cleaner from electrical outlet.

Place handle in low position and turn cleaner over so bottom side is up.

Remove the 4 screws as shown with a Phillips screw driver.

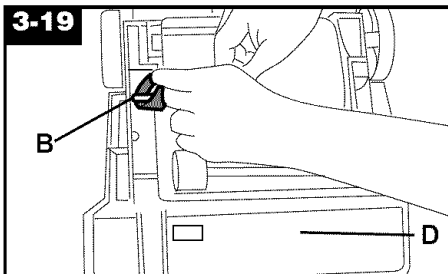
Lift off bottom plate (A).



Removing belt

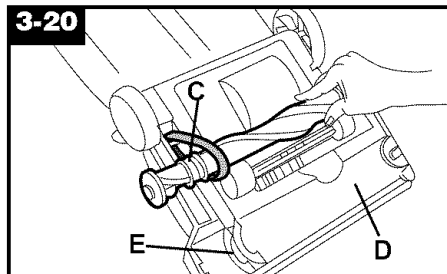
Remove agitator brush roll and used belt.

Discard used belt.



Installing new belt

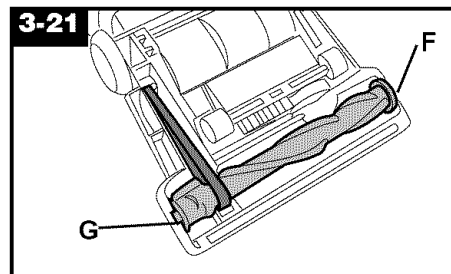
With lettering on outside of belt and positioned as shown in box on (D), slide new belt over motor pulley (B).



Replacing agitator brush roll

Insert agitator through belt and place belt in belt guide (C) on agitator.

Should the agitator shield (D) become dislodged while replacing the belt or the agitator, reposition it as shown noting the placement of its belt guide (E).

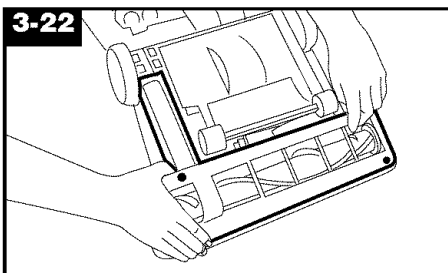


Securing agitator

Grasp agitator firmly and fit it into position by first sliding end opposite the belt into the rectangular slot (F) on side of cleaner.

Pull other side of agitator (G) into place.

Turn agitator making sure belt is not pinched between agitator and agitator shield.



Replacing bottom plate

Reposition bottom plate and 4 Phillips head screws. Tighten screws securely.

The agitator brush roll

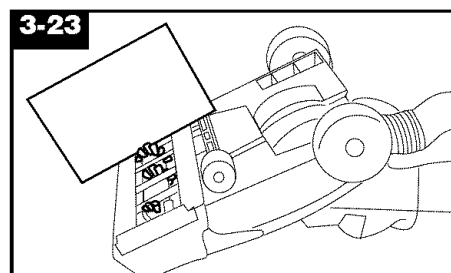
When to replace

When agitator brushes are worn, the agitator should be replaced.

To check condition of brushes, **disconnect cleaner from electrical outlet.** Move edge of a card across bottom plate while turning agitator. To maintain cleaning effectiveness, replace agitator if brushes do not touch card.

What to buy

When purchasing a new agitator, ask for **HOOVER part No. 48414115.**



How to replace

Disconnect cleaner from electrical outlet.

Remove bottom plate, belt and agitator following directions in "The belt" section beginning with Fig. 3-17.

Discard old agitator.

Continue following the directions in "The belt" section to reposition belt, new agitator and bottom plate.

The edge groomers

When to replace

The edge groomers, located on both sides of the nozzle, should be replaced when they appear worn.

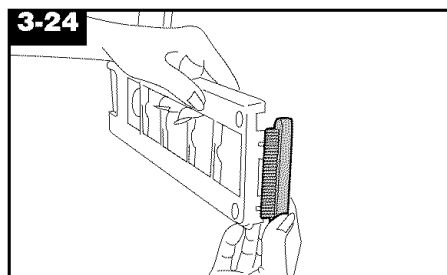
What to buy

When purchasing edge groomers, ask for **HOOVER part No. 39511004.**

How to replace

Disconnect cleaner from electrical outlet.

Remove bottom plate as described in "The belt" section (Fig. 3-17).



Installing groomers

Lift off both old edge groomers and slide new edge groomers into position as shown.

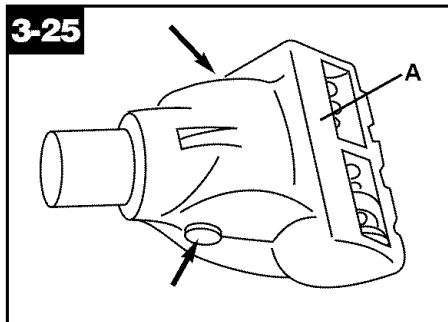
Reposition bottom plate and secure with 4 Phillips head screws.

Powered hand tool

(some models only)

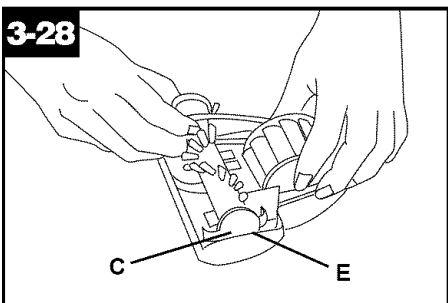
Agitator brush roll replacement

When agitator brush roll brushes are worn, the brush roll should be replaced. Ask for **HOOVER part No. 48414088**.

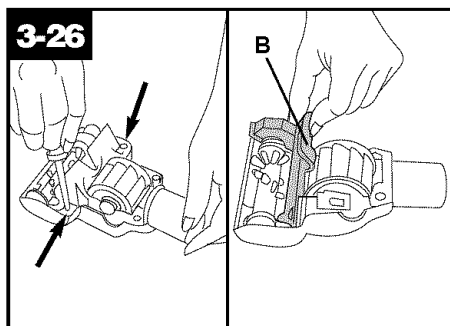


How to replace

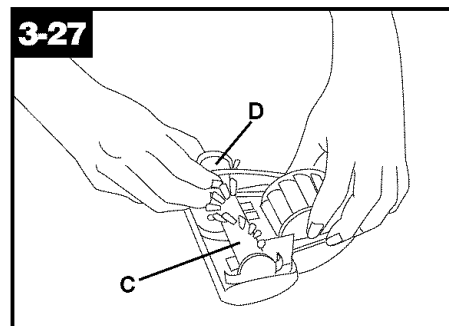
1. Remove tool from hose and turn it so bottom faces up. Press the latches on either side of tool and remove bottom plate (A).



6. With curved ends down, slide end plates (C) of brush roll into slots (E) on tool.



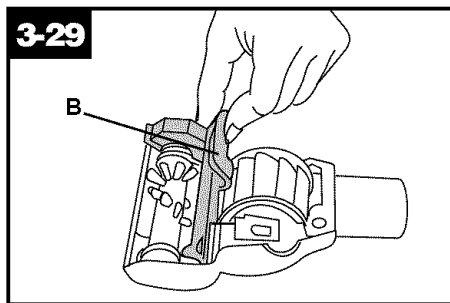
2. Unscrew the two Phillips screws and remove belt guard (B).



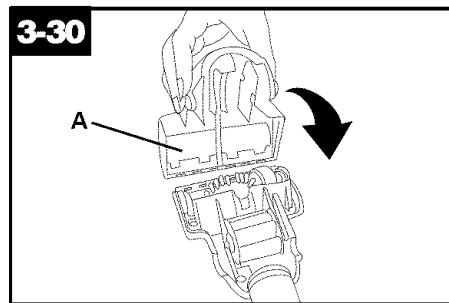
3. Remove agitator including end plates (C) and discard.

4. Inspect belt to ensure that it is in good condition. If belt is cracked, gouged or broken, replace it (see following section).

5. Insert brush roll through belt and position belt over gear teeth (D) on brush roll.



7. Replace belt guard (B) making sure not to pinch brush bristles in guard. Turn agitator, making sure it rotates freely. Replace and tighten screws.



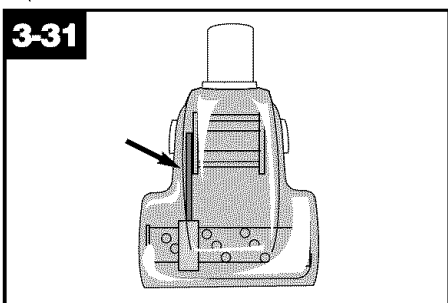
8. To replace bottom plate (A), insert the four tabs on edge of bottom plate into slots on front of tool.

Pivot bottom plate down and snap closed.

Powered hand tool

Belt replacement Inspecting the belt

The powered hand tool belt is designed to last a long time and is not normally replaced. However, if the belt is cracked, gouged or broken, it should be replaced.

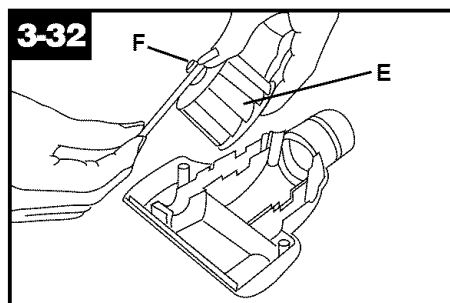


The belt can be seen through the top of the nozzle or by removing the bottom plate and belt guard (Figs. 3-25 and 3-26).

Replacing belt

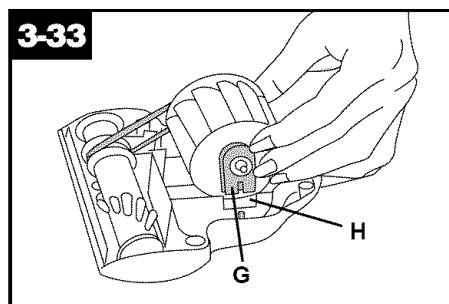
When replacing belt, ask for **HOOVER part No. 38528037**.

1. Remove bottom plate, belt guard and brush roll as described in Figs. 3-25 through 3-27.



2. Grasp turbine (E) and pull firmly to remove.

3. Remove belt from turbine pulley (F). Replace with new belt.



4. With flat sides of turbine retainers (G) pointing down, slide retainers into grooves (H) in tool housing and snap into place.

5. Replace brush roll, belt guard, and bottom plate as described in Figs. 3-27 through 3-30.

Lubrication

The motor is equipped with bearings that contain sufficient lubrication for the life of the motor. The addition of lubricant could cause damage. **Therefore, do not add lubricant to motor bearings.**

The agitator is equipped with two ball bearings that should be lubricated periodically by a Hoover Factory Service Center or an Authorized Hoover Warranty Service Dealer (Depot).

Thermal protector

An internal thermal protector has been designed into your cleaner to protect it from overheating.

When the thermal protector activates, the cleaner will stop running. If this happens, proceed as follows:

1. Turn the cleaner OFF and disconnect it from the electrical outlet.

2. Check dirt cup pre-filter, HEPA cartridge filter and secondary and final filters for dirt accumulation.

3. Refer to "Clearing blockages" section.

4. **When cleaner is unplugged and the motor cools for 30 minutes**, the thermal protector automatically resets and cleaning may continue.

If the thermal protector continues to activate after following the above steps, your cleaner may need servicing (see "Service" section).

Service

To obtain approved HOOVER service and genuine HOOVER parts, locate the nearest **Hoover Factory Service Center or Authorized Hoover Warranty Service Dealer (Depot)** by:

- checking the Yellow Pages under "Vacuum Cleaners - Household" OR -
- checking the list of Factory Service Centers provided with this cleaner OR -
- calling 1-800-944-9200 for an automated referral of authorized service outlet locations (U.S. only) OR -
- checking the Service section of The Hoover Company on-line at www.hoover.com

Do not send your cleaner to The Hoover Company in North Canton for service, this will only result in delay.

If further assistance is needed, contact The Hoover Company Consumer Response Center, North Canton, Ohio 44720, Phone: 330-499-9499.

In Canada, contact Hoover Canada, Burlington, Ontario L7R 4A8, Phone: 1-800-263-6376. Always identify your cleaner by the **complete** model number when requesting information or ordering parts. (The model number appears on the bottom of the cleaner.)

Hoover Cleaning Performance

This Hoover Cleaning Performance System is for comparing the relative progressive performance of **Hoover uprights only** and not for comparison with any other brands. The majority of this rating is based upon the American Society for Testing and Materials (ASTM) Carpet Cleaning Effectiveness Test (ASTM Test F608). Other performance factors include Hose Power (ASTM Test F558), Surface Litter Cleaning, Hard Floor Cleaning, Edge Cleaning, Cleaning Width, and Air Filtration.

4. If you have a problem

If a minor problem occurs, it usually can be solved quite easily when the cause is found by using the check list below.

Problem: Cleaner won't run

Possible cause

Possible solution

- **Not firmly plugged in**
 - Plug unit in firmly
- **No voltage in wall plug**
 - Check fuse or breaker
- **Blown fuse or tripped breaker**
 - Replace fuse or reset breaker
- **Thermal protector activated**
 - Allow cleaner to cool for 30 minutes (this will reset the thermal protector) (see pg. 13).

Problem: Cleaner won't pick up

Possible cause

Possible solution

- **Broken or worn belt**
 - Replace belt
- **Agitator brush roll worn**
 - Replace brush roll
- **Dirt cup full**
 - Empty dirt cup
- **Incorrect carpet height setting**
 - Move nozzle control knob to lower setting
- **Blockage in air flow passage**
 - Clear blockage
- **HEPA cartridge filter clogged**
 - Clean HEPA cartridge filter by either tapping the side of the dirt cup or removing the cartridge filter as described in the "Filter assembly" section.
- **Pre-filter clogged**
 - Clean pre-filter as described in

"Filter assembly" section.

- **Dirt cup not properly installed and latched**
- **Position dirt cup properly and lock latch** (Fig. 3-4).
- **Dirt cup lid not positioned properly or missing**
 - Ensure that dirt cup lid is properly positioned.
- **Filter assembly not assembled properly**
 - Ensure that filter assembly is positioned properly (Figs. 3-8 to 3-10).

Problem: Cleaner hard to push

Possible cause

Possible solution

- **Incorrect carpet height setting**
 - Move nozzle control knob to a higher setting

Problem: Cleaning tools won't pick up

Possible cause

Possible solution

- **Cleaner handle not in upright position**
 - Ensure that cleaner handle is locked in upright position.
- **Blockage in hose**
 - Clear blockage.

Problem: Visible dirt leaking through final filter

Possible cause

Possible solution

- **Filter assembly not installed properly**
 - Remove filter assembly from dirt cup and ensure that HEPA cartridge filter is properly attached to pre-filter screen and that entire filter assembly is properly repositioned inside dirt cup. (Figs. 3-5 through 3-10).

Problem: Dirt inside dirt cup stops spinning

Note: Heavy debris may settle to the bottom of the dirt cup and prevent the dirt from spinning without affecting cleaning performance. The cleaner can continue to be used even if the dirt is not spinning inside the dirt cup. However, if the dirt does stop spinning AND there is a noticeable decrease of performance, check the items under "Cleaner won't pick up".

Problem: Powered hand tool (some models) brush roll won't turn

Possible cause

Possible solution

- **Too much pressure being applied to tool**
 - Continue using tool applying **light** pressure.
- **Blockage in turbine channel**
 - Remove blockage.

- Broken or worn belt
- Replace belt
- Low cleaner suction
- Check items under "Cleaner suction low".

Clearing blockages

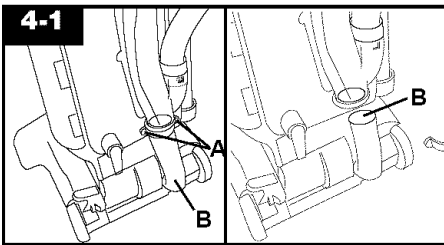
Disconnect cleaner from electrical outlet.

Low suction or pick up may be due to a blockage in the system. Refer to the following steps to check for blockages **continuing with each step until the blockage is found:**

A. If a blockage occurs during floor cleaning:

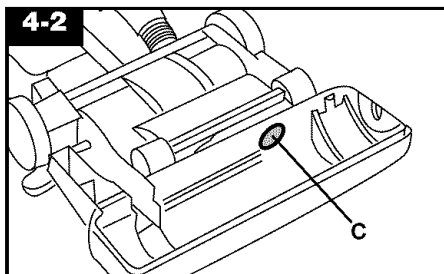
Turn cleaner OFF and disconnect from electrical outlet.

1. Check fullness of dirt cup and filter assembly; empty cup and clean filters if needed.



Check dirt duct

2. Remove screws on lower back of cleaner handle (A) and remove lower dirt duct (B).
3. Clear blockage from dirt duct sections.



Checking under bottom plate

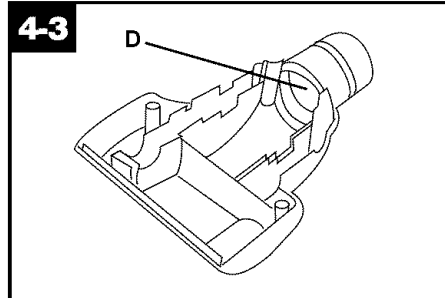
4. Turn cleaner OFF and unplug.
5. Remove bottom plate, belt and agitator (see "The belt" section). Look into opening (C) for blockages and remove.
6. Remove agitator shield (see Fig. 3-20) and remove any loose debris which may have accumulated under it.

B. If a blockage occurs during tool use:

Turn cleaner OFF and disconnect from electrical outlet.

1. Look into hose end and remove any blockage.
2. Check lower dirt duct for blockage (Fig. 4-1).

C. If a blockage occurs during powered hand tool use (some models only):



1. Disconnect powered hand tool from hose. Remove bottom plate, belt guard and turbine as described in Figs. 3-25, 3-26 and 3-33.

Remove any blockage from turbine channel (D).

Replace belt turbine, brush roll, belt guard and bottom plate.

Full One Year Warranty (Domestic Use)

Your HOOVER® appliance is warranted in normal household use, in accordance with the Owner's Manual against original defects in material and workmanship for a period of one full year from date of purchase. This warranty provides, at no cost to you, all labor and parts to place this appliance in correct operating condition during the warranted period. This warranty applies when the appliance is purchased in the United States including its territories and possessions, or in Canada or from a U.S. Military Exchange. Appliances purchased elsewhere are covered by a limited one year warranty which covers the cost of parts only. This warranty does not apply if the appliance is used in a commercial or rental application.

Warranty service can only be obtained by presenting the appliance to one of the following Authorized Warranty Service outlets. Proof of purchase will be required before service is rendered.

1. Hoover Factory Service Centers
2. Hoover Authorized Warranty Service Dealers (Depots)

For an automated referral of authorized service outlets in the U.S.A., phone 1-800-944-9200 OR

visit The Hoover Company on-line at www.hoover.com

This warranty does not cover pick up, delivery, or house calls; however, if you mail your appliance to a Hoover Factory Service Center for warranty service, transportation will be paid one way.

While this warranty gives you specific legal rights, you may also have other rights which vary from state to state (or province).

If further assistance is needed, or if there are questions concerning this warranty or the availability of warranty service outlets, write or phone the Consumer Response Center, The Hoover Company, 101 East Maple St., North Canton, Ohio 44720. Phone 330-499-9499.

In Canada, contact Hoover Canada, Burlington, Ontario, L7R 4A8. Phone 1-800-263-6376.

HOOVER®

Windtunnel™

sin bolsa de Hoover

**Le agradecemos que haya
seleccionado un producto
HOOVER®.**

Este aparato ha sido inspeccionado y embalado con todo cuidado antes de salir de la fábrica. Si necesita ayuda durante el ensamblado o la operación, llame al:

1-800-944-9200 para una referencia automatizada de las ubicaciones de los sitios autorizados para servicio de productos (únicamente en Estados Unidos) o al

1-330-499-9499 para hablar con un representante en nuestro Centro de Respuesta al Cliente.

**NO DEVUELVA ESTE PRODUCTO
A LA TIENDA.**

Manual del propietario

ESPAÑOL → pág. 16-23

Lea este manual antes de hacer
funcionar la aspiradora.

¡Guarde este folleto! Índice

Ensamblado de la aspiradora.....	17
Contenido de la caja	17
Descripción de la aspiradora	17
Cómo usar la aspiradora.....	17
Accesorios de limpieza.....	18
Si tiene un problema	22
Eliminación de obstrucciones	23
Salvaguardias importantes.....	16
Lubricación.....	22
Mantenimiento	
Servicio.....	22
Limpieza de los filtros.....	20
Vaciado del depósito para polvo	19
Reemplazo del rodillo de escobillas del agitador	21
Reemplazo del rodillo de escobillas del agitador del accesorio de mano turboaccionado.....	21
Reemplazo de la correa	21
Reemplazo de la correa del accesorio de mano turboaccionado	21
Reemplazo de los limpiadores de bordes.....	21
Reemplazo de la luz delantera	20
Protector termico.....	22
Garantía	23



Anote y guarde

El número de modelo y de serie se encuentran en la parte inferior de la aspiradora. Para sus archivos personales, anote los números COMPLETOS de modelo y serie en los espacios provistos y conserve esta información.

El modelo de su aspiradora es _____
y el número de serie es _____

Le sugerimos que adjunte su recibo de compra a este manual del propietario, ya que para obtener el servicio de garantía de su producto HOOVER, puede requerirse la verificación de la fecha de compra.

¡Salvaguardias importantes!

Al usar un aparato eléctrico, observe siempre las precauciones básicas, incluyendo las siguientes:

LEA TODAS LAS INSTRUCCIONES ANTES DE USAR ESTE APARATO

Advertencia: Para reducir el riesgo de incendios, choques eléctricos o lesiones:

- No use este aparato en el exterior o en superficies mojadas.
- Es necesaria una supervisión estricta cuando cualquier aparato es utilizado por o cerca de los niños. No permita que la aspiradora sea usada como un juguete ni que funcione sin atención en ningún momento.
- Mantenga el cabello, la ropa holgada, dedos de las manos y pies y todas las partes del cuerpo alejados de las aberturas, el agitador rotatorio y otras piezas en movimiento. No haga funcionar la aspiradora descalzo ni cuando calce sandalias o zapatos que dejen los dedos de los pies al descubierto.
- No aspire nada que se esté quemando o echando humo, como cigarrillos, cerillos o cenizas calientes.
- No use este aparato para aspirar líquidos inflamables o combustibles como gasolina o restos de madera lijada, ni en áreas donde pudieran encontrarse presentes.
- Evite aspirar objetos duros o afilados ya que pueden dañar la aspiradora.
- Apague siempre este aparato antes de conectar o desconectar la manguera.
- No use la aspiradora sin tener el depósito para polvo o los filtros en su lugar. Vacíe el depósito y limpie el filtro con frecuencia cuando aspire materiales muy finos como el talco.
- Tenga especial cuidado al limpiar escaleras.
- No coloque ningún objeto en las aberturas. No use la aspiradora con ninguna abertura bloqueada; manténgala libre de polvo, pelusa, cabello o cualquier cosa que pueda reducir el flujo de aire.
- No tire del cordón, no lo jale, ni tampoco lo use como mango, no cierre la puerta sobre el cordón ni tire del mismo alrededor de los cantos agudos ni esquinas. No pase el artefacto sobre el cordón. Mantenga el cordón alejado de las superficies calientes.
- Desenchufe siempre el cordón de la toma de corriente eléctrica antes de prestar servicio a la aspiradora.
- Desenchufe el cordón cuando la aspiradora no esté en uso. Antes de desenchufarlo, apague todos los controles.
- No desenchufe tirando del cordón. Para desenchufar, sujete el enchufe y no el cordón. Nunca toque el enchufe ni el artefacto con las manos mojadas.
- No se recomienda el uso de cordones de extensión.
- No use el artefacto si el cordón o el enchufe está dañado. Si el artefacto no está funcionando apropiadamente, se ha dejado caer, ha sido dañado, se ha dejado a la intemperie o se ha dejado caer en agua, llévelo al Centro de servicio de fábrica de Hoover o al Concesionario autorizado de servicio de Hoover (Depósito).
- Use la aspiradora solamente para lo que ha sido diseñada según se describe en las instrucciones y use solamente los accesorios recomendados por The Hoover Company; el uso de otros accesorios puede ser peligroso.

¡Guarde estas instrucciones!

¿Tiene preguntas o preocupaciones?

La compañía Hoover desea resolver rápidamente toda preocupación con respecto a su máquina o preguntas respecto a su uso. Busque en la lista provista con el producto para hallar el **Centro de Servicio de Fábrica Hoover** o en las Páginas Amarillas bajo "Vacuum Cleaners - Household" ("Aspiradoras - Artículos del Hogar") para hallar el número del **Concesionario Autorizado de Servicio de Garantía de Hoover** (Depósito) más cercano o llame al:

1-800-944-9200 para una referencia automatizada de las ubicaciones de los centros autorizados de servicio (sólo en los EE.UU.)

o al **1-330-499-9499** para hablar con un representante en nuestro Centro de Respuesta al Cliente.

LE AGRADECEREMOS QUE NO DEVUELVA ESTE PRODUCTO A LA TIENDA NI QUE LO ENVÍE A NORTH CANTON PARA SERVICIO.

Use estas instrucciones en español junto con las figuras paso-a-paso provistas en el manual de inglés.

1. Ensamblado

Contenido de la caja

1-1

Saque todos los componentes de la caja e identifique cada pieza que se muestra. Antes de desechar la caja, asegúrese de que tiene todas las piezas.

- Sección del mango
- Cuerpo de la aspiradora
- Manguera, accesorios de limpieza y tubos de extensión (incorporados en la aspiradora)
- Accesorio de mano turboaccionado (en algunos modelos)

Nota: La traba blanca del interruptor, encima del interruptor de encendido/apagado (ON/OFF) será útil durante el ensamblado de su aspiradora. Se puede continuar con el ensamblado si la traba falta. Sin embargo, **no quite** la traba del interruptor **hasta que el ensamblado haya terminado.**

PASO I

Ensamblado del mango

1-2

Quite el cartón (A) y los tornillos del sección del mango. Deseche el cartón.

1-3

Abra la cubierta de accesorios en el cuerpo de la aspiradora (B).

Saque el accesorio de mano turboaccionado (en algunos modelos).

1-4

Mirando hacia la parte posterior del mango, asegúrese de que el interruptor esté en la posición de apagado (OFF).

1-5

Deslice la sección del mango sobre la parte posterior del mango.

Introduzca los tornillos en los agujeros de la parte posterior del mango.

Apriete bien los tornillos con un destornillador Phillips.

Saque el accesorio de mano turboaccionado (en algunos modelos) de la bolsa de plástico y regréselo al área de guardar los accesorios.

1-6

Retire la traba (C) del interruptor encima del interruptor de encendido/apagado (ON/OFF) (D) jalándola hacia fuera. Desechéla.

Si la traba se ha caído durante el ensamblado, asegúrese de que el interruptor esté en la posición de apagado (OFF) (hacia abajo) antes de enchufar el cordón en la toma de corriente.

2. Cómo usar la aspiradora

2-1

Descripción de la aspiradora

La aspiradora ensamblada debe tener un aspecto semejante al del diagrama. Modelo con accesorio de mano turboaccionado.

- Mango
- Interruptor de encendido y apagado (ON/OFF)
- Cubierta para accesorios
- Escobilla para desempolvar
- Accesorio de mano turboaccionado* o accesorio para

hendiduras* (dependiendo del modelo)

- Boquilla para muebles
- Traba del depósito para polvo
- Tapa del depósito para polvo
- Depósito para polvo
- Mango del depósito para polvo
- Filtro de cartucho HEPA
- Prefiltro
- Filtro final
- Pedal de tres posiciones para soltar el mango: pise la palanca para bajar el mango a la posición de operación o baja.
- Control de la altura de la boquilla para limpiar alfombras: deslice el control hasta la posición apropiada para el espesor de la alfombra a limpiarse.
- Protector para muebles
- Luz delantera
- Limpiadores de bordes
- Manguera
- Soporte para la manguera
- Ganchos para el cordón: use los ganchos para envolver el cordón cuando guarde la aspiradora. El gancho superior se puede girar hacia la derecha o izquierda para soltar fácilmente el cordón.
- Asa para transportarla
- Tubos de extensión
- Tubo de extensión para hendiduras*: se guarda en el tubo de extensión posterior.

*en algunos modelos solamente

Haga funcionar la aspiradora solamente con el voltaje especificado en la placa de datos que se encuentra en la parte inferior de la aspiradora.

Esta aspiradora ha sido diseñada solamente para uso doméstico.

Enchufe polarizado

Para disminuir el riesgo de choque eléctrico, este artefacto tiene un enchufe polarizado (una patilla es más ancha que la otra). Este enchufe encajará en una toma de corriente polarizada sólo de una forma. Si el enchufe no entra por completo, voltéelo. Si aún no encaja, pídale a un electricista calificado que le instale la toma de corriente adecuada. No altere el enchufe en ninguna forma.

Interruptor de encendido y apagado (ON/OFF)

Enchufe el cordón en una toma de corriente eléctrica.

Para encender la aspiradora (ON), empuje el interruptor hacia arriba. Para apagar la aspiradora (OFF), empuje el interruptor hacia abajo.

2-2

Traslado de la aspiradora

Para mover la aspiradora de una habitación a otra, coloque el mango en la posición vertical, incline la aspiradora hacia atrás sobre las ruedas traseras y empújela hacia adelante.

2-3

Transporte de la aspiradora

La aspiradora también se puede mover cargándola usando el asa de transporte.

2-4

Posiciones del mango

El mango de su aspiradora tiene tres posiciones: **vertical**, para almacenamiento y para usar los accesorios de limpieza; de **funcionamiento**, para uso general sobre alfombras y pisos; y **baja**, para aspirar debajo de muebles de poca altura. Pise la palanca para destrabar el mango y bajarlo.

2-5

Ajuste de la altura para alfombras

La limpieza de la alfombra ocurre en la boquilla (A).

Cuando sea necesario elevar y bajar la boquilla de la parte delantera de la aspiradora (A) para limpiar alfombras de distintos espesores, deslice el control de la altura de la boquilla (B) a la posición deseada.

2-6

Posición del mango

Para facilitar el deslizamiento del control, el mango debe estar en la posición vertical (C).

La boquilla no se moverá a la posición de ajuste hasta después de bajar el mango a la posición de operación (D).

2-7

Ajustes

Para obtener el máximo rendimiento de **limpieza**, se recomiendan las siguientes posiciones, según la altura de la alfombra:

• **Posición más baja:** para pisos no cubiertos y todo tipo de alfombras.

Nota: si le cuesta mucho empujar la aspiradora, deslice el botón a la

siguiente posición más alta.

• **Posiciones más altas:** alfombras de gran espesor en cuyo caso se desea facilitar el esfuerzo al empujar pero mantener una buena limpieza.

2-8

Limpieza de alfombras flexibles y livianas

Párese en un extremo de la alfombra y pase la aspiradora hacia el otro extremo o borde. Antes de llegar al borde empuje el mango hacia abajo con lo cual se levantará la boquilla (parte delantera de la aspiradora) y evitará que la alfombra se pegue a la aspiradora. Continúe levantando la boquilla para que cuando llegue al borde esté completamente separada de la alfombra. Retroceda la aspiradora para comenzar otra vez, baje la boquilla y pásela solamente hacia adelante.

2-9

Limpieza de los bordes

La boquilla viene con limpiadores de bordes especiales a ambos costados para ayudar en la limpieza de las alfombras cerca de los zócalos y muebles. Pase cualquier costado de la boquilla paralelo al borde de la alfombra o el mueble.

2-10

Limpieza de escaleras

Use la manguera y el accesorio de mano turboaccionado* o la boquilla para muebles para la limpieza de las escaleras. Limpie las escaleras de abajo hacia arriba.

Durante el uso de los accesorios de limpieza, el agitador continúa girando.

PRECAUCIÓN: Para evitar lesiones personales o el desgaste innecesario de la alfombra, y para impedir que se caiga la aspiradora, colóquela siempre en la parte inferior de las escaleras.

*solamente en algunos modelos

2-11

Cómo colocar la cubierta para accesorios

La cubierta para accesorios ha sido diseñada con una característica de "desenganche" que permite que se desprenda si se abre demasiado.

Para volver a colocarla, alinee las bisagras de la cubierta con las ranuras de los costados del área de almacenamiento de los accesorios.

Empuje la cubierta para trabarla en su lugar.

Accesorios de limpieza

Los accesorios de limpieza le permiten limpiar superficies que están a mayor altura que el piso y llegar a zonas difíciles de limpiar.

Use los accesorios con el mango de la aspiradora en la posición vertical.

PRECAUCIÓN: El agitador continúa girando mientras el mango de la aspiradora esté en posición vertical. Al usar los accesorios, evite inclinar la aspiradora o colocarla sobre muebles, alfombras con flecos o escaleras alfombradas.

2-12

Colocación del tubo de extensión y los accesorios

Instale el accesorio o el tubo de extensión en la manguera (E).

Instale el segundo tubo de extensión o accesorio al tubo de extensión (F) empujándolo firmemente en el tubo de extensión.

Gire el tubo de extensión o el accesorio ligeramente para apretar o aflojar la conexión.

Cómo limpiar los accesorios

Para limpiar la manguera y el accesorio de mano turboaccionado, quite la suciedad con un paño humedecido en detergente suave. Enjuague con un paño húmedo. No sumerja el accesorio de mano turboaccionado en agua.

Los accesorios de limpieza se pueden lavar en agua tibia con un detergente. Enjuáguelos y deje que se sequen al aire antes de usarlos.

2-13

Selección del accesorio de limpieza adecuado

G. Escobilla para desempolvar: se puede usar para muebles tallados, tableros de mesa, libros, lámparas, accesorios de iluminación, persianas venecianas, zócalos, persianas y rejillas de ventilación.

H. Boquilla para muebles: se puede usar para muebles tapizados, cortinajes, tapices, colchones, prendas de vestir,

interiores de automóviles y escaleras alfombradas.

I. Accesorio de mano turboaccionado*: se puede usar para muebles tapizados, escaleras alfombradas y lugares de acceso difícil.

J. Accesorio para hendiduras*: se puede usar en lugares estrechos, esquinas y en los bordes de sitios como cajones de muebles, muebles tapizados, escaleras y zócalos.

K. Tubo de extensión para hendiduras*: se puede usar en lugares estrechos, esquinas y los bordes de sitios como cajones de tocador, muebles tapizados, escaleras y zócalos. También puede usarse para tener mayor alcance con la escobilla para desempolvar y/o el tubo de extensión.

L. Tubos de extensión: se usan para alargar su manguera. Se pueden usar con cualquiera de los accesorios antes mencionados.

*algunos modelos

2-14

Conecte la manguera*

Oprima el interruptor ON/OFF a la posición OFF (apagado). Extraiga la manguera regular de la aspiradora. Alinee el extremo de la manguera de largo alcance con las proyecciones (M) encima de las ranuras (N) en el tubo de tierra.

2-15

Inserte la manguera en (N) y tuérzala para trazarla en su lugar. (Para desconectar la manguera, procesa en orden inverso.) Conecte los tubos de extensión o los accesorios a otro extremo de la manguera.

*Se puede obtener a un costo adicional si no está incluida con su aspiradora.

3. Mantenimiento

Familiarícese con estas tareas de mantenimiento en el hogar ya que el uso y cuidado adecuado de su aspiradora asegurarán la eficacia en la limpieza por largo tiempo.

3-1

Depósito para polvo

El conjunto del depósito para polvo consiste de las siguientes piezas:

- Tapa (A)
- Depósito para polvo (B)
- Prefiltro (C)
- Filtro de cartucho HEPA (D)
- Abertura para que entre el polvo (E)

Cuando la aspiradora esté funcionando, el prefiltro evitará que los residuos de mayor tamaño entren a la cámara del filtro de cartucho HEPA. Se podrá ver cómo estos residuos de mayor tamaño se depositarán en el lado izquierdo del depósito para polvo. El filtro de cartucho HEPA recolectará las partículas finas que hayan pasado a través del prefiltro.

Cuándo vaciar

Se recomienda que el depósito para polvo se vacíe antes que lo aspirado llegue a las aberturas para que entre el polvo en la parte trasera del depósito para polvo (figura 3-1) o, si se prefiere, después de cada uso.

PRECAUCIÓN: Los materiales muy finos, tales como el talco facial, la maicena, o el hollín de la chimenea podrían sellar el filtro y ocasionar que disminuya la succión. Cuando use la aspiradora para retirar material de esta índole, vacíe el depósito y cambie los filtros a menudo.

3-2

Cómo vaciar

Desenchufe la aspiradora de la toma de corriente eléctrica. No use la aspiradora sin tener el depósito para polvo o los filtros en su lugar.

Mueva la traba hacia la izquierda para soltarlo (F).

Levante ligeramente el depósito para polvo y tire **directamente** hacia afuera para sacarlo de la aspiradora.

3-3

Saque la tapa.

Nota: No es necesario quitar el filtro de cartucho HEPA para vaciar el depósito para polvo.

Golpee ligeramente el costado del depósito hasta que no caigan más partículas de polvo del filtro de cartucho HEPA.

3-4

Vuelva a poner la tapa del depósito para polvo.

Deslice el depósito **directamente** en la cavidad de la aspiradora. El fondo del depósito descansará detrás de las ranuras al fondo de la cavidad de la aspiradora (G).

Mueva la traba hacia la derecha para encajarlo en su lugar (F).

Conjunto del filtro

El filtro de cartucho HEPA y el prefiltro prácticamente se limpian solos.

Si se golpea ligeramente el costado del depósito para polvo, como se describe en "Cómo vaciar el depósito para polvo", esto debe ser suficiente para quitar el polvo y las partículas finas del filtro de cartucho HEPA y el prefiltro.

Para hacer una limpieza más a fondo también se puede sacar el conjunto del filtro.

3-5

Cómo limpiar el conjunto del filtro

Saque el depósito para polvo y su tapa, como se describe en "Cómo vaciar el depósito para polvo".

Sujete el marco del prefiltro y tire de él hacia arriba firmemente. Deslice el conjunto del filtro hacia afuera del depósito.

3-6

Sujete el extremo del filtro de cartucho HEPA y jálalo para separarlo del prefiltro. Saque el cartucho del conjunto.

El **prefiltro (C)** puede limpiarse con un cepillo y luego enjuagarse con agua. Deje que se seque bien.

3-7

Se recomienda que el filtro de cartucho HEPA se limpie mediante golpecitos en cualquiera de los extremos. **No golpee los lados del filtro de cartucho HEPA con los pliegues suaves, ya que esto puede dañar el filtro.**

Golpee ligeramente el filtro hasta que no caigan más partículas de polvo del filtro.

3-8

Para volver a colocar el conjunto del filtro, coloque la perilla grande del filtro de cartucho HEPA en el orificio al fondo del prefiltro.

Encaje la parte superior del filtro de cartucho HEPA en su lugar.

3-9

Alinee las ranuras (H) del marco del prefiltro con las ranuras (I) del depósito para polvo.

3-10

Deslice el conjunto del filtro hacia abajo del depósito hasta que escuche un sonido que indique que ha encajado. Tire suavemente del conjunto hacia arriba para verificar que esté bien asentado en el depósito. Asegúrese de que no haya ninguna parte del prefiltro que sobresalga por encima del borde superior del depósito para polvo.

Vuelva a poner la tapa y el depósito en la aspiradora (fig. 3-4).

Filtro secundario y filtro final

3-11

Limpieza del filtro secundario

Desenchufe la aspiradora de la toma de corriente eléctrica.

El **filtro secundario (J)**, está detrás de la rejilla al fondo de la cavidad de la aspiradora y protege el motor de las partículas de polvo.

Si el filtro se ensucia, saque el depósito para polvo (fig. 3-2). Quite el tornillo y saque la rejilla. Levante el filtro.

Lave el filtro a mano en agua fría con un detergente suave y séquelo al aire.

Vuelva a colocar el filtro seco, la rejilla y el tornillo. Vuelva a colocar el depósito para polvo.

Si quisiera cambiar este filtro, ordene la **pieza No. 38762008 de HOOVER**.

3-12

Limpieza del filtro final

El **filtro final** ayuda en el proceso de filtración, devolviendo el aire limpio a la habitación.

Para sacar este filtro cuando se ensucie, abra la puerta al costado de la aspiradora.

Levante el filtro (K) y lávelo a mano en agua fría con un detergente suave.

Deje que el filtro se seque y vuelva a colocarlo al costado de la aspiradora. Asegúrese de que el lado de color blanco del filtro quede orientado hacia afuera. Cierre la puerta.

Si quisiera cambiar este filtro, ordene la **pieza No. 40110006 de HOOVER**.

No haga funcionar la aspiradora sin que estén puestos todos los filtros.

3-13

Colocación de la puerta del filtro

La puerta del filtro ha sido diseñada con una característica de "desenganche" que permite que se desprenda si se abre demasiado.

Para volver a colocarla, alinee las bisagras (L) de la cubierta con las ranuras a los costados de la zona del filtro.

Presione la puerta para volver a ponerla en su lugar.

Examine el protector del agitador

Debido a que su aspiradora recoge la suciedad con mucha eficiencia, le recomendamos que examine el área debajo del protector del agitador cada vez que limpie los filtros para ver si hay acumulación de suciedad.

Esto ayudará a mantener la excelente capacidad de recoger y succionar de su aspiradora. Para quitar la suciedad:

1. Desenchufe la aspiradora de la toma de corriente eléctrica.
2. Vea si hay acumulación de suciedad quitando la placa inferior (fig. 3-17), sacando el agitador (fig. 3-18) y levantando el protector del agitador (fig. 3-20).
3. Quite la suciedad y vuelva a colocar el protector, el agitador y la placa inferior (fig. 3-20 a 3-22).

Reemplazo de la luz delantera

Qué comprar

Esta aspiradora usa un bombillo de 12 voltios de base en cuña, tipo 912. **pieza No. 27313101 de Hoover**.

3-14

Remoción de la lente

Desenchufe la aspiradora de la toma de corriente eléctrica.

Usando un destornillador, quite los dos tornillos como se muestra y levante la lente.

3-15

Instalación del bombillo

Retire el bombillo jalándolo hacia afuera directamente de su receptáculo. Introduzca uno nuevo y empujelo hasta que quede fijo en su lugar.

No se requiere usar fuerza excesiva.

3-16

Recolocación de la lente

Vuelva a colocar la lente y apriétela con los dos tornillos.

Reemplazo de la correa

La correa hace posible que el agitador gire y es importante para el funcionamiento eficaz de su aspiradora Hoover. Está ubicada debajo de la placa inferior de la aspiradora y se debe revisar periódicamente para asegurarse de que esté en buenas condiciones.

Cuándo reemplazarla

Desenchufe la aspiradora de la toma de corriente eléctrica.

Para revisar la correa, retire la placa inferior como se muestra en la sección "Cómo reemplazarla". Reemplace la correa si está estirada, rota o cortada.

Qué comprar

Para asegurar un funcionamiento eficaz, use solamente correas genuinas HOOVER con su aspiradora. Cuando compre una correa nueva, pida la **pieza No. 38528033 de HOOVER**.

3-17

Cómo reemplazarla

Desenchufe la aspiradora de la toma de corriente eléctrica.

Remoción de la placa inferior

Coloque el mango en la posición baja y voltee la aspiradora de modo que la parte del fondo quede hacia arriba. Quite los 4 tornillos con un destornillador Phillips, como se muestra. Saque la placa inferior (A).

3-18

Remoción de la correa usada

Saque el rodillo de escobillas del agitador y la correa usada.

Bote la correa usada.

3-19

Colocación de la nueva correa

Con las letras en la parte de afuera de la correa y con la correa en la posición que se muestra en el recuadro (D), deslice la nueva correa sobre la polea del motor (B).

3-20

Reemplazo del rodillo de escobillas del agitador

Introduzca el agitador a través de la correa y coloque la correa en la guía (C) del agitador.

Si el protector del agitador (D) se desplaza al colocarse la correa o el agitador, vuelva a colocarlo como se muestra observando la posición de la guía para la correa (E).

3-21

Instalación del agitador

Sujete firmemente el agitador y colóquelo en posición, deslizando primero el extremo opuesto de la correa en la ranura rectangular (F) al costado de la aspiradora.

Tire del otro lado del agitador (G) para ponerlo en su lugar.

Voltee el agitador verificando que la correa no quede presionada entre el agitador y el protector del agitador.

3-22

Recolocación de la placa inferior

Vuelva a colocar la placa inferior con los 4 tornillos Phillips de cabeza en cruz. Apriételes bien.

El rodillo de escobillas del agitador **Cuándo reemplazarlo**

El agitador se debe reemplazar cuando sus escobillas estén gastadas.

Para inspeccionar la condición de las escobillas, **desenchufe la aspiradora de la toma de corriente eléctrica**. Pase el borde de una tarjeta a lo ancho de la placa inferior mientras hace girar el agitador. Para mantener una limpieza eficaz, reemplace el agitador si las escobillas no tocan la tarjeta.

Qué comprar

Cuando compre un nuevo agitador, pida la **pieza No. 48414115 de HOOVER**.

3-23

Cómo reemplazarlo

Desenchufe la aspiradora de la toma de corriente eléctrica

Retire la placa inferior, la correa y el agitador siguiendo las instrucciones de la sección "La correa" comenzando con la fig. 3-17.

Bote el agitador usado.

Para volver a colocar la correa, el nuevo agitador y la placa inferior, siga las instrucciones de la sección "La correa".

Limpiadores de bordes **Cuándo reemplazarlos**

Los limpiadores de bordes situados a ambos lados de la boquilla se deben reemplazar cuando aparecen desgastados.

Qué comprar

Cuando compre limpiadores de bordes, pida la **pieza No. 39511004 de HOOVER**.

Cómo reemplazarlos

Desenchufe la aspiradora de la toma de corriente eléctrica.

Quite la placa inferior, como se describe en la sección "La correa" (fig. 3-17).

3-24

Colocación de los limpiadores de bordes

Saque ambos limpiadores de bordes usados y deslice los nuevos en la posición debida, como se muestra.

Vuelva a colocar la placa inferior y asegúrela con 4 tornillos Phillips de cabeza en cruz.

Accesorio de mano turboaccionado

(solamente en algunos modelos)

Reemplazo del rodillo de escobillas del agitador

Cuando las escobillas del rodillo de escobillas del agitador estén gastadas, se deberá reemplazar el rodillo de escobillas del agitador. Pida la **pieza No. 48414088 de HOOVER**.

3-25

Cómo reemplazarlo

1. Desprenda el accesorio de la manguera y voltéelo de manera que la parte inferior esté hacia arriba. Oprima las trabas a ambos lados del accesorio y retire la placa inferior (A).

3-26

2. Destornille los dos tornillos Phillips de cabeza en cruz y retire el protector de la correa (B).

3-27

3. Retire el agitador incluyendo las placas de los extremos (C) y deséchelo.

4. Examine la correa para ver si está en buenas condiciones. Reemplace la correa si está agrietada, cortada o rota (vea la siguiente sección).

5. Coloque el rodillo de escobillas a través de la correa y coloque la correa sobre los dientes de la rueda dentada (D) del rodillo de escobillas.

3-28

6. Con los extremos curvados hacia abajo, deslice las placas de los extremos (C) del rodillo de escobillas dentro de las ranuras (D) del accesorio.

3-29

7. Vuelva a colocar el protector de la correa (B) asegurándose de no pinchar las cerdas de las escobillas en el protector. Haga girar el agitador para asegurarse que lo hace libremente.

Vuelva a colocar los tornillos y apriételes.

3-30

8. Para volver a colocar la placa inferior (A), introduzca las cuatro lengüetas en las ranuras del accesorio.

Gire la placa inferior hacia abajo y encájela en su lugar para cerrarla.

Accesorio de mano turboaccionado **Reemplazo de la correa** **Examine la correa**

La correa del accesorio de mano turboaccionado ha sido diseñada para que dure mucho tiempo y normalmente no necesita ser reemplazada. Sin embargo, la correa deberá ser reemplazada si está agrietada, cortada o rota.

3-31

La correa puede verse por la ventana de la parte superior de la boquilla o retirando la placa inferior y el protector de la correa (figuras 3-25 y 3-26).

Reemplazo de la correa

Cuando reemplace la correa, pida la **pieza No. 38528037 de HOOVER**.

1. Retire la placa inferior, el protector de la correa y el rodillo de escobillas como se muestra en las figuras 3-25 a 3-27.

3-32

2. Sostenga la turbina (E) y jálela con firmeza para sacarla.

3. Saque la correa de la polea de la turbina (F). Reemplace la correa con una nueva.

3-33

4. Con los lados planos de los retenedores (G) de la turbina orientados hacia abajo, deslice los retenedores dentro de las ranuras (H) en la caja del accesorio y encájelos en su sitio.

5. Vuelva a colocar el rodillo de escobillas, el protector de la correa y la placa inferior como se muestra en las figuras 3-27 a 3-30.

Lubricación

El motor tiene cojinetes que cuentan con suficiente lubricación para la duración del motor. La adición de lubricantes podría causar daños. **Por lo tanto, no añada lubricante a los cojinetes del motor.** El agitador tiene dos cojinetes de bolas que deberán ser lubricados periódicamente en un Centro de Servicio de Fábrica de Hoover o por un Concesionario Autorizado de Servicio de Garantía de Hoover (Depósito).

Protector térmico

Su aspiradora tiene incorporado un protector térmico para impedir recalantamiento.

Cuando el protector térmico se activa, la aspiradora se apaga. Si esto sucede, proceda de la manera siguiente:

1. APAGUE la aspiradora y desconéctela de la toma de corriente eléctrica.
2. Revise si se ha acumulado suciedad en los filtros secundario y final.
3. Consulte la sección "Limpieza de obstrucciones".
4. **Una vez que la aspiradora esté obstruccionada y el motor se haya enfriado durante 30 minutos,** el protector térmico se reposiciona automáticamente y se puede seguir pasando la aspiradora.

Se el protector térmico sigue activándose después de efectuar los pasos anteriores, es probable que su aspirador necesita servicio (vea la sección "Servicio").

Servicio

Para obtener el servicio aprobado por HOOVER y piezas genuinas HOOVER, localice el **Centro de Servicio de Fábrica de Hoover o el Concesionario Autorizado de Servicio de Garantía de Hoover (Depósito)** más cercano en la forma siguiente:

- busque en las Páginas Amarillas bajo "Vacuum Cleaners - Household" (Aspiradoras - Uso doméstico), O
- busque en la lista de Centros de Servicio de Fábrica que se proporciona con esta aspiradora, O
- llame al 1-800-944-9200 para una referencia automatizada de la ubicación de los sitios de servicio autorizado (solamente en Estados Unidos).

No envíe su aspiradora a The Hoover Company en North Canton (Estados

Unidos) para obtener servicio; esto sólo ocasionaría demoras.

Si necesita asistencia adicional, comuníquese con el Centro de Respuesta al Cliente de Hoover, The Hoover Company, North Canton, Ohio 44720, Estados Unidos. Teléfono 1-330-499-9499.

En Canadá, comuníquese con Hoover Canada, Burlington, Ontario L7R 4A8. Teléfono 1-800-263-6376. Cuando solicite información o haga un pedido de piezas, identifique siempre a su aspiradora con el número de modelo **completo.** (El número de modelo aparece en la parte inferior de la aspiradora).

Rendimiento de limpieza de Hoover

Este sistema de rendimiento de limpieza de Hoover sirve para comparar el rendimiento progresivo relativo entre las aspiradoras verticales de Hoover solamente y no para realizar comparaciones con ninguna de las otras marcas. Esta clasificación se basa en las pruebas de efectividad de limpieza de alfombras (ASTM Test F608) de la Sociedad Americana de pruebas y materiales (American Society for Testing and Materials [ASTM]). Otros factores que afectan el rendimiento incluyen la potencia de las mangueras (ASTM Test F558), la limpieza de suciedad superficial, limpieza de pisos duros, limpieza de bordes, amplitud de limpieza y filtración de aire.

4. Si tiene un problema

Si ocurre un problema menor, generalmente puede resolverse con bastante facilidad cuando se halla la causa usando esta lista de verificación.

Problema: La aspiradora no funciona

Causa posible
Solución posible

- **No está bien enchufada**
 - *Enchúfela bien*
- **No hay voltaje en la toma de corriente eléctrica de la pared**
 - *Inspeccione el fusible o el interruptor*
- **Fusible quemado/se disparó el interruptor**
 - *Cambie el fusible/reconecte el interruptor*
- **Protector térmico activado**
 - *Espere que la aspiradora se enfríe 30 minutos (esto reajustará el protector térmico) (vea la página 22)*

Problema: La aspiradora no aspira

Causa posible

Solución posible

- **La correa está rota o desgastada**
 - *Cambie la correa*
- **El rodillo de escobillas del agitador está desgastado**
 - *Cambie el rodillo de escobillas*
- **El depósito para polvo está lleno**
 - *Vacíe el depósito*
- **Ajuste incorrecto de la altura para alfombras**
 - *Mueva el control de la altura de la boquilla a una posición más baja*
- **Bloqueo en el paso de aire**
 - *Despeje el bloqueo*
- **El cartucho del filtro HEPA está obstruido**
 - *Limpie el cartucho del filtro HEPA, ya sea dando golpes ligeros al costado del depósito para polvo o sacando el cartucho del filtro, como se describe en la sección "Conjunto del filtro"*
- **El prefiltro está obstruido**
 - *Limpie el prefiltro como se describe en la sección "Conjunto del filtro"*
- **El depósito para polvo no está bien instalado y asegurado**
 - *Coloque bien el depósito para polvo y asegure la traba (fig. 3-4)*
- **La tapa del depósito para polvo no está bien colocada o no está presente**
 - *Verifique que la tapa del depósito para polvo esté bien colocada*
- **El conjunto del filtro no está bien colocado**
 - *Asegúrese de que el conjunto del filtro esté en la posición correcta (fig. del 3-8 al 3-10)*

Problema: Cuesta mucho empujar la aspiradora

Causa posible

Solución posible

- **Ajuste incorrecto de la altura para alfombras**
 - *Mueva el control de la altura de la boquilla a una posición más alta*

Problema: Los accesorios de limpieza no aspiran

Causa posible

Solución posible

- **El mango de la aspiradora no está en posición vertical**
 - *Verifique que el mango de la aspiradora esté trabado en posición vertical*
- **La manguera está obstruida**
 - *Despeje la obstrucción*

Problema: Se puede ver el polvo que sale por el filtro final

Causa posible

Solución posible

- **El conjunto del filtro no ha sido bien instalado**
- *Saque el conjunto del filtro del depósito para polvo y asegúrese de que el filtro de cartucho HEPA esté bien adjuntado al prefiltro y que todo el conjunto del filtro se vuelva a colocar en la forma adecuada dentro del depósito para polvo (fig. del 3-5 al 3-10).*

Problema: El polvo dentro del depósito para polvo deja de girar

Nota: Los residuos pesados pueden asentarse al fondo del depósito para polvo y evitar que el polvo gire sin afectar el rendimiento de la limpieza. La aspiradora puede continuar usándose inclusive si el polvo no gira dentro del depósito para polvo.

Sin embargo, si el polvo deja de girar y hay una disminución marcada del rendimiento, verifique lo que dice bajo "La aspiradora no aspira".

Problema: El rodillo de escobillas del accesorio de mano turboaccionado (en algunos modelos) no gira

Causa posible

Solución posible

- **Se está aplicando demasiada presión al accesorio.**
- *Continúe usando el accesorio aplicando una presión ligera*
- **Bloqueo en el canal de la turbina**
- *Retire la obstrucción*
- **La correa está rota o desgastada**
- *Cambie la correa*
- **Hay muy poca succión**
- *Vea la sección "Hay pérdida de succión"*

Eliminación de obstrucciones

Desenchufe la aspiradora de la toma de corriente eléctrica.

Antes de aspirar, saque los objetos grandes de la superficie, a fin de evitar obstrucciones y mantener la eficiencia de limpieza de su aspiradora.

Consulte los siguientes pasos a fin de verificar si hay obstrucciones, **siguiendo los pasos uno a uno hasta que encuentre la obstrucción.**

A. Si ocurre una obstrucción durante la limpieza del piso:

Apague (OFF) la aspiradora y desenchúfela de la toma de corriente eléctrica.

1. Verifique si el depósito de polvo y el conjunto del filtro están llenos. Vacíe el depósito y limpie los filtros si es necesario.

4-1

Revisión del ducto para polvo

2. Quite los tornillos de la parte trasera inferior del mango de la aspiradora (A) y quite el ducto para polvo inferior (B).

3. Retire la obstrucción de las secciones del ducto para polvo.

4-2

Revisión por debajo de la placa inferior

4. Apague la aspiradora y desenchúfela.

5. Quite la placa inferior, la correa y el agitador (vea la sección "La correa").

Busque dentro de la abertura (C) para ver si hay obstrucciones y retirelas.

6. Quite el protector del agitador (vea la fig. 3-20) y retire cualquier suciedad suelta que haya podido acumularse por debajo.

B. Si ocurre una obstrucción mientras se usan los accesorios:

Apague la aspiradora y desenchúfela de la toma de corriente eléctrica.

1. Verifique si hay una obstrucción en el extremo de la manguera y retírela en caso de haberla.

2. Verifique si hay una obstrucción en el ducto para polvo inferior (fig. 4-1).

C. Si ocurre una obstrucción mientras se usa el accesorio de mano turboaccionado (solamente en algunos modelos):

4-3

1. Desconecte el accesorio de mano de turboaccionado la manguera. Retire la placa inferior, el protector de la correa y la turbina como se muestra en las figuras 3-25, 3-26 y 3-33.

Retire la obstrucción del canal (D) de la turbina.

Vuelva a colocar la correa, la turbina, el rodillo de escobillas, el protector de la correa y la placa inferior.

Garantía de un año completo (Para uso doméstico)

Su artefacto HOOVER® está garantizado en caso de uso doméstico normal, según el Manual del Propietario, contra defectos originales en el material y la fabricación por el período de un año completo a contar de la fecha de compra. La presente garantía cubre gratuitamente la mano de obra y las piezas necesarias para dejar este artefacto en buen estado de funcionamiento durante el período de garantía. Esta garantía es válida si el artefacto fue comprado en los Estados Unidos, en sus territorios y posesiones o en Canadá o en una tienda situada en una base militar de los EE.UU. Los artefactos comprados en otros lugares están cubiertos por una garantía limitada de un año que cubre solamente el costo de las piezas. Esta garantía no es válida si el artefacto es utilizado para uso comercial o de alquiler.

El servicio bajo la garantía se puede obtener solamente al presentar el artefacto en uno de los centros autorizados de servicio de garantía indicados a continuación. Puede requerirse la presentación de un comprobante de compra antes de efectuar el servicio.

1. Centros de Servicio de Fábrica de Hoover
2. Concesionarios autorizados de servicio de garantías de Hoover (Depósitos)

Para obtener una referencia automatizada de la ubicación de los sitios autorizados para servicio de productos en los Estados Unidos, llame al 1-800-944-9200.

Esta garantía no cubre la recogida, la entrega, ni las visitas a domicilio; sin embargo, si envía su artefacto a un Centro de Servicio de Fábrica de Hoover para un servicio de garantía, el transporte se pagará en una sola dirección.

Esta garantía le otorga derechos específicos; usted puede tener otros derechos que varían de estado a estado.

Si necesita asistencia adicional o si tiene preguntas sobre esta garantía, o la disponibilidad de centros de servicio bajo garantía, escriba o llame al Centro de Respuesta al Cliente, The Hoover Company, 101 East Maple St., North Canton, Ohio 44720, Estados Unidos. Teléfono 1-330-499-9499.

En Canadá, comuníquese con Hoover Canada, Burlington, Ontario L7R 4A8. Teléfono 1-800-263-6376.

HOOVER®

Aspirateur sans sac

Windtunnel^{MC}

de Hoover

Merci d'avoir choisi ce produit HOOVER®.

Cet aspirateur a été inspecté et emballé avec soin avant sa sortie de l'usine. Si vous avez besoin d'aide au cours de l'utilisation ou de l'assemblage de l'appareil, composez le :

1-800-944-9200 pour accéder à un service d'aide automatique qui vous indiquera les adresses des Centres de service autorisés (É.-U. seulement) ou

le 1-330-499-9499 pour parler à un représentant du Centre d'aide à la clientèle.

PRIÈRE DE NE PAS RETOURNER CET APPAREIL AU DÉTAILLANT.

Guide de l'utilisateur

FRANÇAIS → pp. 24-31

Lire attentivement ces instructions avant d'utiliser l'aspirateur.

Economisez !

Index

Assemblage	25
Contenu de l'emballage	25
Description de l'appareil	25
Utilisation	25
Accessoires de nettoyage	26
Dépannage	30
Dégagement des obstructions	31
Consignes de sécurité importantes	24
Lubrification	29
Entretien	
Service autorisé	30
Nettoyage des filtres	27
Vidage du vide-poussière	27
Remplacement du rouleau-brosse	28
Remplacement du rouleau-brosse de accessoire portable à turbine	29
Remplacement de la courroie	28
Remplacement de la courroie de accessoire portable à turbine	29
Remplacement des balais latéraux	29
Remplacement de l'ampoule	28
Protection thermique	29
Garantie	31



Remplir et conserver

Cet aspirateur est un combiné. Il est conçu pour nettoyer les tapis et les moquettes et peut être utilisé pour d'autres tâches, avec des accessoires de nettoyage.

Les numéros de modèle et de série sont inscrits au bas de l'appareil. Inscrivez les numéros COMPLETS de série et de modèle dans les espaces ci-dessous, et conservez ce document pour référence ultérieure.

Numéro de modèle _____

Numéro de série _____

Il est recommandé de joindre votre reçu de caisse à ce document, car une vérification de la date d'achat peut être effectuée avant toute réparation de votre produit HOOVER couverte par la garantie.

Consignes de sécurité importantes !

Durant l'utilisation d'un appareil électrique, toujours respecter les précautions élémentaires, y compris les consignes suivantes :

LIRE TOUTES LES INSTRUCTIONS AVANT D'UTILISER CET APPAREIL

Avertissement : Afin de réduire au minimum les risques d'incendie, de choc électrique ou de blessures :

- Ne pas utiliser l'appareil à l'extérieur ou sur une surface mouillée.
- Faire preuve d'une grande prudence lorsque l'appareil est utilisé par des enfants ou près de ceux-ci. Ne pas utiliser l'aspirateur comme jouet ou le laisser en marche sans surveillance.
- Garder cheveux, vêtements, doigts, pieds ou toute autre partie du corps à bonne distance des ouvertures et des pièces mobiles de l'appareil. Ne pas utiliser l'appareil pieds nus, ni avec des sandales ou des souliers qui laissent les orteils à découvert.
- Ne pas utiliser l'aspirateur pour ramasser une matière qui dégage de la fumée ou qui brûle, comme des cigarettes, des allumettes ou des cendres encore chaudes.
- Ne pas utiliser l'aspirateur pour ramasser des liquides inflammables ou combustibles comme de l'essence ou de la sciure, ou dans des endroits où de tels composés sont présents.
- Éviter d'aspirer des objets durs et acérés. Ils pourraient endommager l'aspirateur.
- Toujours éteindre l'appareil avant d'enlever ou de poser le tuyau.
- Ne pas utiliser l'appareil si le vide-poussière ou les filtres ne sont pas en place. Si des matériaux très fins sont aspirés (p. ex. de la poudre), vider le vide-poussière et nettoyer le filtre fréquemment.
- Faire preuve d'une grande prudence pendant le nettoyage d'escaliers.
- Ne pas introduire d'objets dans les ouvertures. S'assurer qu'aucune ouverture n'est obstruée ; garder celles-ci exemptes de poussière, de mousse, de cheveux ou de toute autre matière qui pourrait réduire le débit d'air.
- Ne pas tirer l'appareil par le cordon d'alimentation, utiliser le cordon pour transporter ou soulever l'appareil, coincer, écraser ou tirer le cordon autour de coins ou d'arêtes vives. Garder le cordon loin de toute surface chaude.
- Toujours débrancher l'aspirateur avant d'en faire l'entretien.
- Débrancher l'appareil s'il n'est pas utilisé. Désactiver toutes les commandes avant de débrancher l'appareil.
- Ne pas tirer sur le cordon d'alimentation pour débrancher l'appareil. Saisir la prise mâle et non le cordon. Ne jamais manipuler la prise mâle ou l'appareil avec les mains mouillées.
- L'utilisation d'une rallonge électrique n'est pas recommandée.
- Ne pas utiliser si la fiche ou le cordon sont endommagés. Si l'appareil fonctionne mal, s'il est tombé par terre ou dans l'eau, s'il est endommagé ou laissé à l'extérieur, il doit être apporté à un Centre de service en usine Hoover ou à un atelier de service garanti autorisé Hoover (dépôt).
- N'utiliser cet aspirateur que conformément à son usage prévu, tel que décrit dans le présent guide. N'utiliser que les accessoires recommandés par Hoover ; d'autres accessoires pourraient s'avérer dangereux.

Rangez et conservez ces instructions !

Des questions ou des préoccupations ?

La compagnie Hoover veut remédier immédiatement à tous les problèmes que vous pouvez avoir avec votre aspirateur ou répondre à vos questions sur son utilisation. Consulter la liste fournie avec le produit pour le **centre de service usine Hoover** local ou les pages jaunes de l'annuaire sous la rubrique « Aspirateurs - domestiques » pour le dépôt de service de garantie Hoover autorisé le plus proche ou appeler:

Hoover Canada –
1-800-463-3923 (Montréal)

PRIÈRE DE NE PAS Renvoyer ce produit au magasin ni le renvoyer à Burlington pour un entretien.

Utiliser les instructions numérotées de cette section française avec les illustrations numérotées correspondantes de la section anglaise de ce guide.

1. Assemblage

Contenu de l'emballage

1-1

Retirer l'aspirateur de sa boîte et identifier les pièces illustrées. Avant de disposer de l'emballage en carton, s'assurer qu'aucune pièce ne manque.

- A. Manche
- B. Base de l'appareil
- C. Tuyau, accessoires de nettoyage et rallonge (incorporés à l'appareil)
- D. Accessoire portatif à turbine (certains modèles)

Remarque : Le verrou blanc, situé au-dessus de l'interrupteur Marche/Arrêt (ON/OFF), s'avère utile lors de l'assemblage de l'aspirateur. Même s'il est possible de procéder à l'assemblage lorsque l'interrupteur n'est pas verrouillé, veiller à ne pas l'enlever avant que l'assemblage ne soit terminé.

ÉTAPE 1 Assemblage du manche

1-2

Enlever le carton (A) et les vis de à l'arrière du manche. Jeter le carton.

1-3

Ouvrir le couvercle du compartiment à accessoires de l'appareil (B).

Retirer accessoire portatif à turbine (certains modèles seulement).

1-4

Regarder à l'arrière de l'appareil puis s'assurer que l'interrupteur est à la position OFF.

1-5

Glisser la section du manche à l'arrière du manche.

Insérer les vis dans les trous à l'arrière du manche.

Bien serrer les vis à l'aide d'un tournevis Phillips.

Retirer l'accessoire portatif à turbine (sur certains modèles) du sac en plastique et le remettre dans la section de rangement.

1-6

Enlever le verrou (C) de l'interrupteur Marche/Arrêt (ON/OFF) (D) au-dessus de ce dernier, en tirant dessus. Mettre le verrou au rebut.

Si le verrou s'est détaché au cours de l'assemblage, s'assurer que l'interrupteur est à la position arrêt (OFF) (vers le bas) avant de brancher l'appareil dans une prise de courant.

2. Utilisation

2-1

Description de l'appareil

Une fois assemblé, l'aspirateur sera identique à la figure ci-contre. Modèle avec accessoire portatif à turbine.

1. Manche
2. Interrupteur Marche/Arrêt (ON/OFF)
3. Couvercle pour accessoires
4. Brosse à épousseter
5. Accessoire portatif à turbine* ou bec suceur* (selon le modèle)
6. Embout pour mobilier
7. Verrou du vide-poussière
8. Couvercle du vide-poussière
9. Vide-poussière
10. Poignée du vide-poussière
11. Filtre HEPA à cartouche
12. Préfiltre
13. Filtre terminal
14. Pédale de dégagement du manche
trois positions : Appuyer sur la

pédale pour abaisser le manche à sa position de fonctionnement ou à la position basse.

15. **Commande de réglage de la hauteur :** Faire glisser la commande au réglage désiré en fonction de la longueur des poils du tapis à nettoyer.
16. **Protège-meubles**
17. **Éclairage**
18. **Balais latéraux**
19. **Tuyau**
20. **Support de tuyau**
21. **Crochets pour cordon :** Enrouler le cordon autour des crochets. Le crochet supérieur pivote vers la gauche ou la droite, ce qui facilite le dégagement du cordon.
22. **Poignée de transport**
23. **Rallonges**
24. **Rallonge suceuse* :** se range dans la rallonge arrière

* certains modèles seulement

N'utiliser l'appareil qu'à la tension spécifiée sur la plaque signalétique, située au bas de l'appareil.

Cet appareil est conçu pour une utilisation domestique seulement.

Fiche polarisée

Afin que les risques d'électrocution soient minimales, cet appareil a été pourvu d'une fiche polarisée (une broche est plus large que l'autre). Elle ne pourra être insérée dans une prise d'alimentation que dans un sens. Si la fiche n'entre pas, la retourner et essayer de nouveau. Si elle ne peut être branchée, s'adresser à un électricien qualifié, qui installera une prise d'alimentation conforme. Ne modifier la fiche polarisée sous aucun prétexte.

Interrupteur Marche/Arrêt (ON/OFF)

Brancher le cordon dans une prise d'alimentation. Pour mettre l'appareil en marche (ON), pousser l'interrupteur vers le haut. Pour éteindre l'appareil arrêt (OFF), pousser l'interrupteur vers le bas.

2-2

Transport de l'aspirateur

Pour déplacer l'appareil d'une pièce à l'autre, placer le manche à la position verticale, incliner l'appareil sur ses roues arrière, et pousser.

2-3

Autre possibilité

On peut aussi soulever l'aspirateur pour le transporter, à l'aide de la poignée de transport.

2-4

Positions du manche

Le manche de l'aspirateur comporte trois positions ; **position verticale**, pour le rangement et pendant l'utilisation d'embouts ; **position de fonctionnement**, pour l'utilisation normale sur les planchers et tapis ; et **position basse** pour nettoyer sous les meubles. Appuyer avec le pied sur le levier de dégagement du manche pour l'abaisser.

2-5

Réglage de la hauteur

La buse (A) nettoie les tapis et moquettes.

Lorsqu'il est nécessaire de monter ou d'abaisser la buse en fonction des différentes longueurs de poils de tapis, il suffit de régler le sélecteur (B) de la façon appropriée.

2-6

Positions du manche

Le sélecteur coulissera plus facilement si le manche est à la verticale (C).

La buse ne s'ajustera pas à la position voulue tant que le manche ne sera pas à la position de fonctionnement (D).

2-7

Réglages

Pour une performance maximale, les réglages de hauteur suivants sont recommandés :

• **Réglage le plus bas** : pour les planchers à surface dure et tous les types de tapis.

Remarque : S'il est difficile de déplacer l'appareil pendant le nettoyage, utiliser un réglage supérieur à celui en cours.

• **Réglages supérieurs** : pour les tapis très épais, où un effort moindre est désiré tout en maintenant une bonne performance.

2-8

Nettoyage des tapis légers et flexibles

Rester sur une extrémité du tapis puis diriger l'aspirateur vers l'extrémité opposée. Avant d'atteindre le rebord, pousser sur le manche pour soulever la buse (devant de l'aspirateur) afin que le tapis ne reste pas coincé. Continuer de soulever le devant de l'aspirateur, de façon à ce qu'il ne touche plus du tout au tapis une fois le rebord atteint. Ramener

l'appareil vers soi, rabaisser le devant de l'aspirateur puis répéter l'opération, en s'assurant que l'appareil n'aspire que lorsqu'il se déplace vers l'avant.

2-9

Aspiration le long des rebords

Les deux côtés de la buse de l'aspirateur sont pourvus de balais latéraux qui aident au ramassage de la saleté se trouvant très près des meubles et des plinthes. Il suffit de placer n'importe quel côté de l'aspirateur parallèle au bord du mur ou du meuble.

2-10

Nettoyage d'escaliers

Pour le nettoyage d'escaliers, utiliser le tuyau et accessoire portatif à turbine* ou l'embout pour mobilier. Commencer avec la marche du bas, puis monter.

Pendant l'utilisation des embouts de nettoyage, l'agitateur continue de tourner.

MISE EN GARDE : Afin d'éviter les blessures ou l'usure prématurée du tapis et d'empêcher l'appareil de se renverser, placer toujours celui-ci au bas des escaliers.

*certains modèles seulement

2-11

Pose du couvercle pour accessoires

Le couvercle est pourvu d'un dispositif de protection, qui lui permettra de se détacher s'il est ouvert trop grand.

Pour le remettre en place, aligner les pentures du couvercle avec les rainures sur le côté de la section de rangement des accessoires.

Appuyer sur le couvercle pour le fixer en place.

Accessoires de nettoyage

Les accessoires permettent de nettoyer des surfaces au-dessus du plancher et d'atteindre des endroits difficiles d'accès.

Pour l'utilisation des accessoires, le manche doit être à la position verticale.

MISE EN GARDE : L'agitateur continue de tourner lorsque le manche est à la verticale. Pendant l'utilisation des embouts de nettoyage, éviter d'incliner l'appareil ou de le poser sur des meubles, des tapis à franges ou des escaliers avec

tapis.

2-12

Pose de la rallonge et des accessoires

Fixer l'accessoire ou la rallonge au tuyau (E).

Ajouter la deuxième rallonge ou l'accessoire (F) en l'enfonçant à l'extrémité de la rallonge.

Tourner légèrement la rallonge ou l'accessoire pour serrer ou desserrer le raccordement.

Nettoyage des accessoires

Pour nettoyer le tuyau et l'accessoire portatif à turbine, essuyer la saleté avec un chiffon trempé dans un détergent doux. Rincer avec un chiffon humide. Éviter d'immerger l'accessoire à turbine.

Les accessoires peuvent être lavés à l'eau tiède avec un détergent. Rincer puis laisser sécher à l'air libre avant de les réutiliser.

2-13

Choix de l'embout/ accessoire approprié

G. La brosse à épousseter peut être utilisée pour les boiseries sculptées, dessus de tables, livres, lampes, luminaires, stores vénitiens, plinthes, stores et grilles à registre.

H. La buse pour mobilier convient pour les meubles rembourrés, draperies, tapisseries, matelas, vêtements, intérieurs d'auto et escaliers avec tapis.

I. Accessoire portatif à turbine* peut être utilisé pour les meubles rembourrés, escaliers avec tapis et endroits difficiles d'accès.

J. Le bec suceur* peut s'employer dans les espaces restreints ou les coins et les rebords d'endroits tel que tiroirs d'armoire, meubles rembourrés, escaliers et plinthes.

K. La rallonge suceuse* s'utilise dans les espaces restreints ou les coins et les rebords d'endroits tel que tiroirs d'armoire, meubles rembourrés, escaliers et plinthes. Elle peut aussi donner une portée supplémentaire à la brosse à épousseter et/ou à la rallonge.

L. Les rallonges* prolongent votre tuyau. Elles peuvent être utilisées avec n'importe quel embout indiqué plus haut.

*inclus sur certains modèles

2-14

Fixation du boyau*

Poussez le commutateur arrêt / marche en position. Déposez le boyau normal de l'aspirateur. Alignez l'extrémité du boyau longue portée avec les projections (M) sur les fentes (N) du conduit de saleté.

2-15

Glissez le boyau dans (N) et tournez-le pour le bloquer en place. (Pour détacher le boyau, inversez la procédure.) Fixez les raccords ou les accessoires à l'autre extrémité du boyau.

*Vendu séparément si non inclus avec votre aspirateur.

3. Entretien

Nous vous recommandons de vous familiariser avec les opérations d'entretien. L'utilisation et l'entretien adéquats de l'appareil assureront son bon fonctionnement.

3-1

Vide-poussière

Le compartiment du vide-poussière comprend les éléments suivants :

Couvercle (A)
Vide-poussière (B)
Préfiltre (C)
Filtre HEPA à cartouche (D)
Orifice d'entrée de la poussière (E)

Lorsque l'aspirateur est en marche, le préfiltre empêche les débris plus volumineux d'entrer dans la chambre du filtre HEPA à cartouche. Ces débris s'accumuleront dans le côté gauche du vide-poussière. Le filtre HEPA à cartouche filtrera les fines particules qui auront traversé le préfiltre.

Quand le vider ?

Il est recommandé de vider le vide-poussière avant que la poussière n'atteigne l'orifice d'entrée situé à l'arrière du vide-poussière (Fig. 3-1), ou après chaque usage si désiré.

MISE EN GARDE : Des matières très fines, comme la poudre pour le visage, la fécule de maïs ou la suie de foyer, peuvent sceller le filtre et réduire la succion. Lorsque l'appareil est utilisé pour aspirer de tels produits, vider le vide-poussière et nettoyer les filtres plus souvent.

3-2

Comment le vider ?

Débrancher l'aspirateur de la prise de courant. Éviter d'utiliser l'aspirateur si le vide-poussière ou les filtres ne sont pas en place.

Pousser le loquet (F) vers la gauche pour libérer le vide-poussière.

Soulever légèrement le vide-poussière et le tirer **directement** hors de l'appareil.

Enlever le couvercle.

Remarque : Il n'est pas nécessaire d'enlever le filtre HEPA à cartouche pour vider le vide-poussière.

Tapoter le côté du sac jusqu'à ce qu'aucune particule ne tombe du filtre HEPA à cartouche.

3-4

Replacer le couvercle du vide-poussière.

Insérer le vide-poussière **directement** dans la cavité de l'appareil. La base du vide-poussière doit reposer derrière les rainures, au fond de la cavité (G).

Pousser le loquet (F) vers la droite pour fixer en place.

Compartiment du filtre

Le filtre HEPA à cartouche et le préfiltre sont pratiquement autonettoyants.

Tapoter le côté du vide-poussière tel que décrit dans la section « Comment vider le vide-poussière ? ». Cela devrait suffire à enlever la poussière et les fines particules du filtre HEPA à cartouche et du préfiltre.

Le compartiment du filtre peut aussi être retiré pour un nettoyage supplémentaire.

3-5

Comment nettoyer le compartiment du filtre ?

Retirer le vide-poussière et son couvercle de la façon décrite dans la section « Comment vider le vide-poussière ? ».

Saisir le boîtier du préfiltre et le tirer fermement. Faire glisser le compartiment du filtre hors du vide-poussière.

3-6

Saisir l'extrémité du filtre HEPA à cartouche et le tirer doucement hors du préfiltre. Retirer la cartouche du compartiment.

Le **préfiltre (C)** peut être nettoyé avec une brosse, puis rincé à l'eau. Faire sécher complètement le préfiltre.

3-7

Il est recommandé de nettoyer le filtre HEPA à cartouche en tapant l'une ou l'autre des extrémités. **NE PAS tapoter**

les côtés plissés du filtre HEPA à cartouche. Cela pourrait endommager le filtre.

Tapoter le filtre jusqu'à ce qu'il n'y ait plus de particules qui en tombent.

3-8

Pour rassembler le compartiment du filtre, placer le grand bouton du filtre HEPA à cartouche dans le trou au fond du préfiltre.

Enclencher le dessus du filtre HEPA à cartouche à sa place.

3-9

Aligner les rainures (H) sur le boîtier du préfiltre avec les rainures (I) du vide-poussière.

3-10

Faire glisser le compartiment du filtre dans le vide-poussière jusqu'à ce qu'un déclic se fasse entendre. Soulever légèrement le compartiment pour s'assurer qu'il repose bien au fond du vide-poussière. S'assurer qu'aucune partie de la grille de préfiltrage ne dépasse pas le rebord supérieur du vide-poussière.

Replacer le couvercle et remettre le sac dans l'aspirateur (Fig. 3-4).

Filtres secondaire et terminal

3-11

Nettoyage du filtre secondaire

Débrancher l'aspirateur de la prise de courant.

Le **filtre secondaire (J)** se trouve derrière la grille, dans la partie inférieure du corps de l'appareil. Il protège le moteur des particules de saleté.

S'il devient sale, enlever le vide-poussière (Fig. 3-2). Retirer la vis, puis la grille. Soulever le filtre pour l'enlever.

Laver à la main, avec un détergent doux et de l'eau froide, puis laisser sécher à l'air libre.

Replacer le filtre, la grille et la vis, puis remettre le vide-poussière en place.

Si le filtre doit être changé, demander la **pièce n° 38762008 de HOOVER.**

3-12

Nettoyage du filtre terminal

Le **filtre terminal** participe au processus

de filtration et permet de retourner de l'air propre dans la pièce.

Quand ce filtre est sale, l'enlever en ouvrant la porte sur le côté de l'aspirateur.

Retirer le filtre (K) puis le laver à la main avec un détergent doux et de l'eau froide.

Laisser sécher le filtre à l'air libre et le replacer sur le côté de l'aspirateur. S'assurer que le côté blanc du filtre fait face à l'extérieur. Fermer la porte.

Si le filtre doit être changé, demander la **pièce n° 40110006 de HOOVER**.

Ne pas utiliser l'aspirateur si le vide-poussière ou les filtres ne sont pas en place.

3-13

Rattachement de la porte du filtre

La porte du compartiment du filtre est pourvue d'un dispositif de protection qui lui permet de se détacher si elle est ouverte de façon exagérée.

Pour la rattacher, aligner les charnières (L) du couvercle avec les rainures sur les côtés du filtre.

Remettre la porte à sa place en appuyant dessus.

Vérification du protège-rouleau

Étant donné la grande efficacité de votre aspirateur, nous vous recommandons fortement de surveiller toute accumulation de débris sous le protège-rouleau à chaque nettoyage des filtres.

L'enlèvement des débris accumulés aidera l'aspirateur à maintenir l'efficacité de l'appareil. Pour enlever les débris :

1. Débrancher l'aspirateur de la prise de courant.
2. Vérifier l'accumulation de débris en retirant la plaque inférieure (Fig. 3-17) et le rouleau (Fig. 3-18), puis en soulevant le protège-rouleau (Fig. 3-20).
3. Enlever les débris, puis replacer le protège-rouleau, le rouleau et la plaque inférieure (Fig. 3-20 à 3-22).

Ampoule Quoi acheter ?

Cet appareil utilise une ampoule 912 de 12 volts, à culot poussoir, **pièce n° 27313101 de Hoover**.

3-14

Enlèvement du verre protecteur

Débrancher l'aspirateur de la prise de courant.

À l'aide d'un tournevis, retirer les deux vis (tel qu'illustré), puis soulever le verre protecteur.

3-15

Installation de l'ampoule

Tirer sur l'ampoule brûlée pour l'enlever de la douille. Enfoncer directement la nouvelle ampoule dans la douille jusqu'à ce qu'elle se bloque en place.

Il n'est pas nécessaire d'appliquer une force excessive.

3-16

Remise en place du verre protecteur

Replacer le verre protecteur et le fixer en place avec les deux vis.

Remplacement de la courroie

La courroie dont est pourvu votre aspirateur Hoover entraîne la rotation de l'agitateur, d'où son importance pour le bon fonctionnement de l'appareil. La courroie est située sous la plaque inférieure de l'aspirateur ; la vérifier régulièrement afin de s'assurer de sa bonne condition.

Quand la remplacer ?

Débrancher l'aspirateur de la prise de courant.

Pour vérifier l'état de la courroie, retirer la plaque inférieure tel qu'indiqué au paragraphe « Comment remplacer la courroie ? ». La courroie doit être remplacée si elle est étirée, coupée ou sectionnée.

Quoi acheter ?

Afin de s'assurer du fonctionnement optimal de l'appareil, n'utiliser que des courroies d'origine de HOOVER. À l'achat d'une nouvelle courroie, demander la **pièce n° 38528033 de HOOVER**.

3-17

Comment la remplacer ?

Débrancher l'aspirateur de la prise de courant.

Enlèvement de la plaque inférieure

Placer le manche à la position basse, puis retourner l'appareil.

À l'aide d'un tournevis Phillips, retirer les 4 vis, tel qu'illustré.

Enlever la plaque inférieure (A).

3-18

Retrait de la courroie usée

Retirer le rouleau-brosse de l'agitateur et la courroie usée.

Jeter la courroie usée.

3-19

Pose de la nouvelle courroie

En plaçant la courroie tel qu'illustré en (D), avec le lettrage à l'extérieur, la faire passer dans la poulie du moteur (B).

3-20

Remise en place du rouleau-brosse

Insérer le rouleau-brosse dans la courroie et placer la courroie dans le guide de courroie (C) sur le rouleau-brosse.

Si le protège-rouleau (D) se déloge au cours de la remise en place de la courroie ou du rouleau, le replacer tel qu'illustré, en vérifiant l'emplacement du guide de courroie (E).

3-21

Mise en place du rouleau-brosse

Saisir le rouleau-brosse fermement et le positionner en faisant d'abord glisser l'extrémité opposée à la courroie dans la rainure rectangulaire (F) sur le côté de l'aspirateur.

Mettre en place l'autre côté du rouleau-brosse (G).

Faire tourner le rouleau-brosse pour s'assurer que la courroie n'est pas coincée entre le rouleau et le protège-rouleau.

3-22

Remise en place de la plaque inférieure

Replacer la plaque inférieure et les quatre (4) vis Phillips. Bien serrer les vis.

Remplacement du rouleau-brosse de l'agitateur Quand le remplacer ?

Le rouleau-brosse doit être remplacé lorsque les brosses sont usées.

Pour vérifier la condition des brosses, **débrancher d'abord l'appareil de la prise de courant**. Placer un morceau de carton en travers de la plaque inférieure tout en faisant tourner le rouleau-brosse. Afin de maintenir l'efficacité de l'appareil, remplacer le rouleau-brosse si les brosses ne touchent pas au carton.

Quoi acheter ?

Au moment d'acheter un nouveau rouleau-brosse, demander la **pièce n° 48414115 de HOOVER**.

3-23

Comment le remplacer ?

Débrancher l'appareil de la prise de courant.

Retirer la plaque inférieure, la courroie et le rouleau-brosse selon les directives de la section « Courroie », qui commence à la Figure 3-17.

Jeter le vieux rouleau-brosse.

Continuer de suivre les directives de la section « Courroie » pour replacer la plaque inférieure, la courroie et le rouleau-brosse.

Remplacement des balais latéraux Quand les remplacer ?

Les balais latéraux situés des deux côtés de la buse doivent être remplacés lorsqu'ils sont usés.

Quoi acheter ?

Lors de l'achat de balais, demander la **pièce n° 39511004 de HOOVER**.

Remplacement des balais

Débrancher l'appareil de la prise de courant.

Retirer la plaque inférieure, tel que décrit dans la section « Courroie » (Fig. 3-17).

3-24

Pose des balais latéraux

Soulever, puis retirer les vieux balais latéraux et faire glisser les nouveaux balais en place, tel qu'illustré.

Replacer la plaque inférieure et la fixer avec 4 vis Phillips.

Accessoire portatif à turbine

(certains modèles seulement)

Remplacement de l'agitateur de accessoire portatif à turbine

Lorsque les brosses de l'agitateur sont usées, le rouleau-brosse doit être remplacé. Demander la **pièce n° 48414088 de HOOVER**.

3-25

Comment le remplacer ?

1. Retirer l'embout du tuyau puis le retourner. Enfoncer les loquets de chaque côté de l'embout puis retirer la plaque inférieure (A).

3-26

2. Enlever les deux vis Phillips puis retirer le protège-courroie (B).

3-27

3. Retirer l'agitateur, y compris les plaques d'extrémité (C), puis le mettre au rebut.

4. Inspecter la courroie pour s'assurer qu'elle est en bonne condition. La courroie doit être remplacée si elle est fendillée, coupée ou sectionnée (voir la section suivante pour son remplacement).

5. Insérer le rouleau-brosse dans la courroie et placer cette dernière sur les dents de l'engrenage (D) du rouleau-brosse.

3-28

6. Vérifier que les extrémités recourbées sont face vers le bas, puis glisser les plaques d'extrémité (C) du rouleau-brosse dans les rainures (D) de l'embout.

3-29

7. Replacer le protège-courroie (B), en s'assurant de ne pas y coincer les brosses.

Tournez l'agitateur, pour vous assurer qu'il ne coince pas.

Replacer et serrer les vis.

3-30

8. Pour replacer la plaque inférieure (A), insérer les quatre languettes dans les rainures de l'embout.

Faire pivoter la plaque inférieure vers le bas et appuyer pour fixer en place. Un déclic se fera entendre.

Accessoire portatif à turbine

Remplacement de la courroie

Inspection de la courroie

Accessoire portatif à turbine est conçu pour durer longtemps et normalement il n'a pas à être remplacé. Il doit toutefois être remplacé si la courroie est fendillée, coupée ou sectionnée.

3-31

La courroie est visible par le hublot situé sur le dessus de l'embout ou en enlevant la plaque inférieure et le protège-courroie (Fig. 3-25 et 3-26).

Remplacement de la courroie

À l'achat d'une nouvelle courroie, demander la **pièce n° 38528037 de HOOVER**.

1. Retirer la plaque inférieure, le protège-courroie et le rouleau-brosse, tel que décrit aux Figures 3-25 à 3-27.

3-32

2. Saisir fermement la turbine (E) et tirer fermement pour l'enlever.

3. Retirer la courroie de la poulie de la turbine (F). Remplacer par la nouvelle courroie.

3-33

4. Vérifier que les côtés plats des pièces de retenue de la turbine (G) pointent vers le bas, puis faire glisser ces pièces dans les rainures (H) de chaque côté du boîtier de l'embout. Enfoncer pour fixer en place (un déclic se fera entendre).

5. Replacer la plaque inférieure, le protège-courroie et le rouleau-brosse, tel que décrit aux Figures 3-27 à 3-30.

Lubrification

Le moteur est pourvu de deux paliers suffisamment lubrifiés pour toute la durée de vie du moteur. Toute lubrification supplémentaire pourrait causer des dommages. **Éviter de lubrifier les paliers du moteur.** L'agitateur est pourvu de deux roulements à bille qui doivent être lubrifiés périodiquement à un Centre de service en usine Hoover ou à un atelier de service garanti autorisé Hoover (dépôt).

Protection thermique

Votre aspirateur est équipé d'une protection thermique interne pour le protéger contre les surchauffes.

Lorsque, la protection thermique est activée, l'aspirateur arrête de fonctionner. Dans ce cas, procédez de la sorte :

1. Coupez arrêt (OFF) (l'aspirateur) et débranchez-le de la prise électrique.

2. Examinez l'accumulation de saleté dans le filtre secondaire et le filtre final.

3. Reportez-vous à la section « Débouchages ».

4. **Lorsque l'aspirateur est débranché et le moteur refroidi pendant 30 minutes**, la protection thermique se réinitialise automatiquement et l'aspiration peut reprendre.

Se la protection thermique continue de s'activer après avoir suivi les étapes ci-dessus, l'aspirateur peut avoir besoin d'être réparé (voir la section « Réparation »).

Service autorisé

Pour obtenir le service autorisé HOOVER ou des pièces d'origine HOOVER, il vous faut l'adresse du **Centre de service en usine Hoover ou de l'atelier de service garanti autorisé Hoover (dépôt)** le plus près de chez vous. Pour l'obtenir, vous pouvez :

- Consulter les Pages Jaunes sous la rubrique « Aspirateurs domestiques - Vente & Service », OU
- Vérifier la liste des Centres de service en usine fournie avec cet appareil, OU
- Composer le **1-800-944-9200** pour écouter un message vous indiquant les adresses des Centres de service autorisés (É.-U. seulement).

Prière de ne pas envoyer votre appareil à l'adresse de North Canton pour qu'il soit réparé. Il n'en résulterait que des délais supplémentaires.

Si d'autres renseignements sont requis, communiquer avec le Centre d'aide à la clientèle Hoover, North Canton, Ohio 44720 Téléphone : 1-330-499-9499

Au Canada, s'adresser à Hoover Canada, Burlington, Ontario L7R 4A8 Téléphone : 1-800-463-3923 (Montréal) Au moment de demander des renseignements ou de commander des pièces, toujours identifier l'appareil par son numéro de modèle **complet**. (Le numéro se trouve au bas de l'aspirateur.)

Performance de nettoyage Hoover

Ce système d'évaluation de performance de nettoyage de Hoover est uniquement conçu pour comparer la progression de la performance relative des aspirateurs verticaux Hoover et non pour les comparer à d'autres marques. La majeure partie de cette évaluation est basée sur le test d'efficacité de nettoyage de tapis de l'American Society for Testing and Materials (ASTM) (ASTM Test F608). Les autres facteurs de performance incluent la puissance du tuyau (ASTM Test F558), le nettoyage des

saletés de surface, le nettoyage des surfaces dures, le nettoyage des rebords, la largeur du nettoyage et la filtration de l'air.

4. Dépannage

Lorsqu'un problème d'ordre mineur survient, il peut habituellement être résolu très facilement. Il suffit de consulter la liste ci-dessous pour en trouver la cause.

Problème : L'aspirateur refuse de fonctionner

Cause possible

Solution possible

- **L'appareil est mal branché**
- *Bien enfoncer la fiche dans la prise d'alimentation*
- **La prise d'alimentation ne fournit aucune tension**
- *Vérifier le fusible ou le disjoncteur*
- **Fusible grillé/disjoncteur désenclenché**
- *Remplacer le fusible/réenclencher le disjoncteur*
- **Protecteur thermique activé**
- *Laisser refroidir l'appareil pendant 30 minutes (cela permettra au protecteur de se réenclencher). Voir page 30.*

Problème : L'appareil refuse d'aspirer

Cause possible

Solution possible

- **Courroie cassée ou usée**
- *Remplacer la courroie*
- **Les poils du rouleau-brosse sont usés**
- *Remplacer le rouleau-brosse*
- **Vide-poussière plein**
- *Vider le vide-poussière*
- **Mauvais réglage de la hauteur**
- *Régler le sélecteur de hauteur en fonction du tapis à nettoyer*
- **Blocage du passage de l'air**
- *Débloquer le tuyau*
- **Filtre HEPA à cartouche bloqué**
- *Nettoyer le filtre HEPA à cartouche soit en tapant le côté du vide-poussière ou en enlevant le filtre, tel que décrit dans la section « Compartiment du filtre »*
- **Préfiltre bloqué**
- *Nettoyer le préfiltre, tel que décrit dans la section « Compartiment du filtre »*
- **Vide-poussière mal installé et verrouillé**
- *Placer le vide-poussière*

correctement et bloquer le verrou (Fig. 3-4)

- **Couvercle du vide-poussière mal placé ou manquant**
- *S'assurer que le couvercle est placé correctement*
- **Compartiment du filtre mal assemblé**
- *S'assurer que le compartiment est bien placé (Figures 3-8 à 3-10)*

Problème : L'appareil est difficile à pousser

Cause possible

Solution possible

- **Mauvais réglage de la hauteur**
- *Régler la commande de hauteur à un niveau plus élevé*

Problème : Les accessoires de nettoyage n'aspirent pas la saleté

Cause possible

Solution possible

- **Manche pas en position verticale**
- *S'assurer que le manche est verrouillé en position verticale*
- **Tuyau obstrué**
- *Débloquer le tuyau*

Problème : De la poussière s'échappe du filtre terminal

Cause possible

Solution possible

- **Compartiment du filtre mal installé**
- *Enlever le compartiment du filtre du vide-poussière S'assurer que le filtre HEPA à cartouche est bien fixé à la grille de préfiltrage et que l'ensemble du compartiment du filtre est bien placé à l'intérieur du vide-poussière (Figs. 3-5 à 3-10).*

Problème : La poussière à l'intérieur du vide-poussière cesse de tourner

Remarque : Il est possible que des débris plus lourds se déposent au fond du vide-poussière et empêchent la poussière de tourner, sans toutefois affecter la performance de l'aspirateur. Dans un tel cas, l'appareil peut être utilisé même si la poussière a cessé de tourner à l'intérieur du vide-poussière. Toutefois, si la poussière cesse de tourner ET que la performance diminue, vérifier les items sous « L'appareil refuse d'aspirer ».

Problème : Le rouleau-brosse de accessoire portatif à turbine refuse de fonctionner (certains modèles seulement)

Cause possible
Solution possible

- **Pression excessive appliquée sur l'embout**
- *Continuer l'utilisation de l'embout, en n'appliquant qu'une pression moins forte*
- **Obstruction dans le conduit de la turbine**
- *Débloquer l'obstruction*
- **Courroie brisée ou usée**
- *Remplacer la courroie*
- **Faible succion de l'aspirateur**
- *Consulter la section « Perte de succion »*

Déblocage des obstructions

Débrancher l'aspirateur de la prise de courant.

Afin de prévenir les obstructions et de maintenir l'efficacité de l'appareil, retirer les débris de grosse taille des surfaces avant de passer l'aspirateur.

Suivre dans l'ordre les étapes suivantes jusqu'à ce que la source du blocage soit identifiée.

A. Si une obstruction survient au cours du nettoyage de planchers:

Éteindre et débrancher l'appareil.

1. Vérifier le niveau du vide-poussière et du compartiment du filtre; si nécessaire, vider le vide-poussière et nettoyer les filtres.

4-1

Vérifier le conduit à poussière

2. Enlever les vis sur la partie inférieure arrière du manche (A) et retirer le conduit à poussière inférieur (B).

3. Enlever toute obstruction du conduit.

4-2

Vérification sous la plaque inférieure

4. Éteindre, puis débrancher l'aspirateur.

5. Retirer la plaque inférieure, la courroie et le rouleau-brosse (voir la section « Courroie »).

Regarder dans l'ouverture (C) et enlever toute obstruction.

6. Retirer le protège-rouleau (voir Fig. 3-20) et enlever tout débris accumulé sous cette pièce.

B. Si un blocage se produit au cours de l'utilisation des accessoires :

Éteindre, puis débrancher l'appareil.

1. Regarder dans le tuyau et supprimer toute obstruction.

2. Vérifier que le conduit à poussière inférieur n'est pas obstrué. (Fig. 4-1)

C. Si un blocage se produit pendant l'utilisation de accessoire portatif à turbine (certains modèles seulement) :

4-3

1. Débrancher accessoire portatif à turbine du tuyau. Retirer la plaque inférieure, le protège-courroie et la turbine, tel que décrit aux Fig. 3-25, 3-26 et 3-33.

Enlever toute obstruction dans le conduit de la turbine (D).

Replacer la turbine, le rouleau-brosse, le protège-courroie et la plaque inférieure.

Garantie complète d'un an (Usage domestique)

Votre appareil HOOVER® est garanti dans des conditions d'usage domestique, tel que stipulé dans le guide de l'utilisateur, contre les défauts de matériau et de fabrication pendant un an après la date d'achat original. Cette garantie vous offre, sans frais supplémentaires, les pièces et la main-d'œuvre nécessaires à la remise de l'appareil en bon état de fonctionnement au cours de la période garantie. La présente garantie s'applique si l'appareil a été acheté aux États-Unis, ce qui comprend ses territoires et possessions, au Canada ou par l'intermédiaire du programme d'échanges militaires américain. Les appareils achetés ailleurs sont couverts par une garantie limitée d'un an qui couvre le coût des pièces seulement. La présente garantie ne s'applique pas si l'appareil est utilisé à des fins commerciales ou de location.

Le service couvert par la garantie ne peut être obtenu qu'en envoyant l'appareil à l'un des points de service autorisés ci-dessous. Une preuve d'achat sera exigée avant que toute réparation soit effectuée.

1. Centres de service en usine Hoover
2. Atelier de service garanti autorisé Hoover (dépôt).

Pour accéder à un service d'aide automatique qui vous donnera la liste des centres de service autorisés Hoover aux États-Unis, composer le 1-800-944-9200.

Cette garantie ne couvre ni l'enlèvement de l'appareil, ni sa livraison, ni les appels à domicile. Toutefois, si vous envoyez l'appareil par la poste à un centre de service Hoover pour une réparation couverte par la garantie, les frais de retour de l'appareil seront couverts.

Cette garantie vous confère des droits légaux spécifiques. Il se peut que vous bénéficiiez d'autres droits, lesquels varieront selon la juridiction de votre état (ou province).

Pour de plus amples informations, ou en cas de questions sur la présente garantie ou l'emplacement des différents centres de service, écrire à l'adresse suivante ou composer le numéro indiqué : The Consumer Response Center, 101 East Maple St., North Canton, Ohio 44720. Téléphone : 1-330-499-9499.

Au Canada, s'adresser à Hoover Canada, Burlington, Ontario L7R 4A8 Téléphone : 1-800-463-3923 (Montréal).

HOOVER y  son marcas registradas

HOOVER et  sont des marques déposées

HOOVER and  are registered trademarks