



MICROWAVE HOOD COMBINATION

Use & Care Guide

In Canada, call for assistance 1-800-461-5681, for installation
and service, call: 1-800-807-6777

or visit our website at...
www.whirlpool.com/canada

ENSEMBLE FOUR À MICRO-ONDES/HOTTE

Guide d'utilisation et d'entretien

Au Canada, pour assistance, composez le 1-800-461-5681, pour
installation ou service, le 1-800-807-6777

ou visitez notre site web à
www.whirlpool.com/canada

Table of Contents/Table des matières 2

Model/Modèle YGH8155XM

TABLE OF CONTENTS

| | |
|--------------------------------------|-----------|
| MICROWAVE OVEN SAFETY | 3 |
| Electrical Requirements | 5 |
| PARTS AND FEATURES | 5 |
| Turntable | 5 |
| Cooking Rack..... | 6 |
| MICROWAVE OVEN CONTROL | 6 |
| Display | 6 |
| Progress Bar..... | 7 |
| Number Codes..... | 7 |
| Start | 7 |
| JET START™ Feature..... | 7 |
| Cancel•Off..... | 7 |
| Clock | 7 |
| Tones..... | 7 |
| Timer..... | 8 |
| Child Lock | 8 |
| Vent Fan | 8 |
| Cooktop Light..... | 8 |
| Demo Mode..... | 8 |
| MICROWAVE OVEN USE | 8 |
| Food Characteristics | 8 |
| Cooking Guidelines..... | 9 |
| Cookware and Dinnerware | 9 |
| Aluminum Foil and Metal | 9 |
| Cooking Power..... | 10 |
| Cooking | 10 |
| Sensor Cooking..... | 10 |
| Preset Cooking..... | 11 |
| Cooking in Stages..... | 11 |
| Reheating | 12 |
| Defrosting | 12 |
| Steaming | 13 |
| Simmering | 13 |
| Warm Hold | 13 |
| MICROWAVE OVEN CARE | 14 |
| General Cleaning..... | 14 |
| Replacing Filters..... | 14 |
| Replacing Cooktop Light | 15 |
| Replacing Microwave Oven Light | 15 |
| TROUBLESHOOTING | 15 |
| ASSISTANCE OR SERVICE | 16 |
| Replacement Parts & Accessories..... | 16 |
| WARRANTY | 17 |

TABLE DES MATIÈRES

| | |
|--|-----------|
| SÉCURITÉ DU FOUR À MICRO-ONDES | 19 |
| Spécifications électriques | 21 |
| PIÈCES ET CARACTÉRISTIQUES | 22 |
| Plateau rotatif | 22 |
| Grille de cuisson | 22 |
| TABLEAU DE COMMANDE DU FOUR À MICRO-ONDES | 23 |
| Affichage..... | 23 |
| Barre de progression..... | 23 |
| Codes de chiffres | 23 |
| Mise en marche..... | 23 |
| Caractéristique JET START™..... | 23 |
| Annulation•arrêt | 23 |
| Horloge | 24 |
| Signaux sonores..... | 24 |
| Minuterie..... | 24 |
| Verrouillage pour enfants | 24 |
| Ventilateur d'évacuation..... | 24 |
| Lampe de la table de cuisson | 24 |
| Mode de démonstration..... | 24 |
| UTILISATION DU FOUR À MICRO-ONDES | 25 |
| Caractéristiques des aliments..... | 25 |
| Guide de cuisson..... | 25 |
| Ustensiles de cuisson et vaisselle..... | 26 |
| Papier d'aluminium et métal..... | 26 |
| Puissance de chauffage..... | 26 |
| Cuisson..... | 27 |
| Cuisson à détection | 27 |
| Cuisson pré réglée | 28 |
| Cuisson par étapes | 28 |
| Réchauffage | 29 |
| Décongélation | 29 |
| Étuvage..... | 30 |
| Mijotage..... | 30 |
| Garder au chaud..... | 31 |
| ENTRETIEN DU FOUR À MICRO-ONDES | 31 |
| Nettoyage général | 31 |
| Remplacement des filtres | 32 |
| Remplacement de la lampe de la table de cuisson..... | 32 |
| Remplacement de la lampe du four..... | 33 |
| DÉPANNAGE | 33 |
| ASSISTANCE OU SERVICE | 34 |
| Pièces de rechange et accessoires | 34 |
| GARANTIE | 35 |



MICROWAVE OVEN SAFETY

Your safety and the safety of others are very important.

We have provided many important safety messages in this manual and on your appliance. Always read and obey all safety messages.



This is the safety alert symbol.

This symbol alerts you to potential hazards that can kill or hurt you and others.

All safety messages will follow the safety alert symbol and either the word "DANGER" or "WARNING." These words mean:

! DANGER

You can be killed or seriously injured if you don't immediately follow instructions.

! WARNING

You can be killed or seriously injured if you don't follow instructions.

All safety messages will tell you what the potential hazard is, tell you how to reduce the chance of injury, and tell you what can happen if the instructions are not followed.

IMPORTANT SAFETY INSTRUCTIONS

When using electrical appliances basic safety precautions should be followed, including the following:

WARNING: To reduce the risk of burns, electric shock, fire, injury to persons, or exposure to excessive microwave energy:

- Read all instructions before using the microwave oven.
- Read and follow the specific "PRECAUTIONS TO AVOID POSSIBLE EXPOSURE TO EXCESSIVE MICROWAVE ENERGY" found in this section.
- The microwave oven must be grounded. Connect only to properly grounded outlet. See "GROUNDING INSTRUCTIONS" found in this section and in the provided Installation Instructions.
- Install or locate the microwave oven only in accordance with the provided Installation Instructions.
- Some products such as whole eggs in the shell and sealed containers – for example, closed glass jars – are able to explode and should not be heated in the microwave oven.
- Use the microwave oven only for its intended use as described in this manual. Do not use corrosive chemicals or vapors in the microwave oven. This type of oven is specifically designed to heat, cook, or dry food. It is not designed for industrial or laboratory use.
- As with any appliance, close supervision is necessary when used by children.
- Do not operate the microwave oven if it has a damaged cord or plug, if it is not working properly, or if it has been damaged or dropped.
- The microwave oven should be serviced only by qualified service personnel. Call an authorized service company for examination, repair, or adjustment.
- See door surface cleaning instructions in the "Microwave Oven Care" section.
- To reduce the risk of fire in the oven cavity:
 - Do not overcook food. Carefully attend the microwave oven when paper, plastic, or other combustible materials are placed inside the oven to facilitate cooking.
 - Remove wire twist-ties from paper or plastic bags before placing bags in oven.
 - If materials inside the oven ignite, keep oven door closed, turn oven off, and disconnect the power cord, or shut off power at the fuse or circuit breaker panel.
 - Do not use the cavity for storage purposes. Do not leave paper products, cooking utensils, or food in the cavity when not in use.

SAVE THESE INSTRUCTIONS

IMPORTANT SAFETY INSTRUCTIONS

- Liquids, such as water, coffee, or tea are able to be overheated beyond the boiling point without appearing to be boiling. Visible bubbling or boiling when the container is removed from the microwave oven is not always present. **THIS COULD RESULT IN VERY HOT LIQUIDS SUDDENLY BOILING OVER WHEN THE CONTAINER IS DISTURBED OR A SPOON OR OTHER UTENSIL IS INSERTED INTO THE LIQUID.**
To reduce the risk of injury to persons:
 - Do not overheat the liquid.
 - Stir the liquid both before and halfway through heating it.
 - Do not use straight-sided containers with narrow necks.
 - After heating, allow the container to stand in the microwave oven for a short time before removing the container.
 - Use extreme care when inserting a spoon or other utensil into the container.
- Suitable for use above both gas and electric cooking equipment.
- Intended to be used above ranges with maximum width of 36 inches.
- Clean Ventilating Hoods Frequently - Grease should not be allowed to accumulate on hood or filter.
- Oversized foods or oversized metal utensils should not be inserted in the microwave oven as they may create a fire or risk of electric shock.
- Do not clean with metal scouring pads. Pieces can burn off the pad and touch electrical parts involving a risk of electric shock.
- Do not use paper products when appliance is operated in the "PAN BROWN" mode (on models with this feature).
- Do not store any materials, other than manufacturer's recommended accessories, in this oven when not in use.
- Do not store anything directly on top of the microwave oven when the microwave oven is in operation.
- When flaming foods under the hood, turn the fan on.
- Use care when cleaning the vent-hood filter. Corrosive cleaning agents, such as lye-based oven cleaners, may damage the filter.
- Do not cover or block any openings on the microwave oven.
- Do not store this microwave oven outdoors. Do not use the microwave oven near water - for example, near a kitchen sink, in a wet basement, or near a swimming pool, or similar locations.
- Do not immerse cord or plug in water.
- Keep cord away from heated surfaces.
- Do not let cord hang over edge of table or counter.
- Do not mount over a sink.
- Do not cover racks or any other part of the oven with metal foil. This will cause overheating of the oven.

SAVE THESE INSTRUCTIONS

PRECAUTIONS TO AVOID POSSIBLE EXPOSURE TO EXCESSIVE MICROWAVE ENERGY

- (a) Do not attempt to operate this oven with the door open since open-door operation can result in harmful exposure to microwave energy. It is important not to defeat or tamper with the safety interlocks.
- (b) Do not place any object between the oven front face and the door or allow soil or cleaner residue to accumulate on sealing surfaces.
- (c) Do not operate the oven if it is damaged. It is particularly important that the oven door close properly and that there is no damage to the:
 - (1) Door (bent),
 - (2) Hinges and latches (broken or loosened),
 - (3) Door seals and sealing surfaces.
- (d) The oven should not be adjusted or repaired by anyone except properly qualified service personnel.

Electrical Requirements

⚠ WARNING



Electrical Shock Hazard

Plug into a grounded 3 prong outlet.

Do not remove ground prong.

Do not use an adapter.

Do not use an extension cord.

Failure to follow these instructions can result in death, fire, or electrical shock.

Observe all governing codes and ordinances. A 120 Volt, 60 Hz, AC only, 15- or 20-amp fused electrical supply is required. (A time-delay fuse or circuit breaker is recommended.) It is recommended that a separate circuit serving only this appliance be provided.

GROUNDING INSTRUCTIONS

■ For all cord connected appliances:

The microwave oven must be grounded. In the event of an electrical short circuit, grounding reduces the risk of electric shock by providing an escape wire for the electric current. The microwave oven is equipped with a cord having a grounding wire with a grounding plug. The plug must be plugged into an outlet that is properly installed and grounded.

WARNING: Improper use of the grounding plug can result in a risk of electric shock. Consult a qualified electrician or serviceman if the grounding instructions are not completely understood, or if doubt exists as to whether the microwave oven is properly grounded.

Do not use an extension cord. If the power supply cord is too short, have a qualified electrician or serviceman install an outlet near the microwave oven.

■ For a permanently connected appliance:

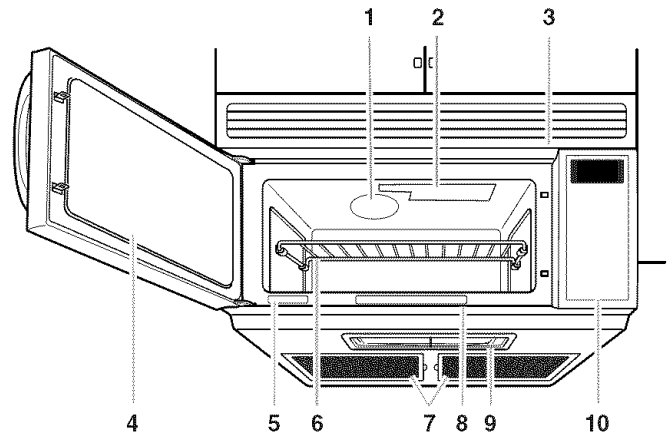
This appliance must be connected to a grounded, metallic, permanent wiring system, or an equipment grounding conductor should be run with the circuit conductors and connected to the equipment grounding terminal or lead on the appliance.

SAVE THESE INSTRUCTIONS

This device complies with Part 18 of the FCC Rules.

PARTS AND FEATURES

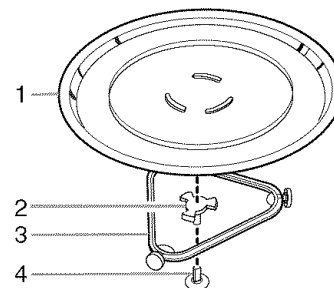
This manual may cover several different models. The model you have purchased may have some or all of the features shown here. The appearance of your particular model may differ slightly from the illustrations in this manual.



- | | |
|--|------------------------|
| 1. Microwave Inlet Cover | 8. Cooking Guide Label |
| 2. Microwave Oven Light | 9. Cooktop Light |
| 3. Vent Grille | 10. Control Panel |
| 4. Metal Shielded Window | |
| 5. Model and Serial Number Plate | |
| 6. Cooking Rack | |
| 7. Charcoal and Grease Filters (shipped in oven cavity) | |

Parts and Features not shown
Turntable
Steamer Vessel

Turntable



1. Turntable
2. Hub
3. Support
4. Shaft

The turntable can rotate in either direction to help cook food more evenly. Do not operate the oven without the turntable in place. See "Assistance or Service" to reorder any of the parts.

To Install:

1. Remove tape from the hub.
2. Place the support on the oven cavity bottom.
3. Place the turntable on the support.

Fit the raised, curved lines in the center of the turntable bottom between the three spokes of the hub. The rollers on the support should fit inside the turntable bottom ridge.

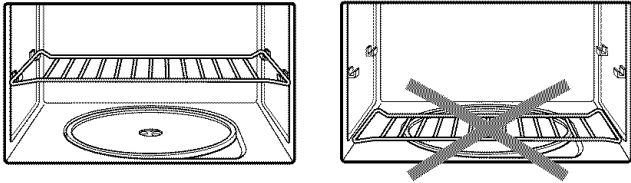
Turning Off the Turntable

The turntable can be turned off (except during an auto function). This is helpful when cooking with plates that are larger than the turntable or when cooking with two 10¼ in. (26 cm) plates that are side by side.

To Turn Off: Touch TURNTABLE ON•OFF. A “turntable off” icon will appear in the display. The turntable will turn back on automatically when cooking is over or CANCEL•OFF is touched.

Cooking Rack

The cooking rack is ideal for two-level cooking. It provides extra cavity space for cooking 2 or more containers at the same time. Insert the rack securely into the rack supports on the side walls of the oven. See “Assistance or Service” section to reorder rack.



- Rack will become hot. Always use oven mitts or pot holders when handling.
- Do not allow the rack to touch the inside cavity walls, ceiling or floor.
- Do not use metal cookware, utensils, or a browning dish with the rack.
- Do not let food container on rack touch the top or sides of the oven.
- Do not place popcorn bags on rack.
- The rack is designed specifically for this oven. Do not use it in any other oven.
- Do not cook food directly on the rack. Always use a microwave-safe container.
- Use the rack only when cooking on two levels. Do not store it in the oven. Damage to the oven could result if someone accidentally turns on the oven.

MICROWAVE OVEN CONTROL



Display

When power is first supplied to the microwave oven, a “.” will blink on the display. Touch CANCEL•OFF to stop the blinking. If the “.” blinks on the display at any other time, a power failure has occurred. Touch CANCEL•OFF and reset the clock if needed. If “RETRY” blinks on the display for 1 second, an invalid value has been entered. Retry your entry.

When the microwave oven is in use, the display shows cooking power, quantities, weights and/or prompts. When the microwave oven is not in use, the display shows the time of day or Timer countdown.

Progress Bar



The progress bar is a visual picture of the estimated running time of a cooking cycle. It will appear during Cook, JET DEFROST™ feature, Reheat and Sensor One Touch functions. The lines in each of the segments will light from left to right as the time nears the end. When all 12 lines (all 3 segments) are lit, the cooking cycle is complete.

Number Codes

The microwave oven is preset with shortcut number codes. A number code includes one or more of the following: cooking power, cook time and food quantity or weight. See the charts in the “Cooking” and/or “Reheating” sections for additional information.

Start

The START pad begins any function. If not touched within 5 seconds after touching a pad, “START?” will appear on the display as a reminder. If not touched within 1 minute after touching a pad, the display will return to the time of day mode and the programmed function will be canceled.

If cooking is interrupted, touching START will resume the preset cycle.

JET START™ Feature

The JET START™ control will start any function. If not touched within 5 seconds after touching a pad, “START?” will appear on the display as a reminder. If not touched within 5 minutes after touching a pad, the display will return to the time of day mode and the programmed function will be canceled.

If cooking is interrupted, touching the JET START™ control will resume the preset cycle.

The JET START™ control, touched by itself, will automatically start the microwave oven for a 30 second cook time at 100% cooking power.

The JET START™ control, touched while the microwave oven is operating in any cook function, will add 30 seconds of cook time at the cook power currently in use. Each touch of the JET START™ console pad will add 30 additional seconds of cook time.

Cancel•Off

The CANCEL•OFF pad stops most functions except for the Timer, Child Lock and Demo Mode.

The microwave oven will also turn off when the door is opened. Close the door and touch START to resume the cycle.

Clock

This is a 12-hour clock and does not show a.m. or p.m.

To Set:

The microwave oven and timer must be off.

1. Touch CLOCK.
2. Touch the number pads to set the time of day.
3. Touch CLOCK or START.

To Remove:

1. Touch CLOCK.
2. Touch 0.
3. Touch CLOCK.

The time will disappear, and “:” will appear on the display.

Tones

Tones are audible signals, indicating the following:

One tone

- Valid entry (short tone)
- End of Timer countdown (long tone)

Two tones

- Reminder, repeat each minute after the end-of-cycle tones
- End of stage in multistage cooking
- Turn food during defrost cycle (short tones)
- Hidden feature has been entered or exited

Three tones

- Invalid entry

Four tones

- End of cycle

To Turn Off/On Valid Entry Tones: Touch and hold the number pad “1” for 5 seconds until 2 tones sound. Repeat to turn tones back on.

To Turn Off/On All Tones: Touch and hold the number pad “2” for 5 seconds until 2 tones sound. Repeat to turn tones back on.

Timer

The Timer can be set in minutes and seconds, up to 99 minutes 99 seconds and counts down the set time. The Timer does not start or stop the microwave oven.

When the Timer is in use, the microwave oven can also operate. To see the countdown for 5 seconds when the microwave oven is in use, touch TIMER SET.

To Set:

1. Touch TIMER SET.

If no action is taken after 1 minute, the display will return to the time of day mode.

2. Touch the number pads to set the length of time.
3. Touch TIMER SET or START.

If not touched within 5 seconds, "START?" will appear on the display. If not touched within 1 minute, the display will return to the time of day mode and the programmed function will be canceled.

When the set time ends, "END" will appear on the display and 1 tone will sound.

4. Touch TIMER OFF at any time to cancel the Timer.

The length of time can be changed during the countdown by repeating the above steps.

Child Lock

The Child Lock shuts down the control panel pads to prevent unintended use of the microwave oven.

When the control is locked, only the Vent Fan and Light pads will function.

To Lock/Unlock Control: The microwave oven and Timer must be off. Touch and hold START for 5 seconds until 2 tones sound and a lock icon appears on the display. Repeat to unlock and remove the lock icon from display.

Vent Fan

The vent fan has 4 speeds ranging from 4 (fastest) to 1 (slowest). Zero (0) is off.

To protect the microwave oven, if the temperature from the range or cooktop below the microwave oven gets too hot, the vent fan will automatically turn on at speed 4. It may stay on for up to 1 hour to cool the microwave oven. When this occurs, the Vent Fan pad will not function.

To Turn Vent Fan On/Off: Repeatedly touch the VENT FAN 4 SPEEDS pad to cycle through the four speeds 4, 3, 2 and 1 and off, 0. "FAN" and the selected number will appear on the display for 2 seconds.

Cooktop Light

The cooktop light has 3 settings: on, night and off.

To Turn On/Night/Off: Touch LIGHT ON•NIGHT•OFF repeatedly to cycle through settings.

Demo Mode

The Demo Mode is ideal for learning how to use the microwave oven. When set, functions can be entered without actually turning on the magnetron. The microwave oven light will come on, the fan will run and, if on, the turntable will rotate.

To Turn On/Off: The microwave oven and Timer must be off. Touch and hold TIMER OFF for 5 seconds until 2 tones sound and "d" appears on the display. Repeat to turn off and remove "d" from the display.

MICROWAVE OVEN USE

A magnetron in the oven produces microwaves which reflect off the metal floor, walls and ceiling and pass through the turntable and appropriate cookware to the food. Microwaves are attracted to and absorbed by fat, sugar and water molecules in the food, causing them to move, producing friction and heat which cooks the food.

- Never lean on or allow children to swing on the oven door.
 - Do not operate microwave oven when it is empty.
 - The turntable must be in place and correct side up when oven is in use. Do not use if turntable is chipped or broken. See "Assistance or Service" section to reorder.
 - Baby bottles and baby food jars should not be heated in the oven.
 - Clothes, flowers, fruit, herbs, wood, gourds, paper, including brown paper bags and newspaper should not be dried in the oven.
 - Do not use the microwave oven for canning, sterilizing or deep frying. The oven cannot maintain appropriate temperatures.
 - Paraffin wax will not melt in the oven because it does not absorb microwaves.
 - Use oven mitts or pot holders when removing containers from oven.
 - Do not overcook potatoes. At the end of the recommended cook time, potatoes should be slightly firm. Let potatoes stand for 5 minutes. They will finish cooking while standing.
 - Do not cook or reheat whole eggs inside the shell. Steam buildup in whole eggs may cause them to burst. Cover poached eggs and allow a standing time.
-

Food Characteristics

When microwave cooking, the amount, size and shape, starting temperature, composition and density of the food affect cooking results.

Amount of Food

The more food heated at once, the longer the cook time. Check for doneness and add small increments of time if necessary.

Size and Shape

Smaller pieces of food will cook more quickly than larger pieces, and uniformly shaped foods cook more evenly than irregularly shaped food.

Starting Temperature

Room temperature foods will heat faster than refrigerated foods, and refrigerated foods will heat faster than frozen foods.

Composition and Density

Foods high in fat and sugar will reach a higher temperature and heat faster than other foods. Heavy, dense foods, such as meat and potatoes, require a longer cook time than the same size of a light, porous food, such as cake.

Cooking Guidelines

Covering

Covering food helps retain moisture, shorten cook time and reduce spattering. Use the lid supplied with cookware. If a lid is not available, wax paper, paper towels or plastic wrap approved for microwave ovens may be used. Plastic wrap should be turned back at one corner to provide an opening to vent steam.

Stirring and Turning

Stirring and turning redistributes heat evenly to avoid overcooking the outer edges of food. Stir from outside to center. If possible, turn food over from bottom to top.

Arranging

If heating irregularly shaped or different sized foods, the thinner parts and smaller sizes should be arranged toward the center. If cooking several items of the same size and shape, place them in a ring pattern, leaving the center of the ring empty.

Piercing

Before heating, use a fork or small knife to pierce or prick foods that have a skin or membrane, such as potatoes, egg yolks, chicken livers, hot dogs, and sausage. Prick in several places to allow steam to vent.

Shielding

Use small, flat pieces of aluminum foil to shield the thin pieces of irregularly shaped foods, bones and foods such as chicken wings, leg tips and fish tail. See "Aluminum Foil and Metal" first.

Standing Time

Food will continue to cook by the natural conduction of heat even after the microwave cycle ends. The length of standing time depends on the volume and density of the food.

Cookware and Dinnerware

Cookware and dinnerware must fit on the turntable. Always use oven mitts or pot holders when handling because any dish may become hot from heat transferred from the food. Do not use cookware and dinnerware with gold or silver trim. Use the following chart as a guide, then test before using.

| MATERIAL | RECOMMENDATIONS |
|----------------------|---|
| Aluminum Foil, Metal | See "Aluminum Foil and Metal" section. |
| Browning Dish | Bottom must be at least $\frac{3}{16}$ in. (5 mm) above the turntable. Follow manufacturer's recommendations. |

| MATERIAL | RECOMMENDATIONS |
|---|--|
| Ceramic Glass, Glass | Acceptable for use. |
| China, Earthenware | Follow manufacturer's recommendations. |
| Melamine | Follow manufacturer's recommendations. |
| Paper Towels, Dinnerware, Napkins | Use nonrecycled and those approved by the manufacturer for microwave oven use. |
| Plastic Wraps, Bags, Covers, Dinnerware, Containers | Use those approved by the manufacturer for microwave oven use. |
| Pottery and Clay | Follow manufacturer's recommendations. |
| Styrofoam* | Do not use in oven. |
| Straw, Wicker, Wooden Containers | Do not use in oven. |
| Wax Paper | Acceptable for use. |

To Test Cookware or Dinnerware for Microwave Use:

- Put cookware or dinnerware in oven with 1 cup (250 mL) of water beside it.
- Cook at 100% cooking power for 1 minute.

Do not use cookware or dinnerware if it becomes hot and the water stays cool.

Aluminum Foil and Metal

Always use oven mitts or pot holders when removing dishes from the microwave oven.

Aluminum foil and some metal can be used in the oven. If not used properly, arcing (a blue flash of light) can occur and cause damage to the oven.

OK for Use

Racks and bakeware supplied with the oven (if supplied), aluminum foil for shielding, and approved meat thermometers may be used with the following guidelines:

- Never allow aluminum foil or metal to touch the inside cavity walls, ceiling or floor.
- Always use the turntable.
- Never allow contact with another metal object during cooking.

Do Not Use

Metal cookware and bakeware, gold, silver, pewter, non-approved meat thermometers, skewers, twist ties, foil liners such as sandwich wrappers, staples and objects with gold or silver trim or a metallic glaze should not be used in the oven.

Cooking Power

Many recipes for microwave cooking specify which cooking power to use by percent, name or number. For example, 70%=7=Medium-High.

Use the following chart as a general guide for the suggested cooking power of specific foods.

| PERCENT/ NAME | NUMBER | USE |
|---------------------------------|--------|--|
| 100%, High (default setting) | 10 | Quick heating convenience foods and foods with high water content, such as soups, beverages and most vegetables. |
| 90% | 9 | Cooking small tender pieces of meat, ground meat, poultry pieces and fish fillets. Heating cream soups. |
| 80% | 8 | Heating rice, pasta or casseroles. Cooking and heating foods that need a cook power lower than high. For example, whole fish and meat loaf. |
| 70%, Medium-High | 7 | Reheating a single serving of food. |
| 60% | 6 | Cooking sensitive foods such as cheese and egg dishes, pudding and custards. Cooking nonstirrable casseroles, such as lasagna. |
| 50%, Medium | 5 | Cooking ham, whole poultry and pot roasts. Simmering stews. |
| 40% | 4 | Melting chocolate. Heating bread, rolls and pastries. |
| 30%, Medium-Low, Defrost | 3 | Defrosting bread, fish, meats, poultry and precooked foods. |
| 20% | 2 | Softening butter, cheese, and ice cream. |
| 10%, Low | 1 | Taking chill out of fruit. |

Cooking

To Use:

1. Touch COOK TIME.
Touch number pads to enter cooking time.
2. Touch COOK POWER.
Touch number pads to enter power level, if other than 100%.
3. Touch START.
The display will count down the cook time.
When the cycle ends, "END" will appear in the display, 4 end-of-cycle tones will sound, and then reminder tones will sound every minute.
4. Touch CANCEL•OFF or open the door to clear the display and/or stop reminder tones.
The cook time and power may be changed after touching START without interrupting cooking.

To Change Cook Time: Touch COOK TIME. The countdown will freeze for a few seconds. Enter the new cook time and touch START or wait a few seconds for the countdown to resume.

To Change Cook Power: Touch COOK POWER repeatedly to scroll through the cook power levels. Touch START.

Sensor Cooking

A sensor in the microwave oven detects humidity released from the food and automatically sets a cooking time based on the food being cooked.

Use the following chart as a guide for the Sensor pads.

| FOOD | SERVING SIZE | INSTRUCTIONS |
|----------------------|---|--|
| *Popcorn | 3.5 oz (100 g) 3 oz (85 g) 1.75 oz (50 g) | Pop only one package at a time. |
| Baked Potato | 1-4 medium, 10-13 oz (283- 369 g) each | Pierce each one several times with a fork. Place on turntable around edges, at least 1 in. (2.5 cm) apart. At the end of cooking, let stand 5 minutes. |
| Fresh Vegetables | 1-4 cups (250 mL-1 L) | Moisten and place in microwavable container. Cover with plastic wrap and vent. Stir and let stand 2-3 minutes. |
| Frozen Vegetables | 1-4 cups (250 mL-1 L) | Remove from package. Place in microwavable container. Cover with plastic wrap and vent. Stir and let stand 2-3 minutes. |
| Frozen Entree | 10-20 oz (283-567 g) | Remove from package. Loosen cover on three sides. If not in microwavable container, place on plate, cover with plastic wrap and vent. |

| FOOD | SERVING SIZE | INSTRUCTIONS |
|--------------|--|---|
| Beverage | 1 or 2 8-oz (250 mL) cups | Do not cover. The diameter of the cup's opening will affect how it heats. A smaller diameter opening may become hotter. |
| Dinner Plate | 1 serving (1 plate), 8-16 oz (227-454 g) | Place food on plate, cover with plastic wrap and vent. |
| Soup | 1-4 cups (250 mL-1 L) | Place in microwavable container, cover with plastic wrap and vent. |

*Do not use regular paper bags or glassware. Listen for popping to slow to 1 pop every 1 or 2 seconds, then stop the cycle. Do not try to pop unpopped kernels. Use fresh bags of popcorn for optimal results. Cooking results may vary by brand and fat content.

To Use Sensor Cooking:

Before using, make sure the microwave oven has been plugged in for at least 3 minutes, the room temperature is not above 95°F (35°C) and the outside of the container and microwave oven cavity are dry.

1. Touch one of the Sensor pads (named in chart).
The microwave oven will automatically turn on after a short delay. The progress bar will show the approximate time remaining.
When the cycle ends, "END" will appear in the display, 4 end-of-cycle tones will sound, and then reminder tones will sound every minute.
2. Touch CANCEL•OFF or open the door to clear the display and/or stop reminder tones.

The cook time (except POPCORN) can be changed for 20 seconds after touching a pad.

To Change Cook Time: Touch COOK POWER repeatedly to scroll through "MORE," "LESS" or "NORML" time.

Preset Cooking

Times and cooking power have been preset for specific microwavable foods. Use the following chart as a guide.

| FOOD | PAD | QUANTITY |
|----------------------|-----|-------------------------------|
| Rice (sensor) | 1 | .5-2 cups (125-500 mL) |
| Canned Vegetables | 2 | 1-4 cups (250 mL-1 L) |
| Bacon* | 3 | 1-6 slices, average thickness |
| Instant Cereal | 4 | 1-4 servings |
| French Toast, frozen | 5 | 1-4 pieces |

*Differences in the amount of fat, meat, thickness, and curing process affect results. Average is 16 slices per pound.

To Use Preset Cooking:

1. Touch COOK.
2. Touch number pad from chart
or
Touch COOK repeatedly to scroll through foods.
3. Touch number pads to enter quantity, except for Rice.
4. Touch START.
The display will count down the cook time.
When the cycle ends, "END" will appear in the display, 4 end-of-cycle tones will sound, and then reminder tones will sound every minute.
5. Touch CANCEL•OFF or open the door to clear the display and/or stop reminder tones.

To Change Cook Time: Touch COOK POWER repeatedly to scroll through "MORE," "LESS" or "NORML" time.

Cooking in Stages

The microwave oven can be set to cook at different cooking powers for various lengths of time, up to 3 stages.

Sensor cooking cannot be done in stages.

To Cook in Stages:

1. Touch COOK TIME.
2. Touch number pads to enter length of time to cook during the first stage.
3. Touch COOK POWER.
4. Touch the number pad(s) using the Cooking Power chart to set the cooking power for the 1st stage.
5. Repeat steps 1-4 for the 2nd and 3rd stages.
6. Touch START.

The display will count down each of the cook times. The numbers "1," "2" and "3" will appear on the display during their respective stages.

When the cycle ends, "END" will appear in the display, 4 end-of-cycle tones will sound, and then reminder tones will sound every minute.

7. Touch CANCEL•OFF or open the door to clear the display and/or stop reminder tones.

The cook time and cook power of the cycling stage can be changed after touching START without interrupting cooking.

To Change Cook Time: Touch COOK TIME. The countdown will freeze for a few seconds. Enter the new cook time and touch START or wait a few seconds for the countdown to resume.

To Change Cook Power: Touch COOK POWER repeatedly to scroll through the cook power levels. Touch START.

Reheating

Times and cooking power have been preset for reheating specific foods. Use the following chart as a guide.

| FOOD | PAD | QUANTITY |
|---|-----|-------------------------------|
| Pizza Slice (sensor) | 1 | 1-3 slices, 5 oz (142 g) each |
| Sauce (sensor) | 2 | 1-4 cups (250 mL-1 L) |
| Casserole | 3 | 1-4 cups (250 mL-1 L) |
| Baked Goods (example: medium muffin or bagel) | 4 | 1-6 pieces, 2 oz (57 g) each |

To Use Reheat:

1. Touch REHEAT.
2. Touch number pad from chart
or
Touch REHEAT repeatedly to scroll through foods.
3. Touch number pads to enter quantity.
4. Touch START.
The display will count down the reheat time.
When the cycle ends, "END" will appear in the display, 4 end-of-cycle tones will sound, and then reminder tones will sound every minute.
5. Touch CANCEL•OFF or open the door to clear the display and/or stop reminder tones.

To Change Cook Time: Touch COOK POWER repeatedly to scroll through "MORE," "LESS" or "NORML" time.

Defrosting

The JET DEFROST™ feature can be used or the microwave oven can be manually set to defrost.

- Food should be 0°F (-18°C) or colder at defrosting for optimal results.
- Unwrap foods and remove lids (from fruit juice) before defrosting.
- Shallow packages will defrost more quickly than deep blocks.
- Separate food pieces as soon as possible during or at the end of cycle for more even defrosting.
- Use small pieces of aluminum foil to shield parts of food such as chicken wings, leg tips and fish tails. See "Aluminum Foil and Metal" first.

The JET DEFROST™ system has 3 categories: Meat, Poultry and Fish. It should not be used for food left outside the freezer more than 20 minutes and frozen ready-made food.

Use the following chart as a guide.

MEAT

| | |
|---|--|
| <i>Beef:</i> ground, steaks, roast, stew | The narrow or fatty areas of irregular shaped cuts should be shielded with foil before defrosting. |
| <i>Lamb:</i> stew and chops | Do not defrost less than ¼ lb (113 g) or two 4 oz (113 g) patties. |
| <i>Pork:</i> chops, ribs, roasts, sausage | Place all meats in microwavable baking dish. |

POULTRY

| | |
|----------------------------------|--|
| <i>Chicken:</i> whole and cut up | Place in microwavable baking dish, chicken breast-side up. |
| <i>Cornish hens</i> | Remove giblets from whole chicken. |
| <i>Turkey:</i> breast | |

FISH

| | |
|--|------------------------------------|
| <i>Fillets, Steaks, Whole, Shellfish</i> | Place in microwavable baking dish. |
|--|------------------------------------|

To use JET DEFROST™ system:

1. Touch the JET DEFROST pad.
2. Touch the number pad 1 for Meat, 2 for Poultry or 3 for Fish
or
Touch JET DEFROST pad repeatedly to scroll through foods.
3. Touch the number pads to enter the weight.
Meats and Poultry can be set from .2 to 6.6 lb (90 g to 3 kg).
Fish can be set from .2 to 4.4 lb (90 g to 2 kg).
4. Touch START.
The display will count down the defrost time.
About halfway through defrosting, "TURN" will appear on the display while the oven continues to operate. Open door, turn food, close door, then press START to resume.
When the cycle ends, "END" will appear in the display, 4 end-of-cycle tones will sound, and then reminder tones will sound every minute.
5. Touch CANCEL•OFF or open the door to clear the display and/or stop reminder tones.

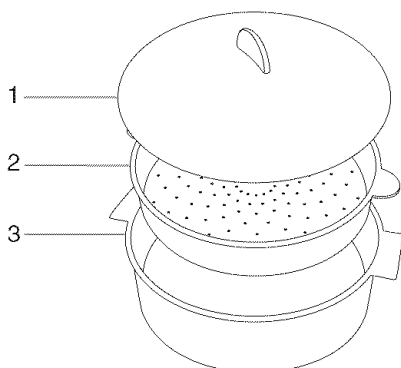
To Change Cook Time: Touch COOK POWER repeatedly to scroll through "MORE," "LESS" or "NORML" time.

To Defrost manually:

1. Touch COOK TIME.
2. Touch the number pads to set a length of time to defrost.
3. Touch COOK POWER.
4. Touch number pad 3.
5. Touch START.
The display will count down the defrost time.
When the cycle ends, "END" will appear in the display, 4 end-of-cycle tones will sound, and then reminder tones will sound every minute.
6. Touch CANCEL•OFF or open the door to clear the display and/or stop reminder tones.

Steaming

Use the steamer vessel, (provided with the microwave oven) with the Steam Cook feature to steam foods.



1. Cooking cover
2. Colander
3. Dish

See “General Cleaning” section for additional information.

- The steamer vessel will become hot. Always use oven mitts or pot holders when handling.
- Do not use in a conventional or combination-type oven, with Crisp or Grill functions or on electric or gas burners.
- To avoid scratching, use plastic utensils.
- Do not overfill. One-half full is recommended.

Cooking Cover: Always use when cooking. Place directly over the colander and dish or just the dish.

Colander: Use for foods such as fish, vegetables and potatoes. Do not use with foods such as rice, pasta and white beans. When using, place directly over the dish.

Dish: Use for foods such as rice and pasta.

To Use Steam Cook:

Before using, make sure the microwave oven has been plugged in for 3 minutes and fill the dish with at least ¼ cup (60 mL) of water when using the colander. More water may be needed when not using the colander. Place steamer vessel on center of the turntable.

1. Touch STEAM COOK.
2. Touch number pads to enter length of time to steam.
3. Touch START.
“BOIL” will appear on the display. When water begins to boil the display will count down the steam time.
When the cycle ends, “END” will appear in the display, 4 end-of-cycle tones will sound, and then reminder tones will sound every minute.
4. Touch CANCEL•OFF or open the door to clear the display and/or stop reminder tones.

Simmering

Use Simmer Cook for foods such as soups, casseroles, stews and other liquid food. It can also be used to cook pasta.

To Use Simmer Cook:

Before using, make sure the microwave oven has been plugged in for at least 3 minutes, add ¼ to ½ cup (60 to 125 mL) of water to vegetables and cover dish with its lid, not plastic wrap.

1. Touch SIMMER COOK.
2. Touch the number pads to set a length of time to simmer.
3. Touch START.
“BOIL” will appear on the display. When water begins to boil the display will count down the simmer time.
When the cycle ends, “END” will appear in the display, 4 end-of-cycle tones will sound, and then reminder tones will sound every minute.
4. Touch CANCEL•OFF or open the door to clear the display and/or stop reminder tones.

Simmering Pasta

Use a container large enough to cover food completely with water. Add 1 tbsp (15 mL) oil to water. Place container and water in the microwave oven and follow the above steps, setting a simmer time of 1 second. When time ends, remove the container from the microwave oven, remove the lid, place food in the water, re-cover, replace in oven and then follow the above steps setting the desired simmer time.

Warm Hold

⚠ WARNING

Food Poisoning Hazard

Do not let food sit in oven more than one hour before or after cooking.

Doing so can result in food poisoning or sickness.

Hot cooked food can be kept warm in the microwave oven. Warm Hold can be used by itself or can be programmed to follow a cooking cycle. Opening the door during Warm Hold will cancel the function.

To Use:

Put hot cooked food in the oven. Cover plates of food and foods that were cooked covered. Pastries, pies, turnovers, etc. should remain uncovered.

1. Touch WARM HOLD.
2. Touch START.
“WARM” will appear on the display and the warm time will count down.
When the cycle ends, “END” will appear in the display, 4 end-of-cycle tones will sound, and then reminder tones will sound every minute.
3. Touch CANCEL•OFF or open the door to clear the display and/or stop reminder tones.

To set at end of cycle: Touch WARM HOLD while setting a cooking cycle before touching START, or during cooking.

MICROWAVE OVEN CARE

General Cleaning

IMPORTANT: Before cleaning, make sure all controls are off and the oven is cool. Always follow label instructions on cleaning products.

Soap, water and a soft cloth or sponge are suggested first unless otherwise noted.

GREASE FILTERS

Do not use ammonia or corrosive cleaning agents such as lye-based oven cleaners.

- Hot water and mild detergent:

Soak filters, then scrub and swish to remove embedded dirt and grease. Rinse well and shake to dry.

- Dishwasher:

Wash separately, not with dirty dishes, because food can be trapped in the filters.

OVEN CAVITY

Do not use soap-filled scouring pads, abrasive cleaners, steel-wool pads, gritty washcloths or some recycled paper towels. Damage may occur.

The area where the oven door and frame touch when closed should be kept clean.

Average soil

- Mild, nonabrasive soaps and detergents:

Rinse with clean water and dry with soft, lint-free cloth.

Heavy soil

- Mild, nonabrasive soaps and detergents:

Heat 1 cup (250 mL) of water for 2 to 5 minutes in oven. Steam will soften soil. Rinse with clean water and dry with soft, lint-free cloth.

Odors

- Lemon juice or vinegar:

Heat 1 cup (250 mL) of water with 1 tbsp (15 mL) of either lemon juice or vinegar for 2 to 5 minutes in oven.

OVEN DOOR EXTERIOR

- Glass cleaner and paper towels or nonabrasive plastic scrubbing pad:

Apply glass cleaner to soft cloth or sponge, not directly on panel.

STEAMER VESSEL

- Soft brush, if necessary, to clean holes.
- Dishwasher:

The steamer vessel is dishwasher safe.

Stubborn Stains

To remove stains such as tomato sauce, use a nonabrasive cleanser, a no-scratch pad, or a solution of dishwasher detergent and water (¼ cup [60 mL] detergent to 1 cup [250 mL] warm water).

TURNTABLE

Replace turntable immediately after cleaning. Do not operate the microwave oven without the turntable in place.

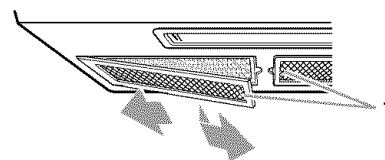
- Mild cleanser and scouring pad
- Dishwasher

Replacing Filters

The grease filters should be removed and cleaned at least once a month. The charcoal filters cannot be washed and should be replaced every 6 to 12 months. Do not operate the microwave oven without the filters in place. See "Assistance or Service" to reorder filters. See "General Cleaning" for cleaning instructions.

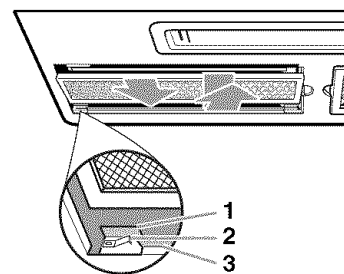
To Remove:

1. Unplug microwave oven or disconnect power.
2. Remove the grease filters by pushing up and sliding to the side. Pull tab down until the filter drops out.



1. Tabs

3. Remove charcoal filters by pushing the back of each filter away from you until the front of the filter slides off the front lower lip. Swing the front of the filter down and slide out.



1. Upper lip
2. Spring
3. Lower lip

To Replace:

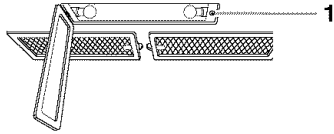
1. Replace charcoal filters by positioning the filter at the back of the opening and resting it on the springs. While pushing the filter into the springs, position the front of filter between the front upper and lower lips.
2. Replace grease filters by inserting one end into the frame. Swing other side up and slide into position.
3. Plug in microwave oven or reconnect power.

Replacing Cooktop Light

The cooktop light is a candelabra base 30-watt bulb. See “Assistance or Service” section to reorder.

To Replace:

1. Unplug microwave oven or disconnect power.
2. Remove the bulb cover mounting screw.



1. Mounting screw

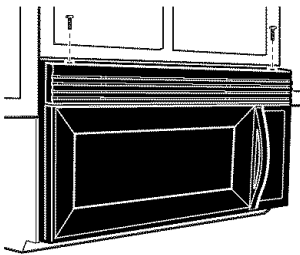
3. Replace light. Close bulb cover. Replace mounting screw.
4. Plug in microwave oven or reconnect power.

Replacing Microwave Oven Light

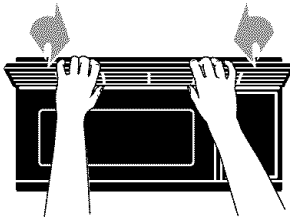
The microwave oven light is a candelabra base 30-watt bulb. It will automatically come on when the door is opened and when the microwave oven is operating. See “Assistance or Service” section to reorder.

To Replace:

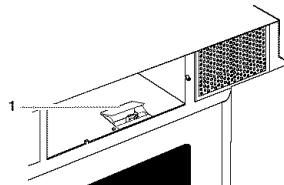
1. Unplug microwave oven or disconnect power.
2. Remove the 2 outer vent grille mounting screws located above the cover.



3. Tip the grille forward, then lift out to remove.



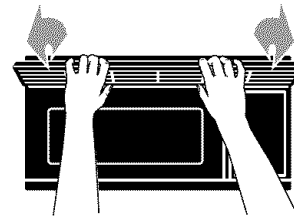
4. Lift up the bulb cover.



1. Bulb cover

5. Replace light. Close bulb cover.

6. Reattach vent grille. Replace the mounting screws.



7. Plug in microwave oven or reconnect power.

TROUBLESHOOTING

Try the solutions suggested here first in order to avoid the cost of an unnecessary service call.

Nothing will operate

- **Has a household fuse been blown or has the circuit breaker been tripped?**
Replace the fuse or reset the circuit.
- **Is the appliance wired properly?**
See Installation Instructions.

Oven will not operate

- **Is the door completely closed?**
Firmly close door.
- **Is a spacer (on some models) attached to the inside of the door?**
Remove spacer, then firmly close door.
- **Is the electronic oven control set correctly?**
See “Microwave Oven Control” section.
- **On some models, is the Child Lock set?**
See “Child Lock” section.
- **Is the magnetron working properly?**
Try to heat 1 cup (250 mL) of cold water for 2 minutes at 100% cooking power. If water does not heat, call for service. See “Assistance or Service” section.

Oven makes humming noise

- This is normal and occurs when the power supply switches the magnetron on and off.

Oven door looks wavy

- This is normal and will not affect performance.

Turntable will not operate

- **Is the turntable properly in place?**
Make sure turntable is correct side up and is sitting securely on the turntable support.
- **Is the turntable support operating properly?**
Remove turntable. Remove and replace turntable support. Replace turntable. Place 1 cup (250 mL) of water on the turntable, then restart oven. If it still is not working, call for service. See “Assistance or Service” section. Do not operate the oven without turntable and turntable support working properly.

Turntable rotates both directions

- This is normal and depends on motor rotation at beginning of cycle.

Display shows messages

- **Is the display showing “:”?**
There has been a power failure or the clock time has been turned off. See “Display” section to clear display. See “Clock” section to reset the clock or to turn it on.
- **Is the display showing a letter followed by a number?**
See “Display” section to clear. If it reappears, call for service. See “Assistance or Service” section.

Display shows time countdown, but is not operating

- **Is the Timer in use?**
See “Timer” section.
- **On some models, is the Demo Mode in use?**
See “Demo Mode” section.

Tones are not sounding

- **Are tones turned off?**
See “Tones” section.

Steam is coming from the vent grille

- Some steam is normal.

Fan running slower than usual

- **Has the oven has been stored in a cold area?**
The fan will run slower until the oven warms up to normal room temperature.

Fan running during cooking

- This is normal. Fan comes on at low speed to cool the oven.

Cooking times seem too long

- **Is the cooking power set properly?**
See “Cooking Power” section.
- **Are large amounts of food being heated?**
Larger amounts of food need longer cooking times.
- **Is the incoming voltage less than specified in “Microwave Oven Safety?”**
Have a qualified electrician check the electrical system in the home.

Radio or TV Interference

- **Is the microwave oven plugged into the same outlet?**
Try a different outlet.
- **Is the radio or TV receiver near the microwave oven?**
Move the receiver away from the microwave oven, or adjust the radio or TV antenna.
- **Are the microwave oven door and sealing surfaces clean?**
Make sure these areas are clean.

ASSISTANCE OR SERVICE

Before calling for assistance or service, please check “Troubleshooting.” It may save you the cost of a service call. If you still need help, follow the instructions below.

When calling, please know the purchase date and the complete model and serial number of your appliance. This information will help us to better respond to your request.

If you need replacement parts

If you need to order replacement parts, we recommend that you only use FSP® replacement parts. FSP® replacement parts will fit right and work right because they are made with the same precision used to build every new WHIRLPOOL® appliance.

To locate FSP® replacement parts in your area, call our Customer Interaction Center telephone number or your nearest Whirlpool designated service center.

In Canada

For product related questions, please call the Whirlpool Canada Inc. Customer Interaction Center toll free: **1-800-461-5681** Monday to Friday 8:00 a.m. - 6:00 p.m. (EST). Saturday 8:30 a.m. - 4:30 p.m. (EST).

Our consultants provide assistance with:

- Features and specifications on our full line of appliances.
- Referrals to local dealers.

For parts, accessories and service in Canada

Call **1-800-807-6777**. Whirlpool Canada Inc. designated service technicians are trained to fulfill the product warranty and provide after-warranty service, anywhere in Canada.

For further assistance

If you need further assistance, you can write to Whirlpool Canada Inc. with any questions or concerns at:

Customer Interaction Center
Whirlpool Canada Inc.
1901 Minnesota Court
Mississauga, Ontario L5N 3A7

Please include a daytime phone number in your correspondence.

Replacement Parts & Accessories

| | |
|---|---|
| Turntable Part No. 4393799 | Steamer Vessel Part No. 8184864 |
| Turntable Support and Rollers Part No. 8184102 | Grease Filters Part No. 8169758 |
| Turntable Rollers Part No. 4393753 | Charcoal Filters Part No. 4393791 |
| Turntable Hub Part No. 8183949 | Cooktop and Microwave Light Bulb Part No. 4393681 |
| Cooking Rack Part No. 8183813 | Stainless Steel Cleaner & Polish Part No. 8171420 |

WHIRLPOOL® MICROWAVE HOOD COMBINATION WARRANTY

ONE-YEAR FULL WARRANTY

For one year from the date of purchase, when this appliance is operated and maintained according to instructions attached to or furnished with the product, Whirlpool Corporation will pay for FSP® replacement parts and repair labor costs to correct defects in materials or workmanship. Service must be provided by a Whirlpool designated service company.

SECOND THROUGH FIFTH YEAR LIMITED WARRANTY ON MAGNETRON TUBE

In the second through fifth years from the date of purchase, when this appliance is operated and maintained according to instructions attached to or furnished with the product, Whirlpool Corporation will pay for FSP® replacement parts for the microwave magnetron tube if defective in materials or workmanship.

Whirlpool Corporation and Whirlpool Canada Inc. will not pay for:

1. Service calls to correct the installation of your appliance, to instruct you how to use your appliance, to replace house fuses or correct house wiring or to replace owner-accessible light bulbs and filters.
 2. Repairs when your appliance is used in other than normal, single-family household use.
 3. Pickup and delivery. Your appliance is designed to be repaired in the home.
 4. Damage resulting from accident, alteration, misuse, abuse, fire, flood, improper installation, acts of God or use of products not approved by Whirlpool Corporation and Whirlpool Canada Inc.
 5. Repairs to parts or systems resulting from unauthorized modifications made to the appliance.
 6. Replacement parts or repair labor costs for units operated outside Canada.
 7. Any labor costs during the limited warranty.
 8. Travel or transportation expenses for customers who reside in remote areas.
-

WHIRLPOOL CORPORATION AND WHIRLPOOL CANADA INC. SHALL NOT BE LIABLE FOR INCIDENTAL OR CONSEQUENTIAL DAMAGES.

Some provinces do not allow the exclusion or limitation of incidental or consequential damages, so this exclusion or limitation may not apply to you. This warranty gives you specific legal rights and you may also have other rights which may vary from province to province.

Outside Canada, this warranty does not apply. Contact your authorized Whirlpool dealer to determine if another warranty applies.

If you need service, first see the "Troubleshooting" section of this book. After checking "Troubleshooting," additional help can be found by checking the "Assistance or Service" section or by calling the Whirlpool Customer Interaction Center at **1-800-461-5681** (toll-free), or writing: Customer Interaction Center, Whirlpool Canada Inc., 1901 Minnesota Court, Mississauga, Ontario L5N 3A7. 5/00

Keep this book and your sales slip together for future reference. You must provide proof of purchase or installation date for in-warranty service.

Write down the following information about your appliance to better help you obtain assistance or service if you ever need it. You will need to know your complete model number and serial number. You can find this information on the model and serial number label/plate, located on your appliance as shown in the "Parts and Features" section.

Dealer name _____
Address _____
Phone number _____
Model number _____
Serial number _____
Purchase date _____

Notes

SÉCURITÉ DU FOUR À MICRO-ONDES

Votre sécurité et celle des autres est très importante.

Nous donnons de nombreux messages de sécurité importants dans ce manuel et sur votre appareil ménager. Assurez-vous de toujours lire tous les messages de sécurité et de vous y conformer.



Voici le symbole d'alerte de sécurité.

Ce symbole d'alerte de sécurité vous signale les dangers potentiels de décès et de blessures graves à vous et à d'autres.

Tous les messages de sécurité suivront le symbole d'alerte de sécurité et le mot "DANGER" ou "AVERTISSEMENT". Ces mots signifient :

⚠ DANGER

Risque possible de décès ou de blessure grave si vous ne suivez pas immédiatement les instructions.

⚠ AVERTISSEMENT

Risque possible de décès ou de blessure grave si vous ne suivez pas les instructions.

Tous les messages de sécurité vous diront quel est le danger potentiel et vous disent comment réduire le risque de blessure et ce qui peut se produire en cas de non-respect des instructions.

IMPORTANTES INSTRUCTIONS DE SÉCURITÉ

Lors de l'utilisation de tout appareil ménager électrique on doit observer certaines précautions de sécurité fondamentales, dont les suivantes :

AVERTISSEMENT : Pour réduire le risque de brûlures, de choc électrique, d'incendie, de blessures et l'exposition excessive à l'énergie des micro-ondes :

- Lire la totalité des instructions avant d'utiliser le four à micro-ondes.
- Lire et observer les instructions spécifiques de "PRÉCAUTIONS CONTRE LE RISQUE D'EXPOSITION EXCESSIVE À L'ÉNERGIE DES MICRO-ONDES" dans cette section.
- Le four à micro-ondes doit être relié à la terre. Brancher l'appareil uniquement sur une prise de courant convenablement reliée à la terre. Voir les "INSTRUCTIONS DE LIAISON À LA TERRE" présentées dans cette section et dans les instructions d'installation fournies.
- Installer ou placer le four à micro-ondes uniquement selon les instructions d'installation fournies.
- Certains produits, comme les oeufs entiers dans leur coquille et les récipients fermés – par exemple les bocaux en verre fermés – peuvent exploser et on ne doit pas les faire chauffer dans le four à micro-ondes.
- Utiliser le four à micro-ondes uniquement pour les applications auxquelles il est destiné, telles qu'elles sont décrites dans ce manuel. Ne pas utiliser de vapeurs ou de produits chimiques corrosifs dans le four à micro-ondes. Ce type de four est spécifiquement conçu pour chauffer, cuire ou sécher des aliments. Il n'est pas conçu pour des applications industrielles ou de laboratoire.
- Comme pour tout appareil ménager, les enfants ne devraient utiliser ce four que sous une supervision adéquate.
- Ne pas faire fonctionner le four à micro-ondes si le cordon d'alimentation ou la fiche de branchement est endommagé, s'il ne fonctionne pas correctement, s'il a subi des dommages ou s'il est tombé sur le plancher.
- Tous les travaux de service doivent être exécutés exclusivement par un personnel d'entretien qualifié. Contacter un centre de service autorisé pour les opérations d'inspection, de réparation ou de réglage.
- Voir les instructions de nettoyage de la surface de la porte à la section "Entretien du four à micro-ondes".

CONSERVEZ CES INSTRUCTIONS

IMPORTANTES INSTRUCTIONS DE SÉCURITÉ

- Pour réduire le risque d'incendie dans la cavité du four :
 - Ne pas faire cuire les aliments excessivement. Surveiller attentivement le four à micro-ondes après y avoir placé des produits en papier, en plastique ou autres matériaux combustibles pour faciliter la cuisson des aliments.
 - Enlever les attaches métalliques des sachets en papier ou en plastique avant de placer de tels sachets dans le four.
 - En cas d'inflammation de matériaux placés à l'intérieur du four, maintenir la porte du four fermée, arrêter le four, débrancher le four, ou interrompre l'alimentation électrique au niveau du tableau de distribution (fusible ou disjoncteur).
 - Ne pas utiliser la cavité du four comme espace de rangement. Ne pas laisser dans le four des produits en papier, ustensiles de cuisine ou produits alimentaires, lorsqu'il n'est pas utilisé.
- Les liquides tels que l'eau, le café ou le thé peuvent trop chauffer – au-delà du point d'ébullition – sans sembler bouillir. Il n'y a pas toujours des bulles ou une ébullition lorsqu'on retire le récipient du four à micro-ondes. **À CAUSE DE CECI, DES LIQUIDES TRÈS CHAUDS POURRAIENT DÉBORDER LORSQU'ON BOUGE LE RÉCIPIENT OU QUE L'ON UTILISE UNE CUILLÈRE OU UN AUTRE USTENSILE POUR LE REMUER.**

Pour réduire le risque de blessures corporelles :

 - Ne pas trop faire chauffer le liquide.
 - Remuer le liquide avant et pendant le chauffage.
 - Ne pas utiliser de récipients à parois droites avec des ouvertures étroites.
 - Une fois chaud, laisser le récipient dans le four à micro-ondes un moment avant de le retirer.
 - Faire très attention lorsqu'on utilise une cuillère ou un autre ustensile dans le récipient.
- Convient à l'utilisation au-dessus des appareils de cuisson au gaz et électriques.
- Destiné à l'utilisation au-dessus des cuisinières avec une largeur maximale de 36 po (91,44 cm).
- Nettoyer souvent les hottes de ventilation. Il ne faut pas laisser la graisse s'accumuler sur la hotte ou le filtre.
- Les aliments trop volumineux ou des ustensiles en métal de grande taille ne doivent pas être insérés dans le four à micro-ondes car ils peuvent créer un incendie ou un risque de choc électrique.
- Ne pas nettoyer avec des tampons métalliques à récurer. Des pièces peuvent se détacher du tampon en brûlant et venir en contact avec des pièces électriques qui pourraient causer un risque de choc électrique.
- Ne pas utiliser des produits en papier lorsque l'appareil fonctionne au mode "PAN BROWN" (sur les modèles avec cette caractéristique).
- Ne pas remiser des matériaux autres que les accessoires recommandés par le fabricant dans ce four lorsqu'il n'est pas utilisé.
- Veiller à ne rien remiser directement sur le four lorsqu'il est en service.
- Lorsque vous flambez des aliments sous la hotte, mettre le ventilateur en marche.
- Nettoyer avec soin le filtre du ventilateur de la hotte. Des agents de nettoyage corrosifs, tels que les produits de nettoyage de four à base de soude, peuvent endommager le filtre.
- Ne pas couvrir ni obstruer toute ouverture sur le four à micro-ondes.
- Ne pas remiser ce four à micro-ondes à l'extérieur. Ne pas utiliser le four à micro-ondes à proximité d'eau - par exemple, près d'un évier de cuisine, dans un sous-sol humide ou près d'une piscine ou à un emplacement similaire.
- Ne pas immerger le cordon ou la fiche de branchement dans l'eau.
- Garder le cordon d'alimentation loin des surfaces chauffées.
- Ne pas laisser le cordon d'alimentation pendre sur le bord d'une table ou d'un comptoir.
- Ne pas faire le montage au-dessus d'un évier.
- Ne pas couvrir les grilles ou autre partie du four avec du papier métallique. Cette action causera un surchauffage du four.

CONSERVEZ CES INSTRUCTIONS

PRÉCAUTIONS CONTRE LE RISQUE D'EXPOSITION EXCESSIVE À L'ÉNERGIE DES MICRO-ONDES

- (a) Ne pas tenter de faire fonctionner ce four lorsque la porte est ouverte, car ceci pourrait susciter une exposition dangereuse à l'énergie des micro-ondes. Il est important de ne pas entraver le fonctionnement correct du dispositif de verrouillage de sécurité.
- (b) Ne pas placer d'objet entre la surface avant du four et la porte, et ne jamais laisser des souillures ou résidus de produits de nettoyage s'accumuler sur les surfaces d'étanchéité.
- (c) Ne pas faire fonctionner le four lorsqu'il est endommagé. Il est particulièrement important que la porte du four ferme convenablement et que les composants suivants ne soient pas endommagés :
 - (1) Porte (déformation),
 - (2) Charnières et dispositif de verrouillage (brisés ou desserrés),
 - (3) Joints de porte et surfaces d'étanchéité.
- (d) Seul un personnel d'entretien qualifié est habilité à exécuter des réparations ou réglages sur cet appareil.

Ce dispositif est conforme à la section 18 des règlements FCC.

Spécifications électriques

⚠ AVERTISSEMENT



Risque de choc électrique

Brancher sur une prise à 3 alvéoles reliée à la terre.

Ne pas enlever la broche de liaison à la terre.

Ne pas utiliser un adaptateur.

Ne pas utiliser un câble de rallonge.

Le non-respect de ces instructions peut causer un décès, un incendie ou un choc électrique.

Observez les dispositions de tous les codes et règlements en vigueur. L'appareil doit être alimenté uniquement par un circuit de 120 V CA, 60 Hz, protégé par un fusible de 15 ou 20 A (on recommande l'utilisation d'un fusible temporisé ou un disjoncteur. On recommande que cet appareil soit alimenté par un circuit indépendant.

INSTRUCTIONS DE MISE À LA TERRE

■ Pour tout appareil ménager connecté par un cordon de courant électrique :

Il faut que le four à micro-ondes soit relié à la terre. En cas de court-circuit électrique, la liaison à la terre réduit le risque de choc électrique car le courant électrique dispose d'un itinéraire direct d'acheminement à la terre. Le four à micro-ondes est doté d'un cordon de courant électrique qui comporte un fil de liaison à la terre, avec broche de liaison à la terre. On doit brancher la fiche sur une prise de courant convenablement installée et reliée à la terre.

AVERTISSEMENT : L'utilisation incorrecte du dispositif de liaison à la terre peut susciter un risque de choc électrique. L'utilisateur qui ne comprend pas bien les instructions de liaison à la terre, ou qui n'est pas certain que le four à micro-ondes soit convenablement relié à la terre, devrait consulter un électricien qualifié.

Ne pas utiliser un câble de rallonge. Si le cordon de courant électrique est trop court, demander à un électricien qualifié d'installer une prise de courant à proximité du four à micro-ondes.

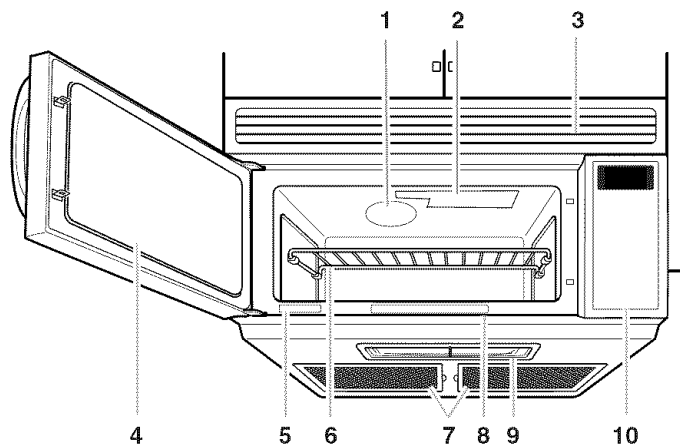
■ Pour un appareil à connexion permanente :

Cet appareil doit être relié à un câblage métallique permanent relié à la terre, ou on doit installer avec les conducteurs d'alimentation électrique un conducteur de liaison à la terre connecté à la borne ou au fil de liaison à la terre de l'appareil.

CONSERVEZ CES INSTRUCTIONS

PIÈCES ET CARACTÉRISTIQUES

Ce manuel couvre différents modèles. Le four que vous avez acheté peut avoir certaines ou toutes les caractéristiques énumérées. L'emplacement et l'apparence des caractéristiques illustrées ici peuvent ne pas correspondre à ceux de votre modèle.



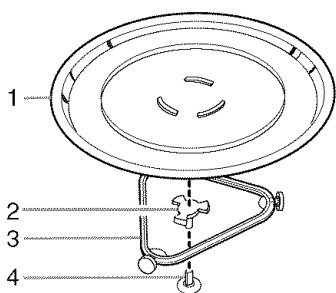
1. Couvercle - orifice d'introduction des micro-ondes
2. Lampe du micro-ondes
3. Grille d'évent
4. Hublot avec grille métallique
5. Plaque signalétique des numéros de modèle et de série
6. Grille de cuisson

7. Filtres à graisse et au charbon (expédiés dans la cavité du four)
8. Étiquette du guide de cuisson
9. Lampe de la table de cuisson
10. Tableau de commande

Pièces et caractéristiques non illustrées

Plateau rotatif
Cuisseur à vapeur

Plateau rotatif



1. Plateau rotatif
2. Axe
3. Support
4. Arbre

Le plateau rotatif tourne dans les deux sens pour permettre une cuisson plus uniforme. Ne pas faire fonctionner le four à micro-ondes sans que le plateau rotatif ne soit en place. Voir "Assistance ou service" pour passer une nouvelle commande de pièces.

Installation :

1. Ôter le ruban adhésif de l'axe.
2. Placer le support sur le fond de la cavité du four.
3. Placer le plateau rotatif sur le support.

Insérer les protubérances arrondies au centre du dessous du plateau rotatif entre les trois rayons de l'axe. Les roulettes sur le support devraient se loger à l'intérieur du pourtour cranté du dessous du plateau rotatif.

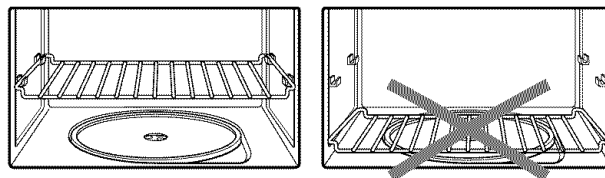
Désactivation du plateau rotatif

Le plateau rotatif peut être désactivé (sauf durant une fonction automatique). Ceci est utile lors de la cuisson dans des assiettes plus grandes que le plateau rotatif ou lors de la cuisson dans deux assiettes de 10 ¼ po (26 cm) placées côte à côte.

Désactivation : Appuyer sur TURNTABLE ON•OFF. Une icône de "plateau rotatif-arrêt" apparaît sur l'afficheur. Le plateau rotatif est réactivé automatiquement quand la cuisson est terminée ou si on appuie sur CANCEL•OFF (annulation-arrêt).

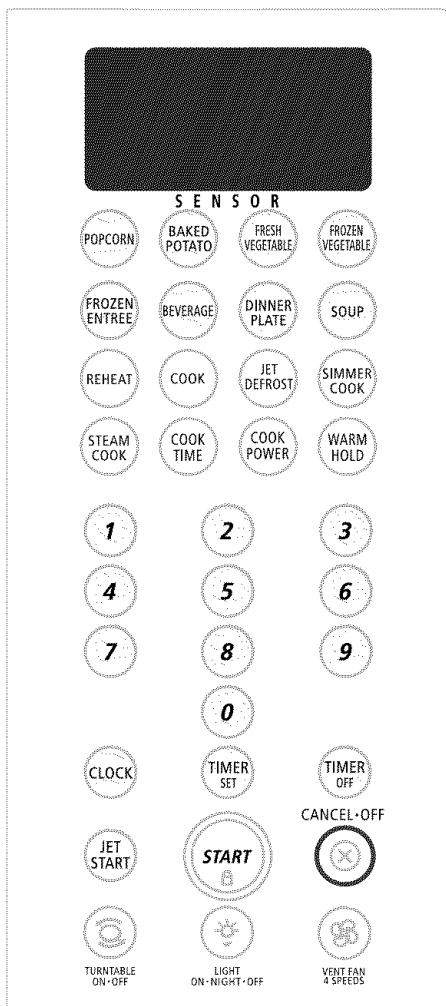
Grille de cuisson

La grille de cuisson est idéale pour la cuisson sur deux niveaux. Elle procure un espace supplémentaire pour la cuisson simultanée de deux récipients ou plus. Placer correctement la grille sur ses supports situés sur les parois latérales du four. Pour commander à nouveau la grille, voir la section "Assistance ou Service".



- La grille deviendra chaude. Toujours utiliser des mitaines de four ou poignées lors de la manipulation.
- Ne pas laisser la grille toucher les parois, le plafond ou le fond de la cavité.
- Ne pas utiliser d'ustensile ou de plat de cuisson en métal ou un plat de brunissage avec la grille.
- Ne pas laisser un contenant d'aliments sur la grille toucher le sommet ou les parois du four.
- Ne pas placer des sacs de maïs à éclater sur la grille.
- La grille est conçue spécialement pour ce four. Ne pas l'utiliser dans un autre four.
- Ne pas faire cuire des aliments directement sur la grille. Toujours utiliser un contenant pour micro-ondes.
- N'utiliser la grille que pour la cuisson sur deux niveaux. Ne pas remettre la grille dans le four. Le four risque d'être endommagé si une personne le met en marche accidentellement.

TABLEAU DE COMMANDE DU FOUR À MICRO-ONDES



Affichage

Lors de la mise sous tension initiale du four à micro-ondes, “:” clignotera sur l’affichage. Appuyer sur CANCEL•OFF (annulation/arrêt) pour arrêter le clignotement. Si le “:” clignote sur l’affichage à tout autre moment, une panne de courant s’est produite. Appuyer sur CANCEL•OFF (annulation/arrêt) et régler de nouveau l’horloge au besoin.

Si “RETRY” (essayer de nouveau) clignote sur l’affichage pendant 1 seconde, on a entré une mauvaise valeur. Essayer de nouveau.

Lors de l’utilisation du four à micro-ondes, l’affichage indique la puissance de cuisson, les quantités, les poids et/ou messages. Lorsque le four à micro-ondes n’est pas utilisé, l’affichage indique l’heure du jour ou le compte à rebours de la minuterie.

Barre de progression



La barre de progression est une image visuelle de la durée estimative de fonctionnement d’un programme de cuisson. Elle apparaît durant les fonctions Cook (cuisson), commande JET DEFROST™, Reheat (réchauffage) et la commande Sensor One Touch. Les lignes dans chacun des segments s’illuminent de gauche à droite à l’approche de la fin de la durée. Lorsque les douze lignes (les trois segments) sont illuminées, le programme de cuisson est terminé.

Codes de chiffres

Le four est pré-réglé avec des codes de chiffres. Un code de chiffres comprend l’une ou plusieurs des fonctions suivantes : puissance de chauffage, temps de cuisson et quantité d’aliments ou poids. Voir les tableaux de code dans les sections “Cuisson” et/ou “Réchauffage” pour d’autres renseignements.

Mise en marche

La touche START met en marche toute fonction. Si on n’appuie pas sur cette touche dans les 5 secondes après avoir appuyé sur une touche, “START?” apparaît sur l’affichage à titre de rappel. Si on n’appuie pas sur cette touche dans 1 minute après avoir appuyé sur une touche, l’affichage retourne au mode de l’heure et la fonction programmée est annulée.

Si la cuisson est interrompue, il suffit d’appuyer sur START pour reprendre le programme pré-réglé.

Caractéristique JET START™

La touche JET START™ met en marche toute fonction. Si on n’appuie pas sur cette touche dans les 5 secondes après avoir appuyé sur une touche, “START?” apparaît sur l’affichage à titre de rappel. Si on n’appuie pas sur cette touche dans les 5 minutes après avoir appuyé sur une touche, l’affichage retourne au mode de l’heure et la fonction programmée est annulée.

Si la cuisson est interrompue, il suffit d’appuyer sur JET START™ pour reprendre le programme.

Si l’on appuie seulement sur la commande JET START™, le four à micro-ondes se mettra en marche pendant 30 secondes à la puissance de cuisson maximale.

Lorsque le four est en marche, à n’importe quelle fonction de cuisson, appuyer sur la commande JET START™ ajoutera 30 secondes de cuisson à la puissance de cuisson utilisée. À chaque fois qu’on appuie sur la touche de commande JET START™, 30 secondes seront ajoutées à la durée de cuisson.

Annulation•arrêt

La touche CANCEL•OFF arrête la plupart des fonctions sauf la minuterie, le verrouillage pour enfants et le mode de démonstration.

Le four à micro-ondes s’arrête également lorsqu’on en ouvre la porte. Fermer la porte et appuyer sur START pour reprendre le programme.

Horloge

Cette horloge de 12 heures ne montre pas a.m. ou p.m.

Réglage :

Le four à micro-ondes et la minuterie doivent être désactivés.

1. Appuyer sur CLOCK (horloge).
2. Appuyer sur les touches numériques pour régler l'heure.
3. Appuyer sur CLOCK ou START (mise en marche).

Effacement :

1. Appuyer sur CLOCK (horloge).
 2. Appuyer sur 0.
 3. Appuyer sur CLOCK (horloge).
L'heure s'efface et “.” apparaît sur l'afficheur.
-

Signaux sonores

Les signaux sonores indiquent ce qui suit :

Un signal sonore

- Entrée valide (signal sonore court)
- Fin du compte à rebours de la minuterie (long signal sonore)

Deux signaux sonores

- Signaux de rappel émis à intervalles de 1 minute après le signal sonore de fin de programme
- Fin de l'étape pour la cuisson par étapes
- Retourner les aliments lors du programme de décongélation (signaux sonores courts)
- Entrée ou sortie d'une caractéristique dissimulée

Trois signaux sonores

- Entrée non valide

Quatre signaux sonores

- Fin de programme

Activation/désactivation des entrées valides : Appuyer sur la touche numérique “1” pendant cinq secondes jusqu'à l'émission de deux signaux sonores. Répéter pour réactiver les signaux sonores.

Activation/désactivation de tous les signaux sonores : Appuyer sur la touche numérique “2” pendant cinq secondes jusqu'à l'émission de deux signaux sonores. Répéter pour réactiver les signaux sonores.

Minuterie

La minuterie peut être réglée en minutes et secondes jusqu'à concurrence de 99 minutes et 99 secondes et procède à un compte à rebours de la durée réglée. La minuterie ne met pas en marche et n'arrête pas le four à micro-ondes.

Lorsque la minuterie est utilisée, le four à micro-ondes peut quand même fonctionner. Pour voir le compte à rebours pendant 5 secondes lorsque le four à micro-ondes est utilisé, appuyer sur TIMER SET (réglage de la minuterie).

Réglage :

1. Appuyer sur TIMER SET (réglage de la minuterie).
Si aucune fonction n'est entrée après 1 minute, l'afficheur retourne au mode d'affichage de l'heure.
2. Appuyer sur les touches numériques pour régler la durée.
3. Appuyer sur TIMER SET ou START (mise en marche).
Si on n'appuie pas sur la touche dans les 5 secondes, “START?” apparaîtra sur l'afficheur. Si on n'appuie pas sur la touche en deçà de 1 minute, l'afficheur retourne au mode d'affichage de l'heure et la fonction programmée est annulée.
À la fin de la durée réglée, “END” (fin) apparaît sur l'afficheur et un signal sonore se fait entendre.
4. Appuyer sur TIMER OFF (arrêt de la minuterie) en tout temps pour annuler la minuterie.

La durée de cuisson peut être réglée de nouveau durant le compte à rebours en répétant les étapes ci-dessus.

Verrouillage pour enfants

Le verrouillage pour enfants désactive les touches du tableau de commande pour empêcher l'utilisation non intentionnelle du four à micro-ondes.

Lorsque le tableau de commande est verrouillé, seules les touches Vent Fan (ventilateur d'évent) et Light (lampe) fonctionnent.

Pour verrouiller/déverrouiller les commandes : Le four à micro-ondes et la minuterie doivent être désactivés. Appuyer sur START pendant 5 secondes jusqu'à ce que 2 signaux sonores soient émis et que l'image d'un cadenas apparaisse sur l'afficheur. Répéter pour déverrouiller et effacer l'image du cadenas sur l'afficheur.

Ventilateur d'évacuation

Le ventilateur comporte 4 vitesses, de 4 (la plus rapide) à 1 (la plus lente). 0 est l'arrêt.

Afin de protéger le four à micro-ondes, si la température de la cuisinière ou de la table de cuisson placée sous le four à micro-ondes est trop élevée, le ventilateur d'évacuation se met automatiquement en marche à la vitesse 4 et peut fonctionner jusqu'à 1 heure pour refroidir le four à micro-ondes. Dans ce cas, la touche du ventilateur ne fonctionne pas.

Marche/arrêt du ventilateur d'évacuation : Appuyer à plusieurs reprises sur la touche VENT FAN 4 SPEEDS pour alterner entre les vitesses 4, 3, 2 et 1 et arrêt 0. “FAN” et le chiffre choisi apparaîtront sur l'afficheur pendant 2 secondes.

Lampe de la table de cuisson

La lampe de la table de cuisson comporte 3 options : on (marche), night (veilleuse) et off (arrêt).

Marche/veilleuse/arrêt : Appuyer à plusieurs reprises sur LIGHT ON•NIGHT•OFF pour passer d'une option à l'autre.

Mode de démonstration

Le mode de démonstration est idéal pour apprendre à utiliser le four à micro-ondes. Lorsque ce mode est réglé, il est possible de sélectionner des fonctions sans activer le magnétron. La lampe du four à micro-ondes s'allumera, le ventilateur fonctionnera et le plateau rotatif tournera, si activé.

Activation/désactivation : Le four à micro-ondes et la minuterie doivent être désactivés. Appuyer sur TIMER OFF (minuterie désactivée) pendant 5 secondes jusqu'à ce que 2 signaux sonores soient émis et que “d” apparaisse sur l'afficheur. Répéter pour désactiver et effacer “d” de l'afficheur.

UTILISATION DU FOUR À MICRO-ONDES

Un magnétron dans le four produit des micro-ondes qui rebondissent du plancher, des parois et de la voûte en métal et qui passent à travers le plateau rotatif et les ustensiles de cuisson appropriés pour atteindre l'aliment. Les micro-ondes sont attirées vers et absorbées par le gras, le sucre et les molécules d'eau dans les aliments et font déplacer ces molécules, en produisant une friction et une chaleur qui fait cuire les aliments.

- Ne jamais s'appuyer ou laisser les enfants se balancer sur la porte du four.
- Ne pas faire fonctionner le four à micro-ondes pendant qu'il est vide.
- Le plateau rotatif doit être en place et avec le côté correct vers le haut lorsque le four est utilisé. Ne pas utiliser le plateau rotatif s'il est fêlé ou brisé. Voir la section "Assistance ou Service" pour en commander un nouveau.
- Les biberons et les bocaux d'aliments pour bébé ne doivent pas être chauffés dans le four.
- Les vêtements, fleurs, fruits, herbes, bois, gourdes, papier, y compris les sacs en papier brun et les journaux ne doivent pas être séchés dans le four.
- Le four ne doit pas être utilisé pour la mise en conserve, la stérilisation ou la grande friture. Le four ne peut pas maintenir des températures appropriées.
- La paraffine ne fondra pas dans le four car elle n'absorbe pas les micro-ondes.
- Utiliser des mitaines de four ou des maniques lors de l'enlèvement de contenants du four.
- Ne pas faire cuire les pommes de terre excessivement. À la fin de la durée de cuisson recommandée, les pommes de terre devraient être légèrement fermes. Laisser les pommes de terre reposer pendant 5 minutes. Elles achèveront de cuire pendant cette période.
- Ne pas faire cuire ou réchauffer des oeufs entiers avec leur coquille. La vapeur accumulée dans les oeufs entiers pourrait les faire éclater. Recouvrir les oeufs pochés et les laisser reposer.

Caractéristiques des aliments

Lors de la cuisson au four à micro-ondes, la quantité, la taille, la forme, la température de mise en marche et la composition et la densité de l'aliment affectent les résultats de cuisson.

Quantité d'aliments

La quantité d'aliments chauffés à la fois influencera le temps de cuisson. Vérifier le degré de cuisson et ajouter de petites entrées de temps si nécessaire.

Taille et forme

Des morceaux plus petits d'aliments cuiront plus vite que les gros morceaux, et les aliments uniformes cuiront plus également que les aliments de forme irrégulière.

Température de mise en marche

Les aliments à température ambiante chaufferont plus vite que les aliments réfrigérés, et les aliments réfrigérés chaufferont plus vite que les aliments congelés.

Composition et densité

Les aliments à haute teneur en gras et en sucre atteindront une température plus élevée et chaufferont plus vite que les autres. Les aliments lourds et denses, tels que la viande et les pommes de terre, demandent un temps de cuisson plus long qu'un aliment de la même taille, léger et poreux tel que les gâteaux.

Guide de cuisson

Recouvrement

Le recouvrement des aliments aide à retenir l'humidité, réduire le temps de cuisson et réduire les éclaboussures. Utiliser le couvercle fourni avec l'ustensile de cuisson. S'il n'y a pas de couvercle disponible, du papier paraffiné, un essuie-tout ou des enveloppes en plastique approuvées pour les micro-ondes peuvent être utilisés. Les enveloppes en plastique peuvent être retournées à un coin pour fournir une ouverture à l'échappement de la vapeur.

Remuer et tourner

Remuer et tourner les aliments redistribue la chaleur de manière égale pour éviter la cuisson excessive des bords externes des aliments. Mélanger de l'extérieur vers le centre. Si possible, retourner les aliments.

Disposition

S'il s'agit d'aliments de forme irrégulière ou de dimensions différentes, les parties plus minces et les morceaux plus petits doivent être disposés près du centre. Si l'on cuit plusieurs aliments de même taille et de même forme, les placer dans un cercle, en laissant le centre du cercle vide.

Dégagement de la pression

Avant le chauffage, utiliser une fourchette ou un petit couteau pour percer les aliments qui ont une peau ou une membrane, tels que les pommes de terre, jaunes d'oeufs, foies de poulet, hot dogs et saucisses. Percer plusieurs endroits pour laisser échapper la vapeur.

Protection

Utiliser du papier d'aluminium en petits morceaux pour protéger les parties minces d'aliments de forme irrégulière, les os, et des aliments tels que les ailes et pilons de poulet et les queues de poisson. Voir en premier "Papier d'aluminium et métal".

Temps de repos

Les aliments continueront à cuire par la conduction naturelle de la chaleur même lorsque le programme de micro-ondes se termine. La durée du temps de repos dépend du volume et de la densité de l'aliment.

Ustensiles de cuisson et vaisselle

Les ustensiles de cuisson et la vaisselle doivent pouvoir se placer sur le plateau rotatif. Toujours utiliser des mitaines de four ou des maniques lors de l'utilisation parce que tout plat peut devenir chaud à cause de la chaleur transmise par les aliments. Ne pas utiliser des ustensiles de cuisson ou de la vaisselle avec garniture en or ou en argent. Utiliser le tableau suivant comme guide, ensuite faire un test avant l'utilisation.

| MATÉRIAU | RECOMMANDATIONS |
|--|--|
| Enveloppes en plastique, sacs, couvercles, vaisselle, contenants | Utiliser des produits approuvés par le fabricant pour l'utilisation dans un four à micro-ondes. |
| Essuie-tout, vaisselle, serviettes de table | Utiliser des produits non-recyclés et ceux qui sont approuvés par le fabricant pour utilisation au four à micro-ondes. |
| Mélatamine | Suivre les recommandations du fabricant. |
| Mousse de polystyrène | Ne pas utiliser au four. |
| Paille, osier, contenants en bois | Ne pas utiliser au four. |
| Papier paraffiné | Peut être utilisé. |
| Papier d'aluminium, métal | Voir la section "Papier d'aluminium et métal". |
| Plat brunisseur | La base doit être au moins à $\frac{3}{16}$ po (5 mm) au dessus du plateau rotatif. Suivre les recommandations du fabricant. |
| Porcelaine, faïence | Suivre les recommandations du fabricant. |
| Poterie et argile | Suivre les recommandations du fabricant. |
| Vitrocéramique, verre | Peut être utilisé. |

Pour vérifier l'ustensile de cuisson ou la vaisselle pour l'utilisation au four à micro-ondes :

1. Placer l'ustensile de cuisson ou la vaisselle dans un four avec 1 tasse (250 mL) d'eau à côté de l'article.
2. Faire cuire à puissance de chauffage maximale pendant 1 minute.

Ne pas utiliser d'ustensile de cuisson ou de vaisselle si ces articles deviennent chauds et si l'eau demeure froide.

Papier d'aluminium et métal

Toujours utiliser des mitaines du four ou des maniques pour enlever des plats du four à micro-ondes.

Le papier d'aluminium et certains métaux peuvent être utilisés dans le four. Si ces articles ne sont pas bien utilisés, des arcs (un éclair bleu) peuvent survenir et causer des dommages au four.

Utilisation correcte

Les grilles et les ustensiles de cuisson fournis avec le four (si fournis), la feuille d'aluminium pour protection et les thermomètres à viande approuvés doivent être utilisés avec les précautions suivantes :

- Ne jamais laisser le papier d'aluminium ou le métal toucher les parois, la voûte ou le plancher de la cavité.
- Toujours utiliser le plateau rotatif.
- Ne jamais permettre un contact avec un autre objet en métal durant la cuisson.

Utilisation à éviter

Les ustensiles de cuisson et de cuisson au four en métal, l'or, l'argent, l'étain, les thermomètres non approuvés pour la viande, les brochettes, les attaches, les doublures de papier d'aluminium telles que les enveloppes à sandwich, les agrafes et objets avec garniture en or ou en argent ou avec un enduit métallique ne doivent pas être utilisés dans le four.

Puissance de chauffage

De nombreuses recettes de four à micro-ondes précisent quelle puissance de chauffage doit être utilisée en indiquant le pourcentage, le nom ou le chiffre. Par exemple, 70 %=7=Moyen-Élevé.

Utiliser le tableau suivant comme guide général pour la puissance de chauffage suggérée pour des aliments spécifiques.

| POURCENTAGE/NOM | CHIFFRE | UTILISATION |
|-----------------------------|---------|---|
| 100 %, Élevé (sans réglage) | 10 | Chauffage rapide d'aliments minute et aliments avec haute teneur en eau, tels que soupes, boissons et la plupart des légumes. |
| 90 % | 9 | Cuisson de petits morceaux tendres de viande, viande hachée, morceaux de volaille, filets de poisson. Chauffage de soupes en crème. |
| 80 % | 8 | Chauffage de riz, pâtes ou mets en sauce. Cuisson et chauffage d'aliments qui ont besoin d'une puissance de chauffage inférieure à la puissance élevée. Par exemple, poisson entier et pain de viande. |

| POURCENTAGE/NOM | CHIFFRE | UTILISATION |
|-----------------------------------|---------|--|
| 70 %, Moyen-Élevé | 7 | Réchauffage d'une seule portion d'aliments. |
| 60 % | 6 | Cuisson d'aliments sensibles tels que le fromage et les mets à base d'oeufs, pudding et crèmes anglaises. Cuisson de mets en sauce non remuables tels que les lasagnes. |
| 50 %, Moyen | 5 | Cuisson de jambon, volaille entière et de morceaux de viande à braiser. Mijotage de ragoûts. |
| 40 % | 4 | Pour faire fondre le chocolat. Chauffage du pain, brioches et pâtisseries. |
| 30 %, Moyen-Faible, Décongélation | 3 | Décongélation de pain, poisson, viandes, volaille et aliments précuits. |
| 20 % | 2 | Amollir le beurre, le fromage et la crème glacée. |
| 10 %, Faible | 1 | Mettre les fruits à température ambiante. |

Cuisson

Utilisation :

- Appuyer sur COOK TIME (durée de cuisson).
Appuyer sur les touches numériques pour régler une durée de cuisson.
- Appuyer sur COOK POWER (puissance de cuisson).
Appuyer sur les touches numériques pour régler une puissance de cuisson, si autre que 100 %.
- Appuyer sur START (mise en marche).
L'afficheur procède à un compte à rebours de la durée de cuisson.
À la fin du programme, "END" (fin) apparaît sur l'afficheur, 4 signaux de fin de programme sont émis, suivis de signaux de rappel à intervalles de 1 minute.
- Appuyer sur CANCEL•OFF (annulation-arrêt) ou ouvrir la porte pour effacer l'affichage et/ou arrêter les signaux de rappel.

La durée et la puissance de cuisson peuvent être modifiées après avoir appuyé sur START sans interrompre la cuisson.

Modification de la durée de cuisson : Appuyer sur COOK TIME (durée de cuisson). Le compte à rebours gèlera pendant quelques secondes. Entrer la nouvelle durée de cuisson et appuyer sur START (mise en marche) ou attendre quelques secondes que le compte à rebours reprenne.

Modification de la puissance de cuisson : Appuyer à plusieurs reprises sur COOK POWER (puissance de cuisson) pour faire défiler les niveaux de puissance de cuisson. Appuyer sur START (mise en marche).

Cuisson à détection

Un capteur dans le four à micro-ondes détecte l'humidité dégagée par l'aliment et règle automatiquement une durée de cuisson basée sur la touche sélectionnée.

Utiliser le tableau suivant comme guide pour les touches d'aliments.

| ALIMENTS | QUANTITÉ À SERVIR | INSTRUCTIONS |
|-------------------------|--|---|
| Maïs à éclater* | 3,5 oz (100 g) 3 oz (85 g) 1,75 oz (50 g) | Ne préparer qu'un sac à la fois. |
| Pommes de terre au four | 1-4 moyennes, 10 à 13 oz (283 à 369 g) chacune | Percer plusieurs fois chaque pomme de terre avec une fourchette. Les disposer sur le pourtour du plateau rotatif, à au moins 1 po (2,5 cm) les unes des autres. À la fin de la cuisson, les laisser reposer pendant 5 minutes. |
| Légumes frais | 1-4 tasses (250 mL-1 L) | Humecter les légumes et les placer dans un contenant pour micro-ondes. Recouvrir d'une pellicule de plastique et laisser une ouverture d'échappement de l'air. Remuer et laisser reposer pendant 2 à 3 minutes. |
| Légumes surgelés | 1-4 tasses (250 mL-1 L) | Les sortir de l'emballage. Les placer dans un contenant pour micro-ondes. Recouvrir d'une pellicule de plastique et laisser une ouverture d'échappement de l'air. Remuer et laisser reposer pendant 2 à 3 minutes. |
| Mets surgelés | 10-20 oz (283-567 g) | Les sortir de l'emballage. Dégager l'opercule sur 3 côtés. Si le mets ne se trouve pas dans un contenant pour micro-ondes, le placer sur une assiette, le couvrir d'une pellicule de plastique et laisser une ouverture d'échappement de l'air. |
| Boisson | 1 ou 2 tasses de 8 oz (250 mL) | Ne pas couvrir. Le diamètre de l'ouverture de la tasse affectera le chauffage de la boisson. Le liquide pourra devenir plus chaud si le diamètre est plus petit. |

| ALIMENTS | QUANTITÉ À SERVIR | INSTRUCTIONS |
|-----------|---|--|
| Assiettée | 1 portion (1 assiette), 8-16 oz (0,2-0,45 kg) | Placer le mets sur une assiette, le recouvrir et laisser une ouverture d'échappement de l'air. |
| Soupe | 1-4 tasses (250 mL-1 L) | Placer dans un contenant pour micro-ondes, le recouvrir et laisser une ouverture d'échappement de l'air. |

*Ne pas utiliser des sacs de papier ordinaires ou ustensiles en verre. Attendre que l'éclatement ralentisse à 1 éclatement toutes les 1 ou 2 secondes, et puis arrêter le cycle. Ne pas essayer de faire éclater les grains qui n'ont pas éclaté. Utiliser des sacs de maïs à éclater frais pour des résultats optimaux. Les résultats de cuisson peuvent varier en fonction de la marque et de la teneur en matières grasses.

Utilisation de la cuisson à détection :

Avant de l'utiliser, s'assurer que le four à micro-ondes est branché depuis au moins 3 minutes, que la température de la pièce n'est pas supérieure à 95°F (35°C) et que l'extérieur du contenant et la cavité du four à micro-ondes sont secs.

1. Appuyer sur l'une des touches SENSOR (nommées dans le tableau).

Le four à micro-ondes se mettra en marche automatiquement après un bref délai. La barre de progression indique le temps approximatif qui reste.

À la fin du programme, "END" (fin) apparaît sur l'afficheur, 4 signaux de fin de programme sont émis, suivis de signaux de rappel à intervalles de 1 minute.

2. Appuyer sur CANCEL/OFF (annulation/arrêt) ou ouvrir la porte pour effacer l'affichage et/ou arrêter les signaux de rappel.

La durée de cuisson (sauf pour POPCORN) peut être modifiée pendant 20 secondes après avoir appuyé sur une touche.

Modification de la durée de cuisson : Appuyer à plusieurs reprises sur COOK POWER pour alterner entre les choix de durées "MORE" (plus), "LESS" (moins) ou "NORML".

Cuisson pré-réglée

Les durées et puissances de cuisson ont été pré-réglées pour aliments précis pour micro-ondes. Se servir du tableau suivant comme guide.

| ALIMENTS | TOUCHE | QUANTITÉ |
|-----------------------|--------|---------------------------------|
| Riz (capteur) | 1 | 0,5-2 tasses (125-500 mL) |
| Légumes en conserves | 2 | 1-4 tasses (250 mL-1 L) |
| Bacon* | 3 | 1-6 tranches, épaisseur moyenne |
| Céréales instantanées | 4 | 1-4 portions |
| Pain doré, congelé | 5 | 1-4 tranches |

*Les différences dans la quantité de gras, de viande, l'épaisseur et les procédés de salaison affectent les résultats. La moyenne est de 16 tranches par livre.

Utilisation de la cuisson pré-réglée :

1. Appuyer sur COOK.
2. Appuyer sur la touche numérique en fonction du tableau ou Appuyer à plusieurs reprises sur COOK pour parcourir la liste des aliments.
3. Appuyer sur les touches numériques pour entrer la quantité, sauf pour le riz.
4. Appuyer sur START (mise en marche).
L'afficheur procède à un compte à rebours de la durée de cuisson.

À la fin du programme, "END" (fin) apparaît sur l'afficheur, 4 signaux de fin de programme sont émis, suivis de signaux de rappel à intervalles de 1 minute.

5. Appuyer sur CANCEL•OFF (annulation/arrêt) ou ouvrir la porte pour effacer l'affichage et/ou arrêter les signaux de rappel.

Modification de la durée de cuisson : Appuyer à plusieurs reprises sur COOK POWER pour alterner entre les choix de durées "MORE" (plus), "LESS" (moins) ou "NORML".

Cuisson par étapes

Le four peut être réglé pour cuire à différentes puissances pour diverses durées, jusqu'à 3 étapes.

La cuisson à détection ne peut s'effectuer par étapes.

Cuisson par étapes :

1. Appuyer sur COOK TIME (durée de cuisson).
2. Appuyer sur les touches numériques pour entrer la durée de cuisson durant la première étape.
3. Appuyer sur COOK POWER (puissance de cuisson).
4. Appuyer sur la ou les touche(s) numérique(s) et se servir du tableau de la puissance de cuisson pour régler la puissance pour le premier programme.
5. Répéter les étapes 1 à 4 pour les deuxième et troisième étapes.
6. Appuyer sur START (mise en marche).
L'afficheur compte à rebours chaque durée de cuisson. Un "1," "2" et "3" apparaissent sur l'afficheur durant leurs étapes respectives.

À la fin du programme, "END" (fin) apparaît sur l'afficheur, 4 signaux de fin de programme sont émis, suivis de signaux de rappel à intervalles de 1 minute.

7. Appuyer sur CANCEL•OFF (annulation/arrêt) ou ouvrir la porte pour effacer l'affichage et/ou arrêter les signaux de rappel.

La durée et la puissance de cuisson peuvent être modifiées après avoir appuyé sur START sans interrompre la cuisson.

Modification de la durée de cuisson : Appuyer sur COOK TIME (durée de cuisson). Le compte à rebours gèlera pendant quelques secondes. Entrer la nouvelle durée de cuisson et appuyer sur START (mise en marche) ou attendre quelques secondes que le compte à rebours reprenne.

Modification de la puissance de cuisson : Appuyer à plusieurs reprises sur COOK POWER (puissance de cuisson) pour faire défiler les niveaux de puissance de cuisson. Appuyer sur START (mise en marche).

Réchauffage

Les durées et puissances de cuisson ont été pré-réglées pour le réchauffage des aliments précis. Se servir du tableau suivant comme guide.

| ALIMENTS | TOUCHE | QUANTITÉ |
|---|--------|------------------------------------|
| Tranche de pizza (capteur) | 1 | 1-3 tranches, 5 oz (142 g) chacune |
| Sauce (capteur) | 2 | 1-4 tasses (250 mL-1 L) |
| Mets en sauce | 3 | 1-4 tasses (250 mL-1 L) |
| Produits de boulangerie (exemple : muffin ou bagel moyen) | 4 | 1-6 morceaux, 2 oz (57 g) chacun |

Utilisation de Reheat (réchauffage) :

1. Appuyer sur REHEAT.
2. Appuyer sur la touche numérique en fonction du tableau ou Appuyer à plusieurs reprises sur REHEAT pour parcourir la liste des aliments.
3. Appuyer sur les touches numériques pour entrer la quantité.
4. Appuyer sur START (mise en marche).
L'afficheur procède à un compte à rebours de la durée de réchauffage.
À la fin du programme, "END" (fin) apparaît sur l'afficheur, 4 signaux de fin de programme sont émis, suivis de signaux de rappel à intervalles de 1 minute.
5. Appuyer sur CANCEL•OFF (annulation•arrêt) ou ouvrir la porte pour effacer l'affichage et/ou arrêter les signaux de rappel.

Modification de la durée de cuisson : Appuyer à plusieurs reprises sur COOK POWER pour alterner entre les choix de durées "MORE" (plus), "LESS" (moins) ou "NORML".

Décongélation

On peut utiliser la caractéristique JET DEFROST™ ou régler manuellement le four à micro-ondes pour la décongélation.

- Pour des résultats optimaux, l'aliment devrait être à 0°F (-18°C) ou moins lors de la décongélation.
- Déballez les aliments et enlevez les couvercles (des jus de fruit) avant la décongélation.
- Les paquets peu épais se décongèlent plus rapidement que les blocs épais.
- Séparer les morceaux d'aliment le plus tôt possible durant ou à la fin du programme pour une décongélation plus uniforme.
- Utiliser de petits morceaux de papier d'aluminium pour protéger les extrémités d'aliments telles que les ailes et pilons de poulet et les queues de poisson. Voir d'abord "Papier d'aluminium et métal".

Le système JET DEFROST™ comporte 3 catégories : viande, volaille et poisson. Il ne doit pas être utilisé pour un aliment laissé à l'extérieur du congélateur pendant plus de 20 minutes et pour les aliments cuisinés surgelés. Se servir du tableau suivant comme guide.

VIANDE

| | |
|--|---|
| <i>Boeuf</i> : haché, biftecks, rôti, ragoût | Les sections étroites ou grasses des morceaux de forme irrégulière devraient être recouvertes de papier d'aluminium avant la décongélation. Ne pas décongeler moins de ¼ lb (113 g) ou deux galettes de 4 oz (113 g). Placer toutes les viandes dans un plat de cuisson pour micro-ondes. |
| <i>Agneau</i> : ragoût et côtelettes | |
| <i>Porc</i> : côtelettes, côtes, rôtis, saucisse | |

VOLAILLE

| | |
|---------------------------------------|--|
| <i>Poulet</i> : entier et en morceaux | Placer dans un plat de cuisson pour micro-ondes, la poitrine de poulet vers le haut. |
| <i>Poulets de Cornouailles</i> | |
| <i>Dinde</i> : poitrine | Enlever les abats du poulet entier. |

POISSON

| | |
|---|--|
| <i>Filets, dames, entier, crustacés</i> | Placer dans un plat de cuisson pour micro-ondes. |
|---|--|

Utilisation du système JET DEFROST™ :

1. Appuyer sur la touche JET DEFROST™.
2. Appuyer sur la touche numérique 1 pour la viande, 2 pour la volaille ou 3 pour le poisson ou Appuyer à plusieurs reprises sur la touche JET DEFROST™ pour parcourir la liste d'aliments.
3. Appuyer sur les touches numériques pour entrer le poids.
Les viandes et la volaille peuvent être réglées de 0,2 à 6,6 lb (90 g à 3 kg). Le poisson peut être réglé de 0,2 à 4,4 lb (90 g à 2 kg).
4. Appuyer sur START (mise en marche).
L'afficheur procède à un compte à rebours de la durée de décongélation.
Vers le milieu de la période de décongélation, "TURN" (retourner) apparaîtra sur l'afficheur pendant que le four continue de fonctionner. Ouvrir la porte, retourner l'aliment, fermer la porte, puis appuyer sur START pour continuer.
À la fin du programme, "END" (fin) apparaît sur l'afficheur, 4 signaux de fin de programme sont émis, suivis de signaux de rappel à intervalles de 1 minute.
5. Appuyer sur CANCEL•OFF (annulation•arrêt) ou ouvrir la porte pour effacer l'affichage et/ou arrêter les signaux de rappel.

Modification de la durée de cuisson : Appuyer à plusieurs reprises sur COOK POWER pour alterner entre les choix de durées "MORE" (plus), "LESS" (moins) ou "NORML".

Pour décongeler manuellement :

1. Appuyer sur COOK TIME (durée de cuisson).
2. Appuyer sur les touches numériques pour régler une durée de décongélation.
3. Appuyer sur COOK POWER (puissance de cuisson).
4. Appuyer sur la touche numérique 3.
5. Appuyer sur START (mise en marche).

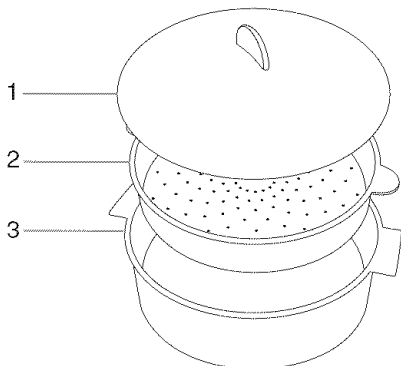
L'afficheur procède à un compte à rebours de la durée de décongélation.

À la fin du programme, "END" (fin) apparaît sur l'afficheur, 4 signaux de fin de programme sont émis, suivis de signaux de rappel à intervalles de 1 minute.

6. Appuyer sur CANCEL•OFF (annulation-arrêt) ou ouvrir la porte pour effacer l'affichage et/ou arrêter les signaux de rappel.

Étuvage

Utiliser le cuiseur à vapeur (fourni avec le four à micro-ondes) avec la caractéristique Steam Cook (cuisson à la vapeur) pour étuver les aliments.



1. Couvercle de cuisson
2. Passoire
3. Plat

Voir la section "Nettoyage général" pour plus de renseignements.

- Le cuiseur à vapeur deviendra chaud. Toujours utiliser des mitaines de four ou maniques lors de la manipulation.
- Ne pas utiliser dans un four conventionnel ou combiné, avec les fonctions de croustillage ou de cuisson au gril ou sur des éléments électriques ou brûleurs à gaz.
- Utiliser des ustensiles de plastique pour éviter les égratignures.
- Ne pas remplir excessivement. Il est recommandé de remplir seulement à moitié.

Couvercle de cuisson : Toujours l'utiliser durant la cuisson. Le placer directement sur la passoire et le plat ou seulement le plat.

Passoire : Utiliser pour les aliments tels que le poisson, les légumes et les pommes de terre. Ne pas utiliser avec les aliments tels que le riz, les pâtes et les haricots blancs. Lors de l'utilisation, la placer directement au-dessus du plat.

Plat : Utiliser pour les aliments tels que le riz et les pâtes.

Utilisation de Steam Cook :

Avant l'utilisation, s'assurer que le four à micro-ondes est branché depuis au moins 3 minutes et remplir le plat d'au moins ¼ tasse (60 mL) d'eau lors de l'utilisation de la passoire. Une plus grande quantité d'eau peut être nécessaire lorsque la passoire n'est pas utilisée. Placer le cuiseur à vapeur au centre du plateau rotatif.

1. Appuyer sur STEAM COOK (cuisson à la vapeur).
2. Appuyer sur les touches numériques pour entrer la durée d'étuvage.
3. Appuyer sur START (mise en marche).

"BOIL" (ébullition) apparaît sur l'afficheur. Lorsque l'eau commence à bouillir, l'afficheur procède au compte à rebours de la durée d'étuvage.

À la fin du programme, "END" (fin) apparaît sur l'afficheur, 4 signaux de fin de programme sont émis, suivis de signaux de rappel à intervalles de 1 minute.

4. Appuyer sur CANCEL/OFF (annulation/arrêt) ou ouvrir la porte pour effacer l'affichage et/ou arrêter les signaux de rappel.

Mijotage

Utiliser Simmer Cook (mijotage) pour les aliments tels que les soupes, mets en sauce, ragoûts et autres aliments liquides. Cette fonction peut aussi être utilisée pour cuire les pâtes.

Utilisation de Simmer Cook :

Avant de l'utiliser, s'assurer que le four à micro-ondes est branché depuis au moins 3 minutes, ajouter ¼ à ½ tasse (60 à 125 mL) d'eau aux légumes et couvrir le plat avec son couvercle, et pas de pellicule de plastique.

1. Appuyer sur SIMMER COOK (mijotage).
2. Appuyer sur les touches numériques pour régler une durée de mijotage.
3. Appuyer sur START (mise en marche).

"BOIL" (ébullition) apparaît sur l'afficheur. Lorsque l'eau commence à bouillir, l'afficheur procède au compte à rebours de la durée de mijotage.

À la fin du programme, "END" (fin) apparaît sur l'afficheur, 4 signaux de fin de programme sont émis, suivis de signaux de rappel à intervalles de 1 minute.

4. Appuyer sur CANCEL/OFF (annulation/arrêt) ou ouvrir la porte pour effacer l'affichage et/ou arrêter les signaux de rappel.

Mijotage des pâtes

Utiliser un contenant assez grand pour que l'eau couvre complètement l'aliment. Ajouter 1 c. à soupe (15 mL) d'huile à l'eau. Placer le contenant et l'eau dans le four à micro-ondes, suivre les étapes ci-dessus et régler une durée de mijotage de 1 seconde. À la fin de la période, retirer le contenant du four à micro-ondes, enlever le couvercle, mettre l'aliment dans l'eau, recouvrir, remettre au four, puis suivre les étapes ci-dessus pour régler la durée de mijotage désirée.

Garder au chaud

⚠ AVERTISSEMENT

Risque d'empoisonnement alimentaire

Ne pas laisser des aliments dans un four plus d'une heure avant ou après la cuisson.

Le non-respect de cette instruction peut causer un empoisonnement alimentaire ou une maladie.

Les aliments cuits chauds peuvent être gardés chauds dans le four à micro-ondes. Cette fonction peut être utilisée seule ou après un programme de cuisson automatique. L'ouverture de la porte avant la fin du programme annulera la fonction.

Utilisation :

Placer l'aliment cuit chaud dans le four. Couvrir les assiettes d'aliments et les aliments qui ont été cuits couverts. Ne pas couvrir les pâtisseries, tartes, chaussons, etc.

1. Appuyer sur WARM HOLD (garder au chaud).
2. Appuyer sur START (mise en marche).

"WARM" apparaît sur l'afficheur et la durée de garde au chaud fait l'objet d'un compte à rebours.

À la fin du programme, "END" (fin) apparaît sur l'afficheur, 4 signaux de fin de programme sont émis, suivis de signaux de rappel à intervalles de 1 minute.

3. Appuyer sur CANCEL•OFF (annulation-arrêt) ou ouvrir la porte pour effacer l'affichage et/ou arrêter les signaux de rappel.

Réglage de la fin d'un programme : Appuyer sur WARM HOLD durant le réglage d'un programme de cuisson avant d'appuyer sur START, ou durant la cuisson.

ENTRETIEN DU FOUR À MICRO-ONDES

Nettoyage général

IMPORTANT : Avant le nettoyage, s'assurer que toutes les commandes sont désactivées et que le four est froid. Toujours suivre les instructions sur l'étiquette des produits de nettoyage.

Le savon, l'eau et un linge doux ou une éponge sont suggérés en premier à moins d'avis contraire.

FILTRES À GRAISSE

Ne pas utiliser d'ammoniaque ou d'agents de nettoyage corrosifs tels que les nettoyeurs à four à base de lessive.

- Eau chaude et détergent doux :

Faire tremper les filtres, puis les frotter et les agiter pour déloger la saleté et la graisse incrustées. Bien rincer et sécher en secouant.

- Lave-vaisselle :

Laver séparément, pas avec de la vaisselle sale, parce que les aliments peuvent se prendre dans les filtres.

CAVITÉ DU FOUR

Ne pas utiliser de tampons savonneux à récurer, de nettoyeurs abrasifs, de tampons en laine d'acier, de chiffons rugueux de lavage ou certains genres d'essuie-tout recyclés. Des dommages peuvent survenir.

La surface où la porte et le cadre du four se touchent quand la porte est fermée, doit être maintenue propre.

Saleté moyenne

- Savons et détergents doux, non abrasifs :

Rincer à l'eau propre et assécher avec un linge doux sans charpie.

Saleté intense

- Savons et détergents doux, non abrasifs :

Faire chauffer une tasse (250 mL) d'eau pendant 2 à 5 minutes dans le four. La vapeur amollira la saleté. Rincer à l'eau propre et assécher avec un linge doux sans charpie.

Odeurs

- Jus de citron ou vinaigre :

Faire chauffer une tasse (250 mL) d'eau avec une cuillerée à soupe (15 mL) de jus de citron ou de vinaigre pendant 2 à 5 minutes dans le four.

EXTÉRIEUR DE LA PORTE DU FOUR

- Un nettoyeur à vitre et des essuie-tout ou des tampons à récurer en plastique non abrasifs.

Appliquer le nettoyeur à vitre sur un linge doux ou une éponge, et non pas directement sur le tableau.

LE CUISEUR À VAPEUR

- Brosse douce, si nécessaire, pour nettoyer les trous.

- Lave-vaisselle :

Le cuiseur à vapeur est lavable au lave-vaisselle.

Taches tenaces

Pour enlever les taches telles que la sauce aux tomates, utiliser un nettoyeur ou un tampon non abrasif ou une solution de détergent pour lave-vaisselle et de l'eau (1/4 de tasse [60 mL] de détergent pour 1 tasse [250 mL] d'eau tiède).

PLATEAU ROTATIF

Remettre le plateau rotatif en place immédiatement après le nettoyage. Ne pas faire fonctionner le four lorsque le plateau rotatif est enlevé.

- Nettoyeur doux et tampon à récurer

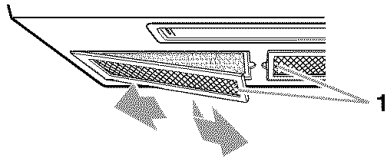
- Lave-vaisselle

Remplacement des filtres

Les filtres à graisse devraient être enlevés et nettoyés au moins une fois par mois. Les filtres au charbon ne peuvent être lavés et devraient être remplacés à intervalles de 6 à 12 mois. Ne pas faire fonctionner le four à micro-ondes sans que les filtres soient en place. Voir "Assistance ou service" pour passer une nouvelle commande de filtres. Voir "Nettoyage général" pour les instructions de nettoyage.

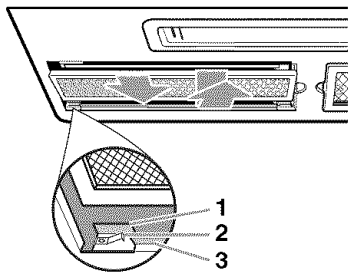
Enlèvement :

1. Débrancher le four à micro-ondes ou déconnecter la source de courant électrique.
2. Enlever les filtres à graisse en les poussant vers le haut et en les glissant vers le côté. Tirer l'onglet vers le bas jusqu'à ce que le filtre se dégage.



1. Onglets

3. Enlever les filtres au charbon en poussant l'arrière de chaque filtre en l'éloignant de soi jusqu'à ce que l'avant du filtre glisse hors de la lèvre inférieure. Rabattre l'avant du filtre et le glisser vers l'extérieur.



1. Lèvre supérieure
2. Ressort
3. Lèvre inférieure

Réinstallation :

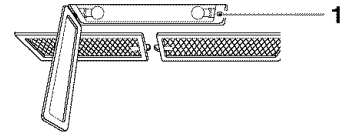
1. Réinstaller les filtres au charbon en positionnant le filtre à l'arrière de l'ouverture et en l'appuyant sur les ressorts. Tout en poussant le filtre dans les ressorts, positionner l'avant du filtre entre les lèvres supérieure et inférieure.
2. Réinstaller les filtres à graisse en insérant une extrémité dans le châssis. Relever l'autre côté et le glisser en place.
3. Brancher le four à micro-ondes ou reconnecter la source de courant électrique.

Remplacement de la lampe de la table de cuisson

La lampe de la table de cuisson est une ampoule de 30 watts à culot candélabre. Voir la section "Assistance ou service" pour passer une nouvelle commande.

Remplacement :

1. Débrancher le four à micro-ondes ou déconnecter la source de courant électrique.
2. Enlever les vis de montage du couvercle de l'ampoule.



1. Vis de montage

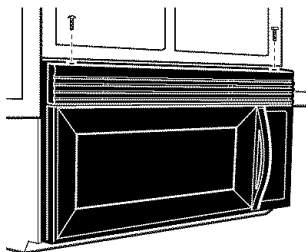
3. Remplacer la lampe. Rabattre le couvercle. Réinstaller les vis de montage.
4. Brancher le four à micro-ondes ou reconnecter la source de courant électrique.

Remplacement de la lampe du four

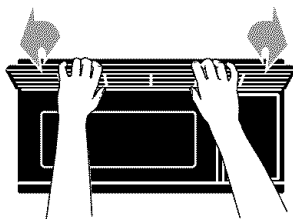
La lampe du four à micro-ondes est une ampoule de 30 watts à culot candélabre. Elle s'allume automatiquement à l'ouverture de la porte et durant le fonctionnement du four. Voir la section "Assistance ou service" pour passer une nouvelle commande.

Remplacement :

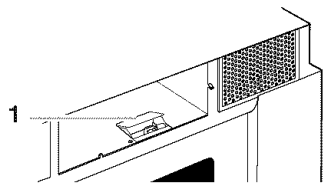
1. Débrancher le four à micro-ondes ou déconnecter la source de courant électrique.
2. Ôter les deux vis de montage externes de la grille d'évent au-dessus du couvercle.



3. Faire basculer la grille vers l'avant, puis la soulever pour l'enlever.

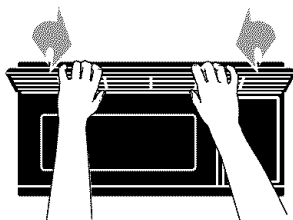


4. Soulever le couvercle de la lampe.



1. Couvercle de la lampe

5. Réinstaller la lampe. Rabattre le couvercle.
6. Réinstaller la grille d'évent. Réinstaller les vis de montage.



7. Brancher le four à micro-ondes ou reconnecter la source de courant électrique.

DÉPANNAGE

Essayer les solutions suggérées ici d'abord afin d'éviter le coût d'une visite de service non nécessaire.

Rien ne fonctionne

- **Un fusible du domicile est-il grillé ou le disjoncteur s'est-il déclenché?**
Remplacer le fusible ou réenclencher le disjoncteur.
- **L'appareil est-il correctement raccordé?**
Voir les instructions d'installation.

Le four ne fonctionne pas

- **La porte est-elle fermée complètement?**
Bien fermer la porte.
- **Une cale d'espacement (sur certains modèles) est-elle fixée à l'intérieur de la porte?**
Enlever la cale d'espacement, puis bien fermer la porte.
- **La commande électronique du four est-elle bien réglée?**
Voir la section "Commande du four à micro-ondes".
- **Sur certains modèles, le verrouillage des commandes est-il réglé?**
Voir la section "Verrouillage pour enfants".
- **Le magnétron fonctionne-t-il correctement?**
Chauffer 1 tasse (250 mL) d'eau froide pendant 2 minutes à 100 % de la puissance de cuisson. Si l'eau ne chauffe pas, faire un appel de service. Voir la section "Assistance ou service".

Le four bourdonne

- Ceci est normal et se produit lorsque l'alimentation électrique allume et éteint le magnétron par intermittence.

La porte du four semble gondlée

- Ceci est normal et n'affecte pas la performance.

Le plateau rotatif ne fonctionne pas

- **Le plateau rotatif est-il bien en place?**
S'assurer que le plateau rotatif est à l'endroit et repose bien sur son support.
- **Le support du plateau rotatif fonctionne-t-il correctement?**
Retirer le plateau rotatif. Retirer et réinstaller le support du plateau rotatif. Réinstaller le plateau rotatif. Placer 1 tasse (250 mL) d'eau, puis remettre le four à micro-ondes en marche. S'il ne fonctionne toujours pas, faire un appel de service. Voir la section "Assistance ou service". Ne pas faire fonctionner le four sans que le plateau rotatif et son support fonctionnent correctement.

Le plateau rotatif tourne dans les deux sens

- Ceci est normal et dépend de la rotation du moteur au début du programme.

L'affichage indique des messages

- **L'affichage indique-t-il “-”?**
Il y a eu une panne de courant ou l'horloge a été éteinte. Voir la section “Affichage” pour effacer l'affichage. Voir la section “Horloge” pour régler de nouveau l'horloge ou la mettre en marche.
- **L'affichage indique-t-il une lettre suivie d'un chiffre?**
Voir la section “Affichage” pour effacer l'affichage. S'il réapparaît, faire un appel de service. Voir la section “Assistance ou service”.

L'afficheur indique le compte à rebours, mais ne fonctionne pas

- **La minuterie est-elle en cours d'utilisation?**
Voir la section “Minuterie”.
- **Sur certains modèles, le mode Démonstration est-il réglé?**
Voir la section “Mode démonstration”.

Les signaux sonores ne sont pas émis

- **Les signaux sonores sont-ils désactivés?**
Voir la section “Signaux sonores”.

De la vapeur sort de la grille d'évent

- Un peu de vapeur est normal.

Le ventilateur tourne plus lentement que d'habitude

- **Le four a-t-il été remis dans un endroit froid?**
Le ventilateur tournera plus lentement jusqu'à ce que le four atteigne la température ambiante normale.

Les durées de cuisson semblent trop longues

- **La puissance de cuisson est-elle bien réglée?**
Voir la section “Puissance de cuisson”.
- **Chauffe-t-on de grosses quantités d'aliments?**
Les quantités plus grandes d'aliments nécessitent des durées de cuisson plus longues.
- **La tension d'alimentation est-elle inférieure à celle indiquée dans “Sécurité du four à micro-ondes”?**
Faire vérifier le système électrique du domicile par un électricien qualifié.

Brouillage par la radio ou le téléviseur

- **Le four à micro-ondes est-il branché sur la même prise?**
Essayer une prise différente.
- **La radio ou le téléviseur se trouve-t-il près du four à micro-ondes?**
Éloigner l'appareil du four à micro-ondes ou ajuster l'antenne de la radio ou du téléviseur.
- **La porte du four à micro-ondes et les surfaces d'étanchéité sont-elles propres?**
S'assurer que ces zones sont propres.

ASSISTANCE OU SERVICE

Avant de faire un appel pour assistance ou service, consulter la section “Dépannage”. Ce guide peut vous faire économiser le coût d'une visite de service. Si vous avez encore besoin d'aide, suivre les instructions ci-dessous.

Lors d'un appel, veuillez connaître la date d'achat, le numéro de modèle et le numéro de série au complet de l'appareil. Ces renseignements nous aideront à mieux répondre à votre demande.

Si vous avez besoin de pièces de rechange

Si vous avez besoin de commander des pièces de rechange, nous vous recommandons d'employer uniquement des pièces de rechange FSP®. Les pièces de rechange FSP® conviendront et fonctionneront bien parce qu'elles sont fabriquées avec la même précision utilisée dans la fabrication de chaque nouvel appareil WHIRLPOOL®.

Pour obtenir des pièces de rechange FSP® dans votre région, composer le numéro de téléphone de notre Centre d'interaction avec la clientèle ou du centre de service désigné le plus proche de Whirlpool.

Pour des questions relatives aux produits, veuillez appeler sans frais le Centre d'interaction avec la clientèle de Whirlpool Canada Inc. au : **1-800-461-5681**.

Lundi à vendredi 8 h - 18 h (HNE).

Samedi 8 h 30 - 16 h 30 (HNE).

Nos consultants vous renseigneront sur les sujets suivants :

- Caractéristiques et spécifications sur toute notre gamme d'appareils électroménagers.
- Références aux marchands locaux.

Pour pièces, accessoires et service au Canada

Composer le **1-800-807-6777**. Les techniciens de service désignés par Whirlpool Canada Inc. sont formés pour remplir la garantie des produits et fournir un service après la garantie, partout au Canada.

Pour plus d'assistance

Si vous avez besoin de plus d'assistance, vous pouvez soumettre par écrit toute question ou préoccupation à Whirlpool Canada Inc. à l'adresse suivante :

Centre d'interaction avec la clientèle
Whirlpool Canada Inc.
1901 Minnesota Court
Mississauga, Ontario L5N 3A7

Veuillez inclure dans votre correspondance un numéro de téléphone où on peut vous joindre le jour.

Pièces de rechange et accessoires

Plateau rotatif
N° de pièce 4393799

Support du plateau rotatif et
roulettes
N° de pièce 8184102

Roulettes du plateau rotatif
N° de pièce 4393753

Axe du plateau rotatif
N° de pièce 8183949

Grille de cuisson
N° de pièce 8183813

Cuiseur à vapeur
N° de pièce 8184864

Filtres à graisse
N° de pièce 8169758

Filtre au charbon
N° de pièce 4393791

Ampoule de la table de
cuisson et du four à micro-
ondes

N° de pièce 4393681

Nettoyant et poli d'acier
inoxydable
N° de pièce 8171420

GARANTIE DE L'ENSEMBLE FOUR À MICRO-ONDES/ HOTTE WHIRLPOOL®

GARANTIE COMPLÈTE DE UN AN

Pendant un an à compter de la date d'achat, lorsque cet appareil ménager a été utilisé et entretenu conformément aux instructions fournies avec ou joints au produit, Whirlpool Corporation paiera pour les pièces de rechange FSP® et les frais de main-d'œuvre pour corriger les vices de matériaux ou de fabrication. Le service doit être fourni par une compagnie de service désignée par Whirlpool.

GARANTIE LIMITÉE DE LA DEUXIÈME À LA CINQUIÈME ANNÉE INCLUSIVEMENT POUR LE TUBE MAGNÉTRON

De la deuxième à la cinquième année inclusivement à compter de la date d'achat, lorsque cet appareil ménager a été utilisé et entretenu conformément aux instructions fournies avec ou joints au produit, Whirlpool Corporation paiera pour les pièces de rechange FSP® du magnétron en cas de vices de matériaux ou de fabrication.

Whirlpool Corporation et Whirlpool Canada Inc. ne paieront pas pour :

1. Les visites de service pour rectifier l'installation de l'appareil ménager, montrer à l'utilisateur comment utiliser l'appareil, remplacer des fusibles ou rectifier le câblage du domicile ou remplacer des ampoules électriques et des filtres accessibles par le propriétaire.
2. Les réparations lorsque l'appareil ménager est utilisé à des fins autres que l'usage unifamilial normal.
3. Le ramassage et la livraison. L'appareil ménager est conçu pour être réparé à domicile.
4. Les dommages causés par : accident, modification, mésusage, abus, incendie, inondation, mauvaise installation, actes de Dieu ou l'utilisation de produits non approuvés par Whirlpool Corporation et Whirlpool Canada Inc.
5. Les réparations aux pièces ou systèmes résultant d'une modification non autorisée faite à l'appareil.
6. Le coût des pièces de rechange et de la main-d'œuvre pour les appareils utilisés hors du Canada.
7. Les frais de main-d'œuvre au cours de la garantie limitée.
8. Les frais de voyage ou de transport pour les clients qui habitent dans des régions éloignées.

WHIRLPOOL CORPORATION ET WHIRLPOOL CANADA INC. N'ASSUMENT AUCUNE RESPONSABILITÉ POUR LES DOMMAGES FORTUITS OU INDIRECTS.

Certaines provinces ne permettent pas l'exclusion ou la limitation des dommages fortuits ou indirects de sorte que cette exclusion ou limitation peut ne pas être applicable dans votre cas. Cette garantie vous confère des droits juridiques spécifiques et vous pouvez également jouir d'autres droits qui peuvent varier d'une province à une autre.

À l'extérieur du Canada, cette garantie ne s'applique pas. Contacter votre marchand Whirlpool autorisé pour déterminer si une autre garantie s'applique.

Si vous avez besoin de service, voir d'abord la section "Dépannage" de ce manuel. Après avoir vérifié la section "Dépannage", une aide additionnelle peut être trouvée en vérifiant la section "Assistance ou service" ou en téléphonant au Centre d'interaction avec la clientèle Whirlpool au **1-800-461-5681** (sans frais) ou en écrivant au Centre d'interaction avec la clientèle, Whirlpool Canada Inc., 1901 Minnesota Court, Mississauga, Ontario L5N 3A7.

5/00

Conservez ce manuel et votre reçu de vente ensemble pour référence ultérieure. Pour le service sous garantie, vous devez présenter un document prouvant la date d'achat ou d'installation.

Inscrivez les renseignements suivants au sujet de votre appareil ménager pour mieux vous aider à obtenir assistance ou service en cas de besoin. Vous devez connaître le numéro de modèle et le numéro de série au complet. Cette information se trouve sur la plaque signalétique indiquant le numéro de série et le numéro de modèle, située sur votre appareil tel qu'indiqué à la section "Pièces et caractéristiques".

Nom du marchand _____

Adresse _____

Numéro de téléphone _____

Numéro de modèle _____

Numéro de série _____

Date d'achat _____

8185486/4619-652-62311
© 2003 Whirlpool Corporation.
All rights reserved.
Tous droits réservés.

® Registered Trademark/TM Trademark of Whirlpool, U.S.A., Whirlpool Canada Inc. licensee in Canada
*Styrofoam is a Registered Trademark of The Dow Chemical Company.
© Marque déposée/TM Marque de commerce de Whirlpool, U.S.A., Emploi licencié par Whirlpool Canada Inc. au Canada
*Styrofoam est une marque déposée de The Dow Chemical Company.



7/03
Printed in China
Imprimé en Chine