

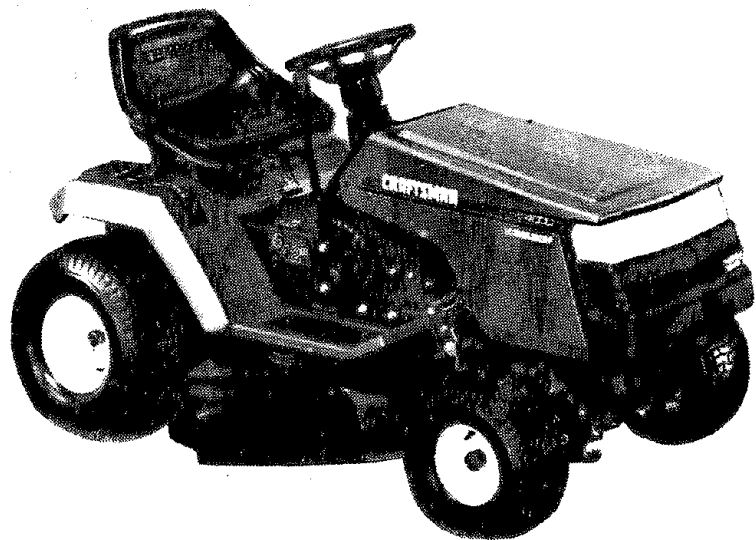
**SEARS**

**OWNER'S  
MANUAL**

**MODEL NO.  
917.255581**

**Caution:**  
Read and follow  
all Safety Rules  
and Instructions  
Before Operating  
This Equipment

**3 in 1**  
Convertible



**CRAFTSMAN<sup>®</sup>**

**12.5 HP I/C**

**ELECTRIC START**

**3 in One Convertible**

**42" MOWER DECK**

**6 SPEED TRANSAXLE**

**LAWN TRACTOR**

- Assembly
- Operation
- Customer Responsibilities
- Service and Adjustment
- Repair Parts

Sears, Roebuck and Co., Chicago, IL 60684 U.S.A.



# SAFETY RULES

## Safe Operation Practices for Ride-On Mowers



**IMPORTANT:** THIS CUTTING MACHINE IS CAPABLE OF AMPUTATING HANDS AND FEET AND THROWING OBJECTS. FAILURE TO OBSERVE THE FOLLOWING SAFETY INSTRUCTIONS COULD RESULT IN SERIOUS INJURY OR DEATH.

### I. GENERAL OPERATION

- Read, understand, and follow all instructions in the manual and on the machine before starting.
- Only allow responsible adults, who are familiar with the instructions, to operate the machine.
- Clear the area of objects such as rocks, toys, wire, etc., which could be picked up and thrown by the blade.
- Be sure the area is clear of other people before mowing. Stop machine if anyone enters the area.
- Never carry passengers.
- Do not mow in reverse unless absolutely necessary. Always look down and behind before and while backing.
- Be aware of the mower discharge direction and do not point it at anyone. Do not operate the mower without either the entire grass catcher or the guard in place.
- Slow down before turning.
- Never leave a running machine unattended. Always turn off blades, set parking brake, stop engine, and remove keys before dismounting.
- Turn off blades when not mowing.
- Stop engine before removing grass catcher or unclogging chute.
- Mow only in daylight or good artificial light.
- Do not operate the machine while under the influence of alcohol or drugs.
- Watch for traffic when operating near or crossing roadways.
- Use extra care when loading or unloading the machine into a trailer or truck.

### II. SLOPE OPERATION

Slopes are a major factor related to loss-of-control and tipover accidents, which can result in severe injury or death. All slopes require extra caution. If you cannot back up the slope or if you feel uneasy on it, do not mow it.

#### DO:

- Mow up and down slopes, not across.
- Remove obstacles such as rocks, tree limbs, etc.
- Watch for holes, ruts, or bumps. Uneven terrain could overturn the machine. *Tall grass can hide obstacles.*
- Use slow speed. Choose a low gear so that you will not have to stop or shift while on the slope.
- Follow the manufacturer's recommendations for wheel weights or counterweights to improve stability.
- Use extra care with grass catchers or other attachments. These can change the stability of the machine.
- Keep all movement on the slopes *slow* and *gradual*. Do not make sudden changes in speed or direction.
- Avoid starting or stopping on a slope. If tires lose traction, disengage the blades and proceed slowly *straight* down the slope.

#### DO NOT:

- *Do not* turn on slopes unless necessary, and then, turn slowly and gradually downhill, if possible.
- *Do not* mow near drop-offs, ditches, or embankments. The mower could suddenly turn over if a wheel is over the edge of a cliff or ditch, or if an edge caves in.
- *Do not* mow on wet grass. Reduced traction could cause sliding.
- *Do not* try to stabilize the machine by putting your foot on the ground.

- *Do not* use grass catcher on steep slopes.

### III. CHILDREN

Tragic accidents can occur if the operator is not alert to the presence of children. Children are often attracted to the machine and the mowing activity. *Never* assume that children will remain where you last saw them.

- Keep children out of the mowing area and under the watchful care of another responsible adult.
- Be alert and turn machine off if children enter the area.
- Before and when backing, look behind and *down* for small children.
- Never carry children. They may fall off and be seriously injured or interfere with safe machine operation.
- Never allow children to operate the machine.
- Use extra care when approaching blind corners, shrubs, trees, or other objects that may obscure vision.

### IV. SERVICE

- Use extra care in handling gasoline and other fuels. They are flammable and vapors are explosive.
  - Use only an approved container.
  - Never remove gas cap or add fuel with the engine running. Allow engine to cool before refueling. Do not smoke.
  - Never refuel the machine indoors.
  - Never store the machine or fuel container inside where there is an open flame, such as a water heater.
- Never run a machine inside a closed area.
- Keep nuts and bolts, especially blade attachment bolts, tight and keep equipment in good condition.
- Never tamper with safety devices. Check their proper operation regularly.
- Keep machine free of grass, leaves, or other debris build-up. Clean oil or fuel spillage. Allow machine to cool before storing.
- Stop and inspect the equipment if you strike an object. Repair, if necessary, before restarting.
- Never make adjustments or repairs with the engine running.
- Grass catcher components are subject to wear, damage, and deterioration, which could expose moving parts or allow objects to be thrown. Frequently check components and replace with manufacturer's recommended parts, when necessary.
- Mower blades are sharp and can cut. Wrap the blade(s) or wear gloves, and use extra caution when servicing them.
- Check brake operation frequently. Adjust and service as required.



Look for this symbol to point out important safety precautions. It means **CAUTION!!! BECOME ALERT!!! YOUR SAFETY IS INVOLVED.**



**CAUTION:** Always disconnect spark plug wire and place wire where it cannot contact spark plug in order to prevent accidental starting when setting up, transporting, adjusting or making repairs.

**CONGRATULATIONS** on your purchase of a Sears Tractor. It has been designed, engineered and manufactured to give you the best possible dependability and performance.

Should you experience any problem you cannot easily remedy, please contact your nearest Sears Service Center/Department. We have competent, well-trained technicians and the proper tools to service or repair this unit.

Please read and retain this manual. The instructions will enable you to assemble and maintain your unit properly. Always observe the "SAFETY RULES".

MODEL NUMBER	917.255581
SERIAL NUMBER	_____
DATE OF PURCHASE	_____
THE MODEL AND SERIAL NUMBERS WILL BE FOUND ON A PLATE UNDER THE SEAT.	
YOU SHOULD RECORD BOTH SERIAL NUMBER AND DATE OF PURCHASE AND KEEP IN A SAFE PLACE FOR FUTURE REFERENCE.	

**MAINTENANCE AGREEMENT**

A Sears Maintenance Agreement is available on this product. Contact your nearest Sears store for details.

**CUSTOMER RESPONSIBILITIES**

- Read and observe the safety rules.
- Follow a regular schedule in maintaining, caring for and using your unit.
- Follow the instructions under "Customer Responsibilities" and "Storage" sections of this owner's manual.

**PRODUCT SPECIFICATIONS**

HORSEPOWER:	12.5
GASOLINE CAPACITY:	5 QUARTS UNLEADED REGULAR
OIL (3.0 PINTS):	SAE 30 (Above 32°F) SAE 5W-30 (Below 32°F)
SPARK PLUG (GAP.030 IN.):	CHAMPION RJ-19LM STD361458
VALVE CLEARANCE:	INTAKE .005 - .007 IN . EXHAUST .009 - .011 IN.
GROUND SPEED:	FORWARD 1st 1.10 MPH 2nd 1.40 MPH 3rd 2.00 MPH 4th 3.00 MPH 5th 4.20 MPH 6th 5.00 MPH REVERSE: 1.50 MPH
TIRE PRESSURE:	FRONT: 14 PSI REAR: 10 PSI
CHARGING SYSTEM:	3 AMPS BATTERY 5 AMPS HEADLIGHTS
BLADE BOLT TORQUE:	30-35 FT. LBS.

**WARNING:** This unit is equipped with an internal combustion engine and should not be used on or near any unimproved forest-covered, brush-covered or grass-covered land unless the engine's exhaust system is equipped with a spark arrester meeting applicable local or state laws (if any). If a spark arrester is used, it should be maintained in effective working order by the operator.

In the state of California the above is required by law (Section 4442 of the California Public Resources Code). Other states may have similar laws. Federal laws apply on federal lands. A spark arrester for the muffler is available through your nearest Sears Authorized Service Center (See REPAIR PARTS section of this manual).

**LIMITED TWO YEAR WARRANTY ON ELECTRIC START RIDING EQUIPMENT**

For two (2) years from the date of purchase, if this riding equipment is maintained, lubricated and tuned up according to the instructions in the owner's manual, Sears will repair or replace, free of charge, any parts found to be defective in material or workmanship.

This Warranty does not cover:

- Expendable items which become worn during normal use, such as blades, spark plugs, air cleaners and belts.
- Tire replacement or repair caused by punctures from outside objects, such as nails, thorns, stumps, or glass.
- Repairs necessary because of operator abuse, negligence, improper storage or accident or the failure to maintain the equipment according to the instructions contained in the owner's manual.
- Riding equipment used for commercial or rental purposes.

**LIMITED 90 DAY WARRANTY ON BATTERY**

For 90 days from date of purchase, if any battery included with this riding equipment proves defective in material or workmanship and our testing determines the battery will not hold a charge, Sears will replace the battery at no charge.

WARRANTY SERVICE IS AVAILABLE BY RETURNING THE RIDING EQUIPMENT TO THE NEAREST SEARS SERVICE CENTER/DEPARTMENT IN THE UNITED STATES.

This Warranty gives you specific legal rights, and you may also have other rights which may vary from state to state.

SEARS, ROEBUCK AND CO., D/731CR-W, SEARS TOWER, CHICAGO, ILLINOIS 60684

# TABLE OF CONTENTS

SAFETY RULES .....	2	OPERATION .....	11-14
PRODUCT SPECIFICATIONS .....	3	MAINTENANCE SCHEDULE .....	15
CUSTOMER RESPONSIBILITIES .....	3, 15-18	SERVICE AND ADJUSTMENTS .....	19-24
WARRANTY .....	3	STORAGE .....	25
TABLE OF CONTENTS .....	4	TROUBLESHOOTING .....	26-27
INDEX .....	4	REPAIR PARTS - TRACTOR .....	30-45
TRACTOR ACCESSORIES .....	5	REPAIR PARTS - ENGINE .....	46-50
ASSEMBLY .....	7-10	PARTS ORDERING/SERVICE .....	BACK PAGE



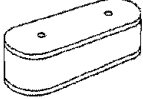
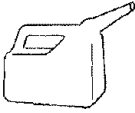


## INDEX

<b>A</b>		<b>E</b>		<b>Operation</b> .....		11-14
Accessories .....	5	Electrical:		Operating Mower .....	13	
Adjustments:		Interlocks and Relays .....	23	Options:		
Brake .....	21	Schematic .....	29	Accessories .....	5	
Carburetor .....	24	Wiring Diagram .....	30	Spark Arrester .....	3,40	
Mower		Engine:		<b>P</b>		
Front-To-Back .....	20	Air Filter .....	18	Parking Brake .....	11-12	
Side-To-Side .....	20	Air Filter Foam Pre-Cleaner .....	18	Parts Bag .....	6	
Throttle Control Cable .....	24	Air Screen .....	18	Parts, Replacement/Repair .....	30-45	
Air Filter, Engine .....	18	Cooling Fins, Engine .....	18	Product Specifications .....	3	
Air Screen, Engine .....	18	Oil Change .....	17	<b>R</b>		
Assembly .....	7-10	Oil Level .....	13,17	Repair Parts .....	30-45	
<b>B</b>		Oil Type .....	17	<b>S</b>		
Battery:		Preparation .....	13	Safety Rules .....	2	
Charging .....	8	Repair Parts .....	46-50	Seat .....	8	
Cleaning .....	17	Starting .....	14	Service and Adjustments .....	19-24	
Installation .....	9	Storage .....	25	Carburetor .....	24	
Levels .....	8,17	<b>F</b>		Fuse .....	23	
Preparation .....	8	Filter:		Hood Removal/Installation .....	23	
Starting with Weak Battery .....	22	Air Filter .....	18	Motion Drive Belt		
Storage .....	25	Air Filter Foam Pre-Cleaner .....	18	Removal/Replacement .....	21	
Terminals .....	17	Fuel .....	18	Mower Blade Drive Belt		
Belt:		Fuel:		Removal/Replacement .....	21	
Motion Drive		Type .....	13	Mower Adjustment		
Removal/Replacement .....	21	Storage .....	25	Front- to-Back .....	20	
Mower Blade Drive		Fuse .....	23	Side-to-Side .....	20	
Removal/Replacement .....	21	<b>H</b>		Mower Removal .....	19	
Blade:		Hood Removal/Installation .....	23	Tire Care .....	8,16,22	
Sharpening .....	16	<b>L</b>		Slope Guide Sheet .....	51	
Replacement .....	16	Leveling Mower Deck .....	20	Spark Plugs .....	18	
Brake Adjustment .....	21	Lubrication:		Specifications .....	3	
<b>C</b>		Chart .....	15	Starting the Engine .....	13-14	
Carburetor Adjustment .....	24	<b>M</b>		Steering Wheel .....	7,22	
Controls, Tractor .....	11	Maintenance Schedule .....	15	Stopping the Tractor .....	12	
Customer Responsibilities .....	15-18	Mower:		Storage .....	25	
Engine:		Adjustment, Front-to-Back .....	20	<b>T</b>		
Air Filter .....	18	Adjustment, Side-to-Side .....	20	Throttle Control Cable		
Air Filter Foam Pre-Cleaner .....	18	Blade Sharpening .....	16	Adjustment .....	24	
Air Screen, Engine .....	18	Blade Replacement .....	16	Tires .....	8,16,22	
Battery .....	17	Blade Replacement .....	16	Trouble Shooting Chart .....	26-27	
Cooling Fins, Engine .....	18	Cutting Height .....	12	Transaxle:		
Engine Oil .....	17	Installation .....	19	Repair Parts .....	44-45	
Fuel Filter .....	18	Operation .....	13	<b>W</b>		
Spark Plugs .....	18	Removal .....	19	Warranty .....	3	
Tractor:		Mowing Tips .....	14	Wiring Diagram .....	30	
Blade .....	16	Muffler .....	18	Wiring Schematic .....	29	
Lubrication Chart .....	15	Spark Arrester .....	3,40			
Maintenance Schedule .....	15	Mulcher Plate .....	10			
Tire Care .....	8,16,22	<b>O</b>				
Cutting Height, Mower .....	12	Oil:				
		Cold Weather Conditions .....	13,17			
		Engine .....	17			
		Storage .....	25			



# ACCESSORIES AND ATTACHMENTS

These accessories and attachments were available when the tractor was purchased. They are also available at most Sears retail outlets, catalog and service centers. Most Sears stores can order these items for you when you provide the model number of your tractor.

## ENGINE

SPARK PLUG	MUFFLER	AIR FILTER	GAS CAN	ENGINE OIL	STABILIZER
					

## MAINTENANCE

BLADES	BELTS
	

## PERFORMANCE

Sears offers a wide variety of attachments that fit your tractor. Many of these are listed below with brief explanations of how they can help you. This list was current at the time of publication; however, it may change in future years - more attachments may be added, changes may be made in these attachments, or some may no longer be available or fit your model. **Contact your nearest Sears store for the accessories and attachments that are available for your tractor.**

Most of these attachments do not require additional hitches or conversion kits (those that do are indicated) and are designed for easy attaching and detaching.

**PERMANEX BAGGER** lets you collect grass clippings and leaves for a healthier, neater looking lawn. Two Permanex containers hold 30-gallon plastic bags.

**LAWN SWEEPERS** let you collect grass clippings and leaves.

**LAWN VACS** for powerful collection of heavy grass clippings and leaves. Wand attachment to pick up debris in hard-to-reach places.

**CARTS** make hauling easy. Variety of sizes available.

**ROLLER** for smoother lawn surface. 36-inch wide, 18-inch diameter water-tight drum holds up to 390 lbs. of weight. Rounded edges prevent harm to turf. Adjustable scraper automatically cleans drum.

**SPREADER/SEEDERS** make seeding, fertilizing, and weed killing easy. Broadcast spreaders are also useful for granular de-icers and sand.

**CORING AERATOR** takes small plugs out of soil to allow moisture and nutrients to reach grass roots. 36-inch swath. 24 hardened steel coring tips. 150 lb. capacity weight tray.

**AERATOR** promotes deep root growth for a healthy lawn. Tapered 2.5-inch steel spikes mounted on 10-inch diameter discs puncture holes in soil at close intervals to let moisture soak in. Steel weight tray for increased penetration.

**MULCH RAKE/DETHATCHER** loosens soil and flips thatch and matted leaves to lawn surface for easy pickup. Twenty spring tine teeth. Useful to prepare bare areas for seeding. Available for front or rear mounting.

**SPRAYERS** use 12-volt DC electric motor that connects to the tractor battery or other 12-volt source. Includes booms for automatic spraying when pulling, and hand held wand for spot spraying. Wand has adjustable spray pattern. For applying herbicides, insecticides, fungicides, and liquid fertilizers.

**SNOW BLADE** for snow removal only. 14-inch high, 42-inch wide blade clears 38-inch path when angled left or right. Raises, lowers with side lever. Adjustable skids; replaceable, reversible scraper bar. (Use with tire chains, wheel weights, or rear drawbar weight.)

**SNOWTHROWER** has 40-inch swath. Drum-type auger handles powdery and wet/heavy snow. Mounts easily with simple pin arrangement. Discharge chute adjusts from tractor seat. 6-inch diameter spout discharges snow 10 to 50 feet. Lift controlled at tractor seat. (Use with chains, wheel weights, or rear drawbar weight.)

**TIRE CHAINS** are heavy duty; closely spaced extra-large cross links give smooth ride, outstanding traction.

**WHEEL WEIGHTS** for rear wheels provide needed traction for snow removal or dozing heavy materials. In pairs. (30 lbs. each.)

**TRACTOR CAB** has heavy duty vinyl fabric over tubular steel frame, ABS plastic top; clear plastic windshield offers 360 degree visibility. Hinged metal doors with catch. Keeps operator warm and dry. Remove vinyl and windshields for use as sun protector in summer. (Catalog only.)

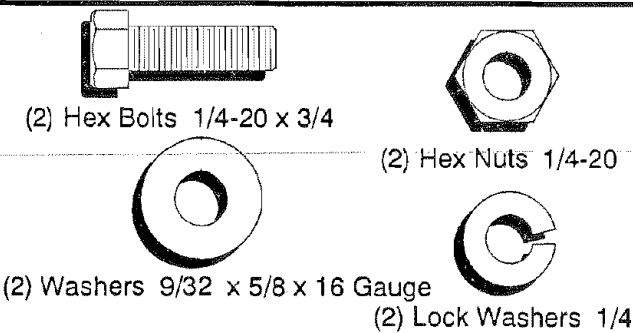
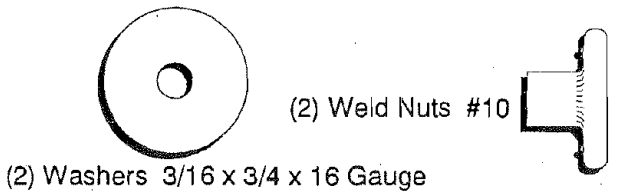
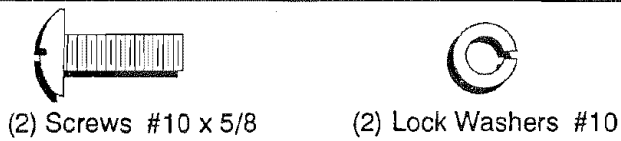
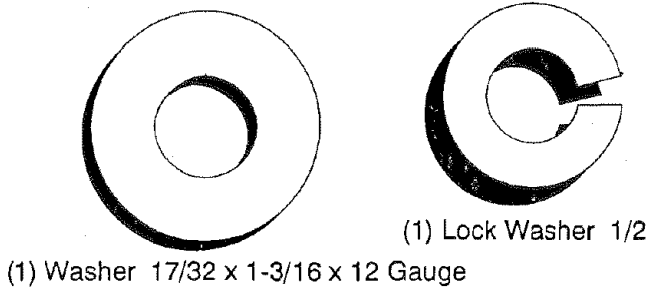
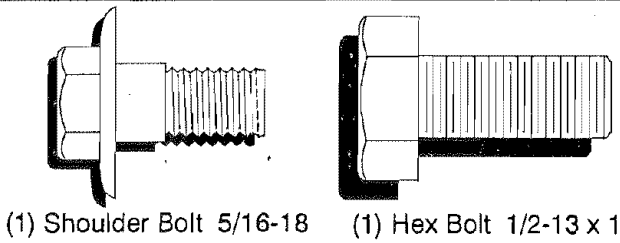
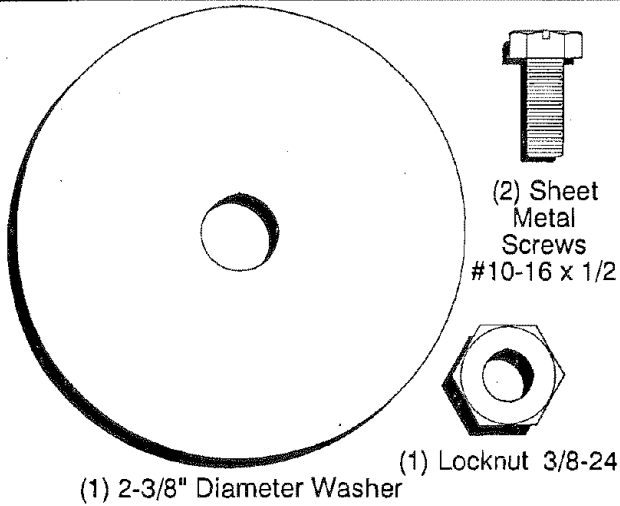
**Optional accessories for tractor cab:** tinted/tempered solid safety glass windshield with hand operated wiper; 12-volt amber caution light for mounting on cab top. (Catalog only.)

**TRACTOR COVER** protects tractor from weather. Made of Evolution 3 fabric (water-repellent, extremely breathable, light weight, soft, non-abrasive, pliable in all temperatures, durable, stain/tear/puncture resistant, will not shrink or stretch.) (Catalog only.)

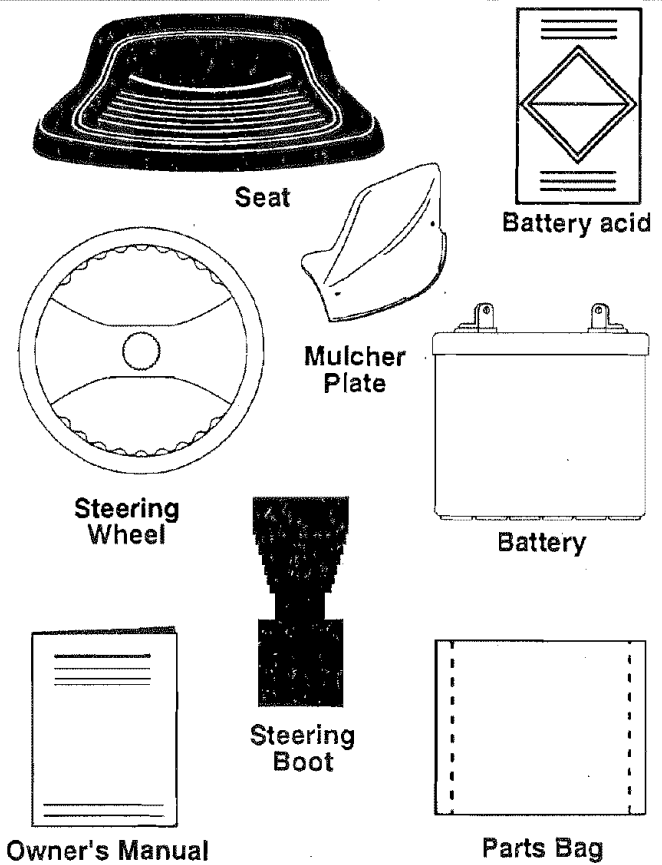
**TILLER** has 5 hp engine and 36-inch swath to prepare seed beds, cultivate, and compost garden residue. Tiller has its own built-in lift and depth control system and does NOT require a sleeve hitch. Fits any lawn, yard, or garden tractor. Simply hook up to the tractor drawbar and go!

# CONTENTS OF HARDWARE PACK

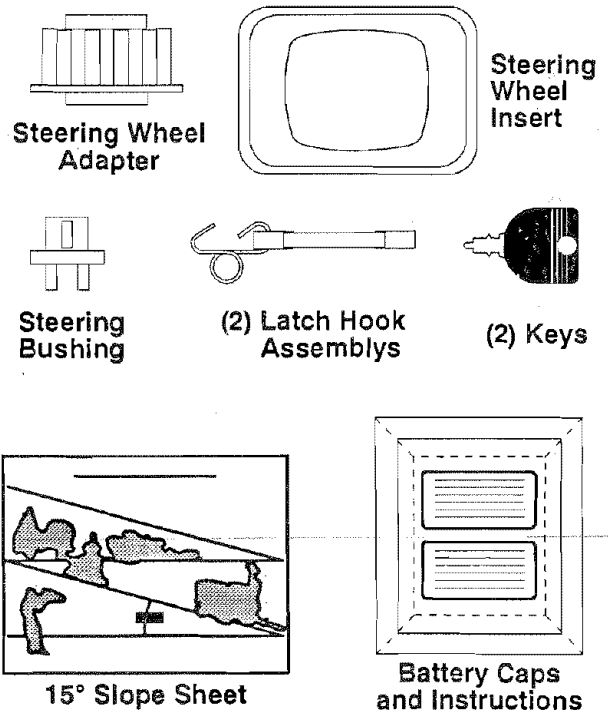
## Parts Bag contents shown full size



## Parts packed separately in carton



## Parts bag contents not shown full size



# ASSEMBLY

Your new tractor has been assembled at the factory with exception of those parts left unassembled for shipping purposes. To ensure safe and proper operation of your tractor all parts and hardware you assemble must be tightened securely. Use the correct tools as necessary to insure their proper tightness.

## TOOLS REQUIRED FOR ASSEMBLY

A socket wrench set will make assembly easier. Standard wrench sizes are listed.

- |                    |                      |
|--------------------|----------------------|
| (1) 5/16" wrench   | Tire pressure gauge  |
| (2) 7/16" wrenches | Phillips Screwdriver |
| (1) 1/2" wrench    | Utility knife        |
| (1) 9/16" wrench   |                      |
| (1) 3/4" wrench    |                      |

When right and left hand is mentioned in this manual, it means when you are in the operating position (seated behind the steering wheel).

## TO REMOVE UNIT FROM CARTON UNPACK CARTON

- Remove all accessible loose parts and parts cartons from carton (See page 6).
- Cut along dotted lines on carton, from top to bottom, all four corners of carton and lay panels flat.
- Check for any additional loose parts or cartons and remove.

## BEFORE ROLLING UNIT OFF SKID

### ATTACH STEERING WHEEL (See Fig. 1)

- Slide the steering bushing over the steering shaft.
- Raise steering shaft forward until screw holes in dash line up with steering bushing. Install two (2) sheet metal screws and tighten securely.
- Position steering boot over steering shaft.
- Align tabs of steering boot over slots and hole in dash and push down to secure.
- Slide steering wheel adapter onto upper steering shaft.
- Position front wheels of the tractor so they are pointing straight forward.
- Position steering wheel so cross bars are horizontal (left to right) and slide onto adapter.
- Assemble large flat washer and 3/8-24 hex locknut and tighten securely.
- Snap insert into center of steering wheel.
- Remove protective plastic from tractor hood and grill.

**IMPORTANT: CHECK FOR AND REMOVE ANY STAPLES IN SKID THAT MAY PUNCTURE TIRES WHERE UNIT IS TO ROLL OFF SKID.**

(See Fig. 8)

- Raise attachment lift lever to its highest position.
- Release parking brake by depressing clutch/brake pedal.
- Place gearshift lever in "NEUTRAL" position.
- Roll unit backwards off skid.
- Remove banding holding discharge guard up against tractor.

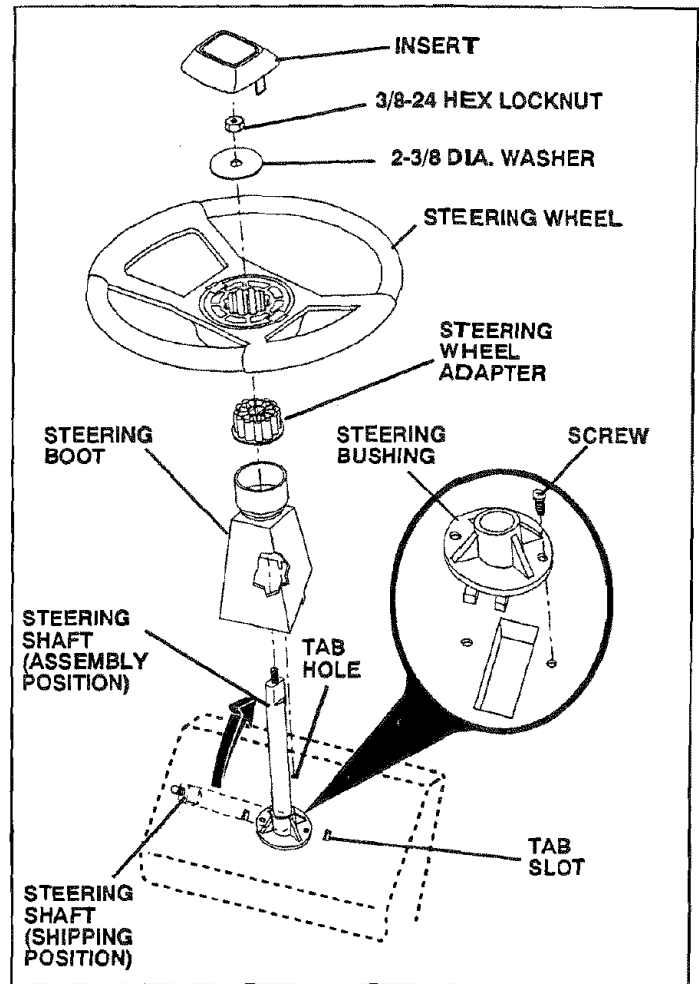


FIG. 1

# ASSEMBLY

## HOW TO SET UP YOUR TRACTOR

### PREPARE BATTERY (See Fig. 2)

**CAUTION: Wear eye and face shield.**

Wash hands or clothing immediately if accidentally in contact with battery acid.

Do not smoke. Fumes from charged battery acid are explosive.

Read the instructions included with the battery vent caps. Always wear gloves, clothing and goggles to protect your hands, skin and eyes.



Your unit has a battery charging system which is sufficient for normal use. However, periodic charging of the battery with an automotive charger will extend its life.

- See instructions packed with vent caps in parts bag.
- Fill battery with acid. Fill each cell until it reaches the bottom of the vent wells. Do not overfill.
- Allow battery to stand and settle for at least thirty minutes. After standing, check the level of acid. If below the vent wells, add more acid until the correct level is reached.

While battery is standing (after adding acid) and later, while battery is being charged, continue with assembly of unit.

**IMPORTANT:** TO MAXIMIZE THE LIFE OF YOUR BATTERY, IT IS NECESSARY THAT THE BATTERY BE CHARGED BEFORE USE. FAILURE TO CHARGE BATTERY CAN RESULT IN A SHORTENED BATTERY LIFE.

- Charge battery at a rate of 6 amperes for 1 hour. Use a 12 volt battery charger. Observe all safety precautions required for battery charging.
- Check the acid level after the battery is charged. If the acid has fallen below the correct level, add distilled or iron free water.
- Install the vent caps to cover the vent wells. Wash the top of the battery with water to remove any acid, then wipe dry.
- Check battery case for leakage to make sure that no damage has occurred in handling.
- Dispose of excess battery acid. Neutralize acid for disposal by adding it to four inches of water in a five gallon plastic container. Stir with a wooden or plastic paddle while adding baking soda until the addition of more soda causes no more foaming.
- Follow instructions on how to install battery.

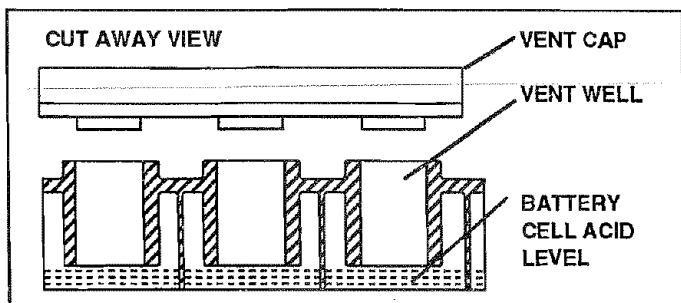


FIG. 2

### INSTALL SEAT (See Fig. 3)

Adjust seat before tightening adjustment bolt.

- Remove cardboard packing on seat pan.
- Place seat on pan and assemble shoulder bolt.
- Assemble adjustment bolt, lock washer and flat washer loosely. Do not tighten.
- Tighten shoulder bolt securely.
- Lower seat into operating position and sit on seat.
- Slide seat until a comfortable position is reached which allows you to press clutch/brake pedal all the way down (See Fig. 8).
- Get off seat without moving its adjusted position.
- Raise seat and tighten adjustment bolt securely.

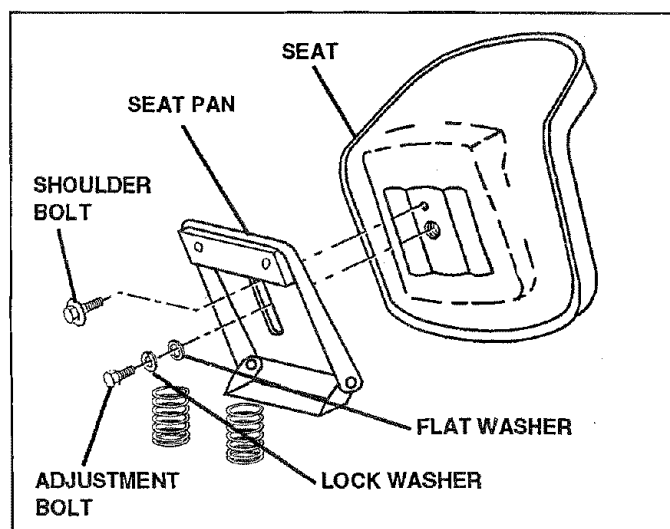


FIG. 3

### CHECK TIRE PRESSURE

The tires on your unit were overinflated at the factory for shipping purposes. Correct tire pressure is important for best cutting performance.

- Reduce tire pressure to PSI shown in "PRODUCT SPECIFICATIONS" on page 3 of this manual.

### CHECK DECK LEVELNESS

For best cutting results, mower housing should be properly leveled. See "TO LEVEL MOWER HOUSING" in the Service and Adjustments section of this manual.

### CHECK FOR PROPER POSITION OF ALL BELTS

See the figures that are shown for replacing motion and mower blade drive belts in the Service and Adjustments section of this manual. Verify that the belts are routed correctly.

### CHECK BRAKE SYSTEM

After you learn how to operate your tractor, check to see that the brake is properly adjusted. See "TO ADJUST BRAKE" in the Service and Adjustments section of this manual.



# ASSEMBLY

## INSTALL BATTERY (See Figs. 4 & 5)



**CAUTION:** Do not short battery terminals. Before installing battery, remove metal bracelets, wristwatch bands, rings, etc.

Positive terminal must be connected first to prevent sparking from accidental grounding.

- Lift seat to raised position.
- Open battery box door.
- Lower battery into battery box with battery terminals toward front of unit.
- Be sure battery drain tube is attached to battery box.
- First connect RED battery cable to positive (+) battery terminal with hex bolt, flat washer, lock washer and hex nut as shown. Tighten securely.
- Connect BLACK grounding cable to negative (-) battery terminal with remaining hex bolt, flat washer, lock washer and hex nut. Tighten securely.
- Close battery box door.

Open battery box door for:

- Inspection for secure connections (to tighten hardware).
- Inspection for corrosion.
- Testing battery.
- Jumping (if required).
- Periodic charging .

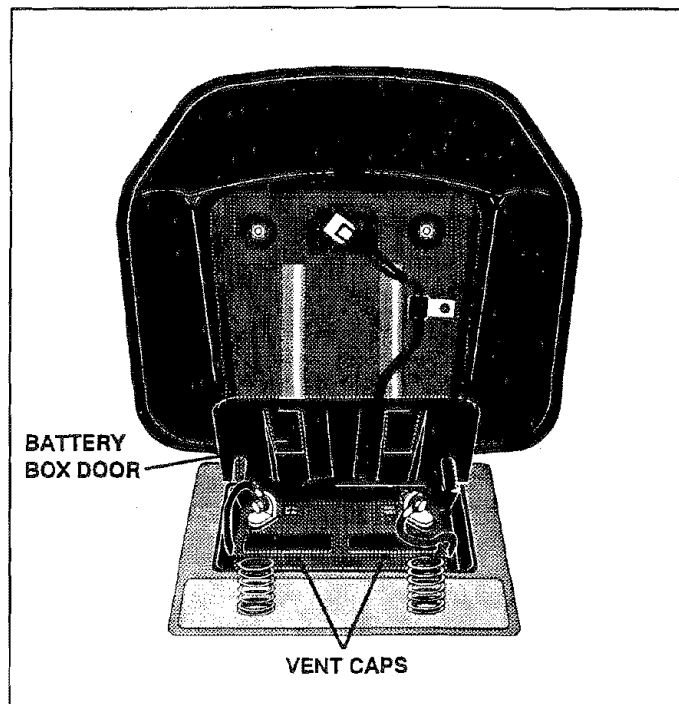


FIG. 5

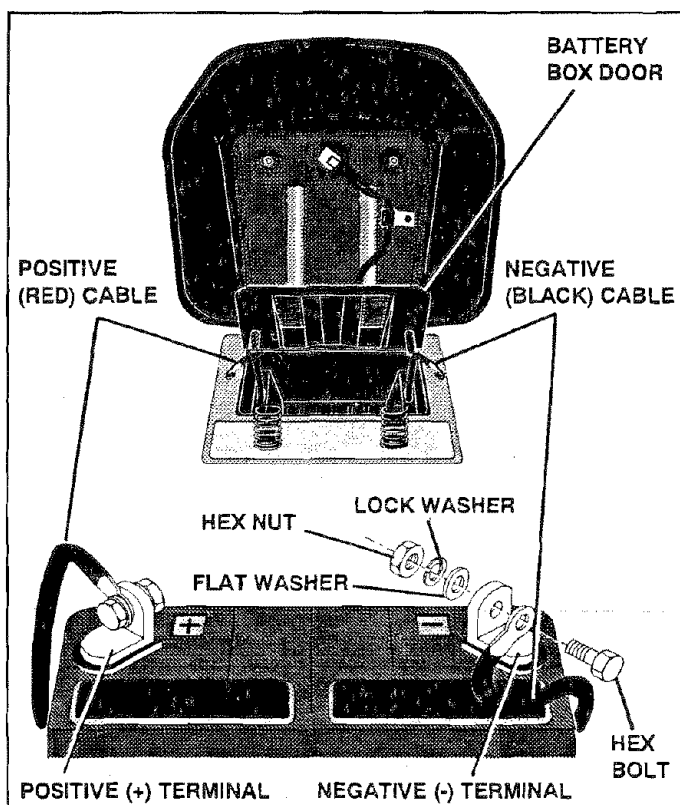


FIG. 4

# ASSEMBLY

## INSTALL MULCHER PLATE

(See Figs. 6 & 7)

- Install two latch hooks, to mulcher plate using screw, washer, lock washer, and weld nut as shown.  
**NOTE:** Pre-assemble weld nut to latch hook by inserting weld nut from the top with hook pointing down.
- Tighten hardware securely.
- Raise and hold deflector shield in upright position.
- Place front of mulcher plate over front of mower deck opening and slide into place, as shown.
- Hook front latch into hole on front of mower deck.
- Hook rear latch into hole on back of mower deck.



**CAUTION:** Do not remove discharge guard from mower. Raise and hold guard when attaching mulcher plate and allow it to rest on plate while in operation.

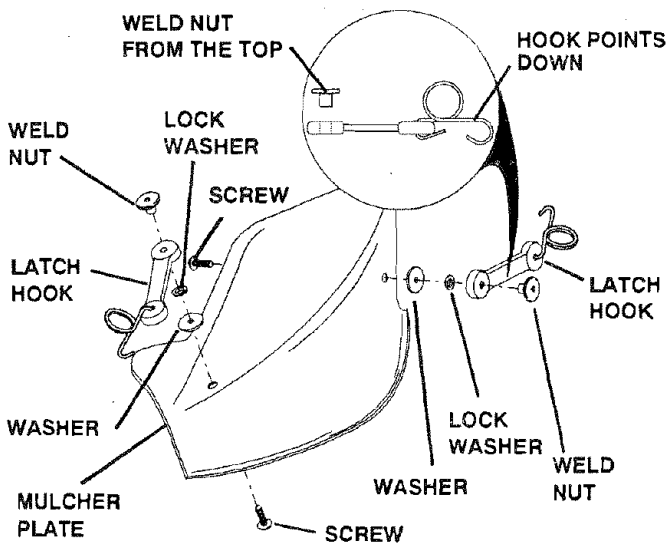


FIG. 6

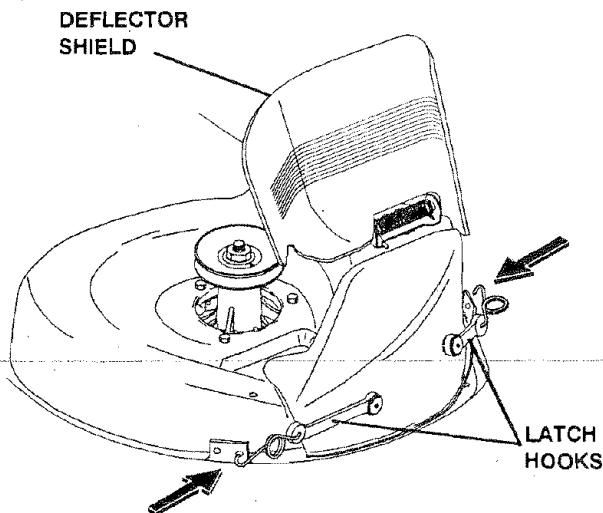


FIG. 7

## TO CONVERT TO BAGGING OR DISCHARGING

Simply remove mulcher plate and store in a safe place. Your mower is now ready for discharging or installation of optional grass catcher accessory.

## ✓ CHECKLIST

*BEFORE YOU OPERATE AND ENJOY YOUR NEW TRACTOR, WE WISH TO ASSURE THAT YOU RECEIVE THE BEST PERFORMANCE AND SATISFACTION FROM THIS QUALITY PRODUCT.*

*PLEASE REVIEW THE FOLLOWING CHECKLIST:*

- ✓ All assembly instructions have been completed.
- ✓ No remaining loose parts in carton.
- ✓ Battery is properly prepared and charged. (Minimum 1 hour at 6 amps).
- ✓ Seat is adjusted comfortably and tightened securely.
- ✓ All tires are properly inflated. (For shipping purposes, the tires were overinflated at the factory).
- ✓ Be sure mower deck is properly leveled side-to-side/ front-to-rear for best cutting results. (Tires must be properly inflated for leveling).
- ✓ Check mower and drive belts. Be sure they are routed properly around pulleys and inside all belt keepers.
- ✓ Check wiring. See that all connections are still secure and wires are properly clamped.

*WHILE LEARNING HOW TO USE YOUR TRACTOR, PAY EXTRA ATTENTION TO THE FOLLOWING IMPORTANT ITEMS:*

- ✓ Engine oil is at proper level.
- ✓ Fuel tank is filled with fresh, clean, regular unleaded gasoline.
- ✓ Become familiar with all controls - their location and function. Operate them before you start the engine.
- ✓ Be sure brake system is in safe operating condition.

# OPERATION

## KNOW YOUR TRACTOR

### READ THIS OWNER'S MANUAL AND SAFETY RULES BEFORE OPERATING YOUR TRACTOR

Compare the illustrations with your tractor to familiarize yourself with the locations of various controls and adjustments. Save this manual for future reference.

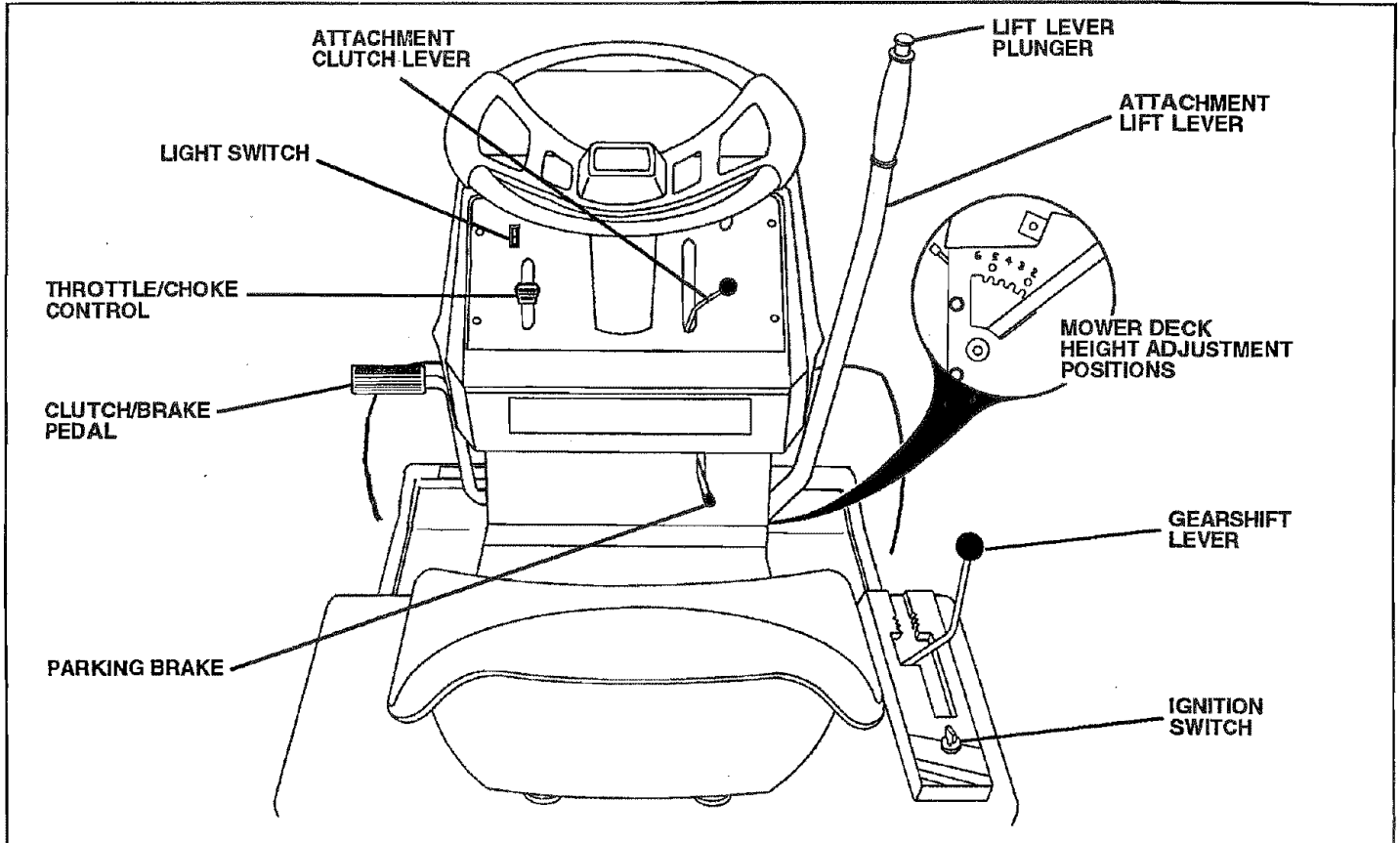


FIG. 8

Sears tractors conform to the safety standards of the American National Standards Institute.

**ATTACHMENT CLUTCH LEVER:** Used to engage the mower blades, or other attachments mounted to your tractor.

**LIGHT SWITCH:** Turns the headlights on and off.

**THROTTLE/CHOKE CONTROL:** Used for starting and controlling engine speed.

**CLUTCH/BRAKE PEDAL:** Used for declutching and braking the tractor and starting the engine.

**PARKING BRAKE:** Locks clutch/brake pedal into the brake position.

**GEARSHIFT LEVER:** Selects the speed and direction of tractor.

**ATTACHMENT LIFT LEVER:** Used to raise, lower, and adjust the mower deck or other attachments mounted to your tractor.

**LIFT LEVER PLUNGER:** Used to release attachment lift lever when changing its position.

**IGNITION SWITCH:** Used for starting and stopping the engine.

# OPERATION



The operation of any tractor can result in foreign objects thrown into the eyes, which can result in severe eye damage. Always wear safety glasses or eye shields while operating your tractor or performing any adjustments or repairs. We recommend wide vision safety mask for over the spectacles or standard safety glasses, available at Sears Retail or Catalog stores.

## HOW TO USE YOUR TRACTOR TO SET PARKING BRAKE (See Fig. 9)

- Depress clutch/brake pedal into full "BRAKE" position and hold.
- Place parking brake lever in "ENGAGED" position and release pressure from clutch/brake pedal. Pedal should remain in "BRAKE" position. Make sure parking brake will hold vehicle secure.

**NOTE:** Under certain conditions when unit is standing idle with the engine running, hot engine exhaust gases may cause "browning" of grass. To eliminate this possibility, always stop engine when stopping unit on grass areas.



**CAUTION:** Always stop unit completely, as described above, before leaving the operator's position; to empty grass catcher, etc.

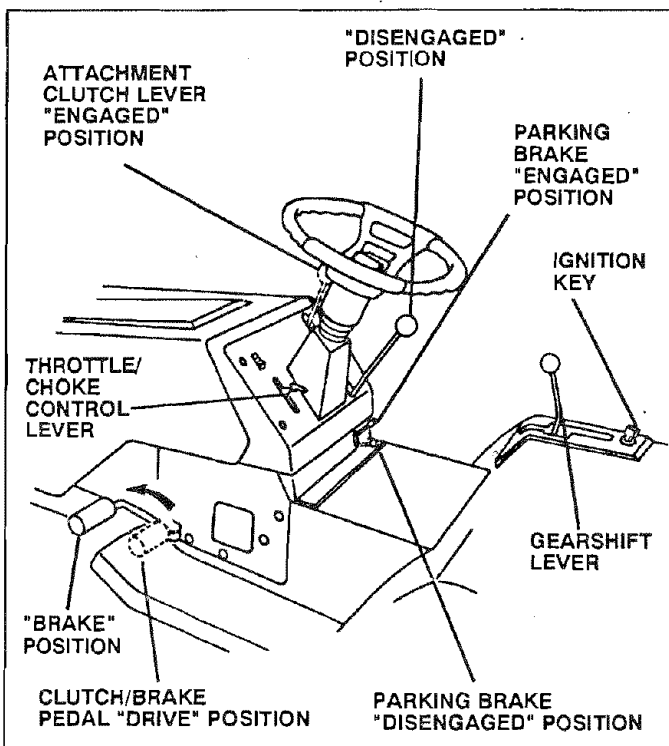


FIG. 9

## STOPPING (See Fig. 9)

### MOWER BLADES -

- Move attachment clutch lever to "DISENGAGED" position.

### GROUND DRIVE -

- Depress clutch/brake pedal into full "BRAKE" position.
- Move gearshift lever to "NEUTRAL" position.

### ENGINE -

- Move throttle control to "SLOW" position.

**NOTE:** Failure to move throttle control to "SLOW" position and allowing engine to idle before stopping may cause engine to "backfire".

- Turn ignition key to "OFF" position and remove key. Always remove key when leaving vehicle to prevent unauthorized use.
- Never use choke to stop engine.

## TO USE THROTTLE CONTROL (See Fig. 9)

Always operate engine at full throttle.

- Operating engine at less than full throttle reduces the battery charging rate.
- Full throttle offers the best bagging and mower performance.

## TO MOVE FORWARD AND BACKWARD (See Fig. 9)

The direction and speed of movement is controlled by the gearshift lever.

- Start tractor with clutch/brake pedal depressed and gearshift lever in "NEUTRAL" position.
- Move gearshift lever to desired position.
- Slowly release clutch/brake pedal to start movement.

**IMPORTANT:** BRING TRACTOR TO A COMPLETE STOP BEFORE SHIFTING OR CHANGING GEARS. FAILURE TO DO SO WILL SHORTEN THE USEFUL LIFE OF YOUR TRANSAXLE.

## TO ADJUST MOWER CUTTING HEIGHT (See Fig. 8)

The position of the attachment lift lever determines the cutting height.

- Grasp lift lever.
- Press plunger with thumb and move lever to desired position.

The cutting height range is approximately 1-1/2 to 4". The heights are measured from the ground to the blade tip with the engine not running. These heights are approximate and may vary depending upon soil conditions, height of grass and types of grass being mowed.

- The average lawn should be cut approximately 2-1/2 inches during the cool season and over 3 inches during hot months. For healthier and better looking lawns, mow often and after moderate growth.
- For best cutting performance, grass over 6 inches in height should be mowed twice. Make the first cut relatively high; the second to desired height.

# OPERATION

## TO OPERATE MOWER (See Fig. 10)

Your unit is equipped with an operator presence sensing switch. Any attempt by the operator to leave the seat with the engine running and the attachment clutch engaged will shut off the engine.

- Select desired height of cut.
- Engage mower by slowly moving attachment clutch lever to "ENGAGED" position.
- TO STOP MOWER - Move attachment clutch lever to "DISENGAGED" position.



**CAUTION:** Do not operate the mower without either the entire grass catcher, on mowers so equipped, mulcher plate, or the discharge guard in place.

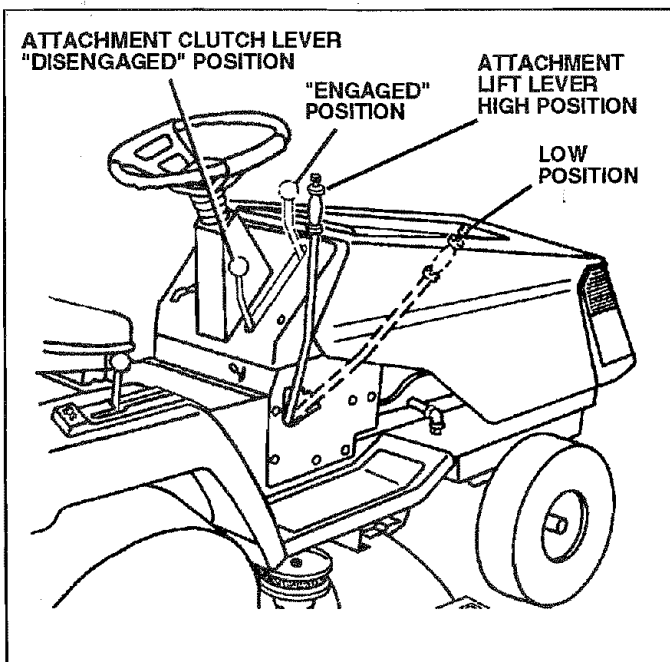


FIG. 10

## TO OPERATE ON HILLS



**CAUTION:** Do not drive up or down hills with slopes greater than 15° and do not drive across any slope.

- Choose the slowest speed before starting up or down hills.
- Avoid stopping or changing speed on hills.
- If slowing is necessary, move throttle control lever to slower position.
- If stopping is absolutely necessary, push clutch/brake pedal quickly to brake position and engage parking brake.
- Move gearshift lever to 1st gear and be sure you have allowed room for tractor to roll slightly as you restart movement.

- To restart movement, slowly release parking brake and clutch/brake pedal.
- Make all turns slowly.

## TO TRANSPORT

- Raise attachment lift control to highest position.
- When pushing or towing your unit, be sure gearshift lever is in "NEUTRAL" position.
- Do not push or tow unit at more than five (5) MPH.

## BEFORE STARTING THE ENGINE

### CHECK ENGINE OIL LEVEL (See Fig. 16)

- The engine in your unit has been shipped, from the factory, already filled with summer weight oil.
- Check engine oil with unit on level ground.
- Remove oil fill dipstick and wipe clean, replace and screw cap tight, wait for a few seconds, remove and read oil level. If necessary, add oil until "FULL" mark on dipstick is reached. Do not overfill.
- For cold weather operation you should change oil for easier starting (see "OIL VISCOSITY CHART" in the Customer Responsibilities section of this manual).
- To change engine oil, see the Customer Responsibilities section in this manual.

### ADD GASOLINE

- Fill fuel tank. Use fresh, clean, regular unleaded gasoline. (Use of leaded gasoline will increase carbon and lead oxide deposits and reduce valve life).

**IMPORTANT:** WHEN OPERATING IN TEMPERATURES BELOW 32°F (0°C), USE FRESH, CLEAN WINTER GRADE GASOLINE TO HELP INSURE GOOD COLD WEATHER STARTING.

**WARNING:** Experience indicates that alcohol blended fuels (called gasohol or using ethanol or methanol) can attract moisture which leads to separation and formation of acids during storage. Acidic gas can damage the fuel system of an engine while in storage. To avoid engine problems, the fuel system should be emptied before storage of 30 days or longer. Drain the gas tank, start the engine and let it run until the fuel lines and carburetor are empty. Use fresh fuel next season. See Storage Instructions for additional information. Never use engine or carburetor cleaner products in the fuel tank or permanent damage may occur.



**CAUTION:** Fill to bottom of gas tank filler neck. Do not overfill. Wipe off any spilled oil or fuel. Do not store, spill or use gasoline near an open flame.

# OPERATION

## TO START ENGINE (See Fig. 9)

When starting engine for the first time or if engine has run out of fuel, it will take extra cranking time to move fuel from the tank to the engine.

- Depress the clutch/brake pedal and set the parking brake.
- Place gearshift lever in "NEUTRAL" position.
- Move attachment clutch to "DISENGAGED" position.
- Move throttle control lever to "CHOKE" position for cold engine start. For warm engine start, move throttle control to "FAST" position.
- Turn ignition key clockwise to "START" position and release key as soon as engine starts. Do not run starter continuously for more than fifteen seconds per minute. If engine does not start after several attempts, move throttle control to "FAST" position, wait a few minutes and try again.
- When engine starts, move throttle control to desired position.
- Allow engine to warm up for a few minutes before engaging drive or attachment clutch.

**NOTE:** If at a high altitude (above 3000 feet) or in cold temperatures (below 32° F), the carburetor fuel mixture may need to be adjusted for best engine performance. See "TO ADJUST CARBURETOR" in the Service and Adjustments section of this manual.

## MOWING TIPS

- Tire chains cannot be used when the mower housing is attached to unit.
- Mower should be properly leveled for best mowing performance. See "TO LEVEL MOWER HOUSING" in the Service and Adjustments section of this manual.
- The left hand side of mower should be used for trimming.
- Drive so that clippings are discharged onto the area that has been cut. Have the cut area to the right of the machine. This will result in a more even distribution of clippings and more uniform cutting.
- When mowing large areas, start by turning to the right so that clippings will discharge away from shrubs, fences, driveways, etc. After one or two rounds, mow in the opposite direction making left hand turns until finished (See Fig. 11).

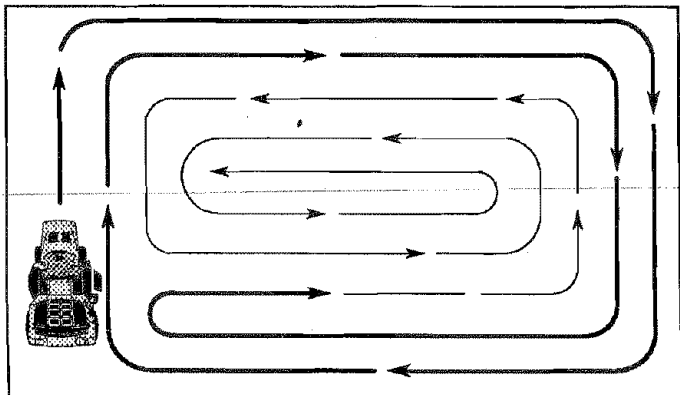


FIG. 11

- If grass is extremely tall, it should be mowed twice to reduce load and possible fire hazard from dried clippings. Make first cut relatively high; the second to the desired height.
- Do not mow grass when it is wet. Wet grass will plug mower and leave undesirable clumps. Allow grass to dry before mowing.
- Always operate engine at full throttle when mowing to assure better mowing performance and proper discharge of material. Regulate ground speed by selecting a low enough gear to give the mower cutting performance as well as the quality of cut desired.
- When operating attachments, select a ground speed that will suit the terrain and give best performance of the attachment being used.

## MULCHING MOWING TIPS

**IMPORTANT:** FOR BEST PERFORMANCE, KEEP MOWER HOUSING FREE OF BUILT-UP GRASS AND TRASH. CLEAN AFTER EACH USE.

- The special mulching blade will recut the grass clippings many times and reduce them in size so that as they fall onto the lawn they will disperse into the grass and not be noticed. Also, the mulched grass will biodegrade quickly to provide nutrients for the lawn. Always mulch with your highest engine (blade) speed as this will provide the best recutting action of the blades.
- Avoid cutting your lawn when it is wet. Wet grass tends to form clumps and interferes with the mulching action. The best time to mow your lawn is the early afternoon. At this time the grass has dried and the newly cut area will not be exposed to the direct sun.
- For best results, adjust the mower cutting height so that the mower cuts off only the top one-third of the grass blades (See Fig. 12). For extremely heavy mulching, reduce your width of cut and mow slowly.

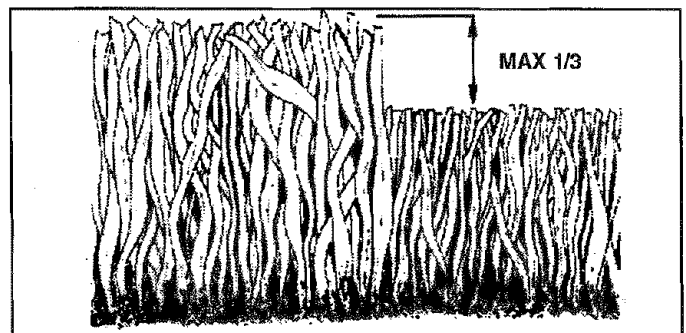


FIG. 12

- Certain types of grass and grass conditions may require that an area be mulched a second time to completely hide the clippings. When doing a second cut, mow across or perpendicular to the first cut path.
- Change your cutting pattern from week to week. Mow north to south one week then change to east to west the next week. This will help prevent matting and graining of the lawn.

# CUSTOMER RESPONSIBILITIES

MAINTENANCE SCHEDULE		SERVICE DATES							
FILL IN DATES AS YOU COMPLETE REGULAR SERVICE		BEFORE EACH USE	FIRST 2 HOURS	EVERY 8 HOURS	EVERY 25 HOURS	EVERY 50 HOURS	EVERY 100 HOURS	EVERY SEASON	BEFORE STORAGE
TRACTOR	Check Brake Operation	✓		✓					
	Check Tire Pressure	✓		✓					
	Check for Loose Fasteners	✓						✓	
	Sharpen/Replace Mower Blades				✓ <sub>4</sub>				
	Lubrication Chart				✓			✓	
	Check Battery Level/Recharge				✓				
	Clean Battery and Terminals				✓			✓	
	Check Transmission Cooling				✓				
	Adjust Blade Belt(s) Tension						✓ <sub>5</sub>		
	Adjust Motion Drive Belt(s) Tension						✓ <sub>5</sub>		
ENGINE	Check Engine Oil Level	✓		✓					
	Change Engine Oil		✓		✓ <sub>1,2,3</sub>			✓	
	Clean Air Filter				✓ <sub>2</sub>				
	Clean Air Screen				✓ <sub>2</sub>				
	Inspect Muffler/Spark Arrester					✓			
	Replace Oil Filter (If equipped)						✓ <sub>1,2</sub>		
	Clean Engine Cooling Fins						✓ <sub>2</sub>		
	Replace Spark Plug						✓	✓	
	Replace Air Filter Paper Cartridge						✓ <sub>2</sub>		
	Replace Fuel Filter							✓	

1 - Change more often when operating under a heavy load or in high ambient temperatures.  
 2 - Service more often when operating in dirty or dusty conditions.

3 - If equipped with oil filter, change oil every 50 hours.  
 4 - Replace blades more often when mowing in sandy soil.  
 5 - If equipped with adjustable system.

## GENERAL RECOMMENDATIONS

The warranty on this tractor does not cover items that have been subjected to operator abuse or negligence. To receive full value from the warranty, operator must maintain tractor as instructed in this manual.

Some adjustments will need to be made periodically to properly maintain your tractor.

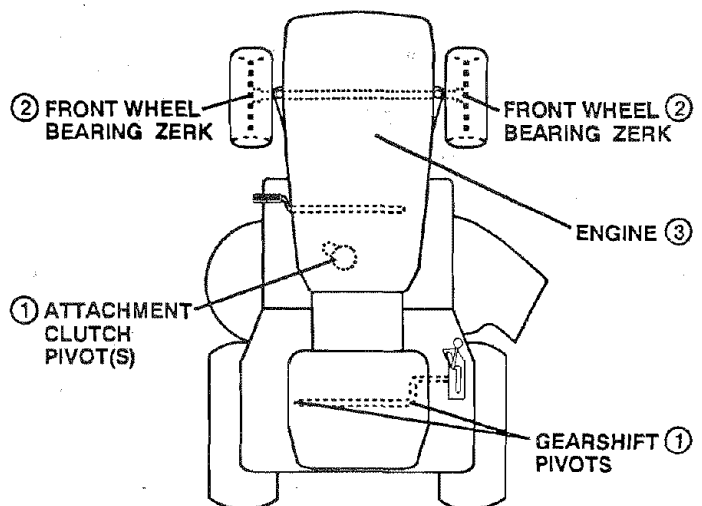
All adjustments in the Service and Adjustments section of this manual should be checked at least once each season.

- Once a year you should replace the spark plug, clean or replace air filter, and check blades and belts for wear. A new spark plug and clean air filter assure proper air-fuel mixture and help your engine run better and last longer.

## BEFORE EACH USE

- Check engine oil level.
- Check brake operation.
- Check tire pressure.
- Check for loose fasteners.

## LUBRICATION CHART



① SAE 30 OR 10W30 MOTOR OIL API - SG

② GENERAL PURPOSE GREASE

③ REFER TO CUSTOMER RESPONSIBILITIES "ENGINE" SECTION

**IMPORTANT: DO NOT OIL OR GREASE THE PIVOT POINTS WHICH HAVE SPECIAL NYLON BEARINGS. VISCOUS LUBRICANTS WILL ATTRACT DUST AND DIRT THAT WILL SHORTEN THE LIFE OF THE SELF-LUBRICATING BEARINGS. IF YOU FEEL THEY MUST BE LUBRICATED, USE ONLY A DRY, POWDERED GRAPHITE TYPE LUBRICANT SPARINGLY.**

# CUSTOMER RESPONSIBILITIES

## TRACTOR

Always observe safety rules when performing any maintenance.

## BRAKE OPERATION

If unit requires more than six (6) feet stopping distance at high speed in highest gear, than brake must be adjusted. (See "TO ADJUST BRAKE" in Service and Adjustments section of this manual).

## TIRES

- Maintain proper air pressure in all tires (See "PRODUCT SPECIFICATIONS" on page 3 of this manual).
- Keep tires free of gasoline, oil, or insect control chemicals which can harm rubber.
- Avoid stumps, stones, deep ruts, sharp objects and other hazards that may cause tire damage.

## BLADE CARE

For best results mower blades must be kept sharp. The blades can be sharpened with a file or on a grinding wheel. We suggest they be sharpened or replaced after every 25 hours of mowing. Check blades more often if mowing in sandy conditions.

- Do not attempt to sharpen blades while they are on the mower.
- Replace bent or damaged blades.

## BLADE REMOVAL (See Fig. 13)

- Raise mower to highest position to allow access to blades.
- Remove hex bolt, lock washer and flat washer securing blade.
- Install new or resharpened blade with trailing edge up towards deck as shown.
- Reassemble hex bolt, lock washer and flat washer in exact order as shown.
- Tighten bolt securely (30-35 Ft. Lbs. torque).

**IMPORTANT:** BLADE BOLT IS GRADE 8 HEAT TREATED.

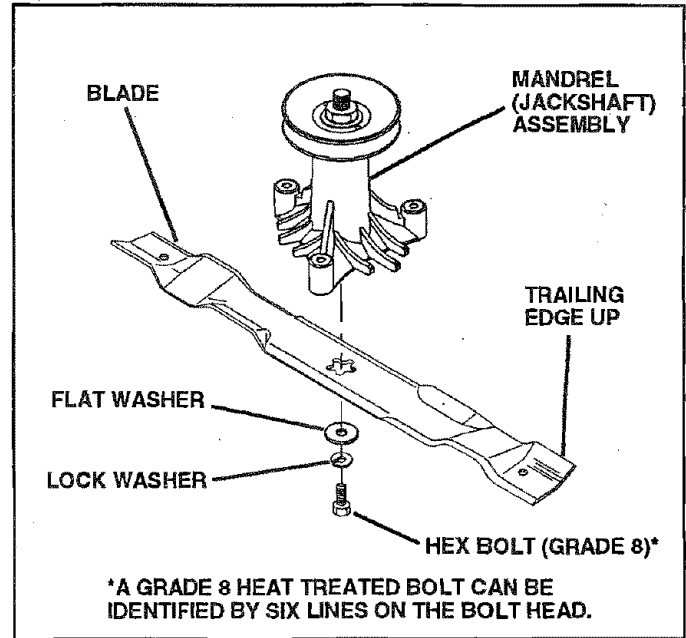


FIG. 13

## TO SHARPEN BLADE (See Fig. 14)

Care should be taken to keep the blade balanced. An unbalanced blade will cause excessive vibration and eventual damage to mower and engine.

- The blade can be sharpened with a file or on a grinding wheel. Do not attempt to sharpen while on the mower.
- To check blade balance, you will need a 5/8" diameter steel bolt, pin, or a cone balancer. (When using a cone balancer, follow the instructions supplied with balancer).
- Slide blade on to an unthreaded portion of the steel bolt or pin and hold the bolt or pin parallel with the ground. If blade is balanced, it should remain in a horizontal position. If either end of the blade moves downward, sharpen the heavy end until the blade is balanced.

**NOTE:** Do not use a nail for balancing blade. The lobes of the center hole may appear to be centered, but are not.

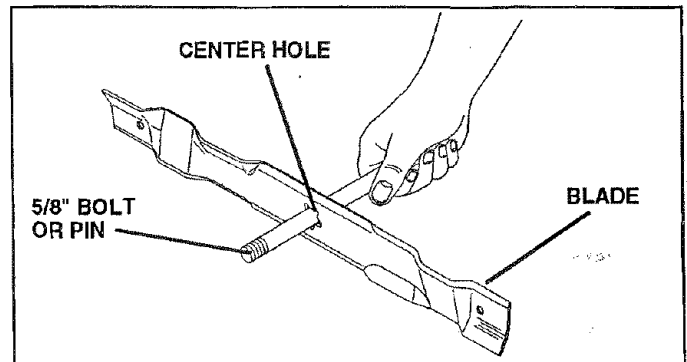


FIG. 14



# CUSTOMER RESPONSIBILITIES

## BATTERY (See Fig. 15)

Your unit has a battery charging system which is sufficient for normal use. However, periodic charging of the battery with an automotive charger will extend its life.

- Acid solution level in each battery cell should be even with bottoms of vent wells. Add only distilled or iron free water if necessary. Do not overfill.

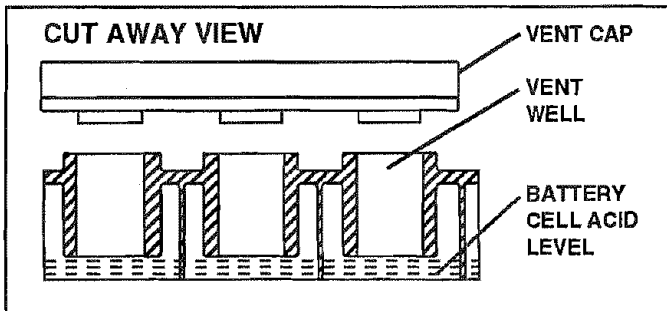


FIG. 15

- Keep battery and terminals clean.
- Keep battery bolts tight.
- Keep vent caps tight and small vent holes in caps open.
- Recharge at 6 amperes for 1 hour.

### TO CLEAN BATTERY AND TERMINALS -

Corrosion and dirt on the battery and terminals can cause the battery to "leak" power.

- Remove terminal guard.
- Disconnect BLACK battery cable first then RED battery cable and remove battery from tractor.
- Wash battery with solution of four tablespoons of baking soda to one gallon of water. Be careful not to get the soda solution into the cells.
- Rinse the battery with plain water and dry.
- Clean terminals and battery cable ends with wire brush until bright.
- Coat terminals with grease or petroleum jelly.
- Reinstall battery (See "INSTALL BATTERY" in the Assembly section of this manual).

## V-BELTS

Check V-belts for deterioration and wear after 100 hours and replace if necessary. The belts are not adjustable. Replace belts if they begin to slip from wear.

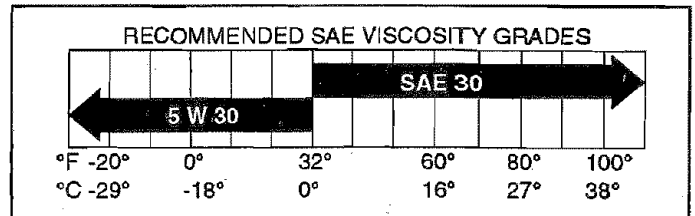
## TRANSAXLE COOLING

Keep transaxle free from build-up of dirt and chaff which can restrict cooling.

## ENGINE

### LUBRICATION

Only use high quality detergent oil rated with API service classification SG. Select the oil's SAE viscosity grade according to your expected operating temperature.



**NOTE:** Although multi-viscosity oils (5W30, 10W30 etc.) improve starting in cold weather, these multi-viscosity oils will result in increased oil consumption when used above 32°F. Check your engine oil level more frequently to avoid possible engine damage from running low on oil.

Change the oil after the first two hours of operation and every 25 hours thereafter or at least once a year if the tractor is not used for 25 hours in one year.

Check the crankcase oil level before starting the engine and after each eight (8) hours of continuous use. Tighten oil fill cap/dipstick securely each time you check the oil level.

### TO CHANGE ENGINE OIL (See Fig. 16)

- Be sure vehicle is on level surface.
- Oil will drain more freely when warm.
- Catch oil in a suitable container.
- Remove oil fill dipstick. Be careful not to allow dirt to enter the engine when changing oil.
- Remove drain plug.
- After oil has drained completely, replace oil drain plug and tighten securely.
- Refill engine with oil through oil fill dipstick tube. Pour slowly. Do not overfill. For approximate capacity see Product Specifications on page 3 of this manual.
- Use gauge on oil fill dipstick for checking level. Be sure dipstick cap is tightened securely for accurate reading. Keep oil at "FULL" line on dipstick.

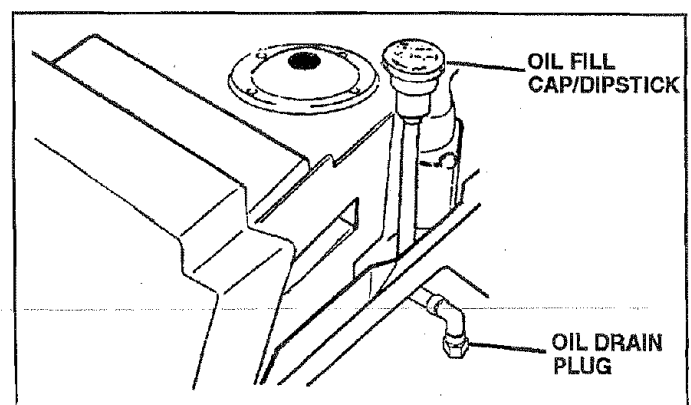


FIG. 16

# CUSTOMER RESPONSIBILITIES

## AIR FILTER FOAM PRE-CLEANER (See Fig. 17)

Your engine will not run properly and may be damaged by using a dirty air filter. Clean the foam pre-cleaner element after every 25 hours of operation, more often if used in very dusty, dirty conditions.

- Remove knob and cover.
- Remove cartridge nut and replace cartridge.
- Reassemble and tighten securely.

**NOTE:** Do not attempt to clean or oil the paper cartridge. Replace paper cartridge once a year or after every 100 hours of operation, more often if used in very dusty, dirty conditions.

- Wash foam pre-cleaner in liquid detergent and water.
- Wrap foam pre-cleaner in cloth and squeeze dry.
- Lightly coat foam pre-cleaner with clean engine oil. Squeeze in towel to remove excess oil. Do not saturate.
- Install foam pre-cleaner over paper cartridge.
- Reassemble cover and secure with knobs.

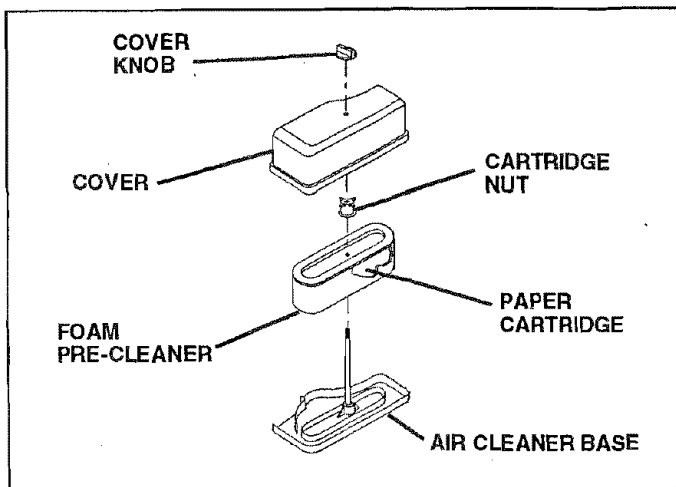


FIG. 17

## AIR SCREEN (See Fig. 18)

The engine air screen must be kept free of dirt and chaff to prevent engine damage from overheating. Clean with a wire brush or compressed air to remove dirt and stubborn dried gum fibers.

## ENGINE COOLING FINS (See Fig. 18)

Remove any dust, dirt or oil from engine cooling fins to prevent engine damage from overheating.

- Remove oil fill dipstick and cover opening to prevent entry of dirt.
- Remove screws from blower housing and lift housing off engine.
- Remove the screws securing the starter housing and lift housing off engine.
- Use compressed air or stiff bristle brush to thoroughly clean engine cooling fins.
- To reassemble, reverse above procedure.

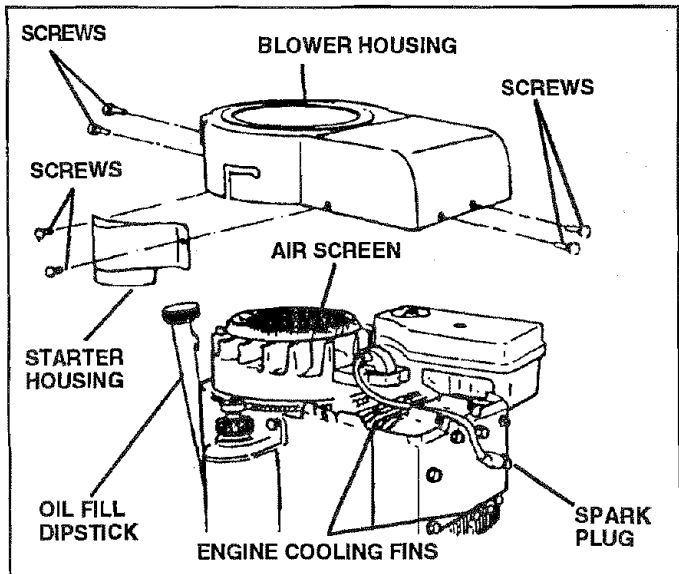


FIG. 18

## MUFFLER

Inspect and replace corroded muffler and spark arrester (if equipped) as it could create a fire hazard and/or damage.

## SPARK PLUGS

Replace spark plugs at the beginning of each mowing season or after every 100 hours of use, whichever comes first. Spark plug type and gap setting is shown in "PRODUCT SPECIFICATIONS" on page 3 of this manual.

## IN-LINE FUEL FILTER (See Fig. 19)

Fuel filter should be replaced once each season. If fuel filter becomes clogged, obstructing fuel flow to carburetor, replacement is required.

- With engine cool, remove filter and plug fuel line sections.
- Place new fuel filter in position in fuel line.
- Be sure there are no fuel line leaks and clamps are properly positioned.
- Immediately wipe up any spilled gasoline.

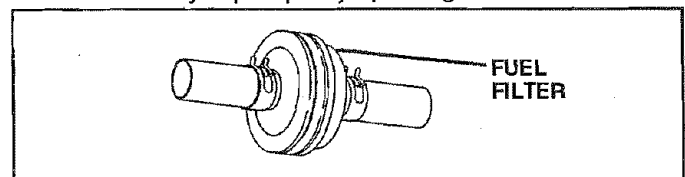


FIG. 19

## CLEANING

**IMPORTANT:** FOR BEST PERFORMANCE, KEEP MOWER HOUSING FREE OF BUILD-UP, GRASS AND TRASH. CLEAN UNDERSIDE OF MOWER HOUSING AFTER EACH USE.

- Clean engine, battery, seat, finish, etc. of all foreign matter.
- Keep finished surfaces and wheels free of all gasoline, oil, etc.
- Protect painted surfaces with automotive type wax.

We do not recommend using a garden hose to clean your unit unless the electrical system, muffler, air filter and carburetor are covered to keep water out. Water in engine can result in a shortened engine life.

# SERVICE AND ADJUSTMENTS

## CAUTION: BEFORE PERFORMING ANY SERVICE OR ADJUSTMENTS:



- Depress clutch/brake pedal fully and set parking brake.
- Place gearshift lever in "NEUTRAL" position.
- Place attachment clutch in "DISENGAGED" position.
- Turn ignition key "OFF" and remove key.
- Make sure the blades and all moving parts have completely stopped.
- Disconnect spark plug wire from spark plug and place wire where it cannot come in contact with plug.

## TRACTOR

### TO REMOVE MOWER (See Fig. 20)

Mower will be easier to remove from the right side of unit.

- Place attachment clutch in "DISENGAGED" position.
- Move attachment lift lever forward to lower mower to its lowest position.
- Roll belt off engine pulley.
- Disconnect clutch rod from clutch lever by removing retainer spring.
- Disconnect suspension arms from rear deck brackets by removing retainer springs.
- Disconnect front links from deck by removing retainer springs.
- Raise lift lever to raise suspension arms. Slide mower out from under tractor.

**IMPORTANT:** IF AN ATTACHMENT OTHER THAN THE MOWER IS TO BE MOUNTED TO THE TRACTOR, BOTH SUSPENSION ARMS MUST BE REMOVED FROM TRACTOR.

### TO INSTALL MOWER (See Fig. 20)

- Raise attachment lift lever to its highest position.
- Slide mower under tractor with discharge guard to right side of tractor.
- Lower lift lever to its lowest position.
- Install mower in reverse order of removal instructions.

**NOTE:** The mower clutch rod has a trunnion that has been preset, at the factory, for optimum mower performance. DO NOT MOVE THE TRUNNION ON THE CLUTCH ROD. If for any reason the trunnion has been moved on the clutch rod, it must be reset to correct position (parallel with clutch rod) and measure 10-11/32" (Check dimension on edge of flat work surface as shown).

Be sure to tighten trunnion nut securely against trunnion after making any adjustments.

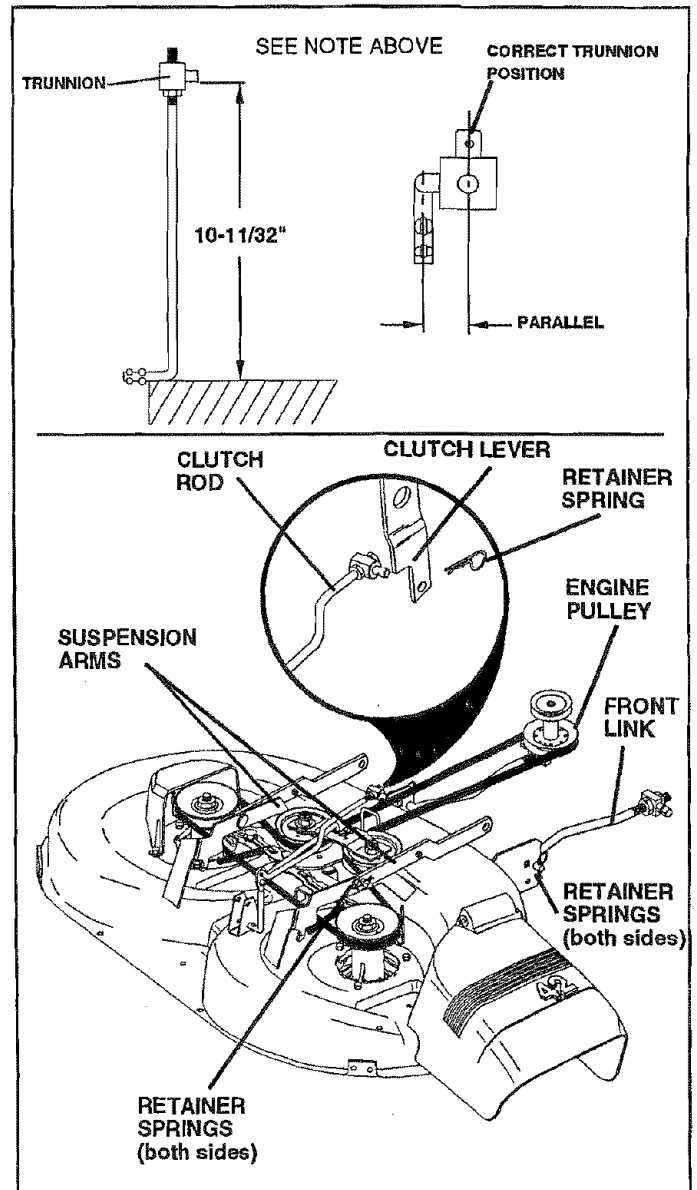


FIG. 20

# SERVICE AND ADJUSTMENTS

## TO LEVEL MOWER HOUSING

Adjust the mower while tractor is parked on level ground or driveway. Make sure tires are properly inflated (See "PRODUCT SPECIFICATIONS" on page 3). If tires are over or under inflated, you will not properly adjust your mower.

You will need two (2) standard 2 x 4 short pieces of wood to make the following adjustment. Similar blocks measuring 1-1/2" thick may also be used.

### SIDE-TO-SIDE ADJUSTMENT (See Figs.21 and 22) -

- Raise mower with attachment lift control to allow two (2) 1-1/2" thick blocks to be placed under rear edge of mower directly behind mandrels.
- Lower mower deck to its lowest height of cut position (See "TO ADJUST MOWER CUTTING HEIGHT" in Operation section of this manual).
- On both sides of tractor, loosen, but do not remove, the fasteners securing the adjustable pivot brackets to frame. Both brackets must be loose enough to move freely.
- Pull down firmly on suspension arm to remove any slack in pivot bracket and hold while tightening rear fastener first to secure. Tighten remaining fastener.
- Repeat procedure on other side of tractor.
- Raise mower with attachment lift control and remove blocks from under mower.

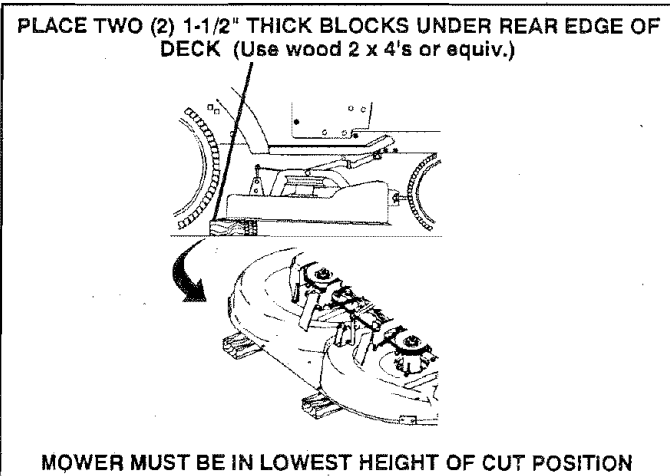


FIG. 21

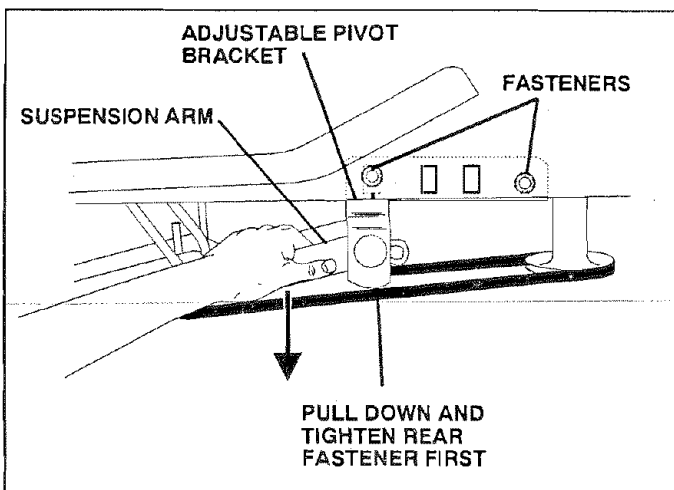


FIG. 22

FRONT-TO-BACK ADJUSTMENT (See Figs. 23 and 24) - **IMPORTANT:** DECK MUST BE LEVEL SIDE-TO-SIDE. IF THE FOLLOWING FRONT-TO-BACK ADJUSTMENT IS NECESSARY, BE SURE TO ADJUST BOTH FRONT LINKS EQUALLY SO MOWER WILL STAY LEVEL SIDE-TO-SIDE.

To obtain the best cutting results, the mower housing should be adjusted so that the front is approximately 1/4" to 3/4" lower than the rear when the mower is in its highest position.

Check adjustment on right side of tractor. Measure distance "D" directly in front and behind the mandrel at bottom edge of mower housing as shown.

- Before making any necessary adjustments, check that both front links are equal in length. Both links should be approximately 10-3/8".
- If links are not equal in length, adjust one link to same length as other link.
- To lower front of mower loosen nut "E" on both front links an equal number of turns.
- When distance "D" is 1/4" to 3/4" lower at front than rear, tighten nuts "F" against trunnion on both front links.
- To raise front of mower, loosen nut "F" from trunnion on both front links. Tighten nut "E" on both front links an equal number of turns.
- When distance "D" is 1/4" to 3/4" lower at front than rear, tighten nut "F" against trunnion on both front links.
- Recheck side-to-side adjustment.

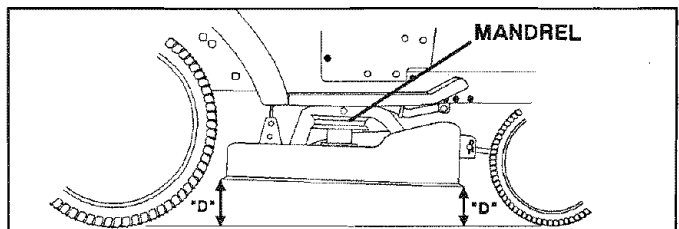


FIG. 23

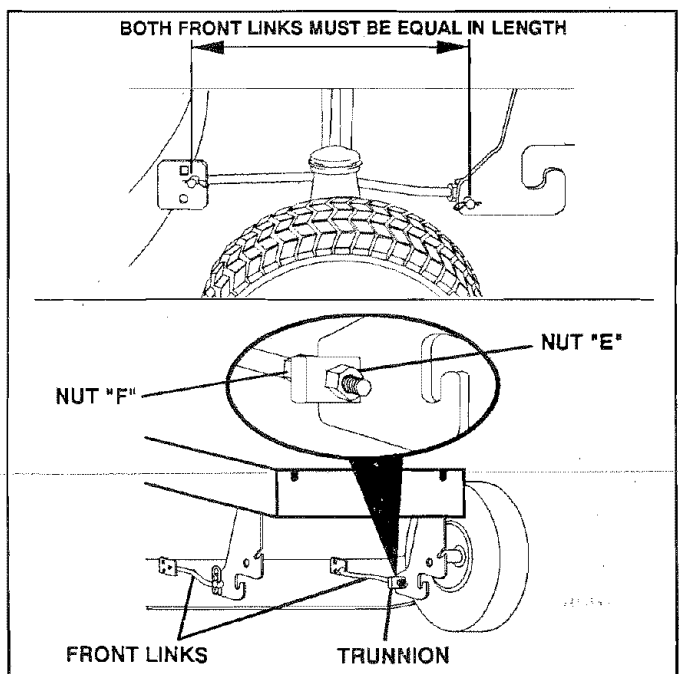


FIG. 24

# SERVICE AND ADJUSTMENTS

## TO REPLACE MOWER BLADE DRIVE BELT (See Fig. 25)

The mower blade drive belt may be replaced without tools. Park the tractor on level surface. Engage parking brake. For assistance, there is a belt installation guide decal on the mower housing.

### BELT REMOVAL -

- Place attachment clutch in "DISENGAGED" position.
- Move attachment lift lever forward to lower mower to its lowest position.
- Roll belt off engine pulley.
- Work belt off both mandrel pulleys and idler pulleys.
- Pull belt away from mower.

### BELT INSTALLATION -

- Install new belt in reverse order of removal.
- Make sure belt is in all pulley grooves and inside all belt guides.

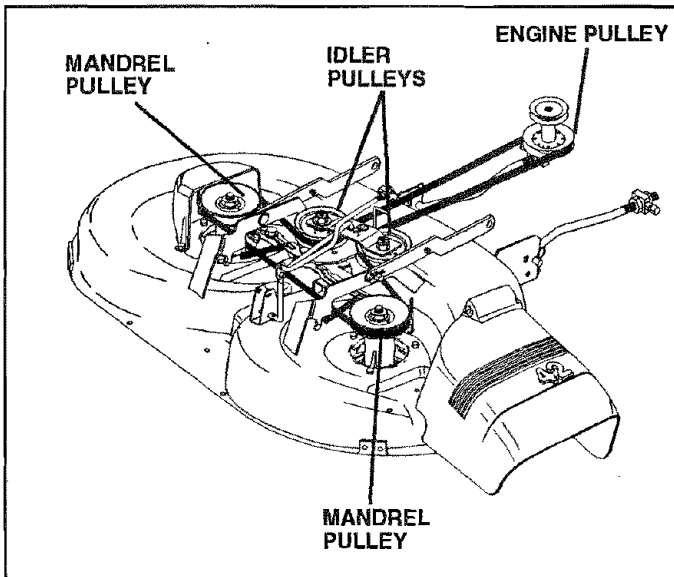


FIG. 25

## TO ADJUST BRAKE (See Fig. 26)

Your unit is equipped with an adjustable brake system which is mounted on the right side of the transaxle.

If unit requires more than six (6) feet stopping distance at high speed in highest gear, then brake must be adjusted.

- Depress clutch/brake pedal and engage parking brake.
- Measure distance between brake operating arm and nut "A" on brake rod.
- If distance is other than 1-1/2", disengage parking brake, loosen jam nut and turn nut "A" until distance becomes 1-1/2". Retighten jam nut against nut "A".
- Engage parking brake and recheck distance.
- Road test unit for proper stopping distance as stated above. Readjust if necessary. If stopping distance is still greater than six (6) feet in highest gear, further maintenance is necessary. Contact your nearest authorized service center.

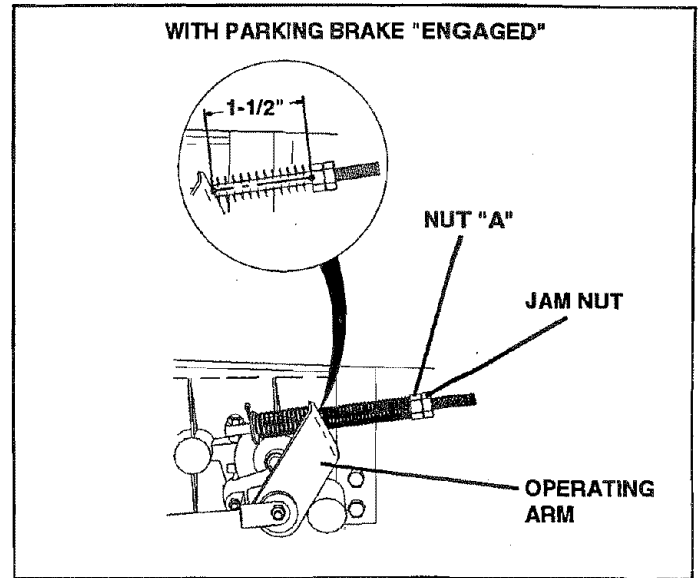


FIG. 26

## TO REPLACE MOTION DRIVE BELT (See Fig. 27)

Park the tractor on level area. Engage parking brake. For assistance, there is a belt installation guide decal on bottom side of left footrest.

- Remove mower (See "TO REMOVE MOWER" in this section of this manual).
- Remove belt from stationary idler and clutching idler.
- Remove belt from engine pulley.
- Roll belt over top of transaxle pulley.
- Install new belt by reversing above procedure.

**IMPORTANT:** REPLACE ONLY WITH BELT LISTED IN THIS MANUAL.

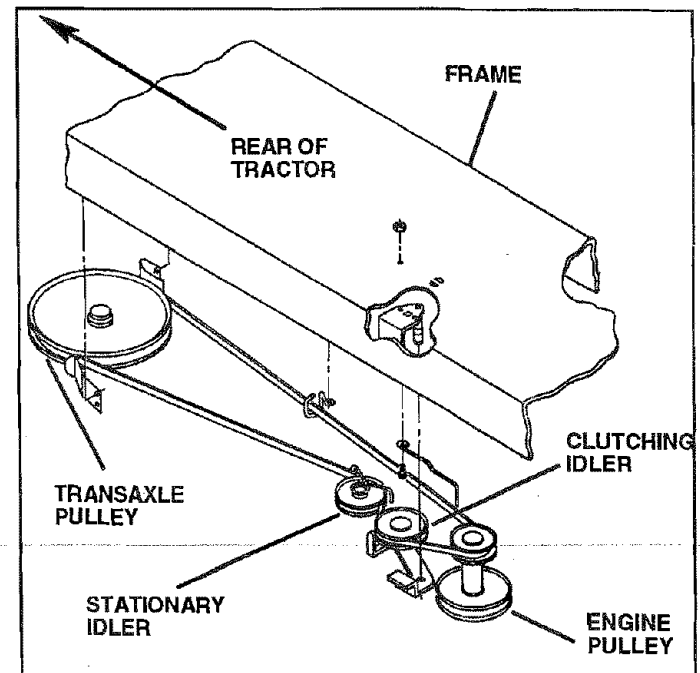


FIG. 27

# SERVICE AND ADJUSTMENTS

## TO ADJUST STEERING WHEEL ALIGNMENT

If steering wheel crossbars are not horizontal (left to right) when wheels are positioned straight forward, remove steering wheel and reassemble per instructions in the Assembly section of this manual.

## FRONT WHEEL TOE-IN/CAMBER

The front wheel toe-in and camber are not adjustable on your tractor. If damage has occurred to affect the front wheel toe-in or camber, contact your nearest authorized service center.

## TO REMOVE WHEEL FOR REPAIRS (See Fig. 28)

- Block up axle securely.
- Remove axle cover, retaining ring and washers to allow wheel removal (rear wheel contains a square key - Do not lose).
- Repair tire and reassemble.
- On rear wheels only: align grooves in rear wheel hub and axle. Insert square key.
- Replace washers and snap retaining ring securely in axle groove.
- Replace axle cover.

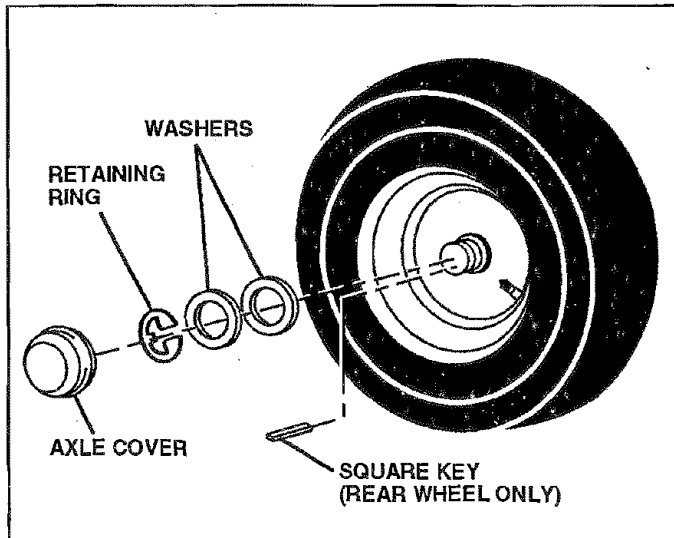


FIG. 28

## TO START ENGINE WITH A WEAK BATTERY (See Fig. 29)



**CAUTION:** Lead-acid batteries generate explosive gases. Keep sparks, flame and smoking materials away from batteries. Always wear eye protection when around batteries.

If your battery is too weak to start the engine, it should be recharged. If "jumper cables" are used for emergency starting, follow this procedure:

**IMPORTANT:** YOUR UNIT IS EQUIPPED WITH A 12 VOLT NEGATIVE GROUNDING SYSTEM. THE OTHER VEHICLE MUST ALSO BE A 12 VOLT NEGATIVE GROUNDING SYSTEM. DO NOT USE YOUR TRACTOR BATTERY TO START OTHER VEHICLES.

### TO ATTACH JUMPER CABLES -

- Connect each end of the RED cable to the POSITIVE (+) terminal of each battery, taking care not to short against chassis.
- Connect one end of the BLACK cable to the NEGATIVE (-) terminal of fully charged battery.
- Connect the other end of the BLACK cable to a good CHASSIS GROUND, away from fuel tank and battery.

### TO REMOVE CABLES, REVERSE ORDER -

- BLACK cable first from chassis and fully charged battery.
- RED cable last from both batteries.

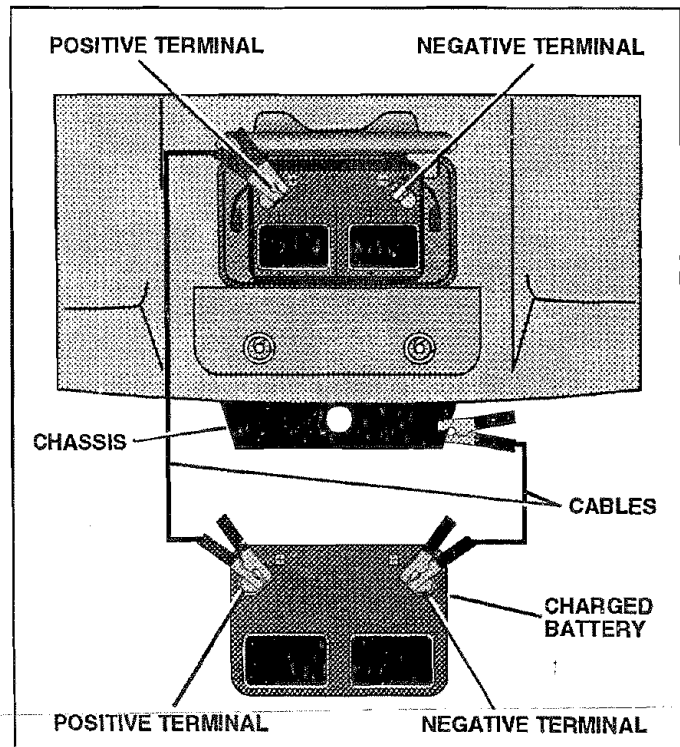


FIG. 29

# SERVICE AND ADJUSTMENTS

## TO REPLACE FUSE (See Fig. 30)

Replace with 30 amp automotive-type plug-in fuse. The fuse holder is located in the engine compartment, directly in front of the dash.

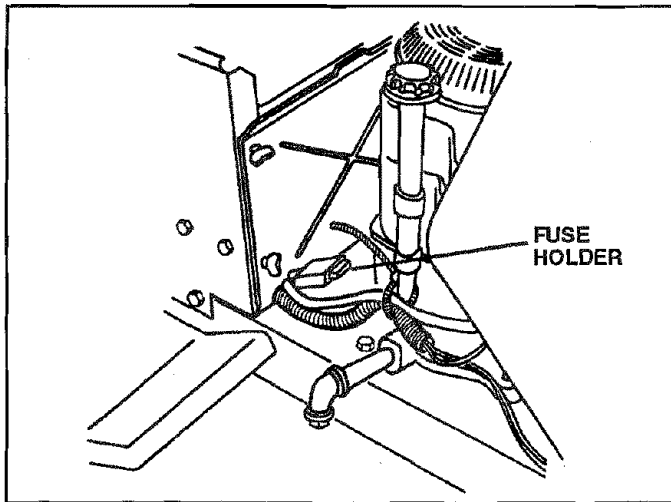


FIG. 30

## TO REPLACE HEADLIGHT BULB

- Raise hood.
- Pull bulb holder out of the hole in the backside of the grill.
- Replace bulb in holder and push bulb holder securely back into the hole in the backside of the grill.
- Close hood.

## INTERLOCKS AND RELAYS

Loose or damaged wiring may cause your tractor to run poorly, stop running or prevent it from starting.

- Check wiring. See electrical wiring diagram in Repair Parts section of this manual.

## TO REMOVE HOOD AND GRILL (See Fig. 31)



**CAUTION:** Muffler is hot. Be careful when removing retainer springs from hood pivot brackets.

- Raise hood.
- Unsnap headlight wire connector.
- Remove retainer springs from hood pivot brackets.
- Stand in front of tractor. Grasp hood at sides, tilt forward and lift off of tractor.
- To reinstall, slide hood pivot brackets into slots in frame. Replace retainer springs.
- Reconnect headlight wire connector and close hood.

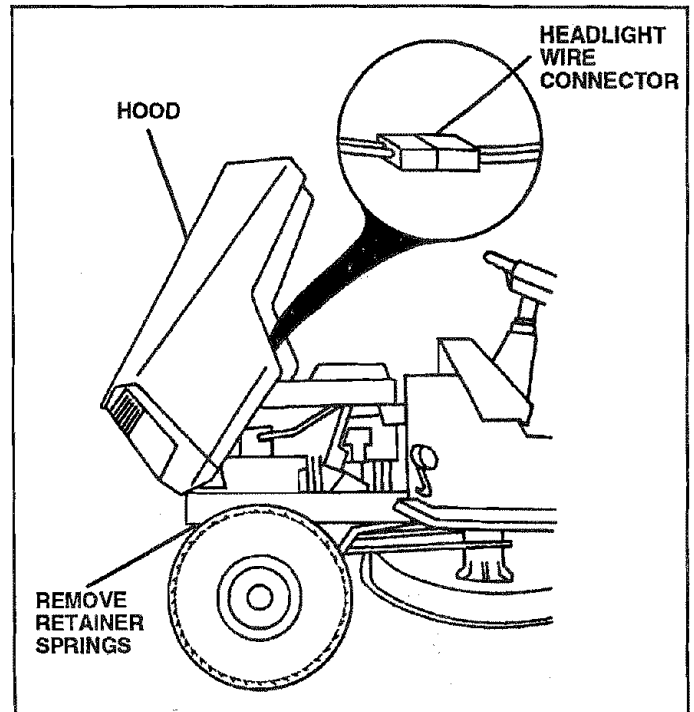


FIG. 31

# SERVICE AND ADJUSTMENTS

## ENGINE

### TO ADJUST THROTTLE CONTROL CABLE (See Fig. 32)

The throttle control has been preset at the factory and adjustment should not be necessary. Check adjustment as described below before loosening cable. If adjustment is necessary, proceed as follows:

- With engine not running, move throttle control lever from "SLOW" to "CHOKE" position. Slowly move lever from "CHOKE" to "FAST" position.
- Check that holes "A" in governor control lever and hole in governor plate line-up. If holes "A" are not aligned, loosen clamp screw and move throttle cable until holes are aligned. Tighten clamp screw securely.

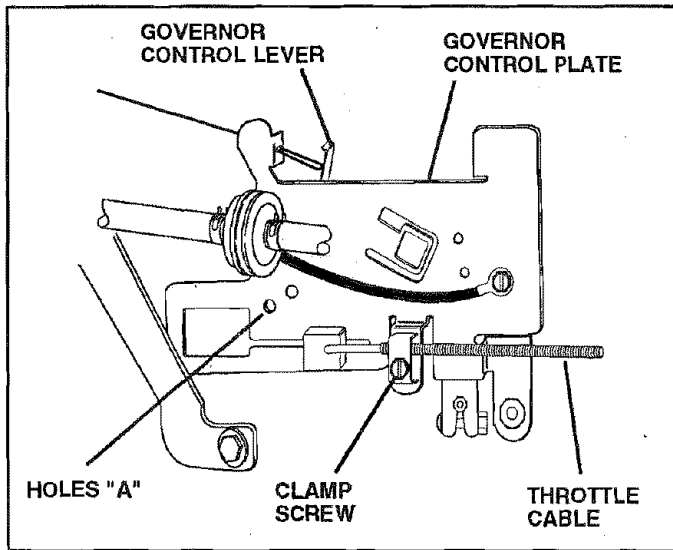


FIG. 32

### TO ADJUST CARBURETOR (See Fig. 33)

The carburetor has been preset at the factory and adjustment should not be necessary. However, minor adjustment may be required to compensate for differences in fuel, temperature, altitude or load. If the carburetor does need adjustment, proceed as follows:

In general, turning idle mixture valve **in** (clockwise) decreases the supply of fuel to the engine giving a leaner fuel/air mixture. Turning the idle mixture valve **out** (counterclockwise) increases the supply of fuel to the engine giving a richer fuel/air mixture.

**IMPORTANT:** DAMAGE TO THE NEEDLE VALVE AND THE SEAT IN CARBURETOR MAY RESULT IF SCREW IS TURNED IN TOO TIGHT.

#### PRELIMINARY SETTING -

- Air cleaner assembly must be assembled to the carburetor when making carburetor adjustments.
- Be sure the throttle control cable is adjusted properly (see above).
- With engine off turn idle mixture valve **in** (clockwise) closing it finger tight and then turn **out** (counterclockwise) 1 full turn.

#### FINAL SETTING -

- Start engine and allow to warm for five minutes. Make final adjustments with engine running and shift/motion control lever in "NEUTRAL" position.
- Move throttle control lever to "SLOW" position. With finger, rotate and hold throttle lever against idle speed screw. Turn idle speed screw to attain 1750 RPM.
- While still holding throttle lever against idle speed screw, turn idle mixture valve **in** (clockwise) until engine begins to die and then turn **out** (counterclockwise) until engine runs rough. Turn valve to a point midway between those two positions. Release throttle lever.

#### ACCELERATION TEST -

- Move throttle control lever from "SLOW" to "FAST" position. If engine hesitates or dies, turn idle mixture valve **out** (counterclockwise) 1/8 turn. Repeat test and continue to adjust, if necessary, until engine accelerates smoothly.

High speed stop is factory adjusted. Do not adjust - damage may result.

**IMPORTANT:** NEVER TAMPER WITH THE ENGINE GOVERNOR, WHICH IS FACTORY SET FOR PROPER ENGINE SPEED. OVERSPEEDING THE ENGINE ABOVE THE FACTORY HIGH SPEED SETTING CAN BE DANGEROUS. IF YOU THINK THE ENGINE-GOVERNED HIGH SPEED NEEDS ADJUSTING, CONTACT YOUR NEAREST AUTHORIZED SERVICE CENTER, WHICH HAS PROPER EQUIPMENT AND EXPERIENCE TO MAKE ANY NECESSARY ADJUSTMENTS.

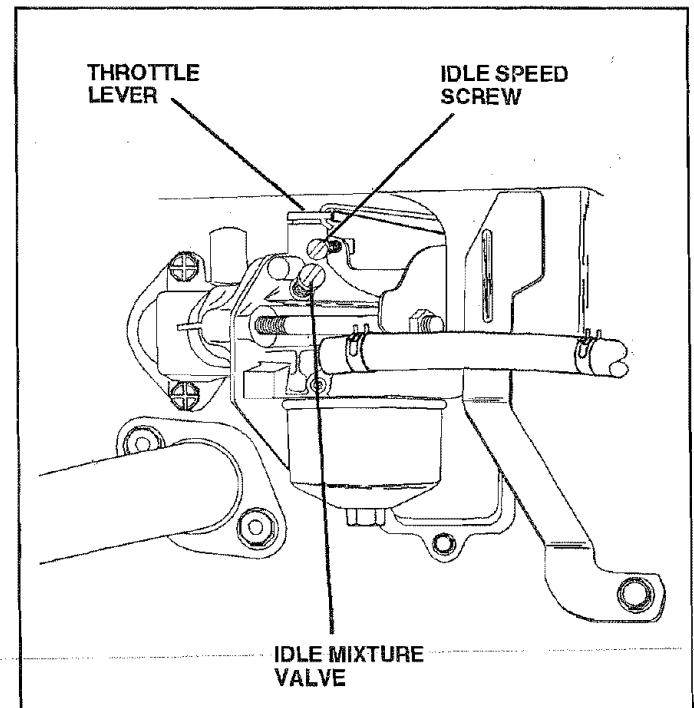


FIG. 33



# STORAGE

Immediately prepare your tractor for storage at the end of the season or if the unit will not be used for 30 days or more.



**CAUTION:** Never store the tractor with gasoline in the tank inside a building where fumes may reach an open flame or spark. Allow the engine to cool before storing in any enclosure.

## TRACTOR

Remove mower from tractor for winter storage. When mower is to be stored for a period of time, clean it thoroughly, remove all dirt, grease, leaves, etc. Store in a clean, dry area.

- Clean entire tractor (See "CLEANING" in the Customer Responsibilities section of this manual).
- Inspect and replace belts, if necessary (See belt replacement instructions in the Service and Adjustments section of this manual).
- Lubricate as shown in the Customer Responsibilities section of this manual.
- Be sure that all nuts, bolts and screws are securely fastened. Inspect moving parts for damage, breakage and wear. Replace if necessary.
- Touch up all rusted or chipped paint surfaces; sand lightly before painting.

## BATTERY

- Fully charge the battery for storage.
- After a period of time in storage, battery may require recharging.
- To help prevent corrosion and power leakage during long periods of storage, battery cables should be disconnected and battery cleaned thoroughly (see "TO CLEAN BATTERY AND TERMINALS" in the Customer Responsibilities section of this manual).
- After cleaning, leave cables disconnected and place cables where they cannot come in contact with battery terminals.
- Be sure battery drain tube is securely attached.

## ENGINE

### FUEL SYSTEM

**IMPORTANT:** IT IS IMPORTANT TO PREVENT GUM DEPOSITS FROM FORMING IN ESSENTIAL FUEL SYSTEM PARTS SUCH AS CARBURETOR, FUEL FILTER, FUEL HOSE, OR TANK DURING STORAGE. ALSO, EXPERIENCE INDICATES THAT ALCOHOL BLENDED FUELS (CALLED GASOHOL OR USING ETHANOL OR METHANOL) CAN ATTRACT MOISTURE WHICH LEADS TO SEPARATION AND FORMATION OF ACIDS DURING STORAGE. ACIDIC GAS CAN DAMAGE THE FUEL SYSTEM OF AN ENGINE WHILE IN STORAGE.

- Drain the fuel tank.
- Start the engine and let it run until the fuel lines and carburetor are empty.
- Never use engine or carburetor cleaner products in the fuel tank or permanent damage may occur.
- Use fresh fuel next season.

**NOTE:** Fuel stabilizer is an acceptable alternative in minimizing the formation of fuel gum deposits during storage. Add stabilizer to gasoline in fuel tank or storage container. Always follow the mix ratio found on stabilizer container. Run engine at least 10 minutes after adding stabilizer to allow the stabilizer to reach the carburetor. Do not drain the gas tank and carburetor if using fuel stabilizer.

### ENGINE OIL

Drain oil (with engine warm) and replace with clean engine oil. (See "ENGINE" in the Customer Responsibilities section of this manual).

### CYLINDERS

- Remove spark plug(s).
- Pour one ounce of oil through spark plug hole(s) into cylinder(s).
- Turn ignition key to "START" position for a few seconds to distribute oil.
- Replace with new spark plug(s).

### OTHER

- Do not store gasoline from one season to another.
- Replace your gasoline can if your can starts to rust. Rust and/or dirt in your gasoline will cause problems.
- If possible, store your unit indoors and cover it to give protection from dust and dirt.
- Cover your unit with a suitable protective cover that does not retain moisture. Do not use plastic. Plastic cannot breathe which allows condensation to form and will cause your unit to rust.

**IMPORTANT:** NEVER COVER TRACTOR WHILE ENGINE AND EXHAUST ARE STILL WARM.

# TROUBLESHOOTING POINTS

PROBLEM	CAUSE	CORRECTION
<b>Will not start</b>	<ol style="list-style-type: none"> <li>1. Out of fuel.</li> <li>2. Engine not "CHOKED" properly.</li> <li>3. Engine flooded.</li> <li>4. Bad spark plug.</li> <li>5. Dirty air filter.</li> <li>6. Dirty fuel filter.</li> <li>7. Water in fuel.</li>   <li>8. Loose or damaged wiring.</li> <li>9. Carburetor out of adjustment.</li> <li>10. Engine valves out of adjustment.</li> </ol>	<ol style="list-style-type: none"> <li>1. Fill fuel tank.</li> <li>2. See "TO START ENGINE" in Operation section.</li> <li>3. Wait several minutes before attempting to start.</li> <li>4. Replace spark plug.</li> <li>5. Clean/replace air filter.</li> <li>6. Replace fuel filter.</li> <li>7. Drain fuel tank and carburetor, refill tank with fresh gasoline and replace fuel filter.</li> <li>8. Check all wiring.</li> <li>9. Contact an authorized service facility.</li> <li>10. Contact an authorized service facility.</li> </ol>
<b>Hard to start</b>	<ol style="list-style-type: none"> <li>1. Dirty air filter.</li> <li>2. Bad spark plug.</li> <li>3. Weak or dead battery.</li> <li>4. Dirty fuel filter.</li> <li>5. Stale or dirty fuel.</li> <li>6. Loose or damaged wiring.</li> <li>7. Carburetor out of adjustment.</li> <li>8. Engine valves out of adjustment.</li> </ol>	<ol style="list-style-type: none"> <li>1. Clean/replace air filter.</li> <li>2. Replace spark plug.</li> <li>3. Recharge or replace battery.</li> <li>4. Replace fuel filter.</li> <li>5. Drain fuel tank and refill with fresh gasoline.</li> <li>6. Check all wiring.</li> <li>7. Contact an authorized service facility.</li> <li>8. Contact an authorized service facility.</li> </ol>
<b>Engine will not turn over</b>	<ol style="list-style-type: none"> <li>1. Clutch/brake pedal not depressed.</li> <li>2. Attachment clutch is engaged.</li> <li>3. Weak or dead battery.</li> <li>4. Blown fuse.</li> <li>5. Corroded battery terminals.</li> <li>6. Loose or damaged wiring.</li> <li>7. Faulty ignition switch.</li> <li>8. Faulty solenoid or starter.</li> <li>9. Faulty operator presence switch(es).</li> </ol>	<ol style="list-style-type: none"> <li>1. Depress clutch/brake pedal.</li> <li>2. Disengage attachment clutch.</li> <li>3. Recharge or replace battery.</li> <li>4. Replace fuse.</li> <li>5. Clean battery terminals.</li> <li>6. Check all wiring.</li> <li>7. Check/replace ignition switch.</li> <li>8. Check/replace solenoid or starter.</li> <li>9. Contact an authorized service facility.</li> </ol>
<b>Engine clicks but will not start</b>	<ol style="list-style-type: none"> <li>1. Weak or dead battery.</li> <li>2. Corroded battery terminals.</li> <li>3. Loose or damaged wiring.</li> <li>4. Faulty solenoid or starter.</li> </ol>	<ol style="list-style-type: none"> <li>1. Recharge or replace battery.</li> <li>2. Clean battery terminals.</li> <li>3. Check all wiring.</li> <li>4. Check/replace solenoid or starter.</li> </ol>
<b>Loss of power</b>	<ol style="list-style-type: none"> <li>1. Cutting too much grass/too fast.</li> <li>2. Throttle in "CHOKE" position.</li> <li>3. Build-up of grass, leaves and trash under mower.</li> <li>4. Dirty air filter.</li> <li>5. Low oil level/dirty oil.</li> <li>6. Faulty spark plug.</li> <li>7. Dirty fuel filter.</li> <li>8. Stale or dirty fuel.</li> <li>9. Water in fuel.</li>   <li>10. Spark plug wire loose.</li> <li>11. Dirty engine air screen/fins.</li> <li>12. Dirty/clogged muffler.</li> <li>13. Loose or damaged wiring.</li> <li>14. Carburetor out of adjustment.</li> <li>15. Engine valves out of adjustment.</li> </ol>	<ol style="list-style-type: none"> <li>1. Set in "Higher Cut" position/reduce speed.</li> <li>2. Adjust throttle control.</li> <li>3. Clean underside of mower housing.</li> <li>4. Clean/replace air filter.</li> <li>5. Check oil level/change oil.</li> <li>6. Clean and regap or change spark plug.</li> <li>7. Replace fuel filter.</li> <li>8. Drain fuel tank and refill with fresh gasoline.</li> <li>9. Drain fuel tank and carburetor, refill tank with fresh gasoline and replace fuel filter.</li> <li>10. Connect and tighten spark plug wire.</li> <li>11. Clean engine air screen/fins.</li> <li>12. Clean/replace muffler.</li> <li>13. Check all wiring.</li> <li>14. Contact an authorized service facility.</li> <li>15. Contact an authorized service facility.</li> </ol>
<b>Excessive vibration</b>	<ol style="list-style-type: none"> <li>1. Worn, bent or loose blade.</li> <li>2. Bent blade mandrel.</li> <li>3. Loose/damaged part(s).</li> </ol>	<ol style="list-style-type: none"> <li>1. Replace blade. Tighten blade bolt.</li> <li>2. Replace blade mandrel.</li> <li>3. Tighten loose part(s). Replace damaged parts.</li> </ol>

# TROUBLESHOOTING POINTS

PROBLEM	CAUSE	CORRECTION
Engine continues to run when operator leaves seat with attachment clutch engaged	<ol style="list-style-type: none"> <li>1. Faulty operator-safety presence control system.</li> </ol>	<ol style="list-style-type: none"> <li>1. Check wiring, switches and connections. If not corrected, contact an authorized service facility.</li> </ol>
Poor cut - uneven	<ol style="list-style-type: none"> <li>1. Worn, bent or loose blade.</li> <li>2. Mower deck not level.</li> <li>3. Buildup of grass, leaves, and trash under mower.</li> <li>4. Bent blade mandrel.</li> <li>5. Clogged mower deck vent holes from buildup of grass, leaves, and trash around mandrels.</li> </ol>	<ol style="list-style-type: none"> <li>1. Replace blade. Tighten blade bolt.</li> <li>2. Level mower deck.</li> <li>3. Clean underside of mower housing.</li> <li>4. Replace blade mandrel.</li> <li>5. Clean around mandrels to open vent holes.</li> </ol>
Mower blades will not rotate	<ol style="list-style-type: none"> <li>1. Obstruction in clutch mechanism.</li> <li>2. Worn/damaged mower drive belt.</li> <li>3. Frozen idler pulley.</li> <li>4. Frozen blade mandrel.</li> </ol>	<ol style="list-style-type: none"> <li>1. Remove obstruction.</li> <li>2. Replace mower drive belt.</li> <li>3. Replace idler pulley.</li> <li>4. Replace blade mandrel.</li> </ol>
Poor grass discharge	<ol style="list-style-type: none"> <li>1. Engine speed too slow.</li> <li>2. Travel speed too fast.</li> <li>3. Wet grass.</li> <li>4. Mower deck not level.</li> <li>5. Low/uneven tire air pressure.</li> <li>6. Worn, bent or loose blade.</li> <li>7. Buildup of grass, leaves and trash under mower.</li> <li>8. Mower drive belt worn.</li> <li>9. Blades improperly installed.</li> <li>10. Improper blades used.</li> <li>11. Clogged mower deck vent holes from buildup of grass, leaves, and trash around mandrels.</li> </ol>	<ol style="list-style-type: none"> <li>1. Place throttle control in "FAST" position.</li> <li>2. Shift to slower speed.</li> <li>3. Allow grass to dry before mowing.</li> <li>4. Level mower deck.</li> <li>5. Check tires for proper air pressure.</li> <li>6. Replace/sharpen blade. Tighten blade bolt.</li> <li>7. Clean underside of mower housing.</li> <li>8. Replace mower drive belt.</li> <li>9. Reinstall blades sharp edge down.</li> <li>10. Replace with blades listed in this manual.</li> <li>11. Clean around mandrels to open vent holes.</li> </ol>
Headlight(s) not working (if so equipped)	<ol style="list-style-type: none"> <li>1. Switch is "OFF".</li> <li>2. Bulb(s) burned out.</li> <li>3. Faulty light switch.</li> <li>4. Loose or damaged wiring.</li> <li>5. Blown fuse.</li> </ol>	<ol style="list-style-type: none"> <li>1. Turn switch "ON".</li> <li>2. Replace bulb(s).</li> <li>3. Check/replace light switch.</li> <li>4. Check wiring and connections.</li> <li>5. Replace fuse.</li> </ol>
Battery will not charge	<ol style="list-style-type: none"> <li>1. Bad battery cell(s).</li> <li>2. Poor cable connections.</li> <li>3. Faulty regulator (if so equipped).</li> <li>4. Faulty alternator.</li> </ol>	<ol style="list-style-type: none"> <li>1. Replace battery.</li> <li>2. Check/clean all connections.</li> <li>3. Replace regulator.</li> <li>4. Replace alternator.</li> </ol>
Engine "backfires" when turning engine "OFF"	<ol style="list-style-type: none"> <li>1. Engine throttle control not set at "SLOW" position for 30 seconds before stopping engine.</li> </ol>	<ol style="list-style-type: none"> <li>1. Move throttle control to "SLOW" position and allow to idle for 30 seconds before stopping engine.</li> </ol>

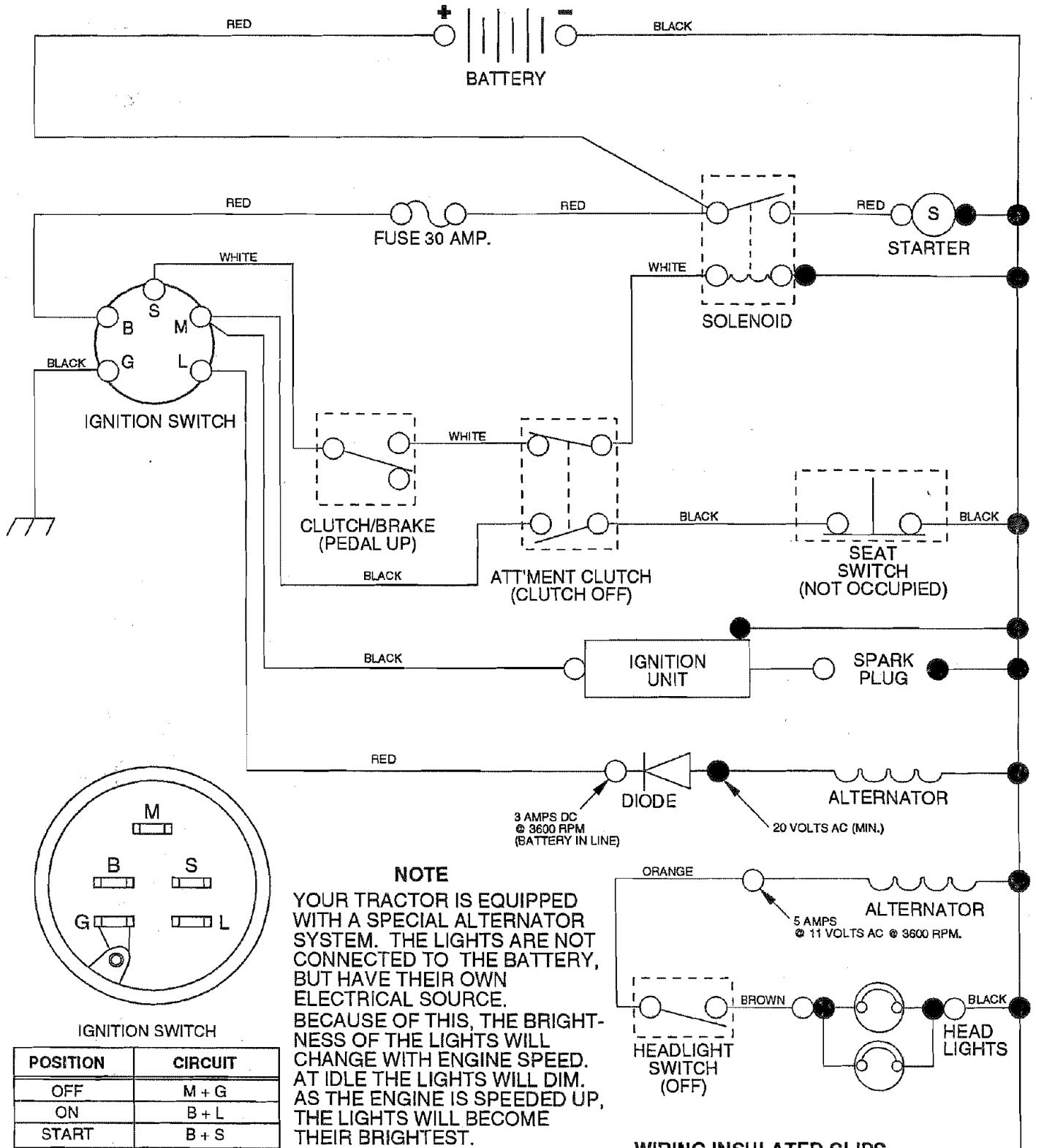
---

# SERVICE NOTES

---

# 12.5 HP 42" RIDING LAWN TRACTOR - - MODEL NUMBER 917.255581

## SCHEMATIC



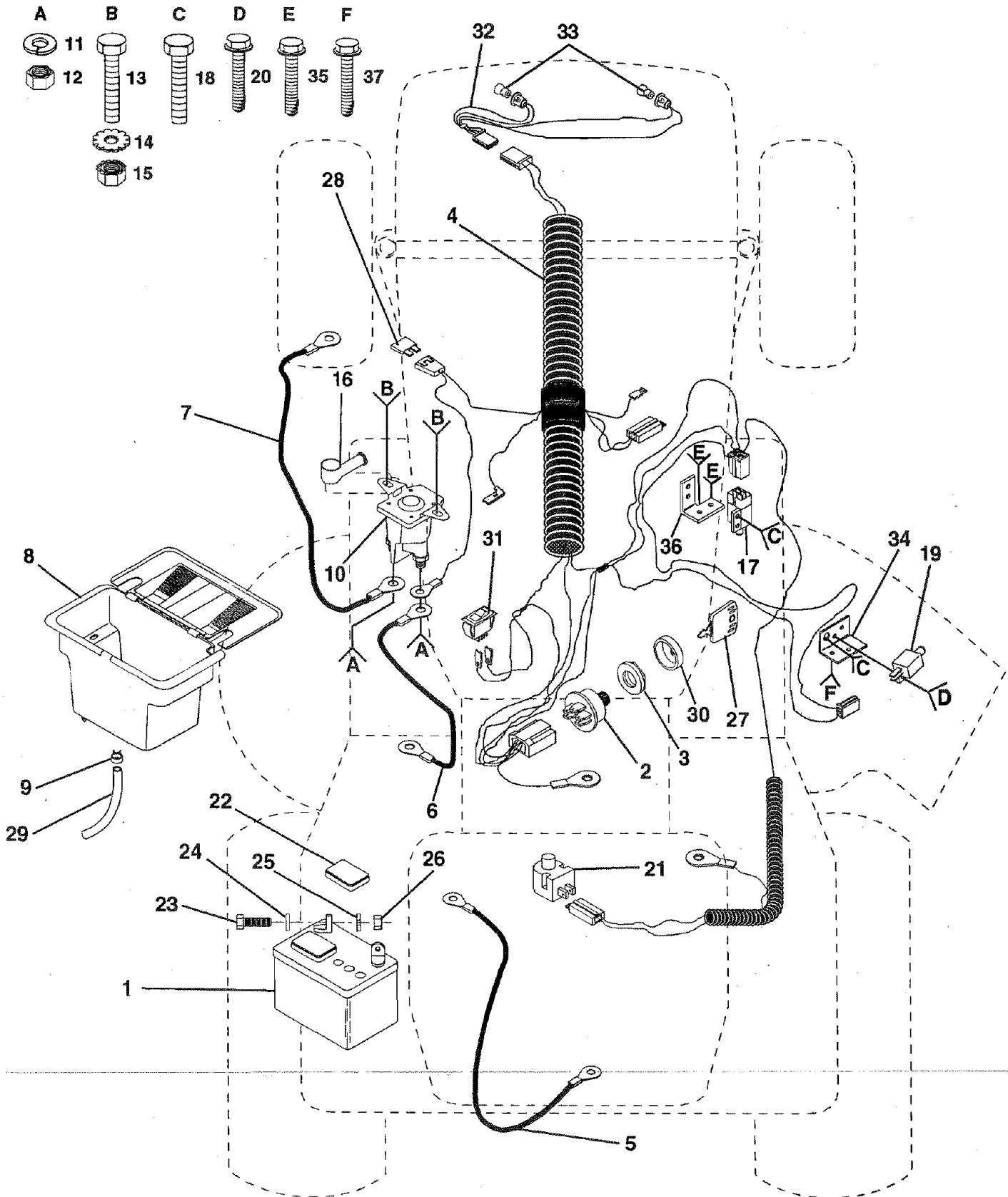
● NON-REMOVABLE CONNECTIONS

○ REMOVABLE CONNECTIONS

# REPAIR PARTS

12.5 HP 42" RIDING LAWN TRACTOR -- MODEL NUMBER 917.255581

## ELECTRICAL



# REPAIR PARTS

## 12.5 HP 42" RIDING LAWN TRACTOR - - MODEL NUMBER 917.255581

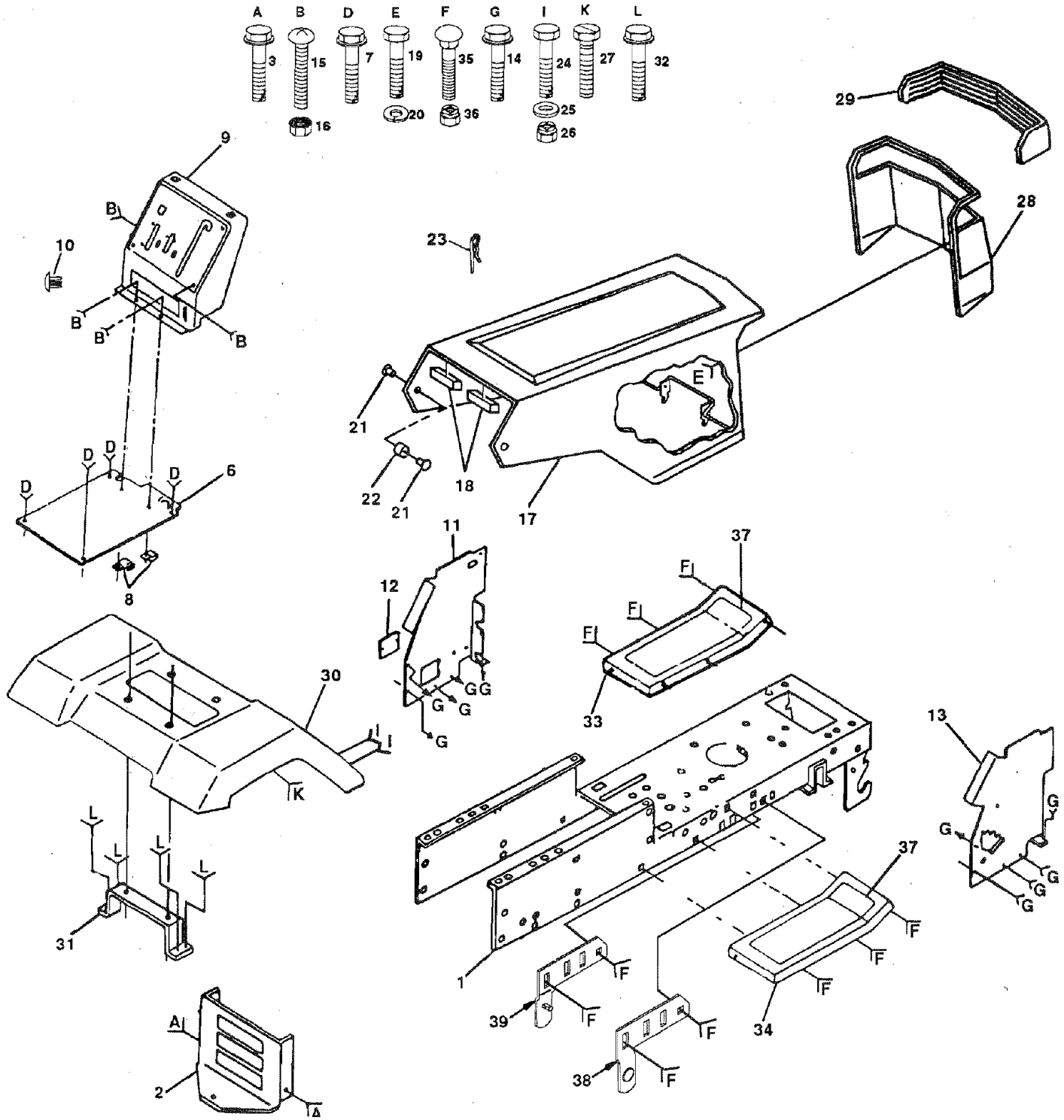
### ELECTRICAL

KEY PART NO. NO.	DESCRIPTION	KEY PART NO. NO.	DESCRIPTION
1 121265X	Battery 12 Volt 25 Amp	21 121305X	Switch Plunger Nc Gray
2 STD365402	Starter Swtc	22 121264X	Caps Battery 20/25/30 Amp
3 124211X	Nut Ignition	23 74760412	Bolt Hex Hd 1/4-20unc X 3/4
4 132653	Harness Ign B&s Fender Hl	24 STD551025	Washer
5 4207J	Cable Ground 6ga 12"black	25 STD551125	Washer
6 132202	Cable Battery 6 Ga 43"red	26 STD541025	Nut
7 4799J	Cable Battery 6ga 11"red	27 109310X	Key Ign Molded Craftsman
8 129965	Case Battery Hng Mech W/lid	28 108824X	Fuse 30 Amp Auto Green
9 109596X	Clamp Hose Olive	29 109238X	Tube Plastic 12"
10 109081X	Solenoid	30 123620X	Cover Sw Key Blk 1 25 Text Stt
11 STD551125	Lockwasher	31 110712X	Switch Light Blk Blk Red
12 73350400	Nut Jam Hex 1/4-20 Unc	32 127441X	Harness Socket Light
13 74780408	Bolt Fin Hex 1/4-20uncx1/2 Gr5	33 7662J	Bulb Light #1141
14 STD551225	Washer	34 108236X	Bracket Switch Clutch
15 STD541425	Nut	35 STD601005	Screw
16 131563	Cover Terminal Red	36 130890	Bracket Switch Interlock
17 109553X	Switch Intlk Clutch Red 4 Term	37 STD601005	Screw
18 STD601005	Screw		
19 104445X	Switch Intlk Clutch Red 2 Term		
20 STD601005	Screw		

**NOTE:** All component dimensions given in U.S. inches  
1 inch = 25.4 mm

# REPAIR PARTS

## 12.5 HP 42" RIDING LAWN TRACTOR - - MODEL NUMBER 917.255581 CHASSIS AND ENCLOSURES





# REPAIR PARTS

12.5 HP 42" RIDING LAWN TRACTOR - - MODEL NUMBER 917.255581

## CHASSIS AND ENCLOSURES

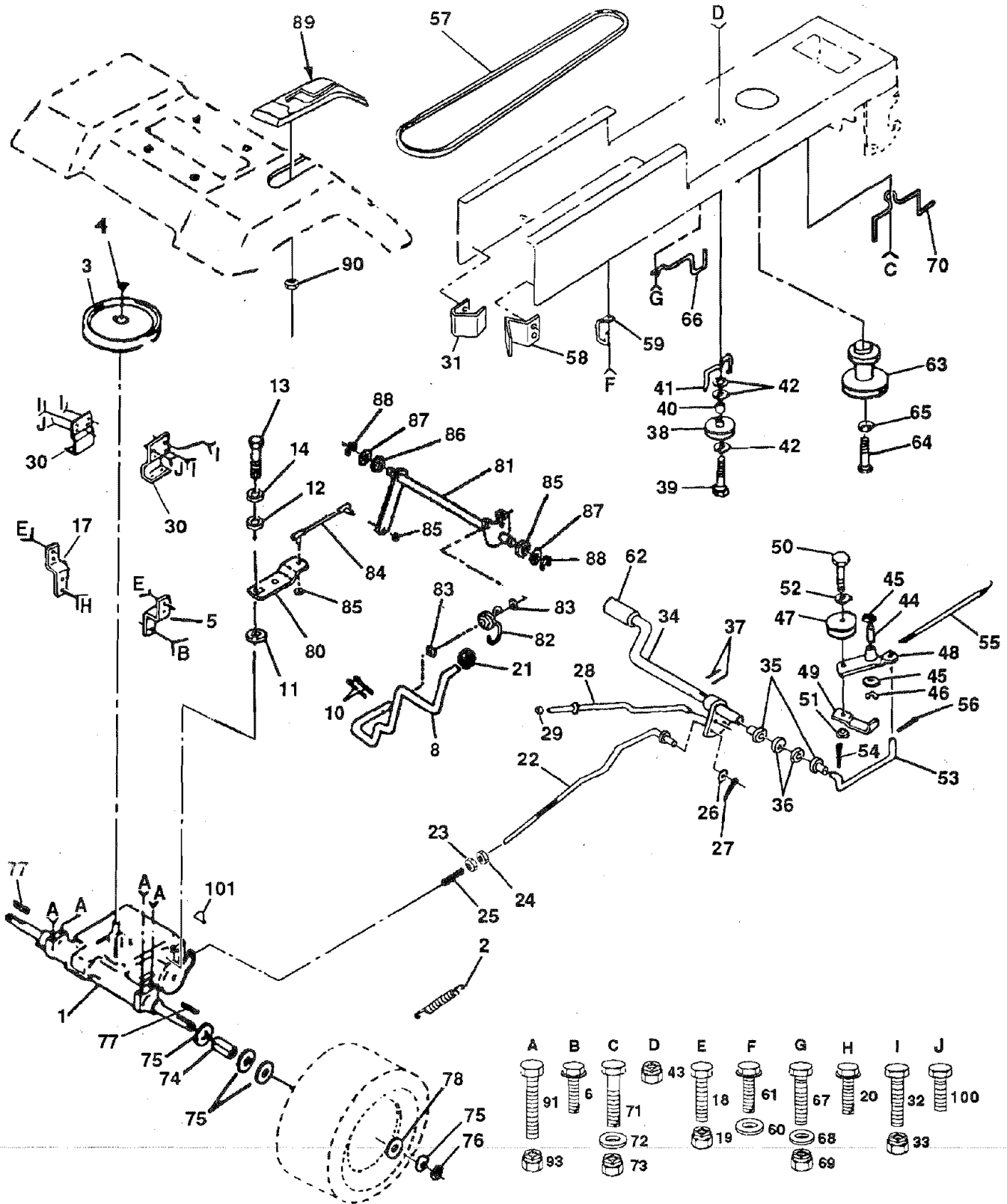
KEY NO.	PART NO.	DESCRIPTION	KEY NO.	PART NO.	DESCRIPTION
1	135034	Chassis Weldment	22	124479X	Washer Nylon Blk 28x 75x 19
2	130805	Drawbar 11 Ga 46 5"wheel Base	23	4921H	Retainer Spring
3	17490612	Screw Thdrol 3/8-16x3/4 Ty-tt	24	STD523707	Bolt
6	126595X010	Saddle Silkscreened	25	19131312	Washer 13/32 X 13/16 X 12 Ga
7	17490608	Screw Thdrol 3/8-16x1/2 Ty-tt	26	STD541437	Nut
8	126471X	Clip Insulated 406 Mtg Hole	27	17490608	Screw Thdrol 3/8-16x1/2 Ty-tt
9	126604X010	Dash Silkscreened Sears Eng	28	126741X	Grille Black
10	5479J	Plug Button Blk 359 Dia	29	124029X	Lens Headlight Bar Clear
11	135464	Panel Pnt Dash Lh	30	126599X459	Fender Pnt
12	121794X	Cover Access Black Square	31	109873X	Bracket Pnt Fender
13	124031X012	Panel Silkscr Dash Rh Weldment	32	17490612	Screw Thdrol 3/8-16x3/4 Ty-tt
14	17490608	Screw Thdrol 3/8-16x1/2 Ty-tt	33	105465X459	Footrest Pnt Lh
15	74180512	Screw Mach Trhd 5/16-18uncx3/4	34	105464X459	Footrest Pnt Rh (dover Gray)
16	STD541431	Nut	35	STD533707	Bolt
17	131445X459	Hood Asm Pnt Weld Dover Slpe	36	STD541437	Nut
18	126938X	Bumper Hood	37	105466X	Pad Footrest Rbr Sq Craftsman
19	STD512505	Screw	38	134775	Bracket, Assembly, Pivot R.H.
20	STD551125	Washer	39	134774	Bracket, Assembly, Pivot L.H.
21	122933X	Rivet Ratchet Nylon			

NOTE: All component dimensions given in U.S. inches  
1 inch = 25.4 mm

# REPAIR PARTS

12.5 HP 42" RIDING LAWN TRACTOR - - MODEL NUMBER 917.255581

DRIVE



# REPAIR PARTS

## 12.5 HP 42" RIDING LAWN TRACTOR - - MODEL NUMBER 917.255581

### DRIVE

KEY PART NO. NO.	DESCRIPTION	KEY PART NO. NO.	DESCRIPTION
1	120898X	50	STD523715 Bolt
2	110422X	51	STD541437 Nut
3	123666X	52	STD551037 Washer
4	12000028	53	105710X Link Clutch 7 66
5	121520X	54	STD561210 Pin
6	17490512	55	105709X Spring Return Clutch 6 75
8	127270	56	STD561210 Pin
10	76020416	57	130801 V-belt Ground Drive 95 25
11	105701X	58	127274X Keeper Belt Rh Lt Pnt/zinc 16g
12	19151216	59	104777X Retainer Belt Chassis Lh Zinc
13	71040412	60	19131312 Washer 13/32 X 13/16 X 12 Ga
14	STD551125	61	17490612 Screw Thdrol 3/8-16x3/4 Ty-tt
17	121250X	62	8883R Cover Pedal Blk Round
18	STD523707	63	134825 Pulley Engine
19	STD541437	64	71170764 Bolt Fin Hex 7/16-20 x 4 Gr.5
20	17490512	65	STD551143 Washer
21	106933X	66	129921 Keeper Belt Engine Lh Lt
22	130804	67	STD523710 Bolt
23	STD541437	68	19131312 Washer 13/32 X 13/16 X 12 Ga
24	STD541237	69	STD541437 Nut
25	106888X	70	134683 Guide Belt Dr Mower Rh
26	STD551037	71	STD523710 Bolt
27	STD561210	72	19132012 Washer 13/32 X 1-1/4 X 12 Ga
28	128904	73	STD541437 Nut
29	124236X	74	109502X Spacer Split 80 X 94
30	130807	75	121749X Washer 25/32 X 1 1/4 X 16 Ga
31	127275X	76	STD581075 E Ring
32	STD523107	77	123583X Key Square 2 0 X 1845/ 1865
33	STD541431	78	121748X Washer 25/32 X 1 5/8 X 16ga
34	122424X	80	131488 Arm, Shift
35	120183X	81	136932 Shaft Asm., Cross Stretch
36	STD551062	82	123782X Spring Torsion
37	STD571810	83	19171216 Washer 17/32 x 3/4 x 16 Ga.
38	123674X	84	132182 Rod Tie Shft. Adj. Ball
39	STD523727	85	73530400 Nut, Nylock
40	4470J	86	71208 Bushing Pivot
41	109070X	87	19212016 Washer
42	19131312	88	12000008 Ring, E
43	STD541437	89	131636 Console Shift 6sp W/ign Lt
44	105706X	90	124346X Nut Self-thd Wsh-hd 1/4 Zinc
45	110812X	91	STD523707 Bolt
46	12000039	100	17490612 Screw Thdrol 3/8 - 16 x 3/4
47	127783		
48	123789X		
49	123205X		

**NOTE:** All component dimensions given in U.S. inches  
1 inch = 25.4 mm



# REPAIR PARTS

## 12.5 HP 42" RIDING LAWN TRACTOR - - MODEL NUMBER 917.255581

### STEERING ASSEMBLY

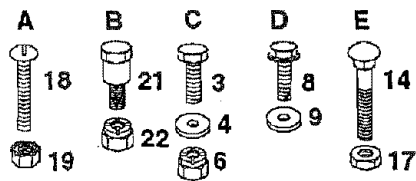
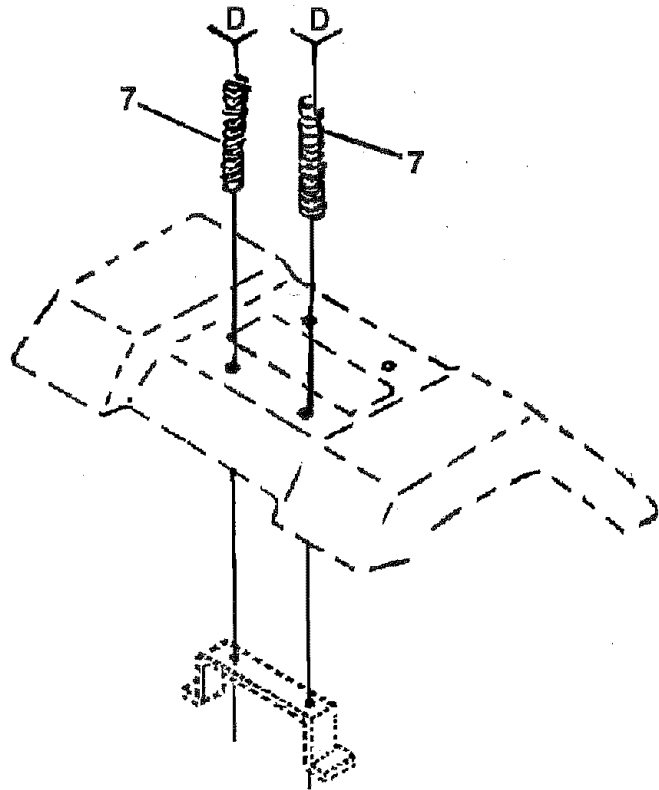
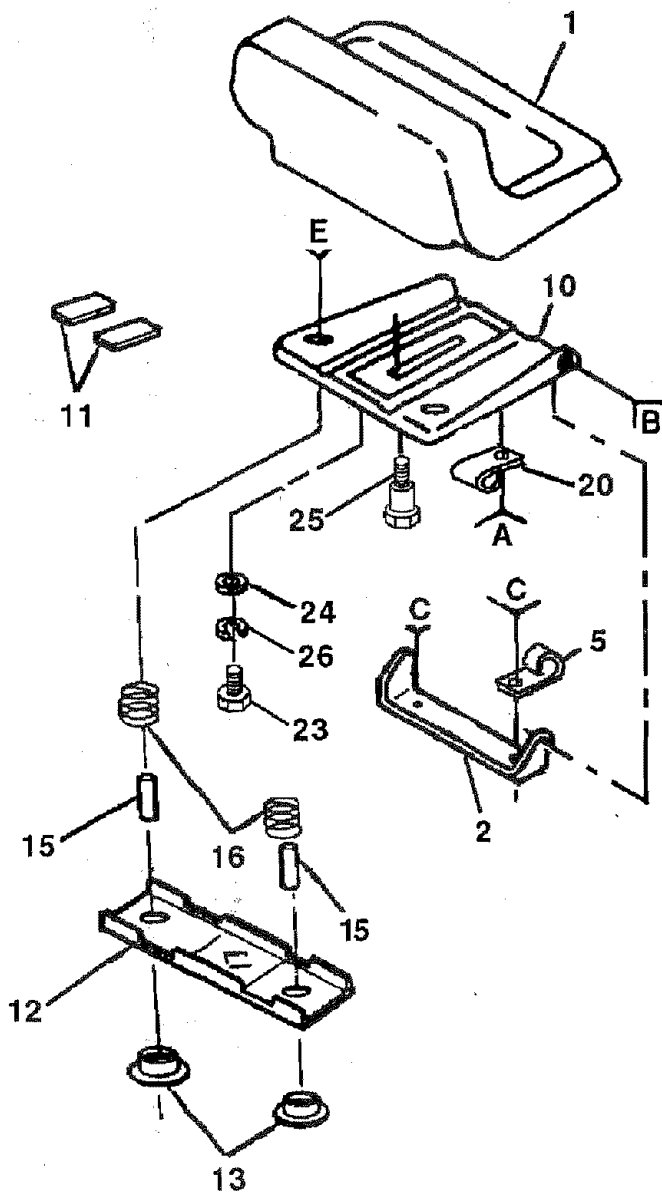
KEY NO.	PART NO.	DESCRIPTION	KEY NO.	PART NO.	DESCRIPTION
1	133741	Wheel Steering	24	109816X	Nyliner Snap In
2	131450	Axle Asm Front	25	124036X	Bracket Steering
3	135227	Spindle Asm Lh	26	12000029	Ring Klip #t5304-75
4	135228	Spindle Asm Rh	27	124034X	Gear Sector
5	6266H	Bearing Race Thrust Harden	28	6266H	Bearing Race Thrust Harden
6	121748X	Washer 25/32 X 1 5/8 X 16ga	29	17490612	Screw Thdrol 3/8-16x3/4 Ty-tt
7	19272016	Washer 27/32 X 1 1/4 X 16 Ga	30	STD551137	Lockwasher
8	12000029	Ring Klip #t5304-75	31	73610600	Nut Fin Hex 3/8-24 Unf
9	3366R	Bearing Col Strg Blk	32	130465	Rod Tie Wire Form 19 75 Mech
10	130468	Link Drag Sol Ball Jt 20 064	33	120754X	Bushing Rod Tie Blk Lt
11	STD551137	Lockwasher	34	19131416	Washer 13/32 X 7/8 X 16ga
12	73610600	Nut Fin Hex 3/8-24 Unf	35	STD561210	Pin
13	110438X	Spacer Bearing Axle Front	36	132196	Bushing Strg 5/8 Id Dash
14	74011056	Bolt Hex 5/8-11 Unc X 3-1/2	37	STD611005	Screw
15	73601000	Nut Hex Jam Lk W/wh 5/8-11 Unc	38	133742	Insert Cap Strg Wh Au Gen Blk
16	132624	Pin Axle 5/8 X 1 55/1 54 Lg	39	19133808	Washer 13/32 X 2-3/8 X 8 Ga
17	132614	Shaft Asm Strg 5/8 X 15 19 Lt	40	STD541537	Gripco Nut
18	57079	Washer Thrust 515x 750x 033	41	104820X	Adaptor Wheel Strg 640/ 635id
19	124035X	Support Shaft	42	124417X	Boot Shaft Steering
20	126684X	Washer Shim 1/4 X 5/8 X 062	43	121749X	Washer 25/32 X 1 1/4 X 16 Ga
21	STD551125	Washer	44	121748X	Washer 25/32 X 1 5/8 X 16ga
22	71070410	Screw Hex Socket 1/4-20 X 5/8	45	12000029	Ring Klip #t5304-75
23	127501	Shaft Asm Pittman	46	121232X	Cap Spindle Fr Top Blk

**NOTE:** All component dimensions given in U.S. inches  
1 inch = 25.4 mm

# REPAIR PARTS

12.5 HP 42" RIDING LAWN TRACTOR - - MODEL NUMBER 917.255581

## SEAT ASSEMBLY



### KEY PART NO. NO.

### DESCRIPTION

1	127438X	Seat V-450 Blk/red Craftsman
2	126656X	Bracket Pnt Pivot Seat (blk)
3	STD523707	Bolt
4	19131210	Washer 13/32 X 3/4 X 10 Ga
5	2751R	Clip Line Fuel 13/32 Mtg Hole
6	STD541437	Nut
7	124181X	Spring Seat Cprsn 2 250 Blk Zi
8	17490616	Screw Thdrol 3/8-16 X 1 Ty-tt
9	19131614	Washer 13/32 X 1 X 14 Ga
10	131451	Pan Pnt Seat (blk)
11	121251X	Strip Foam Gray Or Black
12	121246X	Bracket Pnt Mounting Switch
13	121248X	Bushing Snap Blk Nyl 50 Id
14	72050411	Bolt Rdhd Sht Nk 1/4-20x1-3/8

### KEY PART NO. NO.

### DESCRIPTION

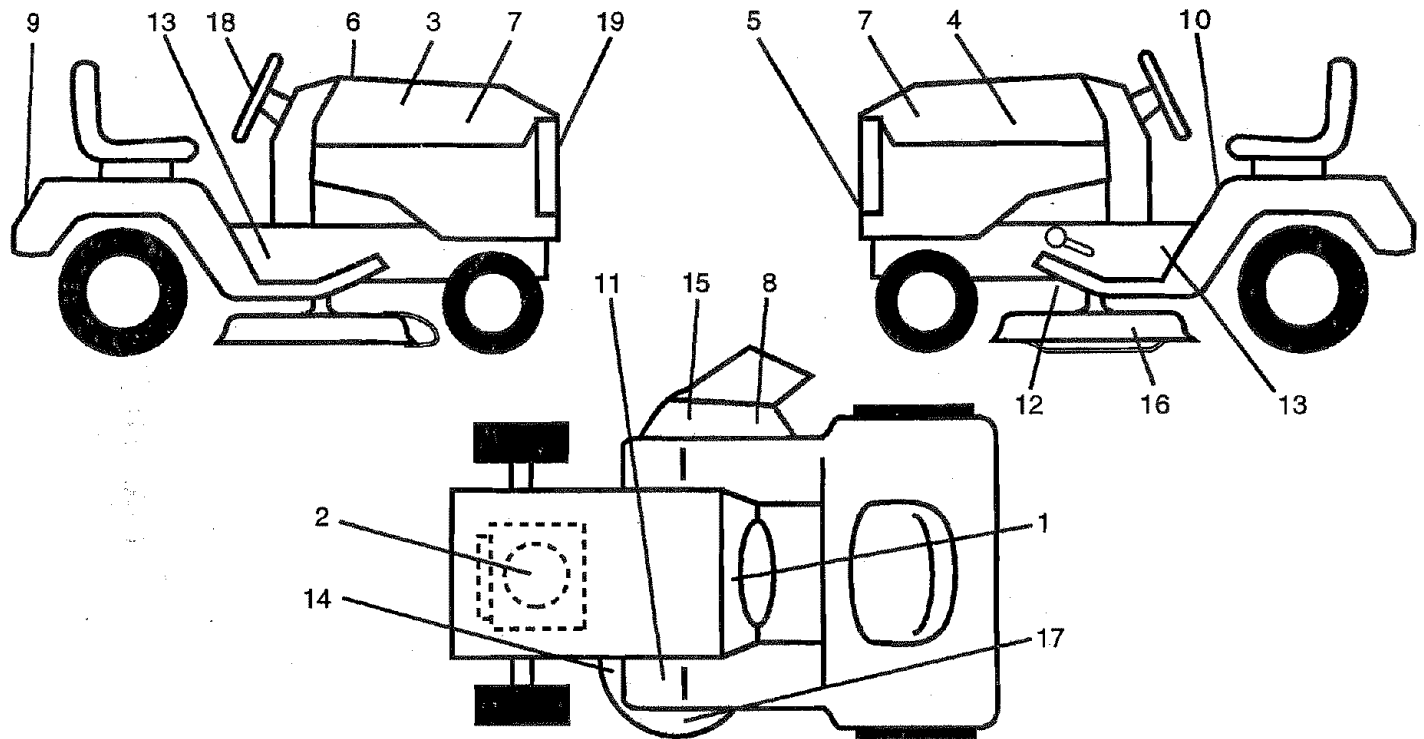
15	134300	Spacer Split 28 X 88 Zinc
16	121250X	Spring Cprsn 1 27 Blk Pnt
17	123976X	Nut Lock 1/4 Lge Flg Gr 5 Zinc
18	STD511005	Screw
19	73951000	Nut Keps #10-32 Unf
20	4171R	Clip Insulated 11/32 Mtg Hole
21	105529X	Bolt Shoulder 5/16-18 Unc Blkz
22	STD541431	Nut
23	74780814	Bolt Fin Hex 1/2-13 X 7/8 Gr 5
24	19171912	Washer 17/32 X 1-3/16 X 12 Ga
25	127018X	Bolt Shoulder 5/16-18 X 62
26	STD551150	Lockwasher

**NOTE:** All component dimensions given in U.S. inches  
1 inch = 25.4 mm

# REPAIR PARTS

## 12.5 HP 42" RIDING LAWN TRACTOR - - MODEL NUMBER 917.255581

### DECALS



#### KEY PART NO. NO.

#### DESCRIPTION

1	108456X	Decal Instruction Operat Eng
2	127908	Decal Eng 12 5hp Ic Gold Craft
3	128381	Decal Hood Rh Craftsman Lt4000
4	128382	Decal Hood Lh Craftsman Lt4000
5	132674	Decal Grille Lt4000 Craft Usa
6	133644	Decal Maint Cust Sears Domesti
7	136332	Decal Panel Side I/c Gold Wht
8	133178	Decal Mower 3 In One Conv
9	128314	Decal Fender Craftsman White
10	133796	Decal Caution English
11	4900J	Decal Clutch/brake English

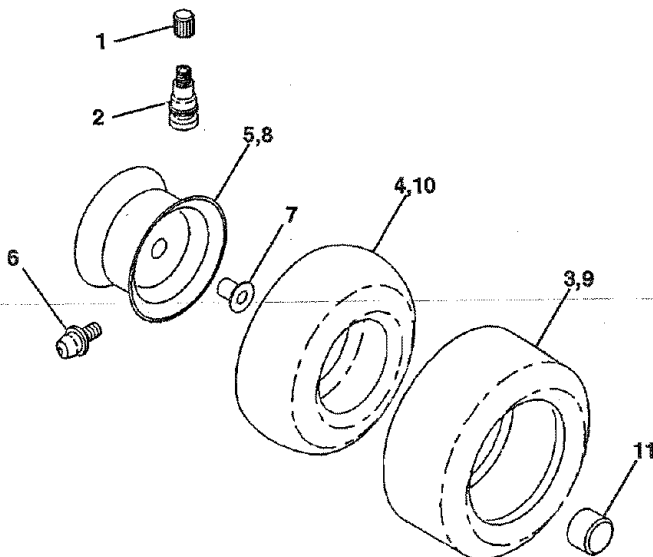
#### KEY PART NO. NO.

#### DESCRIPTION

12	109199X	Decal V-belt Dr Sch Tractor E
13	131473	Decal Chassis 6sp 42"
14	130981	Decal V-belt Schematic 42"eng
15	121343X	Decal Danger English
16	3713J	Decal Rota Blades English
17	133179	Decal Mower Qc System
18	132268	Decal Insr Wh Strg Crafts Usa
19	131265	Decal, Lightbox Grill
--	135828	Manual Owners

**NOTE:** All component dimensions given in U.S. inches  
1 inch = 25.4 mm

### WHEELS & TIRES



#### KEY PART NO. NO.

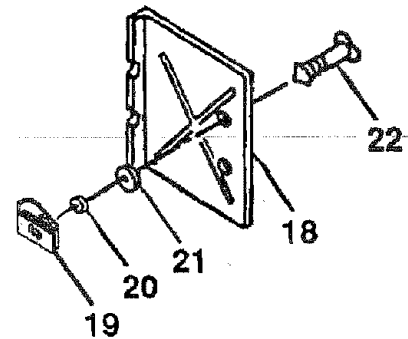
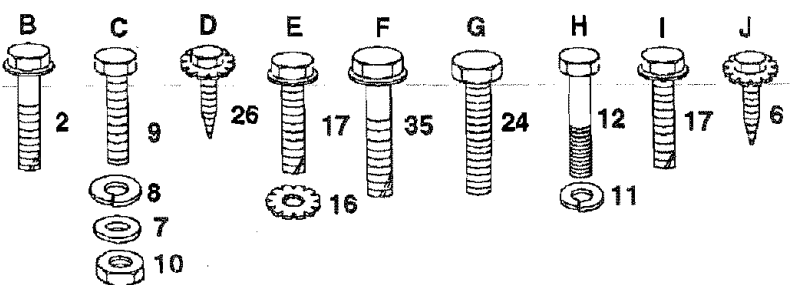
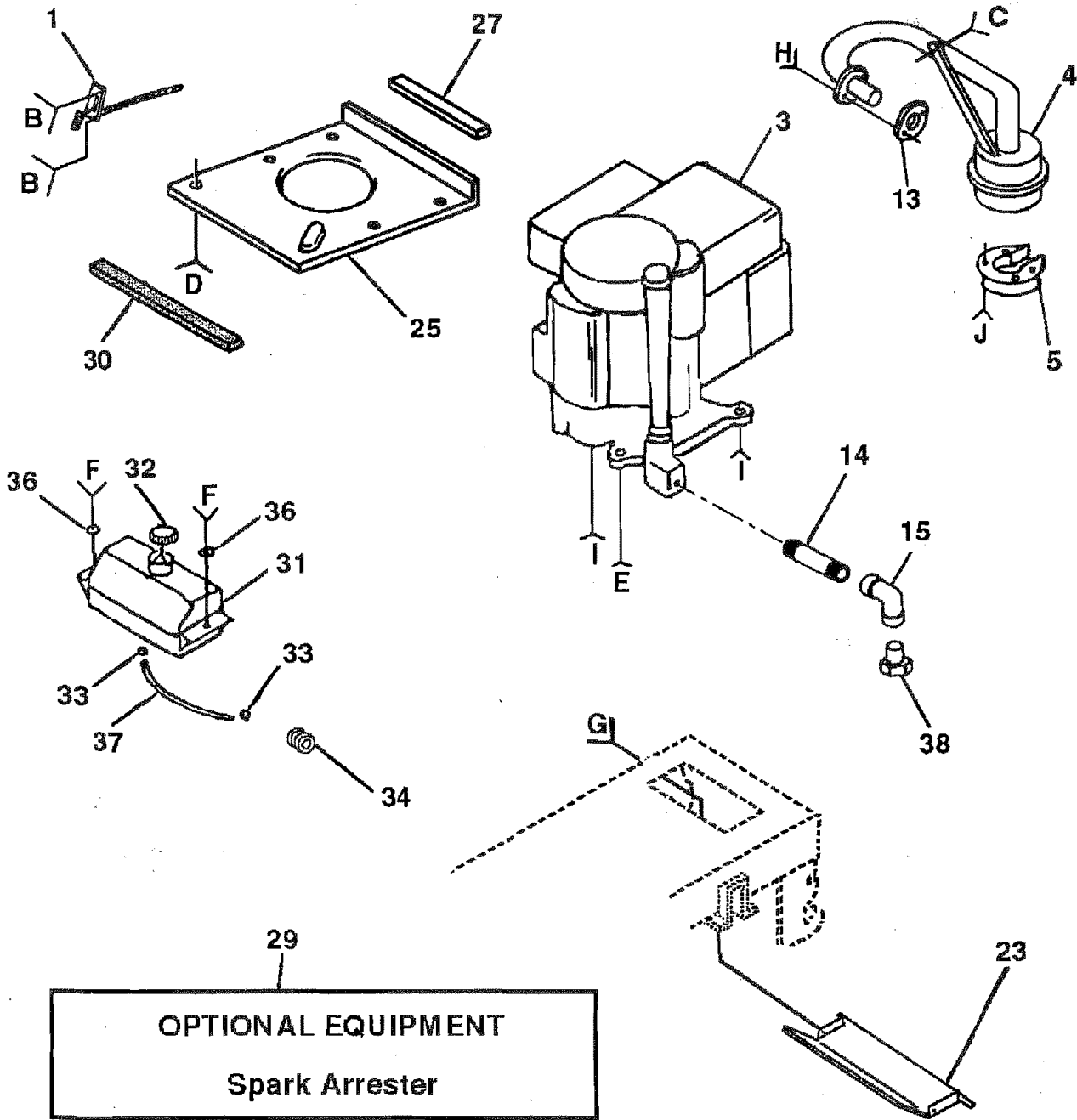
#### DESCRIPTION

1	59192	Cap Valve Tire
2	65139	Stem Valve
3	106222X	Tire F Ts 15 X 6 0 - 6 Service
4	59904	Tube Front (Service Item Only)
5	106732X311	Rim Asm 6"front White Service
6	278H	Fitting Grease (Front Wheel Only)
7	9040H	Bearing Flange (Front Wheel Only)
8	106108X311	Rim Asm 8"rear White Service
9	106268X	Tire R Ts 18x9 5-8 C Service
10	7152J	Tube Rear (Service Item Only)
11	104757X	Cap Axle Blk 1 50 X 1 00

**NOTE:** All component dimensions given in U.S. inches  
1 inch = 25.4 mm

# REPAIR PARTS

12.5 HP 42" RIDING LAWN TRACTOR - - MODEL NUMBER 917.255581  
ENGINE





# REPAIR PARTS

## 12.5 HP 42" RIDING LAWN TRACTOR - - MODEL NUMBER 917.255581

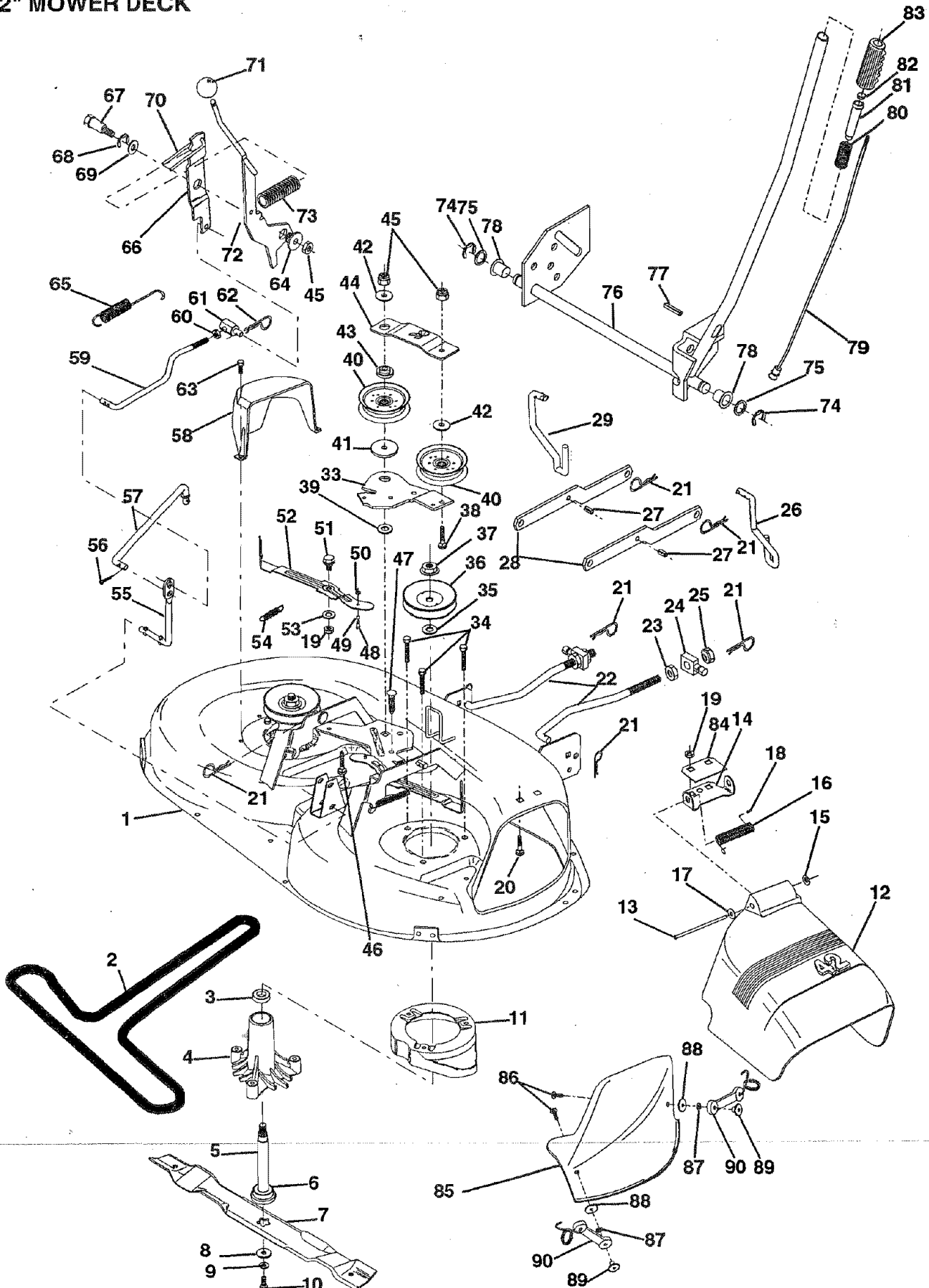
### ENGINE

KEY NO.	PART NO.	DESCRIPTION	KEY NO.	PART NO.	DESCRIPTION
1	132759	Control Throt Rh Blk Pdl 15 10	21	STD551025	Washer
2	17720410	Screw Hex Thd Cut 1/4-20x5/8 T	22	123650X	Stud 1/4 Turn (replaces 105751
3	131953	Engine B&s 12 5 lq Dual 1 Vt	23	128953X	Shield Pnt Heat Browning Grass
4	125610X	Muffler Exhaust B&s Lt Dom	24	STD601005	Screw
5	101326L	Deflector Muffler # 222573	25	124027X	Shield Pnt Heat Hood Lt
6	17030808	Screw Spiderloc Hexhd#8x1/2 Ab	26	17030808	Screw Spiderloc Hexhd#8x1/2 Ab
7	STD551025	Washer	27	105037X	Strip Foam 18"
8	STD551125	Washer	29	121851X	Arrestor Spark
9	STD522510	Bolt	30	127057X	Pinch Weld Hood Black 2 00
10	STD541031	Nut	31	109202X	Tank Fuel 1 25 Fr
11	STD551131	Lockwasher	32	123549X	Cap Asm Fuel W/sym Vented
12	71070510	Screw Hexhd Cap 5/16-18x5/8	33	123487X	Clamp Hose Blk
13	125593X	Gasket 1 313 Id Tin Plated	34	124028X	Bushing Snap Nyl Blk Fuel Line
14	13280324	Nipple Pipe 3/8 Npt X 3"	35	17490412	Screw Hexwsh Thdrol 1/4-20x3/4
15	13200300	Elbow Std 90 Degree 3/8-18 Npt	36	19091416	Washer 9/32 X 7/8 X 16ga
16	STD551237	Washer	37	101335K	Line Fuel 9 50"
17	17490620	Screw Thdrol 3/8-16x1-1/4 Tytt	38	---	Plug Oil Drain (Order From Engine Manufacturer)
18	105736X	Shield Pnt Heat			
19	105839X	Receptacle 1/4 Turn Dacrotized			
20	105838X	Retainer 1/4 Turn 365odx 222id			

**NOTE:** All component dimensions given in U.S. inches  
1 inch = 25.4 mm

# REPAIR PARTS

12.5 HP 42" RIDING LAWN TRACTOR -- MODEL NUMBER 917.255581  
42" MOWER DECK



# REPAIR PARTS

## 12.5 HP 42" RIDING LAWN TRACTOR -- MODEL NUMBER 917.255581

### 42" MOWER DECK

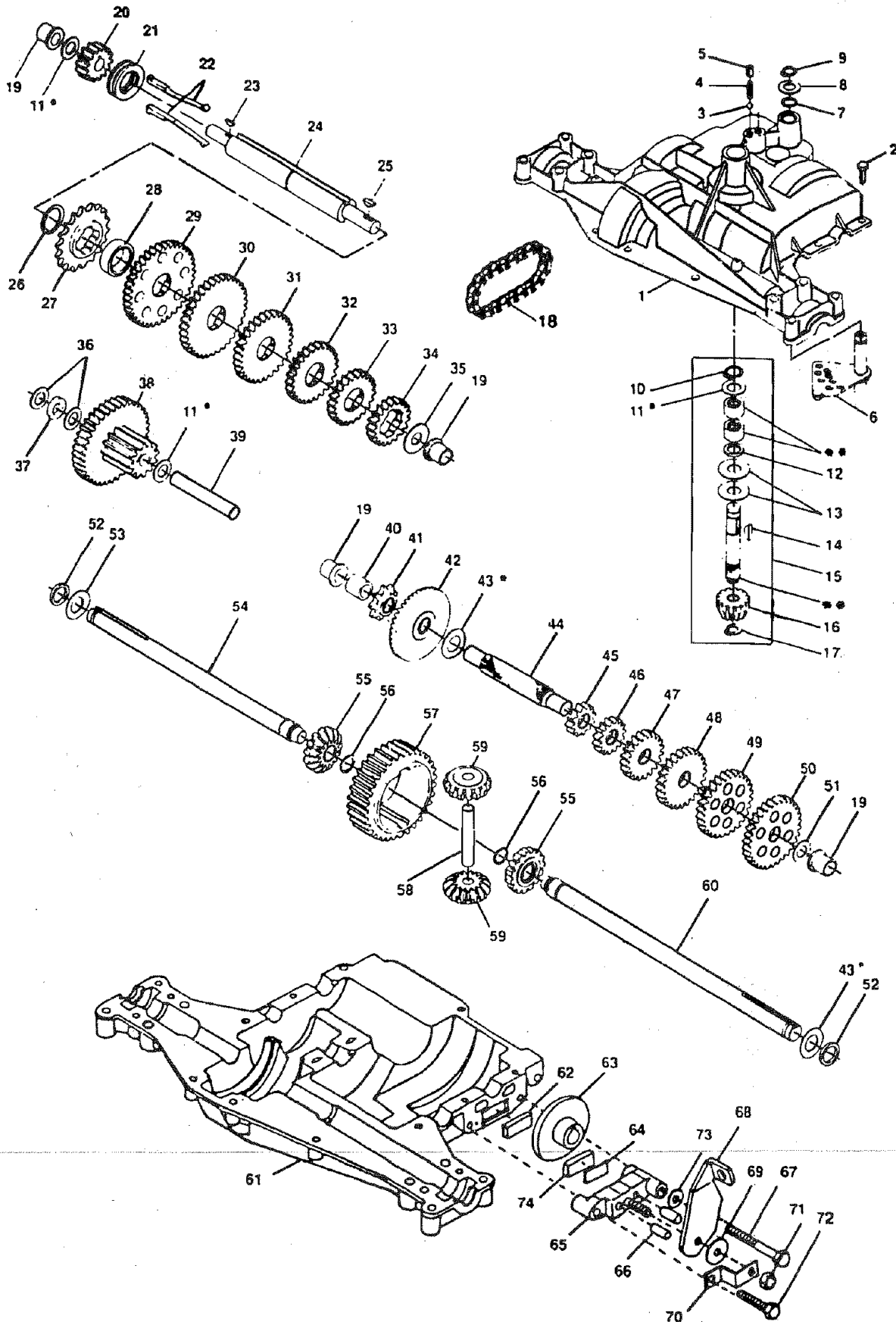
KEY PART NO. NO.	DESCRIPTION	KEY PART NO. NO.	DESCRIPTION
1 130970	Housing Asm Mower 42"	48 131340	Bolt Shldr 10-24 Zinc Gr 5 42"
2 130969	V-belt Mower 42" 92 40	49 133940	Roller Asm Cam Follower 42"dec
3 110485X	Bearing Ball Mandrel	50 STD541410	Nut
4 128774	Housing Mandrel Vented (machd)	51 105529X	Bolt Shoulder 5/16-18 Unc Blkz
5 133172	Shaft Asm Mandrel (Includes Key #6)	52 131845	Arm Asm Brake Pad
6 129895	Bearing Ball #6204 (mandrel)	53 133944	Washer Hardened Smaller
7 134149	Blade 42"mower Mulching	54 131335	Spring Extension
8 129962	Washer Hard Blade Mower Vented	55 133551	Rod Pivot W/nibs
9 STD551137	Lockwasher	56 STD560907	Cotter Pin
10 850857	Bolt 3/8-24x1 25 Gr8 Patched	57 133504	Rod Clutch Secondary W/nibs
11 128961	Stripper Mower Vented	58 134236	Guard Mandrel Lh 42"
12 130968	Shield Deflector 42"Black	59 133550	Rod Clutch Primary W/nibs
13 131491	Rod Hinge 42"6 75 Wlg	60 STD541237	Nut
14 131267	Bracket Deflector Mower 42"	61 132305	Trunnion Adj 3/8-16 Unc x 1 30
15 110452X	Nut Push Phos & Oil	62 STD624003	Retainer
16 123713X	Spring Torsion Deflector 2 52	63 17720410	Screw Hex Thd Cut 1/4-20x5/8 T
17 19111016	Washer 11/32 x 5/8 x 16 Ga	64 127498	Bushing 747 Od x 794 Lg Brass
18 105304X	Cap Sleeve 80x 112 Blk Mower	65 131870	Spring Return
19 STD541431	Nut	66 127847	Arm Clutch Secondary
20 STD533106	Bolt	67 128903	Bolt Shoulder 3/8-16 Unc 1 44
21 STD624008	Ret Spring	68 12000029	Ring Klip #t5304-75
22 127218	Link Front	69 121748X	Washer 25/32 x 1 5/8 X 16ga
23 73350800	Nut Jam Hex 1/2-13 Unc	70 127845	Keeper Spring 4 000
24 130171	Trunnion Blk Zinc	71 106932X	Knob Rd 3/8-16 Plstc Thds Blk
25 73800800	Nylon Washer Ins Nut 1/2-13 Unc	72 133573	Arm Asm Clutch Primary
26 135388	Link Lift Rh	73 128759	Spring Clutch Mower 2 750 Zinc
27 135563	Pin Spring Slted 5/16 x 750	74 STD581062	E Ring
28 130832	Arm Suspension Rear	75 19211416	Washer 21/32 x 7/8 x 16ga
29 134619	Link Lift Lh	76 122507X	Shaft Asm Pnt Lft W/wo/inf Hgt
33 133844	Arm Asm Idler 42"	77 105767X	Pin Groove 1 500 Zinc
34 78158	Bolt 5/16-18 x 1 25 T/t	78 120183X	Bearing Nylon Blk 629 Id
35 129963	Washer Spacer Mower Vented	79 122514X	Rod Asm Lever 9 219 Bend Stake
36 129861	Pulley Mandrel 42"	80 122512X	Spring Cprsn 3 750 Oiled
37 73050900	Nut 9/16top Lock Flng Oil Dip	81 122364X	Plunger Lever Lift
38 STD533717	Bolt	82 122365X	Button Plunger Red
39 133943	Washer Hardened	83 125631X	Grip Handle Fluted Blk
40 131494	Pulley Idler Flat	84 134753	Bracket Stiffener
41 122052X	Spacer Retainer Pm Mower	85 134079	Cover 42" mulcher
42 19131612	Washer 13/32 x 1 x 12 Ga	86 71161010	Screw
43 133502	Spacer Arm Idler Upper Hdn 42"	87 10071000	Washer Lock #10
44 133503	Stiffener Arm Idler Upper 42"	88 19061216	Washer #10
45 STD541437	Nut	89 2029J	Nut Weld
46 72110618	Bolt Rdhd Sqnk 3/8-16 x 2-1/4	90 130758	Latch Assembly
47 133835	Fastner Christmas Tree	— 133171	Deck Assembly Complete
		— 130794	Mandrel Asm (Includes Key #'s 5-8,10-12,39 And 41)

**NOTE:** All component dimensions given in U.S. inches  
1 inch = 25.4 mm

# REPAIR PARTS

12.5 HP 42" RIDING LAWN TRACTOR - - MODEL NUMBER 917.255581

FOOTE/DANA TRANSAXLE - MODEL NUMBER 4360-7



# REPAIR PARTS

## 12.5 HP 42" RIDING LAWN TRACTOR - - MODEL NUMBER 917.255581

### FOOTE/DANA TRANSAXLE - MODEL NUMBER4360-7

KEY PART NO.	NO.	DESCRIPTION	KEY PART NO.	NO.	DESCRIPTION
1	120458X	Housing, Upper	41	105928X	Sprocket, 9 Teeth
2	2274J	Screw, Tapping, Large 1/4-20 x .734	42	110084X	Gear, Bevel, 42 Teeth
3	68003	Ball, Detent	43	108983X	* Washer, Plain .758 x 1.12 x .010
4	105904X	Spring, Detent		105930X	* Washer, Plain .758 x 1.12 x .015
5	105905X	Screw, Set		105931X	* Washer, Plain .758 x 1.12 x .020
6	120460X	Shifter Assembly		105932X	* Washer, Plain .758 x 1.12 x .025
7	120461X	O-Ring		3417J	* Washer, Plain .758 x 1.25 x .020
8	120462X	* Washer, Plain .505 x .942 x .006		106097X	* Washer, Plain .758 x 1.25 x .025
	120463X	* Washer, Plain .505 x .942 x .010		2264J	* Washer, Plain .758 x 1.25 x .031
	120464X	* Washer, Plain .505 x .942 x .015		106098X	* Washer, Plain .758 x 1.25 x .035
	120465X	* Washer, Plain .505 x .942 x .020		2265J	* Washer, Plain .758 x 1.25 x .040
	120466X	* Washer, Plain .505 x .942 x .026		106586X	* Washer, Plain .758 x 1.25 x .045
	83818	* Washer, Plain .505 x .942 x .030		106587X	* Washer, Plain .758 x 1.25 x .050
	120467X	* Washer, Plain .505 x .942 x .040		106588X	* Washer, Plain .758 x 1.25 x .055
9	2286J	Ring, Retaining		2263J	* Washer, Plain .758 x 1.25 x .062
10	2267J	Ring, Retaining	44	120473X	Shaft, Drive
11	3413J	* Washer, Plain .632 x 1.00 x .010	45	105933X	Gear, Spur, 12 Teeth
	2233J	* Washer, Plain .632 x 1.00 x .020	46	106151X	Gear, Spur, 15 Teeth
	2232J	* Washer, Plain .632 x 1.00 x .026	47	120407X	Gear, Spur, 20 Teeth
	2231J	* Washer, Plain .632 x 1.00 x .031	48	106589X	Gear, Spur, 25 Teeth
	2230J	* Washer, Plain .632 x 1.00 x .036	49	120408X	Gear, Spur, 28 Teeth
	2229J	* Washer, Plain .632 x 1.00 x .041	50	105937X	Gear, Spur, 31 Teeth
	2228J	* Washer, Plain .632 x 1.00 x .046	51	2226J	Washer, Plain .632 x 1.00 x .060
	2227J	* Washer, Plain .632 x 1.00 x .050	52	2272J	Seal, Felt
	2226J	* Washer, Plain .632 x 1.00 x .060	53	2263J	Washer, Plain .758 x 1.25 x .062
	105906X	* Washer, Plain .632 x 1.00 x .082	54	120474X	Axle, Left Hand
12	6725J	O-Ring	55	110081X	Gear, Miter, 15 Teeth
13	120415X	Washer, Plain .632 x 1.38 x .046	56	105941X	Ring, Retaining
14	2257J	Key, Woodruff #9	57	110071X	Gear, Spur, 32 Teeth
15	110077X	Assembly, Kit, Input Shaft	58	120952X	Shaft, Cross
16	110078X	Pinion, Bevel, 14 Teeth	59	110082X	Gear, Miter, 15 Teeth
17	105909X	Ring, Retaining	60	120475X	Axle, Right Hand
18	105910X	Chain, 24 Pitches	61	120476X	Housing, Lower
19	105911X	Bearing, Flange	62	120961X	Puck, Friction
20	108976X	Gear, Spur, 14 Teeth	63	7294J	Disc, Brake
21	105913X	Collar, Clutch	64	108989X	Spacer
22	120468X	Key, Clutch	65	120953X	Jaw, Brake
23	2242J	Key, Woodruff	66	120954X	Pin, Dowel
24	120469X	Shaft, Intermediate	67	120955X	Screw, Tapping, Large 5/16-18 x 2.25
25	2244J	Key, Woodruff #61	68	108992X	Lever, Actuating
26	105916X	Ring, Retaining	69	108996X	Washer, Plain .321 x 1.00 x .055
27	120470X	Sprocket, 18 Teeth	70	120956X	Bracket, Anti-Rotation
28	110070X	Spacer	71	73810500	Locknut 5/16-24
29	108977X	Gear, Spur, 37 Teeth	72	106596X	Screw, Tapping, Large 5/16-18 x 1.44
30	109254X	Gear, Spur, 35 Teeth	73	120993X	Washer, Plain .343 x .81 x .059
31	120405X	Gear, Spur, 30 Teeth	74	120951X	Puck, Friction
32	108980X	Gear, Spur, 25 Teeth	75	120416X	Grease
33	120406X	Gear, Spur, 22 Teeth			
34	108455X	Gear, Spur, 19 Teeth			
35	105925X	Washer, Plain .640 x 1.37 x .061			
36	2232J	Washer, Plain .632 x 1.00 x .026			
37	108978X	Spacer .630 x 1.00 x .169			
38	110079X	Assembly, Gear, Combination of 12 Teeth and 35 Teeth			
39	120471X	Shaft, Idler			
40	120472X	Spacer .635 x .875 x .755			

\* Use In Various Combinations To Maintain Proper Clearances.

\*\* Order Key Number 15

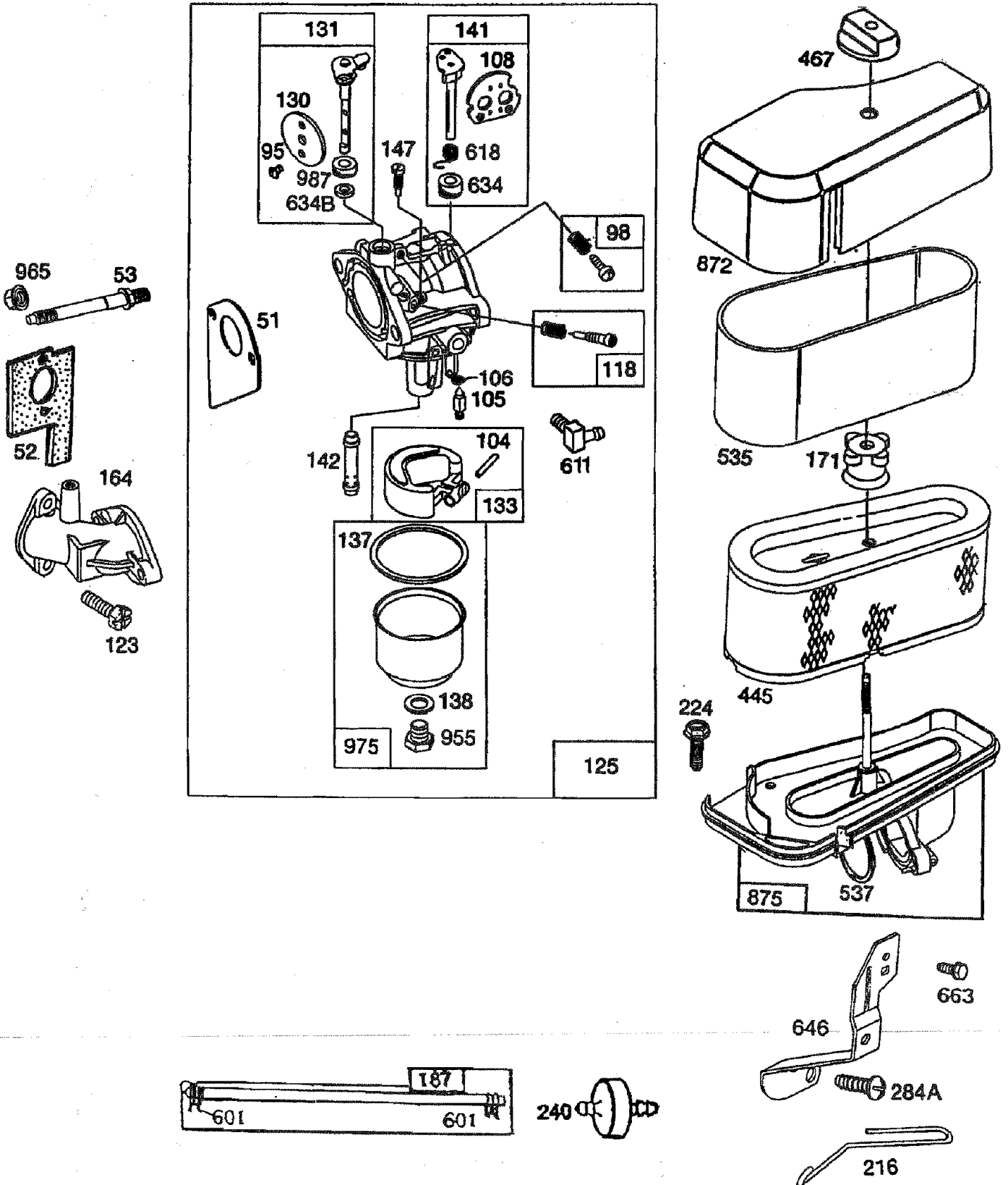
**NOTE:** All component dimensions given in U.S. inches  
1 inch = 25.4 mm



# REPAIR PARTS

12.5 HP 42" RIDING LAWN TRACTOR - - MODEL NUMBER 917.255581  
BRIGGS & STRATTON ENGINE - MODEL NUMBER 286707, TYPE NUMBER 0437-01

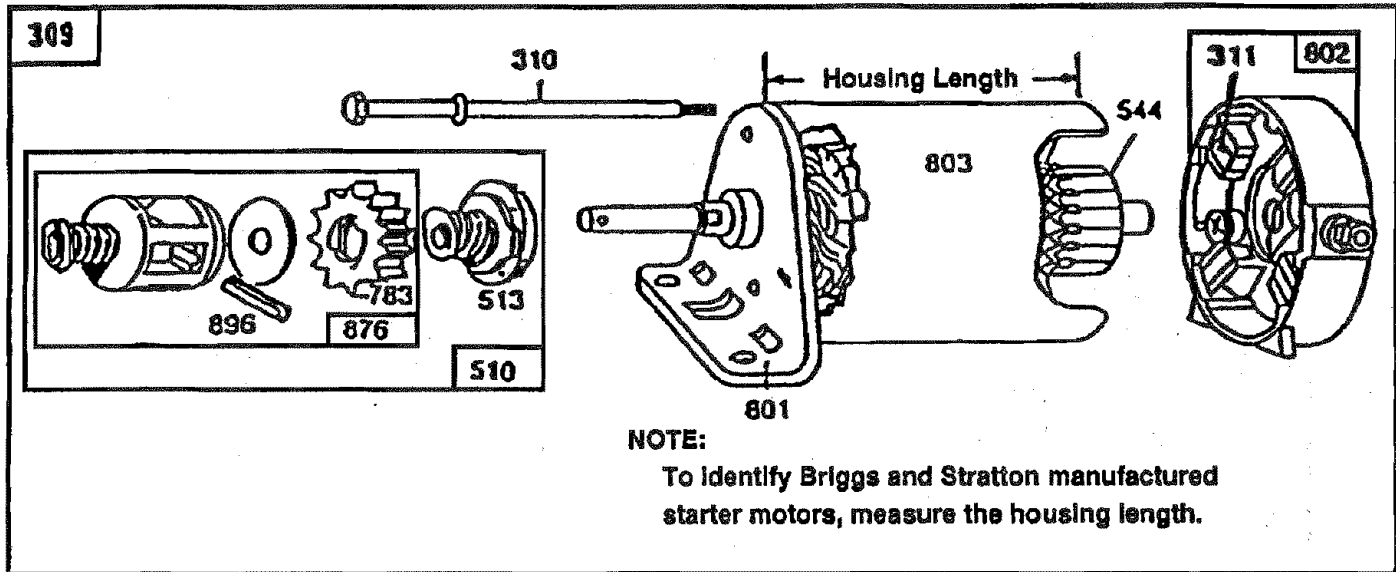
## 121 CARBURETOR OVERHAUL KIT



# REPAIR PARTS

12.5 HP 42" RIDING LAWN TRACTOR - - MODEL NUMBER 917.255581

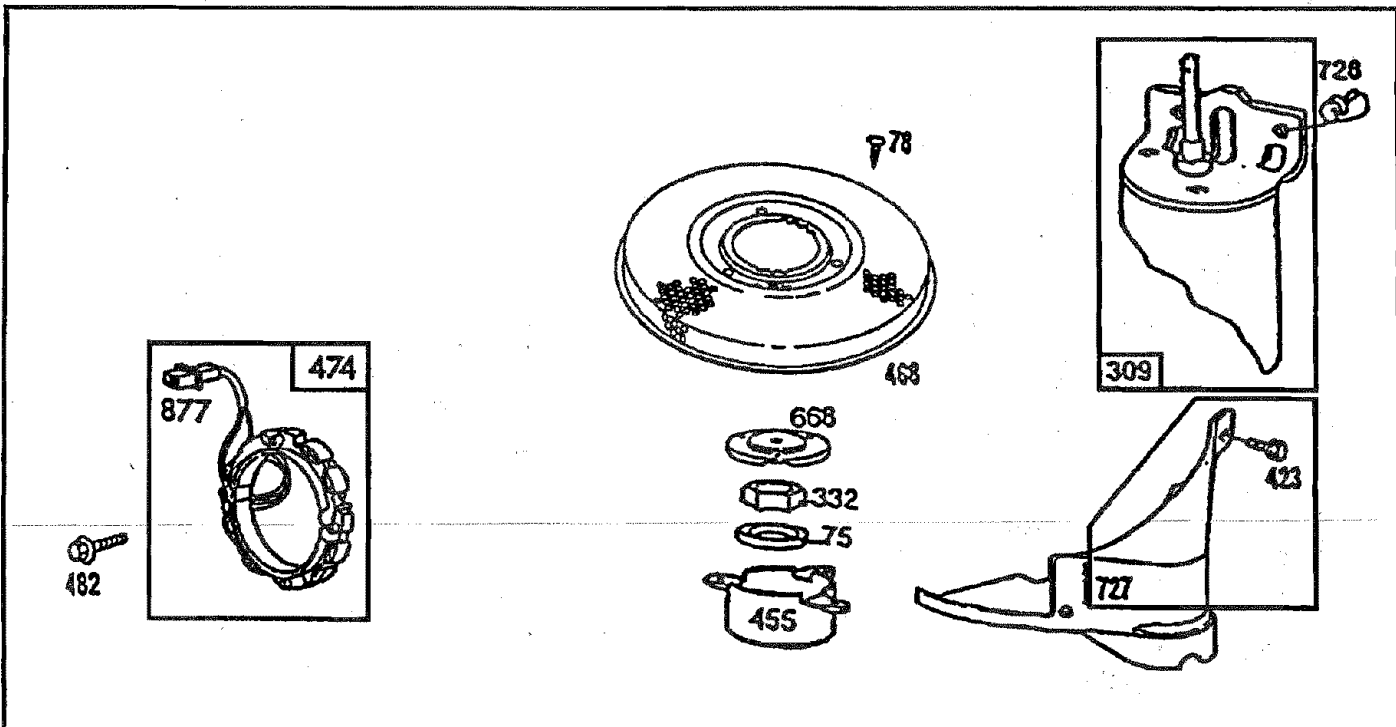
BRIGGS & STRATTON ENGINE - MODEL NUMBER 286707, TYPE NUMBER 0437-01



KEY NUMBER		309	310	311	510	544	801	802	803
<b>MANUFACTURER</b>		Motor and Drive Assy.	Thru Bolt Assembly	Brush Assembly	Drive Assembly	Armature Assembly	Drive End Cap Assembly	End Cap Assy. Commutator	Housing Assembly
Briggs & Stratton	Housing Length								
12V	3-21/32"	494325	94003	395538	490421**	390837	394856	395537*	398159

\*Includes Brush Set

\*\*Includes  
 #398003 Clutch Assembly (Key Number 513)  
 #280104 Gear (Key Number 783)  
 #490467 Retainer and Pin (Key Number 876)  
 #94288 Roll Pin (Key Number 896)





# REPAIR PARTS

12.5 HP 42" RIDING LAWN TRACTOR - - MODEL NUMBER 917.255581

BRIGGS & STRATTON ENGINE - MODEL NUMBER 286707, TYPE NUMBER 0437-01

KEY PART NO. NO.	DESCRIPTION	KEY PART NO. NO.	DESCRIPTION
1 490450	Cylinder Assembly	78 93805	Screw, Sems
2 261623	Bearing, Cylinder (Requires Special Tools For Installation)	95 94098	** Screw, Throttle
3 391086	* Seal, Oil	98 494382	Screw, Idle Speed
5 494240	Head, Cylinder	104 231789	** Pin, Float Hinge
7 271866	* Gasket, Cylinder Head	105 231790	** Valve Assembly, Inlet Needle
8 391406	Breather Assembly	106 281169	Inlet Valve Seat
9 27803	Gasket, Valve Cover	108 224540	Valve, Choke
10 94621	Screw, Sems	118 494383	** Valve, Needle
11 280100	Tube, Breather	121 494384	Carburetor Overhaul Kit (Includes Items marked ** and ***)
12 271916	* Gasket, Crankcase Cover 1/64"	123 94616	Screw, Elbow Mounting
271997	* Gasket, Crankcase Cover .005"	125 494392	Carburetor Assembly (Choke-A-Matic)
271996	* Gasket, Crankcase Cover .009"	130 224539	Valve, Throttle
13 94622	Screw, Cylinder Head 3"	131 494379	Shaft and Lever, Throttle
14 93415	Screw, Cylinder Head 3/4"	133 494381	Float, Carburetor
15 94239	Plug, Oil Drain	137 281165	*** Gasket, Float Bowl
16 490466	Crankshaft	138 281164	*** Washer, Float Bowl Screw
94196	Key, Timing Gear	141 494380	** Shaft and Lever, Choke
18 494238	Base, Engine	142 231793	** Nozzle/Jet, Carburetor
20 291675	* Seal, Oil	494499	High Altitude Kit:
22 94624	Screw, Sems, Base Mounting		231796 Pilot Jet, High Altitude
23 492326	Flywheel and Ring Gear Assembly, Magneto		281164 Seal, Bowl Screw
24 222698	Key, Flywheel	147 231794	** Pilot, Jet
25 394661	Piston Assembly, Standard	164 213811	Carburetor, Elbow
394662	Piston Assembly .010" Oversize	171 281051	Nut, Air Cleaner Mounting
394663	Piston Assembly .020" Oversize	187 393815	Line, Fuel, 11" (Cut To Suit)
394664	Piston Assembly .030" Oversize	188 93535	Screw, Sems 3/4"
26 391780	Ring Set, Piston, Standard	201 262767	Link, Governor
392331	Ring Set, Piston, Chrome, Standard	209 260871	Spring, Governor
391781	Ring Set, Piston .010" Oversize	216 262766	Link, Choke
391782	Ring Set, Piston .020" Oversize	219 490815	Oil Slinger, Governor Gear and Bracket Assembly
391783	Ring Set, Piston .030" Oversize		Plate, Governor Control (Choke-A-Matic)
27 260924	Lock, Piston Pin	222 494887	Screw, Sem, Air Cleaner
28 299691	Pin Assembly, Piston, Standard	224 94513	Crank, Governor, 1/4" Diameter
391286	Pin Assembly, Piston .005" Over	225 231058	Lever Assembly, Governor
29 490348	Rod Assembly, Connecting	227 493935	Washer, Governor Crank, 1/4" I.D.
490469	Rod Assembly, Connecting .020" Undersize Crankpin Bore	230 222450	Spring, Governor Link
31 222299	Lock, Connecting Rod Screw	232 262785	Filter, Fuel
32 92909	Screw, Connecting Rod	240 394358	Clamp, Casing
33 262246	Valve, Exhaust	265 221535	Screw, Clamp Mounting
34 262247	Valve, Intake	284 94419	Screw, Air Cleaner
35 65906	Spring, Intake Valve	284A 94326	Housing, Blower, Red
36 26828	Spring, Exhaust Valve	304 224504	Screw, Sems, Blower Housing
37 223752	Guard, Flywheel	305 94619	Mounting
40 221596	Retainer, Intake Valve		Shield, Cylinder
41 292260	Rotocoil, Exhaust Valve	306 224545	Screw, Sems, Cylinder Shield Mtg.
42 93630	Retainer, Exhaust Valve Rotocoil	307 94623	Cover, Cylinder Head
45 262248	Tappet-Valve	308 491490	
46 212897	Gear, Cam		
51 281170	*** Gasket, Carburetor (Carburetor to Elbow)		
52 270872	* Gasket, Carburetor (Elbow to Cylinder)		
53 94637	Stud, Carburetor Mounting		
75 224061	Washer, Spring		

\* Included in Gasket Set (494241)  
 \*\* Included in Carburetor Overhaul Kit (494384)  
 \*\*\* Included in both Carburetor Overhaul Kit (494384) and Carburetor Gasket Set (494386)

NOTE: All component dimensions given in U.S. inches  
 1 inch = 25.4 mm

# REPAIR PARTS

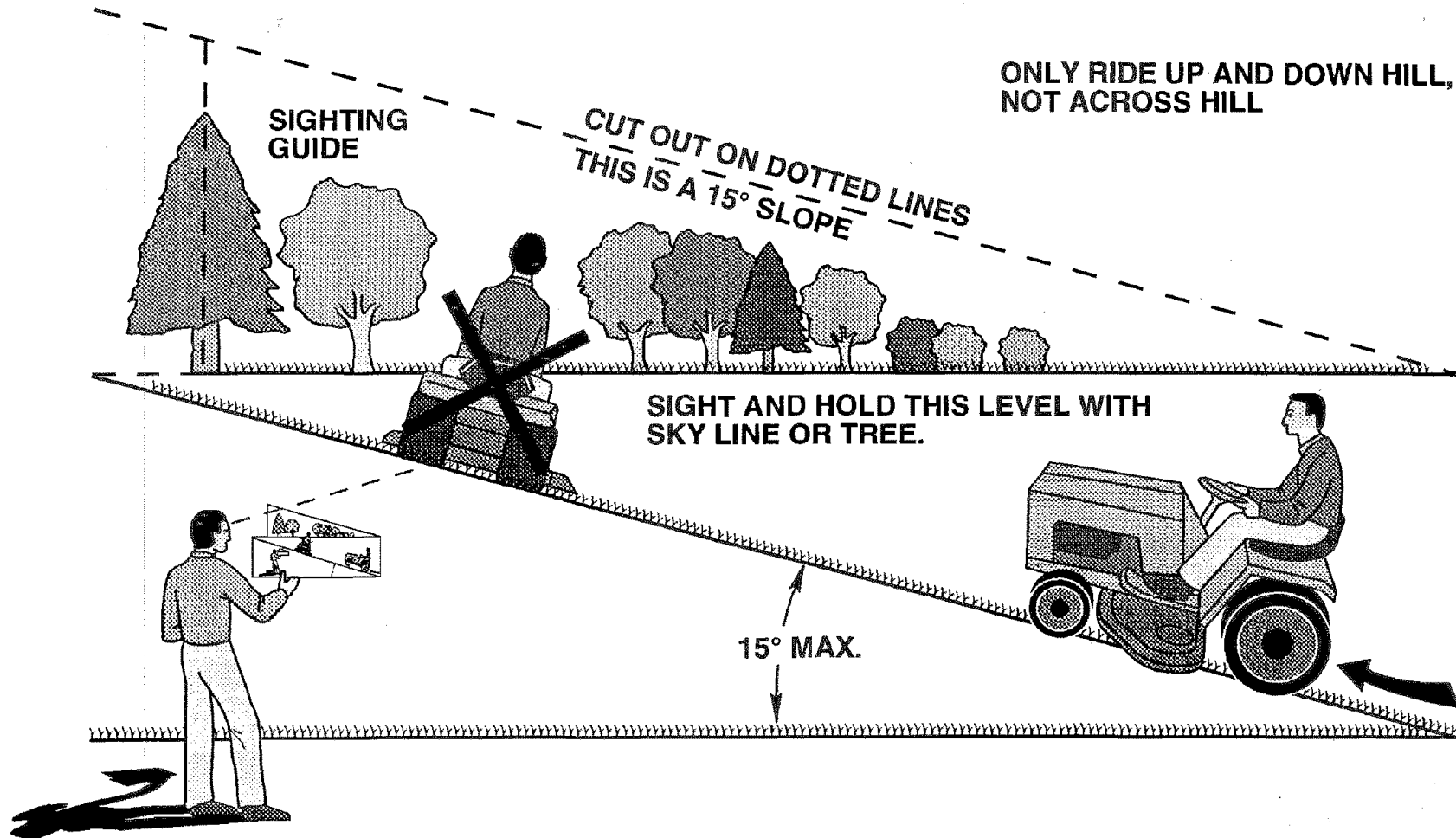
12.5 HP 42" RIDING LAWN TRACTOR - - MODEL NUMBER 917.255581

BRIGGS & STRATTON ENGINE - MODEL NUMBER 286707, TYPE NUMBER 0437-01

KEY PART NO. NO.	DESCRIPTION	KEY PART NO. NO.	DESCRIPTION
309 ---	Motor, Starting, 12 Volt (see chart on illustrated pages for replacement parts for Starting Motors)	663 94620	Screw, Hex Head
332 92284	Nut, Hex	668 280848	Spacer
333 492341	Armature, Magneto	726 392134	Gear, Ring (Includes Mounting Parts)
334 93381	Screw, Sems, Armature Mounting	727 490324	Cover, Starter (Includes Mounting Screws)
337 802592	Plug, Spark, (1-7/8" or 47 mm) (Resistor Type)	728 93535	Screw, Sems
346 93705	Screw, Hex Head	729 281159	Clip, Lead Wire
356 494328	Wire, Ground	741 262135	Gear, Timing
358 494241	Gasket Set (Includes all items marked *)	757 212359	Link, Counterweight
363 19203	Puller, Flywheel	758 399891	Counterweight Assembly
383 89838	Wrench, Spark Plug	759 298909	Pin, Counterweight
422 223721	Clamp, Oil Filler Tube	761 93875	Screw, Counterweight
423 93984	Screw, Sems	837 231109	Spacer, Muffler Mounting
445 493909	Cartridge, Air Cleaner	842 270920	Seal, Oil Filler Cap
455 222561	Cup, Screen Mounting	847 490474	Fill Group, Oil
467 493903	Knob, Air Cleaner	851 221798	Terminal, Ignition Cable
468 222562	Screen, Flush Rotating	<del>869</del> 261463	Seat, Intake Valve, Standard
474 393474	Stator, Alternator, Dual Circuit	870 210940	Seat, Exhaust Valve, Standard
482 93621	Screw, Sems	871 261961	Guide, Exhaust Valve
523 490327	Cap and Dipstick, Oil Filler	872 281104	Cover, Air Cleaner
524 68838	Seal, Filler Tube	875 494237	Body, Air Cleaner
525 280741	Tube, Oil Filler	877 393456	Diode and Connector Assembly, Dual Circuit
535 272403	Element, Air Cleaner	955 94642	** Screw, Fuel Bowl
537 281106	* O-Ring, Air Cleaner	965 94108	Locknut, Air Cleaner Mounting
552 231597	Bushing, Governor Crank, 1/4" I.D.	975 494378	Bowl Assembly, Carburetor
562 92613	Bolt, Governor Lever	977 494386	Carburetor Gasket Kit (Includes items marked ***)
592 231082	Nut, Hex #10-24	987 281166	** Seal, Throttle Shaft
601 93053	Clamp, Fuel Pipe	1005 280687	Fan, Flywheel
611 494451	Fuel Inlet Tube	1006 223726	Retainer, Fan
614 93306	Cotter, Hair Pin	1020 262243	Eccentric
615 93307	Retainer, E-Ring	1021 94160	Pin, Eccentric
618 262803	Spring, Choke Return		
634 281168	** Seal, Choke Shaft		
634A 491323	* Seal, Governor		
634B 281167	Washer, Throttle Shaft		
635 66538	Elbow, Spark Plug		
646 224486	Brace, Air Cleaner		
657 93496	Screw, Sems		

NOTE: All component dimensions given in U.S. inches  
1 inch = 25.4 mm

# SUGGESTED GUIDE FOR SIGHTING SLOPES FOR SAFE OPERATION



Operate your Tractor up and down the face of slopes (not greater than 15°), never across the face. Make turns gradually to prevent tipping or loss of control. Exercise extreme caution when changing direction on slopes.

# **SEARS**

## **OWNER'S MANUAL**

### **MODEL NO. 917.255581**

### **HOW TO ORDER REPAIR PARTS**

# **CRAFTSMAN**

## **12.5 HP I/C ELECTRIC START 3 in One Convertible 42" MOWER DECK 6 SPEED TRANSAXLE LAWN TRACTOR**

Each tractor has its own model number. Each engine has its own model number.

The model number for your tractor will be found on the model plate located under the seat.

The model number for your engine will be found on the blower housing.

All parts listed herein may be ordered from any Sears, Roebuck and Co. Service Centers and most Retail Stores.

**WHEN ORDERING REPAIR PARTS, ALWAYS GIVE THE FOLLOWING INFORMATION:**

- **PRODUCT - LAWN TRACTOR**
- **MODEL NUMBER - 917.255581**
- **ENGINE MODEL NUMBER - 286707, TYPE NUMBER 0437-01**
- **PART NUMBER**
- **PART DESCRIPTION**

Your Sears merchandise has added value when you consider Sears has service units nationwide staffed with Sears trained technicians... professional technicians specifically trained to insure that we meet our pledge to you, we service what we sell.

**Sears, Roebuck and Co., Chicago, IL 60684 U.S.A.**