

---

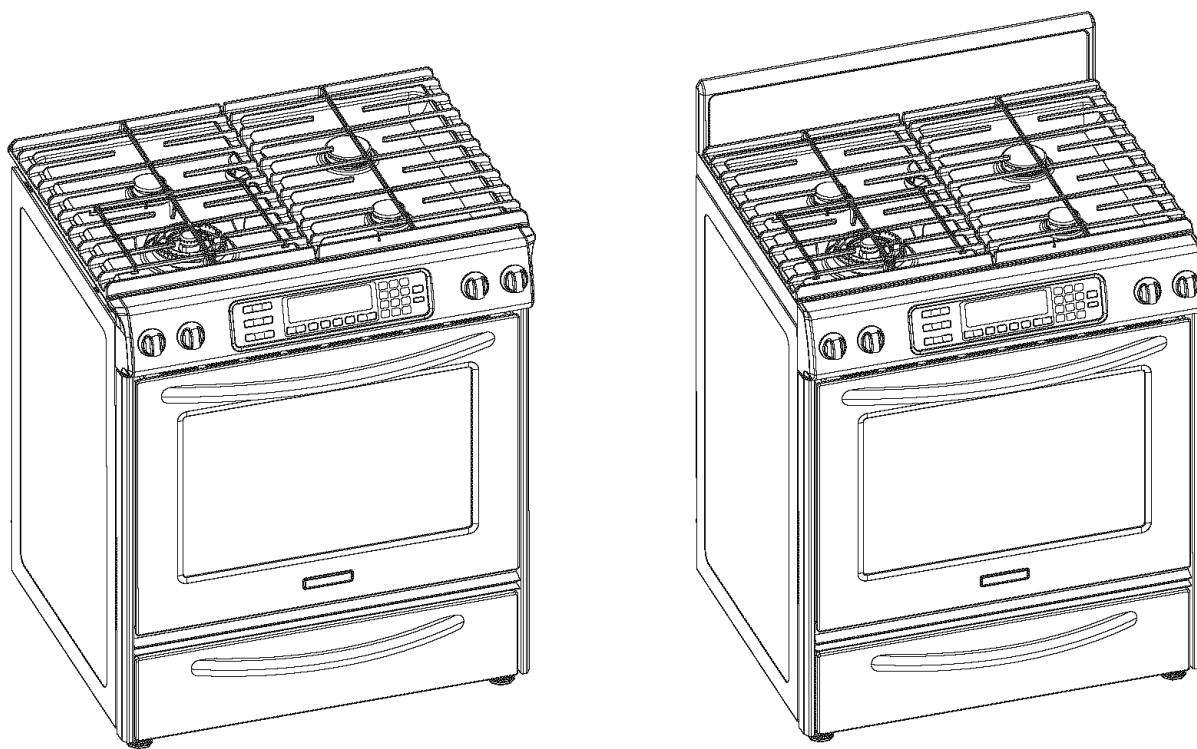
## INSTALLATION INSTRUCTIONS 30" (76.2 CM) FREESTANDING AND SLIDE-IN DUAL FUEL RANGES

---

## INSTRUCTIONS POUR L'INSTALLATION DES CUISINIÈRES AUTOPORTANTES ET ENCASTRABLES À BI-COMBUSTIBLE DE 30" (76,2 CM)

---

Table of Contents/Table des matières.....2



**IMPORTANT:**

Save for local electrical inspector's use.

**Installer:** Leave installation instructions with the homeowner.

**Homeowner:** Keep installation instructions for future reference.

**IMPORTANT :**

À conserver pour consultation par l'inspecteur local des installations électriques.

**Installateur :** Remettre les instructions d'installation au propriétaire.

**Propriétaire :** Conserver les instructions d'installation pour référence ultérieure.

# TABLE OF CONTENTS

<b>RANGE SAFETY</b> .....	<b>2</b>
<b>INSTALLATION REQUIREMENTS</b> .....	<b>4</b>
Tools and Parts .....	4
Location Requirements .....	4
Electrical Requirements - U.S.A. Only .....	7
Electrical Requirements - Canada Only .....	8
Gas Supply Requirements .....	8
Countertop Preparation .....	9
<b>INSTALLATION INSTRUCTIONS</b> .....	<b>10</b>
Unpack Range .....	10
Measure for Proper Height .....	10
Adjust Leveling Legs .....	11
Install Anti-Tip Bracket .....	11
Remove Warming Drawer .....	12
Verify Anti-Tip Bracket Location .....	12
Level Range .....	12
Electrical Connection - U.S.A. Only .....	13
Make Gas Connection .....	16
Electronic Ignition System .....	17
Replace Oven Racks and Warming Drawer .....	18
Complete Installation .....	18
<b>GAS CONVERSIONS</b> .....	<b>19</b>
LP Gas Conversion .....	19
Natural Gas Conversion .....	21
<b>ANTI-TIP BRACKET TEMPLATE</b> .....	<b>39</b>

# TABLE DES MATIÈRES

<b>SÉCURITÉ DE LA CUISINIÈRE</b> .....	<b>23</b>
<b>EXIGENCES D'INSTALLATION</b> .....	<b>24</b>
Outillage et pièces .....	24
Exigences d'emplacement .....	24
Spécifications de l'installation électrique .....	27
Spécifications de l'alimentation en gaz .....	27
Préparation du plan de travail .....	28
<b>INSTRUCTIONS D'INSTALLATION</b> .....	<b>29</b>
Déballage de la cuisinière .....	29
Mesures pour une hauteur appropriée .....	29
Réglage des pieds de nivellement .....	29
Installation de la bride antibasculement .....	30
Retrait du tiroir-réchaud .....	31
Vérification de l'emplacement de la bride antibasculement .....	31
Réglage de l'aplomb de la cuisinière .....	31
Raccordement à la canalisation de gaz .....	31
Système d'allumage électronique .....	32
Réinstallation des grilles du four et du tiroir-réchaud .....	33
Achever l'installation .....	34
<b>CONVERSIONS POUR CHANGEMENT DE GAZ</b> .....	<b>34</b>
Conversion pour l'alimentation au propane .....	34
Conversion pour l'alimentation au gaz naturel .....	37
<b>GABARIT POUR LA BRIDE ANTIBASCULEMENT</b> .....	<b>39</b>

## RANGE SAFETY

### Your safety and the safety of others are very important.

We have provided many important safety messages in this manual and on your appliance. Always read and obey all safety messages.



This is the safety alert symbol.

This symbol alerts you to potential hazards that can kill or hurt you and others.

All safety messages will follow the safety alert symbol and either the word "DANGER" or "WARNING."

These words mean:

**⚠ DANGER**

You can be killed or seriously injured if you don't immediately follow instructions.

**⚠ WARNING**

You can be killed or seriously injured if you don't follow instructions.

All safety messages will tell you what the potential hazard is, tell you how to reduce the chance of injury, and tell you what can happen if the instructions are not followed.

**WARNING:** If the information in this manual is not followed exactly, a fire or explosion may result causing property damage, personal injury or death.

- Do not store or use gasoline or other flammable vapors and liquids in the vicinity of this or any other appliance.
- **WHAT TO DO IF YOU SMELL GAS:**
  - Do not try to light any appliance.
  - Do not touch any electrical switch.
  - Do not use any phone in your building.
  - Immediately call your gas supplier from a neighbor's phone. Follow the gas supplier's instructions.
  - If you cannot reach your gas supplier, call the fire department.
- Installation and service must be performed by a qualified installer, service agency or the gas supplier.

In the State of Massachusetts, the following installation instructions apply:

- Installations and repairs must be performed by a qualified or licensed contractor, plumber, or gasfitter qualified or licensed by the State of Massachusetts.
- If using a ball valve, it shall be a T-handle type.
- A flexible gas connector, when used, must not exceed 3 feet.



## **⚠ WARNING**

### Tip Over Hazard

A child or adult can tip the range and be killed.

Connect anti-tip bracket to rear range foot.

Reconnect the anti-tip bracket, if the range is moved.

Failure to follow these instructions can result in death or serious burns to children and adults.

# INSTALLATION REQUIREMENTS

## Tools and Parts

Gather the required tools and parts before starting installation. Read and follow the instructions provided with any tools listed here.

### Tools needed

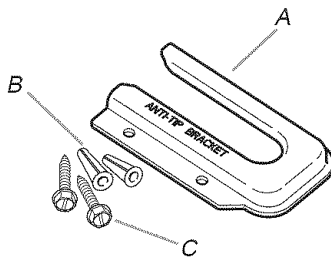
- Tape measure
- Flat-blade screwdriver
- Phillips screwdriver
- Level
- Hand or electric drill
- Hammer
- Wrench or pliers
- Pipe wrench
- 1<sup>5</sup>/<sub>16</sub>" combination wrench
- 3/8" nut driver
- 1/4" nut driver
- 1/8" (3.2 mm) drill bit (for wood floors)
- Marker or pencil
- Masking tape
- Pipe-joint compound resistant to LP gas
- 3/16" (4.8 mm) carbide-tipped masonry drill bit (for concrete/ceramic floors)
- Noncorrosive leak-detection solution

### For LP/Natural Gas Conversions

- 1/2" combination wrench
- 7 mm combination wrench
- 7 mm nut driver
- Size T20 TORX®† screwdriver

### Parts supplied

Check that all parts are included.



A. Anti-tip bracket  
B. Plastic anchors (2)  
C. #10 x 1/2" screws (2)

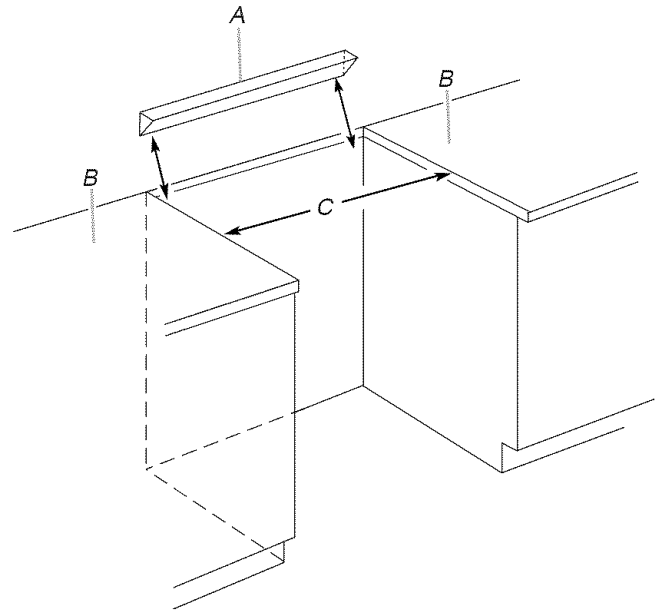
- Anti-tip brackets must be securely mounted to subfloor. Thickness of flooring may require longer screws to anchor bracket to subfloor. Longer screws are available from your local hardware store.

### Parts needed

Check local codes and consult gas supplier. Check existing gas supply and electrical supply. See "Electrical Requirements" and "Gas Supply Requirements" sections.

### Rear Filler Strip (optional)

The filler strip may be used to fill a gap between the rear of the slide-in range and the wall in a freestanding range cutout.



A. Filler strip  
B. Countertop  
C. Countertop cutout

To order, see the "Assistance or Service" section of the Use and Care Guide. Order Part Number W10113902A (black), W10113903A (white) or W10113904A (biscuit).

## Location Requirements

**IMPORTANT:** Observe all governing codes and ordinances. Do not obstruct flow of combustion and ventilation air.

- It is the installer's responsibility to comply with installation clearances specified on the model/serial rating plate. The model/serial rating plate is located inside the oven door on the right-hand side oven door trim.
- The range should be located for convenient use in the kitchen.
- Recessed installations must provide complete enclosure of the sides and rear of the range.
- To eliminate the risk of burns or fire by reaching over heated surface units, cabinet storage space located above the surface units should be avoided. If cabinet storage is to be provided, the risk can be reduced by installing a range hood or microwave hood combination that projects horizontally a minimum of 5" (12.7 cm) beyond the bottom of the cabinets.
- All openings in the wall or floor where range is to be installed must be sealed.
- Do not seal the range to the side cabinets.
- Cabinet opening dimensions that are shown must be used. Given dimensions are minimum clearances.

†®TORX is a registered trademark of Textron Innovations Inc.

- The floor anti-tip bracket must be installed. To install the anti-tip bracket shipped with the range, see “Install Anti-Tip Bracket” section.
- Grounded electrical supply is required. See “Electrical Requirements” section.
- Proper gas supply connection must be available. See “Gas Supply Requirements” section.
- Contact a qualified floor covering installer to check that the floor covering can withstand at least 200°F (93°C).
- Use an insulated pad or ¼" (0.64 cm) plywood under range if installing range over carpeting.

**IMPORTANT:** Some cabinet and building materials are not designed to withstand the heat produced by the oven for baking and self-cleaning. Check with your builder or cabinet supplier to make sure that the materials used will not discolor, delaminate or sustain other damage.

### Mobile Home - Additional Installation Requirements

The installation of this range must conform to the Manufactured Home Construction and Safety Standard, Title 24 CFR, Part 3280 (formerly the Federal Standard for Mobile Home Construction and Safety, Title 24, HUD Part 280). When such standard is not applicable, use the Standard for Manufactured Home Installations, ANSI A225.1/NFPA 501A or with local codes.

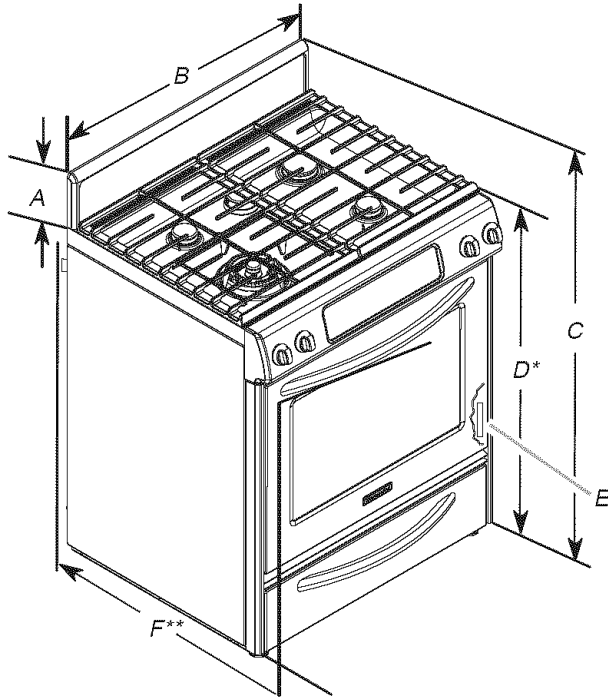
In Canada, the installation of this range must conform with the current standards CAN/CSA-A240-latest edition, or with local codes.

### Mobile home installations require:

- When this range is installed in a mobile home, it must be secured to the floor during transit. Any method of securing the range is adequate as long as it conforms to the standards listed above.
- Four-wire power supply cord or cable must be used in a mobile home installation. The appliance wiring will need to be revised. See “Electrical Connection” section.

## Product Dimensions

### Freestanding Range

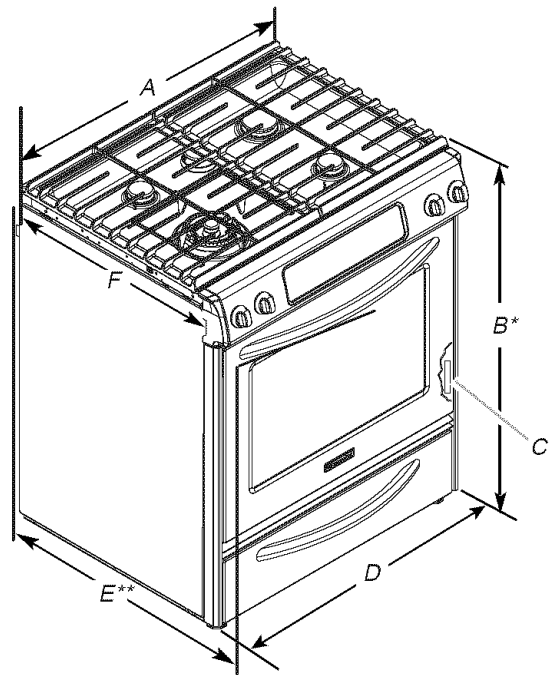


- A. 5¼" (14.6 cm)
- B. 30" (76.2 cm)
- C. 41¾" (106 cm) overall height with leveling legs screwed all the way in.
- D. 36" (91.4 cm) cooktop trim height with leveling legs screwed all the way in\*
- E. Model/serial number plate (located on the right-hand side oven door trim)
- F. 27 ¼" (69.2 cm) max. from handle to standoff at back of range\*\*

\*Range can be raised approximately 1" (2.5 cm) by adjusting the leveling legs.

\*\*When installed in a 24" (61 cm) base cabinet with 25" (63.5 cm) countertop; front of oven door protrudes 1" (2.5 cm) beyond 24" (61 cm) base cabinet.

### Slide-in Range



- A. 30⅞" (77.6 cm)
- B. 35⅞" (90.5 cm) height to underside of cooktop edge with leveling legs screwed all the way in\*
- C. Model/serial number plate (located on the right-hand side oven door trim)
- D. 30" (76.2 cm)
- E. 27¼" (69.2 cm) from handle to standoff at back of range\*\*
- F. 23" (58.4 cm) countertop notch to rear of cooktop

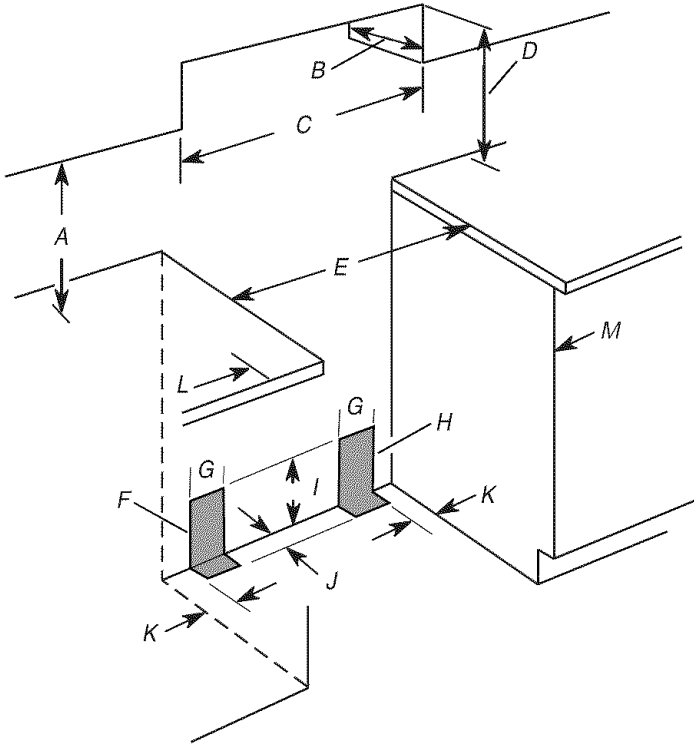
\*Range can be raised approximately 1" (2.5 cm) by adjusting the leveling legs.

\*\*When installed in a 24" (61 cm) base cabinet with 25" (63.5 cm) countertop; front of oven door protrudes 1¼" (4.4 cm) beyond 24" (61 cm) base cabinet.

## Installation Clearances

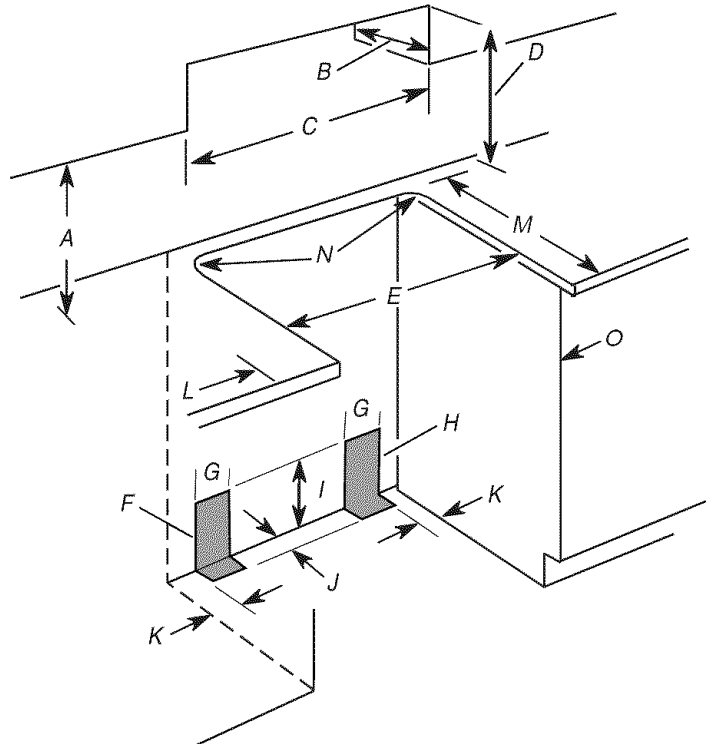
Cabinet opening dimensions shown are for 25" (64 cm) countertop depth, 24" (61 cm) base cabinet depth and 36" (91.4 cm) countertop height.

### Freestanding Ranges



- A. 18" (45.7 cm) upper cabinet to countertop
- B. 13" (33 cm) upper cabinet depth
- C. 30" (76.2 cm) min. opening width
- D. For minimum clearance to top of the cooktop, see NOTE.
- E. 30" (76.2 cm) min. opening width
- F. This shaded area recommended for installation of rigid gas pipe.
- G. 6" (15.2 cm) available area for gas and electric installation
- H. This shaded area recommended for installation of outlet or junction box.
- I. 7" (17.8 cm)
- J. 1½" (3.8 cm)
- K. 4½" (11.4 cm)
- L. 5" (12.7 cm) min. clearance from both sides of the range to the side wall or other combustible material.
- M. Cabinet door or hinge should not extend into the cutout.

### Slide-In Ranges



- A. 18" (45.7 cm) upper cabinet to countertop
- B. 13" (33 cm) max. upper cabinet depth
- C. 30" (76.2 cm) min. opening width
- D. For minimum clearance to top of the cooktop, see NOTE.
- E. 30" (76.2 cm) min. opening width
- F. This shaded area recommended for installation of rigid gas pipe.
- G. 6" (15.2 cm) available area for gas and electric installation
- H. This shaded area recommended for installation of outlet or junction box.
- I. 7" (17.8 cm)
- J. 1½" (3.8 cm)
- K. 4½" (11.4 cm)
- L. 5" (12.7 cm) min. clearance from both sides of the range to the side wall or other combustible material.
- M. 22 15/16" (58.3 cm) opening depth
- N. ¾" (1.9 cm) radius both corners
- O. Cabinet door or hinge should not extend into the cutout.

**NOTE:** 24" (61 cm) minimum when bottom of wood or metal cabinet is protected by not less than ¼" (0.64 cm) flame retardant millboard covered with not less than No. 28 MSG sheet steel, 0.015" (0.4 mm) stainless steel, 0.024" (0.6 mm) aluminum or 0.020" (0.5 mm) copper.

30" (76.2 cm) minimum clearance between the top of the cooking platform and the bottom of an unprotected wood or metal cabinet.

If installing a range hood or microwave hood combination above the range, follow the range hood or microwave hood combination installation instructions for dimensional clearances above the cooktop surface.

## Electrical Requirements - U.S.A. Only

If codes permit and a separate ground wire is used, it is recommended that a qualified electrical installer determine that the ground path is adequate and wire gauge is in accordance with local codes.

Do not use an extension cord.

Be sure that the electrical connection and wire size are adequate and in conformance with the National Electrical Code, ANSI/NFPA 70-latest edition and all local codes and ordinances.

A copy of the above code standards can be obtained from:

National Fire Protection Association  
One Batterymarch Park  
Quincy, MA 02269

**WARNING:** Improper connection of the equipment-grounding conductor can result in a risk of electric shock. Check with a qualified electrician or service technician if you are in doubt as to whether the appliance is properly grounded. Do not modify the power supply cord plug. If it will not fit the outlet, have a proper outlet installed by a qualified electrician.

This range is manufactured with the neutral terminal connected to the cabinet. Use a 3-wire, UL listed, 40-amp power supply cord (pigtail); or if local codes do not permit ground through the neutral, use a 4-wire power supply cord rated at 250 volts, 40 amps and investigated for use with ranges.

### Electrical Connection

To properly install your range, you must determine the type of electrical connection you will be using and follow the instructions provided for it here.

- Range must be connected to the proper electrical voltage and frequency as specified on the model/serial number rating plate. The model/serial rating plate is located inside the oven door on the right-hand side oven door trim. Refer to the figures in the "Product Dimensions" section of the "Location Requirements" section.
- When a 4-wire or 3-wire, single phase 120/240 volt, 60 Hz, AC only electrical supply is available, a 50-amp maximum circuit protection is required. When a 4-wire or 3-wire single phase 120/208 volt 60 Hz, AC only electrical supply is available, a 40-amp maximum circuit protection is required, fused on both sides of the line.
- A time-delay fuse or circuit breaker is recommended.
- The range can be connected directly to the fused disconnect (or circuit breaker box) through flexible or nonmetallic sheathed, copper or aluminum cable. See "Electrical Connection."
- Allow 2 to 3 ft (61.0 cm to 91.4 cm) of slack in the line so that the range can be moved if servicing is ever necessary.
- A UL listed conduit connector must be provided at each end of the power supply cable (at the range and at the junction box).
- Wire sizes and connections must conform with the rating of the range (40 amps).
- The wiring diagram is located on the underside of the storage drawer or below the warming drawer in a clear plastic bag.

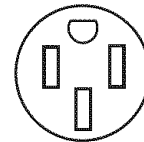
### If connecting to a 4-wire system:

This range is manufactured with the ground connected to the cabinet. The ground must be revised so the green ground wire of the 4-wire power supply cord is connected to the cabinet. See "Electrical Connection."

Grounding through the neutral conductor is prohibited for new branch-circuit installations (1996 NEC); mobile homes; and recreational vehicles, or an area where local codes prohibit grounding through the neutral conductor.

When a 4-wire receptacle of NEMA Type 14-50R is used, a matching UL listed, 4-wire, 250 volt, 40-amp, range power supply cord (pigtail) must be used. This cord contains 4 copper conductors with ring terminals or open-end spade terminals with upturned ends, terminating in a NEMA Type 14-50R plug on the supply end.

The fourth (grounding) conductor must be identified by a green or green/yellow cover and the neutral conductor by a white cover. Cord should be Type SRD or SRDT with a UL listed strain relief and be at least 4 ft (1.22 m) long.



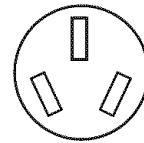
4-wire receptacle (14-50R)

The minimum conductor sized for the copper 4-wire power cord are:

- 40-amp circuit
- 2 No.-8 conductors
- 1 No.-10 white neutral
- 1 No.-8 green grounding

### If connecting to a 3-wire system:

Local codes may permit the use of a UL listed, 3-wire, 250 volt, 40-amp range power supply cord (pigtail). This cord contains 3 copper conductors with ring terminals or open-end spade terminals with upturned ends, terminating in a NEMA Type 10-50P plug on the supply end. Connectors on the appliance end must be provided at the point the power supply cord enters the appliance. This uses a 3-wire receptacle of NEMA Type 10-50R.



3-wire receptacle (10-50R)

## Electrical Requirements - Canada Only

### **⚠ WARNING**



#### Electrical Shock Hazard

Electrically ground range.

Failure to do so can result in death, fire, or electrical shock.

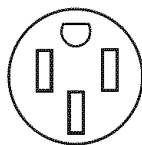
If codes permit and a separate ground wire is used, it is recommended that a qualified electrical installer determine that the ground path is adequate and wire gauge are in accordance with local codes.

Be sure that the electrical connection and wire size are adequate and in conformance with CSA Standard C22.1, Canadian Electrical Code, Part 1 - latest edition, and all local codes and ordinances.

A copy of the above code standards can be obtained from:

Canadian Standards Association  
178 Rexdale Blvd.  
Toronto, ON M9W 1R3 CANADA.

- Check with a qualified electrical installer if you are not sure the range is properly grounded.
- When a 4-wire, single phase 120/240 volt, 60 Hz., AC only electrical supply is available, a 50-amp maximum circuit protection is required (or, if specified on the model/serial rating plate, when a 4-wire, single phase 120/208 volt 60 Hz., AC only electrical supply is available, a 40-amp maximum circuit protection is required), fused on both sides of the line.
- A time-delay fuse or circuit breaker is recommended.
- This range is equipped with a CSA International Certified Power Cord intended to be plugged into a standard 14-50R wall receptacle. Be sure the wall receptacle is within reach of range's final location.



- Do not use an extension cord.

## Gas Supply Requirements

### **⚠ WARNING**



#### Explosion Hazard

Use a new CSA International approved gas supply line.

Install a shut-off valve.

Securely tighten all gas connections.

If connected to LP, have a qualified person make sure gas pressure does not exceed 14" (36 cm) water column.

Examples of a qualified person include:

licensed heating personnel,  
authorized gas company personnel, and  
authorized service personnel.

Failure to do so can result in death, explosion, or fire.

Observe all governing codes and ordinances.

**IMPORTANT:** This installation must conform with all local codes and ordinances. In the absence of local codes, installation must conform with American National Standard, National Fuel Gas Code ANSI Z223.1 - latest edition or CAN/CGA B149 - latest edition.

**IMPORTANT:** Leak testing of the range must be conducted according to the manufacturers instructions.

### Type of Gas

#### Natural gas:

This range is design-certified by CSA International for use with Natural gas or, after proper conversion, for use with LP gas.

- This range is factory set for use with Natural gas. See "Gas Conversions" section. The model/serial rating plate located on the right side oven door trim has information on the types of gas that can be used. If the types of gas listed do not include the type of gas available, check with the local gas supplier.

#### LP gas conversion:

Conversion must be done by a qualified service technician.

No attempt shall be made to convert the appliance from the gas specified on the model/serial rating plate for use with a different gas without consulting the serving gas supplier. See "Gas Conversions" section.

### Gas Supply Line

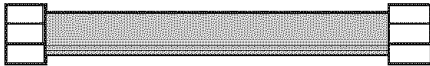
- Provide a gas supply line of ¾" (1.9 cm) rigid pipe to the range location. A smaller size pipe on longer runs may result in insufficient gas supply. Pipe-joint compounds that resist the action of LP gas must be used. Do not use TEFLON<sup>†</sup> tape. With LP gas, piping or tubing size can be ½" (1.3 cm) minimum. Usually, LP gas suppliers determine the size and materials used in the system.

<sup>†</sup>TEFLON is a registered trademark of E.I. Du Pont De Nemours and Company.



### Flexible metal appliance connector:

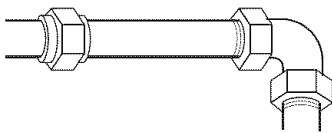
- If local codes permit, a new CSA design-certified, 4 - 5 ft (122 - 152.4 cm) long, 1/2" (1.3 cm) or 3/4" (1.9 cm) I.D., flexible metal appliance connector may be used for connecting range to the gas supply line.



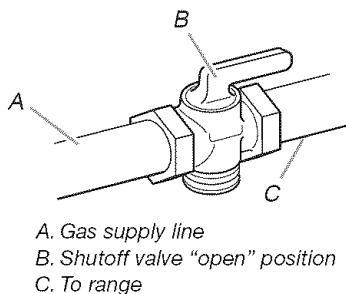
- A 1/2" (1.3 cm) male pipe thread is needed for connection to the female pipe threads of the inlet to the appliance pressure regulator.
- Do not kink or damage the flexible metal tubing when moving the range.

### Rigid pipe connection:

The rigid pipe connection requires a combination of pipe fittings to obtain an in-line connection to the range. The rigid pipe must be level with the range connection. All strains must be removed from the supply and fuel lines so range will be level and in line.



- Must include a shutoff valve:  
The supply line must be equipped with a manual shutoff valve. This valve should be located in the same room but external to the range. It should be in a location that allows ease of opening and closing. Do not block access to shutoff valve. The valve is for turning on or shutting off gas to the range.



A. Gas supply line  
B. Shutoff valve "open" position  
C. To range

### Gas Pressure Regulator

The gas pressure regulator supplied with this range must be used. The inlet pressure to the regulator should be as follows for proper operation:

#### Natural gas:

Minimum pressure: 5" WCP  
Maximum pressure: 14" WCP

#### LP gas:

Minimum pressure: 11" WCP  
Maximum pressure: 14" WCP

Contact local gas supplier if you are not sure about the inlet pressure.

### Burner Input Requirements

Input ratings shown on the model/serial rating plate are for elevations up to 2,000 ft (609.6 m).

For elevations above 2,000 ft (609.6 m), ratings are reduced at a rate of 4% for each 1,000 ft (304.8 m) above sea level (not applicable for Canada).

### Gas Supply Pressure Testing

#### Line pressure testing above 1/2 psi gauge (14" WCP)

The range and its individual shutoff valve must be disconnected from the gas supply piping system during any pressure testing of that system at test pressures in excess of 1/2 psi (3.5 kPa).

#### Line pressure testing at 1/2 psi gauge (14" WCP) or lower

The range must be isolated from the gas supply piping system by closing its individual manual shutoff valve during any pressure testing of the gas supply piping system at test pressures equal to or less than 1/2 psi (3.5 kPa).

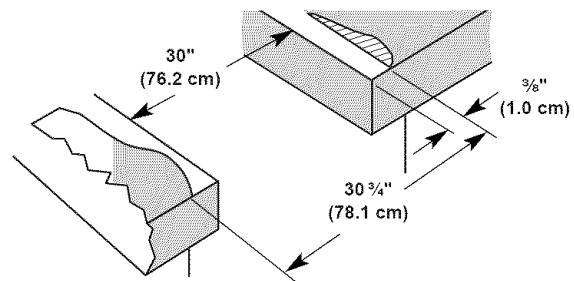
### Countertop Preparation (for Slide-in Ranges Only)

The cooktop sides of the slide-in range fit over the cutout edge of your countertop.

If you have a square finish (flat) countertop and the opening width is 30" (76.2 cm), no countertop preparation is required.

Formed front-edged countertops must have molded edge shaved flat 3/8" (1.0 cm) from each front corner of opening.

Tile countertops may need trim cut back 3/8" (1.0 cm) from each front corner and/or rounded edge flattened.



If countertop opening width is greater than 30" (76.2 cm), adjust the 3/8" (1.0 cm) dimension.

Countertop must be level. Place level on countertop, first side to side, then front to back. If countertop is not level, range will not be level. Range must be level for satisfactory baking conditions.

# INSTALLATION INSTRUCTIONS

## Unpack Range

### **⚠ WARNING**

#### **Excessive Weight Hazard**

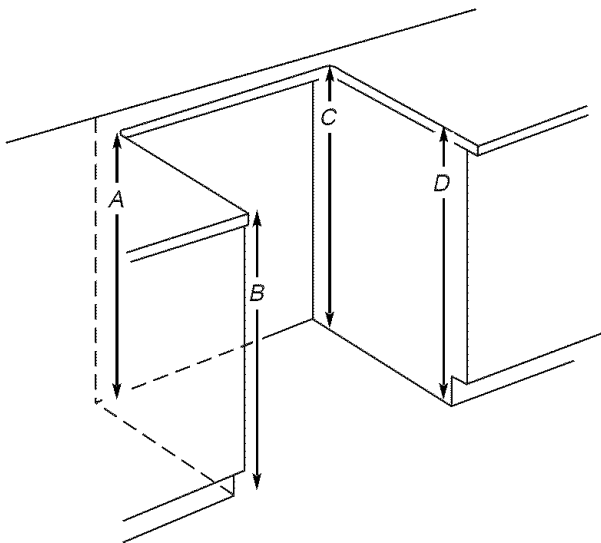
**Use two or more people to move and install range.  
Failure to do so can result in back or other injury.**

1. Remove shipping materials, tape and protective film from the range. Keep cardboard bottom under range. Remove oven racks and parts package from inside oven.
2. To place range on its back, take 4 cardboard corners from the carton. Stack one cardboard corner on top of another. Repeat with the other 2 corners. Place them lengthwise on the floor behind the range to support the range when it is laid on its back. Using 2 or more people, firmly grasp the range and gently lay it on its back on the cardboard corners.
3. Pull cardboard bottom firmly to remove.

## Measure for Proper Height

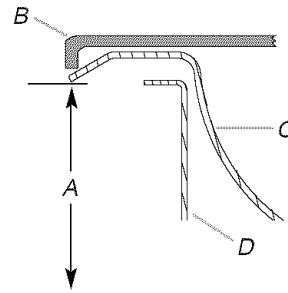
### Slide-In Ranges:

1. Measure the distance of the countertop to the floor. Measure at all 4 locations corresponding to the 4 corners of the underside of the range cooktop, as shown.



Measure at locations marked A, B, C, D.

2. Measure from the floor to the underside of the range cooktop.

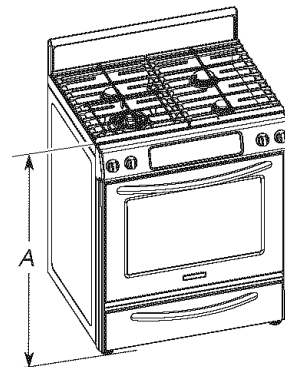


A. Distance from the floor to underside of range cooktop  
B. Grate  
C. Cooktop surface  
D. Range side frame

3. Your leveling height will be the difference between the 2 measurements you have just taken.

### Freestanding Ranges:

1. Measure the distance of the countertop to the floor.
2. Measure from the top of the range cooktop trim to the floor.



A. Distance from the top of the range cooktop trim to the floor

3. Your leveling height will be the difference between the 2 measurements you have just taken.

## Adjust Leveling Legs

1. If range height adjustment is necessary, use a wrench or pliers to loosen the 4 leveling legs.

This may be done with the range on its back or with the range supported on 2 legs after the range has been placed back to a standing position.

**NOTE:** To place range back up into a standing position, put a sheet of cardboard or hardboard in front of range. Using 2 or more people, stand range back up onto the cardboard or hardboard.

### **⚠ WARNING**



#### Tip Over Hazard

A child or adult can tip the range and be killed.

Connect anti-tip bracket to rear range foot.

Reconnect the anti-tip bracket, if the range is moved.

Failure to follow these instructions can result in death or serious burns to children and adults.

2. Adjust the leveling legs to the correct height. Leveling legs can be loosened to add up to a maximum of 1" (2.5 cm). A minimum of  $\frac{3}{16}$ " (5 mm) is needed to engage the anti-tip bracket.  
**NOTE:** If height adjustment is made when range is standing, tilt the range back to adjust the front legs, then tilt forward to adjust the rear legs.
3. When the range is at the correct height, check that there is adequate clearance under the range for the anti-tip bracket. Before sliding range into its final location, check that the anti-tip bracket will slide under the range and onto the rear leveling leg prior to anti-tip bracket installation.

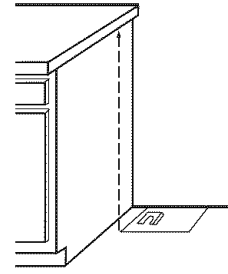
## Install Anti-Tip Bracket

Contact a qualified floor covering installer for the best procedure for drilling mounting holes through your type of floor covering.

Before moving range, slide range onto shipping base, cardboard or hardboard.

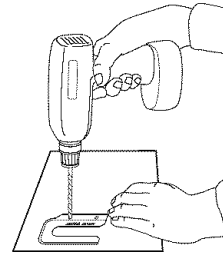
1. Remove template from the anti-tip bracket kit (found inside the oven cavity) or from the back of this manual.
2. Place template on the floor in cabinet opening so that the left edge is against cabinet and top edge is against rear wall, molding or cabinet.
3. Tape template into place.

4. If countertop is not flush with cabinet opening edge, align template with overhang.



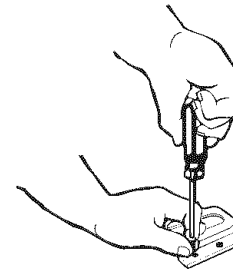
If cabinet opening is wider than that specified in the "Location Requirements" section, adjust template so range will be centered in cabinet opening.

5. To mount anti-tip bracket to wood floor, drill two  $\frac{1}{8}$ " (3.2 mm) holes at the positions marked on the bracket template. Remove template from floor.



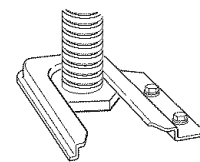
To mount anti-tip bracket to concrete or ceramic floor, use a  $\frac{3}{16}$ " (4.8 mm) masonry drill bit to drill 2 holes at the positions marked on the bracket template. Remove template from floor.

6. Tap plastic anchors into holes with a hammer.
7. Align anti-tip bracket holes with holes in floor. Fasten anti-tip bracket with screws provided.



Depending on the thickness of your flooring, longer screws may be necessary to anchor the bracket to the subfloor. Longer screws are available from your local hardware store.

8. Move range close enough to opening to allow for final electrical connection. Remove shipping base, cardboard or hardboard from under range.
9. Move range into its final location making sure rear leveling leg slides into anti-tip bracket.



10. If installing the range in a mobile home, you must secure the range to the floor. Any method of securing the range is adequate as long as it conforms to the standards in the "Location Requirements" section.
11. Continue installing your range using the following installation instructions.

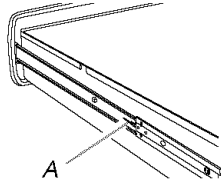
---

## Remove Warming Drawer

Remove the warming or storage drawer to gain access to the lower section of the range. This will be necessary for some of the following installation steps.

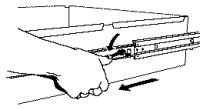
### To Remove Warming Drawer:

1. Open drawer to its fully open position.
2. Locate the black loops on both sides of the drawer.



A. Loop

3. Pull both loops forward at the same time, then pull drawer out another inch.



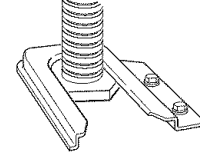
4. Holding the drawer by its sides, not its front, gently pull it all the way out.

---

## Verify Anti-Tip Bracket Location

**IMPORTANT:** On models with a warming drawer, the rear range foot must be viewed from the front and slightly to one side of the range.

1. Making sure the anti-tip bracket is installed:
  - Look for the anti-tip bracket securely attached to floor.
  - Slide range back so rear range foot is under anti-tip bracket.

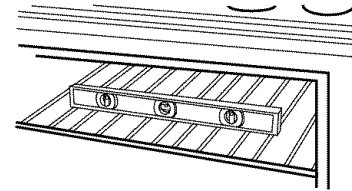


2. If installing the range in a mobile home, you must secure the range to the floor. Any method of securing the range is adequate as long as it conforms to the standards in the "Location Requirements" section.

---

## Level Range

Place rack in oven. Place level on rack and check levelness of the range, first side to side; then front to back.



If range is not level, pull range forward until rear leveling leg is removed from the anti-tip bracket.

Use a wrench or pliers to adjust leveling legs up or down until the range is level. Push range back into position. Check that rear leveling leg is engaged in the anti-tip bracket.

**NOTE:** Range must be level for satisfactory baking performance.

**Power Supply Cord**

**⚠ WARNING**



**Electrical Shock Hazard**

Disconnect power before servicing.  
 Use a new 40 amp power supply cord.  
 Plug into a grounded outlet.  
 Failure to follow these instructions can result in death, fire, or electrical shock.

**Direct Wire**

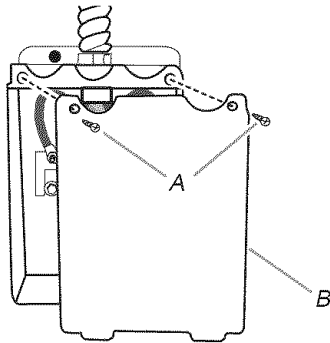
**⚠ WARNING**



**Electrical Shock Hazard**

Disconnect power before servicing.  
 Use 8 gauge copper or 6 gauge aluminum wire.  
 Electrically ground range.  
 Failure to follow these instructions can result in death, fire, or electrical shock.

1. Disconnect power.
2. Remove the terminal block cover screws located on the back of the range. Pull cover down and toward you to remove cover.

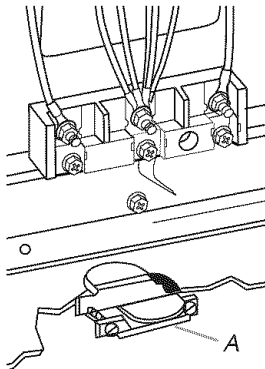


A. Hold-down screws  
 B. Terminal block cover

3. Add strain relief.

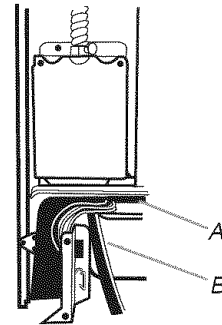
**Style 1: Power supply cord strain relief**

- Remove the knockout for the 40-amp supply cord.
- Assemble a UL listed strain relief in the opening.



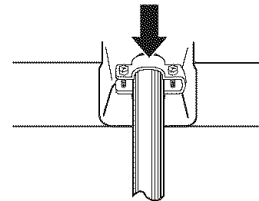
A. UL listed strain relief

- Feed the power supply cord behind the black horizontal cross brace and through the strain relief, allowing enough slack to easily attach the wiring to the terminal block.



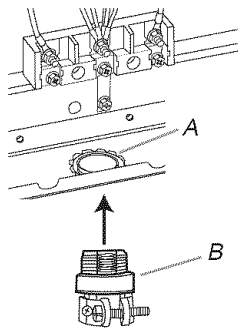
A. Black horizontal cross brace  
 B. Power supply cord

- Tighten strain relief screw against the power supply cord.



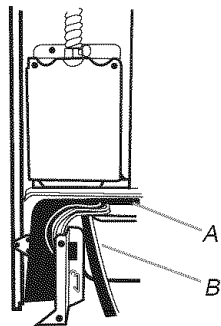
Style 2: Direct wire strain relief

- Remove the knockout as needed for the flexible conduit connection.
- Assemble a UL listed conduit connector in the opening.



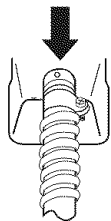
A. Removable retaining nut  
B. Strain relief

- Feed the flexible conduit behind the black horizontal cross brace and through the strain relief, allowing enough slack to easily attach the wiring to the terminal block.



A. Black horizontal cross brace  
B. Flexible conduit

- Tighten strain relief screw against the flexible conduit.



4. Complete installation following instructions for your type of electrical connection:

**4-wire** (recommended)

**3-wire** (if 4-wire is not available)

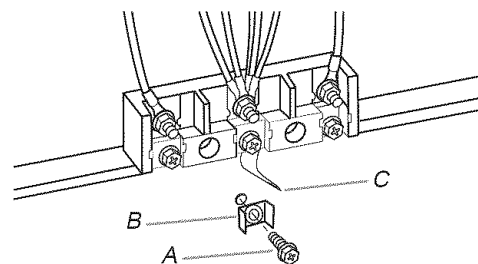
**Electrical Connection Options**

If your home has:	And you will be connecting to:	Go to Section:
4-wire receptacle (NEMA type 14-50R)	A UL listed, 250-volt minimum, 40-amp, range power supply cord	4-wire connection: Power supply cord
4-wire direct	A fused disconnect or circuit breaker box	4-wire connection: Direct wire
3-wire receptacle (NEMA type 10-50R)	A UL listed, 250-volt minimum, 40-amp, range power supply cord	3-wire connection: Power supply cord
3-wire direct	A fused disconnect or circuit breaker box	3-wire connection: Direct wire

**4-wire connection: Power Supply Cord**

Use this method for:

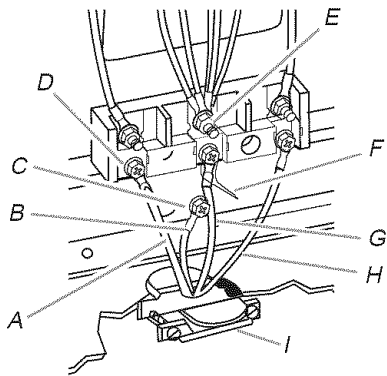
- New branch-circuit installations (1996 NEC)
  - Mobile homes
  - Recreational vehicles
  - In an area where local codes prohibit grounding through the neutral
- Remove the ground-link screw from the range frame. Save the ground link screw and cup washer. Bend the ground-link away from the range so that it does not contact the range.



A. Ground-link screw  
B. Cup washer  
C. Ground-link bent away from range

- Connect the green ground wire from the power supply cord to the range using the ground-link screw. The ground wire must be attached first and must not contact any other terminal.
- Use a 1/4" nut driver and remove the hex washer head screws from the terminal blocks.

- Connect the neutral (center) wire to the center terminal connector using one of the hex washer head screws. Securely tighten screw for proper electrical connection.



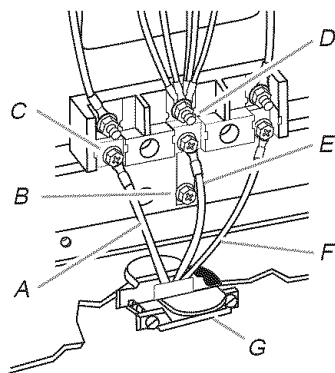
- |  |   |
|--|---|
| A. Line 1                              | F. Ground-link  |
| B. Green ground wire                   | G. Neutral (center) wire                                      |
| C. Ground-link screw                   | H. Line 2   |
| D. Hex washer head screw               | I. UL listed strain relief and 40-amp range power supply cord |
| E. Silver-colored terminal block screw |   |

- Connect the other 2 wires (lines 1 and 2) to the outer aluminum terminal blocks.
- Securely tighten screws for proper electrical connection.
- Tighten strain relief screws.
- Replace terminal block cover.

### 3-wire connection: Power Supply Cord

Use this method only if local codes permit connecting cabinet-ground conductor to neutral wire of power supply cord.

- Use a 1/4" nut driver and remove the hex washer head screws from the aluminum terminal blocks.
- Connect the neutral (center) wire to the center terminal connector using one of the hex washer head screws. Securely tighten screw for proper electrical connection.



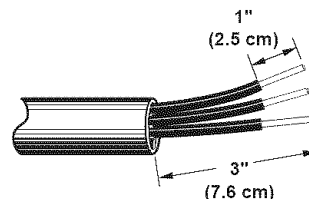
- |  |   |
|--|---|
| A. Line 1                              | E. Neutral (center) wire                                      |
| B. Ground-link                         | F. Line 2   |
| C. Hex washer head screw               | G. UL listed strain relief and 40-amp range power supply cord |
| D. Silver-colored terminal block screw |   |

- Connect the other 2 wires (lines 1 and 2) to the outer terminal screws on the terminal block.
- Tighten strain relief screws.
- Replace terminal block cover.

### Direct Wire Installation: Copper or Aluminum Wire

This range may be connected directly to the fuse disconnect or circuit breaker box. Depending on your electrical supply, make the required 3-wire or 4-wire connection.

- Strip outer covering back 3" (7.6 cm) to expose wires. Strip the insulation back 1" (2.5 cm) from the end of each wire.

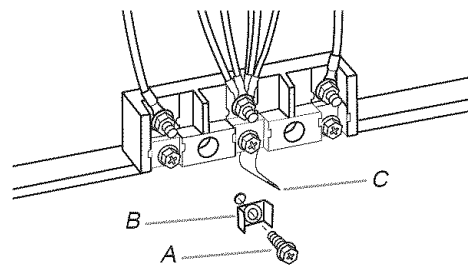


- Allow enough slack in the wire to easily attach the wiring terminal block.
- Complete electrical connection according to your type of electrical supply (4-wire or 3-wire connection).

### 4-wire Connection: Direct Wire

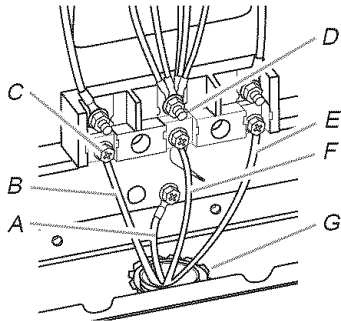
Use this method for:

- New branch-circuit installations (1996 NEC)
  - Mobile homes
  - Recreational vehicles
  - In an area where local codes prohibit grounding through the neutral
- Remove the ground-link screw from the range frame. Save the ground-link screw and cup washer. Bend the ground-link away from the range.



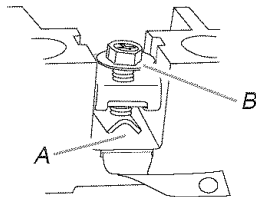
- |                                     |
|-------------------------------------|
| A. Ground-link screw                |
| B. Cup washer                       |
| C. Ground-link bent away from range |

2. Connect the bare ground wire to the range using the ground-link screw and cup washer. The ground wire must be attached first and must not contact any other terminal.



- |  |   |
|--|---|
| A. Bare wire from power supply cable   | E. Line 2   |
| B. Line 1                              | F. Neutral (white) wire                               |
| C. Hex washer head screw               | G. UL listed conduit connector and power supply cable |
| D. Silver-colored terminal block screw |   |

3. Loosen (do not remove) the hex washer head screw and insert the neutral (white) wire under the screw clamp at the bottom of the center position terminal connector.
4. Insert the other 2 wires (lines 1 and 2) under the other 2 screw clamps.



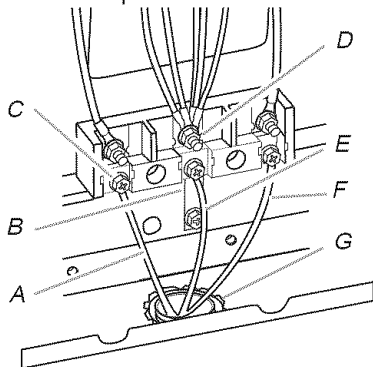
- A. Insert wire under screw clamp.  
B. Hex washer head screw

5. Securely tighten the hex washer head screws to 35 lbs-in. (4.0 N-m) minimum torque to make proper electrical connection.
6. Tighten the locking ring of the conduit connector.
7. Replace the terminal block cover.

### 3-wire connection: Direct Wire

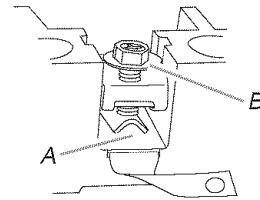
Use this method only if local codes permit connecting ground conductor to neutral supply wire.

1. Loosen (do not remove) the hex washer head screws and insert the neutral (white) wire under the screw clamp at the bottom of the center position terminal connector.



- |  |   |
|--|---|
| A. Line 1                              | E. Neutral (white) wire                               |
| B. Ground-link                         | F. Line 2   |
| C. Hex washer head screw               | G. UL listed conduit connector and power supply cable |
| D. Silver-colored terminal block screw |   |

2. Insert the other 2 wires (lines 1 and 2) under the other 2 screw clamps.



- A. Insert wire under screw clamp.  
B. Hex washer head screw

3. Securely tighten the hex washer head screws to 35 lbs-in. (4.0 N-m) minimum torque to make a proper electrical connection.
4. Tighten the locking ring of the conduit connector.
5. Replace the terminal block cover.

## Make Gas Connection

### ⚠ WARNING



#### Explosion Hazard

Use a new CSA International approved gas supply line.  
Install a shut-off valve.

Securely tighten all gas connections.

If connected to LP, have a qualified person make sure gas pressure does not exceed 14" (36 cm) water column.

Examples of a qualified person include:  
licensed heating personnel,  
authorized gas company personnel, and  
authorized service personnel.

Failure to do so can result in death, explosion, or fire.

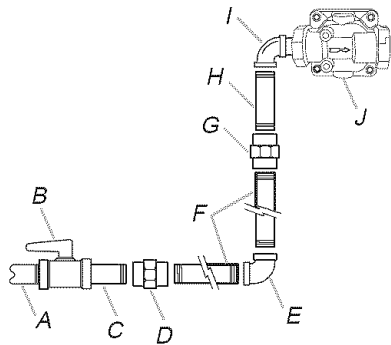
#### Typical rigid pipe connection

A combination of pipe fittings must be used to connect the range to the existing gas line. Your connections may be different, according to the supply line type, size and location.

1. Apply pipe-joint compound made for use with LP gas to all pipe thread connections.



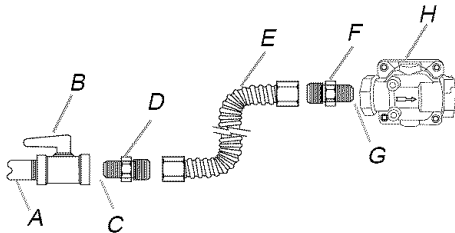
- Using a pipe wrench to tighten, connect the gas supply to the range.



- A.  $\frac{1}{2}$ " or  $\frac{3}{4}$ " gas pipe  
 B. Manual gas shutoff valve  
 C. Nipple  
 D. Union  
 E. 90° elbow  
 F. Black iron pipe  
 G. Union  
 H. Nipple  
 I. 90° elbow (must have  $\frac{1}{2}$ " male pipe thread)  
 J. Gas pressure regulator

### Typical flexible connection

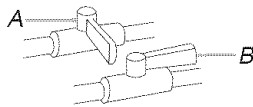
- Apply pipe-joint compound made for use with LP gas to the smaller thread ends of the flexible connector adapters (see C and G in the following illustration).
- Attach one adapter to the gas pressure regulator and the other adapter to the gas shutoff valve. Tighten both adapters.
- Use a  $\frac{15}{16}$ " combination wrench and channel lock pliers to attach the flexible connector to the adapters. Check that connector is not kinked.



- A.  $\frac{1}{2}$ " or  $\frac{3}{4}$ " gas pipe  
 B. Manual gas shutoff valve  
 C. Use pipe-joint compound.  
 D. Adapter  
 E. Flexible connector  
 F. Adapter (must have  $\frac{1}{2}$ " male pipe thread)  
 G. Use pipe-joint compound.  
 H. Gas pressure regulator

### Complete Connection

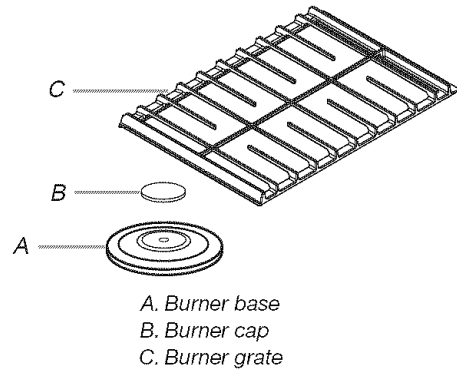
- Open the manual shutoff valve in the gas supply line. The valve is open when the handle is parallel to the gas pipe.



- A. Closed valve  
 B. Open valve

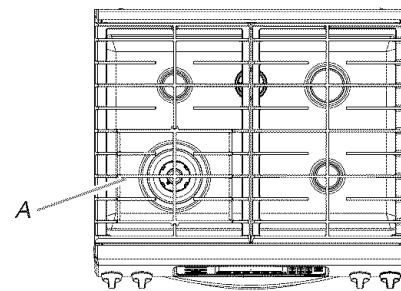
- Test all connections by brushing on an approved noncorrosive leak-detection solution. If bubbles appear, a leak is indicated. Correct any leak found.
- Remove cooktop burner caps and grates from parts package. Align notches in burner caps with pins in burner base. Burner caps should be level when properly positioned.

If burner caps are not properly positioned, surface burners will not light.



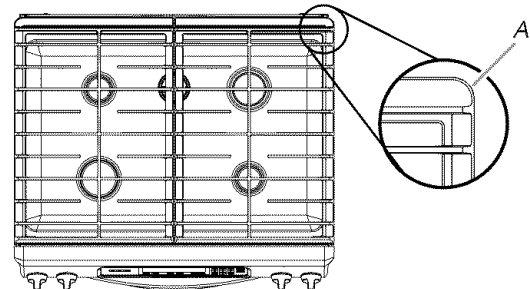
- Place burner grates over burners and caps as shown in the following illustration. When properly installed the grates should not overlap the console.

### Freestanding Ranges



- A. Opening in grate for wok insert to be located over left front burner.

### Slide-In Ranges



- A. Large flange with rounded corner must be at rear corner of the cooktop

- Plug in range or reconnect power. "Clock-Enter Time" should appear in the display. For further information, please refer to the user instructions located in the Use and Care Guide.

## Electronic Ignition System

### Initial lighting and gas flame adjustments

Cooktop burners use electronic igniters in place of standing pilots. When the cooktop control knob is turned to the "LITE" position, the system creates a spark to light the burner. This sparking continues, as long as the control knob is turned to "LITE."

### Check Operation of Cooktop Burners

#### Standard Surface Burners

Push in and turn each control knob to the "LITE" position. The flame should light within 4 seconds. The first time a burner is lit it may take longer than 4 seconds to light because of air in the gas line.

## TripleTier® Flame Burner

### To start simmer burner:

Push in and turn control knob to "LITE."

The flame should light within 4 seconds. The first time a burner is lit it may take longer than 4 seconds to light because of air in the gas line.

### To start power burner:

Push in control knob again and turn to "POWER BURNER HI" to light the outer burner.

The flame should light within 4 seconds. The first time a burner is lit it may take longer than 4 seconds to light because of air in the gas line.

### If burners do not light properly:

- Turn cooktop control knob to the "OFF" position.
- Check that the range is plugged in and the circuit breaker has not tripped or the household fuse has not blown.
- Check that the gas shutoff valves are set to the "open" position.
- Check that burner caps are properly positioned on burner bases.

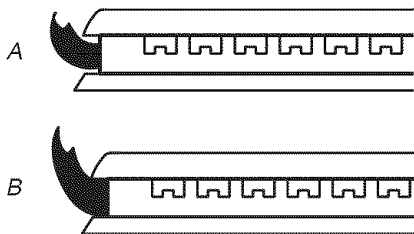
Repeat start-up. If a burner does not light at this point, turn control knobs to "Off" and contact your dealer or authorized service company for assistance.

---

## Adjust Flame Height

---

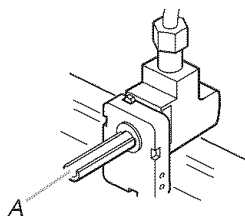
Adjust the height of top burner flames. The cooktop "low" burner flame should be a steady blue flame approximately ¼" (0.64 cm) high.



A. Low flame  
B. High flame

### To adjust standard burners:

The flame can be adjusted using the adjustment screw in the center of the valve stem. The valve stem is located directly underneath the control knob.



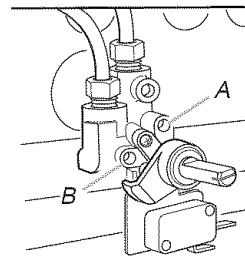
A. Valve stem

### If the "low" flame needs to be adjusted:

1. Remove the control knob.
2. Hold the knob stem with a pair of pliers. Use a small flat-blade screwdriver to turn the screw located in the center of the control knob stem until the flame is the proper size.
3. Replace the control knob.
4. Test the flame by turning the control from "LO" to "HI," checking the flame at each setting.

### To adjust TripleTier® Flame burner:

1. Remove the control knob.
2. Insert a flat-blade screwdriver into adjustment locations shown in the following illustration and engage the slotted screw. Turn the screw until the flame is the proper size.



A. Simmer burner regulation  
B. Power burner regulation

3. Replace the control knob.
4. Test the flame by turning the control from "LO" to "HI," checking the flame at each setting.

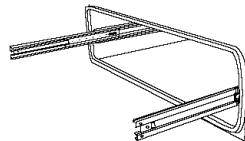
---

## Replace Oven Racks and Warming Drawer

Replace oven racks in oven cavity. Replace warming drawer or storage drawer.

### To Replace Warming Drawer:

1. Align the drawer glides with the receiving guides.



2. Push drawer in all the way.

Gently open and close the drawer to ensure it is seated properly on the slides.

---

## Complete Installation

1. Check that all parts are now installed. If there is an extra part, go back through the steps to see which step was skipped.
2. Check that you have all of your tools.
3. Dispose of/recycle all packaging materials.
4. Check that range level. See "Level Range."
5. Use a mild solution of liquid household cleaner and warm water to remove waxy residue caused by protective shipping material. Dry thoroughly with a soft cloth. For more information, see the "Range Care" section of the Use and Care Guide.
6. Read "Range Use" in the Use and Care Guide.
7. Turn on surface burners and oven. See the Use and Care Guide for specific instruction on range operation.

**If range does not operate, check the following:**

- Household fuse is intact and tight, or circuit breaker has not tripped.
- Gas valves are turned to the “open” position.
- If the gas supply line shutoff valve is open, press the OFF button on the oven control panel and contact a qualified technician.

- Electrical supply is connected.
- See “Troubleshooting” in the Use and Care Guide.

When the range has been on for 5 minutes, check for heat. If range is cold, turn off the range and contact a qualified technician.

## GAS CONVERSIONS

Gas conversions from Natural gas to LP gas; or from LP gas to Natural gas must be done by a qualified installer.

### **⚠ WARNING**



#### **Explosion Hazard**

Use a new CSA International approved gas supply line.

Install a shut-off valve.

Securely tighten all gas connections.

If connected to LP, have a qualified person make sure gas pressure does not exceed 14" (36 cm) water column.

Examples of a qualified person include:  
licensed heating personnel,  
authorized gas company personnel, and  
authorized service personnel.

Failure to do so can result in death, explosion, or fire.

### LP Gas Conversion

### **⚠ WARNING**



#### **Tip Over Hazard**

A child or adult can tip the range and be killed.

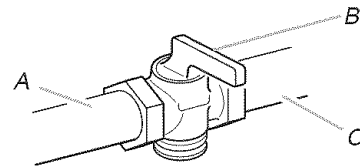
Connect anti-tip bracket to rear range foot.

Reconnect the anti-tip bracket, if the range is moved.

Failure to follow these instructions can result in death or serious burns to children and adults.

### **To Convert Gas Pressure Regulator**

1. Turn manual shutoff valve to the “closed” position.
2. Unplug range or disconnect power.

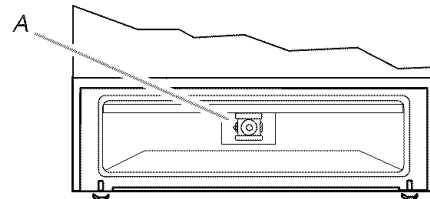


A. To range

B. Manual shutoff valve “closed” position

C. Gas supply line

3. Remove warming drawer. See the “Remove Warming Drawer” section for instructions. Locate gas pressure regulator at rear of warming drawer compartment.
4. Remove access cover from the gas pressure regulator.



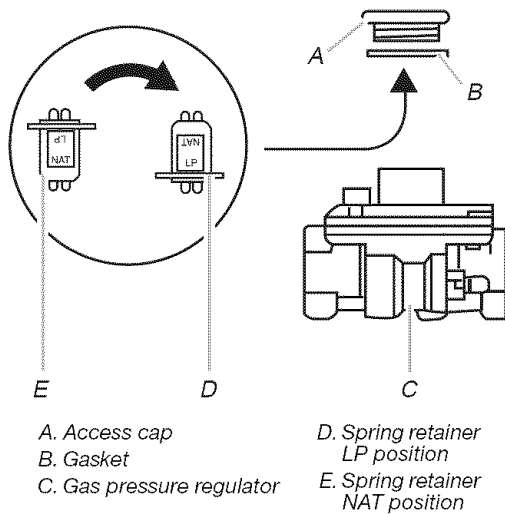
A. Gas pressure regulator

**IMPORTANT:** Do not remove the gas pressure regulator.

#### **Gas pressure regulator**

5. Remove the access cap by using a wrench, turning the access cap counterclockwise.
6. Remove spring retainer from the cap by pushing against the flat side of the spring retainer. Look at the spring retainer to locate the “NAT” or “LP” position.
7. Turn over the spring retainer so the “LP” is showing on the bottom.
8. Snap the spring retainer back into the cap.

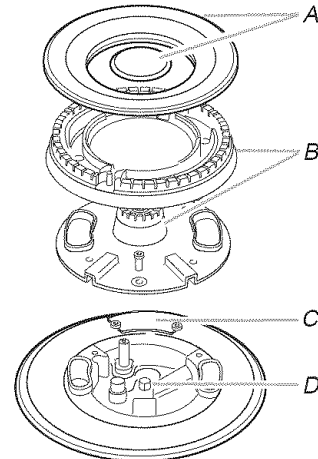
- Reinstall the cap onto the regulator.



- Place Natural gas orifice spuds in plastic parts bag for future use and keep with literature package.
- Replace burner cap.
- Repeat steps 1-6 for the remaining burners, except for the TripleTier® Flame burner (on some models). See "To Convert TripleTier® Flame Burners" section.

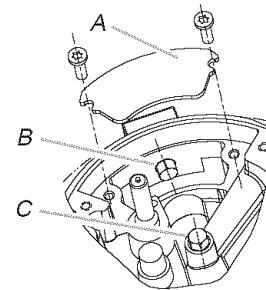
### To Convert TripleTier® Flame Burners (on some models)

- Remove burner cap.
- Remove the burner head using a size T20 TORX® screwdriver.
- Remove the plate on the external gas orifice spud.



A. Burner caps  
B. Burner heads  
C. External gas orifice spud access plate  
D. Internal gas orifice spud

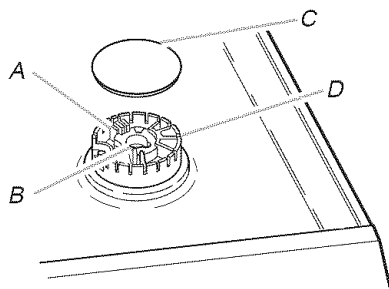
**IMPORTANT:** The TripleTier® Flame burner has 2 gas orifice spuds. Do not forget to change the external gas orifice spud located under the plate.



A. Plate  
B. External gas orifice spud  
C. Internal gas orifice spud

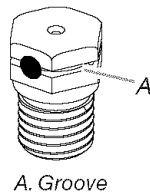
### To Convert Standard Surface Burners

- Remove burner cap.
- Using a T20 TORX® screwdriver, remove the burner base.
- Apply masking tape to the end of a 7 mm nut driver to help hold the gas orifice spud in the nut driver while changing it. Press nut driver down onto the gas orifice spud and remove by turning it counterclockwise and lifting out. Set gas orifice spud aside.



A. Igniter electrode  
B. Gas tube opening  
C. Burner cap  
D. Burner base

- Gas orifice spuds are stamped with a number, marked with 1 color dot, and have a groove in the hex area. Replace the Natural gas orifice spud with the correct LP gas orifice spud.



Refer to the following chart for correct LP gas orifice spud placement.

### LP Gas Orifice Spud Chart for Standard Surface Burners

Burner Location	Burner Rating	Color	Size
Right front	5,000 Btu/h	Red	0.70 mm
Left front	13,000 Btu/h	Green	1.10 mm
Right rear	10,000 Btu/h	Blue	0.95 mm
Left rear	5,000 Btu/h	Red	0.70 mm

- Apply masking tape to the end of a 7 mm nut driver to help hold the internal gas orifice spud in the nut driver while changing it. Press nut driver down onto the internal gas orifice spud and remove by turning it counterclockwise and lifting out. Set internal gas orifice spud aside.
- Use a 7 mm combination wrench to remove the external gas orifice spud. Turn counterclockwise to remove. Set external gas orifice spud aside.
- Replace the Natural gas orifice spud with the correct LP gas orifice spud. Refer to the following chart for correct LP gas orifice spud placement.

## LP Gas Orifice Spud Chart for TripleTier® Flame Burners

Burner Location	Burner Rating	Color	Size
Left front (external TripleTier® burner)	11,800 Btu/h	Brown	1.00 mm
Left front (internal TripleTier® burner)	2,200 Btu/h	Orange	0.42 mm

- Replace burner plate, head and cap.
- Place Natural gas orifice spuds in plastic parts bag for future use and keep with literature package.
- Reinstall the warming drawer. See the “Replace Oven Racks and Warming Drawer” section for instructions.
- Complete installation. See “Make Gas Connection” and “Electronic Ignition System” sections.

Checking for proper cooktop burner flames is very important. The small inner cone should have a very distinct blue flame ¼" (0.6 cm) to ½" (1.3 cm) long. The outer cone is not as distinct as the inner cone. LP gas flames have a slightly yellow tip.

**IMPORTANT:** You may have to adjust the “LO” setting for each cooktop burner.

## Natural Gas Conversion

### ⚠ WARNING



#### Tip Over Hazard

A child or adult can tip the range and be killed.

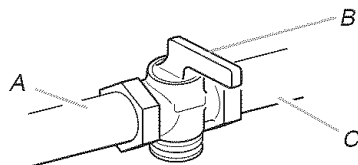
Connect anti-tip bracket to rear range foot.

Reconnect the anti-tip bracket, if the range is moved.

Failure to follow these instructions can result in death or serious burns to children and adults.

### To Convert Gas Pressure Regulator

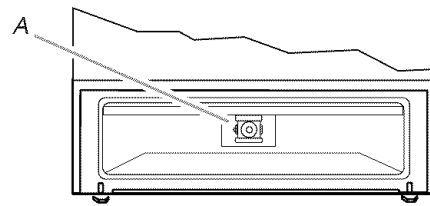
- Turn manual shutoff valve to the “closed” position.
- Unplug range or disconnect power



A. To range  
B. Manual shutoff valve “closed” position  
C. Gas supply line

- Remove warming drawer. See the “Remove Warming Drawer” section for instructions. Locate gas pressure regulator at rear of warming drawer compartment.

- Remove access cover from the gas pressure regulator.

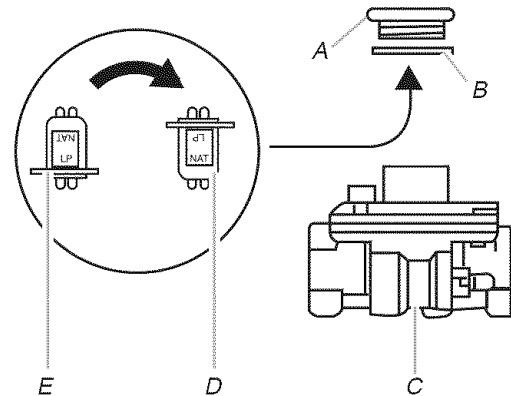


A. Gas pressure regulator

**IMPORTANT:** Do not remove the gas pressure regulator.

### Gas pressure regulator

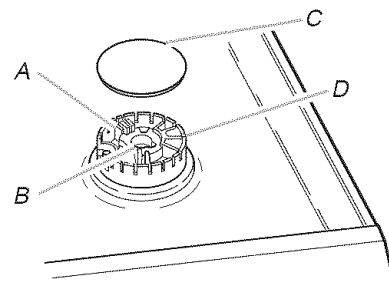
- Remove the access cap by using a wrench, turning the access cap counterclockwise.
- Remove spring retainer from the cap by pushing against the flat side of the spring retainer. Look at the spring retainer to locate the “LP” or “NAT” position.
- Turn over the spring retainer so the “NAT” is showing on the bottom.
- Snap the spring retainer back into the cap.
- Reinstall the cap onto the regulator.



A. Access cap  
B. Gasket  
C. Gas pressure regulator  
D. Spring retainer NAT position  
E. Spring retainer LP position

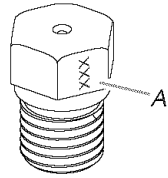
### To Convert Standard Surface Burners

- Remove burner cap.
- Using a T20 TORX® screwdriver, remove the burner base.
- Apply masking tape to the end of a 7 mm nut driver to help hold the gas orifice spud in the nut driver while changing it. Press nut driver down onto the gas orifice spud and remove by turning it counterclockwise and lifting out, set gas orifice spud aside.



A. Igniter electrode  
B. Gas tube opening  
C. Burner cap  
D. Burner base

- Gas orifice spuds are stamped with a number on the side. Replace the LP gas orifice spud with the correct Natural gas orifice spud.



A. Stamped number

Refer to the following chart for the correct Natural gas orifice spud placement.

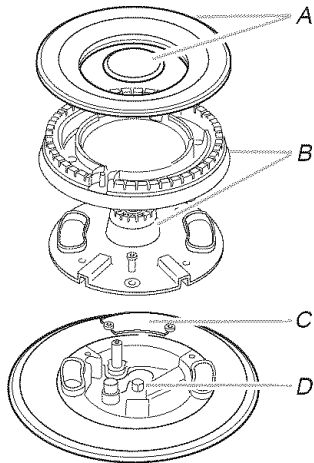
#### Natural Gas Orifice Spud Chart for Standard Surface Burners

Burner Location	Burner Rating	Size
Right front	6,000 Btu/h	1.10 mm
Left front	14,000 Btu/h	1.70 mm
Right rear	12,500 Btu/h	1.61 mm
Left rear	6,000 Btu/h	1.10 mm

- Place LP gas orifice spuds in plastic parts bag for future use and keep with literature package.
- Replace burner cap.
- Repeat steps 1-6 for the remaining burners, except for the TripleTier® Flame burner (on some models). See "To Convert TripleTier® Flame Burners" section.

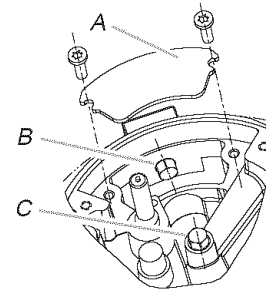
#### To Convert TripleTier® Flame Burner (on some models)

- Remove burner cap.
- Remove the burner head using a size T20 TORX® screwdriver.
- Remove the plate on the external gas orifice spud.



A. Burner caps  
B. Burner heads  
C. External gas orifice spud access plate  
D. Internal gas orifice spud

**IMPORTANT:** The TripleTier® Flame burner has 2 gas orifice spuds. Do not forget to change the external gas orifice spud located under the plate.



A. Plate  
B. External gas orifice spud  
C. Internal gas orifice spud

- Apply masking tape to the end of a 7 mm nut driver to help hold the internal gas orifice spud in the nut driver while changing it. Press nut driver down onto the internal gas orifice spud and remove by turning it counterclockwise and lifting out. Set internal gas orifice spud aside.
- Use a 7 mm combination wrench to remove the external orifice spud. Turn counterclockwise remove, set external gas orifice spud aside.
- Replace the LP gas orifice spud with the correct Natural gas orifice spud. Refer to the following chart for correct Natural gas orifice spud placement.

#### Natural Gas Orifice Spud Chart for TripleTier® Flame Burners

Burner Location	Burner Rating	Size
Left front (external TripleTier® burner)	12,200 Btu/h	1.70 mm
Left front (internal TripleTier® burner)	2,800 Btu/h	0.70 mm

- Replace burner plate, head and cap.
- Place LP gas orifice spuds in plastic parts bag for future use and keep with literature package.
- Reinstall the warming drawer. See the "Replace Oven Racks and Warming Drawer" section for instructions.
- Complete installation. See "Make Gas Connection" and "Electronic Ignition System" sections.

Checking for proper cooktop burner flames is very important. Natural gas flames do not have yellow tips.

**IMPORTANT:** You may have to adjust "LO" setting for each cooktop burner.

# SÉCURITÉ DE LA CUISINIÈRE

## Votre sécurité et celle des autres est très importante.

Nous donnons de nombreux messages de sécurité importants dans ce manuel et sur votre appareil ménager. Assurez-vous de toujours lire tous les messages de sécurité et de vous y conformer.



Voici le symbole d'alerte de sécurité.

Ce symbole d'alerte de sécurité vous signale les dangers potentiels de décès et de blessures graves à vous et à d'autres.

Tous les messages de sécurité suivront le symbole d'alerte de sécurité et le mot "DANGER" ou "AVERTISSEMENT". Ces mots signifient :

**⚠ DANGER**

Risque possible de décès ou de blessure grave si vous ne suivez pas immédiatement les instructions.

**⚠ AVERTISSEMENT**

Risque possible de décès ou de blessure grave si vous ne suivez pas les instructions.

Tous les messages de sécurité vous diront quel est le danger potentiel et vous disent comment réduire le risque de blessure et ce qui peut se produire en cas de non-respect des instructions.

**AVERTISSEMENT : Si les renseignements dans ce manuel ne sont pas exactement observés, un incendie ou une explosion peut survenir, causant des dommages au produit, des blessures ou un décès.**

- Ne pas entreposer ni utiliser de l'essence ou d'autres vapeurs ou liquides inflammables à proximité de cet appareil ou de tout autre appareil électroménager.
- QUE FAIRE DANS LE CAS D'UNE ODEUR DE GAZ :
  - Ne pas tenter d'allumer un appareil.
  - Ne pas toucher à un commutateur électrique.
  - Ne pas utiliser le téléphone se trouvant sur les lieux.
  - Appeler immédiatement le fournisseur de gaz d'un téléphone voisin. Suivre ses instructions.
  - À défaut de joindre votre fournisseur de gaz, appeler les pompiers.
- L'installation et l'entretien doivent être effectués par un installateur qualifié, une agence de service ou le fournisseur de gaz.

## ⚠ AVERTISSEMENT

Risque de basculement

Un enfant ou une personne adulte peut faire basculer la cuisinière ce qui peut causer un décès.

Joindre la bride antibasculement au pied arrière de la cuisinière.

Joindre de nouveau la bride antibasculement si la cuisinière est déplacée.

Le non-respect de ces instructions peut causer un décès ou des brûlures graves aux enfants et aux adultes.



# EXIGENCES D'INSTALLATION

## Outillage et pièces

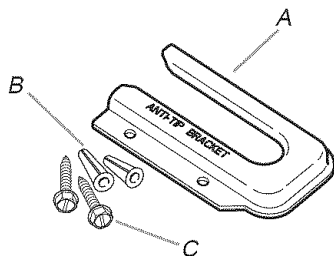
Rassembler les outils et pièces nécessaires avant de commencer l'installation. Lire et suivre les instructions fournies avec les outils indiqués ici.

### Outillage nécessaire

- Mètre-ruban
  - Tournevis à lame plate
  - Tournevis Phillips
  - Niveau
  - Perceuse manuelle ou électrique
  - Marteau
  - clé ou pince
  - Clé à tuyauterie
  - Clé mixte de 15/16"
  - Tourne-écrou de 3/8"
  - Tourne-écrou de 1/4"
  - Foret de 1/8" (3,2 mm) (pour plancher de bois)
  - Crayon ou marqueur
  - Ruban de masquage
  - Composé d'étanchéité des raccords filetés - résistant au propane
  - Foret à maçonnerie de 3/16" (4,8 mm) à pointes carburées, pour béton/céramique
  - Solution non corrosive de détection des fuites
- Pour la conversion pour l'alimentation au gaz propane/gaz naturel**
- Clé mixte de 1/2"
  - Clé mixte de 7 mm
  - Tourne-écrou de 7 mm
  - Tournevis TORX®† T20

### Pièces fournies

Vérifier la présence de toutes les pièces.



A. Bride antibasculement  
B. Chevilles de plastique (2)  
C. Vis n° 10 x 1/2" (2)

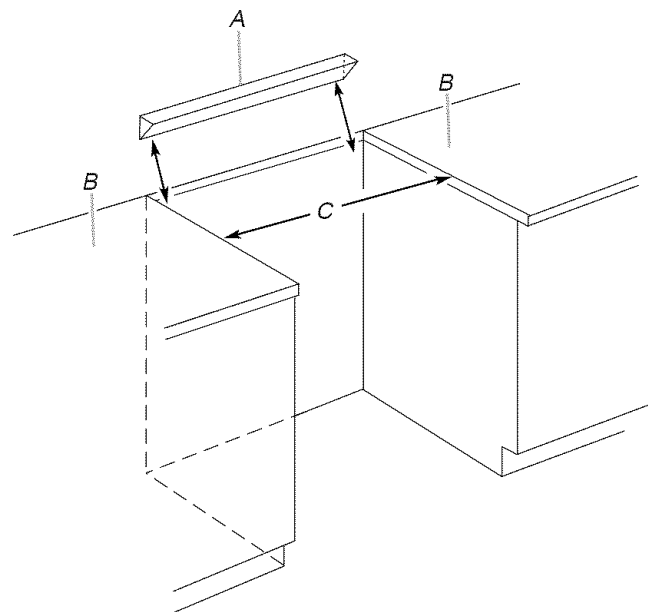
- Chaque bride doit être solidement fixée au sous-plancher. L'épaisseur du matériau du plancher peut nécessiter l'emploi de vis plus longues pour l'ancrage dans le sous-plancher. Des vis plus longues sont disponibles auprès de votre quincaillerie locale.

### Pièces nécessaires

Consulter les codes locaux en vigueur et le fournisseur de gaz. Déterminer les caractéristiques des sources disponibles d'électricité et gaz. Voir "Spécifications électriques" et "Spécifications de l'alimentation en gaz".

### Planchette de remplissage (facultatif)

La planchette de remplissage peut être utilisée pour combler l'espace entre l'arrière de la cuisinière encastrée et le mur dans l'ouverture prévue pour une cuisinière autoportante.



A. Planchette de remplissage  
B. Plan de travail  
C. Ouverture du plan de travail

Pour commander, voir la section "Assistance ou service" du Guide d'utilisation et d'entretien. Commander la pièce numéro W10113902A (noir), W10113903A (blanc) ou W10113904A (biscuit).

## Exigences d'emplacement

**IMPORTANT :** Respecter les dispositions de tous les codes et règlements en vigueur. Ne pas obstruer le flux de combustion et la ventilation.

- C'est à l'installateur qu'incombe la responsabilité de respecter les distances de séparation exigées, spécifiées sur la plaque signalétique de l'appareil. La plaque signalétique est située sur le côté droit de la garniture de la porte du four.
- La cuisinière doit être placée de manière à permettre une utilisation pratique dans la cuisine.
- Dans le cas d'une cuisinière encastrée, l'enceinte doit recouvrir complètement les côtés et l'arrière de la cuisinière.
- Afin de minimiser le risque de brûlures ou d'incendie au-dessus de la table de cuisson, on doit éviter d'installer un placard mural. Si le rangement en placard est envisagé, le risque peut être réduit par l'installation d'une hotte de cuisinière ou un ensemble hotte/micro-ondes opérant horizontalement sur un minimum de 5" (12,7 cm) au-delà du bas des placards.
- Toutes les ouvertures dans le mur ou le plancher de l'emplacement d'installation de la cuisinière doivent être scellées.
- Ne pas réaliser un scellement entre la cuisinière et les placards latéraux.

†TORX est une marque déposée de Textron Innovations Inc.



- Respecter les dimensions indiquées pour la cavité d'installation entre les placards. Ces dimensions tiennent compte des valeurs minimales des dégagements de séparation.
- La bride antibasculement doit être installée. Pour l'installation de la bride antibasculement fournie avec la cuisinière, voir la section "Installation de la bride antibasculement".
- Une source d'électricité avec liaison à la terre est nécessaire. Voir la section "Spécifications électriques".
- Une source de gaz adéquate doit être disponible. Voir la section "Spécifications de l'alimentation en gaz".
- Contacter un installateur de revêtement de sol qualifié, qui pourra déterminer si le revêtement de sol peut résister à une température d'au moins 200°F (93°C).
- Dans le cas de l'installation de la cuisinière par dessus un tapis, placer sous la cuisinière une plaque d'appui isolée, ou une plaque de contreplaqué de 1/4" (0,64 cm).

**IMPORTANT :** Les matériaux de certains placards et certains matériaux de construction ne sont pas conçus pour résister à la chaleur générée par le four durant la cuisson au four ou l'auto-nettoyage. Consulter le constructeur de la maison ou le fabricant des placards pour déterminer si les matériaux utilisés pourraient subir un changement de couleur, une déstratification ou d'autres dommages.

### Résidence mobile - Spécifications additionnelles à respecter lors de l'installation

L'installation de cette cuisinière doit être conforme aux dispositions de la norme Manufactured Home Construction and Safety Standard, Title 24 CFR, Part 3280 (anciennement Federal Standard for Mobile Home Construction and Safety, Title 24, HUD Part 280). Lorsque cette norme n'est pas applicable, l'installation doit satisfaire aux critères de la norme Standard for Manufactured Home Installations, ANSI A225.1/NFPA 501A ou les dispositions des codes locaux.

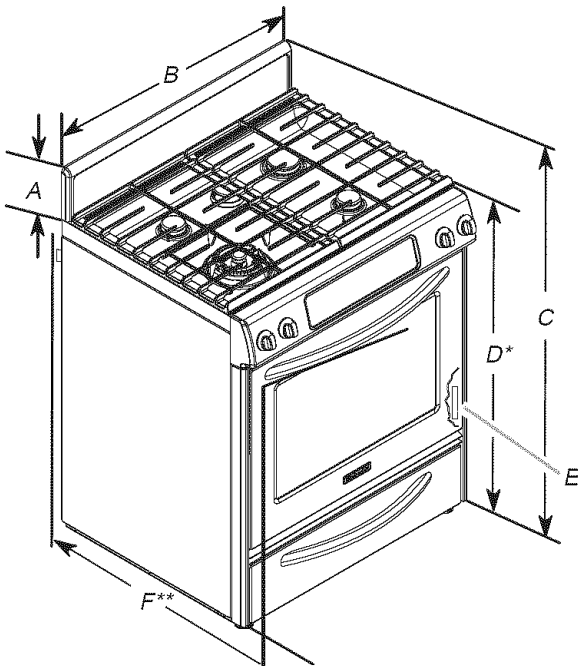
Au Canada, l'installation de cette cuisinière doit satisfaire aux stipulations de la version la plus récente de la norme CAN/CSA-A240, ou des codes locaux en vigueur.

### Autres critères à respecter pour une installation en résidence mobile :

- Dans le cas de l'installation de cette cuisinière dans une résidence mobile, la cuisinière doit être fixée au plancher durant tout déplacement du véhicule. Toute méthode de fixation de la cuisinière est adéquate dans la mesure où elle satisfait aux critères des normes mentionnées ci-dessus.
- Pour une installation en résidence mobile, un câble ou cordon d'alimentation à quatre fils doit être utilisé. Le câblage de l'appareil devra être révisé. Voir la section "Raccordement électrique".

## Dimensions du produit

### Cuisinière autoportante



A. 5 $\frac{3}{4}$ " (14,6 cm)

B. 30" (76,2 cm)

C. Hauteur totale avec les pieds de nivellement complètement abaissés : 41 $\frac{3}{4}$ " (106 cm)

D. Hauteur de la garniture de la table de cuisson avec les pieds de nivellement complètement abaissés : 36" (91,4 cm)\*

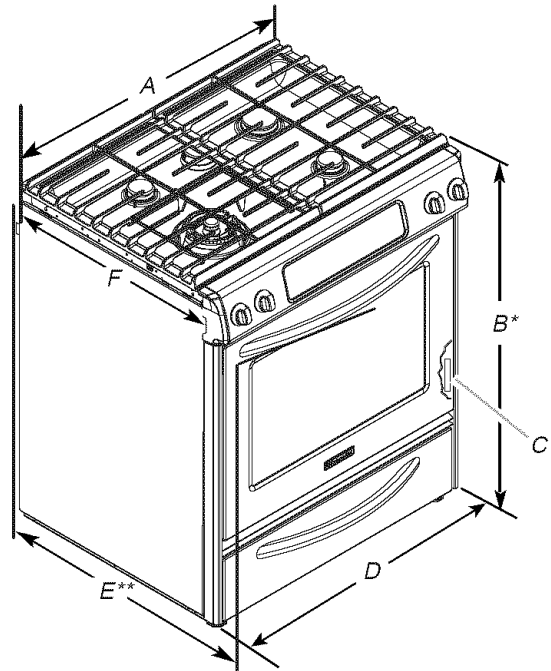
E. Plaque signalétique (située sur la garniture de porte du four, côté droit)

F. Longueur maximale de la poignée au support à l'arrière de la cuisinière : 27 $\frac{1}{4}$ " (69,2 cm)\*\*

\*La cuisinière peut être surélevée d'environ 1" (2,5 cm) en ajustant les pieds de nivellement.

\*\*Dans le cas d'une installation entre des placards de 24" (61 cm) avec plan de travail de 25" (63,5 cm), l'avant de la porte du four sera en saillie de 1" (2,5 cm) au-delà de la base des placards de 24" (61 cm).

### Cuisinière encastrée



A. 30 $\frac{1}{16}$ " (77,6 cm)

B. Hauteur jusqu'à la partie inférieure de la table de cuisson avec les pieds de nivellement complètement abaissés : 35 $\frac{5}{8}$ " (90,5 cm)\*

C. Plaque signalétique (située sur la garniture de porte du four, côté droit)

D. 30" (76,2 cm)

E. Longueur de la poignée au support à l'arrière de la cuisinière : 27 $\frac{1}{4}$ " (69,2 cm)\*\*

F. Du coin du plan de travail vers l'arrière de la table de cuisson : 23" (58,4 cm)

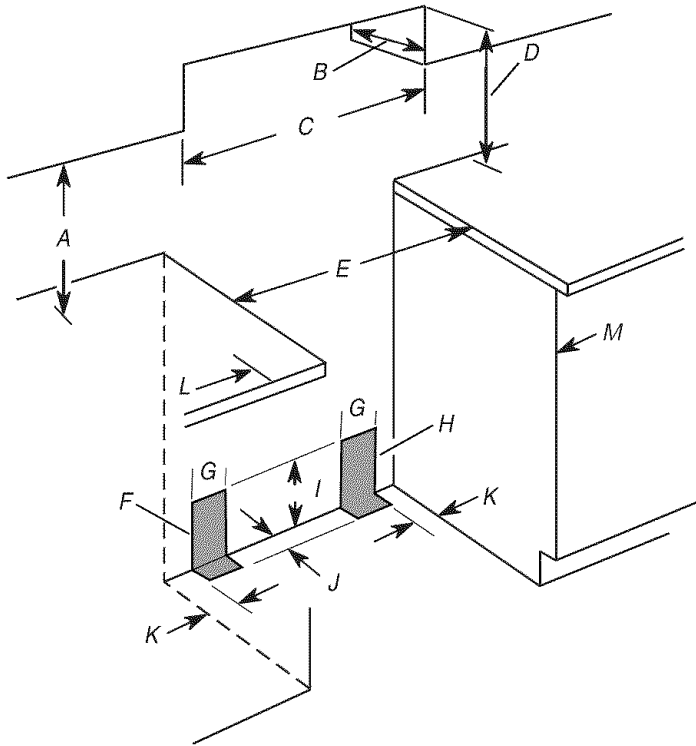
\*La cuisinière peut être surélevée d'environ 1" (2,5 cm) en ajustant les pieds de nivellement.

\*\*Dans le cas d'une installation entre des placards de 24" (61 cm) avec plan de travail de 25" (63,5 cm), l'avant de la porte du four sera en saillie de 1 $\frac{3}{4}$ " (4,4 cm) au-delà de la base des placards de 24" (61 cm).

## Dégagements de séparation à respecter

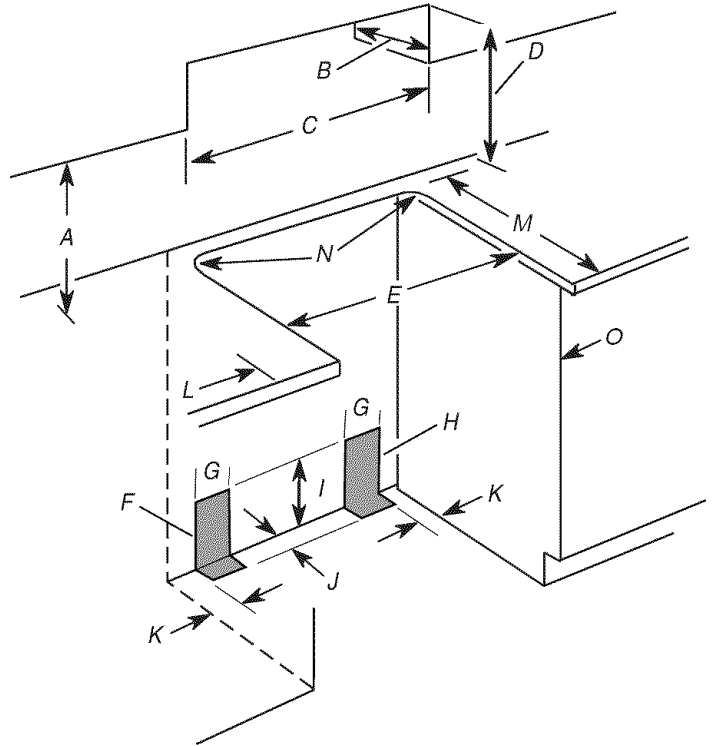
Les dimensions de l'espace d'installation entre les placards correspondent à une installation entre des placards de 24" (61 cm) avec plan de travail de 25" (64 cm) à hauteur de 36" (91,4 cm).

### Cuisinières autoportantes



- A. 18" (45,7 cm) entre le placard supérieur et le plan de travail
- B. Profondeur max. du placard supérieur : 13" (33 cm)
- C. Largeur de l'ouverture : 30" (76,2 cm) min.
- D. Pour la distance libre minimale vers la partie supérieure de la table de cuisson, voir la REMARQUE.
- E. Largeur de l'ouverture : 30" (76,2 cm) min.
- F. Installation de la canalisation de gaz rigide recommandée dans cette zone ombrée.
- G. 6" (15,2 cm) disponible pour l'installation du gaz et de l'électricité.
- H. Installation de la prise ou de la boîte de connexion dans cette zone ombrée.
- I. 7" (17,8 cm)
- J. 1 1/2" (3,8 cm)
- K. 4 1/2" (11,4 cm)
- L. Dégagement de 5" (12,7 cm) min. entre les deux côtés de la cuisinière et les parois latérales ou d'autres matériaux combustibles.
- M. La porte ou charnière du placard ne doit pas dépasser à l'intérieur de l'ouverture.

### Cuisinières encastrées



- A. 18" (45,7 cm) entre le placard supérieur et le plan de travail
- B. Profondeur max. du placard supérieur : 13" (33 cm)
- C. Largeur de l'ouverture : 30" (76,2 cm) min.
- D. Pour la distance libre minimale vers la partie supérieure de la table de cuisson, voir la REMARQUE.
- E. Largeur de l'ouverture : 30" (76,2 cm) min.
- F. Installation de la canalisation de gaz rigide recommandée dans cette zone ombrée.
- G. 6" (15,2 cm) disponible pour l'installation du gaz et de l'électricité.
- H. Installation de la prise ou de la boîte de connexion dans cette zone ombrée.
- I. 7" (17,8 cm)
- J. 1 1/2" (3,8 cm)
- K. 4 1/2" (11,4 cm)
- L. Dégagement de 5" (12,7 cm) min. entre les deux côtés de la cuisinière et les parois latérales ou d'autres matériaux combustibles.
- M. Profondeur d'ouverture : 22 1/4" (58,3 cm)
- N. Rayon de basculement des deux coins : 3/4" (1,9 cm)
- O. La porte ou charnière du placard ne doit pas dépasser à l'intérieur de l'ouverture.

**REMARQUE :** Distance de séparation de 24" (61 cm) ou plus lorsque le fond d'un placard de bois ou de métal est protégé par une planche ignifugée d'au moins 1/4" (0,64 cm) recouverte d'une feuille métallique d'épaisseur égale ou supérieure à : acier calibre 28 MSG, acier inoxydable 0,015" (0,4 mm), aluminium 0,024" (0,6 mm), ou cuivre 0,020" (0,5 mm).

Distance de séparation de 30" (76,2 cm) ou plus entre le dessus de la table de cuisson et le fond d'un placard de bois ou de métal non protégé.

En cas d'installation d'une hotte ou d'un ensemble hotte/micro-ondes au-dessus de la cuisinière, suivre les instructions fournies avec la hotte ou l'ensemble hotte/micro-ondes concernant les dimensions de dégagement à respecter au-dessus de la surface de la table de cuisson.

## Spécifications de l'installation électrique

### **⚠ AVERTISSEMENT**



#### Risque de choc électrique

Relier la cuisinière à la terre.

**Le non-respect de cette instruction peut causer un décès, un incendie ou un choc électrique.**

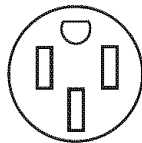
Si le code en vigueur le permet et qu'un conducteur distinct de liaison à la terre est utilisé, on recommande qu'un électricien qualifié vérifie que la liaison à la terre et la taille du conducteur de liaison à la terre sont adéquats et conformes aux prescriptions du code local.

Vérifier que le raccordement à la source d'électricité et le calibre des conducteurs sont conformes aux prescriptions de la plus récente édition de la norme CSA C22.1, partie 1 - Code canadien de l'électricité, et de tout code ou règlement local en vigueur.

On peut obtenir un exemplaire de la norme ci-dessus auprès de :

Canadian Standards Association  
178 Rexdale Blvd.  
Toronto, ON M9W 1R3 CANADA

- En cas de doute quant à la qualité de la liaison à la terre de la cuisinière, consulter un électricien qualifié.
- Lorsqu'une source d'électricité monophasée de 120/240 volts, 60 Hz/4 conducteurs (CA uniquement) est disponible, le circuit doit comporter un dispositif de protection de 50 A maximum (ou 40 A si la source d'électricité spécifiée sur la plaque signalétique est de 120/208 volts), fusionné aux deux extrémités de la ligne.
- On recommande l'emploi de fusibles temporisés ou disjoncteurs.
- Cette cuisinière est dotée d'un dispositif de branchement (homologation CSA International) destiné à être branché sur une prise de courant murale standard 14-50R. Veiller à ce que la prise de courant murale soit placée à portée de la position de service finale de la cuisinière.



- Ne pas utiliser de câble de rallonge.

## Spécifications de l'alimentation en gaz

### **⚠ AVERTISSEMENT**



#### Risque d'explosion

Utiliser une canalisation neuve d'arrivée de gaz approuvée par la CSA International.

Installer un robinet d'arrêt.

Bien serrer chaque organe de connexion de la canalisation de gaz.

En cas de connexion au gaz propane, demander à une personne qualifiée de s'assurer que la pression de gaz ne dépasse pas 36 cm (14 po) de la colonne d'eau.

Par personne qualifiée, on comprend :

le personnel autorisé de chauffage,  
le personnel autorisé d'une compagnie de gaz, et  
le personnel d'entretien autorisé.

**Le non-respect de ces instructions peut causer un décès, une explosion ou un incendie.**

Observer toutes les prescriptions des codes et règlements en vigueur.

**IMPORTANT :** L'installation doit satisfaire aux critères de tous les codes et règlements locaux. En l'absence de code local, l'installation doit satisfaire aux prescriptions de la plus récente édition du code national en vigueur : National Fuel Gas Code ANSI Z223.1 (American National Standard), ou CAN/CGA B149.

**IMPORTANT :** Les tests de fuite de la cuisinière doivent être effectués selon les instructions du fabricant.

### Type de gaz

#### Gaz naturel :

La conception de cette cuisinière a été homologuée par CSA International pour l'alimentation au gaz naturel, ou pour l'alimentation au propane après conversion adéquate.

- Cette cuisinière a été configurée à l'usine pour l'alimentation au gaz naturel. Voir la section "Conversions pour changement de gaz". La plaque signalétique des numéros de modèle et de série située sur le côté droit de la garniture de la porte du four indique les types de gaz utilisables. Si le type de gaz disponible n'est pas mentionné sur la plaque signalétique, consulter le fournisseur de gaz local.

#### Conversion pour l'alimentation au propane :

L'opération de conversion doit être exécutée par un technicien qualifié.

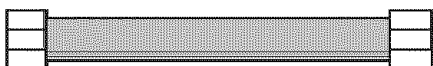
Consulter le fournisseur de gaz avant toute conversion de l'appareil pour l'utilisation d'un type de gaz qui n'est pas mentionné sur la plaque signalétique. Voir la section "Conversions pour changement de gaz".

## Canalisation de gaz

Installer une canalisation de gaz rigide de  $\frac{3}{4}$ " (1,9 cm) jusqu'à l'emplacement d'installation de la cuisinière. L'emploi d'une canalisation de plus petit diamètre ou plus longue peut susciter une déficience du débit d'alimentation. On doit utiliser un composé d'étanchéité des tuyauteries résistant à l'action du gaz de pétrole liquéfié. Ne pas utiliser de ruban TEFLON®. Pour l'alimentation au propane, le diamètre des canalisations doit être de  $\frac{1}{2}$ " (1,3 cm) ou plus. Usuellement le fournisseur de gaz propane détermine les matériaux à utiliser et le diamètre approprié.

### Raccord métallique flexible :

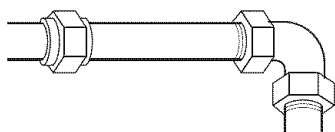
- Si le code local le permet, on peut utiliser pour raccorder la cuisinière à la canalisation de gaz un raccord métallique flexible neuf (homologation CSA) de 4 à 5 pi (122 à 152,4 cm) de longueur, de diamètre interne de  $\frac{1}{2}$ " (1,3 cm) ou  $\frac{3}{4}$ " (1,9 cm).



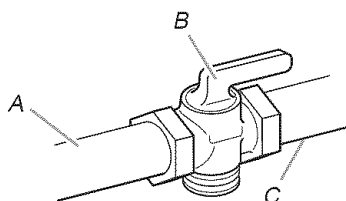
- Un raccord avec filetage mâle de  $\frac{1}{2}$ " (1,3 cm) est nécessaire pour la connexion sur le raccord à filetage femelle à l'entrée du détendeur de l'appareil.
- Veiller à ne pas déformer/écraser/endommager le tube métallique flexible lors d'un déplacement de la cuisinière.

### Raccordement par un ensemble rigide :

On doit utiliser une combinaison de raccords pour réaliser un raccordement rigide entre la cuisinière et la canalisation de gaz. Le tuyau rigide doit se trouver au même niveau que le raccord de connexion de la cuisinière. On doit veiller à ne soumettre les sections de canalisation d'alimentation à aucun effort de traction ou flexion, pour que la cuisinière soit d'aplomb et correctement alignée.



- **Robinet d'arrêt nécessaire :**  
La canalisation d'alimentation doit comporter un robinet d'arrêt manuel. Le robinet d'arrêt manuel doit être séparé de la cuisinière, mais doit se trouver dans la même pièce en un endroit où il sera facilement accessible pour les manœuvres d'ouverture/fermeture. Ne pas entraver l'accès au robinet d'arrêt manuel. Le robinet d'arrêt manuel est prévu pour ouvrir ou fermer l'alimentation en gaz de la cuisinière.



A. Canalisation de gaz  
B. Robinet d'arrêt manuel - position d'ouverture  
C. Vers la cuisinière

## Détendeur de gaz

Le détendeur fourni avec cette cuisinière doit être utilisé. Pour un fonctionnement correct, la pression d'alimentation du détendeur doit être comme suit :

†TEFLON est une marque déposée de E.I. Du Pont De Nemours et Compagnie.

### Gaz naturel :

Pression minimum : 5" (colonne d'eau)

Pression maximum : 14" (colonne d'eau)

### Gaz propane :

Pression minimum : 11" (colonne d'eau)

Pression maximum : 14" (colonne d'eau)

En cas d'incertitude quant à la pression d'alimentation à établir, contacter le fournisseur de gaz local.

## Débit thermique des brûleurs

Les débits thermiques indiqués sur la plaque signalétique correspondent à une altitude d'utilisation inférieure à 2000 pi (609,6 m).

Lorsque l'appareil est utilisé à une altitude supérieure à 2000 pi (609,6 m), on doit réduire le débit thermique indiqué de 4 % pour chaque tranche de 1000 pi (304,8 m) au-dessus du niveau de la mer (pas applicable au Canada).

## Tests de pressurisation de la canalisation de gaz

### Pressurisation à une pression supérieure à $\frac{1}{2}$ lb/po<sup>2</sup> (14" - colonne d'eau)

Lors de tout test de pressurisation de ce système à une pression supérieure à  $\frac{1}{2}$  lb/po<sup>2</sup> (3,5 kPa), on doit déconnecter la cuisinière et son robinet d'arrêt individuel de la canalisation de gaz.

### Pressurisation à une pression inférieure à $\frac{1}{2}$ lb/po<sup>2</sup> (14" - colonne d'eau)

Lors de tout test de pressurisation de la canalisation de gaz à une pression égale ou inférieure à  $\frac{1}{2}$  lb/po<sup>2</sup> (3,5 kPa), on doit isoler la cuisinière de la canalisation de gaz par fermeture de son robinet d'arrêt manuel individuel.

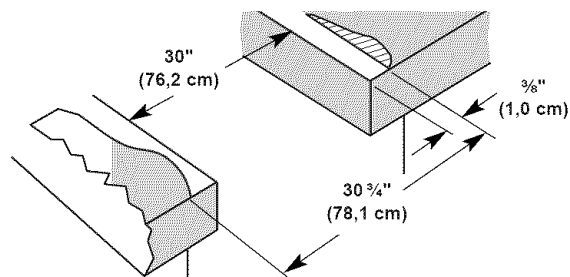
## Préparation du plan de travail (pour cuisinières encastrées uniquement)

Les bords latéraux de la table de cuisson seront placés en chevauchement sur les extrémités du plan de travail.

Si la largeur de l'espace disponible est de 30" (76,2 cm), et si la rive avant du plan de travail est plane et à l'équerre, aucune préparation ne sera nécessaire.

Si le bord avant du plan de travail a été réalisé par moulage, il sera nécessaire de réaliser une surface plane de  $\frac{3}{8}$ " (1 cm) dans chaque angle avant de l'ouverture.

Il peut être nécessaire de tailler le carrelage du plan de travail sur  $\frac{3}{8}$ " (1 cm) sur chaque angle à l'avant et/ou d'aplanir un bord arrondi.



Si la largeur de l'espace disponible dans le plan de travail est de plus de 30" (76,2 cm), ajuster la dimension de  $\frac{3}{8}$ " (1 cm).

Il faut que le plan de travail soit horizontal. Placer un niveau sur le plan de travail; contrôler l'horizontalité transversalement, puis dans le sens avant/arrière. Si le plan de travail n'est pas horizontal, la cuisinière ne sera pas d'aplomb. Il faut que l'appareil soit d'aplomb pour que la cuisinière produise une performance satisfaisante.

# INSTRUCTIONS D'INSTALLATION

## Déballage de la cuisinière

### **AVERTISSEMENT**

#### Risque du poids excessif

Utiliser deux ou plus de personnes pour déplacer et installer la cuisinière.

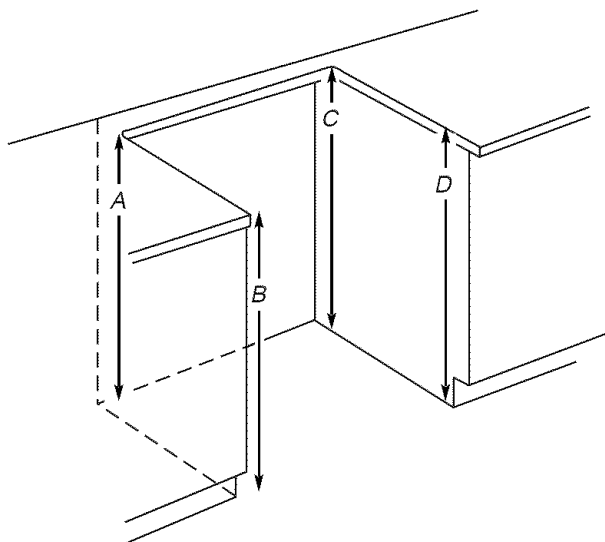
Le non-respect de cette instruction peut causer une blessure au dos ou d'autre blessure.

1. Ôter les matériaux d'emballage, le ruban adhésif et le film protecteur de la cuisinière. Garder la base de carton sous la cuisinière. Retirer les grilles de four et le sachet de pièces de l'intérieur du four.
2. Pour placer la cuisinière sur sa partie postérieure, prendre les 4 coins de protection du carton d'emballage. Empiler les coins l'un sur l'autre. Répéter avec les 2 autres coins. Les disposer sur le plancher dans le sens de la longueur derrière la cuisinière à titre de support de la cuisinière lorsque celle-ci est placée sur sa partie postérieure. En utilisant au moins deux personnes, saisir fermement la cuisinière et la déposer délicatement sur sa partie postérieure, sur les coins de protection.
3. Tirer fermement sur la partie inférieure du carton pour le retirer.

## Mesures pour une hauteur appropriée

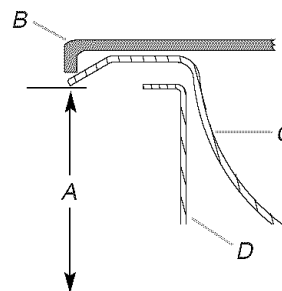
### Cuisinières encastrées :

1. Mesurer la distance du plan de travail jusqu'au sol. Mesurer aux 4 emplacements correspondant aux 4 coins de la partie inférieure de la table de cuisson, tel qu'illustré.



Mesurer aux emplacements marqués A, B, C, D.

2. Mesurer du sol jusqu'à la partie inférieure de la table de cuisson.



A. Distance en partant du sol vers la partie inférieure de la table de cuisson

C. Surface de la table de cuisson

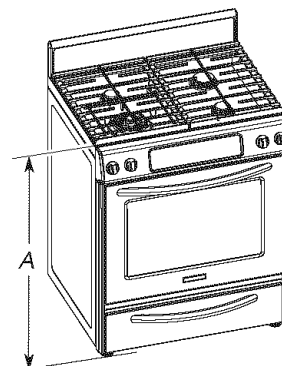
B. Grille

D. Châssis latéral de la cuisinière

3. Ajuster la hauteur en fonction des différences observées entre les 2 mesures.

### Cuisinières autoportantes :

1. Mesurer la distance du plan de travail jusqu'au sol.
2. Mesurer du haut de la garniture de la table de cuisson jusqu'au sol.



A. Distance entre le sommet de la garniture de la table de cuisson et le plancher

3. Ajuster la hauteur en fonction des différences observées entre les 2 mesures.

## Réglage des pieds de nivellement

1. Si un ajustement de la hauteur de la cuisinière est nécessaire, utiliser une clé ou une pince pour desserrer les 4 pieds de nivellement.

Ceci doit être effectué alors que la cuisinière repose sur sa partie postérieure ou qu'elle est supportée par 2 pieds après avoir été replacée en position verticale.

**REMARQUE :** Pour placer à nouveau la cuisinière en position verticale, placer un carton ou un panneau de fibres dur devant la cuisinière. En utilisant au moins 2 personnes, relever la cuisinière et la placer sur le carton ou le panneau de fibres dur.

## ⚠ AVERTISSEMENT



### Risque de basculement

**Un enfant ou une personne adulte peut faire basculer la cuisinière ce qui peut causer un décès.**

**Joindre la bride antibasculement au pied arrière de la cuisinière.**

**Joindre de nouveau la bride antibasculement si la cuisinière est déplacée.**

**Le non-respect de ces instructions peut causer un décès ou des brûlures graves aux enfants et aux adultes.**

- Ajuster les pieds de nivellement à la hauteur nécessaire. Les pieds de nivellement peuvent être desserrés pour ajouter une hauteur maximale de 1" (2,5 cm). Une longueur minimum de  $\frac{3}{16}$ " (5 mm) est nécessaire pour engager la bride antibasculement.

**REMARQUE :** Si un ajustement de la hauteur est effectué alors que la cuisinière est debout, incliner la partie arrière de la cuisinière pour ajuster les pieds avant, puis incliner la cuisinière vers l'avant pour ajuster les pieds arrière.

- Lorsque la cuisinière est à la hauteur souhaitée, vérifier qu'il y a un espace suffisant sous la cuisinière pour loger la bride antibasculement. Avant de faire glisser la cuisinière à son emplacement final, vérifier qu'il sera possible de faire glisser la bride antibasculement sous la cuisinière et sur le pied de nivellement arrière avant l'installation de la bride antibasculement.

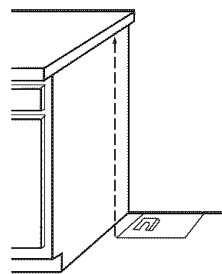
## Installation de la bride antibasculement

Contactez un installateur de revêtements de sol qualifié au sujet des meilleures méthodes de perçage des trous de montage à travers le revêtement de sol existant.

Avant de déplacer la cuisinière, la faire glisser sur son emballage d'expédition, du carton ou un panneau de fibres dur.

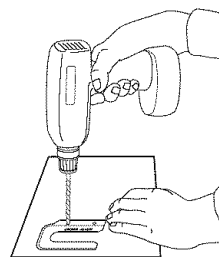
- Enlever le gabarit de la trousse de la bride antibasculement (à l'intérieur de la cavité du four) ou de la couverture arrière du présent manuel.
- Placer le gabarit sur le sol dans l'ouverture du placard de sorte que le bord gauche se trouve contre le placard, et le bord supérieur contre la paroi arrière, la plinthe ou le placard.
- Fixer le gabarit avec du ruban adhésif.

- Si le plan de travail n'est pas de niveau avec le haut de l'ouverture du placard, aligner le gabarit avec le surplomb.



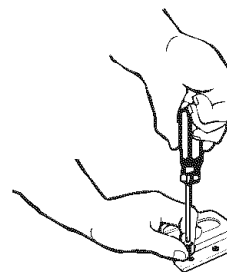
Si l'ouverture du meuble est plus large que ce qui est spécifié dans les "Exigences d'emplacement", ajuster le gabarit de sorte que la cuisinière soit au centre de l'ouverture du placard.

- Pour monter la bride antibasculement sur un plancher de bois, percer deux trous de  $\frac{1}{8}$ " (3,2 mm) aux emplacements indiqués sur le gabarit de la bride. Enlever le gabarit du sol.



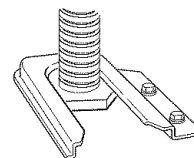
Pour monter la bride antibasculement sur un plancher en béton ou en céramique, utiliser un foret à maçonnerie de  $\frac{3}{16}$ " (4,8 mm) pour percer 2 trous aux emplacements indiqués sur le gabarit de la bride. Enlever le gabarit du sol.

- Enfoncer les ancrages en plastique dans les trous à l'aide d'un marteau.
- Aligner les trous de la bride antibasculement avec les trous dans le plancher. Fixer la bride antibasculement avec les vis fournies.



En fonction de l'épaisseur du plancher, des vis plus longues peuvent s'avérer nécessaires pour fixer la bride au sous-plancher. Des vis plus longues sont disponibles auprès de votre quincaillerie locale.

- Déplacer la cuisinière près de l'ouverture d'encastrement pour permettre le raccordement électrique final. Retirer la base d'expédition, le carton ou le panneau de fibre dur de la cuisinière.
- Déplacer la cuisinière vers son emplacement final en s'assurant que le pied de nivellement arrière glisse dans la bride antibasculement.



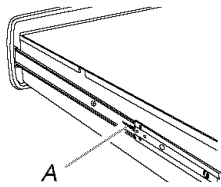
10. En cas d'installation de la cuisinière dans une résidence mobile, il est impératif de fixer la cuisinière au sol. Toute méthode de fixation de la cuisinière est adéquate dans la mesure où elle satisfait aux normes indiquées dans la section "Exigences d'emplacement".
11. Poursuivre l'installation de la cuisinière en utilisant les instructions d'installation suivantes.

### Retrait du tiroir-réchaud

Retirer le tiroir-réchaud pour avoir accès à la section inférieure de la cuisinière. Ceci sera nécessaire pour certaines des étapes d'installation suivantes.

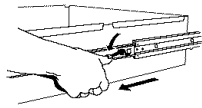
#### Retrait du tiroir-réchaud :

1. Ouvrir le tiroir complètement.
2. Localiser les boucles noires des deux côtés du tiroir.



A. Boucle

3. Tirer simultanément les deux boucles vers l'avant puis sortir le tiroir d'un pouce supplémentaire.

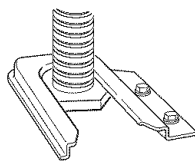


4. En tenant le tiroir par les côtés, et non par l'avant, le retirer complètement et doucement.

### Vérification de l'emplacement de la bride antibasculement

**IMPORTANT :** Sur les modèles équipés d'un tiroir-réchaud, le pied arrière de la cuisinière doit être visible de l'avant et légèrement d'un côté de la cuisinière.

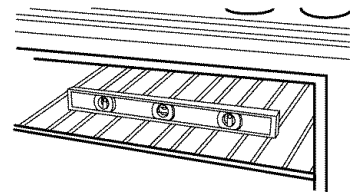
1. Vérifier l'installation de la bride antibasculement :
  - Vérifier que la bride antibasculement est solidement fixée au sol.
  - Faire glisser la cuisinière vers l'arrière; veiller à placer le pied arrière sous la bride antibasculement.



2. Dans le cas de l'installation de la cuisinière dans une résidence mobile, on doit fixer la cuisinière au plancher. Toute méthode de fixation de la cuisinière au plancher est adéquate dans la mesure où elle est conforme aux normes mentionnées à la section "Exigences de l'emplacement."

### Réglage de l'aplomb de la cuisinière

Placer la grille dans le four. Placer un niveau sur la grille pour contrôler l'aplomb, dans le sens transversal puis dans le sens avant/arrière.



Si la cuisinière n'est pas d'aplomb, tirer la cuisinière vers l'avant pour dégager le pied arrière de la bride antibasculement.

Avec une pince ou une clé, ajuster les pieds de réglage de l'aplomb vers le haut ou vers le bas pour obtenir un parfait aplomb de la cuisinière. Pousser de nouveau la cuisinière jusqu'à sa position finale. Vérifier que le pied arrière est correctement engagé dans la bride antibasculement.

**REMARQUE :** Il faut que la cuisinière soit d'aplomb pour que le four produise une performance satisfaisante.

### Raccordement à la canalisation de gaz

#### ⚠ AVERTISSEMENT



#### Risque d'explosion

Utiliser une canalisation neuve d'arrivée de gaz approuvée par la CSA International.

Installer un robinet d'arrêt.

Bien serrer chaque organe de connexion de la canalisation de gaz.

En cas de connexion au gaz propane, demander à une personne qualifiée de s'assurer que la pression de gaz ne dépasse pas 36 cm (14 po) de la colonne d'eau.

Par personne qualifiée, on comprend :

le personnel autorisé de chauffage,  
le personnel autorisé d'une compagnie de gaz, et  
le personnel d'entretien autorisé.

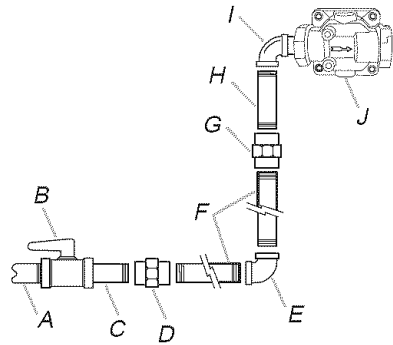
Le non-respect de ces instructions peut causer un décès, une explosion ou un incendie.

#### Raccordement typique à une canalisation rigide

On doit utiliser une combinaison de raccords pour raccorder la cuisinière à la canalisation de gaz existante. La configuration de connexion sera variable, selon les caractéristiques de la canalisation d'alimentation (type, taille et position).

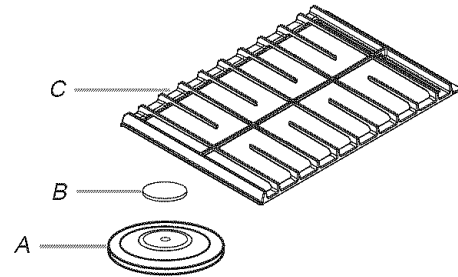
1. Sur chaque connexion filetée, appliquer un composé d'étanchéité résistant au propane.

- Utiliser une clé pour serrer tous les raccords entre la cuisinière et la canalisation de gaz.



- |                                 |  |
|---------------------------------|--|
| A. Tuyau de gaz de 1/2" ou 3/4" | G. Raccord                                   |
| B. Robinet d'arrêt manuel       | H. Mamelon                                   |
| C. Mamelon                      | I. Coude à 90° (avec filetage mâle NPT 1/2") |
| D. Raccord                      | J. Détendeur                                 |
| E. Coude à 90°                  |  |
| F. Tuyau en fer noir            |  |

chapeau de brûleur correctement placé doit être horizontal. Si le chapeau de brûleur n'est pas correctement placé, le brûleur ne peut s'allumer.



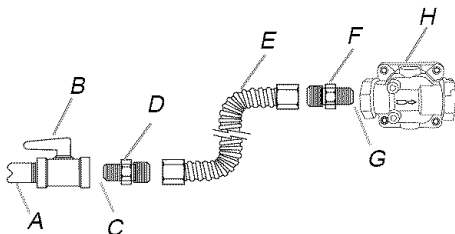
- A. Base de brûleur  
B. Chapeau de brûleur  
C. Grille de brûleur

- Placer les grilles de brûleur sur les brûleurs et chapeaux de brûleur tel qu'indiqué sur l'illustration. Lorsque les grilles sont bien installées, elles ne doivent pas être en chevauchement sur la console.

### Cuisinière autoportante

### Raccordement typique par raccord flexible

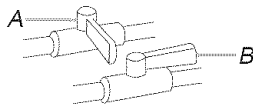
- Appliquer un composé d'étanchéité des filetages résistant au propane sur l'extrémité fileté la plus petite des adaptateurs de raccord flexible (voir C et G ci-dessous).
- Fixer un raccord d'adaptation sur le détendeur et l'autre raccord d'adaptation sur le robinet d'arrêt de la canalisation de gaz. Serrer les deux raccords d'adaptation.
- Utiliser une clé mixte de 15/16" et une pince multiprise pour fixer le raccord flexible sur les raccords d'adaptation. Veiller à ne pas déformer/écraser le raccord flexible.



- |                                       |   |
|---------------------------------------|---|
| A. Tuyau de gaz de 1/2" ou 3/4"       | F. Raccord d'adaptation (avec filetage mâle NPT 1/2") |
| B. Robinet d'arrêt manuel             | G. Appliquer un composé d'étanchéité.                 |
| C. Appliquer un composé d'étanchéité. | H. Détendeur  |
| D. Raccord d'adaptation               |   |
| E. Raccord flexible                   |   |

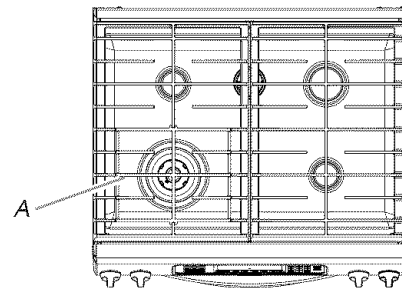
### Compléter le raccordement

- Ouvrir le robinet d'arrêt manuel sur la canalisation de gaz (la manette doit être parallèle au tuyau).



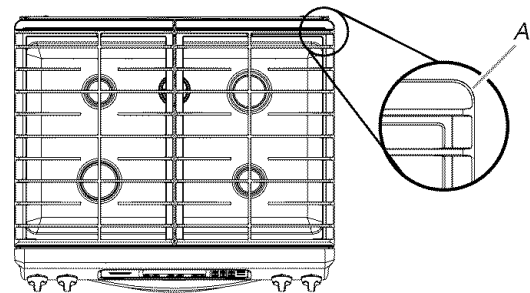
- A. Robinet d'arrêt fermé  
B. Robinet d'arrêt ouvert

- Effectuer une recherche des fuites : appliquer au pinceau sur les connexions une solution non corrosive de détection des fuites; la formation de bulles identifiera une fuite. Éliminer toute fuite constatée.
- Prendre les chapeaux de brûleur et grilles de brûleur dans le paquet de pièces. Aligner les encoches des chapeaux de brûleur avec les broches dans la base de chaque brûleur. Un



- A. La grille de brûleur pouvant accommoder un wok doit être installée sur le brûleur avant gauche.

### Cuisinière encastrée



- A. Positionner le rebord large au coin arrondi à l'arrière de la table de cuisson, vers l'extérieur.

- Brancher la cuisinière ou reconnecter la source de courant électrique. L'affichage devrait indiquer "Clock-Enter Time" (horloge-entrer l'heure). Pour plus de renseignements, consulter les instructions pour l'utilisateur dans le Guide d'utilisation et d'entretien.

## Systeme d'allumage électronique

### Allumage initial et réglages des flammes

À la place de flammes de veille, les brûleurs de la table de cuisson sont dotés d'allumeurs électroniques. Lorsqu'on place le bouton de commande d'un brûleur de la table de cuisson à la position "LITE" (allumage), le système génère une étincelle pour l'allumage du brûleur. La génération d'étincelles se poursuit aussi longtemps que le bouton de commande est laissé à la position "LITE".



## Contrôle du fonctionnement des brûleurs de la table de cuisson

### Brûleurs standard de la table de cuisson

Pousser et tourner le bouton de commande du brûleur à la position "LITE".

Les flammes doivent s'allumer sur le brûleur en moins de 4 secondes. Lors de l'allumage initial, le délai d'allumage peut être supérieur à 4 secondes du fait de la présence d'air dans la canalisation de gaz.

### Brûleur à flamme TripleTier®

#### Pour allumer le brûleur de mijotage :

Enfoncer et tourner le bouton de commande à la position "LITE".

Les flammes doivent s'allumer sur le brûleur en moins de 4 secondes. Lors de l'allumage initial du brûleur, le délai d'allumage peut être supérieur à 4 secondes du fait de la présence d'air dans la canalisation de gaz.

#### Pour allumer le brûleur haute puissance :

Enfoncer le bouton de commande à nouveau et le tourner à "POWER BURNER HI" pour allumer le brûleur externe.

Les flammes doivent s'allumer sur le brûleur en moins de 4 secondes. Lors de l'allumage initial du brûleur, le délai d'allumage peut être supérieur à 4 secondes du fait de la présence d'air dans la canalisation de gaz.

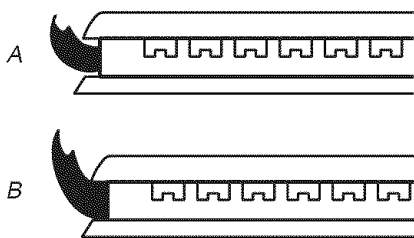
### Si le brûleur ne s'allume pas correctement :

- Ramener le bouton de commande de la table de cuisson à la position d'arrêt.
- Vérifier que la cuisinière est branchée et correctement alimentée (fusible grillé? disjoncteur ouvert?)
- Vérifier que chaque robinet d'arrêt est ouvert.
- Vérifier que le chapeau de brûleur est correctement placé sur la base du brûleur.

Répéter le processus de mise en marche. Si à ce point un brûleur ne s'allume pas, tourner les boutons de commande à "Off" (arrêt) et contacter le revendeur ou un dépanneur agréé.

## Réglage de la taille des flammes

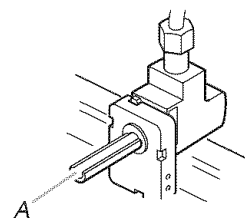
Régler la taille des flammes sur les brûleurs de la table de cuisson. Pour le réglage au débit thermique minimum, on doit observer des flammes stables bleues de 1/4" (0,64 cm).



A. Débit thermique minimum  
B. Débit thermique maximum

### Réglage des brûleurs standard :

La vis de réglage au centre de la tige de commande du robinet permet de régler la taille des flammes. La tige de commande est située directement au-dessous du bouton de commande.



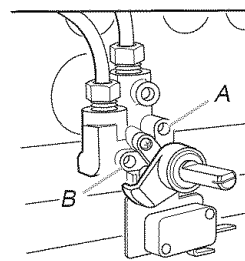
A. Tige de commande

### S'il est nécessaire de régler la taille des flammes pour le débit thermique minimum :

1. Ôter le bouton de commande.
2. Immobiliser la tige de commande avec une pince. Utiliser un petit tournevis à lame plate pour faire tourner la vis située au centre de la tige de commande; ajuster les flammes à la taille désirée.
3. Réinstaller le bouton de commande.
4. Tester le fonctionnement du brûleur : faire passer le bouton de commande de la position "LO" (bas) à la position "HI" (élevé) et observer les flammes pour chaque réglage.

### Réglage du brûleur à flamme TripleTier® :

1. Ôter le bouton de commande.
2. Insérer un tournevis à lame plate dans les emplacements de réglage indiqués dans l'illustration suivante et engager la vis dans les fentes. Tourner la vis jusqu'à ce que la flamme atteigne la taille correcte.



A. Réglage du brûleur de mijotage  
B. Réglage du brûleur haute puissance

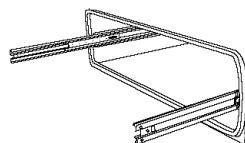
3. Réinstaller le bouton de commande.
4. Tester le fonctionnement du brûleur : faire passer le bouton de commande de la position "LO" (bas) à la position "HI" (élevé) et observer les flammes pour chaque réglage.

## Réinstallation des grilles du four et du tiroir-réchaud

Réinstaller les grilles dans la cavité du four. Réinstaller le tiroir-réchaud ou le tiroir de remisage.

### Réinstallation du tiroir-réchaud :

1. Aligner les glissières du tiroir avec les guides.



2. Pousser le tiroir complètement.

Ouvrir et fermer délicatement le tiroir pour s'assurer qu'il est bien engagé dans les glissières.

## Achever l'installation

1. Vérifier que toutes les pièces sont maintenant installées. S'il reste une pièce, passer en revue les différentes étapes pour découvrir laquelle aurait été oubliée.
2. Vérifier la présence de tous les outils.
3. Jeter ou recycler tous les matériaux d'emballage.
4. Vérifier que la cuisinière est d'aplomb. Voir "Réglage de l'aplomb de la cuisinière".
5. Utiliser une solution d'eau tiède et de nettoyant ménager doux pour éliminer tout résidu de cire laissé par les matériaux de protection de l'emballage. Sécher parfaitement avec un linge doux. Pour plus d'informations, consulter la section "Entretien de la cuisinière" dans le Guide d'utilisation et d'entretien.
6. Lire la section "Utilisation de la cuisinière" dans le Guide d'utilisation et d'entretien.
7. Mettre en marche les brûleurs de surface et le four. Pour des instructions spécifiques concernant l'utilisation de la cuisinière, consulter le Guide d'utilisation et d'entretien.

### Si la cuisinière ne fonctionne pas, contrôler ce qui suit :

- Fusible grillé ou desserré? Disjoncteur ouvert?
- Robinets de gaz à la position "open" (ouverture)?
- Si le robinet d'arrêt d'alimentation en gaz est ouvert, appuyer sur le bouton OFF (arrêt) sur le tableau de commande du four et contacter un électricien qualifié.
- Prise de courant correctement alimentée?
- Consulter la section "Dépannage" dans le Guide d'utilisation et d'entretien.

Après 5 minutes de fonctionnement de la cuisinière, vérifier la chaleur. Si la cuisinière est froide, l'éteindre et contacter un technicien qualifié.

## CONVERSIONS POUR CHANGEMENT DE GAZ

Les conversions pour changement de gaz naturel à propane ou de propane à gaz naturel doivent être effectuées par un installateur qualifié.

### ⚠ AVERTISSEMENT



#### Risque d'explosion

Utiliser une canalisation neuve d'arrivée de gaz approuvée par la CSA International.

Installer un robinet d'arrêt.

Bien serrer chaque organe de connexion de la canalisation de gaz.

En cas de connexion au gaz propane, demander à une personne qualifiée de s'assurer que la pression de gaz ne dépasse pas 36 cm (14 po) de la colonne d'eau.

Par personne qualifiée, on comprend :

le personnel autorisé de chauffage,  
le personnel autorisé d'une compagnie de gaz, et  
le personnel d'entretien autorisé.

Le non-respect de ces instructions peut causer un décès, une explosion ou un incendie.

### Conversion pour l'alimentation au propane

### ⚠ AVERTISSEMENT



#### Risque de basculement

Un enfant ou une personne adulte peut faire basculer la cuisinière ce qui peut causer un décès.

Joindre la bride antibasculement au pied arrière de la cuisinière.

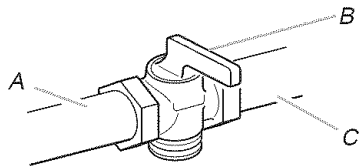
Joindre de nouveau la bride antibasculement si la cuisinière est déplacée.

Le non-respect de ces instructions peut causer un décès ou des brûlures graves aux enfants et aux adultes.

### Conversion du détendeur

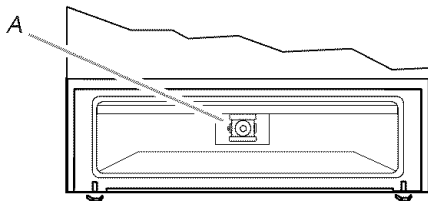
1. Fermer le robinet d'arrêt manuel.

- Débrancher la cuisinière ou déconnecter la source de courant électrique.



A. Vers la cuisinière  
B. Robinet d'arrêt manuel - manette à la position de fermeture  
C. Canalisation de gaz

- Retirer le tiroir-réchaud. Voir la section "Retrait du tiroir-réchaud" pour des instructions. Identifier le détendeur à l'arrière du tiroir-réchaud.
- Ôter le couvercle d'accès du détendeur.

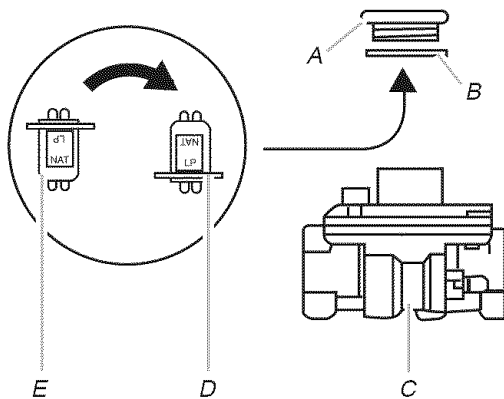


A. Détendeur

**IMPORTANT :** Ne pas enlever le détendeur.

#### Détendeur

- Utiliser une clé pour enlever le chapeau de l'ouverture d'accès; faire tourner le chapeau dans le sens antihoraire.
- Ôter la butée de ressort qui se trouve sous le chapeau - pousser contre le côté plat de la butée de ressort. Examiner la butée de ressort pour identifier la position "NAT" ou "LP".
- Orienter correctement la butée de ressort pour que la mention "LP" soit au fond.
- Réinstaller la butée de ressort dans le chapeau.
- Réinstaller le chapeau sur le détendeur.

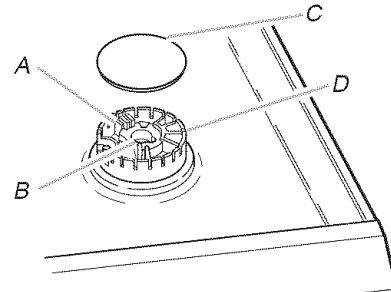


A. Chapeau de l'ouverture d'accès  
B. Joint d'étanchéité  
C. Détendeur

D. Ressort de retenue - position LP  
E. Ressort de retenue - position NAT

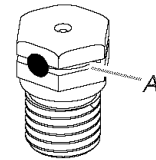
### Conversion des brûleurs standard de la table de cuisson

- Enlever le chapeau de brûleur.
- Avec un tournevis TORX® T20, enlever la base du brûleur.
- Appliquer du ruban adhésif de masquage à l'extrémité d'un tourne-écrou de 7 mm pour retenir le gicleur dans le tourne-écrou durant l'opération. Appuyer pour engager le tourne-écrou sur le gicleur; faire tourner le gicleur dans le sens antihoraire puis soulever pour l'enlever; conserver le gicleur.



A. Électrode d'allumage  
B. Ouverture du tube de gaz  
C. Chapeau de brûleur  
D. Base de brûleur

- Chaque gicleur est marqué d'un chiffre gravé et d'un point coloré, et comporte une rainure dans la zone hexagonale. Remplacer le gicleur pour gaz naturel par le gicleur correct pour propane.



A. Rainure

Le tableau qui suit permet de sélectionner le gicleur pour propane correct pour chaque brûleur.

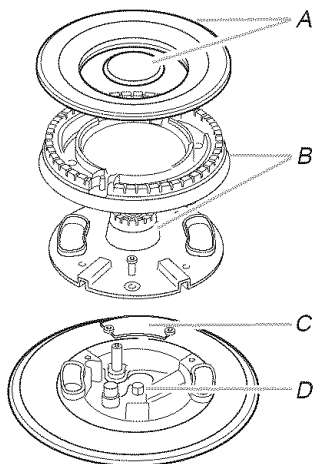
#### Gicleurs pour propane pour brûleurs standard de la table de cuisson

Position du brûleur	Capacité thermique du brûleur	Couleur	Taille
Côté avant droit	5 000 BTU/h	Rouge	0,70 mm
Côté avant gauche	13 000 BTU/h	Vert	1,10 mm
Côté arrière droit	10 000 BTU/h	Bleu	0,95 mm
Côté arrière gauche	5 000 BTU/h	Rouge	0,70 mm

- Placer les gicleurs pour gaz naturel dans le sachet de plastique, pour réutilisation ultérieure; conserver ces pièces avec les documents et manuels.
- Réinstaller le chapeau de brûleur.
- Répéter les étapes 1 à 6 pour chaque brûleur, sauf le brûleur à flamme TripleTier® (sur certains modèles). Voir la section "Conversion pour un brûleur à flamme TripleTier®".

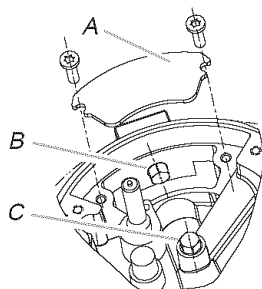
## Conversion pour un brûleur à flamme TripleTier® (sur certains modèles)

1. Enlever le chapeau de brûleur.
2. Utiliser un tournevis TORX® T20 pour enlever la tête du brûleur.
3. Enlever la plaque associée au gicleur externe.



A. Chapeaux de brûleur  
B. Têtes de brûleur  
C. Plaque de l'orifice d'accès pour gicleur externe  
D. Gicleur interne

**IMPORTANT :** Le brûleur à flamme TripleTier® comporte 2 gicleurs. Ne pas oublier de changer aussi le gicleur externe, situé sous la plaque.



A. Plaque  
B. Gicleur externe  
C. Gicleur interne

4. Appliquer du ruban adhésif de masquage à l'extrémité d'un tourne-écrou de 7 mm pour retenir le gicleur interne dans le tourne-écrou durant l'opération. Appuyer pour engager le tourne-écrou sur le gicleur; faire tourner le gicleur dans le sens antihoraire puis soulever pour l'enlever. Conserver le gicleur à part.
5. Utiliser une clé mixte de 7 mm pour enlever le gicleur externe. Faire tourner le gicleur dans le sens antihoraire. Conserver le gicleur à part.
6. Remplacer le gicleur pour gaz naturel par le gicleur pour propane correct. Le tableau qui suit permet de sélectionner le gicleur pour propane correct pour chaque cas.

### Gicleurs pour propane pour brûleurs à flamme TripleTier®

Position du brûleur	Capacité thermique du brûleur	Couleur	Taille
Côté avant gauche (brûleur externe TripleTier®)	11 800 BTU/h	Marron	1,00 mm
Côté avant gauche (brûleur interne TripleTier®)	2 200 BTU/h	Orange	0,42 mm

7. Réinstaller les composants du brûleur (plaque, tête et chapeau).
8. Placer les gicleurs pour gaz naturel dans le sachet de plastique pour réutilisation ultérieure; conserver ces pièces avec les documents et manuels.
9. Réinstaller le tiroir-réchaud. Voir la section "Réinstallation des grilles du four et du tiroir-réchaud" pour des instructions.
10. Achever l'installation. Voir les sections "Raccordement à la canalisation de gaz" et "Système d'allumage électronique".

Il est très important de vérifier l'établissement de flammes correctes sur les brûleurs de la table de cuisson. Il doit y avoir un petit cône interne bleu distinct de ¼" (0,6 cm) à ½" (1,3 cm). La partie externe des flammes n'est pas aussi distincte que le cône interne. Les flammes d'un brûleur alimenté au propane comportent une pointe légèrement jaune.

**IMPORTANT :** Il peut être nécessaire de modifier le réglage des flammes à la position "LO" (débit thermique minimum) pour chaque brûleur de la table de cuisson.

## Conversion pour l'alimentation au gaz naturel

### ⚠ AVERTISSEMENT



#### Risque de basculement

Un enfant ou une personne adulte peut faire basculer la cuisinière ce qui peut causer un décès.

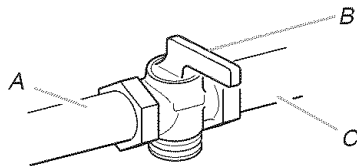
Joindre la bride antibasculement au pied arrière de la cuisinière.

Joindre de nouveau la bride antibasculement si la cuisinière est déplacée.

Le non-respect de ces instructions peut causer un décès ou des brûlures graves aux enfants et aux adultes.

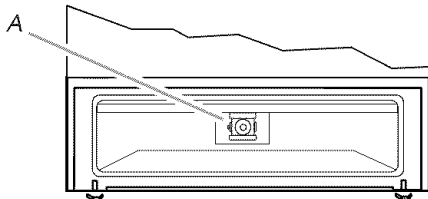
### Conversion du détendeur

1. Fermer le robinet d'arrêt manuel.
2. Débrancher la cuisinière ou déconnecter la source de courant électrique.



- A. Vers la cuisinière  
 B. Robinet d'arrêt manuel - manette à la position de fermeture  
 C. Canalisations de gaz

3. Retirer le tiroir-réchaud. Voir la section "Retrait du tiroir-réchaud" pour des instructions. Identifier le détendeur à l'arrière du tiroir-réchaud.
4. Ôter le couvercle d'accès du détendeur.

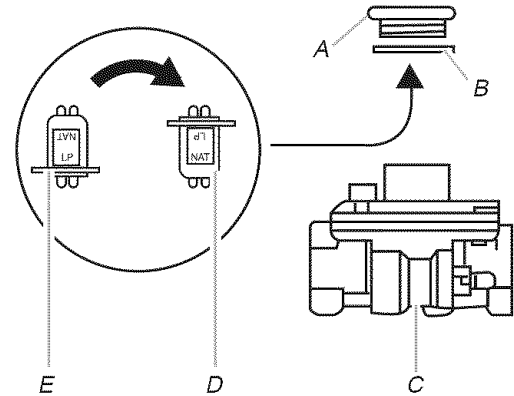


A. Détendeur

**IMPORTANT :** Ne pas enlever le détendeur.

### Détendeur

5. Utiliser une clé pour enlever le chapeau de l'ouverture d'accès; faire tourner le chapeau dans le sens antihoraire.
6. Ôter la butée de ressort qui se trouve sous le chapeau - pousser contre le côté plat de la butée de ressort. Examiner la butée de ressort pour identifier la position "LP" ou "NAT".
7. Orienter correctement la butée de ressort pour que la mention "NAT" soit au fond.
8. Réinstaller la butée de ressort dans le chapeau.
9. Réinstaller le chapeau sur le détendeur.

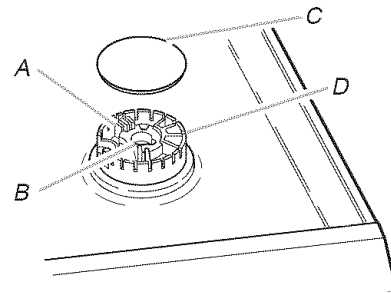


- A. Chapeau de l'ouverture d'accès  
 B. Joint d'étanchéité  
 C. Détendeur

- D. Ressort de retenue - position NAT  
 E. Ressort de retenue - position LP

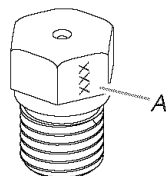
### Conversion des brûleurs standard de la table de cuisson

1. Enlever le chapeau de brûleur.
2. Avec un tournevis TORX® T20, enlever la base du brûleur.
3. Appliquer du ruban adhésif de masquage à l'extrémité d'un tourne-écrou de 7 mm pour retenir le gicleur dans le tourne-écrou durant l'opération. Appuyer pour engager le tourne-écrou sur le gicleur; faire tourner le gicleur dans le sens antihoraire puis soulever pour l'enlever; conserver le gicleur.



- A. Électrode d'allumage  
 B. Ouverture du tube de gaz  
 C. Chapeau de brûleur  
 D. Base de brûleur

4. Chaque gicleur est marqué d'un chiffre gravé sur le côté. Remplacer le gicleur pour propane par le gicleur correct pour gaz naturel.



A. Chiffre gravé

Le tableau qui suit permet de sélectionner le gicleur pour gaz naturel correct pour chaque brûleur.

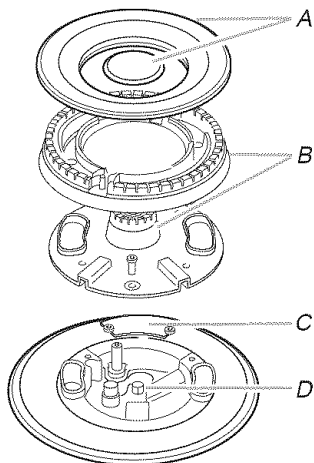
**Gicleurs pour gaz naturel pour brûleurs standard de la table de cuisson**

Position du brûleur	Capacité thermique du brûleur	Taille
Côté avant droit	6 000 BTU/h	1,10 mm
Côté avant gauche	14 000 BTU/h	1,70 mm
Côté arrière droit	12 500 BTU/h	1,61 mm
Côté arrière gauche	6 000 BTU/h	1,10 mm

- Placer les gicleurs pour propane dans le sachet de plastique, pour réutilisation ultérieure; conserver ces pièces avec les documents et manuels.
- Réinstaller le chapeau de brûleur.
- Répéter les étapes 1 à 6 pour chaque brûleur, sauf le brûleur à flamme TripleTier® (sur certains modèles). Voir la section "Conversion pour un brûleur à flamme TripleTier®".

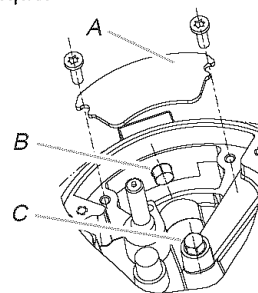
**Conversion pour un brûleur à flamme TripleTier® (sur certains modèles)**

- Enlever le chapeau de brûleur.
- Utiliser un tournevis TORX® T20 pour enlever la tête du brûleur.
- Enlever la plaque associée au gicleur externe.



A. Chapeaux de brûleur  
 B. Têtes de brûleur  
 C. Plaque de l'orifice d'accès pour gicleur externe  
 D. Gicleur interne

**IMPORTANT :** Le brûleur à flamme TripleTier® comporte 2 gicleurs. Ne pas oublier de changer aussi le gicleur externe, situé sous la plaque.



A. Plaque  
 B. Gicleur externe  
 C. Gicleur interne

- Appliquer du ruban adhésif de masquage à l'extrémité d'un tourne-écrou de 7 mm pour retenir le gicleur interne dans le tourne-écrou durant l'opération. Appuyer pour engager le tourne-écrou sur le gicleur; faire tourner le gicleur dans le sens antihoraire puis soulever pour l'enlever; conserver le gicleur à part.
- Utiliser une clé mixte de 7 mm pour enlever le gicleur externe. Faire tourner le gicleur dans le sens antihoraire; conserver le gicleur à part.
- Remplacer le gicleur pour propane par le gicleur pour gaz naturel correct. Le tableau qui suit permet de sélectionner le gicleur pour gaz naturel correct pour chaque cas.

**Gicleurs pour gaz naturel pour brûleurs à flamme TripleTier®**

Position du brûleur	Capacité thermique du brûleur	Taille
Côté avant gauche (brûleur externe TripleTier®)	12 200 BTU/h	1,70 mm
Côté avant gauche (brûleur interne TripleTier®)	2 800 BTU/h	0,70 mm

- Réinstaller les composants du brûleur (plaque, tête et chapeau).
- Placer les gicleurs pour propane dans le sachet de plastique, pour réutilisation ultérieure; conserver ces pièces avec les documents et manuels.
- Réinstaller le tiroir-réchaud. Voir la section "Réinstallation des grilles du four et du tiroir-réchaud" pour des instructions.
- Achever l'installation. Voir les sections "Raccordement à la canalisation de gaz" et "Système d'allumage électronique". Il est très important de vérifier l'établissement de flammes correctes sur les brûleurs de la table de cuisson et le brûleur du four. Les flammes d'un brûleur alimenté au gaz naturel ne comportent pas une pointe jaune.

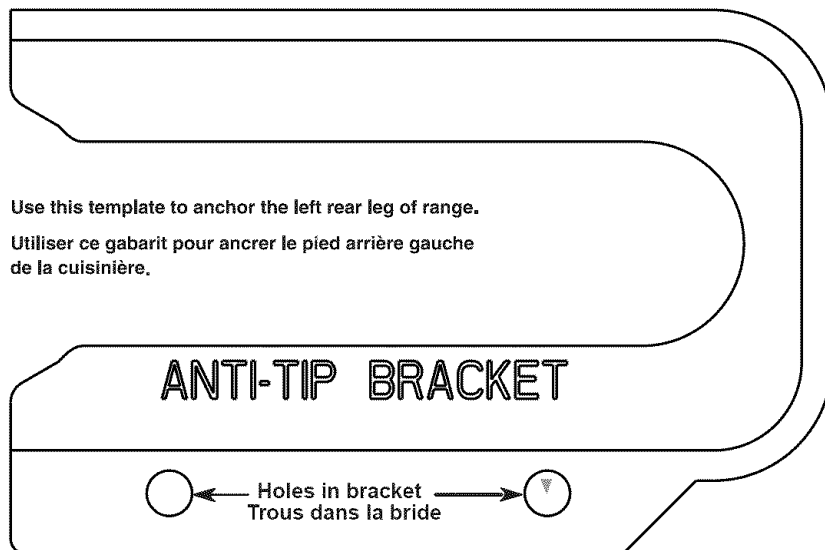
**IMPORTANT :** Il peut être nécessaire de modifier le réglage des flammes à la position "LO" (débit thermique minimum) pour chaque brûleur de la table de cuisson.

# ANTI-TIP BRACKET TEMPLATE

## GABARIT POUR LA BRIDE ANTIBASCULEMENT

Cut here and place top edge against the left side cabinet and right edge against rear wall.

Couper ici et placer le rebord supérieur contre le côté gauche du placard et le rebord droit contre la paroi arrière.



**W10118264A**

© 2007. All rights reserved.  
Tous droits réservés.

© Registered Trademark/TM Trademark of KitchenAid, U.S.A., KitchenAid Canada licensee in Canada  
© Marque déposée/TM Marque de commerce de KitchenAid, U.S.A., Emploi sous licence par KitchenAid Canada au Canada

2/07  
Printed in U.S.A.  
Imprimé aux É.-U.