

SEARS

**OWNERS
MANUAL**

**MODEL NO.
917.255917**

**Caution:
Read and Follow
All Safety Rules
And Instructions
Before Operating
This Equipment**



**CRAFTSMAN
GT 18HP TWIN
6 SPEED - 44" MOWER
GARDEN TRACTOR**

***Assembly
Operation
Maintenance
Repair and Adjustment
Repair Parts***

SAFETY RULES

1. Know the controls and how to stop quickly. READ THIS OPERATOR'S MANUAL and instructions furnished with attachments.
2. Do not allow children to operate the machine. Do not allow adults to operate it without proper instruction.
3. Do not carry passengers. Do not mow when children and others are around.
4. Always wear substantial footwear. Do not wear loose fitting clothing that could get caught in moving parts.
5. Keep your eyes and mind on your tractor, mower and the area being cut. Do not let other interests distract you.
6. Do not attempt to operate your tractor or mower when not in the drivers seat.
7. Always get on or off your tractor from the operator's left hand side.
8. Clear the work area of objects (wire, rocks, etc.) which might be picked up and thrown.
9. Disengage all attachment clutches before attempting to start the engine.
10. Disengage power to attachments and stop the engine before leaving the operator's position.
11. Disengage power to mower, stop the engine and disconnect spark plug wire(s) from spark plug(s) before cleaning, making an adjustment or repair. Be careful to avoid touching hot muffler or engine components.
12. Disengage power to attachments when transporting or not in use.
13. Take all possible precautions when leaving the vehicle unattended. Disengage the power-take-off, lower the attachments, shift into neutral, set the parking brake, stop the engine and remove the key.
14. Do not stop or start suddenly when going uphill or downhill. Mow up and down the face of slopes (not greater than 15°); never across the face. Refer to page 51.
15. Reduce speed on slopes and make turns gradually to prevent tipping or loss of control. Exercise extreme caution when changing direction on slopes.
16. While going up or down slopes, place Gear Shift Control Lever in 1st gear position to negotiate the slope without stopping.
17. Never mow in wet or slippery grass, when traction is unsure or at a speed which could cause a skid.
18. Stay alert for holes in the terrain and other hidden hazards. Keep away from drop-offs.
19. Do not drive too close to creeks, ditches and public highways.
20. Exercise special care when mowing around fixed objects in order to prevent the blades from striking them. Never deliberately run tractor or mower into or over any foreign objects.
21. Never shift gears until tractor comes to a stop.
22. Never place hands or feet under the mower, in discharge chute or near any moving parts while tractor or mower are running. Always keep clear of discharge chute.
23. Use care when pulling loads or using heavy equipment.
 - a. Use only approved drawbar hitch points.
 - b. Limit loads to those you can safely control.
 - c. Do not turn sharply. Use care when backing.
 - d. Use counterweight or wheel weights when suggested in the owner's manual.
24. Watch out for traffic when crossing or near roadways.
25. When using any attachments, never direct discharge of material toward bystanders nor allow anyone near the vehicle while in operation.
26. Handle gasoline with care - it is highly flammable.
 - a. Use approved gasoline containers .
 - b. Never remove the fuel cap of the fuel tank or add gasoline to a running or hot engine or an engine that has not been allowed to cool for several minutes after running. Never fill tank indoors, always clean up spilled gasoline.
 - c. Open doors if the engine is run in the garage - exhaust fumes are dangerous. Do not run the engine indoors.
27. Keep the vehicle and attachments in good operating condition, and keep safety devices in place and working.
28. Keep all nuts, bolts and screws tight to be sure the equipment is in safe working condition.
29. Never store the equipment with gasoline in the tank inside a building where fumes may reach an open flame or spark. Allow the engine to cool before storing in any enclosure.
30. To reduce fire hazard, keep the engine free of grass, leaves or excessive grease. Do not clean product while engine is running.
31. Except for adjustments; DO NOT operate Engine if air cleaner or cover directly over carburetor air intake is removed. Removal of such part could create a fire hazard.
32. Do not operate without a muffler or tamper with exhaust system. Damaged mufflers or spark arresters could create a fire hazard. Inspect periodically and replace if necessary.
33. The vehicle and attachments should be stopped and inspected for damage after striking a foreign object and the damage should be repaired before restarting and operating the equipment.
34. Do not change the engine governor settings or overspeed the engine; severe damage or injury may result.
35. When using the vehicle with mower, proceed as follows:
 - a. Mow only in daylight or in good artificial light.
 - b. Shut the engine off when unclogging chute.
 - c. Check the blade mounting bolts for proper tightness at frequent intervals.
36. Do not operate the mower without the deflector shield in place.
37. Disengage power to mower before backing up. Do not mow in reverse unless absolutely necessary and then only after careful observation of the entire area behind the mower.
38. Under normal usage the grass catcher bag material is subject to deterioration and wear. It should be checked frequently for bag replacement. Replacement bags should be checked to ensure compliance with the original manufacturer's recommendations or specifications.



CAUTION:

LOOK FOR THIS SYMBOL TO POINT OUT IMPORTANT SAFETY PRECAUTIONS. IT MEANS - ATTENTION! BECOME ALERT! YOUR SAFETY IS INVOLVED.

LOOK FOR THIS WORD TO POINT OUT IMPORTANT EQUIPMENT PRECAUTIONS.

WARNING: This unit is equipped with an internal combustion engine and should not be used on or near any unimproved forest-covered, brush-covered or grass covered land unless the engine's exhaust system is equipped with a spark arrester meeting applicable local or state laws (if any). If a spark arrester is used, it should be maintained in effective working order by the operator.

In the State of California the above is required by law (Section 4442 of the California Public Resources Code). Other states may have similar laws. Federal laws apply on federal lands. See your Sears Authorized Service Center for spark arrester. See Repair Parts page 34.

CONGRATULATIONS on your purchase of a Sears GT 18HP Garden Tractor. It has been designed, engineered and manufactured to give you the best possible dependability and performance.

Should you experience any problem you cannot easily remedy, please contact your nearest Sears Service Department. They have competent, well-trained technicians and the proper tools to service or repair this unit.

Please read and retain this manual. The instructions will enable you to assemble and maintain your Tractor properly. Always observe the "SAFETY RULES".

MODEL NUMBER _____
SERIAL NUMBER _____
DATE OF PURCHASE _____

THE MODEL AND SERIAL NUMBERS WILL BE FOUND ON THE MODEL PLATE ATTACHED TO THE FENDER.

YOU SHOULD RECORD BOTH SERIAL NUMBER AND DATE OF PURCHASE AND KEEP IN A SAFE PLACE FOR FUTURE REFERENCE.

MAINTENANCE AGREEMENT

A Sears Maintenance Agreement is available on this product. Contact your nearest Sears store for details.

YOUR NEW GT 18 HP GARDEN TRACTOR FEATURES...

CRAFTSMAN 18 H.P. TWIN-CYLINDER ENGINE--cool-running performance and long life with plenty of power to take on a variety of yard, gardening or snow removal tasks.

ALL GEAR TRANSAXLE--six speeds forward, two reverse speeds--to let you select the proper speed for the terrain and the job. Automotive--type differential helps guard against turf scuffing.

CONTROL PANEL--with Throttle, Choke, Light Switch, Ignition Switch, Parking Brake Lever and Clutch Switch--conveniently grouped for ease of use.

ATTACHMENT VERSATILITY--handles a large variety of Sears Yard and Garden Tractor Attachments. See pages 49-50.

CUSTOMER RESPONSIBILITIES

Read and observe the safety rules. Always use care when using your tractor. Keep away from moving parts. DO NOT work on your tractor with engine running. Always keep your tractor and mower clean. Follow a regular schedule in maintaining, caring for and using your tractor. A well cared for tractor will run and last longer. Follow the instructions under "Maintenance" and "Storage" sections of this Owner's Manual.

LIMITED TWO YEAR WARRANTY ON ELECTRIC START RIDING EQUIPMENT

For two years from date of purchase, when this riding equipment is maintained, lubricated, and tuned up according to the operating and maintenance instruction in the owner's manual, Sears will repair free of charge any defect in material or workmanship in this electric start riding equipment.

This warranty excludes blade(s), blade adapter(s), spark plug(s), air cleaner and belt(s), which are expendable and become worn during normal use.

This warranty does not cover:

- Tire replacement or repair caused by punctures from outside objects (such as nails, thorns, stumps, or glass); and
- repairs necessary because of operator abuse or negligence, including the failure to maintain the equipment according to instructions contained in the owner's manual; and
- riding equipment used for commercial or rental purposes.

FULL 90-DAY WARRANTY ON BATTERY

For 90 days from the date of purchase, if any battery included with this riding equipment proves defective in material or workmanship and our testing determines the battery will not hold a charge, Sears will replace the battery at no charge.

WARRANTY SERVICE IS AVAILABLE BY CONTACTING THE NEAREST SEARS SERVICE CENTER/DEPARTMENT IN THE UNITED STATES. This warranty applies only while this product is in use in the United States.

This warranty gives you specific legal rights, and you may also have other rights which may vary from state to state.

SEARS, ROEBUCK and CO., D/698-731A, Sears Tower, Chicago, Il 60684

INDEX

A	F	Stopping Your Tractor 12
Adjustments:	Filter, Air 17	Tractor Operation on Hills 14
Attachment Lift Spring 25	Fuel:	Options
Brake 16	Type 12	Attachments 49,50
Carburetor 20	Storage 26	Spark Arrester 2
Electric Clutch 21	Fuse 23	
Gauge Wheels 13	G	P
Motion Drive Belt 22	Gauge Wheels 13	Parts Bag 5,6
Mower Drive Belt 10	H	
Mower	Hood Removal 23	R
Front-To-Rear 24		Repair and Adjustments 19-26
Side-To-Side 24	L	Attachment Lift Spring 25
Throttle Control Cable 20	Lubrication:	Blade Drive Belt 25
Air Filter	Chart 18	Blade 26
Cleaning 17	Steering & Front Wheels 19	Carburetor 20
Paper Cartridge 17	Tractor Pivot Points 18	Electric Clutch 21
Air Intake Screen, Engine 19		Fuse 23
Assembly 5-10	M	Hood Removal 23
Attachment Lift Spring Adjustment 25	Maintenance 15-19	Motion Drive Belt 21
Attachments 49-50	Air Filter 17	Motion Drive Belt Replacement 21
B	Air Filter Paper Cartridge 17	Mower Front-to-Rear 24
Battery:	Air Screen 19	Mower Side-to-Side 24
Charging 7	Battery 17	Mower Removal 23
Cleaning 18	Blade Sharpening 17	Throttle Control Cable 20
Installation 8	Brake Adjustment 16	Transaxle Oil Level 23
Levels 17	Engine oil 15	
Preparation 7	Lubrication 18	S
Starting with Weak Battery 19	Spark Plugs 19	Safety Rules 2
Storage 26	Tire Care 17	Seat 7
Terminals 18	Mower:	Service Record 28
Belt:	Adjustment, Front-to-Rear 24	Slope Guide Sheet 51
Blade Drive (Blade-to-Blade)	Adjustment, Side-to-Side 24	Spark Plugs 19
Removal/Replacement 25	Blade Sharpening 17	Speed Control Chart 14
Motion Drive Adjustment 22	Blade Replacement 26	Starting the Engine 12
Motion Drive, Remove/Replace 21	Cutting Level 10	Steering Wheel 8
Mower Drive (Engine-to-Mower)	Installation 10	Stopping the Tractor 12
Adjustment 10	Operation 13	Storage 26
Mower Drive Belt Installation 10	Removal 23	
Blade:	Mowing Tips 14	T
Sharpening 17	Muffler 19	Throttle Control Cable Adjustment 20
Replacement 26	Spark Arrester 2	Tires 17
Brake Adjustment 16	O	Transaxle Oil Level 23
C	Oil	Trouble Shooting Chart 27
Carburetor Adjustment 20	Cold Weather Conditions 16	
Clutch, Electric, Adjustment 21	Engine 15	W
Controls, Tractor 11	Transaxle 23	Warranty 3
Cutting Level, Mower 10	Storage 26	Wiring (Schematic) 29
E	Operation 11-14	
Engine:	Operating/Tractor and Mower 13	
Air Screen 19	Speed 14	
Oil Change 18	Starting the Engine 12	
Oil Level 16		
Oil Type 16		
Starting 12		
Storage 26		

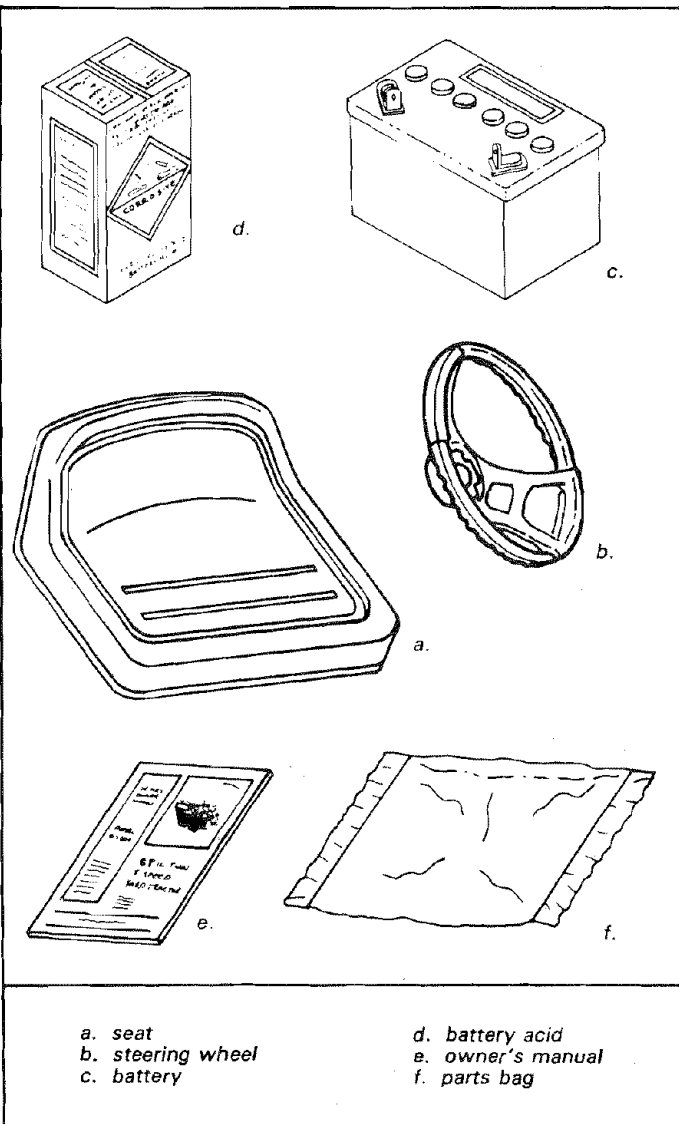
ASSEMBLY


Know Your Tractor

READ THIS OWNER'S MANUAL BEFORE OPERATING YOUR GARDEN TRACTOR. If you understand the machine and its operation, you will achieve efficient and peak performance. While reading the manual, compare the illustrations with your Garden Tractor to familiarize yourself with the location of various controls and adjustments. Study the operating instructions and safety precautions thoroughly to insure proper functioning of your Garden Tractor and to prevent injury to yourself and others. Be sure to pay strict attention to all notes and cautions; they are included for your safety. Save this manual for future reference.

Unpacking Instructions


1. Remove box from carton. The box contains the items shown below.
2. Cut down four corners of the carton with a utility knife and fold down sides.
3. Remove mower deck from skid.
4. Disengage Parking Brake.
5. Carefully guide the tractor backwards off the skid.



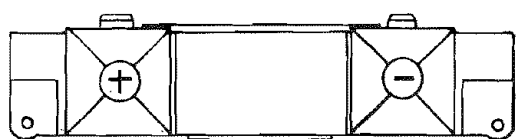


The operation of any tractor can result in foreign objects thrown into the eyes, which can result in severe eye damage. Always wear safety glasses or eye shields before starting your tractor and while mowing. We recommend Wide Vision Safety Mask for over the spectacles or standard safety glasses, available at Sears Retail or Catalog Stores.

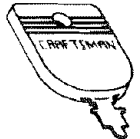
Parts Bag Contents Not Shown Full Size:



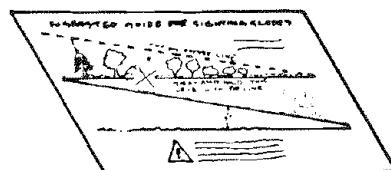
(2) Battery Carriage Bolts - 1/4 - 20 x 7 - 1/2



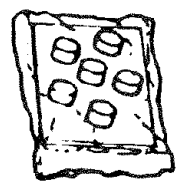
Terminal Guard



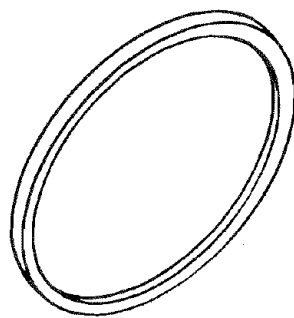
(2) Keys



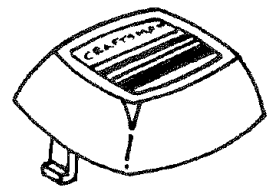
15° Slope Instruction Sheet



BATTERY CAPS & INSTRUCTIONS

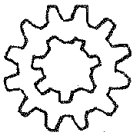





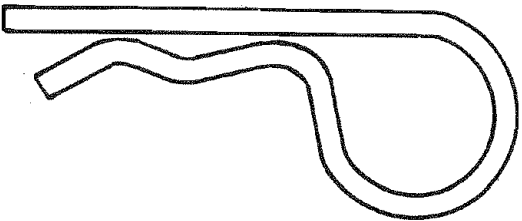
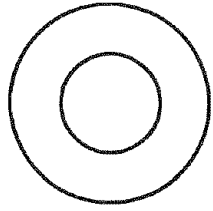
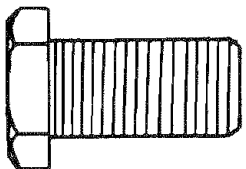
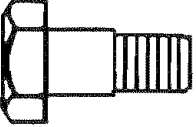

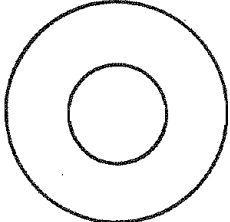
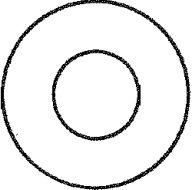


V-Belt

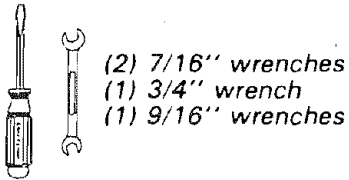


Steering Wheel Cap

ASSEMBLY

ASSEMBLY LOCATION	PARTS BAG CONTENTS SHOWN FULL SIZE	
BATTERY	 (2) Lockwasher, 1/4 Int/Ext Tooth	 (2) Wing Nut - 1/4 - 20
BATTERY TERMINALS	 (2) Hex Bolt, 1/4 - 20 x 3/4  (2) Lockwasher 1/4	 (2) Washer 9/32 x 5/8 x 16 Ga.  (2) Hex Nut, 1/4 - 20
SUSPENSION ARMS	 (4) Spring Retainer	 (4) Washer 17/32 x 1 - 1/16 x 13 Ga.
SEAT	 (1) Hex Bolt, 1/2 - 13 x 1 Grade 5  (1) Shoulder Bolt 5/16 - 18	 (1) Lockwasher 1/2  (1) Washer 17/32 x 1-3/16 x 12 Ga.  (1) Washer 15/32 x 1 x 16 Ga.

To assemble and adjust your tractor you will need:



(2) 7/16" wrenches
(1) 3/4" wrench
(1) 9/16" wrenches

(2) 1/2" wrenches
Tire Pressure Gauge
Screwdriver
Utility Knife

NOTE: RIGHT HAND (R.H.) AND LEFT HAND (L.H.) ARE DETERMINED FROM OPERATOR'S POSITION WHILE SEATED ON THE TRACTOR.

WEAR EYE AND FACE SHIELD.



WASH HANDS OR CLOTHING IMMEDIATELY IF ACCIDENTALLY IN CONTACT WITH ELECTROLYTE.

DO NOT SMOKE, FUMES FROM CHARGED ELECTROLYTE ARE EXPLOSIVE.

NOTE: THIS TRACTOR IS EQUIPPED WITH AN OPERATOR PRESENCE SENSING SWITCH. ANY ATTEMPT BY THE OPERATOR TO LEAVE THE SEAT WITH THE ENGINE RUNNING AND ATTACHMENT CLUTCH ENGAGED WILL SHUT OFF THE ENGINE.

1. Prepare Battery



READ INSTRUCTIONS INCLUDED WITH THE BATTERY VENT CAPS FOUND IN BAG OF PARTS. ALWAYS WEAR GLOVES, CLOTHING AND GOGGLES TO PROTECT YOUR HANDS, SKIN AND EYES.

- Fill and charge battery (before installing). NOTE: SEE DETAILED INSTRUCTIONS PACKAGED WITH BATTERY VENT CAPS IN BAG OF PARTS.
- Fill battery with electrolyte to bottoms of tubes in cells (Fig. 1). NOTE: DO NOT OVERFILL. OVERFILLING WILL RESULT IN DAMAGE TO TRACTOR.
- Check level of electrolyte after 30 minutes. Add additional electrolyte if necessary. NOTE: TIGHTEN VENT CAPS SECURELY.
- Charge battery at a rate of six amperes for one hour.
- Neutralize excess electrolyte for disposal by adding it to four inches of water in a five gallon plastic container. Stir with a wooden or plastic paddle while adding baking soda until the addition of more soda causes no more foaming.

2. Install Seat

Seat position should be adjusted forward or backward so that the operator can comfortably reach Clutch/Brake Pedal and safely operate the tractor (Fig. 2).

- Place seat on seat pan. Screw hex head bolt, lockwasher and flat washer into seat (Fig 2). Screw shoulder bolt and flat washer into seat (Fig 2). Hex bolt, shoulder bolt and washers found in bag of parts (shown full size page 6).
- Tighten shoulder bolt and flat washer using a 1/2" wrench.
- Tighten hex bolt (adjustment bolt), lockwasher and flat washer using a 3/4" wrench.

ASSEMBLY

- Place seat in operating position. Sit on the seat and press clutch/brake pedal all the way down. If operating position is not comfortable, adjust seat.
- To adjust: Raise seat. Loosen adjustment bolt. Slide seat to desired position. Tighten adjustment bolt securely.

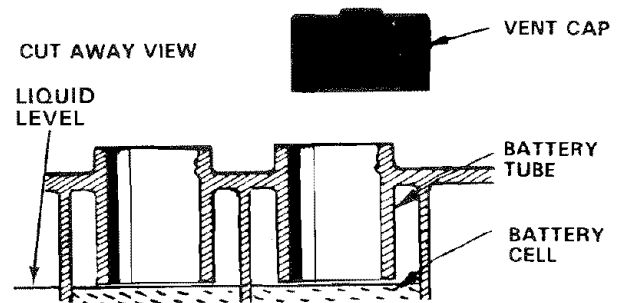


FIGURE 1

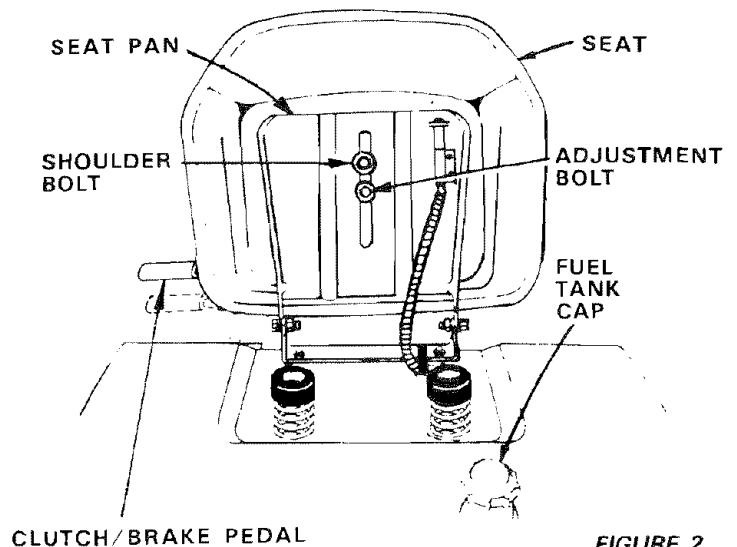


FIGURE 2



THE MACHINE SCREW-LOCKWASHER-FLAT WASHER MUST BE TIGHTENED SECURELY TO PREVENT MOVEMENT OF SEAT.

ASSEMBLY

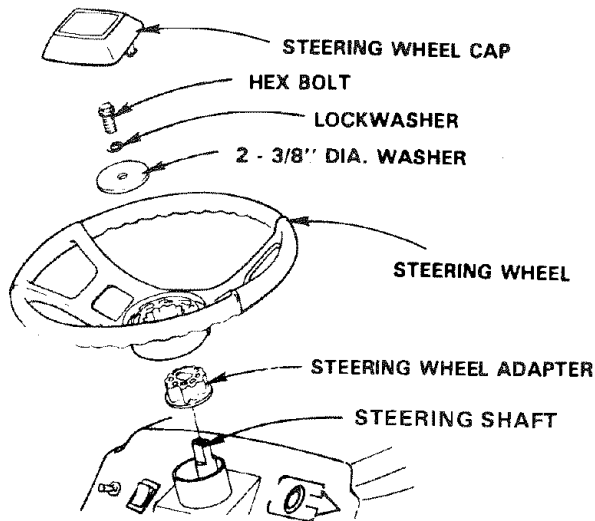


FIGURE 3

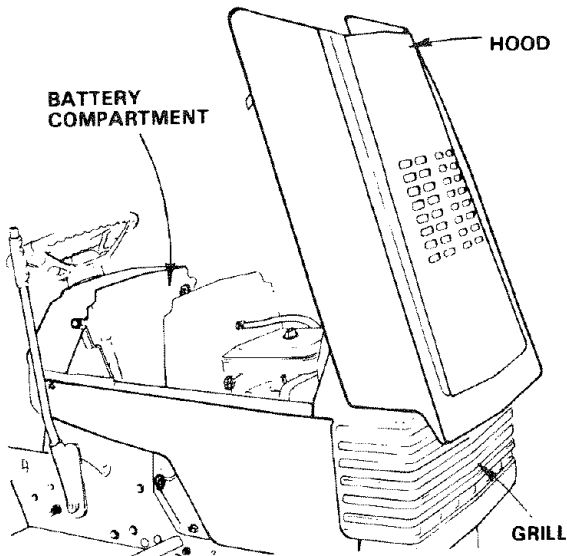


FIGURE 4

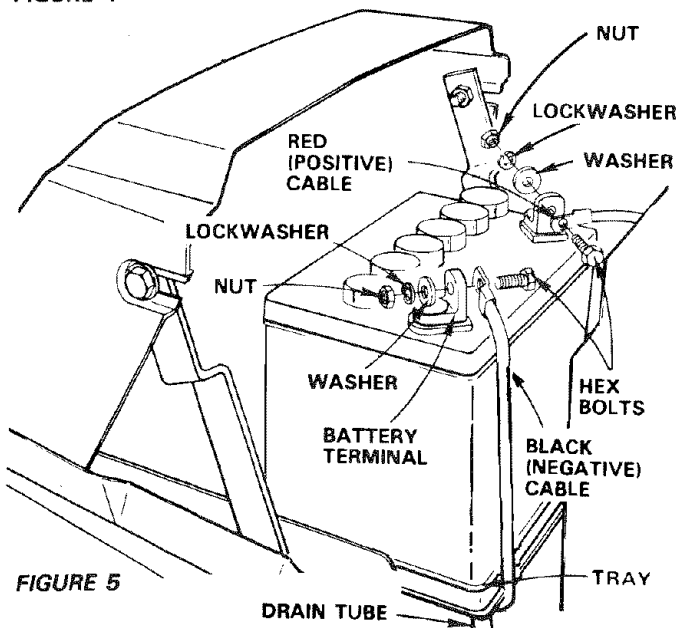
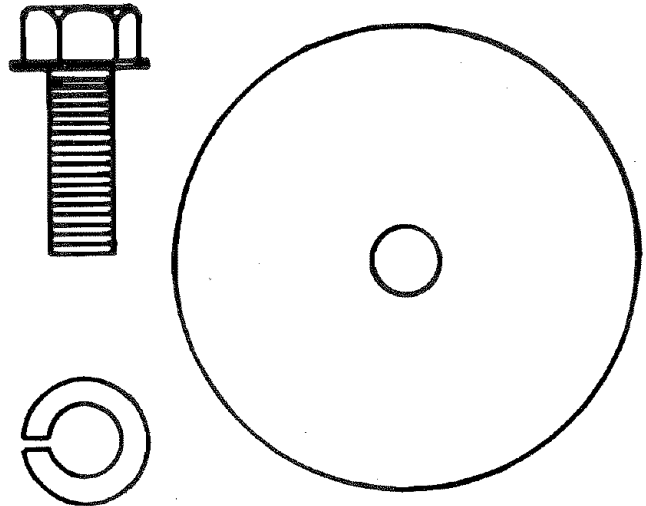


FIGURE 5

3. Install Steering Wheel

NOTE: POSITION FRONT WHEELS FORWARD.

- a. Use a 9/16" wrench to remove hex bolt, lockwasher and 2-3/8" diameter washer (shown full size below) from steering shaft (Fig. 3)



- b. Position steering wheel over steering adaptor.
- c. Secure steering wheel to steering shaft using hex bolt, lockwasher and 2-3/8" diameter washer (Fig. 3).
- d. Snap steering wheel cap in place on steering wheel. Steering wheel cap found in bag of parts.

4. Check Tires

Reduce tire pressure to 14 PSI in front and 10 PSI in rear tires. (Tires were overinflated for shipping purposes).

DO NOT SHORT BATTERY TERMINALS.



BEFORE INSTALLING BATTERY, REMOVE METAL BRACELETS, WRISTWATCH BANDS, RINGS, ETC.

5. Install Battery

- a. Remove hood - See page 23.
- b. Remove tape from plastic tray. Make sure drain tube (Fig. 5) is fastened to drain hole in battery tray and battery tray is positioned in hole of battery support.
- c. Place battery in plastic tray (Battery terminals to front of tractor)(Fig. 5).

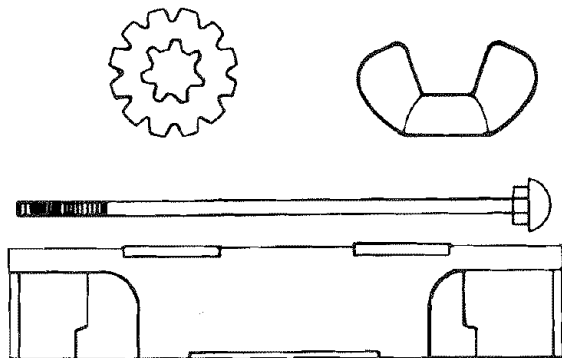


POSITIVE TERMINAL MUST BE CONNECTED FIRST TO PREVENT SPARKS FROM ACCIDENTAL GROUNDING.

- d. Connect **RED** battery cable to positive (+) battery terminal with hex bolt, flat washer, lockwasher and hex nut (shown full size on page 6) found in bag of parts (Fig. 6). Tighten securely with two 7/16" wrenches.
- e. Connect **BLACK** ground cable to negative (-) battery terminal with remaining hex bolt, flat washer, lockwasher and hex nut (shown full size on page 6) found in bag of parts (Fig. 6). Tighten securely.

NOTE: IF YOU HAVE A WEAK BATTERY, SEE "STARTING YOUR TRACTOR WITH A WEAK BATTERY" PAGE 19.

- f. Using the square hole on one side of the battery support (Fig. 6) insert one battery bolt, head of bolt down. Fasten the battery bolt to the terminal guard using int./ext. lockwasher and wing nut as shown in Fig. 6.
- g. Assemble the remaining battery bolt to other side of battery support and fasten terminal guard to it with remaining int./ext. lockwasher and wing nut. Tighten wing nuts securely by hand (Fig. 6).



h. Remove Plastic on tractor hood and close

- NOTE: USE TERMINAL ACCESS DOORS (FIG. 6) FOR:
1. INSPECTION FOR SECURE CONNECTIONS (TIGHTEN HARDWARE)
 2. INSPECTION FOR CORROSION
 3. TESTING BATTERY
 4. JUMPING (IF REQUIRED)
 5. CHARGING (IF REQUIRED)



**KEEP TERMINAL ACCESS DOORS CLOSED WHEN NOT IN USE.
DO NOT START ENGINE UNTIL MOWER SUSPENSION BRACKET HAS BEEN RELEASED. SEE MOWER DRIVE BELT INSTALLATION, PAGE 10.**

ASSEMBLY

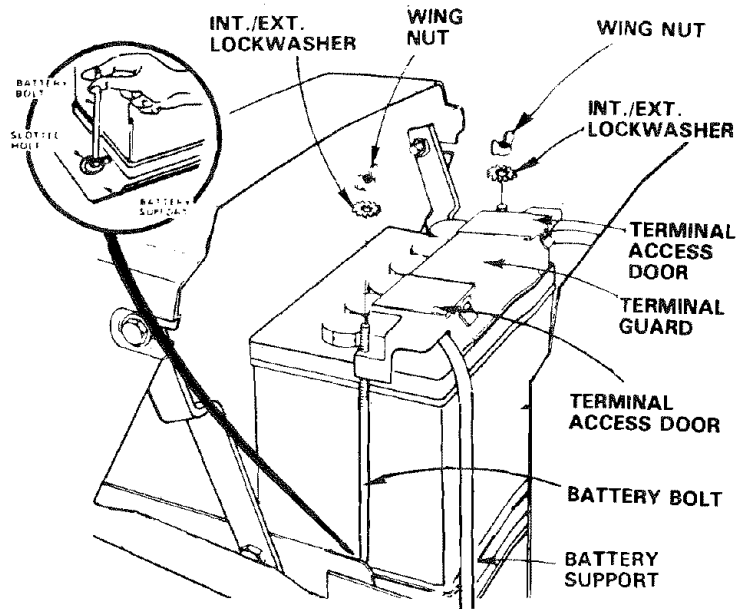


FIGURE 6

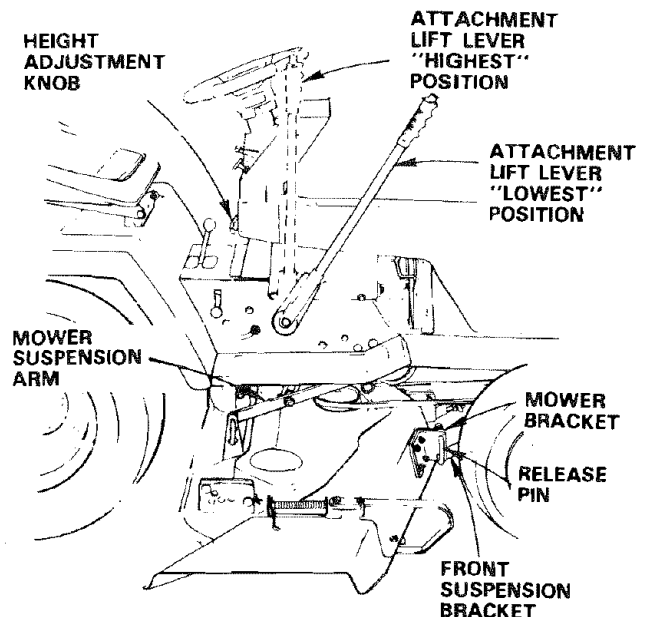


FIGURE 7

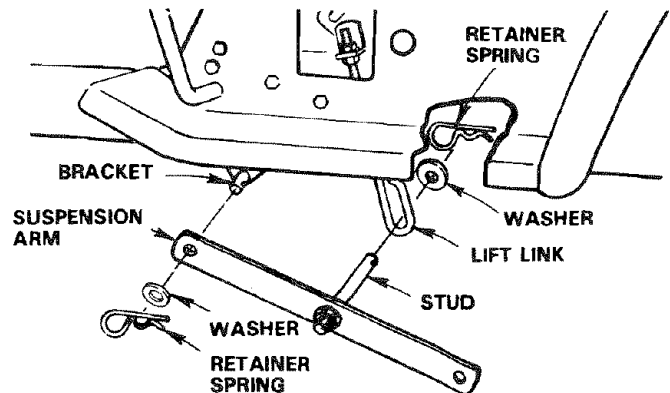


FIGURE 8

ASSEMBLY

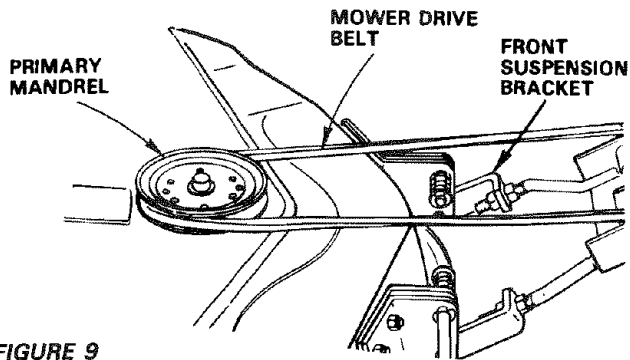


FIGURE 9

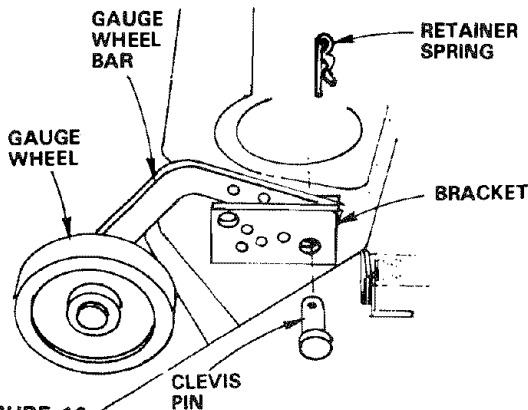


FIGURE 10

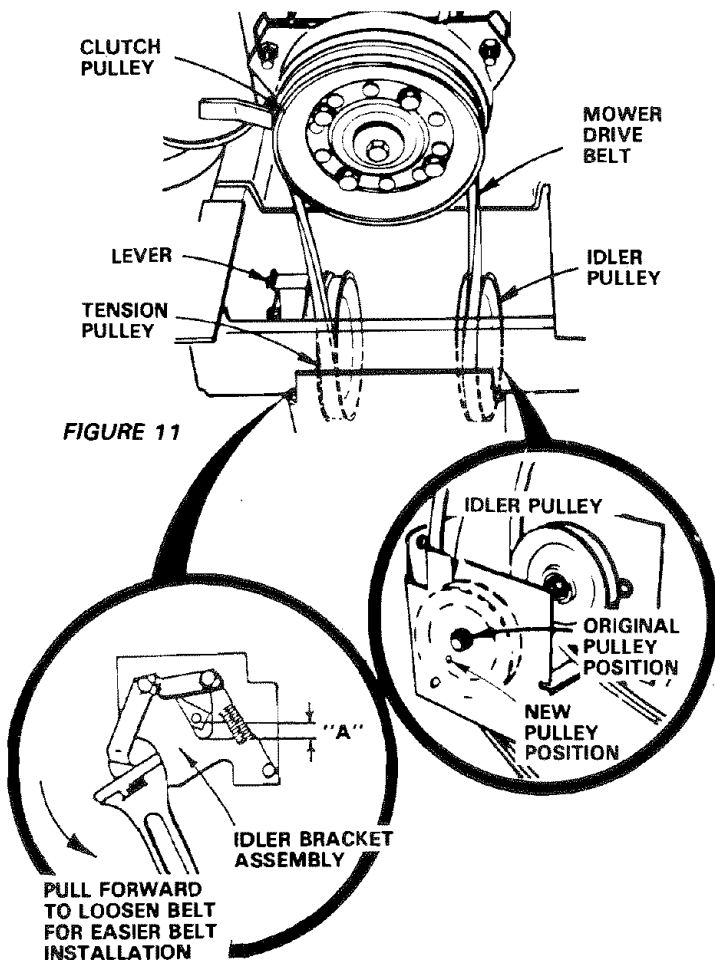


FIGURE 11

6. Mower Installation

- Remove band from mower suspension bracket.
- Remove banding from suspension arms (Fig. 7).
- Slide mower under tractor, deflector to R.H. side.
- Slide front suspension brackets into mower brackets. Retain with release pins (Fig. 7).
- Turn depth adjustment knob counterclockwise () until it stops.
- Push attachment lift lever forward to lower mower to ground (page 11).
- Slide studs through lift links on both sides of tractor (Fig. 8). Retain with washers and retainer springs found in bag of parts.
- Place the suspension arms on brackets on both sides of the frame (Fig. 8). Retain with washers and retainer springs found in bag of parts.
- Turn height adjustment knob (Fig. 7) clockwise () to remove slack from mower suspension.
- Roll drive belt over primary mandrel (Fig. 9).

7. Mower Drive Belt Installation

- Remove hood and grill (See page 23).
- Place mower drive belt over clutch pulley and under idler pulley and tension pulley (Fig. 11). NOTE: PULL LEVER UP TO SWING TENSION PULLEY FOR BELT CLEARANCE. Make sure narrow "V" side of belt is engaged in each pulley.
- Pull mower drive belt over front mower suspension bracket (Fig. 9).
- Replace hood and grill.

8. Mower Drive Belt Adjustment

- Lower mower using attachment lift lever.
- If dimension "A" on idler bracket assembly measures 1/4" or less, mower drive belt must be adjusted (Fig. 11-Inset).
- Disengage attachment clutch switch.
- Using two 9/16" wrenches, remove bolt, (2) washers, lockwasher and nut from idler pulley (Fig. 11-Inset) (original position).
- Place v-belt and idler pulley in "NEW" pulley position (Fig. 11-Inset). Replace bolt, (2) washers, lockwasher and nut. Tighten securely.
- Check v-belt for proper installation on all pulley grooves.

9. Check the Cutting Level

The blade housing was set at the factory to cut level. After mowing a short distance, look at the area that was cut. If the blade housing cuts uneven; see the instructions on "Side-to-Side And Front-to-Rear Mower Adjustment" (page 24)".

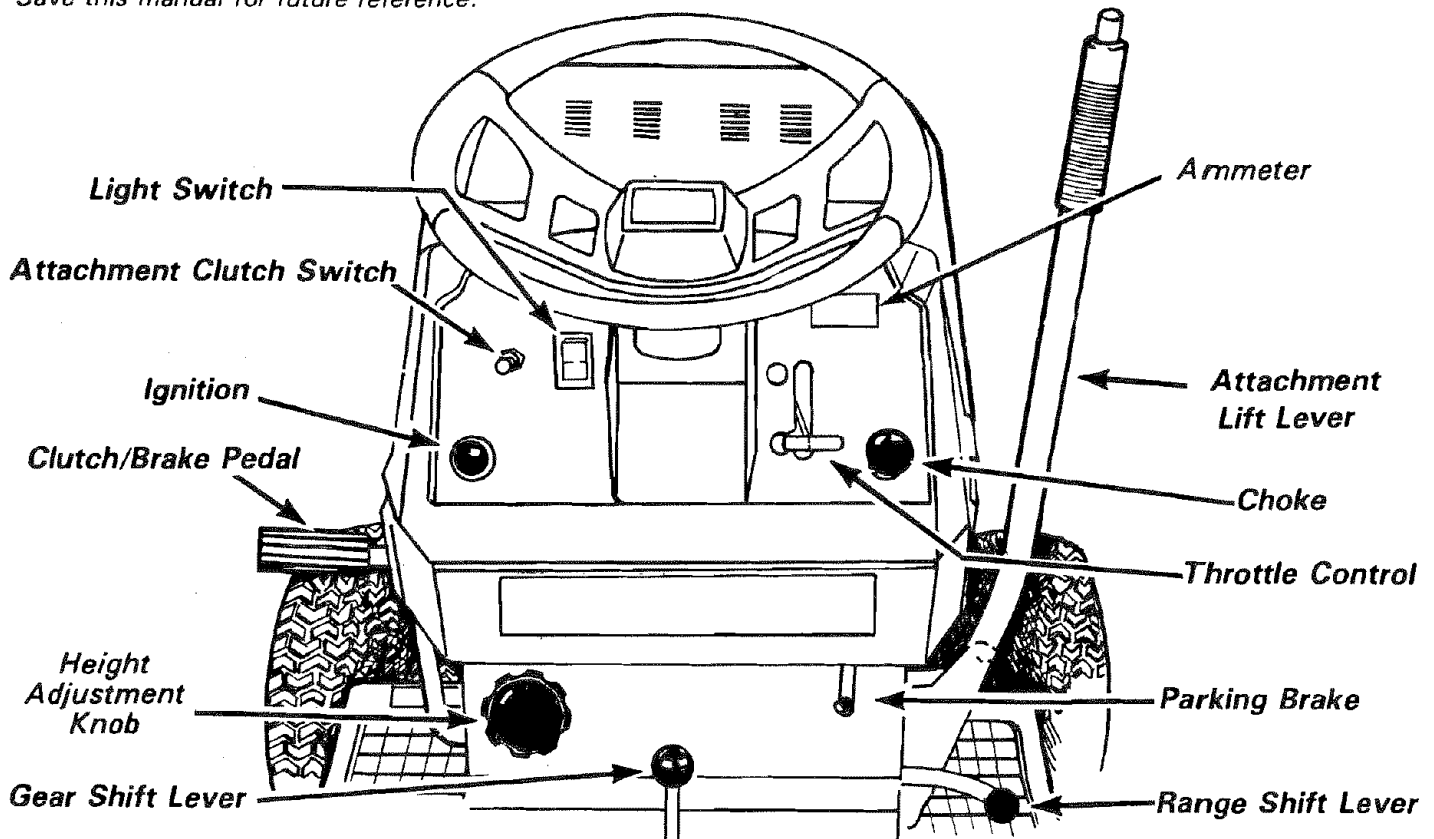
10. Final Assembly

- Make sure all fasteners are tight.
- Read and follow the operation instructions (page 11). Know the location and purpose of all controls.
- Check oil and gasoline before starting the tractor.

OPERATION

KNOW YOUR TRACTOR

READ THIS OWNER'S MANUAL BEFORE OPERATING YOUR GARDEN TRACTOR. If you understand the machine and its operation, you will achieve efficient and peak performance. While reading the manual, compare the illustrations with your Garden Tractor to familiarize yourself with the location of various controls and adjustments. Study the operating instructions and safety precautions thoroughly to insure proper functioning of your Garden Tractor and to prevent injury to yourself and others. Be sure to pay strict attention to all notes and cautions; they are included for your safety. Save this manual for future reference.



ATTACHMENT CLUTCH SWITCH: Pull switch out and up to engage attachment. There will be an engine hesitation as the clutch engages.

ATTACHMENT LIFT LEVER: Use the attachment lift lever to raise and lower the attachment mounted to your tractor. Move the lift lever forward to lower attachment.

CHOKER: To start a cold engine, pull choke out to engage.

CLUTCH/BRAKE PEDAL: The pedal has 2 functions: a clutch and a brake. To engage push the pedal completely down.

HEIGHT ADJUSTMENT KNOB: Use the height adjustment knob to adjust the mower height. With attachment lift lever in the full "UP" position, turn clockwise (↻) to raise mower and counterclockwise (↻) to lower mower.

GEARSHIFT: Press the clutch/brake pedal down firmly and move gear shift lever to desired speed.

IGNITION: Place key in ignition and turn to the right to start.

AMMETER: Each time you start your tractor, check your ammeter. The needle should move towards the (+) charging mark indicating the battery is being charged as you operate the tractor. The headlights will not show a discharge on the ammeter because they are not connected to the battery (they have their own electrical source).

LIGHT SWITCH: Turns on and off the headlights.

PARKING BRAKE LOCK: To set the parking brake, push the clutch/brake pedal completely forward. Place the parking brake lever in "Engaged" position and release pressure from pedal. Clutch/brake pedal will remain in brake position.

RANGE SHIFT LEVER: The Hi-Lo range shift lever gives you the versatility of 6 speed selections: Lo 1, 2, 3, and Hi 1, 2, 3.

THROTTLE CONTROL: Use the throttle control to increase or decrease the speed of the engine.

OPERATION

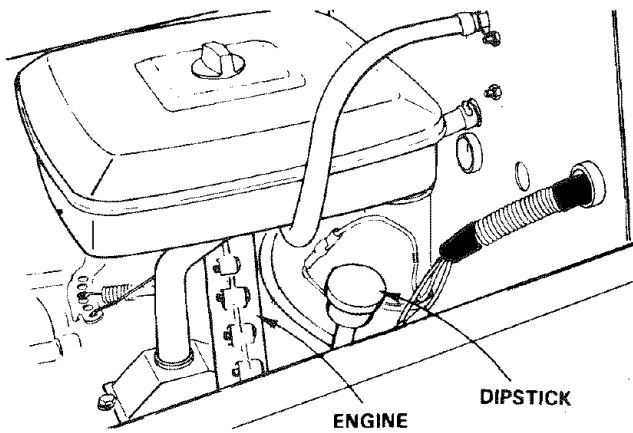


FIGURE 12

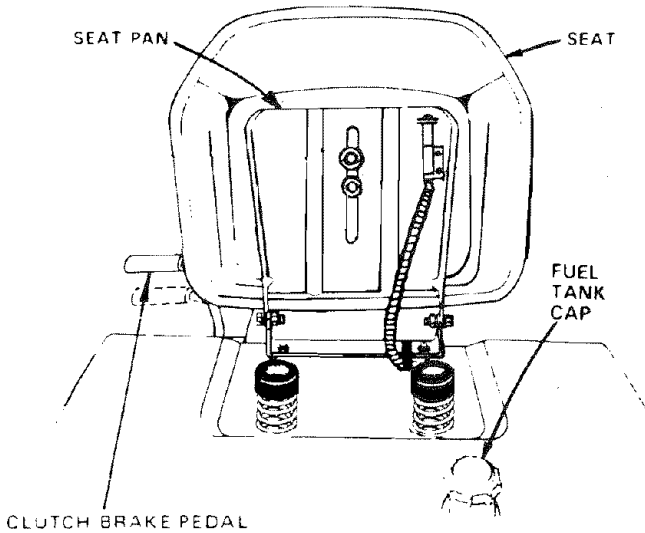


FIGURE 13

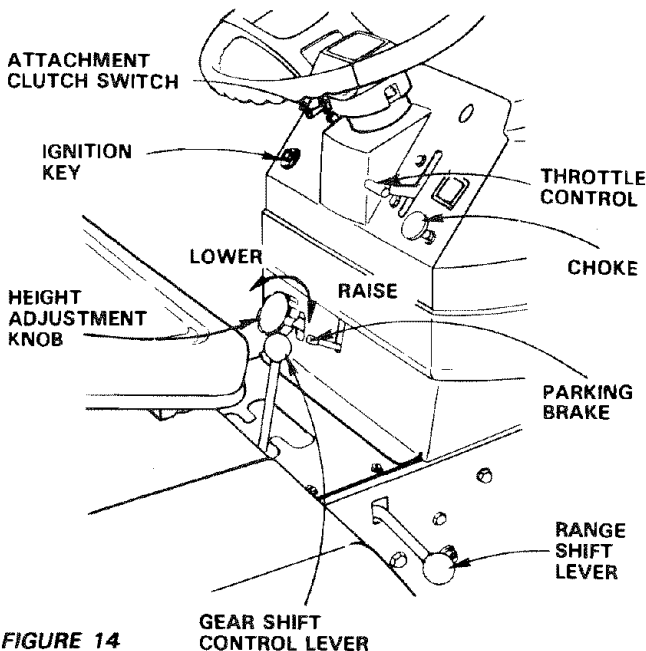


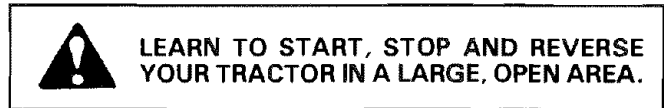
FIGURE 14

1. Stopping Your Tractor

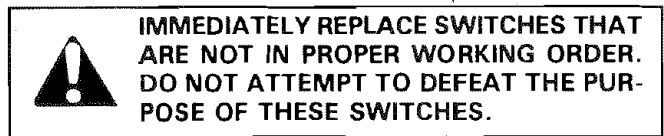
NOTE: REMOVE KEY WHEN LEAVING TRACTOR TO PREVENT UNAUTHORIZED USE.

- a. Push clutch/brake pedal into full "BRAKE" position.
- b. Place parking brake in "ENGAGED" position and release pressure from clutch/brake. Pedal should remain in "BRAKE" position. NOTE: MAKE SURE PARKING BRAKE WILL HOLD TRACTOR SECURE.
- c. Move gear shift lever to "NEUTRAL" position.
- d. Place attachment clutch switch in "DISENGAGED" position.
- e. Move throttle control to "S" (slow) position.
- f. Turn ignition key to "OFF" position. Never use choke to stop engine.

2. Starting The Engine



NOTE: THIS TRACTOR IS EQUIPPED WITH INTERLOCK SWITCHES TO PREVENT STARTING OF THE TRACTOR ENGINE WHILE THE ATTACHMENT CLUTCH OR THE CLUTCH/BRAKE PEDAL IS ENGAGED.



- a. This engine has been shipped filled with summer weight oil (for cold weather operation see Chart page 16). Check engine oil level with tractor on level ground. Wipe dipstick (Fig. 12) clean, screw it in tight for a few seconds, remove and read oil level. If necessary, add oil until "FULL" mark is reached.

CAUTION: EXPERIENCE INDICATES THAT ALCOHOL BLENDED FUELS (CALLED GASOHOL OR USING ETHANOL OR METHANOL) CAN ATTRACT MOISTURE WHICH LEADS TO SEPARATION AND FORMATION OF ACIDS DURING STORAGE. ACIDIC GAS CAN DAMAGE THE FUEL SYSTEM OF AN ENGINE WHILE IN STORAGE.

TO AVOID ENGINE PROBLEMS, THE FUEL SYSTEM SHOULD BE EMPTIED BEFORE STORAGE FOR 30 DAYS OR LONGER. DRAIN THE GAS TANK, START THE ENGINE AND LET IT RUN UNTIL THE FUEL LINES AND CARBURETOR ARE EMPTY. USE FRESH FUEL NEXT SEASON. SEE STORAGE INSTRUCTIONS FOR ADDITIONAL INFORMATION. (PAGE 26).

NEVER USE ENGINE OR CARBURETOR CLEANER PRODUCTS IN THE FUEL TANK OR PERMANENT DAMAGE MAY OCCUR.

OPERATION

- b. Fill fuel tank (Fig. 13). Use fresh, clean, regular unleaded automotive gasoline. (Use of leaded gasoline will increase carbon and lead oxide deposits and reduce valve life). Capacity is 3-1/2 gallons.
- c. Place attachment clutch switch in "DISENGAGED" position.
- d. Push clutch/brake pedal fully into brake position.
- e. Place gear shift lever in "N" neutral, start position (Fig. 14).
- f. Place range shift lever in "N" neutral position (Fig. 14).
- g. Pull choke out (Fig. 14).
- h. Move throttle control to middle position (Fig. 14).
- i. Turn ignition to "START" position until engine starts (Fig. 14). NOTE: DO NOT RUN STARTER CONTINUOUSLY FOR MORE THAN FIFTEEN SECONDS PER MINUTE. If engine does not start after several attempts, move throttle control to "F" (fast) position, wait a few minutes and try again.
- j. After engine is warm, push choke in.

The first time you start the engine, it will take extra cranking time to move fuel from tank to engine. NOTE: ALLOW ENGINE TO WARM UP FOR A FEW MINUTES BEFORE ENGAGING CLUTCH/BRAKE PEDAL OR ATTACHMENT CLUTCH SWITCH.

- k. When restarting a warm engine, move throttle control midway between "S" (slow) and "F" (fast) position. Choke may not have to be used.



BEFORE DRIVING THE TRACTOR, INSTALL MOWER OR REMOVE FRONT MOWER SUSPENSION ARM (FIG. 8).



CAUTION TO AVOID INJURY

1. Read owner's manual.
2. Know location and function of all controls.
3. Keep guards, safety shield and switches in place and working.
4. Remove objects that can be thrown by blades.
5. Do not mow when children and others are around.
6. Never carry children or passengers.
7. Always look behind machine before backing.
8. Do not mow where machine can tip or slip.
9. If machine stops going uphill, stop blades and back slowly down.
10. Be sure blades and engine have stopped before placing hands or feet near the blades.
11. Remove key when leaving machine.



NEVER PLACE YOUR HANDS OR FEET IN OR UNDER ANY POWERED ATTACHMENT OR NEAR ANY MOVING PART WHILE TRACTOR OR ANY POWERED ATTACHMENT IS RUNNING.

DO NOT OPERATE THE MOWER WITHOUT THE DEFLECTOR SHIELD IN PLACE.



DO NOT OPERATE THE MOWER WITHOUT THE DEFLECTOR SHIELD IN PLACE.

IMPORTANT: DO NOT ADD ADDITIONAL WEIGHT TO THE TRACTOR OTHER THAN THE OPTIONAL WHEEL WEIGHTS. EXCESSIVE WEIGHT MAY OVERLOAD AND DAMAGE THE TRANSMISSION.

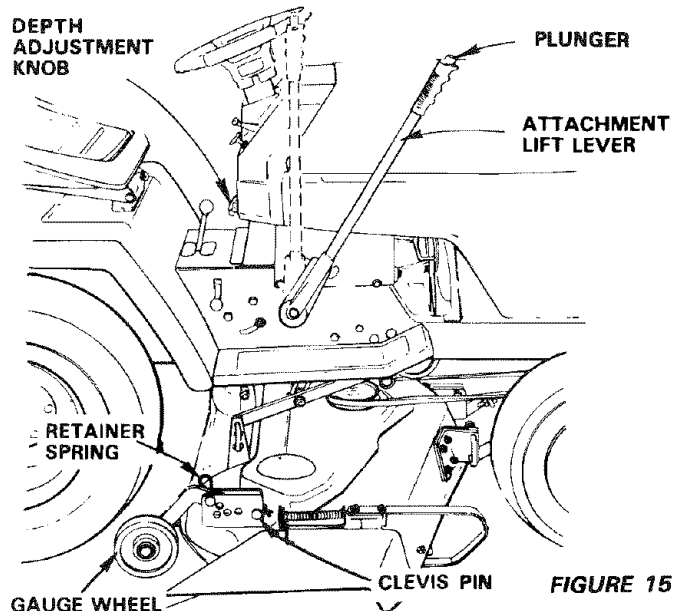


FIGURE 15

3. Operating Your Tractor and Mower

NOTE: THIS TRACTOR IS EQUIPPED WITH AN OPERATOR PRESENCE SENSING SWITCH. ANY ATTEMPT BY THE OPERATOR TO LEAVE THE SEAT WITH THE ENGINE RUNNING AND THE ATTACHMENT CLUTCH ENGAGED WILL SHUT OFF THE ENGINE.



READ THE "SAFETY RULES" CAREFULLY BEFORE OPERATING YOUR MOWER.

Use the height adjustment knob (Fig. 14) to adjust mower height. With the attachment lift lever in the full "UP" position, turn height adjustment knob clockwise (↻) to raise cutting height and counterclockwise (↺) to lower cutting height. Lower attachment lift lever to check adjustment.

- a. To adjust gauge wheels (Fig. 15) lower attachment lift lever.
- b. Remove retainer spring and clevis pin from gauge wheels.
- c. Move gauge wheels to the adjustment hole that will provide the desired cut.
- d. Replace retainer spring and clevis pin.
- e. Move attachment lift lever to its full "UP" position.
- f. With engine running and warm, place throttle control midway between "S" (slow) and "F" (fast) position (Fig. 14).
- g. To engage mower pull attachment clutch switch (Fig. 14) out and up.

OPERATION



FUNCTION	GEARSHIFT	THROTTLE
Normal Mowing	2H* or 3L*	
Heavy Mowing	1H or 2L	
Snow Removal	1L	FAST
Tilling Plowing	1L	MID THROTTLE
Dozing	1L	
Grading	2L	
Transport	3H	

FIGURE 16

* Indicates Range Shift Lever position: "H" for High, "L" for low

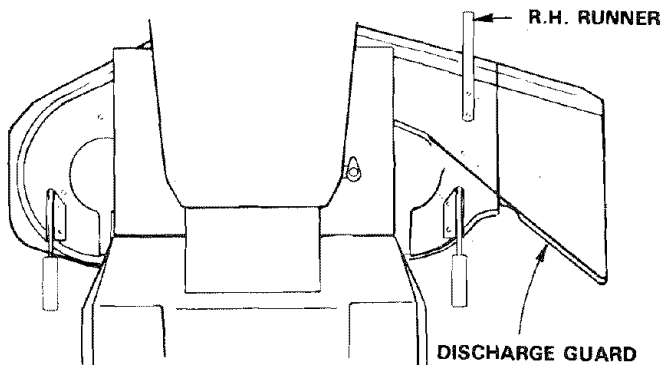


FIGURE 17

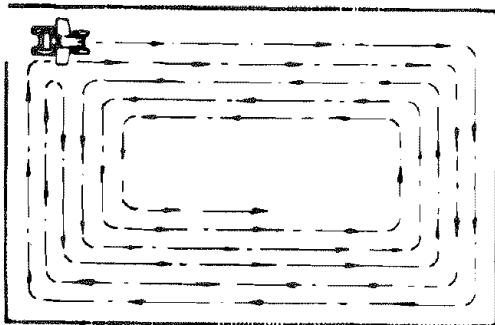


FIGURE 18

- h. Move range shift lever to "LO" (low) position (Fig. 14).
- i. Move gear shift lever to desired gear (Fig. 14).
- j. Use attachment lift lever to lower mower into cutting position.
- k. Release clutch/brake pedal SLOWLY to start movement.
- l. Start mowing at slow and increase ground speed by increasing throttle as conditions will permit.

NOTE: BRING TRACTOR TO COMPLETE STOP BEFORE SHIFTING GEARS.

5. Mowing Tips

NOTE: TIRE CHAINS CANNOT BE USED WITH THE MOWER HOUSING ATTACHED



READ THE "SAFETY RULES" CAREFULLY BEFORE OPERATING YOUR MOWER. REFER TO PAGE 2.

- a. Use the runner on the R.H. side as a guide; the blade cuts approximately an inch outside the runner (Fig. 17).
- b. Drive so that clippings are discharged onto the area that has been cut. Have the cut area to the right of the machine. This will result in a more even distribution of clippings and more uniform cutting.
- c. When mowing large areas (Fig. 18), start by turning to the right so that the clippings will be discharged away from shrubs, fences, driveways, etc. After two or three rounds, mow in the opposite direction making left hand turns until finished.
- d. If grass is extremely tall, it should be mowed twice. The first time cut relatively high. The second time to the desired height.
- e. The left hand side of mower should be used for trimming.

5. Operating The Tractor On Hills

- a. Choose the lowest gear BEFORE starting up or down hills.



DO NOT DRIVE UP OR DOWN HILLS WITH SLOPES GREATER THAN 15° AND DO NOT DRIVE ACROSS ANY SLOPE. REFER TO PAGE 51.

- b. Avoid stopping or shifting on hills.
- c. If slowing is necessary, move throttle control lever to middle position.



LEAVE ENOUGH ROOM WHEN STOPPING AND STARTING TO ALLOW SLIGHT TRACTOR ROLL DOWNHILL AS CLUTCH/BRAKE PEDAL MOVES THROUGH CLUTCH POSITION.

- d. If stopping is absolutely necessary, push clutch/brake pedal quickly to brake position and engage parking brake.

MAINTENANCE

e. To restart your tractor, make sure tractor is in 1st gear and that you have allowed room to roll slightly downhill. Disengage parking brake and release clutch/brake pedal SLOWLY to start tractor forward movement.

f. Make all turns slowly.

To keep your tractor running better, longer, perform necessary service using the following maintenance schedule:

BEFORE MAKING ANY INSPECTION, ADJUSTMENT OR REPAIR: (FIG. 19):

1. PUSH TRACTOR CLUTCH/BRAKE PEDAL COMPLETELY INTO BRAKE POSITION.
2. MOVE GEAR SHIFT CONTROL LEVER TO NEUTRAL POSITION.
3. PLACE PARKING BRAKE IN "ENGAGED" POSITION AND REMOVE FOOT FROM PEDAL.
4. TURN OFF ATTACHMENT CLUTCH SWITCH.
5. SHUT OFF THE ENGINE.
6. MAKE ABSOLUTELY SURE THE BLADES AND ALL MOVING PARTS HAVE COMPLETELY STOPPED.
7. DISCONNECT THE SPARK PLUG WIRES FROM THE SPARK PLUGS AND KEEP WIRES AWAY FROM THE SPARK PLUGS TO PREVENT INJURY FROM ACCIDENTAL STARTING. BE CAREFUL TO AVOID TOUCHING HOT ENGINE OR MUFFLER COMPONENTS.

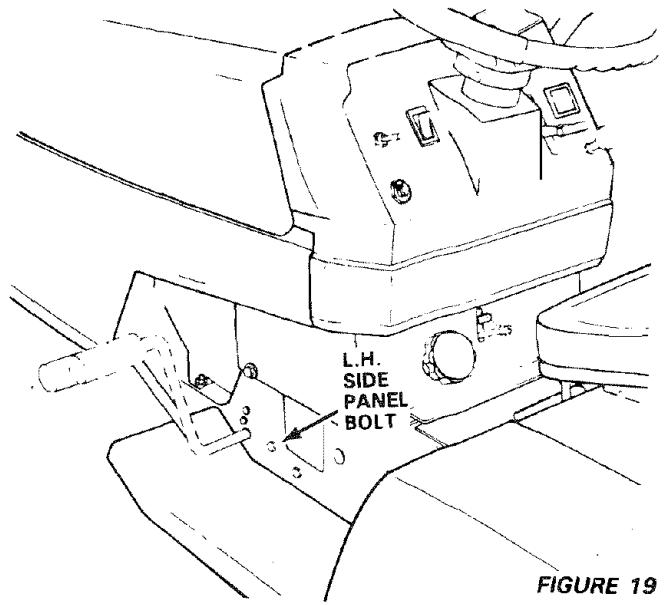
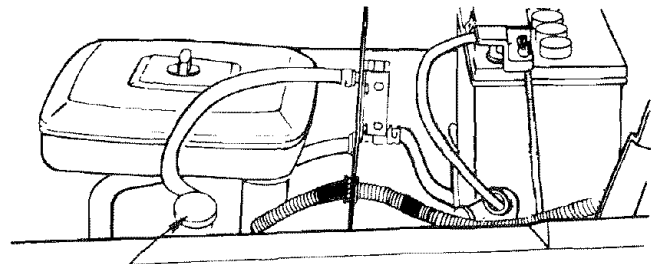


FIGURE 19



ENGINE OIL
DIPSTICK
AND FILL TUBE

L.H. SIDE

With Every Mowing

1. Make sure all nuts on bolts are tight and cotter pins and retainer springs are secure.
2. Observe all safety precautions.
3. Keep tractor well lubricated (refer to page 18).

First 2 Hours (Two Mowings)

1. Change Engine Oil

Changing oil after the first two hours (or two mowings) will help eliminate break-in residue which might be damaging to your engine.

NOTE: BE CAREFUL NOT TO ALLOW DIRT TO ENTER THE ENGINE WHEN CHANGING OIL.

- a. Drain oil with engine warm.
- b. Remove hood and grill (see page 23).
- c. Loosen oil drain wing nut (Fig. 20 - Inset). Catch oil in a suitable container.
- d. Tighten oil drain wing nut after all oil has been removed from engine.
- e. Refill engine oil. Refill capacity is 3 pints.
NOTE: DO NOT OVERFILL.
- f. Replace dipstick.

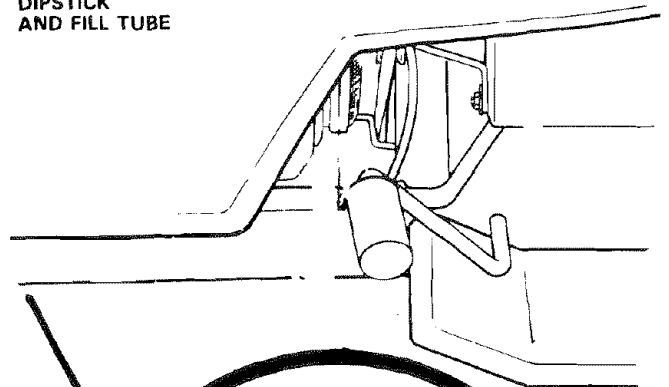


FIGURE 20

MAINTENANCE

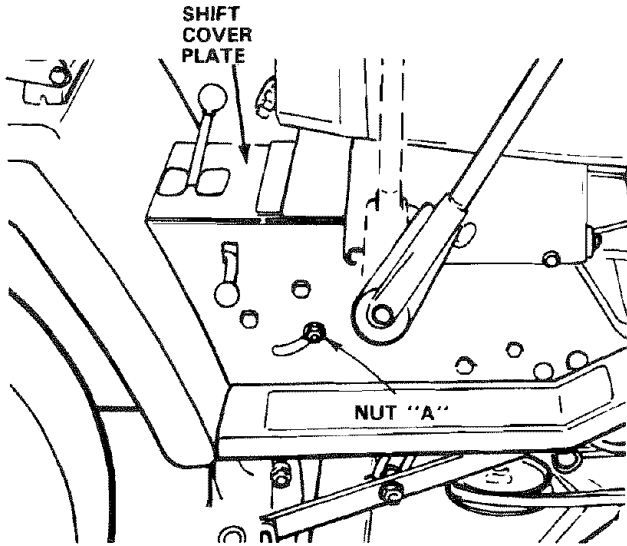


FIGURE 21

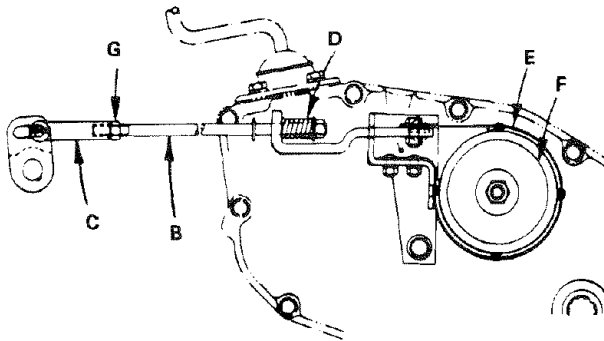


FIGURE 22

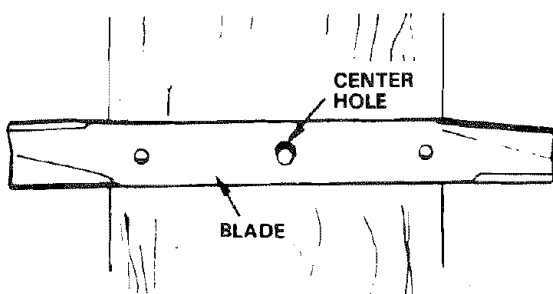
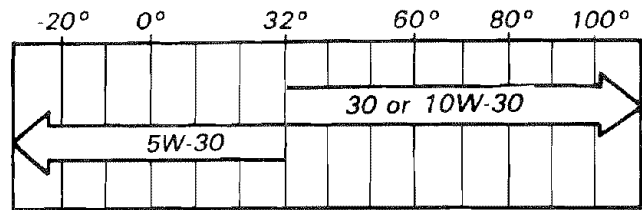


FIGURE 23

Recommended SAE Viscosity Grades

Determine temperature expected before next oil change. All oil must meet A.P.I. service classification SD, SE or SF.



Capacity is 3 pints. NOTE: DO NOT OVERFILL. Dipstick assembly must be securely tightened into tube at all times when engine is operating.

IMPORTANT: TO AVOID DAMAGE TO THE STARTING SYSTEM, USE SAE 5W30 OIL WHEN THE TEMPERATURE FALLS BELOW 32°.

f. Replace dipstick.

Every 5 Hours (Five Mowings)

1. Check Engine Oil Level

NOTE: DO NOT CHECK ENGINE OIL LEVEL WITH ENGINE RUNNING.

Several minutes after stopping engine, check engine oil level with tractor on level ground. Wipe dipstick (Fig. 20) clean, screw it down tight for a few seconds, remove and read oil level. If necessary, add oil until "FULL" mark is reached. NOTE: DO NOT OVERFILL.

Every 25 Hours (Twice a Mowing Season)

(Operating in dusty conditions may require more frequent servicing.)

1. Brake Adjustment



IF TRACTOR REQUIRES MORE THAN SIX FEET STOPPING DISTANCE IN HIGHEST GEAR ON A LEVEL DRY CONCRETE OR PAVED SURFACE THEN BRAKE MUST BE ADJUSTED.

- Remove (4) hex washer head tapping screws from shift cover plate (Fig. 21), located on top of tractor frame. Remove the cover plate.
- Loosen jam nut (G) on brake rod (B) at clevis (C) (Fig. 22). If you find it difficult to loosen jam nut (G), remove cover plate in L.H. frame rail.
- Rotate brake rod (B) counterclockwise (↺) turning brake rod out of clevis (C) four to six turns.
- Start tractor with transmission in "N" (neutral) position.
- Depress clutch/brake pedal to the point where belt stops moving.

MAINTENANCE

- f. Engage parking brake to hold clutch/brake pedal in position. If belt begins to move after engaging parking brake, depress clutch/brake pedal to next notch on parking brake.
- g. Shut engine off. Rotate brake rod (B) clockwise (↻) by hand, turning brake rod into clevis (C), until tight. Tighten jam nut (G) on brake rod. (B) at clevis (C) (Fig. 22).
- h. Reinstall shift cover plate and four (4) mounting screws. Replace cover plate if removed in step b.

2. Tire Care

Maintain tire pressure in front at 14 PSI and rear tires at 10 PSI.

3. Blade Care

For best results mower blades must be kept sharp. The blades can be sharpened with a few strokes of a file or on a grinding wheel. We suggest they be sharpened after every 25 hours of mowing. Do not attempt to sharpen while on mower.

- a. When grinding, care should be taken to maintain blade balance and the blade should be checked for proper balance before reinstallation on mower.
- b. Unbalanced or bent blade will cause excessive vibration when running and eventual damage to mower or engine. Replace bent or damaged blades.

To check blade balance, drive a nail into a beam or wall. Leave about one inch of the straight nail exposed. Place center hole of clean blade over the head of the nail (Fig. 23). NOTE: CENTER HOLE OF BLADE ON NAIL. IF BLADE IS PROPERLY BALANCED, BLADE SHOULD REMAIN IN POSITION SHOWN IN FIG. 23. IF EITHER END OF THE BLADE MOVES DOWNWARD, BLADE IS NOT BALANCED, SHARPEN THE HEAVY END UNTIL THE BLADE IS BALANCED.

Every 50 Hours (Once a Mowing Season)

(Operating in dusty conditions may require more frequent servicing)

1. Check Battery

- a. Electrolyte solution level in each battery cell should be even with bottoms of tubes in cells (Fig. 24). Add only distilled water if necessary. NOTE: DO NOT OVERFILL. DO NOT ADD ACID.
- b. Keep battery and terminals clean. Refer to page 18.
- c. Keep battery bolts tight.
- d. Keep vent caps tight and small vent holes in caps open.

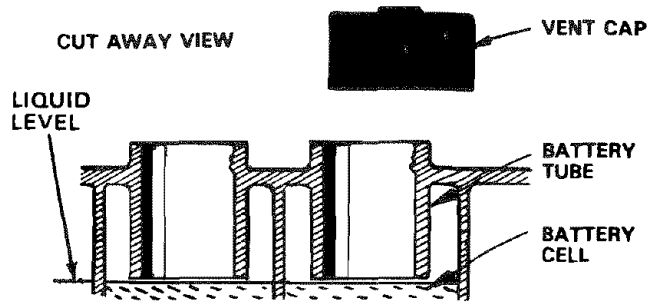


FIGURE 24

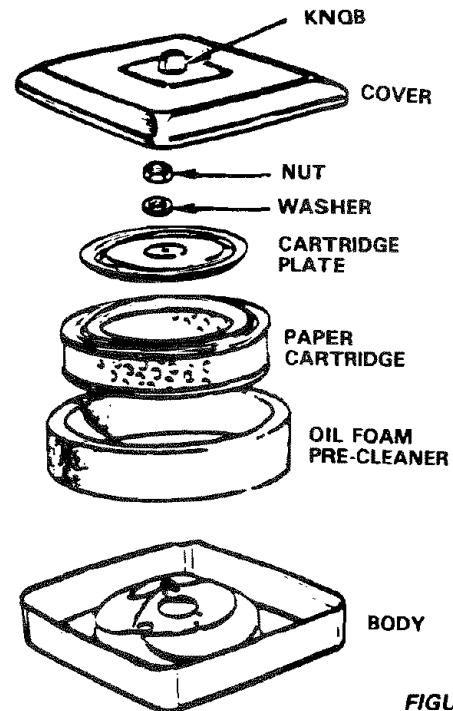


FIGURE 25

2. Clean Air Filter

- a. Unscrew knob (Fig. 25) to remove cover.
- b. Remove nut and washer to remove cartridge plate, paper cartridge and oil foam pre-cleaner.
- c. Wash foam pre-cleaner in detergent and water.
- d. Rinse, squeeze (rather than twist) allow to dry thoroughly.
- e. Lightly coat with S.A.E. 30 engine oil. Do not saturate. Squeeze in a rag or towel to distribute evenly and remove excess.
- f. Check paper cartridge. Replace if excessively dirty.
- g. Reassemble paper cartridge and re-position on tractor. NOTE: NEVER RUN ENGINE WITH AIR FILTER REMOVED AS DIRT (DUST) WILL DAMAGE THE ENGINE.

MAINTENANCE

3. Clean Battery and Terminals

Corrosion and dirt on the battery and terminals cause the battery to "leak" power and hinders the operation of the charger.

- a. Remove terminal guard.
- b. Remove the battery from the tractor and wash with four tablespoons of baking soda to one gallon of water. NOTE: BE CAREFUL NOT TO GET THE SODA SOLUTION INTO THE CELLS.
- c. Clean terminals and cable ends with a wire brush until bright.
- d. Rinse the battery with plain water, dry and reinstall on tractor.
- e. Replace cables and terminal guard. Refer to page 8.

4. Change Engine Oil

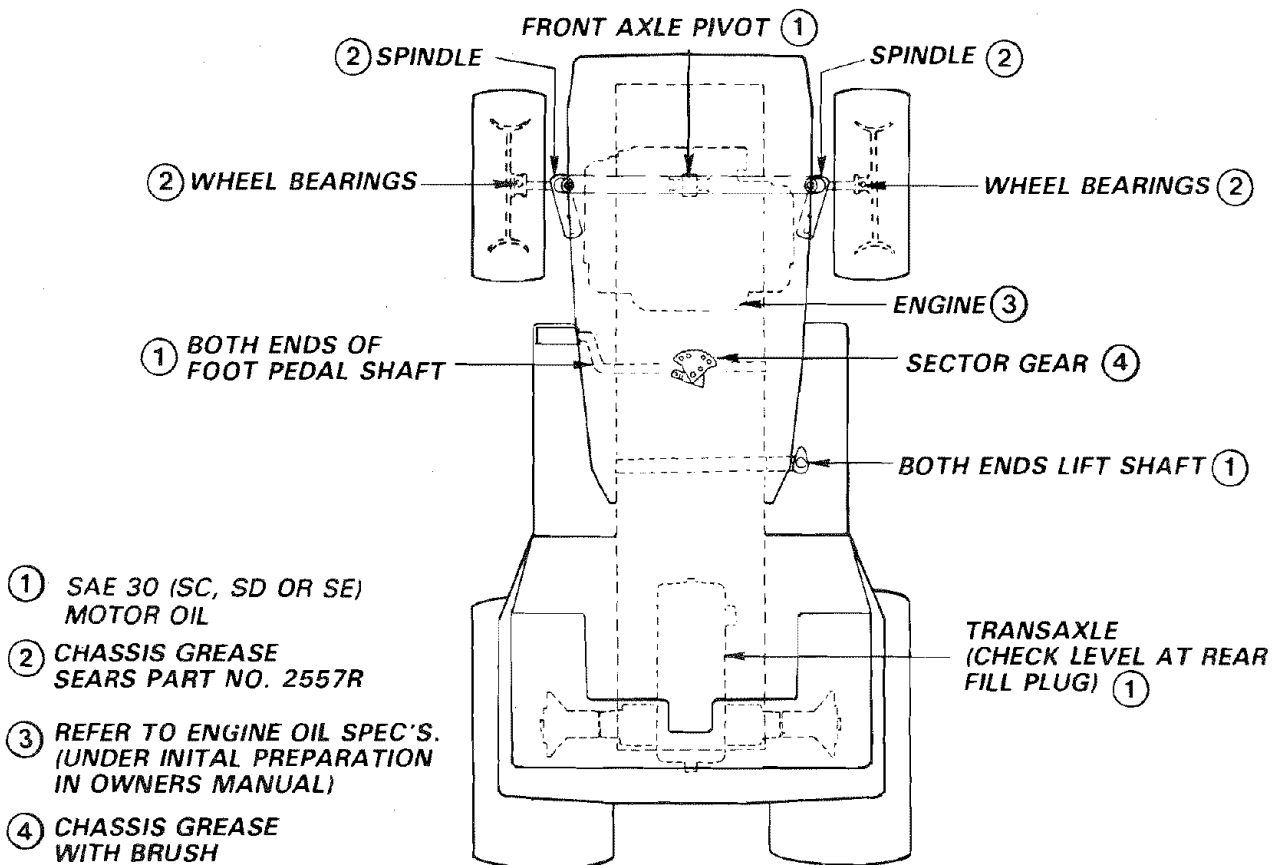
The best time to drain engine oil is at the end of a day's operation when all dirt and foreign materials are suspended in the hot oil. Refer to page 15.

5. Lubricate Pivot Points

Place several drops of S.A.E. 30 oil at points where parts move against each other, especially:

- a. Front Axle Pivot
- b. Hood Hinges
- c. Foot Pedal Shaft (both ends)
- d. Lift Shaft (both ends)
- e. Sector gear and pivot points

Lubrication Chart



MAINTENANCE

6. Clean Air Screen

Air screen (Fig. 26) must allow free-flow of air to prevent engine damage from overheating. Clean with a wire brush or compressed air to remove dirt, stubborn dried gum and fibers.

7. Clean Front Grill

Brush debris from front grill to allow free-flow of air, preventing engine damage from overheating.

8. Lubricate Steering and Front Wheels

There are four grease fittings on your tractor (Fig. 27). Using a grease gun, give each grease fitting two shots of chassis grease (available through your Sears Service Center). Sears Part No. 2557R.

9. Check Muffler

Inspect and replace corroded muffler as it could create a fire hazard and/or engine damage.

EVERY 100 HOURS (Every Two Years)



DISCONNECT SPARK PLUG WIRES TO PREVENT ACCIDENTAL STARTING BEFORE MAKING ANY INSPECTION, ADJUSTMENT OR REPAIR (EXCEPT CARBURETOR).

1. Replace Spark Plugs

Replace spark plugs at the beginning of each season or every 100 hours, whichever comes first. Gap should be set at 0.030 inch (Fig. 28).

2. Replace Air Filter Paper Cartridge

Refer to page 17.

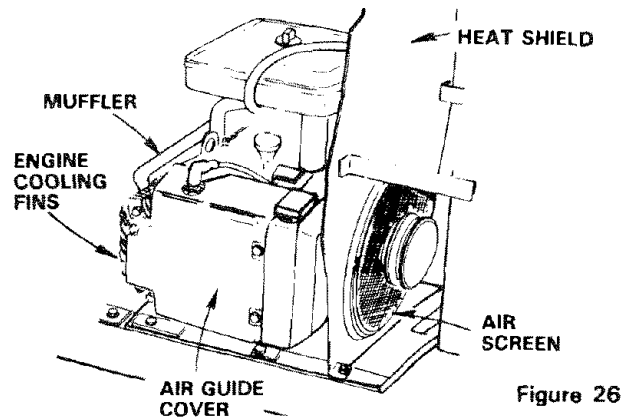


Figure 26

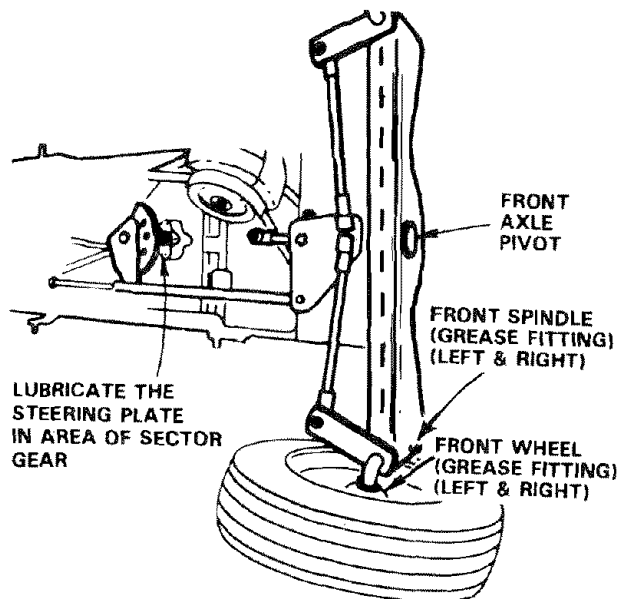


FIGURE 27

REPAIR AND ADJUSTMENT

1. Starting Your Tractor with a Weak Battery

If your battery is too low to start the engine, it should be recharged. If "jumper cables" are used for emergency starting follow this procedure:

NOTE: YOUR TRACTOR IS EQUIPPED WITH A 12 VOLT NEGATIVE GROUNDED SYSTEM, THE OTHER VEHICLE MUST ALSO BE A 12 VOLT NEGATIVE GROUNDED SYSTEM.

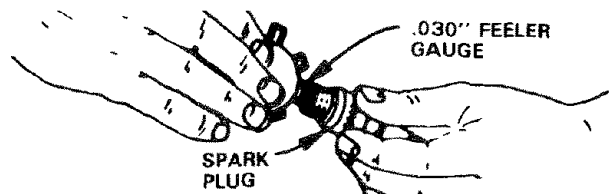


FIGURE 28



LEAD-ACID BATTERIES GENERATE EXPLOSIVE GASES. KEEP SPARKS, FLAME AND SMOKING MATERIALS AWAY FROM BATTERIES. ALWAYS WEAR EYE PROTECTION AROUND BATTERY.

REPAIR AND ADJUSTMENT

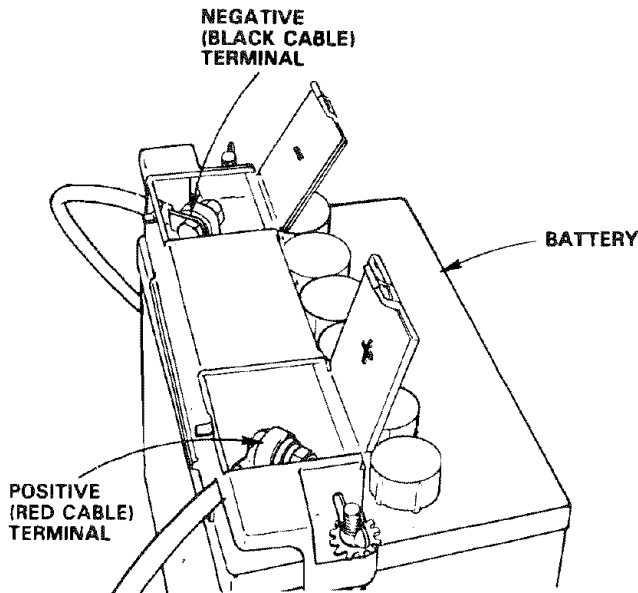


FIGURE 29

- Connect each end of the RED cable to the POSITIVE (+) terminals of each battery (taking care not to short against chassis). (Fig. 29).
- Connect one end of the BLACK cable to the NEGATIVE (-) terminal of fully charged battery.
- Connect the other end of the cable to L.H. side panel bolt (Fig. 19). NOTE: KEEP AWAY FROM GAS TANK AND BATTERY.
- Disconnect cables in reverse order:
 - L.H. Side Panel Bolt (Fig. 19).
 - Negative Terminal of fully charged Battery
 - Positive Terminals

CAUTION: DO NOT USE YOUR BATTERY TO START OTHER VEHICLES.

2. THROTTLE CONTROL CABLE ADJUSTMENTS

Never attempt to change maximum engine speed. This is preset at the factory (3400 ± 100 RPM) and should only be change by a qualified service technician who has the necessary equipment.

- Remove hood, page 23.
- Loosen casing clamp screw until throttle cable is free to move.
- Move throttle control (on the dash board) to "Fast" position.
- Pull throttle cable tight (until swivel is against side of quarter circle). Fig. 30. Retighten casing clamp screw.



REFER TO "STARTING THE ENGINE", PAGE 12.

3. CARBURETOR ADJUSTMENT

NOTE: Adjust throttle control cable before making any adjustment to carburetor. Air cleaner must be assembled to carburetor when running engine.

Minor carburetor adjustments may be required to compensate for differences in fuel, temperature or altitude. Adjust the carburetor fuel mixture as follows:

- Gently turn idle mixture valve clockwise (↻) Fig. 31 until it just closes and then counterclockwise (↺) 1 1/2 turns.
CAUTION: Valve may be damaged if turned in too far.
- Start engine and allow to warm for five minutes. Make final adjustments with engine running and choke pushed in.
- Move throttle control lever (on dashboard) to slow position.
- Hold governor control lever against idle speed screw, and adjust idle speed screw to obtain 1200 to 1400 RPM. Fig. 31.
- While still holding the governor control lever against idle stop, turn idle mixture valve slowly clockwise (↻) (lean mixture) until speed just starts to slow.
- Turn idle mixture valve back to the midpoint between rich and lean.
- Adjust the idle speed screw to obtain 900 to 1200 RPM. Release governor control lever.
- Move throttle control (on the dashboard) to "FAST". If engine hesitates or dies, turn idle mixture valve approximately 1/8 turn counterclockwise (↺) until engine will accelerate as throttle control is moved from "SLOW" to "FAST".

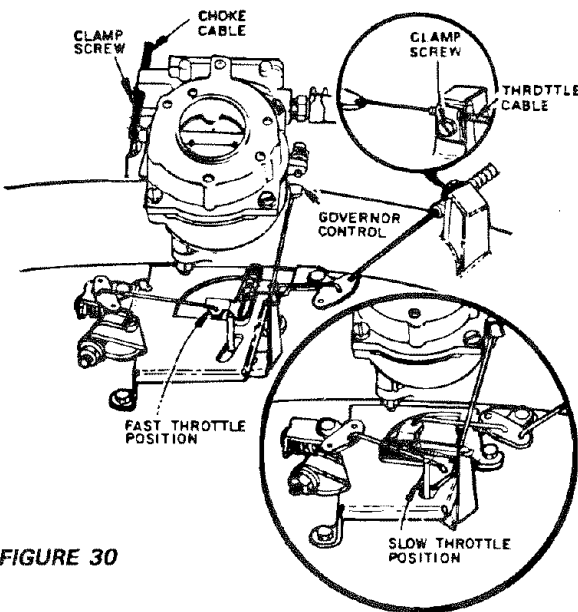


FIGURE 30

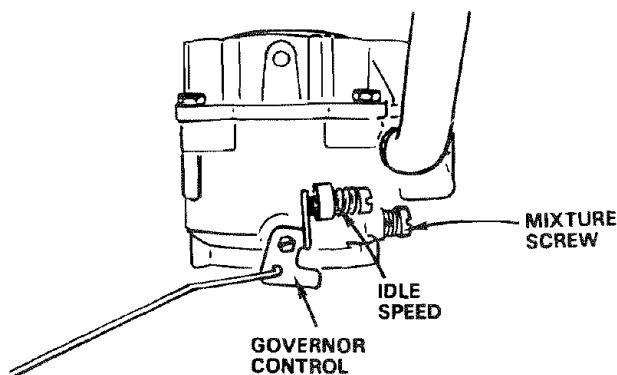


FIGURE 31

REPAIR AND ADJUSTMENT

4. Electric Clutch Adjustment

The electric clutch (Fig. 32) should provide years of service. The clutch incorporates a built-in brake that stops the pulley almost immediately. Eventually, the internal brake will wear so the mower blades will not stop as recommended. Adjustment must be made by a Sears Service Technician.

5. Motion Drive Belt Removal

The belt on this tractor is special for this application. Always replace with the Sears belt number in the parts list. It is not necessary to remove mower.

- Raise hood and disconnect negative ground battery cable.
- Set parking brake (to get belt slack).
- Loosen (do not remove) two engine pulley belt guide bolts and swivel R.H. side of belt guide up. Tighten L.H. bolt to hold belt guide in position (Fig. 33).
- Roll belt off engine pulley.
- Roll belt off "V" idler, flat idler and adjustable idler pulleys (Fig. 34).
- Pull belt off clutch pulley - between pulley and frame.
- Loosen nut "A" on R.H. outside of frame (Fig. 35).

6. Motion Drive Belt Replacement

NOTE: THERE IS A BELT INSTALLATION DECAL UNDER L.H. FOOTREST.

- Push belt down from engine pulley area. Place back (flat) side of belt on flat idler. (Flat idler is next to frame).
- Place belt on adjustable idler and over clutch pulley. "V" (narrow) part of belt should engage clutch pulley.

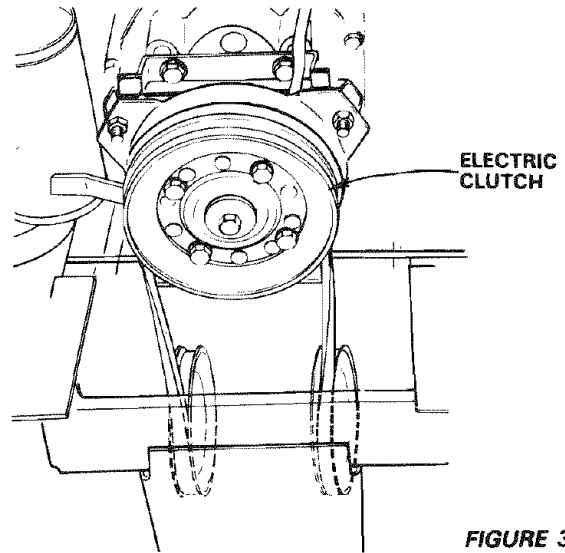


FIGURE 32

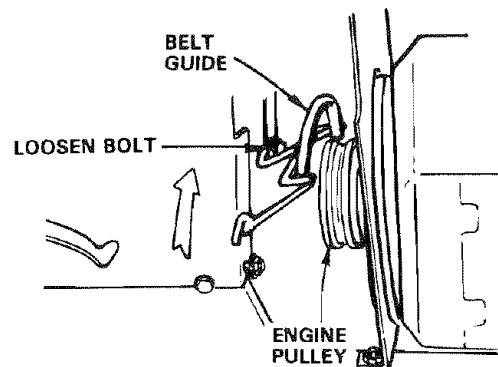


FIGURE 33

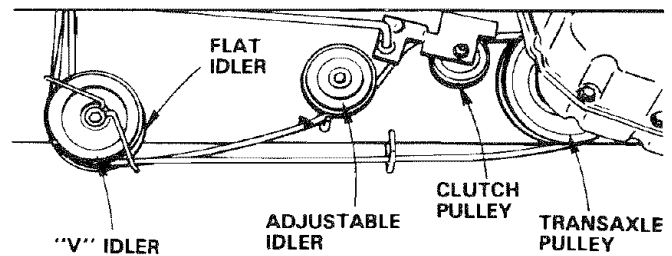


FIGURE 34

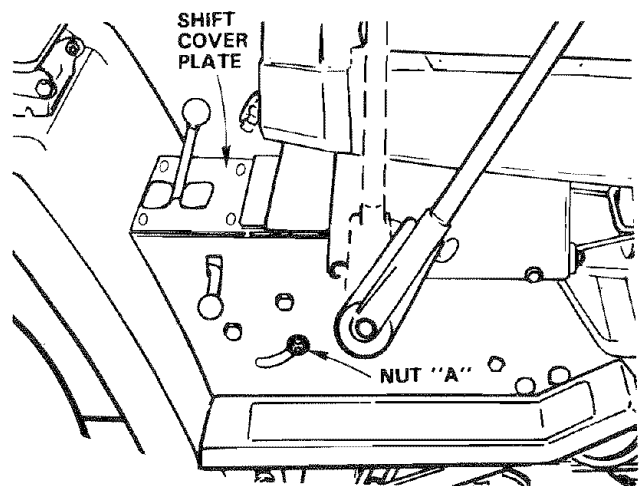


FIGURE 35

REPAIR AND ADJUSTMENT

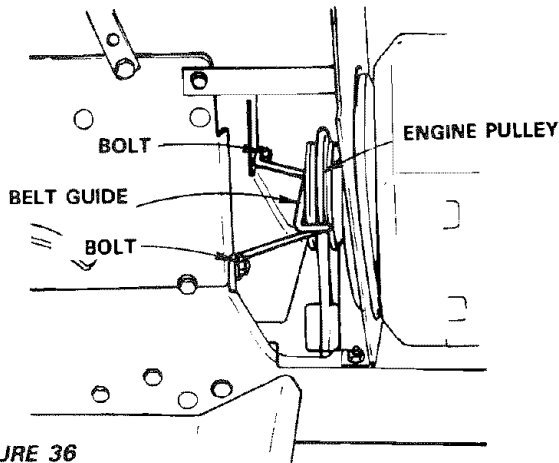


FIGURE 36

- c. Place belt around transaxle pulley. "V" part of belt should engage transaxle pulley.
- d. Make sure "V" part of belt engages "V" idler.
- e. Roll belt over engine pulley.
- f. Loosen L.H. engine pulley belt guide bolt and swivel belt guide bolt and swivel belt guide onto R.H. bolt. Tighten L.H. and R.H. bolts securely (Fig. 36).
- g. Release parking brake. NOTE: WHEN A NEW BELT HAS BEEN INSTALLED, YOU MUST CHECK V-BELT ADJUSTMENT AND BRAKE ADJUSTMENT.
- h. Tighten nut "A".

7. Motion Drive Belt Adjustment

To assure maximum belt life check belt adjustment seasonally.

- a. To tighten belt, remove (4) hex washer head tapping screws from shift cover plate (Fig. 35) located on top of tractor frame. Remove the cover plate.
- b. Place parking brake lever in "ENGAGED" position. Refer to "Stopping Your Tractor", page 12.
- c. Loosen nut "A" located on outside of R.H. chassis frame (Fig. 35), slide take-up idler down approximately 1/2" and tighten nut "A".
- d. Disengage parking brake.
- e. Check position of clutch idler bracket (Fig. 37).
- f. Repeat steps (b) thru (e) until 1 - 1/16" dimension is obtained between top of pin and top of frame as shown in Fig. 37.
- g. Retighten nut "A" securely. NOTE: AFTER ADJUSTING V-BELT YOU MUST RE-ADJUST BRAKE, SEE "BRAKE ADJUSTMENT", PAGE 16.
- h. Reinstall shift cover plate and (4) screws removed in step (a).

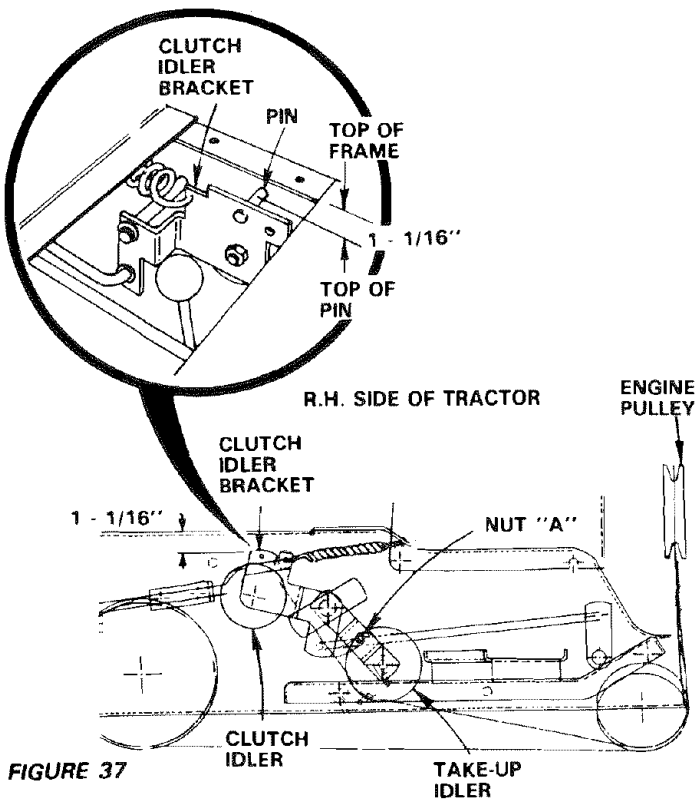


FIGURE 37

8. Idler Bracket Removal

NOTE: WHEN OPERATING TRACTOR WITHOUT MOWER, REMOVE IDLER BRACKET FROM FRONT OF TRACTOR.

- a. Pull belt up through idler bracket and out of tractor. Use lever to swing tension pulley for belt removal.
- b. Remove lockwashers and nuts from idler bracket (Fig. 38).

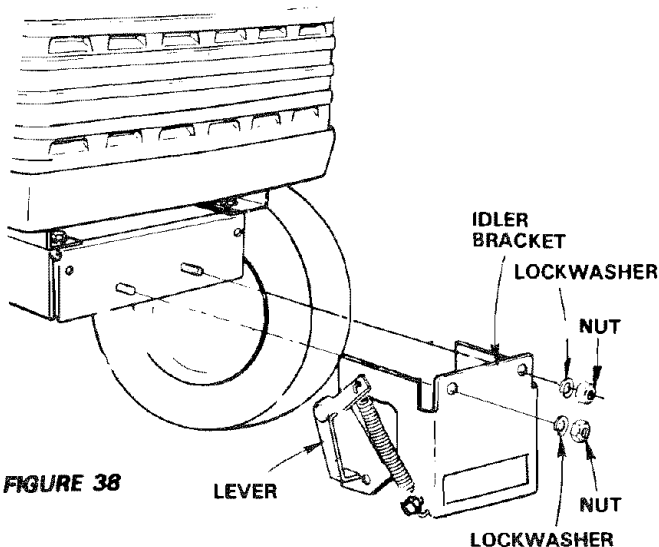


FIGURE 38

REPAIR AND ADJUSTMENT

9. Fuse Replacement

Replace with 30 amp automotive - type, plug-in fuse. Fuses can be purchased at all Sears Service Centers and most retail stores.

10. Check Transaxle Oil Level

- Block up rear axle (Fig. 39) securely or use a tractor jack.
- Remove left rear wheel by removing hub bolts.
- Remove filler plug (Fig. 39) from transaxle. Oil level must be even with plug threads. See your Sears Service Center if additional oil is required. Replace filler plug.
- Reposition wheel. Secure with hub bolts.

11. Hood Removal

- Lift hood. Disconnect headlight wiring connection (Fig. 40).
- Unscrew one screw at rear of each side panel (Fig. 40).
- Pivot hood and side panel forward and lift off tractor (Fig. 41).
- To replace, reverse the above procedure.

12. Mower Removal

- Lower mower.
- Pull the four (4) release pins out of suspension brackets (Fig. 42).
- Pull back on attachment lift lever and lock into place.
- Slide mower forward and remove belt from primary mandrel.
- Slide mower out from under tractor.

NOTE: IF AN ATTACHMENT OTHER THAN THE MOWER DECK IS TO BE MOUNTED ON THE TRACTOR, REMOVE THE L.H. AND R.H. SUSPENSION ARMS (FIG. 42).

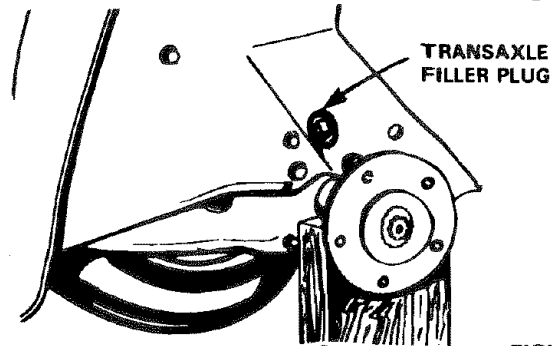


FIGURE 39

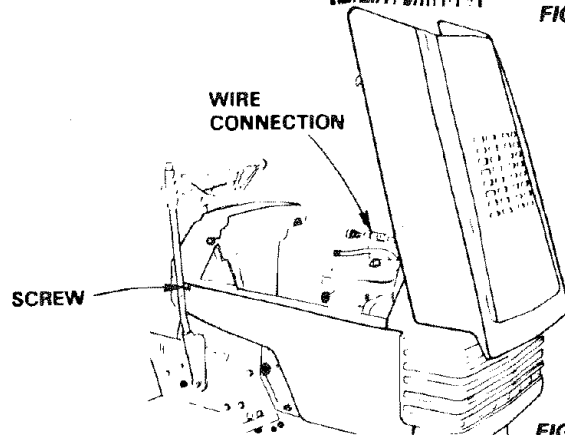


FIGURE 40

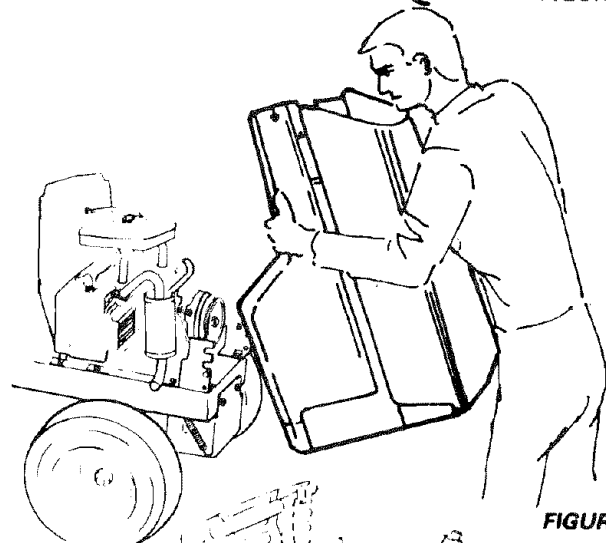


FIGURE 41

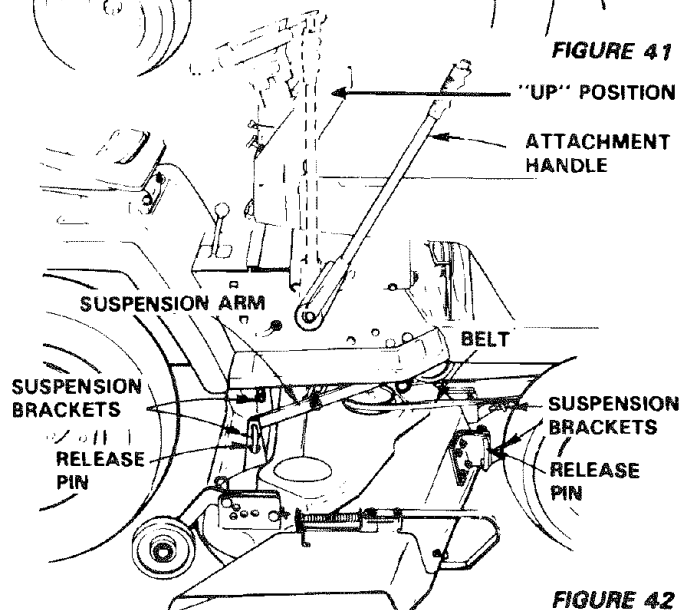


FIGURE 42

REPAIR AND ADJUSTMENT

13. Level Mower Housing

Adjust the mower while tractor is parked on level ground or driveway. Make sure tire pressures are 14 PSI in front; 10 PSI in rear.

Side to Side Mower Adjustment

- Move attachment lift lever to full "UP" position (Fig. 46).
- Use a ruler to make sure bottom of curl at rear of mower deck are the same height from the ground on each side (Fig. 44).
- If adjustment is required, snap out access cover on L.H. side of tractor above footrest (Fig. 43).
- To raise left side of mower, loosen nut "B" and screw nut "A" down on adjustment rod.
- Adjust until both rear mower flanges are the same height above the ground. Tighten nuts "A" and "B" securely.
- Snap access cover in place.

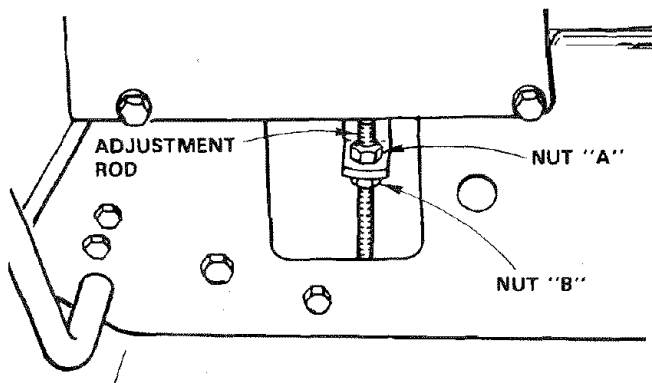


FIGURE 43

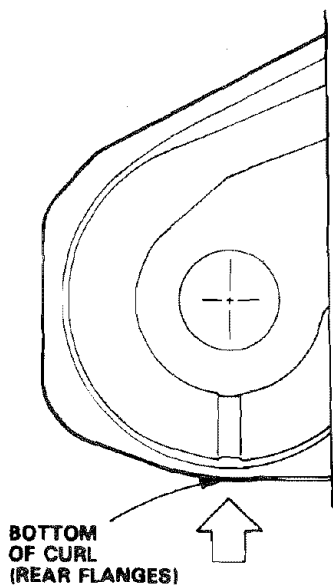
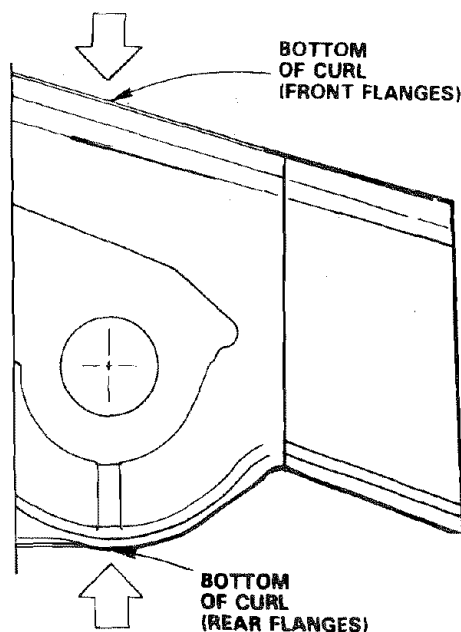


FIGURE 44

Front to Rear Mower Adjustment

Move attachment lift lever to full "UP" position. After leveling side to side, measure Bottom of Curl at FRONT AND REAR OF MOWER. The bottom of curl at the R.H. front flanges should measure 3/4" lower than at the R.H. REAR flange (Fig. 44). If adjustment is required follow the procedure below.

- To raise front of mower loosen nuts "D". Screw nuts "C" up onto suspension arms (Fig. 45). NOTE: SCREW NUTS "C" ON BOTH SUSPENSION ARMS THE SAME NUMBER OF TURNS SO MOWER WILL REMAIN LEVEL. Tighten nuts "D" securely.
- To lower front of mower loosen nuts "C". Screw nuts "D" down suspension arms. NOTE: SCREW NUTS "D" THE SAME NUMBER OF TURNS SO MOWER WILL REMAIN LEVEL. Tighten nuts "C" securely.
- With mower deck at desired height, set gauge wheels (Fig. 46) to lowest position without touching the ground.
- Use attachment lift lever to set mower at the approximate cutting height you need.
- Use clevis pin (Fig. 46) to set gauge wheels at lowest point without touching the ground.



REPAIR AND ADJUSTMENT

14. Blade Drive Belt Removal and Replacement

BELT ROUTING DECAL UNDER MOWER DECK COVER.

- a. Remove mower from tractor (see page 23).
- b. Remove top cover self tapping screws, lockwashers and nuts from idler arm bolt.
- c. Roll belt over the top of the R.H. mandrel.
- d. Pull belt off all other mandrels.
- e. Remove any dirt and grass which may have accumulated around mandrels and idler arm.
- f. Check deck idler arm assembly and flat idler to see that they rotate freely (Fig. 47).
- g. Be sure spring is hooked in deck idler arm assembly and on bolt in mower housing (Fig. 47).
- h. Install new belt in groove of L.H. mandrel sheave, lower groove of center mandrel sheave and around flat idler as shown (Fig. 47).
- i. From a position at discharge end of mower, roll belt into groove of R.H. mandrel sheave (Fig. 47).
- j. Rotate center mandrel sheave by hand to make sure belt is in grooves properly.

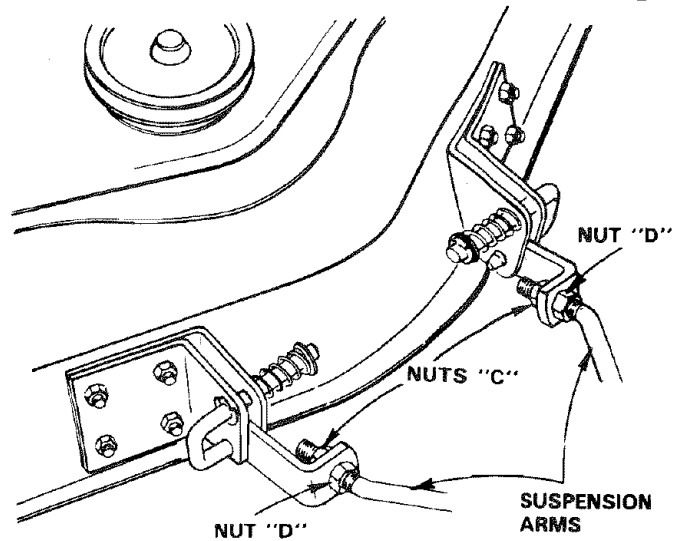


FIGURE 45

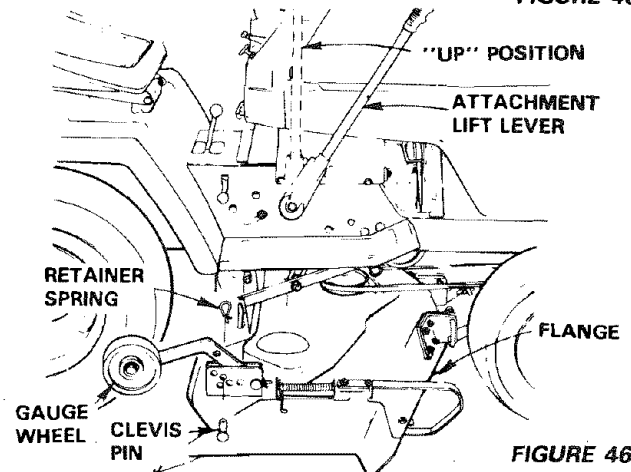


FIGURE 46

BLADES WILL ROTATE WITH CENTER MANDREL SHEAVES.

- k. Reassemble top cover to deck. Tighten all screws securely.
- l. Install mower to tractor (see page 10).

15. Attachment Lift Spring Adjustment

Due to different weights of attachments, the attachment lift spring may require adjustment. The adjustment bolt is located on rear of tractor top left side (Fig. 48).

- a. Holding spring bushing with wrench, loosen jam nuts.
- b. Turn adjustment bolt clockwise (↻) to extend spring and reduce lift effort (for heavier attachments).
- c. Turn adjustment bolt counterclockwise (↻) (for lighter attachments).
- d. Retighten jam nut against spring bushing.

NOTE: DO NOT ADJUST FOR MAXIMUM SPRING TENSION WHEN USING LIGHT ATTCHMENTS SUCH AS A MOWER. ADJUST LIFT LEVER TO AID IN LIFTING ATTCHMENT. DO NOT OVER POWER SPRING. WHEN REMOVING ATTACHMENT ALWAYS ADJUST WITH SPRING TENSION TO ITS LOWEST POSITION

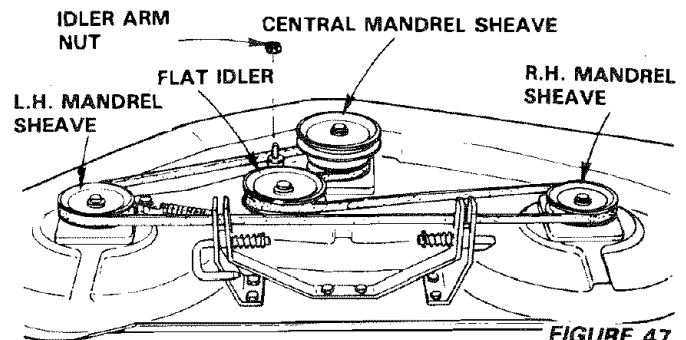


FIGURE 47

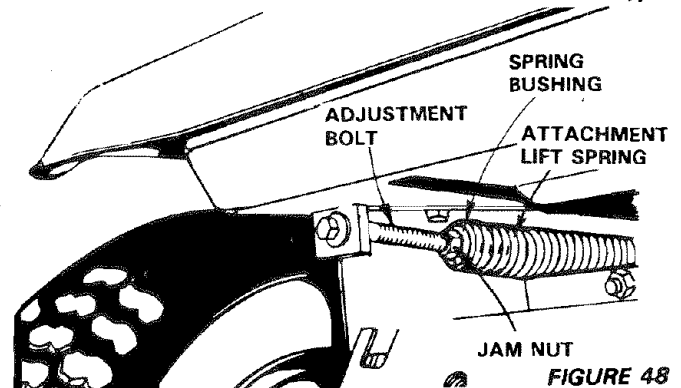


FIGURE 48

REPAIR AND ADJUSTMENT

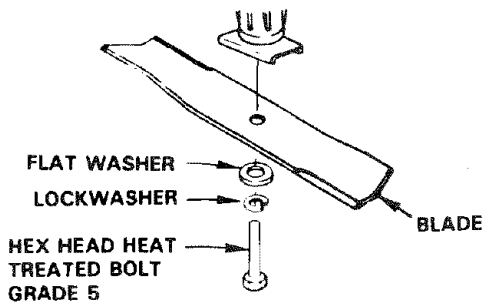
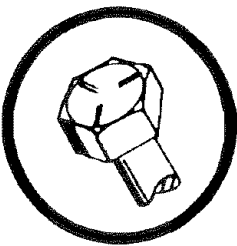
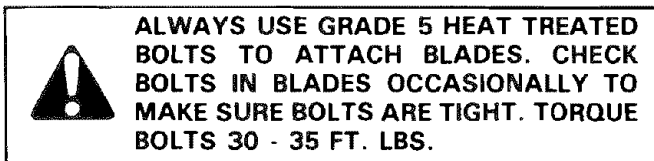


FIGURE 49

16. Blade Replacement

It is not necessary to remove mower from tractor for blade replacement. Moving adjustment lift lever to up (Rear) position will permit access to blades.

- a. Remove the hex head bolt, lockwasher and flat washer (Fig. 49).
- b. Remove and discard old blade.
- c. Clean top and bottom of mower housing.
- d. Install new blade with SHARP EDGE DOWN and secure with flat washer, lockwasher and hex head bolt. TIGHTEN SECURELY.



A GRADE 5 HEAT TREATED BOLT CAN BE IDENTIFIED BY THREE LINES ON THE BOLT HEAD AS SHOWN ON LEFT.

17. Storage

Remove mower from tractor for winter storage. When mower is to be stored for a period of time, clean it thoroughly, remove all dirt, grease, leaves, etc. Store in a clean dry area.

A. Fuel System

It is important to prevent gum deposits from forming in essential fuel system parts such as the carburetor, fuel filter, fuel hose, or tank during storage. Also, experience indicates that alcohol blended fuels (called gasohol or using ethanol or methanol) can attract moisture which leads to separation and formation of acids during storage. Acidic gas can damage the fuel system of an engine while in storage. To avoid engine problems, the fuel system should be emptied before storage of 30 days or longer.

B. Engine Oil

Drain (with engine warm) and replace with clean engine oil, (See chart page 16).

C. Cylinders

1. Remove spark plugs.
2. Pour one ounce of oil through spark plug holes into cylinders.
3. Turn ignition key to "START" position for a few seconds to distribute oil.
4. Replace with new spark plugs.

D. Battery

1. Prior to storage, clean terminals and top of battery.
2. After a period of time in storage, battery may require recharging.

E. General Cleaning

Clean engine, battery, seat, finish, etc. of all foreign matter.

F. Store in a Clean Dry Area

TROUBLESHOOTING

POSSIBLE CAUSE	CAUSE/ REMEDY (SEE INDEX)
WILL NOT START	<p>Push Clutch/Brake Pedal into Brake Position Move Attachment Clutch Switch to "Disengaged Position" Fill Tank with Gasoline. Check Fuel Line and Carburetor (clean if necessary) Replace Fuel Filter Check fuse for fault and replace Recharge or replace Battery Check Wiring Replace Spark Plugs and adjust gap</p>
WILL NOT TURN OVER	<p>Charge Battery Replace Ignition Switch Engage Clutch/Brake Pedal Move Attachment Clutch Switch to "Disengaged Position" Replace Interlock Switch Replace Solenoid Replace Spark Plugs Replace Fuse Check All Wire Connections</p>
ENGINE CLICKS BUT WON'T START	<p>Replace Starter Charge or Replace Battery</p>
HARD TO START	<p>Place Throttle Control in "FAST" position and run starter several times to clear out gas Remove and clean Fuel Tank and lines. Replace Fuel Filter Remove Air Filter and clean Replace Spark Plugs and adjust gap Replace Battery Check the wiring and Spark Plugs Drain Fuel Tank and Carburetor, use fresh fuel and replace Spark Plugs Make necessary adjustments to Carburetor Major Engine Overhaul</p>
ENGINE MISSES OR LACKS POWER	<p>Shift to a lower gear or reduce load Remove and clean Tank; replace Fuel Filter Remove and clean Air Cleaner Make necessary carburetor adjustments Clean Air Screen Repace Spark Plugs Add or change oil Check Spark Plugs and check for any loose wires Major Engine overhaul Drain Gas Tank and Carburetor and refill</p>
ENGINE OVERHEATS	<p>Clean Air Screen Add or change oil Clean Engine Cooling Fins Remove and clean Muffler or replace Remove and clean Air Filter Use fresh fuel and adjust Carburetor</p>
NO LIGHTS	<p>Check Fuse, Switch and Wire Connections Replace Headlight Bulbs</p>
WON'T CHARGE	<p>Check for Fuse fault and replace Replace Battery Replace Regulator Replace Alternator</p>
<p>OPERATOR PRESENCE SYSTEM WILL NOT SHUT DOWN ENGINE WHEN OPERATOR LEAVES SEAT NOTE: THIS TRACTOR IS EQUIPPED WITH AN OPERATOR PRESENCE SENSING SYSTEM. ANY ATTEMPT BY THE OPERATOR TO LEAVE THE SEAT WITH THE ENGINE RUNNING AND THE ATTACHMENT CLUTCH ENGAGED WILL SHUT DOWN THE ENGINE.</p>	<p>Engage Attachment Clutch Check All Wire Connections Check Seat Switch Check Operator Presence Relay Check PTO Switch Check proper installation of washers under seat springs - see page 33</p>

TROUBLESHOOTING

<p>UNSATISFACTORY MOWER PERFORMANCE UNEVEN DISTRIBUTION OF CLIPPINGS</p>	<p><i>Check air pressure in tires Check front to rear and side to side mower adjustment Use a slower ground speed Replace mower blades Reinstall mower blades with top of blades up Re-adjust mower drive belt Clean underside of mower deck Sharpen blades</i></p>
<p>MOWER BLADES WILL NOT ROTATE</p>	<p><i>Install new Mower Drive Belt Reinstall Mower Drive Belt Replace Attachment Clutch Switch Replace Frozen Mandrel Replace Frozen Pulley</i></p>
<p>EXCESSIVE MOWER VIBRATION</p>	<p><i>Replace Bent or Unbalanced Blade Replace Mandrel, Straighten Deck or replace</i></p>
<p>WIND ROWING STRIPPING OR DROPPING OF GRASS CLIPPINGS</p>	<p><i>Let grass dry out Clean underside of Mower Deck Level Mower Replace Blades</i></p>
<p>UNEVEN CUT OR SCALPING</p>	<p><i>Level Mower Adjust Gauge Wheels Replace Blades</i></p>

SERVICE RECORD

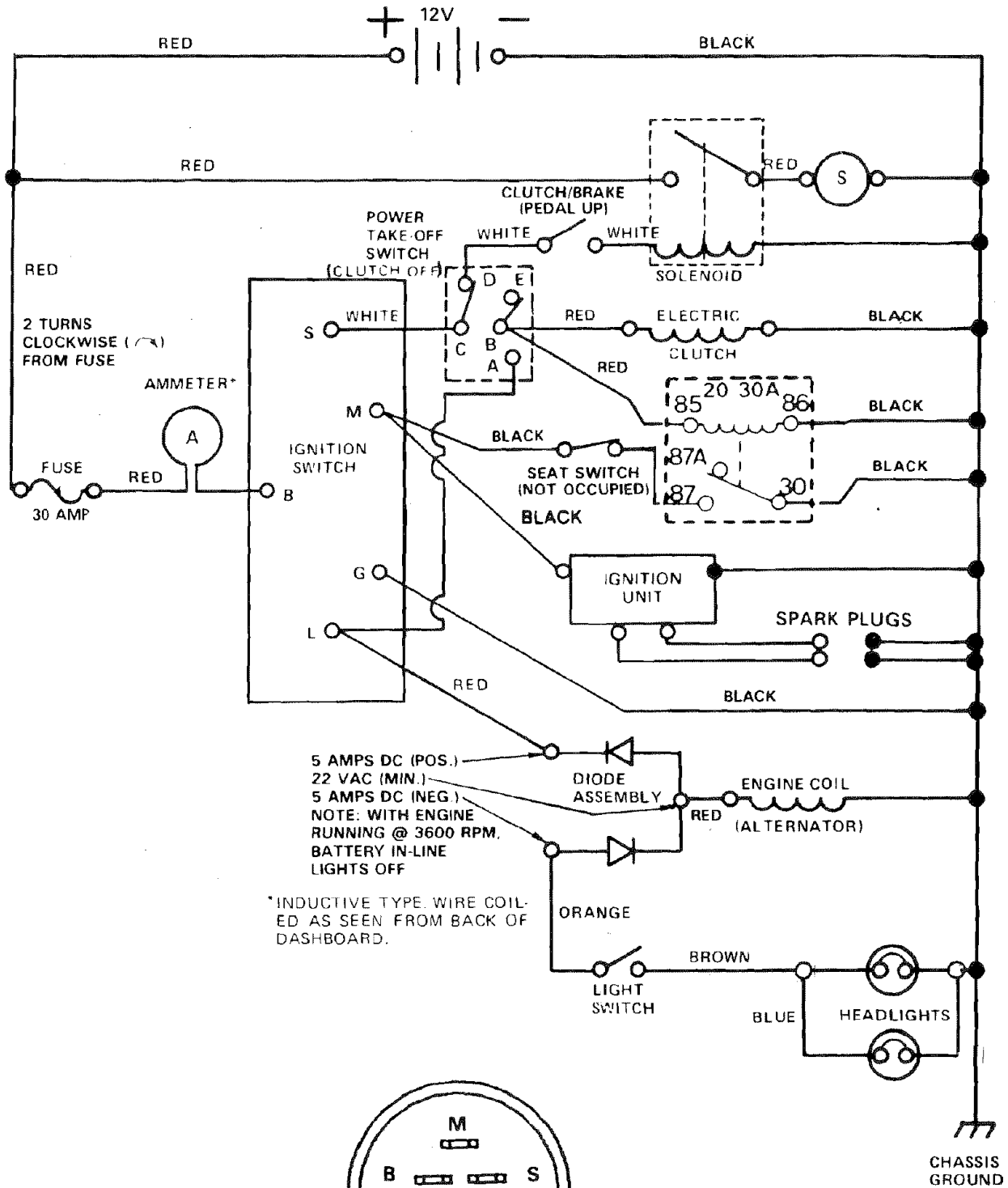
<p>SERVICE RECORD</p> <p>Fill in dates as you complete regular service</p>	SCHEDULE							
	FIRST 2 HOURS	EVERY 5 HOURS	EVERY 25 HOURS	EVERY 50 HOURS	EVERY 100 HOURS			
Blades			X					
Brake Adjustment			X					
Check Battery				X				
Change Engine Oil	X			X				
Check Engine Oil Level		X						
Clean Air Cleaner Element				X				
Check Muffler				X				
Clean Air Screen				X				
Clean Front Grill				X				
Lubricate Tractor				X				
Replace Spark Plugs					X			
Replace Air Cleaner Element					X			
Tires			X					

Sears, Roebuck and Co. reserves the right to make any changes in design or improvements without imposing any obligation to install the same upon its terms heretofore manufactured.

REPAIR PARTS

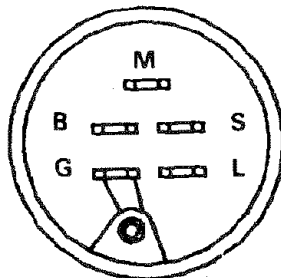
GT 18 TWIN GARDEN TRACTOR--MODEL NUMBER 917.255917

SCHEMATIC



IGNITION SWITCH

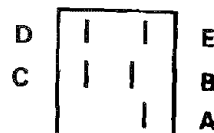
POSITION	CIRCUIT
OFF	M-G
ON	B-L
START	B-S



WIRING INSULATED CLIPS
NOTE: IF WIRING INSULATED CLIPS WERE REMOVED FOR SERVICING OF UNIT, THEY SHOULD BE REPLACED TO PROPERLY SECURE YOUR WIRING

PTO SWITCH

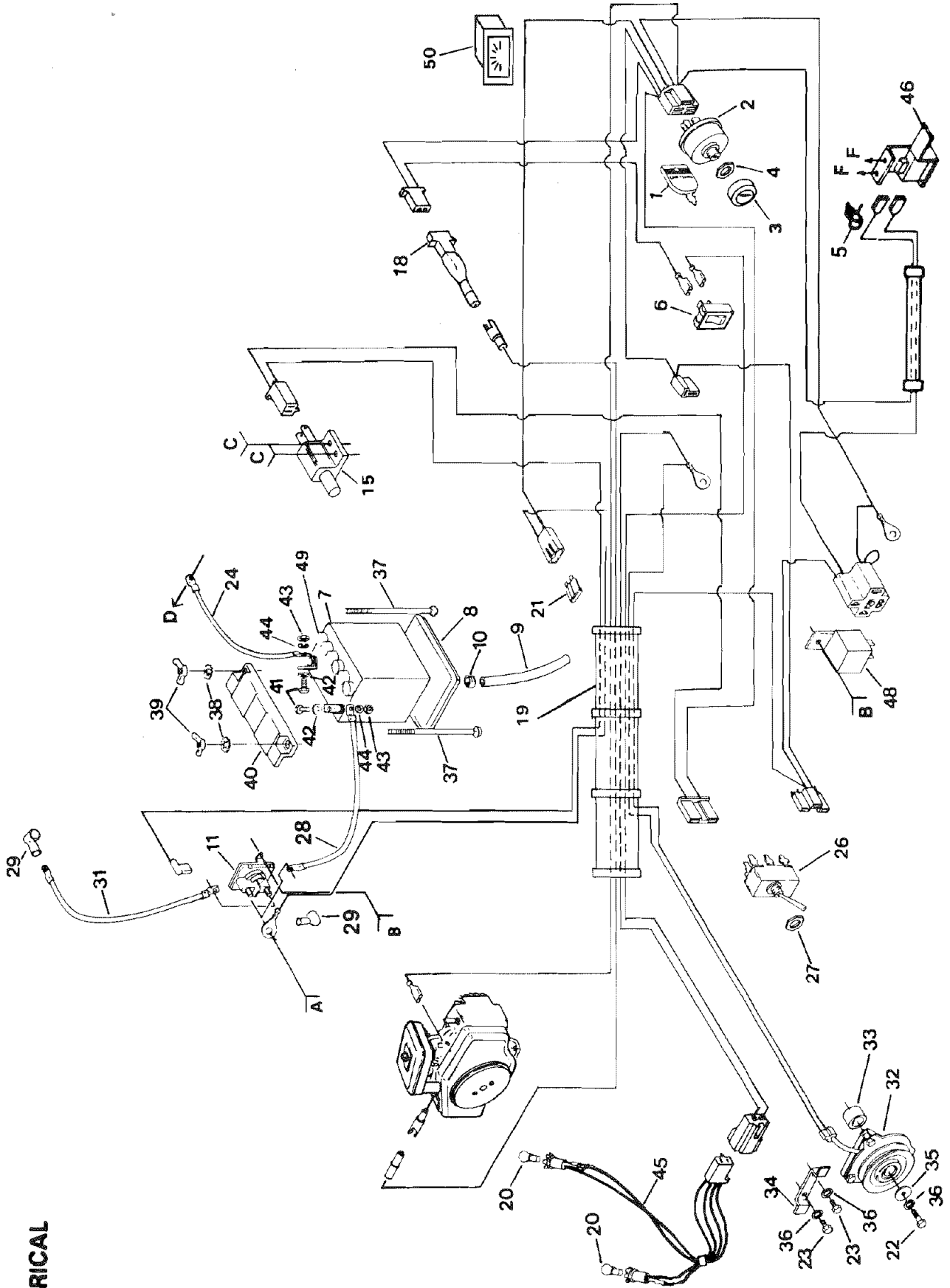
POSITION	CIRCUIT MAKE
OFF	B&E, C&D
ON	B&A



REPAIR PARTS

GT 18 TWIN GARDEN TRACTOR - MODEL NUMBER 917.255917

ELECTRICAL



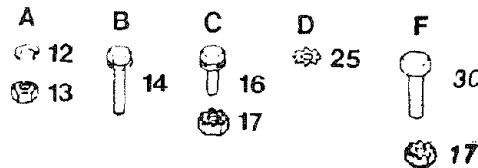
REPAIR PARTS

GT 18 TWIN GARDEN TRACTOR--MODEL NUMBER 917.255917

ELECTRICAL

KEY NO.	PART NO.	DESCRIPTION	KEY NO.	PART NO.	DESCRIPTION
1	109310X	Key	25	11050600	Washer - Lock - Ext. Tooth 3/8"
2	STD365402	Switch - Ignition	26	4021J	Switch - P.T.O.
3	109787X	Bezel - Ignition	27	4022J	Nut - Hex
4	109788X	Nut - Ignition	28	4799J	Cable - Battery
5	4171 R	Clip	29	719J	Cover - Terminal
6	108240X	Switch - Light	30	74641008	Screw 10- 32 x 1/2
7	9138R	Battery	31	5115J	Cable - Starter
8	7603J	Tray - Battery	32	109550X	Clutch - Electric
9	100541K	Tube - Drain	33	106367X	Spacer - Clutch
10	109596X	Clamp - Hose	34	108170X	Stop - Clutch
11	109081X	Solenoid	35	19132203	Washer
12	10090400	Washer - Lock 1/4	36	STD551137	*Washer - Lock 3/8
13	STD541225	*Nut - Hex Jam 1/4 - 20	37	72240460	Bolt - Carriage 1/4 - 20 x 7 - 1/2
14	17190408	Screw - Hex Washer Thread Cutting 1/4 - 20 x 1/2	38	11030400	Washer - Lock - Int./Ext. Tooth 1/4
15	104445X	Switch - Interlock	39	STD541625	*Nut - Wing 1/4 - 20
16	71031008	Screw - Hex Washer No. 10 - 32 x 1/2	40	102476X	Guard - Terminal
17	73951000	Nut - Keps No. 10 - 32	41	STD522507	*Bolt - Hex 1/4 - 20 x 3/4
18	106315X	Diode Assembly	42	STD551025	*Washer 9/32 x 5/8 x 16 Ga.
19	121041X	Harness - Ignition	43	STD541025	*Nut - Hex 1/4 - 20
20	4152J	Bulb - Headlight	44	STD551125	*Washer - Lock 1/4
21	108824X	Fuse - 30 Amp	45	110859X	Harness - Light Socket
22	74610628	Bolt - Hex 3/8 - 24 x 1 - 3/4	46	121064X	Switch - Seat
23	STD523707	*Bolt - Hex 3/8 - 16 x 3/4	48	109748X	Relay - Operator Presence
24	121080X	Cable - Ground	49	120353X	Cap Set - Battery
			50	121111X	Ammeter
				101539X	Sheet - Instruction, Tractor 15° Slope
				110917X	Manual - Owners

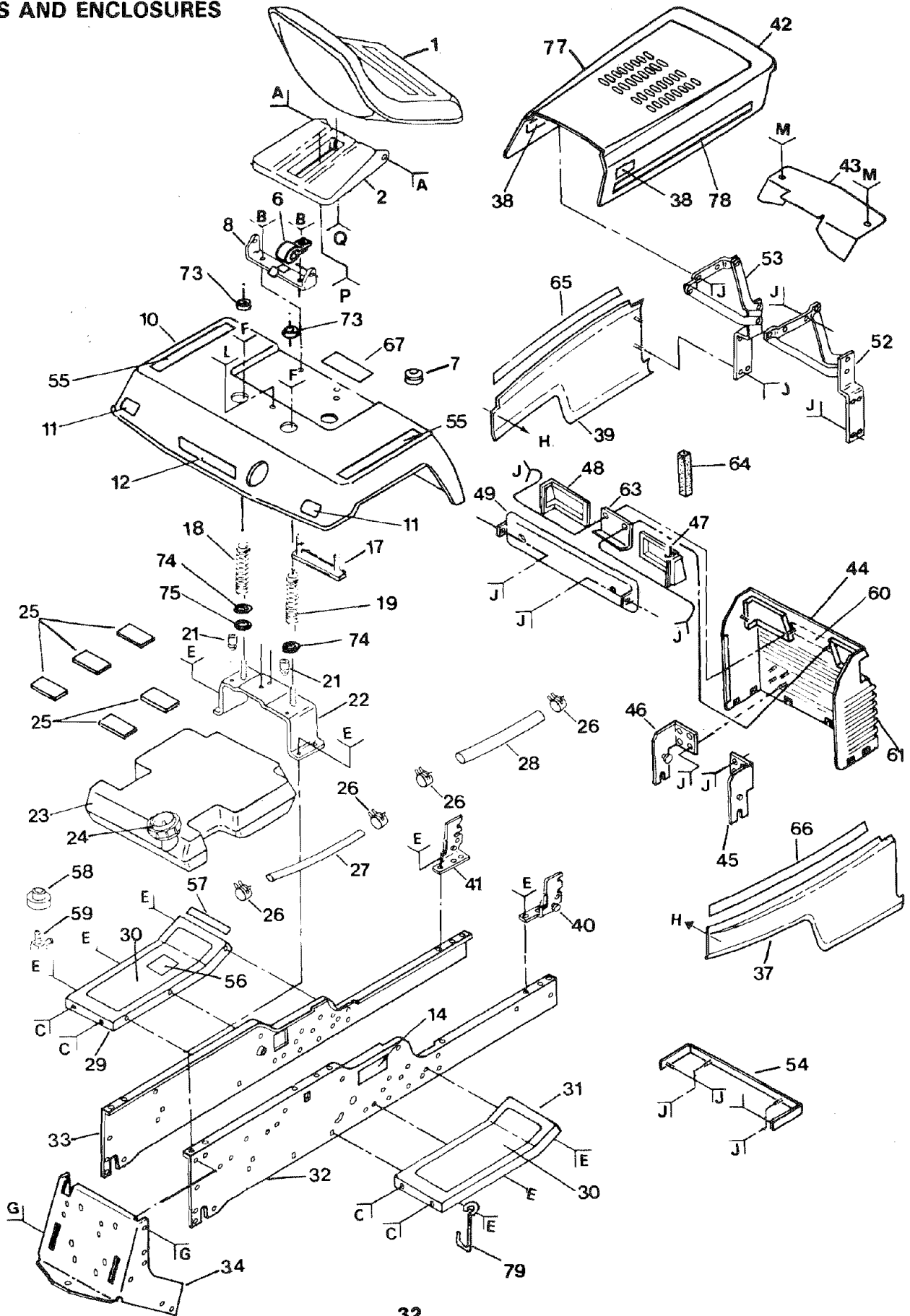
*STANDARD HARDWARE--PURCHASE LOCALLY



REPAIR PARTS

GT 18 TWIN GARDEN TRACTOR- -MODEL NUMBER 917.255917

CHASSIS AND ENCLOSURES



REPAIR PARTS

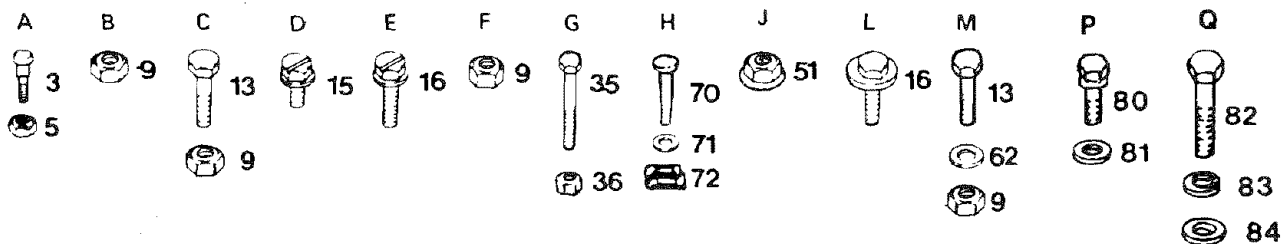
GT 18 TWIN GARDEN TRACTOR- -MODEL NUMBER 917.255917

CHASSIS AND ENCLOSURES

KEY NO.	PART NO.	DESCRIPTION	KEY NO.	PART NO.	DESCRIPTION
1	120066X	Seat	46	108513X	Bracket - Pivot, Grill, L.H.
2	121069X	Pan - Seat	47	106003X	Lens R.H.
3	105529X	Bolt - Shoulder	48	106004X	Lens L.H.
5	73680500	Nut - Lock 5/16 - 18	49	110897X	Bezel
6	2751R	Clip	51	108067X	Nut - Pal
7	109641X	Grommet	52	106091X	Hinge - R.H.
8	105513X	Bracket - Pivot, Seat	53	106090X	Hinge - L.H.
9	73680600	Nut - Lock 3/8 - 16	54	110350X	Strap - Grill
10	109593X	Fender	55	109139X	Decal - Fender
11	106202X	Reflector - Taillight	56	106868X	Decal - Drive Belt Schematic
12	105801X	Decal	57	4900J	Decal - Clutch/Brake
13	STD523707	*Bolt - Hex 3/8 - 16 x 3/4	58	3645J	Bushing
14	105567X	Decal - Chassis	59	8710J	Stem - Fuel Tank
15	17490608	Screw - Hex Washer Thread Rolling 3/8 - 16 x 1/2	60	105806X	Decal - Grill
16	17490616	Screw - Hex Washer Thread Rolling 3/8 - 16 x 1	61	105568X	Decal - Grill (Stripe)
17	105511X	Strap - Fender	62	19131416	Washer 13/32 x 7/8 x 16 Ga.
18	121068X	Spring - Compression, L.H.	63	106092X	Support - Heat Shield
19	121067X	Spring - Compression, R.H.	64	106088X	Strip - Foam
21	105531X	Nut - Push	65	106813X	Decal - Stripe, Side Panel, L.H.
22	105509X	Bracket - Fender	66	106814X	Decal - Stripe, Side Panel, R.H.
23	106020X	Tank - Fuel	67	106974X	Decal - Caution
24	109462X	Cap - Fuel	70	106909X	Screw - Special
25	106082X	Pad - Spacer	71	106910X	Washer
26	6999R	Clamp - Hose	72	108402X	U-Clip
27	7834R	Line - Fuel	73	121093X	Cap, Spring
28	7833R	Line - Fuel	74	19131614	Washer, 13/32 x 1 x 14 Ga.
29	105465X	Footrest - L.H.	75	120609X	**Washer 7/16 x 2 x 12 Ga.
30	105466X	Pad - Footrest	77	108743X	Decal Stripe, Hood, L.H.
31	105464X	Footrest - R.H.	78	108744X	Decal Stripe, Hood, R.H.
32	110892X	Rail - Frame - R.H.	79	105500X	Retainer, Belt, Lower
33	110893X	Rail - Frame L.H.	80	121094X	Shoulder Bolt, 5/16 - 18 UNC
34	7982J	Drawbar	81	19151616	Washer, 5/16 x 1 x 16 Ga.
35	74760716	Bolt - Hex 7/16 - 14 x 1	82	74330808	Screw, Hex 1/2 - 13 x 3/4 Gr. 5
36	73680700	Nut - Lock 7/16 - 14	83	10040800	Lockwasher, 1/2
37	108403X	Panel - Side, R.H.	84	19171912	Washer, 17/32 x 1 3/16 x 12 Ga.
38	105562X	Decal			
39	108410X	Panel - Side, L.H.			
40	121054X	Bracket - Pivot, Frame, R.H.			
41	121055X	Bracket - Pivot, Frame, L.H.			
42	106013X	Hood			
43	110875X	Shield - Heat, Front			
44	105528X	Grill			
45	108512X	Bracket - Pivot, Grill, R.H.			

*STANDARD HARDWARE—PURCHASE LOCALLY

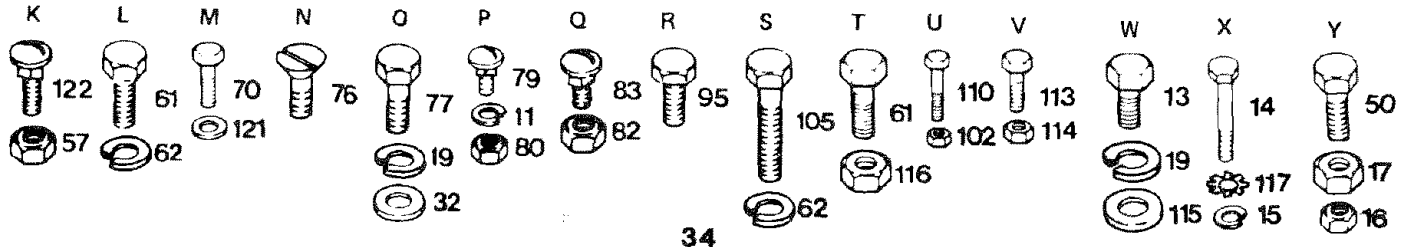
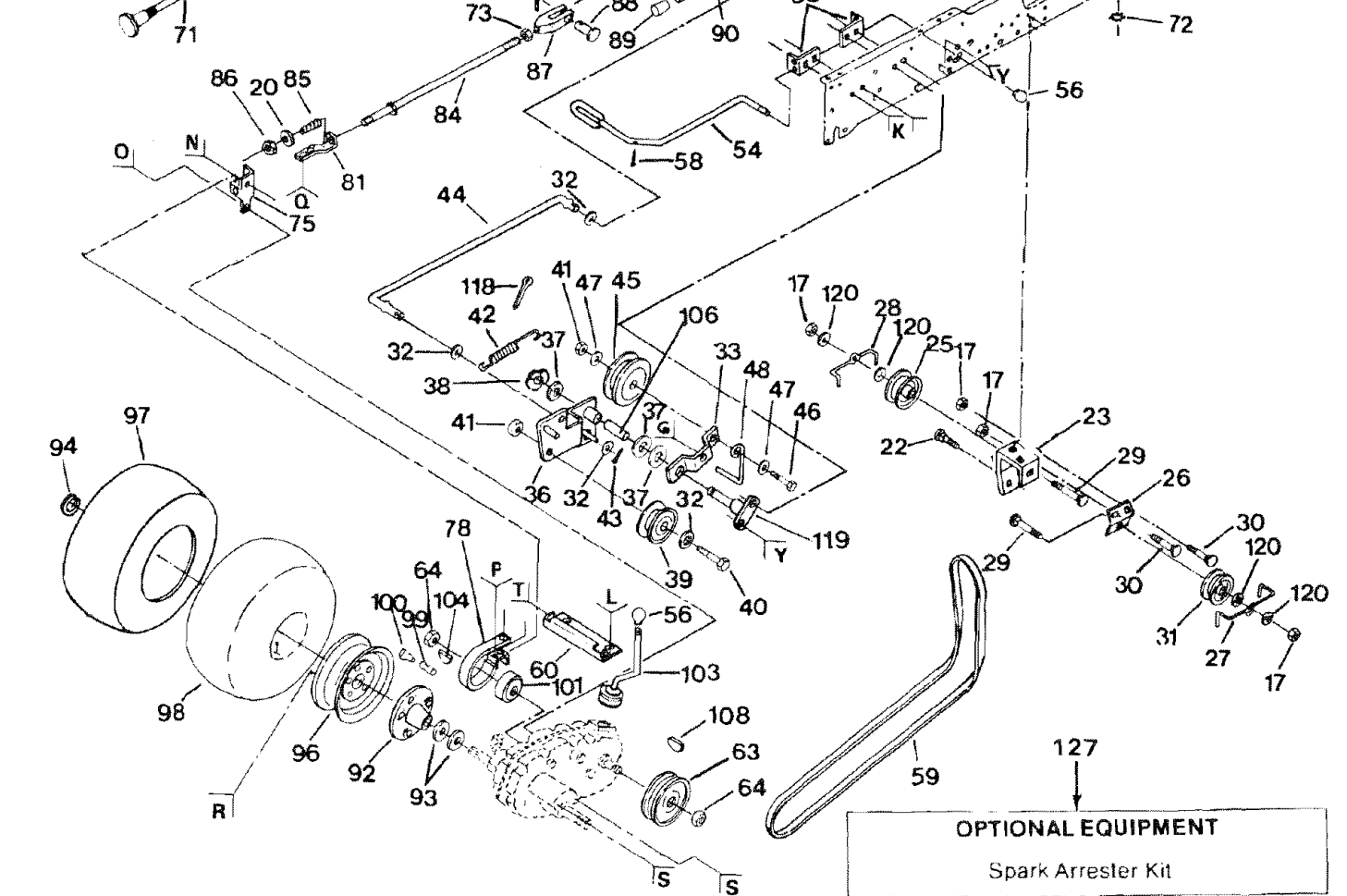
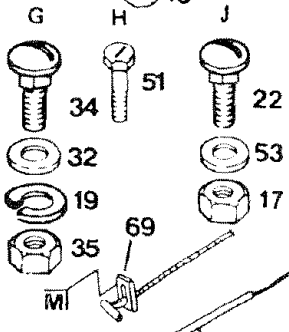
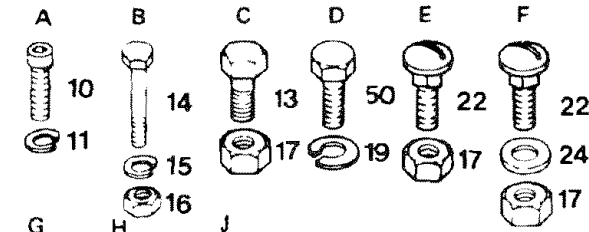
** IT IS IMPORTANT THAT THE CORRECT WASHERS BE INSTALLED UNDER THE SEAT SPRINGS. KEY # 75 IS INSTALLED UNDER THE LEFT SPRING ONLY. KEY # 74 IS INSTALLED UNDER BOTH LEFT AND RIGHT SPRINGS. THE OPERATOR PRESENCE SYSTEM (page 13) WILL NOT OPERATE WITHOUT THESE WASHERS.



REPAIR PARTS

GT 18 TWIN GARDEN TRACTOR--MODEL NUMBER 917.255917

GROUND DRIVE



REPAIR PARTS

GT 18 TWIN GARDEN TRACTOR- -MODEL NUMBER 917.255917

GROUND DRIVE

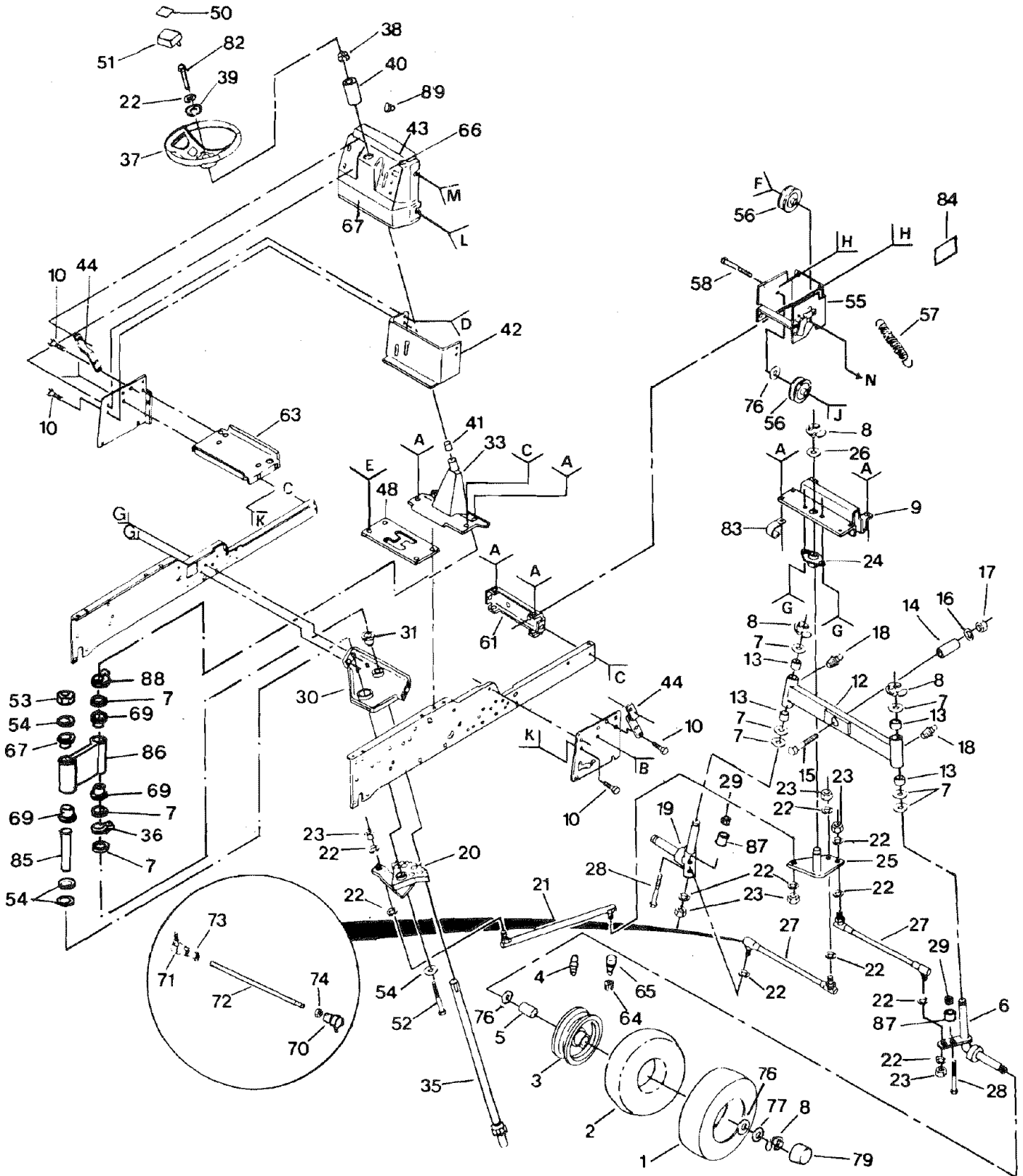
KEY NO.	PART NO.	DESCRIPTION	KEY NO.	PART NO.	DESCRIPTION
2	110864X	Engine Model Number 422437 Type 1209 Trim 01	67	STD571812	*Pin, Roll, 3/16 x 1 - 1/4
4	120374 X	Valve, Oil Drain	68	106021X	Spring, Extension
6	110890X	Tube - Exhaust	69	120055X	Control, Throttle
8	110887X	Muffler	70	17720408	Screw, Hex, Thd. Cut. 1/4-20 x 1/2
9	8545J	Gasket, Muffler	71	110879X	Control, Choke
10	74570412	Screw, Socket Hd., 1/4 - 20 x 3/4	72	11050600	Washer, Lock, Ext Tooth, 3/8
11	STD551125	*Washer, Lock, 1/4	73	STD541137	*Nut, 3/8-24
12	110867X	Base, Engine	74	8883R	Cover, Pedal
13	STD523707	*Bolt, Hex, 3/8 - 16 x 3/4	75	677A637	Bracket, Brake
14	STD523112	Bolt 5/16 - 18 x 1 - 1/4	76	74370612	Screw, Mach., Unct. Fl. Hd., 3/8 - 16 x 3/4
15	STD551131	Washer Lock 5/16	77	74760614	Bolt, Hex, 3/8 - 16 x 7/8
16	STD541031	Nut 5/16 - 18	78	7920J	Band, Brake
17	73680600	Nut, Lock, 3/8 - 16	79	72140405	Bolt, Carr., 1/4 - 20 x 5/8
18	120394X	Pulley, Ground Drive	80	STD541025	*Nut, Hex, 1/4 - 20
19	STD551137	*Washer, Lock, 3/8	81	7229J	Guide, Rod, Brake
20	19131614	Washer, 13/32 x 1 x 14 Ga.	82	1685H	Nut, Lock, 5/16 - 18
22	72110608	Bolt, Carriage 3/8 - 16 x 1	83	STD533110	*Bolt, Carr., 5/16 - 18 x 3/4
23	121063X	Bracket, V-Pulley, Drive, Mule	84	5308J	Rod, Brake
24	19131612	Washer, 13/32 x 1 x 12 Ga.	85	7241J	Spring, Compression
25	120394X	Pulley 101 344L	86	73530600	Nut, Lock, 3/8 - 24
26	121065X	Bracket, Idler, Flat	87	100604K	Yoke
27	120157X	Guard, Belt, Mule Drive, Flat Idler	88	5102J	Pin, Clevis
28	106023X	Guard, Belt, Mule Drive, V-Idler	89	71673	Cap, Plunger
29	72110616	Bolt, Carr., 3/8 - 16 x 2	90	109767X	Rod, Parking Brake
30	STD533707	*Bolt, Carr., 3/8 - 16 x 3/4	91	110042X	Decal, Engine
31	102403X	Idler, Flat	92	634A692	Bushing and Wheel Hub
32	STD551037	*Washer, 13/32 x 13/16 x 16 Ga.	93	7563R	Washer, Thrust, Axle
33	101347L	Bracket, Flat Idler	94	12000034	Klip Ring
34	STD533710	*Bolt, Carr., 3/8 - 16 x 1	95	1304H	Bolt, Hub
35	STD541037	*Nut, Hex, 3/8 - 16	96	106277X	Wheel, Rear
36	105592X	Bracket, Clutch w/Bearing (Inc. Key No. 106)	97	105588X	Tire, Rear
37	207J	Washer, Hardened	98	7154J	Tube, Tire (Not furnished)
38	12000039	Klip Ring	99	65139	Valve, Tire
39	110484X	Idler, Grooved	100	59192	Cap, Valve
40	STD523715	*Bolt, Hex, 3/8 - 16 x 1 - 1/2	101	214J	Drum, Brake
41	73930600	Nut, Lock, 3/8 - 16	102	STD541410	*Nut - Lock No. 10 - 24
42	101355X	Spring, Extension	103	633A109	Gear Shift Lever Assembly
43	STD570907	*Pin, Cotter 3/32 x 3/4	104	2228M	Key, Woodruff
44	101356L	Rod, Clutch	105	74760724	Bolt, Hex 7/16 - 14 x 1 - 1/2
45	104360X	Idler, Flat	106	101350K	Bearing - Idler
46	STD523720	*Bolt, Hex, 3/8 - 16 x 2	108	9858M1	Key - Woodruff
47	19131413	Washer, 13/32 x 7/8 x 13 Ga.	109	5304J	Actuator - Switch, Interlock
48	105597X	Retainer, Belt	110	74321016	Screw - Fin 10 - 24 x 1
49	104577X	Adapter	111	2751R	Clip
50	STD523710	*Bolt, Hex, 3/8 - 16 x 1 Gr. 5	112	104601X	Bracket - Interlock
51	17190512	Screw, Hex, Slotted, 5/16 - 18 x 3/4	113	STD522507	*Bolt - Hex 1/4 - 20 x 3/4
54	122253X	Rod, Shift, Hi-Lo	114	73680400	Nut - Crownlock 1/4 - 20
55	105598X	Bracket, Rod, Shift	115	19131210	Washer 13/32 x 3/4 x 10 Ga.
56	100196K	Knob	116	73680700	Nut - Crownlock 7/16 - 14
57	73680500	Nut, Lock, 5/16 - 18	117	11050500	Washer - Lock Ext. Tooth 5/16
58	122268X	Connecting Link, Spring Klip	118	76020816	Pin - Cotter 1/4 x 1
59	110883X	V-Belt	119	101358K	Bracket - Assembly Clutch
60	120404X	Bracket, Support, Transaxle	120	19131612	Washer 13/32 x 1 x 12 Ga.
61	74760716	Bolt, Hex, 7/16 - 14 x 1	121	STD551025	*Washer 9/32 x 5/8 x 16 Ga.
62	STD551143	*Washer, Lock 7/16	122	72140506	Bolt - Carriage 5/16 - 18 x 3/4
63	120332X	Pulley, Transaxle	124	74760624	Bolt - 3/8 - 16 x 1 - 1/2
64	9204H	Nut, Lock, 1/2 - 20	125	74760620	Bolt - Hex, 3/8 - 16 x 1 - 1/4
65	104375X	Shaft, Foot Pedal	126	110895X	Nyliner
66	19252016	Washer, 25/32 x 1 - 1/4 x 16 Ga.	127	120615X	Spark Arrester Kit

*STANDARD HARDWARE - PURCHASE LOCALLY

REPAIR PARTS

GT 18 TWIN GARDEN TRACTOR- -MODEL NUMBER 917.255917

STEERING



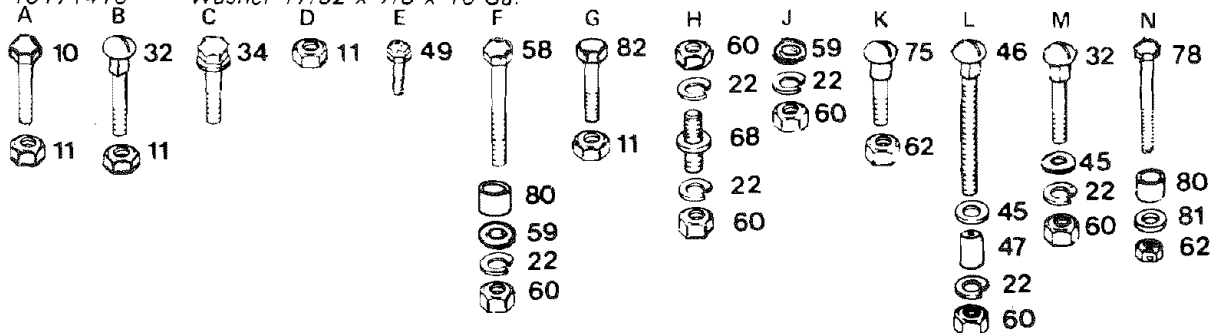
REPAIR PARTS

GT 18 TWIN GARDEN TRACTOR--MODEL NUMBER 917.255917

STEERING

KEY NO.	PART NO.	DESCRIPTION	KEY NO.	PART NO.	DESCRIPTION
1	106230X	Tire, 16 x 6.50	46	72110622	Bolt - Carr. 3/8 - 16 x 2 - 3/4
2	8134H	Tube, Front (not furnished with tractor)	47	106486X	Spacer
3	106228X	Front Wheel (Inc. Key No. 3 and of Key No. 4)	48	106042X	Cover, Gate, Shift
4	278H	Fitting, Grease	49	17240408	Screw, Hex Washer Thd. Cutting 1/4 - 20 x 1/2
5	9040H	Bearing	50	105810X	Decal, Insert
6	106045X	Spindle, R.H.	51	100710L	Cap, Steering Wheel
7	6266H	Bearing, Thrust	52	STD525020	*Bolt - Hex 1/2 - 13 x 2
8	12000029	Klip Ring	53	73680800	Nut, Lock 1/2 - 13
9	5284J	Bracket, Axle	54	19172610	Washer 17/32 x 1 - 5/8 x 10 Ga.
10	STD523707	*Bolt - Hex 3/8 - 16 x 3/4	55	120542X	Bracket, Idler
11	73680600	Nut, Lock, 3/8 - 16	56	677A451	Pulley, Idler
12	674A244	Axle, Front (Inc. Key 13)	57	7190J	Spring
13	1309H	Bearing	58	STD523720	*Bolt, Hex 3/8 - 16 x 2
14	5298J	Tube, Pivot, Axle	59	19131413	Washer 13 32 x 7 8 x 13 Ga.
15	74781044	Bolt, Hex 5/8-11 x 2-3/4 Gr. 5	60	STD541037	*Nut - Hex 3/8 - 16
16	STD551162	*Washer, Lock 5/8	61	5213J	Bracket, Frame Front
17	STD541062	*Nut, Hex 5/8 - 11	62	73680500	Nut, Lock 5 16 - 18
18	6855M	Fitting, Grease	63	7985J	Support, Battery
19	106046X	Spindle, L.H.	64	65139	Stem, Valve
20	120424X	Sector Assembly	65	59192	Cap, Valve
21	110497X	Link, Drag	66	108811X	Decal, Dash, Instruction
22	STD551137	*Washer, Lock 3/8	67	108456X	Decal, Instruction
23	STD541137	*Nut, Hex 3/8 - 24	68	106615X	Pin, Mounting, Idler Bracket
24	5292J	Bushing, Bellcrank	69	120200X	Nyliner
25	108137X	Bellcrank	70	109850X	Joint - Tie Rod - R.H. Thread
26	19292016	Washer 29/32 x 1 - 1/4 x 16 Ga.	71	109851X	Joint - Tie Rod - L.H. Thread
27	109849X	Rod, Tie	72	7919J	Rod - Tie
28	STD523720	*Bolt, Hex 3/8 - 16 x 2 Gr. 5	73	73700600	Nut - Hex Jam 3 8 - 24 L.H.
29	73510600	Nut, Keps 3/8 - 16	74	STD541337	*Nut - Hex Jam 3 8 - 24
30	102439X	Bracket, Support, Steering	75	STD533107	*Bolt - Carriage 5 16 - 18 x 3 4
31	104239X	Bearing, Flanged	76	19132007	Washer 13 32 x 1 - 1 4 x 7 Ga.
32	72110608	Bolt, Carr. 3/8 - 16 x 1 Gr. 5	77	19252616	Washer 25 32 x 1 - 5 8 x 16 Ga.
33	101274N	Support, Steering	78	74930516	Bolt, Hex 5:16 - 18 x 1
34	17490612	Screw, Hex Washer Thd. Rolling 3/8 - 16 x 3/4	79	104757X	Cap - Hub, Front
35	102458X	Shaft, Steering	80	100644K	Bushing - Handle
36	12000034	Klip Ring	81	19111416	Washer 11 32 x 7 8 x 16 Ga.
37	100713N	Wheel, Steering	82	STD523710	*Bolt, Hex 3/8 - 16 x 1 Gr. 5
38	100711L	Adapter, Steering	83	100207K	Clip - 3:8
39	19133808	Washer	84	108367X	Decal - Adjustment
40	106014X	Sleeve, Steering	85	120199X	Tube
41	6266H	Bearing	86	120195X	Collar Weld Assy
42	105519X	Dash, Lower	87	110946X	Spindle Stop
43	108408X	Dash	88	120800X	Clamp, Hose
44	105525X	Bracket, Support, Dash	89	8022J	Dash Plug
45	19171416	Washer 17/32 x 7/8 x 16 Ga.			

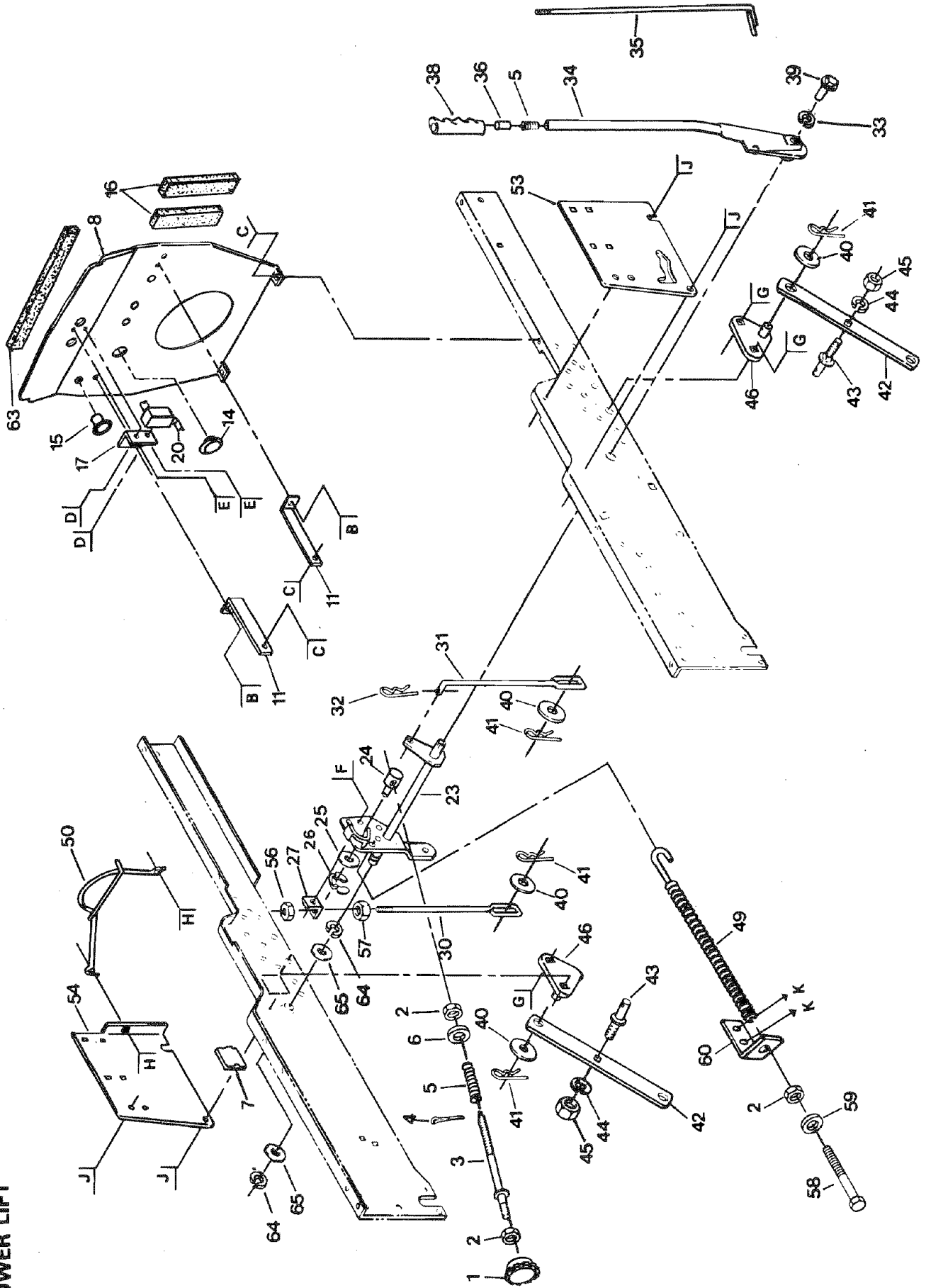
*STANDARD HARDWARE--PURCHASE LOCALLY



REPAIR PARTS

GT 18 TWIN GARDEN TRACTOR--MODEL NUMBER 917.255917

MOWER LIFT



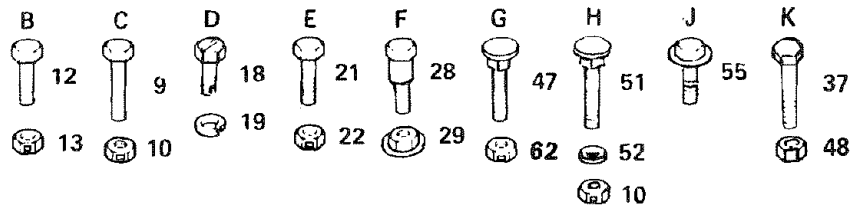
REPAIR PARTS

MOWER LIFT

GT 18 TWIN GARDEN TRACTOR--MODEL NUMBER 917.255917

KEY NO.	PART NO.	DESCRIPTION	KEY NO.	PART NO.	DESCRIPTION
1	100734K	Handle, Adjust, Lift	34	121002X	Lever Lift
2	110807X	Nut	35	121006X	Rod, Detent
3	110811X	Rod, Adjust, Lift	36	105723X	Plunger, Lever
4	STD570907	*Pin, Cotter, 3/32 x 3/4	37	STD523710	*Bolt - Hex 3/8 - 16 x 1
5	2876H	Spring	38	109413X	Grip, Handle
6	19131016	Washer 13/32 x 5/8 x 16 Ga.	39	74780616	Bolt, Hex, 3/8 - 16 x 1
7	105505X	Cover, Access			
8	110871X	Shield, Heat, Rear	40	STD551050	*Washer 17/32 x 1 - 1/16 x 13 Ga.
9	STD523107	*Bolt, Hex, 5/16 - 18 x 3/4	41	9135R	Retainer Spring
10	73680500	Nut, Lock, 5/16 - 18	42	105429X	Arm, Suspension
11	120350X	Brace, Heat Shield	43	105413X	Stud, Pivot Center
12	STD522505	*Bolt, Hex, 1/4 - 20 x 1/2 Gr. 5	44	STD551150	*Washer, Lock, 1/2
13	73680400	Nut, Lock, 1/4 - 20	45	STD541050	*Nut, Hex, 1/2 - 13
14	106351X	Plug	46	105501X	Bracket, Suspension, Mower
15	110436X	Grommet, Split	47	STD533707	*Bolt, Carriage, 3/8 - 16 x 3/4
16	105036X	Foam - Strip 6"	48	73680600	Nut, Lock, 3/8 - 16
17	105040X	Bracket, Fuel Pump	49	674A247	Spring - Ass'y. - Assist, Lift
18	74750806	Screw, Sl. Hex Hd. No. 8 - 32 x 3/8	50	105589X	Guard, Belt, Engine
19	STD551108	*Washer, Lock No. 8	51	STD533110	*Bolt, Carriage, 5/16 - 18 x 1
20	105041X	Pump, Fuel	52	19111610	Washer 11/32 x 1 x 10 Ga.
21	STD511005	*Screw, Hex Hd. No. 10 - 24 x 1/2	53	121045X	Panel, Pnt. Side, R.H.
22	73631000	Nut, Lock No. 10 - 24	54	121046X	Panel, Pnt. Side, L.H.
23	120137X	Shaft, Lift	55	17490608	Bolt, Hex Washer Thd. Rolling 3/8 - 16 x 1/2
24	110810X	Trunnion, Stop Depth	56	73800600	Nut, Lock, 3/8 - 16
25	19151216	Washer 15/32 x 3/4 x 16 Ga.	57	STD541037	*Nut, Hex 3/8 - 16
26	12000037	Klip Ring	58	5328J	Bolt - Adjust, Spring, Assist
27	7594J	Bracket, Lift, L.H.	59	STD551037	*Washer 13/32 x 13/16 x 16 Ga.
28	7901J	Bolt, Shoulder	60	5329J	Bracket, Spring - Assist
29	73900400	Nut, Hex Flange 1/4 - 20			
30	7596J	Link, Lift, L.H.	62	73930600	Nut - Centerlock 3/8 - 16
31	105503X	Link, Lift, R.H.	63	106086X	Strip - Foam
32	4939M	Retainer, Spring	64	12000022	Klip Ring
33	74760616	Washer, Lock 5/8	65	19292016	Washer 29/32 x 1 - 1/4 x 16 Ga.

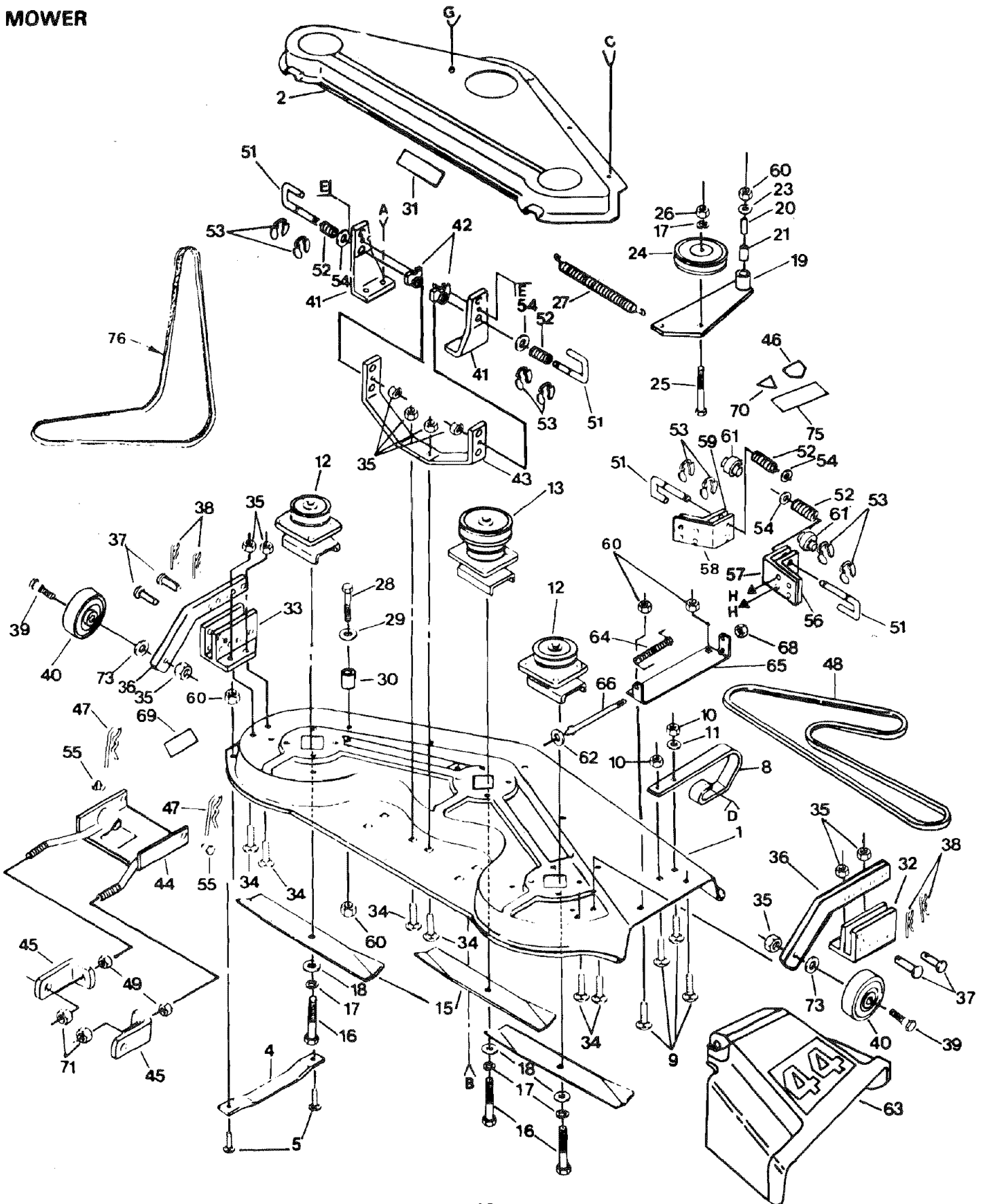
*STANDARD HARDWARE--PURCHASE LOCALLY



REPAIR PARTS

GT 18 TWIN GARDEN TRACTOR- -MODEL NUMBER 917.255917

MOWER



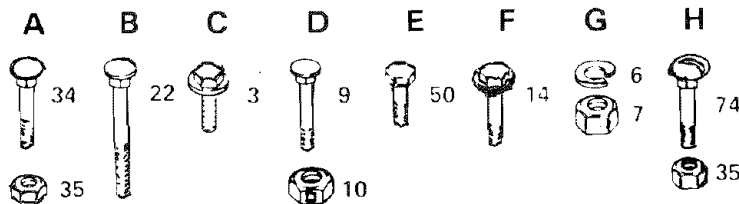
REPAIR PARTS

GT 18 TWIN GARDEN TRACTOR--MODEL NUMBER 917.255917

MOWER

KEY NO.	PART NO.	DESCRIPTION	KEY NO.	PART NO.	DESCRIPTION
1	105415X	Housing, Mower	36	105453X	Bar, Ga. Wheel
2	106022X	Cover - Drive, Deck	37	5565J	Pin, Clevis
3	17490508	Screw - Hex Washer Thd. Roll 5/16 - 18 x 1/2	38	4939M	Retainer, Spring
4	7631J	Runner, L.H.	39	4898H	Bolt, Shoulder
5	72110505	Bolt, Carr. 5/16 - 18 x 5/8	40	105455X	Wheel, Gauge
6	STD551131	*Washer - Lock, 5/16	41	105433X	Brkt., Suspension
7	STD541031	*Nut - Hex 5/16 - 18	42	110237X	Spacer
8	8418J	Runner, R.H.	43	105434X	Brace, Suspension
9	72140506	Bolt, Carr. 5/16 - 18 x 3/4	44	105436X	Parallel Link
10	1685H	Nut, Lock 5/16 - 18	45	105441X	Brkt., Suspension
11	STD551031	*Washer 11/32 x 11/16 x 16 Ga.	46	78850	Decal - Warning
12	106037X	Mandrel - Secondary	47	3146R	Retainer - Spring
13	106038X	Mandrel - Primary	48	106381X	V-Belt
14	17490612	Screw - Hex Washer Thd. Roll 3/8 - 16 x 3/4	49	STD541050	*Nut, 1/2 - 13
15	106635X	Blade	50	74760622	Bolt, Hex 3/8 - 16 x 1 - 3/8
16	STD623715	*Bolt - Hex, 3/8-24 x 1-1/2 Gr.5	51	105435X	Pin, Release
17	STD551137	*Washer - Lock, 3/8	52	3720R	Spring
18	19132012	Washer 13/32 x 1 - 1/4 x 12 Ga.	53	12000039	Ring, Clip
19	674A213	Arm Assembly, Idler	54	19171612	Washer 17/32 x 1 x 12 Ga.
20	7834J	Liner, Bearing	55	105440X	Pin, Clevis
21	7835J	Bearing	56	105458X	Brkt., Outer, R.H.
22	72110522	Bolt, Carriage 5/16 - 18 x 2 - 3/4	57	105460X	Brkt., Inner, R.H.
23	19111610	Washer 11/32 x 1 x 10 Ga.	58	105461X	Brkt., Inner, L.H.
24	102403X	Pulley, Idler	59	105459X	Brkt., Outer, L.H.
25	STD523715	*Bolt - Hex 3/8 - 16 x 1 - 1/2	60	73680500	Locknut 5/16 - 18
26	STD541037	*Nut - Hex 3/8 - 16	61	120135X	Spacer
27	104361X	Spring	62	19111016	Washer 11/32 x 5/8 x 16 Ga.
28	STD523112	*Bolt - Hex 5/16-18 x 1 1/4 Gr. 5	63	109785X	Shield, Deflector
29	19111216	Washer 11/32 x 3/4 x 16 Ga.	64	106734X	Spring, Deflector
30	8438J	Spacer	65	109743X	Bracket, Deflector
31	106224X	Decal - V-Belt, Dr., Schematic, Mower	66	106735X	Rod, Hinge
32	105448X	Bracket, Ga. Wheel, R.H.	68	110452X	Push Nut
33	105449X	Bracket, Ga. Wheel, L.H.	69	3713J	Instruction - Caution Decal
34	STD533707	*Bolt, Carriage 3/8 - 16 x 3/4	70	---	Decal - Safety Standard - Not Serviced
35	73680600	Nut, Crownlock 3/8 - 16	71	73680800	Nut - Hex 1/2 - 13
			73	19171512	Washer 17/32 x 15/16 x 12 Ga.
			74	72240608	Bolt, Carriage 3/8 - 16 x 1
			75	106679X	Decal - Warning
			76	110884X	V-Belt

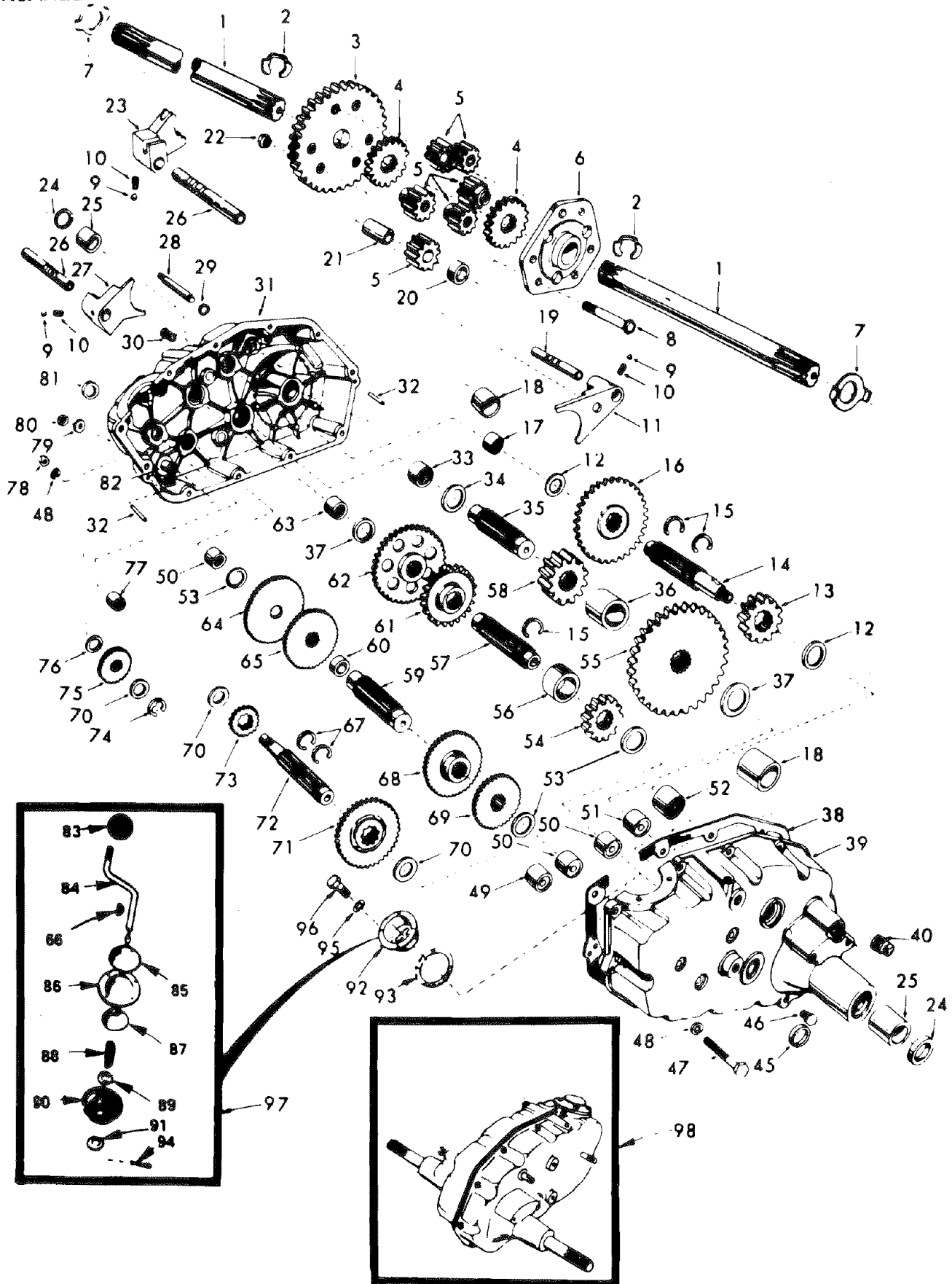
*STANDARD HARDWARE--PURCHASE LOCALLY



REPAIR PARTS

GT 18 TWIN GARDEN TRACTOR--MODEL NUMBER 917.255917

TRANSAXLE



REPAIR PARTS

GT 18 TWIN GARDEN TRACTOR- -MODEL NUMBER 917.255917

TRANSAXLE

KEY NO.	PART NO.	DESCRIPTION	KEY NO.	PART NO.	DESCRIPTION
1	4197R	Axle Shaft	49	4895H	Needle Bearing
2	5845R	Retaining Ring	50	4222R	Needle Bearing
3	4199R	Final Drive Gear	51	1529R	Needle Bearing
4	4216R	Differential Gear	52	8119M	Needle Bearing
5	4215R	Differential Pinion	53	4220R	Thrust Bearing Race
6	4217R	Differential Carrier	54	4209R	3rd Reduction Pinion - Low
7	6256H	Axle Thrust Washer	55	4213R	4th Reduction Gear
8	74020652	Hex Bolt 3/8 - 24 x 3 - 1/4 (1 1/2" Thread Length)	56	4442R	3rd Reduction Pinion Spacer
9	7392M	Steel Ball	57	4195R	2nd Reduction Gear Shaft
10	6272H	Spring Shift Fork Detent	58	4214R	Final Drive Pinion
11	4985R	Shift Fork, High - Low Range	59	4194R	1st Reduction Gear Shaft
12	6266H	Thrust Bearing	60	7528R	1st Reduction Shaft Spacer
13	4212R	4th Reduction Pinion	61	4208R	3rd Reduction Pinion - High
14	4196R	3rd Reduction Gear Shaft	62	4207R	2nd Reduction Gear
15	6276H	Snap Ring - Crescent Type	63	7398H	Needle Bearing
16	633A63	High - Low Range Gears	64	4203R	Low Speed Gear and 2nd Reduction Pinion Cluster
17	8118M	Needle Bearing	65	4204R	Reverse Gear
18	8740H1	Sintered Iron Bearing	66	2898J	Key - Hi - Pro 1/8 x 17/32
19	122238X	Shift Fork Shaft, High - Low Range	67	4926H	Snap Ring - Crescent Type
20	4218R	Differential Pinion Spacer	68	4205R	Intermediate Speed Gear
21	6252H1	Differential Pinion Bushing	69	4206R	High Speed Gear
22	7810H	Gripco Centerlock Nut 3/8 - 24	70	1370H	Thrust Washer
23	4986R	Shift Fork - L.H.	71	633A69	Intermediate and High Speed Cluster Pinions
24	7393R	Oil Seal	72	208J	Input Shaft
25	992R1	Sintered Iron Bearing	73	4201R	Low Speed Pinion
26	6216H	Shift Fork Shaft	74	12000002	E-Ring
27	6262H	Shift Fork - R.H.	75	1153R	Reverse Idler Gear
28	122254X	Shift Shaft, High - Low Range	76	7392H	Reverse Idler Thrust Washer
29	6269H	Oil Seal	77	3990H	Needle Bearing
30	5855H	Pressure Relief Valve	78	STD541031	*Hex Nut 5/16 - 18
31	105406X	Gearcase, Reverse Idler Shaft and Bearings - R.H. (Inc. Key No's. 17, 18, 25, 33, 50, 63, 76, 77 and 82)	79	1167R	Sealing Washer
32	6277H	Dowel Pin	80	73360700	Hex Jam Nut 7/16 - 20
33	4225R	Needle Bearing	81	6270H	Oil Seal
34	7396H	Thrust Bearing	82	7384H	Reverse Idler Shaft
35	4198R	4th Reduction Gear Shaft	83	100196K	Control Knob
36	4200R	4th Reduction Gear Spacer	84	5384J	Gear Shift Lever - Bent
37	7395H	Thrust Bearing Race	85	2978J	Gear Shift Cap
38	6275H	Gearcase Gasket	86	633A85	Gear Shift Ball Cover and Pin
39	105402X	Gearcase and Bearings - L.H. (Inc. Key No's. 18, 25, 49, 50 (2), 51 and 52)	87	8739H1	Shift Lever Guide Ball - Keyed
40	13060400	Pipe Plug 1/2 - 14 N.P.T.	88	4924H	Spring
45	6271H	Oil Seal	89	19151516	Washer 15/32 x 15/16 x 16 Ga.
46	13020200	Pipe Plug 1/4 - 18 N.P.T.	90	8105R	Shift Mechanism Seal
47	STD523115	*Hex Bolt 5/16 - 18 x 1 - 1/2 Grade 5	91	19181511	Washer 9/16 x 15/16 x 11 Ga.
48	10140500	Lockwasher 5/16 Extra Heavy	92	75J	Gear Shift Gate and Reinforcement
			93	6274H	Shift Ball Cover Gasket
			94	76020412	Cotter 1/8 x 3/4
			95	STD551131	*Lockwasher 5/16
			96	STD523108	*Hex Bolt 5/16 - 18 UNC x 7/8
			97	633A109	Gear Shift Lever Ass'y.
			98	122286X	Transaxle Assembly (Service)

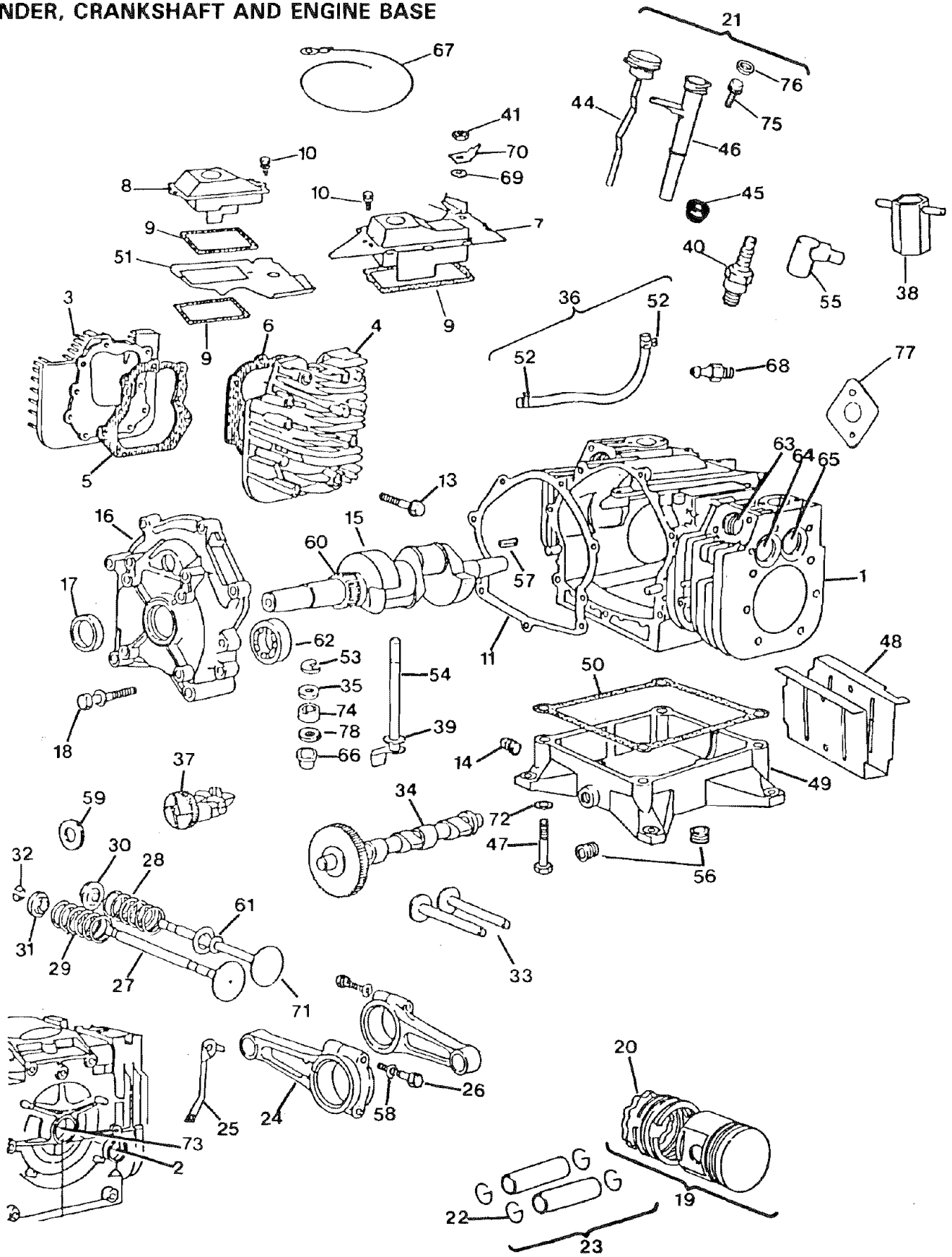
*STANDARD HARDWARE--PURCHASE LOCALLY

REPAIR PARTS

GT 18 TWIN GARDEN TRACTOR--MODEL NUMBER 917.255917

ENGINE BRIGGS & STRATTON--MODEL NUMBER 422437, TYPE NUMBER 1209-01

CYLINDER, CRANKSHAFT AND ENGINE BASE



REPAIR PARTS

GT 18 TWIN GARDEN TRACTOR--MODEL NUMBER 917.255917 ENGINE BRIGGS & STRATTON--MODEL NUMBER 422437, TYPE NUMBER 1209-01 CYLINDER, CRANKSHAFT AND ENGINE BASE GROUP

KEY NO.	PART NO.	DESCRIPTION	KEY NO.	PART NO.	DESCRIPTION
01	491685	Cylinder Assembly	34	212337	Gear-Cam
02	391086	Seal-Oil	35	491287	Foam Seal - Governor Shaft
03	212461	Head-Cylinder No. 1	36	296004	Pipe - Fuel 23" cut to length
04	212462	Head-Cylinder No. 2	37	394348	Gear - Governor
05	271867	Gasket-Cylinder Head No. 1	38	89838	Wrench-Spark Plug
06	271868	Gasket-Cylinder Head No. 2	39	220863	Washer-Gov. Crank (inside)
07	393243	Breather Assembly No. 1	40	394539	Plug-Spark (Resistor) 2-3/8 high-60mm)
08	393153	Breather Assembly No. 2			
09	27803	Gasket-Valve Cover	41	90576	Nut-Hex 8-32
10	94382	Screw-Sem			
11	270982	Gasket-Crankcase Cover 1/64" Thick	44	398924	Cap and Dipstick-Oil Filter
11	271145	Gasket-Crankcase Cover .005" Thick	45	68838	Seal-Filler Tube
11	271146	Gasket-Crankcase Cover .009" Thick	46	280220	Tube - Oil Filter
13	93211	Screw-Cylinder Head (2-21/32" long)	47	93783	Screw-Hex Hd.
14	91084	Plug-Oil Drain	48	223055	Trough-Dipper
15	394430	Crankshaft - order part 94196 Key for retaining timing gear	49	394391	Base-Engine
16	394535	Cover Assembly - Crankcase	50	270981	Gasket-Engine Base
17	291675	Seal-Oil	51	222700	Guide Air
18	93847	Screw-Crankcase cover Mtg. Sem	52	93053	Clamp-Fuel Pipe
19	394955	Piston Assembly-Standard Inc. Key No.'s 20 & 22)	53	94296	Retainer-E-Ring
19	394956	Piston Assembly - .010" O.S.	54	491530	Crank-Governor
19	394957	Piston Assembly - .020" O.S.	55	66538	Elbow-Spark Plug
19	394958	Piston Assembly - .030" O.S.	56	93448	Plug-Hex Socket
20	394959	Ring Set - Piston - Standard	57	222698	Key-Flywheel
20	394960	Ring Set - Piston - .010" O.S.	58	220863	Washer
20	394961	Ring Set - Piston - .020" O.S.	59	222773	Washer-Thrust
20	394962	Ring Set - Piston - .030" O.S.	60	231445	Gear-Timing
21	398990	Dipstick and Tube Assembly (Inc. Key No's. 44, 45 & 46)	61	393606	Seal Ass'y. and Retainer
22	260924	Lock-Piston Pin	62	393741	Bearing-Ball (P.T.O. side)
23	299691	Pin Assembly - Piston Standard (Inc. Key No. 22)	63	261961	Guide-Exhaust Valve NOTE: 231218 Intake Valve Guide Only (Brass)
23	391286	Pin - Assembly-Piston-.005" O.S.	64	210940	Seat-Exhaust Valve (Standard)
24	394306	Rod Assembly-Connecting For Connecting Rod with .020" Crankpin bore order No. 397158	65	261463	Seat-Intake Valve (Standard)
25	223053	Dipper-Connecting Rod	66	262332	Lower Bushing - Gov.
26	92909	Screw-Connecting Rod	67	398808	Wire-Ground
27	390420	Valve-Exhaust	68	230318	Connector-Fuel Pipe
28	65906	Spring-Intake Valve	69	92791	Washer-Lock Shakeproof
29	26828	Spring-Exhaust Valve	70	93722	Terminal-Spade
30	221596	Retainer-Intake Valve	71	261528	Valve-Intake
31	292260	Rotocoil-Exhaust	72	92268	Washer
32	93630	Retainer-Exhaust Valve Roto-Cap	73	491523	Bearing-Cylinder
33	261368	Tappet-Valve	74	262331	Upper Bushing-Governor
			75	93886	Screw
			76	271170	Seal Tube
			77	271174	Gasket - Exhaust
			78	223882	Washer - Gov. Shaft

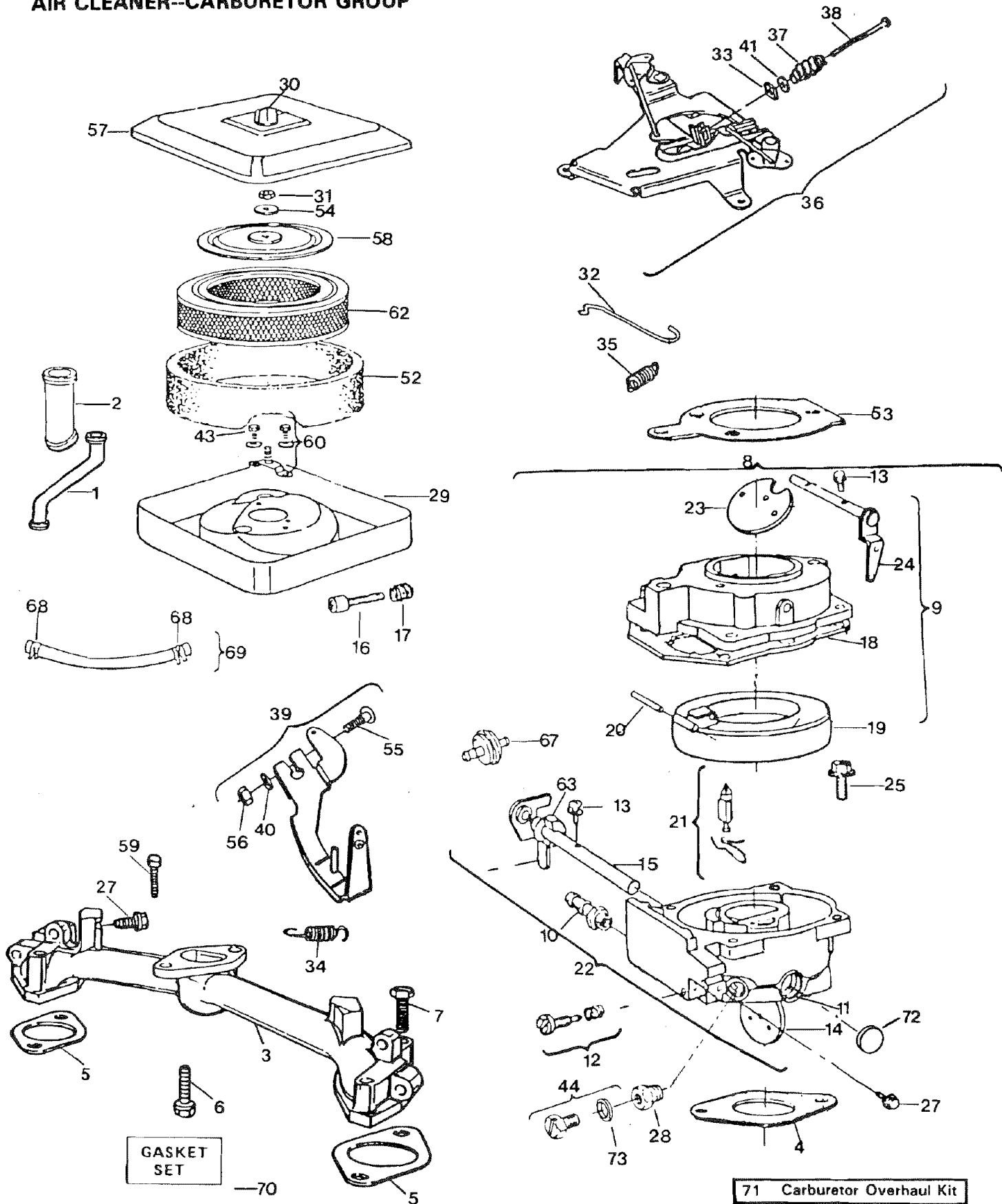
*INCLUDED IN GASKET SET 394501
+ SPECIAL TOOLS REQUIRED TO INSTALL

REPAIR PARTS

GT 18 TWIN GARDEN TRACTOR--MODEL NUMBER 917.255917

ENGINE BRIGGS & STRATTON--MODEL NUMBER 422437, TYPE NUMBER 1209-01

AIR CLEANER--CARBURETOR GROUP



REPAIR PARTS

GT 18 TWIN GARDEN TRACTOR--MODEL NUMBER 917.255917 ENGINE--MODEL NUMBER 422437, TYPE NUMBER 1209-01 AIR CLEANER--CARBURETOR GROUP

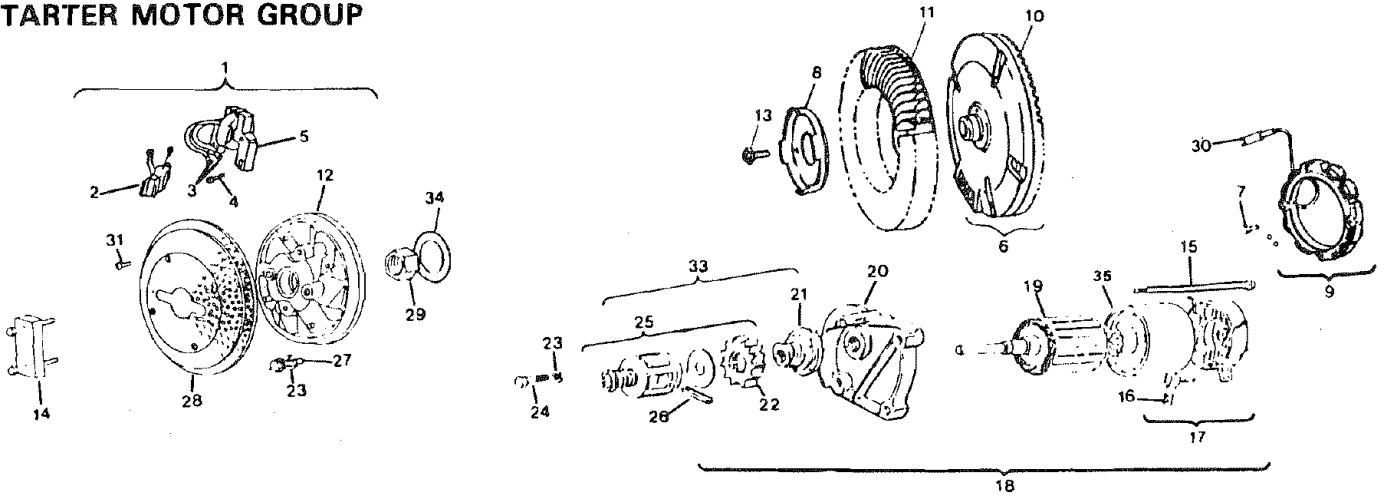
KEY NO.	PART NO.	DESCRIPTION	KEY NO.	PART NO.	DESCRIPTION
1	280819	Tube-Breather	31	93715	Nut-Hex
2	280198	Tube-Intake	32	262333	Link Governor
3	213288	Manifold Ass'y. Intake	33	94298	Nut-Square
4	271412	+ *Gasket-Carb. Mtg.	34	262351	Spring-Governor
5	270884	Gasket-Intake Manifold Mtg.	35	251563	Spring - Governor Idle
6	93415	Screw Carb. MTG. Sem	36	491282	Bracket-Speed Control
7	94367	Screw Intake Manifold Mtg. Sem	37	262337	Spring-Compression
8	491630	Carburetor Ass'y. (Inc. Key No's 9, 10, 11, 12, 13, 14, 15, 16, 17, 18, 19, 20, 21, 22, 23, 24, 25, 28, 44, 46, 47, 48, 49, 50, 51, 61, 63, 64 & 65	38	94297	Screw Pan Head
			39	491298	Lever Ass'y. Governor (Inc. Key No's. 40, 55 & 56)
9	491541	Body Assembly - Upper Carburetor (Inc. Key No's. 10, 13, 18, 23 & 24)	40	222289	Washer
			41	223882	Washer
			43	93893	Screw-Sem
			44	397882	Plug (Inc. Key No. 73)
10	230318	Connector - Fuel	52	271271	Element-Air Cleaner
11	231209	Bushing-Throttle Shaft	53	271411	+ Gasket-Air Cleaner
12	491538	+ Valve Ass'y.-Carb. Idle	54	271180	Washer
13	93499	Screw-Throttle and Choke Valve Mtg. Sem	55	93853	Bolt-Governor Lever
			56	92278	Nut-Hex
14	221939	Valve-Throttle	57	223001	Cover-Air Cleaner
15	392672	Shaft and Lever-Throttle	58	222835	Cartridge Plate-Air Cleaner
16	91920	Screw-Mach. Fil Hd. 8-32 x 5/8	59	93868	Screw-Sem
17	26157	Spring - Throttle Adj.	60	392643	Mounting Strap Ass'y. Air Cleaner (Inc. Key No. 43)
18	271607	+ *Gasket-Carburetor Body	62	394018	Cartridge-Air Cleaner
19	298514	Float-Carburetor Body	63	271013	+ Washer-Choke Shaft
20	230896	+ Pin-Float Hinge	67	394358	Filter-Fuel
21	394681	+ Valve-Fuel Inlet	68	93053	Clamp-Fuel Pipe
22	491665	Body - Lower Carburetor (Inc. Key No's. 11, 13, 14, 15 & 65)	69	393815	Fuel-Line (cut to required length)
23	223534	Valve-Choke	70	394501	Gasket Set
24	392673	Shaft and Lever-Choke	71	491539	Carburetor Overhaul Kit
25	94152	Screw-Hex Head Sem 10/32 x 3/4	72	223472	Plug - Welch
27	93897	Screw-Casing Clamp	73	280474	O-Ring Seal
28	231338	°Jet-Needle Valve			
29	222752	Body-Air Cleaner			
30	212706	Knob-Air Cleaner			

*INCLUDED IN GASKET SET
+ INCLUDED IN CARBURETOR OVERHAUL KIT
°For high altitude - use jet # 231333

REPAIR PARTS

GT 18 TWIN GARDEN TRACTOR--MODEL NUMBER 917.255917
 ENGINE BRIGGS AND STRATTON--MODEL NUMBER 422437, TYPE NUMBER 1209-01

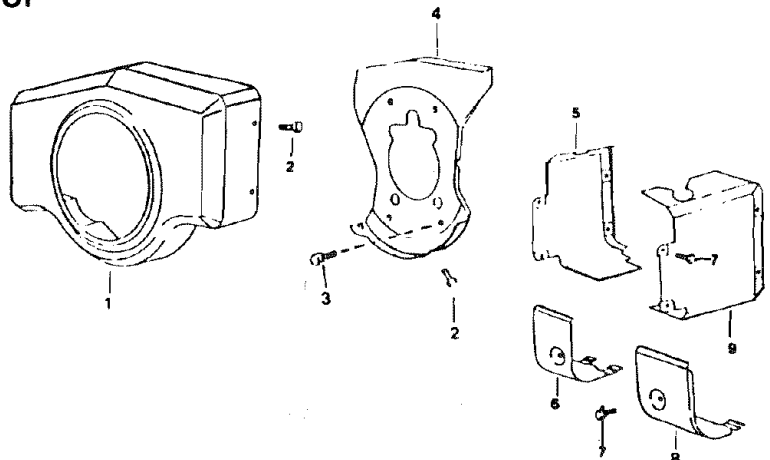
STARTER MOTOR GROUP



KEY NO.	PART NO.	DESCRIPTION	KEY NO.	PART NO.	DESCRIPTION
1	394891	Armature Group (Inc. Key No's. 2, 3 & 5)	18	394808	Motor - Starting (Inc. Key No's. 13, 15, 16, 17, 19, 20, 21, 22, 23 & 24)
2	394970	Trigger Coil Assembly Magnatron Ignition	19	390837	Amature Assembly (Motor)
3	221798	Terminal - Ignition Cable	20	394860	Drive End Cap Ass'y. - Starter
4	93381	Screw - Armature Mtg. Sem	21	398003	Clutch Ass'y.
5	394988	Armature Ass'y.	22	280104	Gear
6	491180	Flywheel and Ring Gear Ass'y. - Magneto	23	90366	Lockwasher
7	93621	Screw - Sem	24	91162	Screw - Hex Hd. - 5/16 - 18 x 1 - 1/2"
8	223726	Retainer-Fan	25	393254	Kit - Pinion Spring (Inc. Key No's. 22 & 26)
9	392595	Stator - Alternator	26	94192	Roll Pin
10	391362	Gear - Flywheel Ring (Includes Mounting Parts)	27	94385	Screw - Hex Hd.
11	280815	Fan - Flywheel	28	223008	Screen - Rotating
12	213472	Fan - Booster	29	230674	Nut - Hex
13	93535	Screw-Sem	30	393537	Connector - Tri Circuit
14	19203	Puller - Flywheel (Optional Accessory)	31	93808	Screw-Sem
15	94003	Thru Bolt	33	396865	Starter Drive Group (Inc. Key No's. 21, 22, 25 & 26)
16	395538	Brush Set	34	222511	Washer - Spring
17	395537	Commutator End Cap Ass'y - Starter (Inc. Key No. 16)	35	393825	Housing Assembly

MUFFLER, AIR GUIDE AND HOUSING GROUP

KEY NO.	PART NO.	DESCRIPTION
1	491243	Housing-Blower
2	93158	Screw - Sem
3	93777	Screw - Hex H.
4	491444	Back Plate Assembly
5	222848	Cover - Air Guide
6	222846	Shield - Cylinder
7	93163	Screw - Sem
8	223734	Shield - Cylinder
9	222849	Cover - Air Guide



Attachments That Add to the Usefulness of Your Craftsman Garden Tractor

Sears offers a wide variety of attachments that fit your tractor. Many of these are listed below with brief explanations of how they can help you. This list was current at the time of publication; however, it may change in future years — more attachments may be added, changes (including changes in the stock number) may be made in these attachments, or some may no longer be available.

Most of these attachments do not require additional hitches or conversion kits (those that do are indicated) and are designed for easy attaching and detaching. You may order these attachments at most Sears retail stores, catalog sales offices, and through the catalog.

LAWN SWEEPERS let you collect grass clippings and leaves.

Stock No.	Path	Capacity
71-24030	30-in.	6.5 cu. ft.
71-24032	32-in.	10.0 cu. ft.
71-24038	38-in.	12.5 cu. ft.

LAWN VACS for powerful collection of heavy grass clippings and leaves. All accept optional wand attachment to pick up debris in hard-to-reach places.

Stock No.	Engine	Capacity	Also Required
71-2455	3HP	8 bu.	71-24474 chute
71-2452	3HP	12 bu.	71-24474 chute
71-2452	5HP	25 bu.	71-24474 chute 10 cu. ft. cart

CARTS make hauling easy.

Stock No.	Size	Capacity	
71-24354	10 cu. ft.	1,000 lb.	Hauling cart
71-24355	10 cu. ft.	1,000 lb.	Dump cart
71-24356	14 cu. ft.	1,250 lb.	Dump cart
71-24358	18 cu. ft.	1,500 lb.	Dump cart

ROLLER for smoother lawn surface. 36-inch wide, 18 inch diameter water-tight drum holds up to 390 lb. of weight. Rounded edges prevent harm to turf. Adjustable scraper automatically cleans drum. Stock No. 71-24084.

SPREADER/SEEDERS make seeding, fertilizing, and weed killing easy. Broadcast spreaders are also useful for granular de-icers and sand.

71-24194	Drop type, 36 inch. 12-in. semi-pneumatic wheels. 100 lb. capacity steel hopper.
71-24394	Broadcasts over a 5 to 8 foot swath. 70 lb. capacity steel hopper. Non-corrosive spreading spinner, nylon gear box, stainless steel shaft.
71-24395	Broadcasts 8 to 10 foot swath. 160 lb. capacity (covers 40,000 sq. ft.) No-rust polypropylene hopper and impeller. Vinyl hopper cover.
71-2416	Broadcasts 6 to 8 foot swath. 50 lb. capacity. Corrosion-resistant construction. Polyethylene hopper.

AERATOR promotes deep root growth for a healthy lawn. Tapered 2.5" steel spikes mounted on 10-in. diameter discs puncture holes in soil at close intervals to let moisture soak it. Steel weight box for increased penetration. Stock No. 71-2435.

CORING AERATOR takes small plugs out of soil to allow moisture and nutrients to reach grass roots. 36-inch swath. 24 hardened steel coring tips. 150 lb. capacity weight tray. Stock No. 71-24351.

DETHATCHER loosens and flips thatch and matted leaves to lawn surface for easy pick up. Useful to prepare bare areas for reseeding and for seed bed preparation after tilling.

71-24303	Two rows of five double tooth spring tines dethatch 36-inch swath. Rear mount.
71-24301	Ten spring steel tines each with two "teeth" de thatch 30 inch path. Front mount.

SPRAYERS use 12-volt DC electric motor that connects to tractor battery or other 12 volt source. Includes booms for automatic spraying when pulling, and hand held wand for spot spraying. Wand has adjustable spray pattern. For applying herbicides, insecticides, fungicides, and liquid fertilizers.

71-2458	50 psi maximum pressure with 20 foot wand length
71-24398	25 psi maximum pressure with 10 foot wand length

DOZER BLADE removes snow; grades dirt, sand and gravel. 48 inches wide, 17 inches high, clears 44 inch path when angled. Master lift control lever for operator ease. Spring trip for snow removal on uneven pavement; built-in float for blade to follow ground contour. Reversible, replaceable scraper bar. (Use with tire chains, wheel weights or rear drawbar weight). Stock No. 71-24402

SNOWTHROWER has 40-inch swath. Drum-type auger handles powdery and wet/heavy snow. Mounts easily with simple pin arrangement. Discharge chute adjusts to 240 degree arc from tractor seat. 6-inch diameter spout dis-

charges snow 10 to 50 ft. Lift controlled at tractor seat. (Use with tire chains, wheel weights or rear drawbar weight). Stock No. 71-24071

TIRE CHAINS are heavy duty; closely spaced extra-large cross links give smooth ride, outstanding traction. Stock No. 71- 26946

WHEEL WEIGHTS provide stability, reduce tearing of turf when moving on hills, stopping, turning, starting. Provides extra weight for traction to pull low-loads, lawn vac. Required for snow removal. For plowing: one in front frame, one in right rear tire, two on left rear tire. For snowblower or dozer blade: one on right rear tire, one on left rear tire. 55 pounds. Stock No. 71-26234. (Front or rear mounting frame bracket Stock No. 71-26235.)

TRACTOR CAB has heavy-duty vinyl fabric over tubular steel frame, fiberglass top; clear plastic windshield offers 360 degree visibility. Hinged metal frame doors with catch. Keeps operator warm and dry. Remove vinyl and windshield for use as sun protector in summer. Stock No. 71- 24173

Optional accessories for tractor cab: tinted/tempered solid safety glass windshield with hand-operated wiper (Stock No. 71-26168); 12- volt amber flashing caution light for mounting on cab top (Stock No. 71-26169).

*TILLER has 8HP engine to prepare seed beds, cultivate and compost garden residue. Chain-drive transmission. Six 11-in. dia., one-piece heat-treated steel tines. Tills 30-inch path. (Requires sleeve hitch Stock No. 71-25231.) Stock No. 71-25249.

*PLOW turns soil 6 inches deep, cuts 10-inch furrow. Crank adjustment controls depth, 3-position yoke sets width. Heavy steel landslide for straight furrowing. Stock No. 71-24233.

*DISC HARROW has 2 gangs of 4 steel blades that angle from 10 to 20 degrees 40 inches wide. Can hook 2 units in tandem. Stock No. 71-24234.

REAR GRADER/LEVELER BLADE is 42-inches wide Operated from driver's seat. Reversible steel blade can be angled at 30 degrees for grading. Reverses for snow plowing. Stock No. 71-24239.

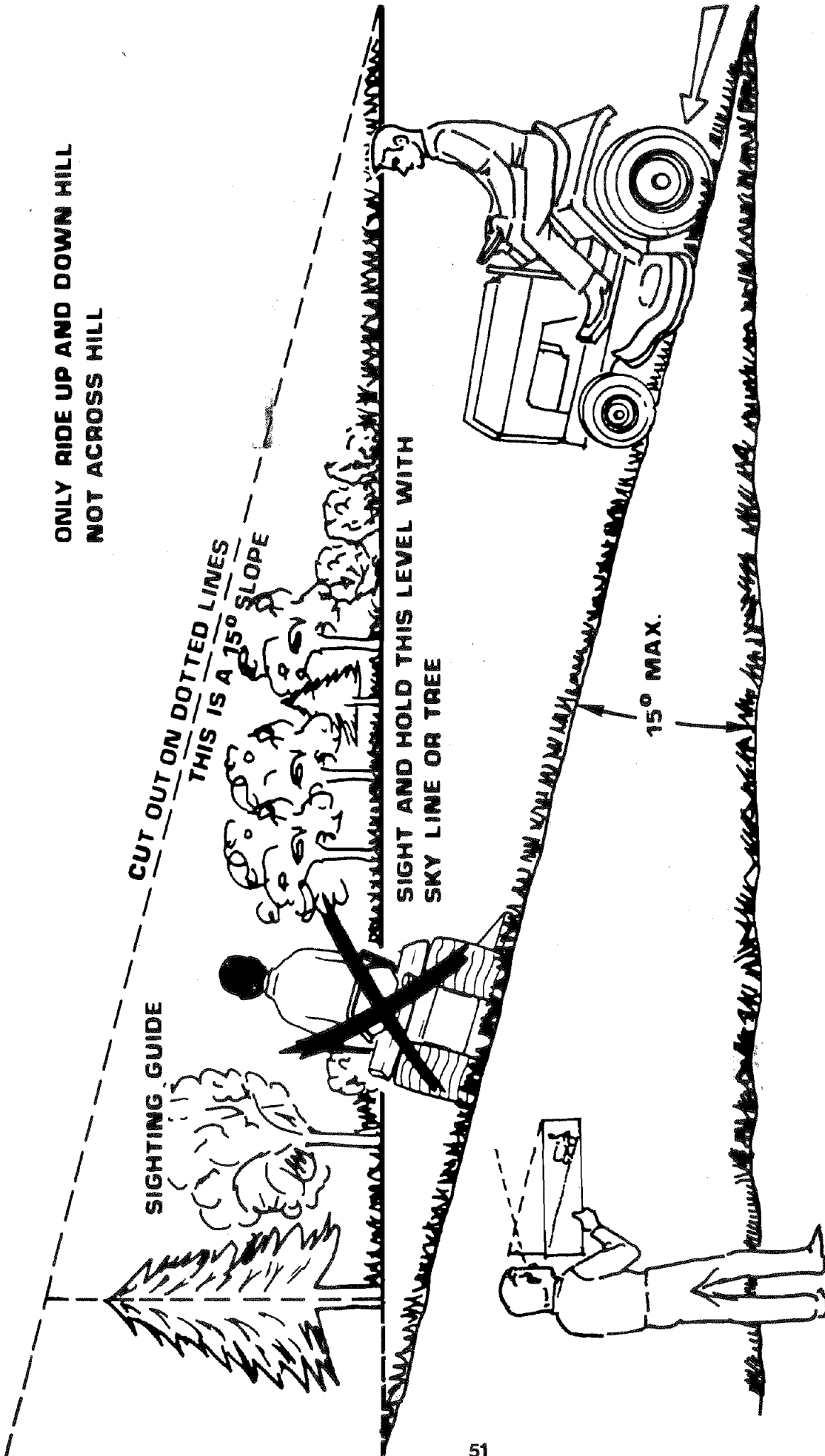
*SLEEVE CULTIVATOR is 43-inches wide. Prepares ground for seeding, helps weed control. Steel frame holds 5 adjustable sweeps. Adjusts vertically, horizontally, Stock No. 71-25304. Optional accessory for cultivator: steel furrow opener for wide openings for potatoes, corn, other deep-seeded crops (Stock No. 71-25305).

ELECTRICAL ASSIST KIT mounts to master lift. Raises and lowers front, mid and rear mount attachments with flip of switch. Stock No. 71-25242.

*Asterisked attachments require sleeve hitch (Stock No. 71-25231) for use with master lift system Single pin couples/ uncouples.

SUGGESTED GUIDE FOR SIGHTING SLOPES FOR SAFE OPERATION

ONLY RIDE UP AND DOWN HILL
NOT ACROSS HILL



Operate your Tractor up and down the face of slopes (not greater than 15°), never across the face. Make turns gradually to prevent tipping or loss of control. Exercise extreme caution when changing direction on slopes.



SEARS

**OWNERS
MANUAL**

**MODEL NO.
917.255917**

**HOW TO ORDER
REPAIR PARTS**

**CRAFTSMAN
GT 18HP TWIN
6 SPEED - 44" MOWER
GARDEN TRACTOR**

The Model Number will be found on the Model Plate located under the seat. Always provide the Model Number when requesting service or repair parts for your Garden Tractor.

All parts listed herein may be ordered from any Sears Service Center/Departments and most Sears Stores.

WHEN ORDERING REPAIR PARTS, ALWAYS GIVE THE FOLLOWING INFORMATION:

- THE PART NUMBER
- THE PART DESCRIPTION
- THE MODEL NUMBER
- THE NAME OF MERCHANDISE

Your Sears merchandise has added value when you consider Sears has service units nationwide staffed with Sears trained technicians having the parts, tools and the equipment to insure that we meet our pledge to you, "We Service What We Sell".