



# ULTRA WASH® Dishwasher

Use & Care Guide

# Lavavajillas ULTRA WASH®

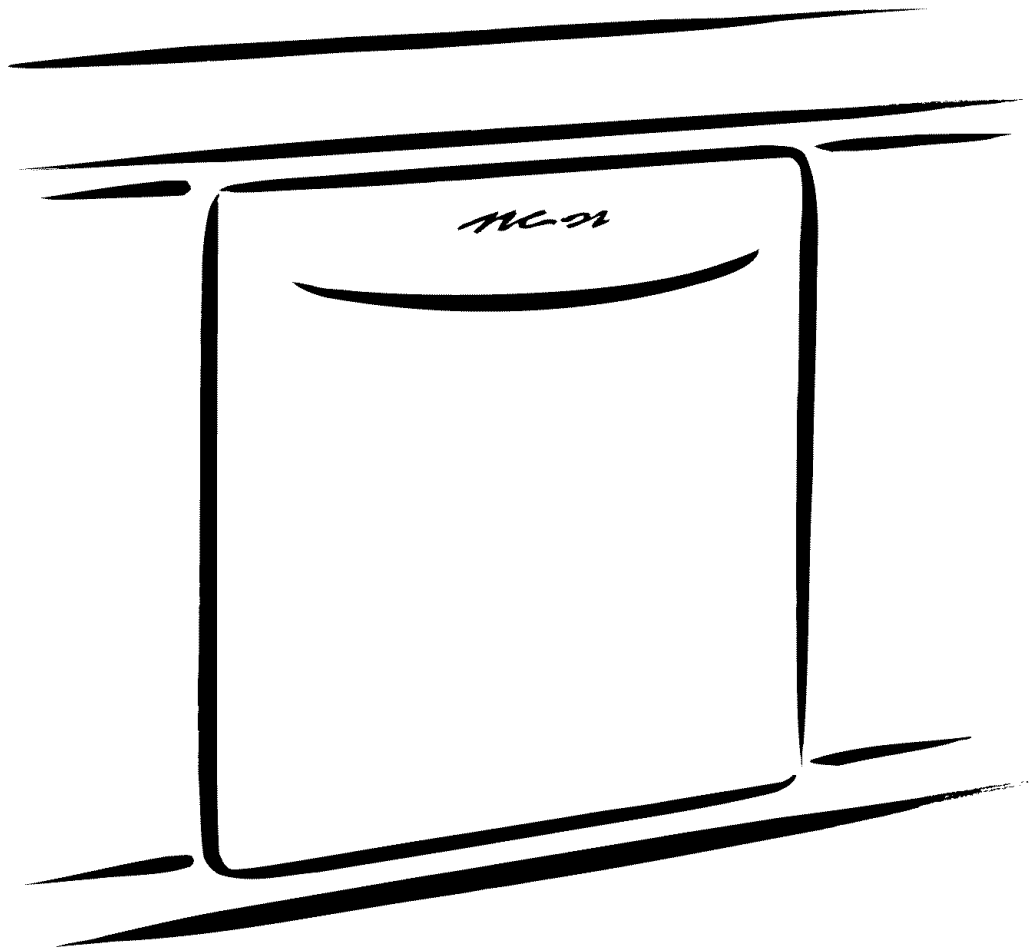
Manual de uso y cuidado

# Lave-vaisselle ULTRA WASH®

Guide d'utilisation et d'entretien

Models/Modelos/Modèles 665.1357\*, 665.1358\*, 665.7792\*

\* = color number, número de color, numéro de couleur



ENGLISH ESPAÑOL FRANÇAIS

# TABLE OF CONTENTS

|                                      |            |
|--------------------------------------|------------|
| PROTECTION AGREEMENTS.....           | 2          |
| WARRANTY.....                        | 3          |
| DISHWASHER SAFETY.....               | 4          |
| Before Using Your Dishwasher.....    | 5          |
| PARTS AND FEATURES.....              | 6          |
| ULTRA WASH® Soil Removal System..... | 7          |
| Featuring smartwash™ Wash Cycle..... | 7          |
| START-UP GUIDE.....                  | 7          |
| Using Your New Dishwasher.....       | 7          |
| DISHWASHER LOADING.....              | 8          |
| Loading Suggestions.....             | 8          |
| Loading Top Rack.....                | 8          |
| Loading Bottom Rack.....             | 9          |
| Loading Silverware Basket.....       | 9          |
| DISHWASHER USE.....                  | 10         |
| Detergent Dispenser.....             | 10         |
| Rinse Aid Dispenser.....             | 11         |
| Dishwasher Efficiency Tips.....      | 11         |
| Cycle Selection Charts.....          | 12         |
| Canceling a Cycle.....               | 13         |
| Changing a Cycle or Setting.....     | 13         |
| Adding Items During a Cycle.....     | 13         |
| Option Selections.....               | 13         |
| Cycle Status Indicators.....         | 14         |
| Vent.....                            | 14         |
| Overfill Protection Float.....       | 14         |
| WASHING SPECIAL ITEMS.....           | 15         |
| DISHWASHER CARE.....                 | 16         |
| Cleaning.....                        | 16         |
| Drain Air Gap.....                   | 16         |
| Storing.....                         | 16         |
| TROUBLESHOOTING.....                 | 17         |
| SERVICE NUMBERS.....                 | BACK COVER |

# PROTECTION AGREEMENTS

## Master Protection Agreements

*Congratulations on making a smart purchase.* Your new Kenmore® product is designed and manufactured for years of dependable operation. But like all products, it may require preventive maintenance or repair from time to time. That's when having a Master Protection Agreement can save you money and aggravation.

The Master Protection Agreement also helps extend the life of your new product. Here's what the Agreement\* includes:

- ✓ **Parts and labor** needed to help keep products operating properly **under normal use**, not just defects. Our coverage goes **well beyond the product warranty**. No deductibles, no functional failure excluded from coverage— **real protection**.
- ✓ **Expert service** by a force of more than 10,000 authorized **Sears service technicians**, which means someone you can trust will be working on your product.
- ✓ **Unlimited service calls and nationwide service**, as often as you want us, whenever you want us.
- ✓ **"No-lemon" guarantee** – replacement of your covered product if four or more product failures occur within twelve months.
- ✓ **Product replacement** if your covered product can't be fixed.
- ✓ **Annual Preventive Maintenance Check** at your request – no extra charge.
- ✓ **Fast help by phone** – we call it **Rapid Resolution** – phone support from a Sears representative on all products. Think of us as a "talking owner's manual."
- ✓ **Power surge protection** against electrical damage due to power fluctuations.
- ✓ **\$250 Food Loss Protection** annually for any food spoilage that is the result of mechanical failure of any covered refrigerator or freezer.
- ✓ **Rental reimbursement** if repair of your covered product takes longer than promised.
- ✓ **10% discount** off the regular price of any non-covered repair service and related installed parts.

Once you purchase the Agreement, a simple phone call is all that it takes for you to schedule service. You can call anytime day or night, or schedule a service appointment online.

The Master Protection Agreement is a risk free purchase. If you cancel for any reason during the product warranty period, we will provide a full refund. Or, a prorated refund anytime after the product warranty period expires. Purchase your Master Protection Agreement today!

**Some limitations and exclusions apply. For prices and additional information in the U.S.A. call 1-800-827-6655.**

**\*Coverage in Canada varies on some items. For full details call Sears Canada at 1-800-361-6665.**

## Sears Installation Service

For Sears professional installation of home appliances, garage door openers, water heaters, and other major home items, in the U.S.A. or Canada call **1-800-4-MY-HOME®**.

# KENMORE APPLIANCE WARRANTY

## ONE YEAR LIMITED WARRANTY

When installed, operated and maintained according to all instructions supplied with the product, if this appliance fails due to a defect in material or workmanship within one year from the date of purchase, call 1-800-4-MY-HOME® to arrange for free repair.

If this appliance is used for other than private family purposes, this warranty applies for only 90 days from the date of purchase.

## THIS WARRANTY COVERS ONLY DEFECTS IN MATERIAL AND WORKMANSHIP. SEARS WILL NOT PAY FOR:

1. Expendable items that can wear out from normal use, including but not limited to filters, belts, light bulbs, and bags.
2. A service technician to instruct the user in correct product installation, operation or maintenance.
3. A service technician to clean or maintain this product.
4. Damage to or failure of this product if it is not installed, operated or maintained according to all instructions supplied with the product.
5. Damage to or failure of this product resulting from accident, abuse, misuse or use for other than its intended purpose.
6. Damage to or failure of this product caused by the use of detergents, cleaners, chemicals or utensils other than those recommended in all instructions supplied with the product.
7. Damage to or failure of parts or systems resulting from unauthorized modifications made to this product.

## DISCLAIMER OF IMPLIED WARRANTIES; LIMITATION OF REMEDIES

Customer's sole and exclusive remedy under this limited warranty shall be product repair as provided herein. Implied warranties, including warranties of merchantability or fitness for a particular purpose, are limited to one year or the shortest period allowed by law. Sears shall not be liable for incidental or consequential damages. Some states and provinces do not allow the exclusion or limitation of incidental or consequential damages, or limitations on the duration of implied warranties of merchantability or fitness, so these exclusions or limitations may not apply to you.

This warranty applies only while this appliance is used in the United States and Canada.

This warranty gives you specific legal rights, and you may also have other rights which vary from state to state.

**Sears, Roebuck and Co.**  
Dept. 817WA, Hoffman Estates, IL 60179  
**Sears Canada Inc.**  
Toronto, Ontario, Canada M5B 2B8

## PRODUCT RECORD

In the space below, record your complete model number, serial number, and purchase date. You can find this information on the model and serial number label located on the product.

Have this information available to help you obtain assistance or service more quickly whenever you contact Sears concerning your appliance.

Model number \_\_\_\_\_

Serial number \_\_\_\_\_

Purchase date \_\_\_\_\_

**Save these instructions and your sales receipt for future reference.**

ENGLISH

# DISHWASHER SAFETY

## Your safety and the safety of others are very important.

We have provided many important safety messages in this manual and on your appliance. Always read and obey all safety messages.



This is the safety alert symbol.

This symbol alerts you to potential hazards that can kill or hurt you and others.

All safety messages will follow the safety alert symbol and either the word "DANGER" or "WARNING."

These words mean:

**⚠ DANGER**

You can be killed or seriously injured if you don't immediately follow instructions.

**⚠ WARNING**

You can be killed or seriously injured if you don't follow instructions.

All safety messages will tell you what the potential hazard is, tell you how to reduce the chance of injury, and tell you what can happen if the instructions are not followed.

## IMPORTANT SAFETY INSTRUCTIONS

**WARNING:** When using the dishwasher, follow basic precautions, including the following:

- Read all instructions before using the dishwasher.
- Use the dishwasher only for its intended function.
- Use only detergents or rinse agents recommended for use in a dishwasher, and keep them out of the reach of children.
- When loading items to be washed:
  - 1) Locate sharp items so that they are not likely to damage the door seal; and
  - 2) Load sharp knives with the handles up to reduce the risk of cut-type injuries.
- Do not wash plastic items unless they are marked "dishwasher safe" or the equivalent. For plastic items not so marked, check the manufacturer's recommendations.
- Do not touch the heating element during or immediately after use.
- Do not operate the dishwasher unless all enclosure panels are properly in place.
- Do not tamper with controls.
- Do not abuse, sit on, or stand on the door, lid, or dish racks of the dishwasher.
- To reduce the risk of injury, do not allow children to play in or on the dishwasher.
- Under certain conditions, hydrogen gas may be produced in a hot water system that has not been used for two weeks or more. **HYDROGEN GAS IS EXPLOSIVE.** If the hot water system has not been used for such a period, before using the dishwasher turn on all hot water faucets and let the water flow from each for several minutes. This will release any accumulated hydrogen gas. As the gas is flammable, do not smoke or use an open flame during this time.
- Remove the door or lid to the washing compartment when removing an old dishwasher from service or discarding it.

**SAVE THESE INSTRUCTIONS**

## Before Using Your Dishwasher

### **⚠ WARNING**



#### **Tip Over Hazard**

**Do not use dishwasher until completely installed.**

**Do not push down on open door.**

**Doing so can result in serious injury or cuts.**

### **⚠ WARNING**



#### **Electrical Shock Hazard**

**Electrically ground dishwasher.**

**Connect ground wire to green ground connector in terminal box.**

**Do not use an extension cord.**

**Failure to follow these instructions can result in death, fire, or electrical shock.**

- Install where dishwasher is protected from the elements. Protect against freezing to avoid possible rupture of fill valve. Such ruptures are not covered by the warranty. See "Storing" section for winter storage information.
- Install and level dishwasher on a floor that will hold the weight, and in an area suitable for its size and use.
- Remove all shipping plugs from hoses and connectors (such as the cap on the drain outlet) before installing. See Installation Instructions for complete information.

### **GROUNDING INSTRUCTIONS**

#### ■ **For a grounded, cord-connected dishwasher:**

The dishwasher must be grounded. In the event of a malfunction or breakdown, grounding will reduce the risk of electric shock by providing a path of least resistance for electric current. The dishwasher is equipped with a cord having an equipment-grounding conductor and a grounding plug. The plug must be plugged into an appropriate outlet that is installed and grounded in accordance with all local codes and ordinances.

**WARNING:** Improper connection of the equipment-grounding conductor can result in a risk of electric shock. Check with a qualified electrician or service representative if you are in doubt whether the dishwasher is properly grounded. Do not modify the plug provided with the dishwasher; if it will not fit the outlet, have a proper outlet installed by a qualified electrician.

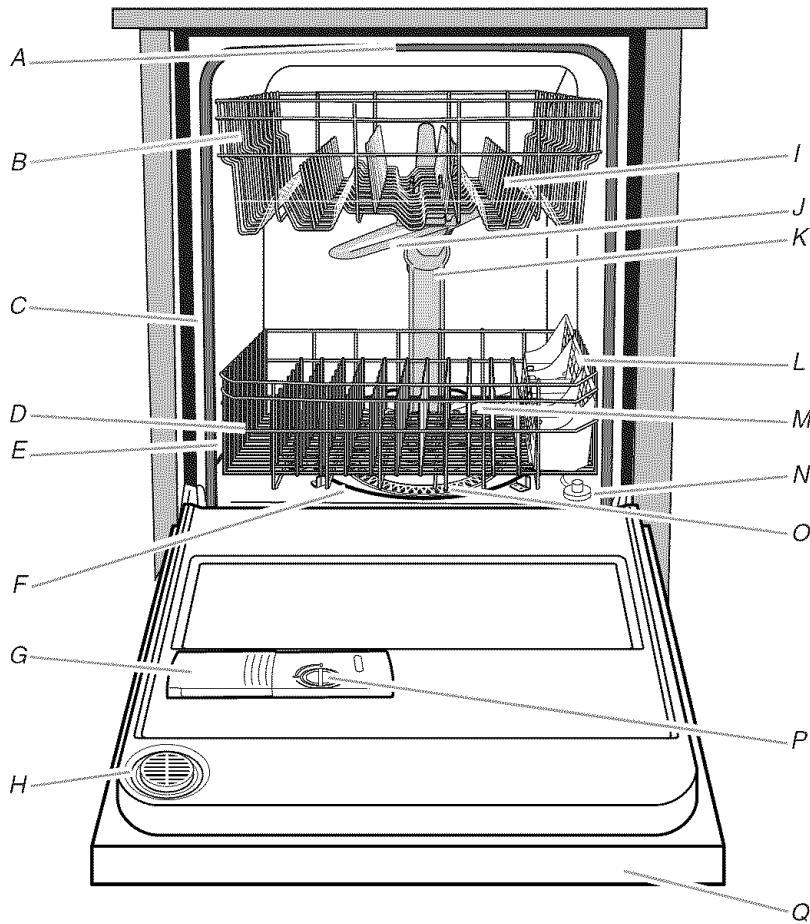
#### ■ **For a permanently connected dishwasher:**

The dishwasher must be connected to a grounded metal, permanent wiring system, or an equipment-grounding conductor must be run with the circuit conductors and connected to the equipment-grounding terminal or lead on the dishwasher.

### **SAVE THESE INSTRUCTIONS**

# PARTS AND FEATURES

This manual covers several different models. The features on your dishwasher may vary from those shown below.

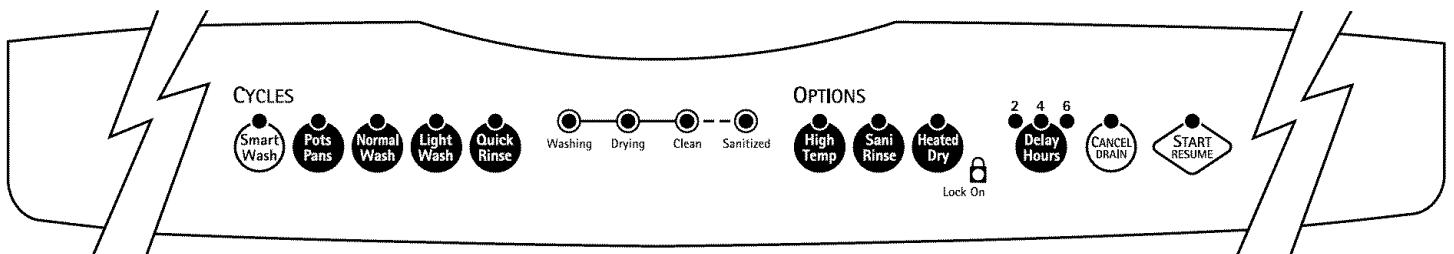


- A. Upper level wash
- B. Top rack
- C. Model and serial number label
- D. Bottom rack
- E. Water inlet opening (in tub wall)
- F. Heating element

- G. Detergent dispenser
- H. Vent
- I. No-flip clips
- J. Top spray arm
- K. ULTRA FLOW™ water feed tube

- L. Silverware basket
- M. Lower spray arm
- N. Overfill protection float
- O. ULTRA WASH® module
- P. Rinse aid dispenser
- Q. Control panel

## Control Panel



## ULTRA WASH® Soil Removal System

The ULTRA WASH® Soil Removal System gives you sparkling clean dishes, while using less energy and time. The ULTRA WASH® Soil Removal System includes:

- A Triple Action Filtration system that intermittently filters soil from the wash water, thus eliminating the need to scrape dishes.

- An ULTRA WASH® optical soil sensor that detects soil level and detergent quantity appearing in the wash water and adjusts the cycles as needed.
- An Automatic Temperature Control (ATC) that ensures the proper water temperature for the selected wash cycle, dish load size, and soil level of the load.

### Featuring smartwash™ Wash Cycle

#### How the smartwash™ wash cycle works

When the smartwash™ cycle is selected, it saves energy and water by adjusting the wash cycle as needed.

- Sensors detect the size of the dish load, the soil level, and the water temperature in the dishwasher.
- Sensors automatically adjust the temperature and the amount of water used for the load.

This dishwasher will automatically calibrate the sensor approximately once a year to your water quality.

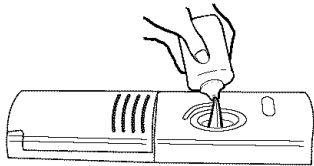
**IMPORTANT:** The very first wash cycle after installation in your home will be adjusted to include an additional 2 rinses for optical soil sensor calibration. For proper calibration, the first cycle should not be interrupted. If this calibration cycle is canceled or stopped before the Clean light comes on at the end of the cycle, the next wash cycle will repeat this sensor calibration.

## START-UP GUIDE

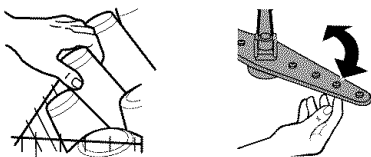
Before using your dishwasher, remove all packaging materials. Read this entire Use and Care Guide. You will find important safety information and useful operating tips.

### Using Your New Dishwasher

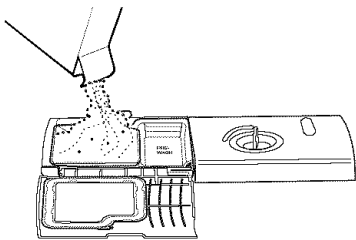
1. Rinse aid is essential for good drying. Be sure to fill the dispenser before you use your new dishwasher. Each filling will last about 1 to 3 months depending on your usage.



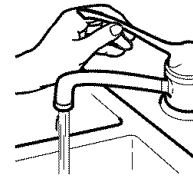
2. Scrape large food soil and hard items (toothpicks or bones) from dishes.
3. Properly load the dishwasher. (See "Dishwasher Loading.") Load dishes with space in between so water will reach the soiled surfaces. Make sure nothing keeps the spray arm(s) from spinning freely.



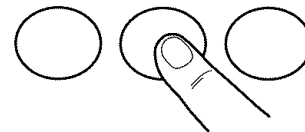
4. Add detergent. Always use a high-quality brand detergent. (See "Dishwasher Use.")



5. Push door firmly closed. The door latches automatically.
6. Run hot water at the sink nearest your dishwasher until the water is hot. (See "Dishwasher Efficiency Tips.") Turn off water.



7. Press the desired cycle and option selections. (See "Dishwasher Use.")



8. Press START/RESUME, or press START/RESUME to repeat the same cycle and options as the previous cycle.

**IMPORTANT:** The Start/Resume light will flash if the door is opened during a cycle. Power interruptions during a cycle may also cause the Start/Resume light to flash. Press START/RESUME to continue a cycle.



# DISHWASHER LOADING

## Loading Suggestions

- Remove leftover food, bones, toothpicks and other hard items from the dishes. To conserve water and energy and save time, it is not necessary to rinse dishes before putting them into the dishwasher.

**NOTE:** Prerinsing dishes soiled with tomato-based products is recommended to avoid staining the dishware.

The wash module removes food particles from the water. The module contains a triple action filtration system that intermittently filters soil from the water.

**NOTE:** If hard items such as fruit seeds, nuts, and eggshells enter the wash module, you might hear grinding, crunching, or buzzing sounds. These sounds are normal when hard items enter the module. To avoid damage to the dishwasher, do not let metallic items (such as pot handle screws) get into the wash module.

- For best drying, water must be able to drain from all surfaces.
- It is important for the water spray to reach all soiled surfaces.
- Load dishes so they are not stacked or overlapping if possible.
- Use special care when loading heavy pots and pans. Heavy items can damage the interior of the door if they are dropped or bumped.

- Make sure pot lids and handles, pizza pans, cookie sheets, etc., do not interfere with the spray arm rotation.
- Conserve water and energy and save time over hand rinsing by running a rinse cycle to keep dishes moist if you do not plan to wash them soon. Foods such as eggs, rice, pasta, spinach, and cooked cereals may be hard to remove if they are left to dry over a period of time.
- Place items so open ends face down for best cleaning and draining.

## Quiet operating tips

To avoid thumping/clattering noises during operation:

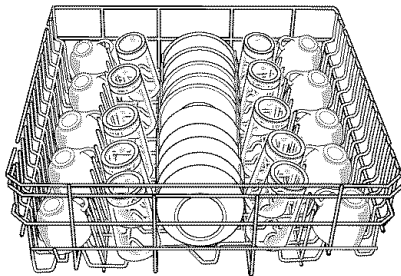
- Make sure lightweight load items are secured in the racks.
- Make sure pot lids and handles, pizza pans, cookie sheets, etc., do not touch interior walls or interfere with the rotation of the spray arm(s).
- Load dishes so they do not touch one another.

**NOTE:** For built-in models, keep sink drain plugs closed during dishwasher operation to avoid noise transfer through drains.

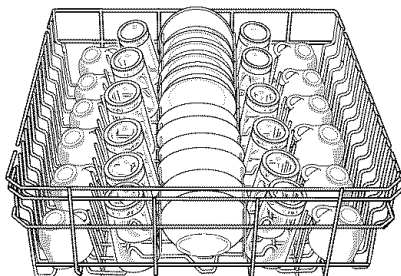
## Loading Top Rack

The top rack is designed for cups, glasses, and smaller items. Many items, up to 9" (22 cm), fit in the top rack. (See recommended loading patterns shown.)

**NOTE:** The features on your dishwasher rack may vary from the drawings shown.



10 place setting



12 place setting

- Place items so open ends face down for cleaning and draining.
- Load glasses in top rack only. The bottom rack is not designed for glasses. Damage can occur.
- Place cups and glasses in the rows between tines. Placing them over the tines can lead to breakage and water spots.
- China, crystal, and other delicate items must not touch each other during dishwasher operation. Damage may occur.
- Load lightweight plastic items in the top rack only. Only plastic items marked "dishwasher safe" are recommended.
- Load plastic items so the force of the spray does not move them during the cycle.
- To avoid chipping, do not let stemware touch other items.
- Small bowls, pans, and other utensils can be placed in the top rack. Load bowls in the center section for best stability.

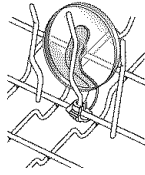


---

## No-flip clips

---

The no-flip clips hold lightweight plastic items such as cups, lids, or bowls in place during washing.



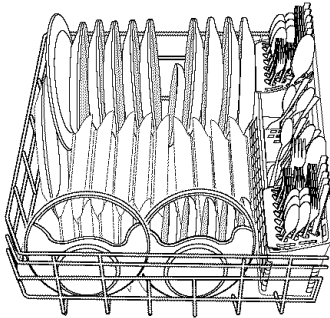
### To move a clip

1. Pull the clip up and off the tine.
  2. Reposition the clip on another tine.
- 

## Loading Bottom Rack

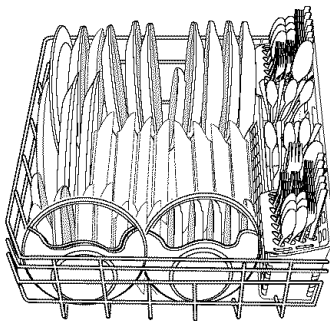
The bottom rack is designed for plates, pans, casseroles, and utensils. Many items, up to 13" (33 cm) tall, fit in the bottom rack. (See recommended loading patterns shown.)

**NOTE:** The features on your dishwasher rack may vary from the drawings shown.



10 place setting

- Do not load glasses, cups, or lightweight plastic items in the bottom rack. Load small items in the bottom rack only if they are secured in place.
- Load plates, soup bowls, etc., between tines.
- Overlap the edges of plates for large loads.
- Load soup, cereal, and serving bowls in the rack in a variety of ways depending upon their size and shape. Load bowls securely between the rows of tines. Do not nest bowls because the spray will not reach all surfaces.



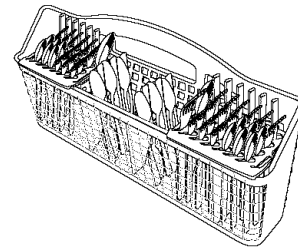
12 place setting

- Load cookie sheets, cake pans, and other large items at the sides and back. Loading such items in front can keep the water spray from reaching the detergent dispenser.
  - Secure heavily soiled cookware face down in the rack.
  - Make sure pot handles and other items do not stop rotation of the spray arm(s). The spray arm(s) must move freely.
  - Do not load items between the bottom rack and the side of the dishwasher tub because they might block the water inlet opening.
- 

## Loading Silverware Basket

Load the silverware basket while it is in the bottom rack or take the basket out for loading on a counter or table.

**IMPORTANT:** Always load items (knives, skewers, etc.) pointing down.



Mix items in each section of the basket with some pointing up and some down to avoid nesting. Spray cannot reach nested items.



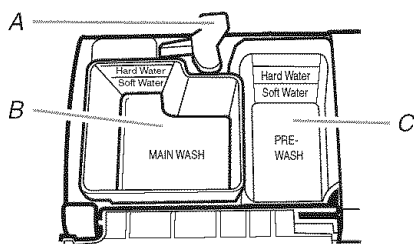
### NOTES:

- Do not load silver or silver-plated silverware with stainless steel. These metals can be damaged by contact with each other during washing.
- Some foods (such as salt, vinegar, milk products, fruit juices, etc.) can pit or corrode silverware. Run a rinse cycle if you do not have a full load to wash immediately.
- Unload or remove the basket before unloading the racks to avoid spilling water droplets onto the silverware.

# DISHWASHER USE

## Detergent Dispenser

The detergent dispenser has two sections. The smaller Pre-Wash section empties detergent into the dishwasher when you close the door. The larger Main Wash section automatically empties detergent into the dishwasher during the wash. (See the “Cycle Selection Charts.”)



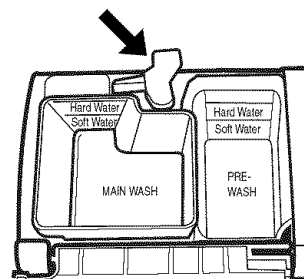
A. Cover latch  
B. Main Wash section  
C. Pre-Wash section

- Use automatic dishwashing detergent only. Other detergents can produce excessive suds that can overflow out of the dishwasher and reduce washing performance.
- Add detergent just before starting cycle.
- Store tightly closed detergent in a cool, dry place. Fresh automatic dishwasher detergent results in better cleaning.

**NOTE:** Do not use detergent with a Quick Rinse cycle.

### Filling the dispenser

1. If the dispenser cover is closed, open the cover by moving the cover latch to the right.



2. Add the correct amount of detergent to the Main Wash section of the dispenser according to the chart below. If you are using a tablet detergent, it must be placed in the Main Wash section. (See “How much detergent to use.”)
3. Add the correct amount of detergent to the Pre-Wash section of the dispenser, if needed, according to the chart below.
4. Close the dispenser cover and secure by pressing on the cover directly above the cover latch.

It is normal for the cover to open partially when dispensing detergent.

**NOTE:** See the “Cycle Selection Charts” for which section to fill depending on the cycle selected.

### How much detergent to use

- The amount of detergent to use depends on the soil level of your dishes, hardness of your water, and the type of detergent. If you use too little, dishes will not be clean. If you use too much in soft water, glassware will etch.
- Water hardness can change over a period of time. Find out your water’s hardness by asking your Sears Sales Associate, local water department, water softener company, or county extension agent.

| Detergent Dispenser fill recommendations per dish load soil level and water hardness |   |  |   |  |                                      |                                      |
|--|---|--|---|--|--------------------------------------|--------------------------------------|
| Water Hardness   | Light Soil or Prerinsed                         |  | Normal Soil                                     |  | Heavy Soil                           |                                      |
|  | Main Wash section                               | Pre-Wash section                         | Main Wash section                               | Pre-Wash section                         | Main Wash section                    | Pre-Wash section                     |
| <b>Soft</b><br>(0-2 grains per U.S. gallon)  | 4 tsp (20 mL)<br>Fill to Soft Water line        | Empty                                    | 6 tsp (30 mL)<br>Fill above the Soft Water line | 2 tsp (10 mL)<br>Fill to Soft Water line | 9 tsp (45 mL)<br>Fill cup completely | 7 tsp (35 mL)<br>Fill cup completely |
| <b>Medium</b><br>(2-6 grains per U.S. gallon)  | 6 tsp (30 mL)<br>Fill above the Soft Water line | 2 tsp (10 mL)<br>Fill to Soft Water line | 6 tsp (30 mL)<br>Fill above the Soft Water line | 4 tsp (20 mL)<br>Fill to Hard Water line | 9 tsp (45 mL)<br>Fill cup completely | 7 tsp (35 mL)<br>Fill cup completely |
| <b>Hard</b><br>(7 grains per U.S. gallon and above)                                  | 8 tsp (40 mL)<br>Fill to Hard Water line        | 4 tsp (20 mL)<br>Fill to Hard Water line | 9 tsp (45 mL)<br>Fill cup completely            | 7 tsp (35 mL)<br>Fill cup completely     | 9 tsp (45 mL)<br>Fill cup completely | 7 tsp (35 mL)<br>Fill cup completely |

**NOTE:** Fill amounts shown are for standard powdered detergent. Amounts may vary if you use liquid or concentrated powdered detergent. Tablet detergents should be placed in the main wash section of the detergent dispenser with the cover closed. Follow instructions on the package when using liquid dishwasher detergent, concentrated powdered detergent or tablet detergent.

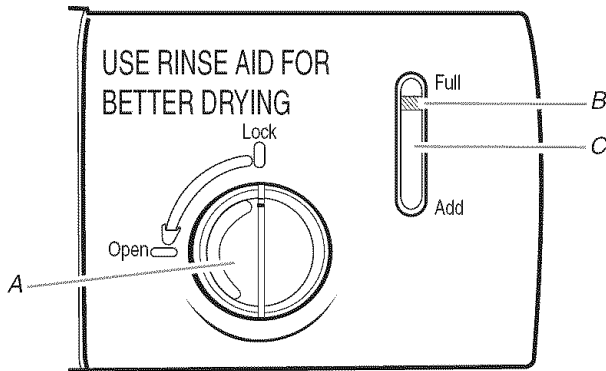
## Rinse Aid Dispenser

**IMPORTANT:** Your dishwasher is designed to use a liquid rinse aid. The use of rinse aids greatly improves drying by allowing water to drain from the dishes after the final rinse. They also keep water from forming droplets that can dry as spots or streaks. Do not use a solid or bar-type rinse aid.

### Filling the dispenser

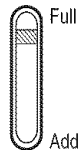
The rinse aid dispenser holds 5 oz (150 mL) of rinse aid. Under normal conditions, this will last for about 1 to 3 months.

1. Make sure the dishwasher door is fully open.
2. Turn the dispenser knob to “Open” and lift it out.



A. Dispenser knob  
B. Indicator  
C. Indicator window

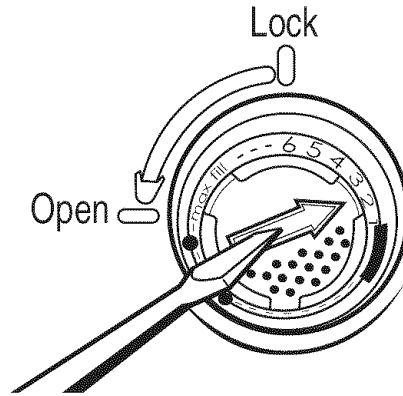
3. Pour rinse aid into the opening until the indicator points to “Full.” Do not overfill. (When the rinse aid indicator drops to the “Add” level, add more rinse aid.)



4. Clean up any spilled rinse aid with a damp cloth.
5. Place the knob back into the opening and turn to the “Lock” position.

### Rinse aid setting

The amount of rinse aid released into the final rinse can be adjusted. For most water conditions, the factory setting of 2 will give good results. If you have hard water or notice rings or calcium spots on your glasses or dishes, try a higher setting.



### To adjust the setting

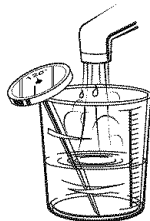
1. Remove the dispenser knob.
2. Turn the arrow adjuster inside the dispenser to the desired setting by either using your fingers or inserting a flat-blade screwdriver into the center of the arrow and turning.
3. Replace the dispenser knob.

## Dishwasher Efficiency Tips

Hot water dissolves and activates the dishwashing detergent. Hot water also dissolves grease on dishes and helps glasses dry spot-free. For best dishwashing results, water should be 120°F (49°C) as it enters the dishwasher. Loads may not wash as well if the water temperature is too low. Water that is too hot can make some soils harder to remove and cause certain detergent ingredients not to function. If your water heater is located far from the dishwasher, it may be necessary to run the hot water at the faucet closest to the dishwasher to minimize the amount of cold water in the water line.

### To check water temperature

1. Run hot water at the faucet closest to your dishwasher for at least 1 minute.
2. Place a candy or meat thermometer in a glass measuring cup.



3. Check the temperature on the thermometer as the water is running into the cup.

### Additional efficiency tips

- To save water, energy and time, do not rinse dishes before putting them into the dishwasher.
- Use a delay feature to run your dishwasher during off-peak hours. Local utilities recommend avoiding heavy usage of energy at certain times of day.
- During the summer, run your dishwasher at night. This reduces daytime heat buildup in the kitchen.
- Use a rinse aid to improve drying.
- Use cycles or options that add extra heat to the wash or rinse portion of the cycle only when needed.
- If your home is equipped with a water softener, you may want to avoid starting the dishwasher during the regeneration of the softener, since this may contribute to poor wash performance.

## Cycle Selection Charts

Select the wash cycle and options desired. Or press START/RESUME to use the same cycle and options as the previous cycle.

**NOTE:** If the last cycle you completed was a rinse cycle, the dishwasher will run the last full wash cycle and options that you selected when you press START/RESUME.

A "●" shows the steps that are in each cycle.

Water usage is shown in U.S. gallons/liters.

These models meet the ENERGY STAR® guidelines for energy efficiency.

Cycle time includes dry time. An asterisk ( \* ) by the cycle time, Main Wash, and Final Rinse indicates the cycle time might be longer depending on the temperature of the water entering the dishwasher.

**IMPORTANT:** These sensor-based cycles may take several hours depending on cycle selected, water temperature, soil level, and dish mass sensed.

### Smart Wash

Use this cycle for all day-to-day soil types when washing full to partial dish loads. During the cycle, the sensors will determine water temperature, wash time, and water amount based on the soil level and the dish load size. During the main wash, the wash action will repeatedly pause for several seconds.



**Use both detergent dispenser sections when washing a full soiled dish load.**



**Use one detergent dispenser section when washing lightly soiled, partial dish loads.**

| Dish load | Soil Level Sensed | Pre-Wash | Main Wash*           | Rinse or Purge † | Final Rinse*         | Dry | Average Time* (min) | Water Usage (gal/L)   |
|-----------|-------------------|----------|----------------------|------------------|----------------------|-----|---------------------|-----------------------|
| Full      | Heavy             | ●        | ●<br>145°F<br>(63°C) | ●<br>Rinse       | ●<br>140°F<br>(60°C) | ●   | 145*                | 6.9-7.8/<br>26.1-29.5 |
|           | Nominal           | ●        | ●<br>119°F<br>(48°C) | ●<br>Purge       | ●<br>140°F<br>(60°C) | ●   | 115*                | 5.9/22.3              |
|           | Light             |          | ●<br>115°F<br>(46°C) | ●<br>Purge       | ●<br>140°F<br>(60°C) | ●   | 105*                | 4.5/17.0              |
| Partial   | Heavy             | ●        | ●<br>145°F<br>(63°C) | ●<br>Purge       | ●<br>140°F<br>(60°C) | ●   | 130*                | 5.9-6.8/<br>22.3-25.7 |
|           | Nominal           | ●        | ●<br>119°F<br>(48°C) | ●<br>Purge       | ●<br>140°F<br>(60°C) | ●   | 105*                | 5.9/22.3              |
|           | Light             |          | ●<br>115°F<br>(46°C) | ●<br>Purge       | ●<br>140°F<br>(60°C) | ●   | 105*                | 4.5/17.0              |

### Pots Pans

Use this cycle for heavily soiled pots, pans, casseroles, regular tableware and hard\*\* water conditions.



**Use both detergent dispenser sections.**

| Pre-Wash | Main Wash*           | Pre-Rinse† | Final Rinse*         | Dry | Average Time* (min) | Water Usage (gal/L) |
|----------|----------------------|------------|----------------------|-----|---------------------|---------------------|
| ●        | ●<br>140°F<br>(60°C) | ●          | ●<br>140°F<br>(60°C) | ●   | 125*                | 6.9-7.8/<br>26-30   |

### Normal Wash

Use this cycle for loads with normal amounts of food soil. (The energy-usage label is based on this cycle.) During the wash cycle, the wash action will repeatedly pause for several seconds.



**Use both detergent dispenser sections.**

| Pre-Wash | Main Wash*           | Pre-Rinse† | Final Rinse*         | Dry | Average Time* (min) | Water Usage (gal/L) |
|----------|----------------------|------------|----------------------|-----|---------------------|---------------------|
| ●        | ●<br>115°F<br>(46°C) | ●          | ●<br>140°F<br>(60°C) | ●   | 110*                | 4.1-7.8/<br>15.5-30 |

### Light Wash

Use this cycle for china and crystal. This cycle uses a light wash and gentle dry. During the heated dry, the heating element cycles on and off.



**Use main detergent dispenser section.**

| Pre-Wash | Main Wash*           | Pre-Rinse† | Final Rinse*         | Dry | Average Time* (min) | Water Usage (gal/L) |
|----------|----------------------|------------|----------------------|-----|---------------------|---------------------|
| ●        | ●<br>115°F<br>(46°C) | ●          | ●<br>135°F<br>(57°C) | ●   | 105*                | 4.5-6.8/<br>17-26   |

### Quick Rinse

Use this rinse cycle for rinsing dishes, glasses, and silverware that will not be washed right away.



**Do not use detergent with this cycle.**

| Wash | Main Wash | Rinse or Purge | Final Rinse | Dry | Time (min) | Water Usage (gal/L) |
|------|-----------|----------------|-------------|-----|------------|---------------------|
|      |           | ●<br>Rinse     |             |     | 10         | 1.8-2.3/<br>6.8-8.7 |

†A small amount of water is run through the pump to remove soil particles between the main wash and final rinse.

\*If the incoming water temperature is less than the recommended temperature or food soils are heavy, the cycle will automatically compensate by adding time, heat, and water as needed.

\*\*Hard water is defined as 7 grains per U.S. gallon and above.

**NOTE:** The sensor in your dishwasher monitors the soil level. Cycle time and/or water usage can vary from the numbers above as the sensor adjusts the cycle for the best wash performance.

---

## Canceling a Cycle

1. Press CANCEL/DRAIN. The Cancel/Drain light glows.
2. The dishwasher starts a 2-minute drain (if needed). Let the dishwasher drain completely. The light turns off after 2 minutes. The door must be closed for the dishwasher to drain.

---

### To stop the drain

You can press CANCEL/DRAIN again to stop the drain. Be sure to drain the dishwasher before starting a new cycle.

---

### To clear the indicators

Press CANCEL/DRAIN before starting the dishwasher to clear all options and cycles.

---

## Changing a Cycle or Setting

---

### During the first minute of a cycle

1. Select a new cycle and/or options.
2. Check the detergent dispensers. They must be filled properly for the new cycle.
3. The Start/Resume light will flash when the door is opened. Make sure the door is closed.
4. Press START/RESUME.

---

### After the first minute of a cycle

1. Press CANCEL/DRAIN. The Cancel/Drain light glows. Your dishwasher starts a 2-minute drain (if needed). Let the dishwasher drain completely.
2. Check the detergent dispensers. They must be filled properly for the new cycle.
3. Make sure the door is closed. The Start/Resume light will flash.
4. Select a new cycle and/or options.
5. Press START/RESUME.

---

## Adding Items During a Cycle

You can add an item anytime before the main wash starts. Open the door and check the detergent dispenser. If the cover is still closed, you can add items.

---

### To add items

1. Open the door slightly to stop the cycle. Wait for the spraying action to stop before opening the door. The Start/Resume light will flash.
2. Open the door. If the detergent dispenser cover is still closed, add the item.
3. Close the door firmly until it latches. The Start/Resume light will flash.
4. Press START/RESUME.

**IMPORTANT:** If Lock On is selected, turn off the lock (see Lock On section in "Option Selections"), or the Start/Resume light will continue to flash.

---

## Option Selections

You can customize your cycles by pressing an option. If you change your mind, press the option again to turn off the option, or select a different option if desired.

You can change an option anytime before the selected option begins. For example, you can press an unheated drying option anytime before drying begins.

Press START/RESUME to use the same cycle and option(s) as the previous wash cycle.

**NOTE:** If the last cycle you completed was a rinse cycle, when you press START/RESUME, the dishwasher runs the last full wash cycle and options.

---

### High Temp

Select this option to increase the water temperature during the wash portions of the cycle. High Temp raises the water temperature to 145°F (63°C), in the main wash. Heating the water helps improve washing results. High Temp is useful when loads contain tough food soil.

This option may add heat and wash time to the cycle.

**NOTE:** High Temp is an option with the SMARTWASH™, Pots Pans and Normal Wash cycles.

---

### Sani Rinse

Select this option to raise the water temperature in the final rinse to approximately 155°F (68°C). Sani Rinse adds heat and time to the cycle. This high temperature rinse sanitizes your dishes and glassware in accordance with NSF/ANSI Standard 184 for Residential Dishwashers. Certified residential dishwashers are not intended for licensed food establishments.

**NOTE:** Sani Rinse is an option with SMARTWASH™, Pots Pans, and Normal Wash cycles. Only these sanitization cycles have been designed to meet the NSF/ANSI requirements.

---

### Heated Dry

The Heated Dry option in combination with rinse aid will give you excellent drying results. The energy to use Heated Dry costs pennies per cycle. Heated Dry is on when the light is lit on the Heated Dry button. Be sure to load plastic items in the upper rack to avoid damage.

You may turn off the Heated Dry option by pressing HEATED DRY so that the light goes off. However, you will have items in your dish load that will not be dry at the end of the cycle.

**NOTE:** The Heated Dry option is used in all cycles except Quick Rinse.

---

## Lock On

---

Use the Lock On to avoid unintended use of the dishwasher. You can also use the lock feature to avoid unintended cycle or option changes during a cycle.

When LOCK ON is lit, all buttons are disabled.

**NOTE:** The dishwasher door can be opened while the controls are locked. However, the lock must be turned off and the Start/Resume button pressed to resume the cycle.

### To turn on the Lock

Press and hold HEATED DRY for 4 seconds. LOCK ON glows.

If you press any pad while your dishwasher is locked, the light flashes 3 times.

**NOTE:** If the Heated Dry option is selected, the light will temporarily turn off until Lock On glows.

### To turn off the Lock

Press and hold HEATED DRY for 4 seconds. The light turns off.

---

## Delay Hours

---

Select this option to run your dishwasher at a later time or during off-peak hours. You can add items to the load anytime during the delay. After adding items, firmly close the door until it latches and press START/RESUME, or the delay will not continue.

### To delay the start

1. Press the delay button to choose the number of hours delayed.
2. Select a wash cycle and options.
3. Press START/RESUME.

The dishwasher starts the cycle in the selected number of hours.

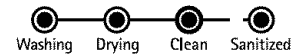
### NOTES:

- To cancel the delay and cycle, press CANCEL/DRAIN.
  - To cancel the delay and start the cycle, press START/RESUME.
- 

---

## Cycle Status Indicators

Follow the progress of your dishwasher with the Cycle Status indicators.



**NOTE:** The features on your dishwasher may vary from those shown here.

---

### Clean

---

Clean glows when a cycle is finished. The light turns off when you press any button or close the door.

---

### Sanitized

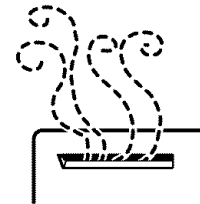
---

If you select the Sani Rinse option, Sanitized glows when the Sani Rinse cycle is finished. If your dishwasher did not properly sanitize your dishes, the light flashes at the end of the cycle. This can happen if the cycle is interrupted or the incoming water temperature is too low. The light turns off when you press any button or close the door.

---

## Vent

During cycles, the vent allows vapor to escape into the room. Between cycles, the vent allows airflow, reducing the buildup of odors.



**IMPORTANT:** The vapor is hot. Do not touch the vent during drying.

---

## Overfill Protection Float

The overfill protection float (in the front right corner of the dishwasher tub) keeps the dishwasher from overfilling. It must be in place for the dishwasher to operate.



Check under the float for objects that may keep the protector from moving up or down.

## WASHING SPECIAL ITEMS

If you have doubts about washing a particular item, check with the manufacturer to see if it is dishwasher safe.

| Material                        | Dishwasher Safe? | Comments   |
|---------------------------------|------------------|--|
| Aluminum                        | <b>Yes</b>       | High water temperature and detergents can affect finish of anodized aluminum.  |
| Disposable Aluminum             | <b>No</b>        | Do not wash throwaway aluminum pans in the dishwasher. These might shift during washing and transfer black marks to dishes and other items.  |
| Bottles and Cans                | <b>No</b>        | Wash bottles and cans by hand. Labels attached with glue can loosen and clog the spray arms or pump and reduce washing performance.  |
| Cast Iron                       | <b>No</b>        | Seasoning will be removed, and iron will rust.   |
| China/Stoneware                 | <b>Yes</b>       | Always check manufacturer's recommendations before washing. Antique, hand-painted, or over-the-glaze patterns may fade. Gold leaf can discolor or fade.  |
| Crystal                         | <b>Yes</b>       | Always check manufacturer's recommendations before washing. Some types of leaded crystal can etch with repeated washing.   |
| Gold                            | <b>No</b>        | Gold-colored flatware will discolor.   |
| Glass                           | <b>Yes</b>       | Milk glass yellows with repeated dishwasher washing.   |
| Hollow-Handle Knives            | <b>No</b>        | Handles of some knives are attached to the blade with adhesives which can loosen if washed in the dishwasher.  |
| Pewter, Brass, Bronze           | <b>No</b>        | High water temperatures and detergent can discolor or pit the finish.  |
| Disposable Plastics             | <b>No</b>        | Cannot withstand high water temperatures and detergents.   |
| Plastics                        | <b>Yes</b>       | Always check manufacturer's recommendations before washing. Plastic items may vary in their ability to withstand high temperatures and detergents. It is recommended that light items such as lids and butter dishes be placed in the upper rack only. Sturdy items such as coolers and high-chair trays may be placed in the lower rack. When washing plastic items in the lower rack, it is recommended that an air dry be used. |
| Stainless Steel                 | <b>Yes</b>       | Run a rinse cycle if not washing immediately. Prolonged contact with food containing salt, vinegar, milk products, or fruit juice can damage finish.   |
| Sterling Silver or Silver Plate | <b>Yes</b>       | Run a rinse cycle if not washing immediately. Prolonged contact with food containing salt, acid, or sulfide (eggs, mayonnaise, and seafood) can damage finish.   |
| Tin                             | <b>No</b>        | Can rust.  |
| Wooden Ware                     | <b>No</b>        | Wash by hand. Always check manufacturer's instructions before washing. Untreated wood can warp, crack, or lose its finish.   |

---

# DISHWASHER CARE

---

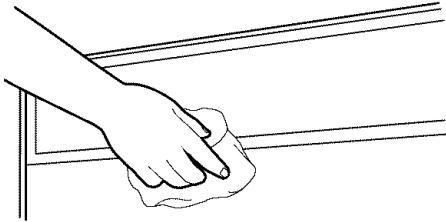
## Cleaning

---

### Cleaning the exterior

---

In most cases, regular use of a soft, damp cloth or sponge and a mild detergent is all that is necessary to keep the outside of your dishwasher looking nice and clean. If your dishwasher has a stainless steel exterior, a stainless steel cleaner is recommended.



### Cleaning the interior

---

Hard water minerals can cause a white film to build up on the inside surfaces, especially just beneath the door area.

Do not clean the dishwasher interior until it has cooled. You may want to wear rubber gloves. Do not use any type of cleanser other than dishwasher detergent because it may cause foaming or sudsing.

#### To clean interior

Make a paste with powdered dishwasher detergent on a damp sponge and clean.

**OR**

Use liquid automatic dishwasher detergent and clean with a damp sponge.

**OR**

See the vinegar rinse procedure in "Spotting and filming on dishes" in "Troubleshooting."

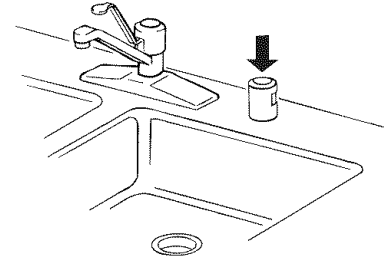
**NOTE:** Run a normal cycle with detergent after cleaning the interior.

## Drain Air Gap

---

Check the drain air gap anytime your dishwasher isn't draining well.

Some state or local plumbing codes require the addition of a drain air gap between a built-in dishwasher and the home drain system. If a house drain is clogged, the drain air gap protects your dishwasher from water backing up into it.



The drain air gap is usually located on top of the sink or countertop near the dishwasher. To order a drain air gap, please call **1-800-4-MY-HOME®**. Ask for Part Number 300096.

**NOTE:** The drain air gap is an external plumbing device that is not part of your dishwasher. The warranty provided with your dishwasher does not cover service costs directly associated with the cleaning or repair of the external drain air gap.

### To clean the drain air gap

---

Clean the drain air gap periodically to ensure proper drainage of your dishwasher. Follow the cleaning instructions provided by the manufacturer. With most types, you lift off the chrome cover. Unscrew the plastic cap. Then check for any soil buildup. Clean if necessary.

## Storing

---

### Storing for the summer

---

Protect your dishwasher during the summer months by turning off the water supply and power supply to the dishwasher.

### Winterizing your dishwasher

---

Protect your dishwasher and home against water damage due to freezing water lines. If your dishwasher is left in a seasonal dwelling or could be exposed to near freezing temperatures, have your dishwasher winterized by authorized service personnel.



# TROUBLESHOOTING

First try the solutions suggested here and possibly avoid the cost of a service call...

## Dishwasher is not operating properly

- **Dishwasher does not run or stops during a cycle**
  - Is the door closed tightly and latched?
  - Is the right cycle selected? Refer to the “Cycle Selection Charts.”
  - Is there power to the dishwasher? Has a household fuse blown, or has a circuit breaker tripped? Replace the fuse or reset the circuit breaker. If the problem continues, call an electrician.
  - Has the motor stopped due to an overload? The motor automatically resets itself within a few minutes. If it does not restart, call for service.
  - Is the water shut-off valve (if installed) turned on?
  - It is normal for certain cycles to repeatedly pause for several seconds during the wash cycle.
- **START/RESUME light is flashing**

Was the door opened during the cycle, or was the power interrupted? The Start/Resume light will flash when the door is opened during a cycle, or may flash if the power is interrupted. Press START/RESUME to resume the cycle. Make sure the door is fully closed and latched.
- **Clean light is flashing**

The dishwasher has malfunctioned. Call for service.
- **Dishwasher will not fill**

Is the overflow protection float able to move up and down freely? Press down to release.
- **Dishwasher seems to run too long**

Is the water supplied to the dishwasher hot enough? The dishwasher runs longer while heating water. Refer to the “Dishwasher Efficiency Tips” section.

A delay automatically occurs in some wash and rinse cycles until the water reaches the proper temperature.
- **Water remains in the dishwasher**

Is the cycle complete?

Was the disposer knockout plug removed during installation? (See “Install the drain hose” in the Installation Instructions.)
- **Detergent remains in the covered section of the dispenser**

Is the cycle complete?

Is the detergent lump-free? Replace detergent if necessary.

Is the bottom rack installed properly with the bumpers (on some models) in the front? Refer to the “Parts and Features” section. Reinstall the rack if necessary.

## ■ White residue on the front of the access panel

Was too much detergent used? Refer to the “Detergent Dispenser” section.

Is the brand of detergent making excess foam? Try a different brand to reduce foaming and eliminate buildup.

## ■ Odor in the dishwasher

Are dishes washed only every 2 or 3 days? Run a rinse cycle once or twice a day until you have a full load.

Does the dishwasher have a new plastic smell? Run a vinegar rinse as described in “Spotting and filming on dishes” later in this Troubleshooting guide.

## ■ Condensation on the kitchen counter (built-in models)

Is the dishwasher aligned with the countertop? Moisture from the vent in the dishwasher console can form on the counter. Refer to the Installation Instructions for more information.

## Dishes are not completely clean

### ■ Food soil left on the dishes

Is the dishwasher loaded correctly? Refer to the “Dishwasher Loading” section.

Is the water temperature too low? For best dishwashing results, water should be 120°F (49°C) as it enters the dishwasher. Refer to the “Dishwasher Efficiency Tips” section.

Did you use the correct amount of fresh detergent? Use recommended dishwasher detergents only. Refer to the “Detergent Dispenser” section. Detergent must be fresh to be effective. Store detergent in a cool, dry area. Heavy soil and/or hard water generally require extra detergent.

Do you have hard water? You may need to increase the amount of detergent you are using. Refer to the “Detergent Dispenser” section. Also, you may need to switch to a detergent with a phosphorus content of 8.7%.

Is detergent caked in dispenser? Use fresh detergent only. Do not allow detergent to sit for several hours in a wet dispenser. Clean dispenser when caked detergent is present.

Is the pump or spray arm clogged by labels from bottles and cans?

Is the home water pressure high enough for proper dishwasher filling? Home water pressure should be 20 to 120 psi (138 to 828 kPa) for proper dishwasher fill. If you have questions about your water pressure, call a licensed, qualified plumber.

Are high suds slowing the wash arm? Do not use soap or laundry detergents. Use recommended dishwasher detergents only.

---

## Spots and stains on dishes

---

### ■ Spotting and filming on dishes

Is your water hard or is there a high mineral content in your water? Conditioning the final rinse water with a liquid rinse aid helps eliminate spotting and filming. Keep the rinse aid dispenser filled.

Is the water temperature too low? For best dishwashing results, water should be 120°F (49°C) as it enters the dishwasher. Refer to the “Dishwasher Efficiency Tips” section.

Did you use the correct amount of effective detergent? Use recommended dishwasher detergents only. Refer to the “Detergent Dispenser” section. Detergent must be fresh to be effective. Store detergent in a cool, dry area. Heavy soil and/or hard water generally require extra detergent.

Is the home water pressure high enough for proper dishwasher filling? Home water pressure should be 20 to 120 psi (138 to 828 kPa) for proper dishwasher fill. If you have questions about your water pressure, call a licensed, qualified plumber.

**NOTE:** To remove spots and film from dishes, try a white vinegar rinse. This procedure is intended for occasional use only. Vinegar is an acid, and using it too often could damage your dishwasher.

1. Wash and rinse dishes. Use an air-dry or an energy saving dry option. Remove all silverware or metal items.
2. Put 2 cups (500 mL) white vinegar in a glass or dishwasher-safe measuring cup on the bottom rack.
3. Run the dishwasher through a complete washing cycle using an air-dry option. Do not use detergent. Vinegar will mix with the wash water.

### ■ Silica film or etching (silica film is a milky, rainbow-colored deposit; etching is a cloudy film)

Sometimes there is a water/chemical reaction with certain types of glassware. This is usually caused by some combination of soft or softened water, alkaline washing solutions, insufficient rinsing, overloading the dishwasher, and the heat of drying. It might not be possible to avoid the problem, except by hand washing.

To slow this process use a minimum amount of detergent per load. Use a liquid rinse aid and underload the dishwasher to allow thorough rinsing. Silica film and etching are permanent and cannot be removed. Do not use heated drying.

### ■ White spots on cookware with nonstick finish

Has the dishwasher detergent removed cookware seasoning? Reseason cookware after washing in the dishwasher.

### ■ Brown stains on dishes and dishwasher interior

Does your water have high iron content? Rewash dishes using 1-3 tsp (5-15 mL) of citric acid crystals added to the covered section of the detergent dispenser. Do not use detergent. Follow with a normal wash cycle with detergent. If treatment is needed more often than every other month, the installation of an iron removal unit is recommended.

### ■ Black or gray marks on dishes

Are aluminum items rubbing dishes during washing? Disposable aluminum items can break down in the dishwasher and cause marking. Hand wash these items. Remove aluminum markings by using a mild abrasive cleaner.

### ■ Orange stains on plastic dishes or dishwasher interior

Are large amounts of tomato-based foods on dishes placed in the dishwasher? Stains gradually fade over time. Regular use of heated drying will slow fading. Stains will not affect dishwasher performance. Regular use of a rinse cycle and an air-dry or energy-saving dry option will reduce the likelihood of staining.

---

## Dishes do not dry completely

---

### ■ Dishes are not dry

Did you load your dishwasher to allow proper water drainage? Do not overload. Refer to the “Dishwasher Loading” section. Use a liquid rinse aid to speed drying.

Are the plastics wet? Plastics often need towel drying.

Is the rinse aid dispenser empty? Refer to the “Rinse Aid Dispenser” section.

Did you use an air-dry option? Use a heated drying option for dryer dishes.

---

## Dishes are damaged during a cycle

---

### ■ Chipping of dishes

Did you load the dishwasher properly? Load the dishes and glasses so they are stable and do not strike together from washing action. Minimize chipping by moving the rack in and out slowly.

**NOTE:** Antiques, feather-edged crystal, and similar types of china and glassware might be too delicate for automatic dishwashing. Wash by hand.

---

## Noises

---

### ■ Grinding, grating, crunching or buzzing sounds

A hard object has entered the wash module (on some models). When the object is ground up, the sound should stop. If the noise persists after a complete cycle, call for service.

---

## Dishwasher exterior is dirty or marked

---

### ■ Marks, smudges or residue on dishwasher exterior

Did you clean the dishwasher with a mild detergent and cloth or use a stainless steel cleaner on models with a stainless steel exterior? In most cases, regular use of a soft, damp cloth or sponge and a mild detergent is all that is necessary to keep the outside of your dishwasher looking fresh and clean. If your dishwasher has a stainless steel exterior, a stainless steel cleaner is recommended.

# ÍNDICE

|   |    |  |               |
|---|----|--|---------------|
| CONTRATOS DE PROTECCIÓN .....                     | 19 | Depósito del agente de enjuague .....                | 28            |
| GARANTÍA .....                                    | 20 | Consejos para la eficiencia de la lavavajillas ..... | 28            |
| SEGURIDAD DE LA LAVAVAJILLAS .....                | 21 | Tablas de selección de ciclos .....                  | 29            |
| Antes de usar su lavavajillas .....               | 22 | Cómo cancelar un ciclo .....                         | 30            |
| PIEZAS Y CARACTERÍSTICAS .....                    | 23 | Para cambiar un ciclo o una selección .....          | 30            |
| Sistema de remoción de suciedad ULTRA WASH® ..... | 24 | Para agregar artículos durante un ciclo .....        | 30            |
| Introducción del ciclo de lavado smartwash™ ..... | 24 | Selecciones de opciones .....                        | 30            |
| GUÍA DE PUESTA EN MARCHA .....                    | 24 | Indicadores de estado del ciclo .....                | 31            |
| El uso de su nueva lavavajillas .....             | 24 | Orificio de ventilación .....                        | 31            |
| CÓMO CARGAR LA LAVAVAJILLAS .....                 | 25 | Flotador de protección de sobrellenado .....         | 32            |
| Sugerencias para cargar la lavavajillas .....     | 25 | CÓMO LAVAR ARTÍCULOS ESPECIALES .....                | 32            |
| Cómo cargar la canasta superior .....             | 25 | CUIDADO DE LA LAVAVAJILLAS .....                     | 33            |
| Cómo cargar la canasta inferior .....             | 26 | Limpieza .....                                       | 33            |
| Cómo llenar la canastilla de los cubiertos .....  | 26 | Purga de aire del desagüe .....                      | 33            |
| CÓMO USAR LA LAVAVAJILLAS .....                   | 27 | Almacenamiento .....                                 | 33            |
| Depósito del detergente .....                     | 27 | SOLUCIÓN DE PROBLEMAS .....                          | 34            |
|   |    | NÚMEROS DE SERVICIO .....                            | CONTRAPORTADA |

## CONTRATOS DE PROTECCIÓN

### Contratos maestros de protección

¡Felicitaciones por su inteligente adquisición! Su nuevo producto Kenmore® está diseñado y fabricado para proporcionarle años de funcionamiento confiable. Pero al igual que todos los productos, puede necesitar mantenimiento preventivo o reparación de vez en cuando. Es allí donde el Contrato maestro de protección puede ahorrarle dinero e inconvenientes.

El Contrato maestro de protección también ayuda a prolongar la vida de su nuevo producto. He aquí lo que se incluye en el Contrato\*:

- ✓ **Piezas y mano de obra** necesarias para ayudar a mantener los productos funcionando correctamente **bajo uso normal**, no sólo en caso de defectos. Nuestra cobertura va **mucho más allá de la garantía del producto**. No existen deducibles ni fallas de funcionamiento que estén excluidas de la cobertura — **protección verdadera**.
- ✓ **Servicio experto** a cargo de un personal de más de 10.000 **técnicos de servicio autorizados por Sears**, lo que significa que su producto será reparado por alguien en quien usted puede confiar.
- ✓ **Llamadas de servicio ilimitado y servicio en todo el país**, con la frecuencia que usted desee, cuando usted desee.
- ✓ **Garantía “sin disgustos”** – reemplazo de su producto protegido si ocurren cuatro fallas o más del producto en el transcurso de doce meses.
- ✓ **Reemplazo del producto** si su producto protegido no puede ser reparado.
- ✓ **Revisión anual de mantenimiento preventivo** a solicitud suya – sin costo adicional.
- ✓ **Ayuda rápida por teléfono** – lo que nosotros llamamos **Solución rápida** – apoyo por teléfono a cargo de un representante de Sears para todos los productos. Piense en nosotros como si fuéramos un “manual parlante para el propietario”.

- ✓ **Protección de sobrevoltaje** contra daños eléctricos debido a fluctuaciones de electricidad.
- ✓ **Protección por pérdida de comida, por un valor anual de \$250**, por cualquier pérdida de comida que sea como resultado de fallas mecánicas de cualquier refrigerador o congelador cubierto bajo la garantía.
- ✓ **Reembolso de la renta** si la reparación de su producto protegido tarda más de lo prometido.
- ✓ **10% de descuento** sobre el precio común por el servicio de reparación que no esté bajo protección, así como también las piezas relacionadas con el mismo que se hayan instalado.

Una vez adquirido el Contrato, tan sólo tiene que llamar para fijar la visita de servicio técnico. Usted puede llamar a cualquier hora, de día o de noche, o fijar una visita técnica en Internet.

El Contrato maestro de protección es una compra sin riesgo. Si por algún motivo usted lo cancela durante el período de la garantía del producto, le proveeremos un reembolso total. O un reembolso proporcional en cualquier momento posterior a la expiración del período de la garantía. ¡Adquiera hoy su Contrato maestro de protección!

**Se aplican algunas limitaciones y exclusiones. Para obtener precios e información adicional en EE.UU., llame al 1-800-827-6655.**

**\*La cobertura en Canadá varía en algunos artículos. Para obtener los detalles completos, llame a Sears Canada al 1-800-361-6665.**

### Servicio de Instalación de Sears

Para la instalación profesional de Sears de aparatos electrodomésticos, abridores de puertas de garaje, calentadores de agua y otros artículos principales del hogar, en los EE.UU. o en Canadá llame al **1-800-4-MY-HOME®**.

# GARANTÍA DE LOS ELECTRODOMÉSTICOS KENMORE

## GARANTÍA LIMITADA DE UN AÑO

Cuando este electrodoméstico haya sido instalado, operado y mantenido según las instrucciones provistas con el producto, si este electrodoméstico falla por defectos de material o de mano de obra dentro de un año a partir de la fecha de compra, llame al 1-800-4-MY-HOME® para gestionar la reparación libre de cargo.

Si este electrodoméstico es empleado para algún otro uso que no sea el doméstico familiar, esta garantía sólo tiene vigencia por 90 días a partir de la fecha de compra.

## ESTA GARANTÍA CUBRE SOLAMENTE LOS DEFECTOS DE MATERIAL Y MANO DE OBRA. SEARS NO PAGARÁ POR LO SIGUIENTE:

1. Los artículos no reutilizables que pueden gastarse por el uso normal, incluyendo, pero sin limitación, filtros, correas, focos y bolsas.
2. Un técnico de servicio para enseñarle al usuario cómo instalar, operar o mantener el producto adecuadamente.
3. Un técnico de servicio para limpiar o mantener este producto.
4. Daños a este producto o fallas del mismo en caso de no ser instalado, operado o mantenido conforme a todas las instrucciones provistas con el producto.
5. Daños a este producto o fallas del mismo como resultado de accidente, abuso, uso indebido o un uso diferente de aquel para el cual fue creado.
6. Daños a este producto o fallas del mismo causados por el uso de detergentes, limpiadores, productos químicos o utensilios diferentes de los recomendados en todas las instrucciones provistas con el producto.
7. Daños a piezas o sistemas o fallas de los mismos como resultado de modificaciones no autorizadas que se hayan efectuado en este producto.

## EXCLUSIÓN DE GARANTÍAS IMPLÍCITAS; LIMITACIÓN DE RECURSOS

El único y exclusivo recurso del cliente según los términos de esta garantía limitada será el de reparar el producto según se estipula en la presente. Las garantías implícitas, incluyendo las garantías de comerciabilidad o de capacidad para un propósito particular, serán limitadas a un año o al período más corto permitido por ley. Sears no se hará responsable por daños incidentales o consecuentes. Algunos estados y provincias no permiten la exclusión o limitación de daños incidentales o consecuentes, o limitaciones acerca de cuánto debe durar una garantía implícita de comerciabilidad o capacidad, de modo que las limitaciones o exclusiones arriba mencionadas pueden no aplicarse en su caso.

Esta garantía se aplica sólo mientras este electrodoméstico se usa en los Estados Unidos y Canadá.

Esta garantía le otorga derechos legales específicos, y es posible que usted tenga también otros derechos, los cuales varían de un estado a otro.

**Sears, Roebuck and Co.**  
**Dept. 817WA, Hoffman Estates, IL 60179**  
**Sears Canada Inc.**  
**Toronto, Ontario, Canada M5B 2B8**

## REGISTRO DEL PRODUCTO

En el espacio a continuación, anote el número completo de modelo y serie así como la fecha de compra. Usted puede encontrar esta información en la etiqueta con el número de modelo y de serie ubicada en el producto.

Tenga esta información disponible para facilitarle la obtención de asistencia o servicio con prontitud siempre que llame a Sears con respecto a su electrodoméstico.

Número de modelo \_\_\_\_\_

Número de serie \_\_\_\_\_

Fecha de compra \_\_\_\_\_

**Guarde estas instrucciones y su comprobante de compra para referencia futura.**

# SEGURIDAD DE LA LAVAVAJILLAS

## Su seguridad y la seguridad de los demás es muy importante.

Hemos incluido muchos mensajes importantes de seguridad en este manual y en su electrodoméstico. Lea y obedezca siempre todos los mensajes de seguridad.



Este es el símbolo de advertencia de seguridad.

Este símbolo le llama la atención sobre peligros potenciales que pueden ocasionar la muerte o una lesión a usted y a los demás.

Todos los mensajes de seguridad irán a continuación del símbolo de advertencia de seguridad y de la palabra "PELIGRO" o "ADVERTENCIA". Estas palabras significan:

**⚠ PELIGRO**

Si no sigue las instrucciones de inmediato, usted puede morir o sufrir una lesión grave.

**⚠ ADVERTENCIA**

Si no sigue las instrucciones, usted puede morir o sufrir una lesión grave.

Todos los mensajes de seguridad le dirán el peligro potencial, le dirán cómo reducir las posibilidades de sufrir una lesión y lo que puede suceder si no se siguen las instrucciones.

## INSTRUCCIONES IMPORTANTES DE SEGURIDAD

**ADVERTENCIA:** Cuando use la lavavajillas siga precauciones básicas, incluyendo las siguientes:

- Lea todas las instrucciones antes de usar la lavavajillas.
- Use la lavavajillas únicamente para las funciones que fue diseñada.
- Use únicamente detergentes o agentes de enjuague recomendados para ser usados en las lavavajillas y manténgalos fuera del alcance de los niños.
- Al introducir los artículos para lavar:
  - 1) Coloque los artículos puntiagudos de manera que no dañen el sello de la puerta
  - 2) Introduzca los cuchillos filosos con los mangos hacia arriba para reducir el riesgo de cortaduras.
- No lave artículos de plástico que no lleven la indicación "lavables en la lavavajillas" u otra similar. Lea las recomendaciones del fabricante para los artículos de plástico que no lleven tal indicación.
- No toque el elemento de calefacción durante o inmediatamente después de usar la lavavajillas.
- No haga funcionar la lavavajillas a menos que todos los paneles estén colocados debidamente en su lugar.
- No juegue con los controles.
- No abuse, ni se siente ni se pare sobre la puerta, la tapa o sobre las canastas de la lavavajillas.
- Para reducir el riesgo de lesión, no permita que los niños jueguen dentro ni sobre la lavavajillas.
- Bajo ciertas condiciones, un sistema de agua caliente que no ha sido usado por dos semanas o más puede producir gas hidrógeno. EL GAS HIDRÓGENO ES EXPLOSIVO. Si el sistema de agua caliente no ha sido usado por ese período, abra todas las llaves de agua caliente y deje que corra el agua por varios minutos antes de usar la lavavajillas. Esto permitirá que los gases acumulados escapen. Debido a que el gas es inflamable, no fume ni encienda ninguna llama cerca de la llave durante este tiempo.
- Quite la puerta o la tapa del compartimiento de lavado cuando remueva o deje de usar para siempre una vieja lavavajillas.

**GUARDE ESTAS INSTRUCCIONES**

## ⚠ ADVERTENCIA



### Peligro de Vuelco

No use la lavavajillas antes de estar completamente instalada.

No se apoye en la puerta abierta.

No seguir estas instrucciones puede ocasionar heridas serias o cortaduras.

## ⚠ ADVERTENCIA



### Peligro de Choque Eléctrico

Conecte a tierra la lavavajillas.

Conecte el alambre de conexión a tierra al conector verde de conexión a tierra en la caja de conexiones.

No use extensiones eléctricas.

No seguir estas instrucciones puede ocasionar la muerte, incendio o choque eléctrico.

## INSTRUCCIONES DE CONEXIÓN A TIERRA

### ■ Para una lavavajillas con cable eléctrico y conexión a tierra:

La lavavajillas debe estar conectada a tierra. En caso de funcionamiento defectuoso o avería, la conexión a tierra reduce el riesgo de choque eléctrico al establecer una ruta de menor resistencia para la corriente eléctrica. La lavavajillas viene equipada con un cable eléctrico que tiene un conductor para conexión a tierra y un enchufe con conexión a tierra. El enchufe debe ser conectado a un contacto apropiado que esté instalado y conectado a tierra de acuerdo con todos los códigos y ordenanzas locales.

**ADVERTENCIA:** La conexión inadecuada del conductor de conexión a tierra puede resultar en riesgo de choque eléctrico. Pregunte a un electricista calificado o a un agente de servicio si no está seguro si la lavavajillas está adecuadamente conectada a tierra. No modifique el enchufe que viene con la lavavajillas. Si no cabe en el contacto, pida que un electricista calificado instale un contacto con tierra apropiado.

### ■ Para lavavajillas con conexión permanente:

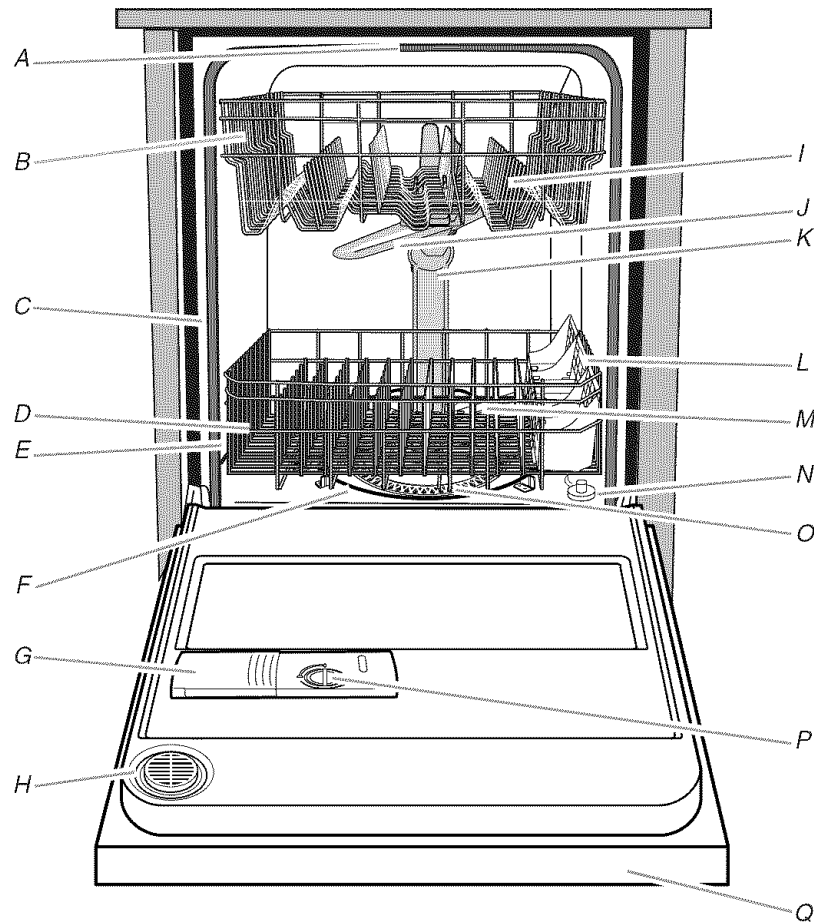
La lavavajillas debe estar conectada a un sistema de alambrado eléctrico con conexión a tierra de metal o a un conductor de conexión a tierra y conectado a la terminal de conexión a tierra o conductor en la lavavajillas.

## GUARDE ESTAS INSTRUCCIONES

- Instale su lavavajillas en un lugar protegido de las inclemencias del tiempo. Protéjala contra las temperaturas bajo cero para evitar posibles roturas de la válvula de llenado. Dichas roturas no están cubiertas por la garantía. Vea la sección "Almacenamiento" para obtener información acerca de cómo preparar su lavavajillas para el invierno.
- Instale y nivele la lavavajillas en un piso que pueda soportar su peso y en un área adecuada para su tamaño y uso.
- Retire todos los tapones de las mangueras y conectores (como la tapa en la salida de drenaje) antes de instalarla. Vea la información completa en las Instrucciones de Instalación.

# PIEZAS Y CARACTERÍSTICAS

Este manual cubre varios modelos diferentes. Las características de su lavavajillas pueden ser diferentes de las que se muestran a continuación.



A. Lavado del nivel superior

B. Canasta superior

C. Etiqueta de número de modelo y serie

D. Canasta inferior

E. Orificio de entrada de agua (en la pared de la tina)

F. Elemento calefactor

G. Depósito de detergente

H. Orificio de ventilación

I. Sujetadores seguros

J. Brazo rociador superior

K. Tubo de alimentación de agua ULTRA FLOW™

L. Canastilla para cubiertos

M. Brazo rociador inferior

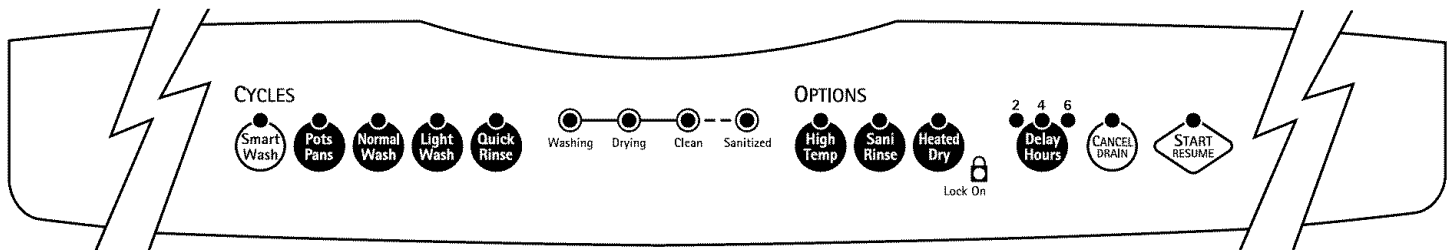
N. Flotador de protección de sobrellenado

O. Módulo ULTRA WASH®

P. Depósito del agente de enjuague

Q. Panel de control

## Panel de control



## Sistema de remoción de suciedad ULTRA WASH®

El sistema de remoción de suciedad ULTRA WASH® le brinda platos limpios y relucientes, empleando el menor tiempo posible y la menor cantidad de energía. El sistema de remoción de suciedad ULTRA WASH® incluye:

- Un sistema de Filtración de Triple Acción que filtra intermitentemente la suciedad del agua de lavado eliminando así la necesidad de refregar la vajilla.

- Un sensor de suciedad óptico ULTRA WASH® que detecta el nivel de suciedad y la cantidad de detergente que aparece en el agua de lavado y ajusta los ciclos según sea necesario.
- Un Control Automático de Temperatura (CAT) que asegura la temperatura apropiada del agua según el ciclo de lavado seleccionado, el tamaño de la carga de vajilla y el nivel de suciedad de la carga.

### Introducción del ciclo de lavado smartwash™

#### Cómo funciona el ciclo de lavado smartwash™ (Lavado inteligente)

Cuando se selecciona el ciclo smartwash™, se ahorra energía y agua ajustando el ciclo de lavado según sea necesario.

- Los sensores detectan el tamaño de la carga de lavado, el nivel de suciedad y la temperatura del agua en la lavavajillas.
- Los sensores ajustan automáticamente la temperatura y la cantidad de agua usada para la carga.

Alrededor de una vez al año esta lavavajillas calibrará automáticamente el sensor según la calidad del agua.

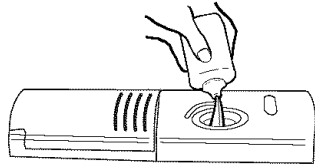
**IMPORTANTE:** Después de la instalación en su hogar, el primer ciclo de lavado se ajustará para incluir 2 enjuagues adicionales y así calibrar el sensor de suciedad óptico. Para que se produzca un calibrado adecuado, el primer ciclo no deberá ser interrumpido. Si este ciclo de calibrado se cancela o detiene antes de que se encienda la luz de limpio al final del ciclo, el próximo ciclo de lavado repetirá este calibrado del sensor.

## GUÍA DE PUESTA EN MARCHA

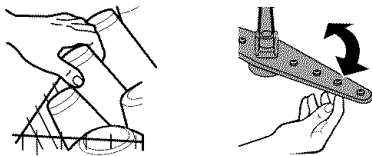
Antes de usar su lavavajillas, quite todos los materiales de embalaje. Lea todo este Manual de uso y cuidado. Usted encontrará información de seguridad importante, así como consejos útiles para la operación.

### El uso de su nueva lavavajillas

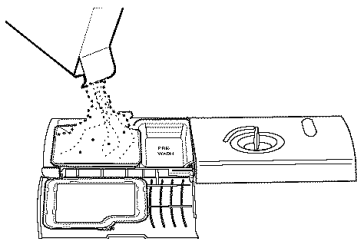
1. El agente de enjuague es esencial para un buen secado. Asegúrese de llenar el depósito antes de usar su nueva lavavajillas. Cada llenado durará de 1 a 3 meses según el uso.



2. Quite los pedazos grandes de restos de alimentos y otros objetos duros (palillos o huesos) de los platos.
3. Cargue adecuadamente la lavavajillas. (Consulte "Cómo cargar la lavavajillas".) Cargue los platos con espacio entre ellos para que el agua alcance las superficies con suciedad. Asegúrese de que nada impida que el (los) brazo(s) rociador(es) gire(n) libremente.

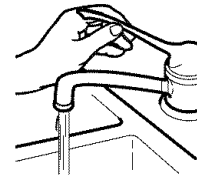


4. Agregue detergente. Siempre use un detergente de marca de alta calidad. (Consulte "Cómo usar la lavavajillas".)

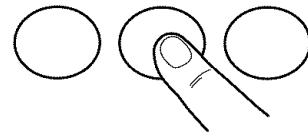


5. Empuje la puerta cerrándola con firmeza. La puerta queda asegurada automáticamente.

6. Deje correr agua caliente en el fregadero que esté más cerca de su lavavajillas hasta que el agua salga caliente. (Consulte "Consejos para la eficiencia de la lavavajillas".) Cierre la llave del agua.



7. Oprima las selecciones de ciclo y opciones que desee. (Vea "Cómo usar la lavavajillas".)



8. Presione START/RESUME (Inicio/reanudar), o presione START/RESUME (inicio/reanudar) para repetir el mismo ciclo y opciones que en el ciclo previo.

**IMPORTANTE:** La luz de Start/Resume (inicio/reanudar) comenzará a destellar si se abre la puerta durante un ciclo. Los cortes de corriente durante un ciclo también pueden hacer que la luz de Start/Resume destelle. Presione START/RESUME (inicio/reanudar) para continuar un ciclo.





# CÓMO CARGAR LA LAVAVAJILLAS

## Sugerencias para cargar la lavavajillas

- Quite los restos de alimentos, huesos, palillos y otros artículos duros de los platos. Para conservar agua, energía y ahorrar tiempo, no es necesario enjuagar los platos antes de ponerlos en la lavavajillas.

**NOTA:** Se recomienda preenjuagar la vajilla sucia con productos a base de tomate para evitar que se manche la vajilla.

El módulo de lavado quita las partículas de alimentos del agua. El módulo contiene un sistema de filtración de triple acción que filtra intermitentemente la suciedad del agua.

**NOTA:** Si objetos duros tales como semillas de frutas, nueces y cáscara de huevo entran en el módulo de lavado, usted podrá oír cuando el material está siendo molido, triturado o podrá escuchar zumbidos. Para evitar daños a la lavavajillas, no permita que objetos metálicos (tales como los tornillos de los mangos de ollas) se introduzcan en el módulo de lavado.

- Para lograr un mejor secado, el agua debe escurrirse de todas las superficies.
- Es importante que el rociado de agua alcance todas las superficies sucias.
- Coloque los platos de manera que no estén amontonados o superpuestos de ser posible.
- Preste especial cuidado cuando cargue ollas y cacerolas pesadas. Los artículos pesados pueden dañar el interior de la puerta si se dejan caer o se golpean.
- Asegúrese que las tapas de ollas y los mangos, moldes para pizza, moldes para galletas, etc., no interfieran con la rotación del brazo rociador.
- Conserve agua, energía y ahorre tiempo de enjuague a mano haciendo correr un ciclo de enjuague para mantener los platos húmedos, si usted no planea lavarlos pronto. Los alimentos tales como los huevos, arroz, pasta, espinaca y cereales cocidos pueden ser difíciles de eliminar si llegan a secarse después de un tiempo.
- Coloque los objetos de manera que su parte cóncava mire hacia abajo para una mejor limpieza y para que el agua se escurra.

## Consejos para el funcionamiento silencioso

Para evitar ruidos descomunales o estrepitosos durante el funcionamiento:

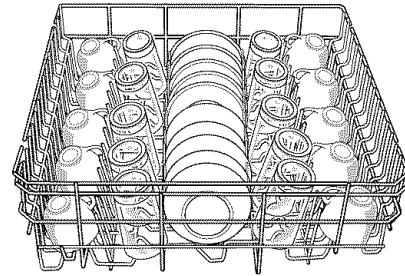
- Asegúrese de que los objetos livianos estén firmes en las canastas.
- Asegúrese de que las tapas y los mangos de las ollas, los moldes para pizza, los moldes para galletas, etc. no toquen el interior de las paredes ni interfieran con la rotación del (de los) brazo(s) rociador(es).
- Coloque los platos de manera que no se toquen entre sí.

**NOTA:** Para modelos empotrados, mantenga los tapones de desagüe del fregadero cerrados mientras la lavavajillas esté funcionando para evitar que el ruido se pase por el conducto de desagüe.

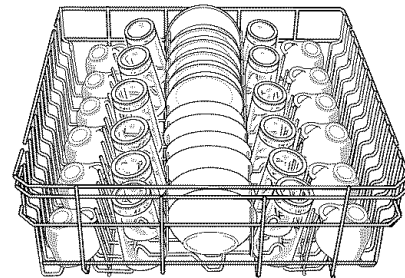
## Cómo cargar la canasta superior

La canasta superior se ha diseñado para tazas, vasos y artículos pequeños. Muchos artículos, hasta de 9" (22 cm), caben en la canasta superior. (Vea los siguientes modelos recomendados de carga.)

**NOTA:** Las características de la canasta de su lavavajillas pueden ser diferentes de las ilustraciones que siguen.



10 puestos

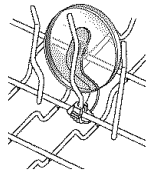


12 puestos

- Coloque los objetos de manera que su parte cóncava mire hacia abajo para la limpieza y para que el agua se escurra.
- Coloque los vasos únicamente en la canasta superior. La canasta inferior no está diseñada para vasos. Pueden dañarse.
- Coloque las tazas y vasos en las hileras entre las puntas. Si los coloca sobre las puntas pueden romperse o terminar con manchas de agua.
- Los artículos de porcelana, de cristal y otros objetos delicados no deben rozarse entre sí durante el lavado. Pueden dañarse.
- Coloque los objetos ligeros de plástico sólo en la canasta superior. Se recomienda sólo artículos de plástico marcados como "lavable en la lavavajillas".
- Coloque los artículos de plástico de manera tal que la fuerza del rociado no los mueva durante el ciclo de lavado.
- Para evitar que se despostillen, no deje que los artículos de cristal toquen otros artículos.
- Los tazones pequeños, las cacerolas y otros utensilios pueden ser colocados en la canasta superior. Coloque los tazones en la sección central para lograr una mejor estabilidad.

## Sujetadores seguros

Los sujetadores seguros sirven para sostener los artículos livianos de plástico tales como tazas, tapas o tazones en su lugar durante el lavado.



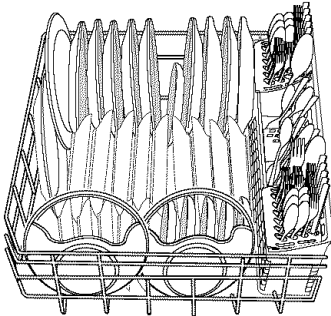
### Para mover un sujetador

1. Jale el sujetador hacia arriba y fuera de la punta.
2. Vuelva a colocar el sujetador en otra punta.

## Cómo cargar la canasta inferior

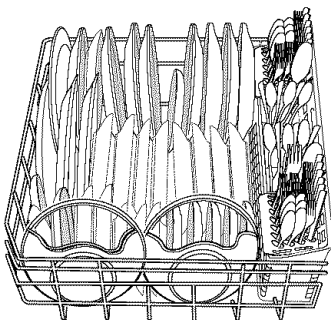
La canasta inferior está diseñada para platos, ollas, cacerolas y utensilios. Muchos artículos, hasta de 13" (33 cm) de altura, caben en la canasta inferior. (Vea los siguientes modelos recomendados de carga.)

**NOTA:** Las características de la canasta de su lavavajillas pueden ser diferentes de las ilustraciones que siguen.



10 puestos

- No ponga vasos, tazas u objetos de plástico livianos en la canasta inferior. Coloque los artículos pequeños en la canasta inferior únicamente si están seguros en su lugar.
- Coloque los platos, tazones de sopa, etc. entre las puntas.
- Traslape los bordes de los platos cuando tenga cargas voluminosas.
- Coloque los tazones de sopa, de cereal y tazones para servir en la canasta de diferentes maneras, dependiendo de sus tamaños y formas. Coloque los tazones firmemente entre las hileras de puntas. No amontone los tazones porque el rociador no alcanzará todas las superficies.



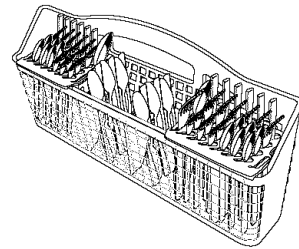
12 puestos

- Coloque los moldes para galletas, moldes para pasteles y otros objetos grandes en los costados y en la parte posterior. El colocar tales objetos en la parte del frente puede impedir que el rociado de agua alcance el depósito de detergente.
- Asegure las ollas y cacerolas con suciedad profunda boca abajo en la canasta.
- Asegúrese de que los mangos de las ollas y otros objetos no impidan la rotación del (de los) brazo(s) rociador(es). El (los) brazo(s) rociador(es) debe(n) moverse libremente.
- No coloque objetos entre la canasta inferior y el costado de la tina de la lavavajillas. Pueden bloquear el orificio de admisión del agua.

## Cómo llenar la canastilla de los cubiertos

Llene la canastilla de cubiertos mientras ésta se encuentre en la canasta inferior o sáquela para llenarla en un aparador o mesa.

**IMPORTANTE:** Coloque siempre los objetos puntiagudos (cuchillos, pinchos, etc.) con las puntas hacia abajo.



Mezcle los artículos en cada sección de la canastilla, algunos con la punta hacia arriba y otros hacia abajo para evitar apilamientos. El rociador no puede alcanzar los objetos apilados.



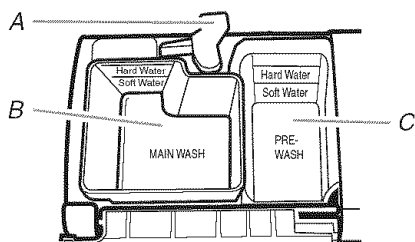
### NOTAS:

- No coloque cubiertos de plata o plateados con acero inoxidable. Estos metales pueden dañarse con el roce entre sí durante el lavado.
- Algunos alimentos (tales como la sal, vinagre, productos lácteos, jugos de frutas, etc.) pueden picar o corroer los cubiertos. Páselos por un ciclo de enjuague si no tiene una carga completa para lavar de inmediato.
- Descargue o quite la canastilla antes de descargar las canastas a fin de evitar que salpiquen gotitas de agua sobre los cubiertos.

# CÓMO USAR LA LAVAVAJILLAS

## Depósito del detergente

El depósito del detergente tiene dos secciones. La sección de prelavado más pequeña vierte el detergente en la lavavajillas cuando usted cierra la puerta. La sección más grande de lavado principal automáticamente vierte el detergente en la lavavajillas durante el ciclo de lavado. (Vea las “Tablas de selección de ciclos”.)



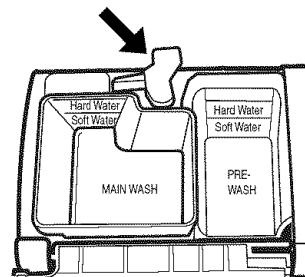
A. Seguro de la tapa  
B. Sección de lavado principal  
C. Sección de prelavado

- Use únicamente detergentes para lavavajillas automáticas. Otros detergentes pueden producir espuma en exceso, que puede derramarse fuera de la lavavajillas y reducir el rendimiento del lavado.
- Agregue el detergente justo antes de comenzar el ciclo.
- Guarde el detergente bien cerrado en un lugar fresco y seco. El detergente para lavavajillas automáticas produce mejores resultados cuando está fresco.

**NOTA:** No use detergente con un ciclo de Quick Rinse (enjuague rápido).

### Llenado del depósito

1. Si la tapa del depósito está cerrada, abra la tapa moviendo el seguro de la misma hacia la derecha.



2. Agregue la cantidad correcta de detergente en la sección de lavado principal del depósito de acuerdo con la siguiente tabla. Si usa un detergente en pastilla, deberá introducirlo en la sección de lavado principal. (Vea “Cuánto detergente debe usar”.)
3. Agregue la cantidad correcta de detergente en la sección de prelavado del depósito, si fuera necesario, de acuerdo con la siguiente tabla.
4. Cierre la tapa del depósito y trábela presionando la tapa directamente arriba de su seguro.

Es normal que la tapa se abra parcialmente cuando se vierte el detergente.

**NOTA:** Vea las “Tablas de selección de ciclos” para saber qué sección llenar dependiendo del ciclo seleccionado.

### Cuánto detergente debe usar

- La cantidad de detergente que debe usar depende del nivel de suciedad de la vajilla, de la dureza del agua y del tipo de detergente. Si usa muy poco, los platos no quedarán limpios. Si usa demasiado en agua blanda, las piezas de cristal quedarán manchadas.
- La dureza del agua puede cambiar durante un período de tiempo. Infórmese sobre el nivel de dureza del agua de su localidad, preguntando al representante de ventas de Sears, a la tienda comercial de agua, a la compañía de ablandadores de agua o al departamento de suministro de agua de su localidad.

### Recomendaciones de llenado del depósito de detergente según el nivel de suciedad de la carga y la dureza del agua

| Dureza del agua                                     | Suciedad leve o preenjuagado                                       |  | Suciedad normal  |  | Suciedad profunda                             |   |
|---|--|--|--|--|---|---|
|   | Sección de lavado principal  | Sección de prelavado   | Sección de lavado principal  | Sección de prelavado   | Sección de lavado principal                   | Sección de prelavado                          |
| <b>Blanda</b><br>(0-2 granos por galón de EE.UU.)   | 4 cdtas (20 mL)<br>Llene hasta la línea Soft Water (agua blanda)   | Vacío  | 6 cdtas (30 mL)<br>Llene pasando la línea Soft Water (agua blanda) | 2 cdtas (10 mL)<br>Llene hasta la línea Soft Water (agua blanda) | 9 cdtas (45 mL)<br>Llene la taza por completo | 7 cdtas (35 mL)<br>Llene la taza por completo |
| <b>Media</b><br>(2-6 granos por galón de EE.UU.)    | 6 cdtas (30 mL)<br>Llene pasando la línea Soft Water (agua blanda) | 2 cdtas (10 mL)<br>Llene hasta la línea Soft Water (agua blanda) | 6 cdtas (30 mL)<br>Llene pasando la línea Soft Water (agua blanda) | 4 cdtas (20 mL)<br>Llene hasta la línea Hard Water (agua dura)   | 9 cdtas (45 mL)<br>Llene la taza por completo | 7 cdtas (35 mL)<br>Llene la taza por completo |
| <b>Dura</b><br>(7 granos o más por galón de EE.UU.) | 8 cdtas (40 mL)<br>Llene hasta la línea Hard Water (agua dura)     | 4 cdtas (20 mL)<br>Llene hasta la línea Hard Water (agua dura)   | 9 cdtas (45 mL)<br>Llene la taza por completo                      | 7 cdtas (35 mL)<br>Llene la taza por completo                    | 9 cdtas (45 mL)<br>Llene la taza por completo | 7 cdtas (35 mL)<br>Llene la taza por completo |

**NOTA:** Los niveles de llenado que se indican corresponden a los detergentes en polvo estándares. Los niveles pueden variar si usted usa detergente líquido o en polvo concentrado. Los detergentes en pastilla deberán colocarse en la sección de lavado principal del depósito de detergente con la tapa cerrada. Siga las instrucciones del paquete cuando use un detergente líquido para lavavajillas, un detergente en polvo concentrado o un detergente en pastilla.

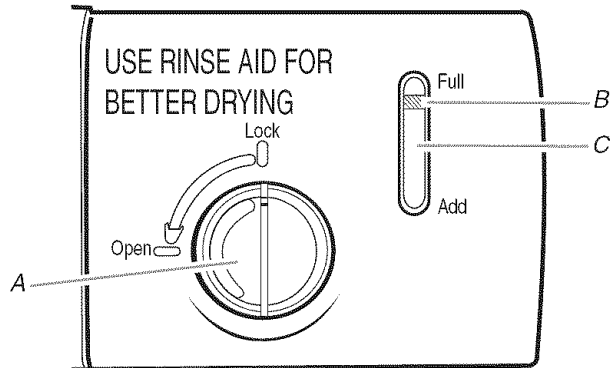
## Depósito del agente de enjuague

**IMPORTANTE:** Su lavavajillas está diseñada para usar un agente de enjuague líquido. El uso de agentes de enjuague mejora mucho el secado al permitir que el agua se escurra de la vajilla después del último enjuague. También evitan que el agua forme gotitas que al secar quedan como manchas o rayas. No use agentes de enjuague sólidos o en barra.

### Llenado del depósito

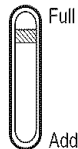
El depósito del agente de enjuague tiene capacidad para 5 onzas (150 mL) de agente de enjuague. En condiciones normales, esta cantidad durará aproximadamente de 1 a 3 meses.

1. Asegúrese de que la puerta de la lavavajillas esté completamente abierta.
2. Gire la perilla del depósito hacia "Open" (abierto) y levántela hacia afuera.



A. Perilla del depósito  
B. Indicador  
C. Ventana del indicador

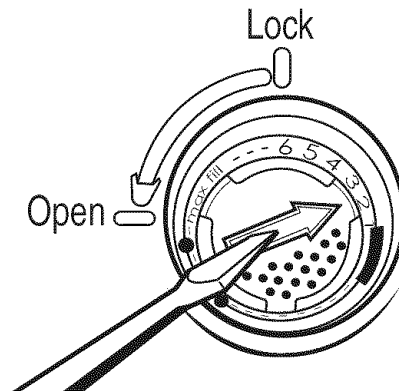
3. Vierta el agente de enjuague en la abertura hasta que el indicador esté en "Full" (lleno). No llene en exceso. (Cuando el indicador del agente de enjuague baje al nivel "Add" [agregar], agregue más agente de enjuague.)



4. Limpie todo el agente de enjuague derramado con un paño húmedo.
5. Vuelva a colocar la perilla en la abertura y gírela a la posición "Lock" (bloquear).

### Ajuste del agente de enjuague

La cantidad de agente de enjuague que se coloque en el enjuague final puede regularse. Para casi todos los tipos de agua, el ajuste de fábrica de 2 dará buenos resultados. Si tiene agua dura o nota círculos o manchas de calcio en sus vasos o platos, pruebe con un ajuste más alto.



### Para regular el ajuste

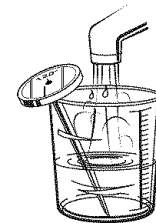
1. Saque la perilla del depósito.
2. Gire el regulador con forma de flecha que se encuentra dentro del depósito hasta alcanzar el ajuste deseado usando sus dedos o insertando un destornillador de hoja plana en el centro de la flecha y haciéndola girar.
3. Vuelva a colocar la perilla del depósito.

## Consejos para la eficiencia de la lavavajillas

El agua caliente disuelve y activa el detergente para lavavajillas. El agua caliente también disuelve la grasa que se encuentra en los platos y ayuda a secar los vasos sin manchas. Para lograr óptimos resultados en el lavado de la vajilla, el agua deberá tener una temperatura de 120°F (49°C) al entrar en la lavavajillas. Si la temperatura del agua está demasiado baja, es posible que la vajilla no se lave bien. El agua demasiado caliente puede dificultar la eliminación de algunos tipos de suciedad e impedir la acción de ciertos ingredientes en el detergente. Si el calentador de agua está ubicado lejos de la lavavajillas, quizás sea necesario dejar correr el agua caliente en el grifo que esté más cercano a la lavavajillas para minimizar la cantidad de agua fría en la tubería de agua.

### Para revisar la temperatura del agua

1. Deje correr el agua caliente del grifo que está más cerca de su lavavajillas, por lo menos un minuto.
2. Coloque un termómetro de caramelo o de carne en una taza medidora de vidrio.



3. Verifique la temperatura en el termómetro mientras el agua está vertiéndose en la taza.

## Consejos de eficiencia adicionales

- Para ahorrar agua, energía y tiempo, no enjuague los platos antes de ponerlos en la lavavajillas.
- Use la función de retraso para poner a funcionar su lavavajillas durante las horas de menos consumo de energía. Las empresas locales de servicios públicos recomiendan que se evite un alto consumo de energía en determinadas horas del día.
- Durante el verano, ponga a funcionar su lavavajillas por la noche. Esto reduce la acumulación de calor en la cocina durante el día.
- Use un agente de enjuague para mejorar el secado.
- Use ciclos u opciones que añadan calor extra a la porción de lavado o enjuague del ciclo únicamente cuando sea necesario.
- Si su casa está equipada con un ablandador de agua, tal vez quiera evitar comenzar a usar la lavavajillas durante la regeneración del ablandador, ya que esto puede contribuir a un rendimiento de lavado insuficiente.

## Tablas de selección de ciclos

Seleccione el ciclo de lavado y las opciones que desee. U oprima START/RESUME (Inicio/reanudar) para usar el mismo ciclo y opciones del ciclo previo.

**NOTA:** Si el último ciclo que usted terminó fue un ciclo de enjuague, cuando oprima START/RESUME la lavavajillas hará funcionar el último ciclo completo de lavado y opciones que usted seleccionó.

Un "●" muestra las etapas que tiene cada ciclo.

El uso de agua se muestra en galones de EE. UU./litros.

Estos modelos cumplen con las instrucciones de ENERGY STAR® para la eficiencia de energía.

El tiempo del ciclo incluye el tiempo de secado. Un asterisco ( \* ) al lado del tiempo del ciclo, Lavado principal y Enjuague final indica que el tiempo del ciclo podría durar más, según la temperatura del agua que entra en la lavavajillas.

**IMPORTANTE:** Estos ciclos con sensor pueden durar varias horas dependiendo del ciclo seleccionado, la temperatura del agua, el nivel de suciedad, y volumen de vajilla detectado.

### Smart Wash/Lavado inteligente

Use este ciclo para los tipos de suciedad de todos los días cuando lave cargas de vajilla llenas o parcialmente llenas. Durante este ciclo, los sensores determinarán la temperatura del agua, el tiempo de lavado y la cantidad de agua basados en el nivel de suciedad y el tamaño de la carga de vajilla. Durante el lavado principal, la acción de lavado hará pausas repetidamente por unos cuantos segundos.



Use ambas secciones del depósito de detergente cuando lave una carga de vajilla llena con suciedad pesada.



Use una sección del depósito de detergente cuando lave cargas de vajilla parcialmente llenas con suciedad ligera.

| Carga de vajilla | Nivel de suciedad detectado | Pre-lavado | Lavado Principal*    | Enjuague o Purga † | Enjuague final*      | Secado | Tiempo promedio* (min) | Uso de agua (gal/L)   |
|------------------|-----------------------------|------------|----------------------|--------------------|----------------------|--------|------------------------|-----------------------|
| Llena            | Pesado                      | ●          | ●<br>145°F<br>(63°C) | ●<br>Enjuague      | ●<br>140°F<br>(60°C) | ●      | 145*                   | 6,9-7,8/<br>26,1-29,5 |
|                  | Nominal                     | ●          | ●<br>119°F<br>(48°C) | ●<br>Purga         | ●<br>140°F<br>(60°C) | ●      | 115*                   | 5,9/22,3              |
|                  | Ligero                      |            | ●<br>115°F<br>(46°C) | ●<br>Purga         | ●<br>140°F<br>(60°C) | ●      | 105*                   | 4,5/17,0              |
| Parcial          | Pesado                      | ●          | ●<br>145°F<br>(63°C) | ●<br>Purga         | ●<br>140°F<br>(60°C) | ●      | 130*                   | 5,9-6,8/<br>22,3-25,7 |
|                  | Nominal                     | ●          | ●<br>119°F<br>(48°C) | ●<br>Purga         | ●<br>140°F<br>(60°C) | ●      | 105*                   | 5,9/22,3              |
|                  | Ligero                      |            | ●<br>115°F<br>(46°C) | ●<br>Purga         | ●<br>140°F<br>(60°C) | ●      | 105*                   | 4,5/17,0              |

### Pots Pans/Ollas, Cacerolas

Use este ciclo para ollas, cacerolas y vajilla común con suciedad profunda y en caso de agua dura\*\*.



Use ambas secciones del depósito de detergente.

| Pre-lavado | Lavado Principal*    | Pre-Enjuague † | Enjuague final*      | Secado | Tiempo promedio* (min) | Uso de agua (gal/L) |
|------------|----------------------|----------------|----------------------|--------|------------------------|---------------------|
| ●          | ●<br>140°F<br>(60°C) | ●              | ●<br>140°F<br>(60°C) | ●      | 125*                   | 6,9-7,8/<br>26-30   |

### Normal Wash/Lavado normal

Use este ciclo para cargas que tengan cantidades normales de suciedad. (La etiqueta de consumo de energía está basada en este ciclo.) Durante el lavado de ciclo, la acción de lavado hará pausas repetidamente por unos cuantos segundos.

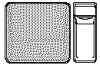


Use ambas secciones del depósito de detergente.

| Pre-lavado | Lavado Principal*    | Pre-Enjuague † | Enjuague final*      | Secado | Tiempo promedio* (min) | Uso de agua (gal/L) |
|------------|----------------------|----------------|----------------------|--------|------------------------|---------------------|
| ●          | ●<br>115°F<br>(46°C) | ●              | ●<br>140°F<br>(60°C) | ●      | 110*                   | 4,1-7,8/<br>15,5-30 |

### Light Wash/Lavado ligero

Use este ciclo para vajilla de porcelana y cristalería. Este ciclo usa un lavado ligero y un secado delicado. Durante el secado caliente, el elemento calefactor se enciende y se apaga.

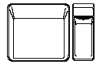


Use la sección principal del depósito de detergente.

| Pre-lavado | Lavado Principal*    | Pre-enjuague† | Enjuague final*      | Secado | Tiempo promedio* (min) | Uso de agua (gal/L) |
|------------|----------------------|---------------|----------------------|--------|------------------------|---------------------|
| ●          | ●<br>115°F<br>(46°C) | ●             | ●<br>135°F<br>(57°C) | ●      | 105*                   | 4,5-6,8/<br>17-26   |

### Quick Rinse/Enjuague rápido

Use este ciclo para enjuagar platos, vasos y cubiertos que no van a lavarse de inmediato.



No use detergente con este ciclo.

| Lavado | Lavado Principal | Enjuague o Purga | Enjuague final | Secado | Tiempo (min) | Uso de agua (gal/L) |
|--------|------------------|------------------|----------------|--------|--------------|---------------------|
|        |                  | ●<br>Enjuague    |                |        | 10           | 1,8-2,3/<br>6,8-8,7 |

†Una pequeña cantidad de agua pasa por la bomba para quitar las partículas de suciedad entre el lavado principal y el enjuague final.

\*Si la temperatura del agua de entrada es más baja que la temperatura recomendada, o si la suciedad es muy profunda, el ciclo lo compensará automáticamente agregando tiempo, calor y agua, según sea necesario.

\*\*Se entiende por agua dura el agua con 7 granos o más por galón de EE.UU.

**NOTA:** El sensor en su lavavajillas monitorea el nivel de suciedad. El tiempo del ciclo y/o el uso del agua pueden ser diferentes de los números anteriores ya que el sensor se ajusta para obtener un rendimiento de lavado óptimo.

### Cómo cancelar un ciclo

1. Oprima CANCEL/DRAIN (Cancelar/Desaguar). La luz de cancelar/desaguar se enciende.
2. La lavavajillas comienza un desagüe de 2 minutos (de ser necesario). Deje que la lavavajillas complete el desagüe. La luz se apaga al cabo de los 2 minutos. La puerta deberá estar cerrada para que la lavavajillas desagüe.

### Para detener el desagüe

Usted puede oprimir CANCEL/DRAIN (Cancelar/Desaguar) nuevamente para detener el desagüe. Acuérdesse de desaguar la lavavajillas antes de comenzar un nuevo ciclo.

### Para despejar los indicadores

Antes de poner la lavavajillas en marcha, oprima CANCEL/DRAIN (Cancelar/Desaguar) para despejar todas las opciones y ciclos.

## Para cambiar un ciclo o una selección

### Durante el primer minuto de un ciclo

1. Seleccione un nuevo ciclo y/u opciones.
2. Revise los depósitos de detergente. Deben ser llenados correctamente para el nuevo ciclo.
3. La luz de Start/Resume destellará cuando se abra la puerta. Cerciórese de que la puerta esté cerrada.
4. Presione START/RESUME (Inicio/Reanudar).

### Después del primer minuto de un ciclo

1. Oprima CANCEL/DRAIN (Cancelar/Desaguar). La luz de Cancel/Drain (Cancelar/Desaguar) se enciende. Su lavavajillas inicia un desagüe de 2 minutos (de ser necesario). Deje que la lavavajillas complete todo el desagüe.
2. Revise los depósitos de detergente. Deben ser llenados correctamente para el nuevo ciclo.
3. Cerciórese de que la puerta esté cerrada. La luz de Start/Resume (Inicio/Reanudar) destellará.
4. Seleccione un nuevo ciclo y/u opciones.
5. Presione START/RESUME (Inicio/Reanudar).

## Para agregar artículos durante un ciclo

Usted puede agregar un artículo en cualquier momento antes de que comience el lavado principal. Abra la puerta y revise el depósito del detergente. Si la tapa está aún cerrada, usted puede agregar artículos.

### Para agregar artículos

1. Abra la puerta ligeramente para detener el ciclo. Espere a que la acción de rociado se detenga antes de abrir la puerta. La luz de Start/Resume (Inicio/Reanudar) destellará.
2. Abra la puerta. Si la tapa del depósito del detergente está aún cerrada, agregue el artículo.
3. Cierre la puerta con firmeza hasta que quede asegurada. La luz de Start/Resume (Inicio/Reanudar) destellará.
4. Presione START/RESUME (Inicio/Reanudar).

**IMPORTANTE:** Si la opción Lock On (Seguro de los Controles) ha sido seleccionada, saque el seguro (vea la sección Seguro de los Controles en "Selecciones de opciones") o la luz de Start/Resume (Inicio/Reanudar) continuará destellando.

## Selecciones de opciones

Puede personalizar sus ciclos al oprimir una opción. Si cambia de opinión, oprima nuevamente la opción para desactivarla, o seleccione otra opción diferente si lo desea.

Usted puede cambiar una opción en cualquier momento antes de que dicha opción seleccionada comience. Por ejemplo, usted puede oprimir una opción de secado sin calor en cualquier momento antes de que comience el secado.

Oprima START/RESUME (Inicio/reanudar) para usar el mismo ciclo y opción (opciones) del ciclo de lavado previo.

**NOTA:** Si el último ciclo que usted terminó fue uno de enjuague, cuando usted oprime START/RESUME (Inicio/reanudar), la lavavajillas pone en funcionamiento el último ciclo completo de lavado y opciones.

## High Temp/Temperatura Alta

Seleccione esta opción para aumentar la temperatura del agua durante las etapas de lavado del ciclo. High Temp (Temperatura Alta) eleva la temperatura del agua a 145°F (63°C), en el lavado principal. El agua caliente ayuda a mejorar los resultados de lavado. La función High Temp (Temperatura Alta) es útil cuando las cargas contienen suciedad rebelde de comida.

Esta opción puede agregar calor y tiempo de lavado al ciclo.

**NOTA:** High Temp (Temperatura Alta) es una opción que funciona con los ciclos de SMARTWASH™ (Lavado inteligente), Pots Pans (Ollas, Cacerolas) y Normal Wash (Lavado Normal).

## Sani Rinse/Enjuague sanitario

Seleccione esta opción para aumentar la temperatura del agua en el enjuague final a aproximadamente 155°F (68°C). Sani Rinse hace que aumente la temperatura y el tiempo de duración del ciclo de enjuague. Este enjuague con alta temperatura higieniza sus platos y su cristalería según el Estándar NSF/ANSI 184 para lavavajillas domésticas. Las lavavajillas residenciales certificadas no han sido diseñadas para los establecimientos con licencia para alimentos.

**NOTA:** Sani Rinse (Enjuague sanitario) es una opción con SMARTWASH™ (Lavado inteligente), Pots Pans (Ollas, Cacerolas), y Normal Wash (Lavado normal). Solamente estos ciclos de higienizado han sido designados para cumplir con los requisitos de NSF/ANSI.

## Heated Dry/Secado con calor

La opción de secado caliente, combinada con un agente de enjuague, le dará excelentes resultados de secado. La energía que usa el secado caliente cuesta unos pocos centavos por ciclo. La opción de secado caliente está encendida cuando la luz del botón de secado caliente está encendida. Para evitar daños, asegúrese de cargar los artículos de plástico en la canasta superior.

Puede apagar la opción de secado caliente presionando HEATED DRY (Secado con calor) para que se apague la luz. De todos modos, habrá artículos en la carga que no se secarán al final del ciclo.

**NOTA:** La opción de secado caliente se usa en todos los ciclos excepto el de Quick Rinse (Enjuague rápido).

## Lock On/Seguro de los Controles

Use este seguro para evitar el uso no intencional de la lavavajillas. También puede usar la opción de seguro de los controles para evitar cambios no intencionales de ciclos u opciones durante un ciclo.

Cuando la luz del LOCK ON (Seguro de los Controles) está encendida, todos los botones están desactivados.

**NOTA:** La puerta de la lavavajillas puede abrirse mientras los controles están con seguro. Aún así, el seguro debe estar desactivado y el botón de Start/Resume (Inicio/reanudar) presionado para reanudar el ciclo.

### Para activar el seguro

Oprima y sostenga HEATED DRY (Secado con calor) durante 4 segundos. LOCK ON (Seguro de los Controles) se ilumina.

Si usted oprime cualquier botón mientras su lavavajillas está con seguro, la luz se enciende y apaga 3 veces.

**NOTA:** Si se selecciona la opción de Secado con calor, la luz se apagará temporalmente hasta que se ilumine Lock On.

### Para desactivar el seguro

Oprima y sostenga HEATED DRY (Secado con calor) durante 4 segundos. La luz se apaga.

## Delay Hours/Horas de retraso

Seleccione esta opción para poner a funcionar su lavavajillas más tarde o durante las horas de menos consumo de energía. Se pueden agregar artículos a la carga en cualquier momento durante el retraso. Después de agregar los artículos, cierre la puerta firmemente hasta asegurarla y oprima START/RESUME (Inicio/reanudar) o el retraso no se reanudará.

### Para retrasar el inicio

1. Presione el botón de retraso para elegir el número de horas de retraso.
2. Seleccione un ciclo de lavado y opciones.
3. Oprima START/RESUME (Inicio/reanudar).

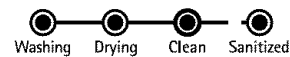
La lavavajillas inicia el ciclo dentro del número seleccionado de horas.

### NOTAS:

- Para cancelar el retraso y el ciclo, oprima CANCEL/DRAIN (Cancelar/desaguar).
- Para cancelar el retraso y comenzar el ciclo, presione START/RESUME (Inicio/reanudar).

## Indicadores de estado del ciclo

Siga de cerca el progreso de lavado de su lavavajillas con los Indicadores de estado del ciclo.



**NOTA:** Las características de su lavavajillas pueden ser diferentes de las que se muestran a continuación.

## Clean/Limpio

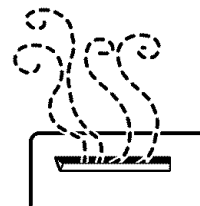
La luz de Clean (Limpio) se ilumina cuando se ha terminado un ciclo. La luz se apaga cuando usted presiona cualquier botón o cierra la puerta.

## Sanitized/Higienizado

Si usted selecciona la opción de Sani Rinse (Enjuague Sanitario), la luz de Sanitized (Higienizado) se ilumina cuando el ciclo de Enjuague Sanitario se ha terminado. Si su lavavajillas no higienizó sus platos adecuadamente, la luz se enciende y apaga al término del ciclo. Esto puede ocurrir si se interrumpe el ciclo o si la temperatura del agua de entrada es muy baja. La luz se apaga cuando usted presiona cualquier botón o cierra la puerta.

## Orificio de ventilación

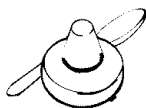
Durante los ciclos, el orificio de ventilación permite que los vapores salgan hacia la habitación. Entre ciclos, el orificio de ventilación permite la circulación del aire, reduciendo así la acumulación de olores.



**IMPORTANTE:** El vapor está caliente. No toque el orificio de ventilación durante el secado.

## Flotador de protección de sobrellenado

El flotador de protección de sobrellenado (ubicado en la esquina frontal derecha de la tina de la lavavajillas) evita que la lavavajillas se llene en exceso. Este dispositivo tiene que estar en su lugar para que la lavavajillas pueda funcionar.



Revise debajo del flotador si hay objetos que pudieran impedir que el protector suba o baje.

## CÓMO LAVAR ARTÍCULOS ESPECIALES

Si tiene dudas acerca del lavado de un artículo determinado, consulte con el fabricante para ver si se trata de un artículo lavable en la lavavajillas.

| Material                           | ¿Lavable en la lavavajillas? | Comentarios  |
|------------------------------------|------------------------------|--|
| Aluminio                           | <b>Sí</b>                    | La temperatura alta del agua y los detergentes pueden afectar el acabado del aluminio anodizado.   |
| Aluminio desechable                | <b>No</b>                    | No lave bandejas de aluminio desechables en la lavavajillas. Éstas podrían moverse durante el lavado y dejar marcas negras en los platos y otros objetos.  |
| Botellas y latas                   | <b>No</b>                    | Lave las botellas y latas a mano. Las etiquetas engomadas pueden soltarse y obstruir los brazos rociadores o la bomba y reducir el rendimiento de lavado.  |
| Hierro fundido                     | <b>No</b>                    | Se perderá el curado y el hierro se oxidará.   |
| Porcelana/Cerámica de gres         | <b>Sí</b>                    | Siempre consulte las recomendaciones del fabricante antes de lavar. Los diseños antiguos, pintados a mano o sobre glaseado se desteñirán. Los acabados dorados pueden perder su color o intensidad.  |
| Cristal                            | <b>Sí</b>                    | Siempre consulte las recomendaciones del fabricante antes de lavar. Algunos tipos de cristal de sosa pueden corroerse después de varias lavadas.   |
| Oro                                | <b>No</b>                    | Los cubiertos dorados perderán su color.   |
| Vidrio                             | <b>Sí</b>                    | Los vasos de leche se pondrán amarillentos luego de varias lavadas en la lavavajillas.   |
| Cuchillos con mango hueco          | <b>No</b>                    | Los mangos de algunos cuchillos están fijados a la hoja con adhesivos que pueden aflojarse al ser lavados en la lavavajillas.  |
| Peltre, latón, bronce              | <b>No</b>                    | Las temperaturas altas del agua y el detergente pueden decolorar o picar el acabado.   |
| Plásticos desechables              | <b>No</b>                    | No pueden resistir las temperaturas altas del agua y los detergentes.  |
| Plásticos                          | <b>Sí</b>                    | Siempre consulte las recomendaciones del fabricante antes de lavar. La capacidad de los objetos de plástico para resistir las temperaturas altas y los detergentes varía. Es recomendable colocar los objetos livianos, tales como tapas y mantequeras, sólo en la canasta superior. Objetos duros tales como refrigerantes y bandejas de sillas para bebés pueden colocarse en la canasta inferior. Cuando lave objetos de plástico en la canasta inferior, es recomendable usar un secado al aire. |
| Acero inoxidable                   | <b>Sí</b>                    | Haga correr un ciclo de enjuague si no va a lavar de inmediato. El contacto prolongado con los alimentos que contienen sal, vinagre, productos lácteos o jugos de fruta puede dañar el acabado.  |
| Plata Sterling o con baño de plata | <b>Sí</b>                    | Haga correr un ciclo de enjuague si no va a lavar de inmediato. El contacto prolongado con los alimentos que contienen sal, ácido o sulfuro (huevos, mayonesa y mariscos) puede dañar el acabado.  |
| Hojalata                           | <b>No</b>                    | Puede oxidarse.  |
| Artículos de madera                | <b>No</b>                    | Lávelos a mano. Consulte siempre las recomendaciones del fabricante antes de lavar. La madera no tratada puede deformarse, agrietarse o perder el acabado.   |

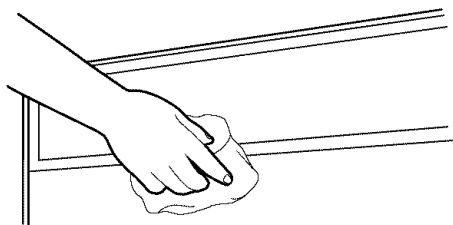


# CUIDADO DE LA LAVAVAJILLAS

## Limpieza

### Limpieza externa

En la mayoría de los casos, todo lo que se debe hacer es usar periódicamente un paño suave y húmedo o una esponja con un detergente suave para que el exterior de su lavavajillas se vea limpio y reluciente. Si el exterior de la lavavajillas es de acero inoxidable, se recomienda un limpiador de acero inoxidable.



### Limpieza interna

Los residuos minerales del agua dura pueden causar la acumulación de una película blanca en las superficies interiores, sobre todo inmediatamente debajo del área de la puerta.

No limpie el interior de la lavavajillas hasta que se haya enfriado. Quizás sea necesario usar guantes de hule. No utilice ningún tipo de limpiador que no sea el detergente para lavavajillas debido a que puede producir espuma o jabón en exceso.

#### Para limpiar el interior

Haga una pasta con el detergente en polvo de lavavajillas en una esponja húmeda y limpie.

○ Use detergente líquido de lavavajillas y limpie con una esponja húmeda.

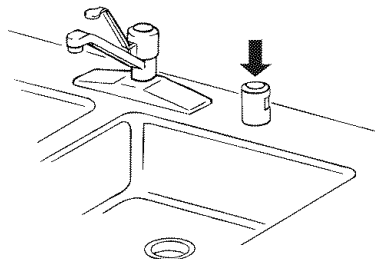
○ Consulte el procedimiento de enjuague con vinagre en la sección "Manchas y formación de películas en los platos" bajo "Solución de problemas".

**NOTA:** Ponga a funcionar un ciclo normal con detergente después de la limpieza interna.

## Purga de aire del desagüe

Revise la purga de aire del desagüe siempre que su lavavajillas no esté desagüando bien.

Algunas normas de plomería locales o estatales exigen que se instale una purga de aire del desagüe entre una lavavajillas empotrada y el sistema de desagüe de la casa. Si el desagüe de la casa está obstruido, la purga de aire del desagüe evita que el agua retroceda y se estanque en su lavavajillas.



La purga de aire del desagüe está por lo general ubicada encima del fregadero o en el mostrador cerca de la lavavajillas. Para adquirir una purga de aire del desagüe, llame al **1-800-4-MY-HOME®**. Pida la Pieza Número 300096.

**NOTA:** La purga de aire del desagüe es un dispositivo de plomería externo que no forma parte de su lavavajillas. La garantía proporcionada con su lavavajillas no cubre los costos de servicio técnico directamente asociados con la limpieza o reparación de una purga de aire del desagüe externa.

### Para limpiar la purga de aire del desagüe

Limpie la purga de aire del desagüe cada cierto tiempo para asegurar un desagüe apropiado de su lavavajillas. Siga las instrucciones de limpieza proporcionadas por el fabricante. Para la mayoría de tipos de purgas, usted tiene que levantar la tapa de cromo. Destornille la tapa de plástico. Luego revise si hay alguna acumulación de suciedad. Limpie si es necesario.

## Almacenamiento

### Cómo guardar la lavavajillas para el verano

Proteja su lavavajillas durante los meses de verano cerrando el suministro de agua y desconectando el suministro eléctrico que alimenta a la lavavajillas.

### Cómo acondicionar su lavavajillas para el invierno

Proteja su lavavajillas y su hogar contra los daños causados por el congelamiento de las tuberías de agua. Si deja su lavavajillas en una vivienda de temporada o si pudiera estar expuesta a temperaturas casi congelantes, haga acondicionar su lavavajillas para el invierno por un técnico autorizado.

---

# SOLUCIÓN DE PROBLEMAS

En primer lugar, pruebe las soluciones sugeridas aquí y posiblemente se evite el gasto de una visita de servicio técnico...

---

## La lavavajillas no está funcionando correctamente

---

### ■ La lavavajillas no funciona o se detiene durante un ciclo

¿Se ha cerrado bien la puerta y el pestillo ha enganchado?

¿Se ha seleccionado el ciclo correcto? Consulte "Tablas de selección de ciclos".

¿Hay suministro eléctrico para la lavavajillas? ¿Hay un fusible de la casa fundido o se disparó el cortacircuitos? Reemplace el fusible o reposicione el cortacircuitos. Si el problema continúa, llame a un electricista.

¿Se ha detenido el motor debido a una sobrecarga? El motor se reactiva automáticamente en unos minutos. Si no lo hace, llame al servicio técnico.

¿Está abierta la válvula de cierre del agua (si ha sido instalada)?

Es normal que en ciertos ciclos se produzcan pausas repetidamente por unos cuantos segundos durante el ciclo de lavado.

### ■ La luz de START/RESUME (inicio/reanudar) está titilando

¿Se ha abierto la puerta durante el ciclo o se interrumpió el suministro de energía? La luz de Start/Resume (Inicio/Reanudar) destellará cuando se abra la puerta durante un ciclo o puede destellar si se interrumpe la energía. Oprima START/RESUME (inicio/reanudar) para reanudar el ciclo. Cerciórese de que la puerta esté bien cerrada y asegurada.

### ■ Está destellando la luz de Clean (limpio)

La lavavajillas no está funcionando bien. Llame al servicio.

### ■ La lavavajillas no se llena de agua

¿Puede el flotador de protección de sobrellenado moverse hacia arriba o hacia abajo libremente? Oprima hacia abajo para liberarlo.

### ■ La lavavajillas pasa mucho tiempo en marcha

¿El agua que ingresa a la lavavajillas está lo suficientemente caliente? La lavavajillas toma más tiempo cuando calienta el agua. Consulte la sección "Consejos para la eficiencia de la lavavajillas".

En algunos ciclos de lavado y enjuague hay un retraso automático hasta que el agua alcanza la temperatura apropiada.

### ■ Queda agua en la lavavajillas

¿Se ha terminado el ciclo?

¿Se quitó el tapón del disco removible durante la instalación? (Vea "Instalación de la manguera de desagüe" en las Instrucciones de instalación.)

### ■ Queda detergente en la sección con tapa del depósito

¿Se ha terminado el ciclo?

¿Está el detergente sin grumos? Cambie el detergente si fuera necesario.

¿Está la canasta inferior instalada correctamente con los parachoques al frente (en algunos modelos)? Consulte la sección "Piezas y características". Si es necesario, instale nuevamente la canasta.

### ■ Residuos blancos aparecen en la parte frontal del panel de acceso

¿Se usó demasiado detergente? Consulte la sección "Depósito del detergente".

¿Es la marca de detergente lo que causa espuma en exceso? Pruebe una marca diferente para reducir la espuma y eliminar la acumulación.

### ■ Olor en la lavavajillas

¿Se lavan los platos sólo cada 2 ó 3 días? Páselos por un ciclo de enjuague una vez o dos veces por día hasta que usted acumule una carga completa.

¿Tiene la lavavajillas un olor a plástico nuevo? Haga un enjuague con vinagre como se describe en "Manchas y formación de películas en los platos" más adelante en esta guía de Solución de problemas.

### ■ Condensación en la cubierta de la cocina (en modelos empotrados)

¿Está la lavavajillas alineada con la cubierta? La humedad proveniente del orificio de ventilación en la consola de la lavavajillas puede formarse en la cubierta. Consulte las Instrucciones de Instalación para obtener más información.

---

## Los platos no están completamente limpios

---

### ■ Residuos de alimentos en los platos

¿Se ha cargado la lavavajillas correctamente? Consulte la sección "Cómo cargar su lavavajillas".

¿Está la temperatura del agua demasiado baja? Para lograr óptimos resultados en el lavado de la vajilla, el agua deberá tener una temperatura de 120°F (49°C) al entrar en la lavavajillas. Consulte la sección "Consejos para la eficiencia de la lavavajillas".

¿Usó usted la cantidad correcta de detergente fresco? Use únicamente detergentes recomendados para lavavajillas. Consulte la sección "Depósito del detergente". El detergente debe estar fresco para ser eficaz. Guarde el detergente en un área fresca y seca. La suciedad profunda y/o el agua dura por lo general requieren detergente adicional.

¿Tiene agua dura? Es posible que tenga que aumentar la cantidad de detergente que está usando. Consulte la sección “Depósito del detergente”. Además puede necesitar cambiar el detergente por uno cuyo contenido de fósforo sea de 8,7 %.

¿Está el detergente endurecido en el depósito? Use sólo detergente fresco. No permita que el detergente permanezca por varias horas en un depósito húmedo. Limpie el depósito cuando haya detergente endurecido.

¿Está la bomba o el brazo rociador obstruido por las etiquetas de botellas y latas?

¿Está la presión del agua de la casa lo suficientemente alta para lograr un llenado adecuado de la lavavajillas? La presión del agua de la casa debe ser de 20 a 120 libras por pulgada cuadrada (138-828 kPa) para obtener un llenado apropiado de la lavavajillas. Si tiene preguntas acerca de la presión del agua, llame a un plomero competente autorizado.

¿Está el exceso de espuma reduciendo la velocidad del brazo rociador? No use jabón o detergentes para lavar ropa. Use únicamente detergentes recomendados para lavavajillas.

---

## Manchas en los platos

---

### ■ Manchas y formación de películas en los platos

¿Es el agua dura o tiene un alto contenido de minerales? El acondicionar el agua del enjuague final con un agente de enjuague ayuda a eliminar las manchas y la formación de películas. Mantenga el depósito del agente de enjuague lleno.

¿Está la temperatura del agua demasiado baja? Para lograr óptimos resultados en el lavado de la vajilla, el agua deberá tener una temperatura de 120°F (49°C) al entrar en la lavavajillas. Consulte la sección “Consejos para la eficiencia de la lavavajillas”.

¿Usó usted la cantidad correcta de detergente eficaz? Use sólo detergentes recomendados para lavavajillas. Consulte la sección “Depósito del detergente”. El detergente debe estar fresco para ser eficaz. Guarde el detergente en un área fresca y seca. La suciedad profunda y/o el agua dura por lo general requieren detergente adicional.

¿Está la presión del agua de la casa lo suficientemente alta para lograr un llenado adecuado de la lavavajillas? La presión del agua de la casa debe ser de 20 a 120 libras por pulgada cuadrada (138-828 kPa) para obtener un llenado apropiado de la lavavajillas. Si tiene preguntas acerca de la presión del agua, llame a un plomero competente autorizado.

**NOTA:** Para quitar manchas y las películas de los platos, pruebe un enjuague con vinagre blanco. Este procedimiento está destinado únicamente para uso ocasional. El vinagre es un ácido y su uso frecuente podría dañar la lavavajillas.

1. Lave y enjuague los platos. Use una opción de secado al aire o un secado que ahorra energía. Quite todos los objetos metálicos o cubiertos.
2. Ponga 2 tazas (500 mL) de vinagre blanco en una taza medidora de vidrio o de otro material seguro para lavavajillas en la canasta inferior.
3. Haga funcionar la lavavajillas por un ciclo completo con una opción de secado al aire. No use detergente. El vinagre se mezclará con el agua del lavado.

### ■ Película de sílice o corrosión (la película de sílice es un depósito blanco e iridiscente; la corrosión es una película turbia)

A veces se produce una reacción química al agua con ciertos tipos de objetos de cristal. Por lo general se debe a una combinación de agua suave o agua ablandada, soluciones alcalinas para lavar, enjuague insuficiente, sobrecarga de la lavavajillas y el calor del secado. Evitar este problema no sería posible, excepto lavando a mano.

Para retardar el proceso, use una mínima cantidad de detergente por carga. Use un agente de enjuague líquido y reduzca la carga de la lavavajillas para permitir un enjuague a fondo. Las películas de sílice y la corrosión son permanentes y no se pueden eliminar. No use el secado caliente.

### ■ Manchas blancas en las cacerolas con acabado antiadherente

¿Ha quitado el detergente de la lavavajillas el curado de las cacerolas? Vuelva a curarlas luego de lavarlas en la lavavajillas.

### ■ Manchas de color castaño en los platos y en el interior de la lavavajillas

¿Tiene el agua un alto contenido de hierro? Vuelva a lavar los platos usando 1-3 cucharaditas (5-15 mL) de cristales de ácido cítrico agregados en la sección con tapa del depósito del detergente. No use detergente. A continuación use el ciclo de Lavado Normal con detergente. Si el tratamiento llega a ser necesario más de una vez cada dos meses, se recomienda la instalación de una unidad de eliminación de hierro.

### ■ Marcas negras o grises en los platos

¿Hay objetos de aluminio que rozan los platos durante el lavado? Los objetos de aluminio desechables pueden romperse en la lavavajillas y rayar los demás artículos. Lave estos objetos a mano. Quite las marcas de aluminio usando un producto de limpieza abrasivo suave.

### ■ Manchas anaranjadas en los platos de plástico o en el interior de la lavavajillas

¿Se han colocado platos con grandes cantidades de restos de comida a base de tomate en la lavavajillas? Las manchas desaparecen gradualmente con el tiempo. El uso continuo del secado caliente retardará la desaparición de las manchas. Las manchas no afectarán el rendimiento de la lavavajillas. El uso continuo de un ciclo de enjuague y una opción de secado al aire o un secado que ahorra energía reducirá la posibilidad de manchas.

---

## Los platos no quedan bien secos

---

### ■ Los platos no están secos

¿Se cargó la lavavajillas de manera que permita el escurrido apropiado del agua? No sobrecargue. Consulte la sección "Cómo cargar su lavavajillas". Use un agente de enjuague líquido para acelerar el secado.

¿Están mojados los objetos de plástico? Los objetos de plástico a menudo necesitan un secado con toalla.

¿Está vacío el depósito del agente de enjuague? Consulte la sección "Depósito del agente de enjuague".

¿Se usó una opción de secado al aire? Use una opción de secado caliente para obtener platos más secos.

---

## Los platos se dañan durante el ciclo

---

### ■ Platos despostillados

¿Se cargó la lavavajillas adecuadamente? Coloque los platos y vasos de manera que estén estables y no choquen entre sí por la acción del lavado. El sacar y meter las canastas despacio reduce la posibilidad de despostilladuras.

**NOTA:** Algunos objetos de cristal antiguo, con cantos biselados y objetos similares de porcelana y cristal serían demasiado delicados para lavarse en la lavavajillas automática. Lávelos a mano.

---

## Ruidos

---

### ■ Se escuchan chirridos, trituraciones, crujidos o zumbidos

Un objeto duro se ha introducido en el módulo de lavado (en algunos modelos). El sonido deberá cesar una vez que el objeto haya sido pulverizado. Si el ruido persiste después de un ciclo completo, llame al servicio técnico.

---

## El exterior de la lavavajillas está sucio o marcado

---

### ■ Marcas, manchas o residuos en el exterior de la lavavajillas

¿Ha limpiado la lavavajillas con un detergente suave y un paño o ha usado un limpiador de acero inoxidable en los modelos con exterior de acero inoxidable? En la mayoría de los casos, todo lo que se debe hacer es usar periódicamente un paño o esponja suave húmedo con un detergente suave para que el exterior de su lavavajillas se vea limpio y reluciente. Si el exterior de la lavavajillas es de acero inoxidable, se recomienda el uso de un limpiador para acero inoxidable.

# TABLE DES MATIÈRES

|   |    |   |                    |
|---|----|---|--------------------|
| CONTRATS DE PROTECTION.....                               | 37 | Distributeur d'agent de rinçage .....               | 46                 |
| GARANTIE .....  | 38 | Conseils d'efficacité pour le lave-vaisselle.....   | 46                 |
| SÉCURITÉ DU LAVE-VAISSELLE.....                           | 39 | Tableaux de sélection de programmes .....           | 47                 |
| Avant d'utiliser le lave-vaisselle .....                  | 40 | Annulation d'un programme .....                     | 48                 |
| PIÈCES ET CARACTÉRISTIQUES.....                           | 41 | Changement d'un programme ou réglage .....          | 48                 |
| Système d'élimination des solides ULTRA WASH® .....       | 42 | Addition de vaisselle durant un programme.....      | 49                 |
| Programme de lavage smartwash™ (lavage intelligent) ..... | 42 | Sélection d'options .....                           | 49                 |
| GUIDE DE MISE EN MARCHÉ.....                              | 42 | Indicateurs d'état d'avancement du programme.....   | 50                 |
| Utilisation de votre nouveau lave-vaisselle .....         | 42 | Évent.....  | 50                 |
| CHARGEMENT DU LAVE-VAISSELLE.....                         | 43 | Dispositif de protection contre le débordement..... | 50                 |
| Suggestions de chargement.....                            | 43 | LAVAGE D'ARTICLES SPÉCIAUX .....                    | 51                 |
| Chargement du panier supérieur.....                       | 43 | ENTRETIEN DU LAVE-VAISSELLE.....                    | 52                 |
| Chargement du panier inférieur .....                      | 44 | Nettoyage .....                                     | 52                 |
| Chargement du panier à couverts.....                      | 44 | Dispositif anti-refoulement.....                    | 52                 |
| UTILISATION DU LAVE-VAISSELLE .....                       | 45 | Remisage .....                                      | 52                 |
| Distributeur de détergent.....                            | 45 | DÉPANNAGE .....                                     | 53                 |
|   |    | NUMÉROS DE SERVICE .....                            | COUVERTURE ARRIÈRE |

## CONTRATS DE PROTECTION

### Contrats principaux de protection

Nous vous félicitons d'avoir fait un achat judicieux. Votre nouvel appareil Kenmore® est conçu et fabriqué pour vous procurer des années de fonctionnement fiable. Mais comme pour tous les produits, il pourra à l'occasion nécessiter un entretien préventif ou une réparation. Le cas échéant, un Contrat principal de protection peut vous épargner de l'argent et des soucis.

Le Contrat principal de protection contribue aussi à prolonger la vie utile de votre nouvel appareil ménager. Le Contrat\* inclut :

- ✓ **Pièces et main-d'œuvre** nécessaires pour conserver les appareils en état de fonctionnement correct **pendant une utilisation normale**, pas uniquement les défaillances. Notre couverture **va bien au-delà de la garantie du produit**. Aucune franchise, aucune anomalie de fonctionnement ne sont exclues de ce contrat - **protection réelle**.
- ✓ **Un service d'expert** proposé par plus de 10 000 **techniciens d'entretien Sears** autorisés, ce qui signifie que quelqu'un de confiance prendra soin de votre produit.
- ✓ **Appels de service illimités et service national**, aussi souvent que vous en avez besoin et quand vous en avez besoin.
- ✓ **Garantie "Anti-citron"** - remplacement de votre produit couvert si plus de quatre pannes se produisent en deçà de douze mois.
- ✓ **Remplacement du produit** si votre produit couvert ne peut être réparé.
- ✓ **Vérification annuelle d'entretien préventif sur demande** - sans frais supplémentaires.
- ✓ **Aide rapide par téléphone** - nous appelons cela **Résolution rapide** - support téléphonique d'un agent de Sears sur tous les produits. Considérez-nous comme un "manuel d'utilisateur parlant".

- ✓ **Protection contre les sautes de puissance** pour prévenir les dommages électriques attribuables aux fluctuations de courant.
- ✓ **Couverture pour la perte de nourriture de 250 \$** par an sur tout aliment altéré en raison d'une défaillance mécanique sur tout réfrigérateur ou congélateur couvert.
- ✓ **Remboursement de location** si la réparation du produit couvert prend plus de temps que promis.
- ✓ **10 % de réduction** sur le prix courant de toute intervention de réparation non-couverte et pièces de rechange.

Dès que vous achetez le Contrat, il suffit d'un appel téléphonique pour obtenir un rendez-vous de service. Vous pouvez appeler en tout temps jour et nuit ou prendre un rendez-vous de service en direct.

Le Contrat principal de protection constitue un investissement sans risque. Si vous annulez pour une quelconque raison pendant la période de garantie du produit, nous vous rembourserons intégralement ou nous vous verserons un remboursement au prorata après l'expiration de la période de garantie. Achetez votre Contrat principal de protection aujourd'hui même!

**Certaines limitations et exclusions s'appliquent. Pour des prix et renseignements supplémentaires aux États-Unis, composez le 1-800-827-6655.**

**\*Le contrat de couverture au Canada varie pour certains articles. Pour des informations détaillées, appelez Sears Canada au 1-800-361-6665.**

### Service d'installation Sears

Pour l'installation professionnelle garantie par Sears d'appareils ménagers et d'articles tels que les ouvre-portes de garage, chauffe-eau, et autres gros appareils ménagers, aux É.-U. ou au Canada, composez le **1-800-4-MY-HOME®**.

# GARANTIE DES APPAREILS MÉNAGERS KENMORE

## GARANTIE LIMITÉE DE UN AN

Lorsqu'il est installé, utilisé et entretenu conformément à toutes les instructions fournies avec le produit, si cet appareil ménager fait défaut par suite d'un vice de matériau ou de fabrication au cours de l'année qui suit la date d'achat, composer le 1-800-4-MY-HOME® pour obtenir une réparation gratuite.

Si cet appareil ménager fonctionne à toute autre fin que l'utilisation familiale privée, la présente garantie ne s'appliquera que pendant 90 jours à partir de la date d'achat.

**LA PRÉSENTE GARANTIE COUVRE UNIQUEMENT LES VICES DE MATÉRIAUX ET DE FABRICATION. SEARS NE PAIERA PAS POUR :**

1. Les pièces courantes qui peuvent s'user suite à une utilisation normale, notamment les filtres, courroies, ampoules et sacs.
2. L'intervention d'un technicien pour montrer à l'utilisateur comment installer, utiliser et entretenir correctement le produit.
3. L'intervention d'un technicien pour nettoyer ou entretenir ce produit.
4. L'endommagement ou les défauts du produit si celui-ci n'est pas installé, utilisé ou entretenu conformément à toutes les instructions fournies avec le produit.
5. L'endommagement ou les défauts du produit résultant d'accident, usage impropre ou abusif ou utilisation autre que pour laquelle il est destiné.
6. L'endommagement ou les défauts du produit causés par l'utilisation de détergents, agents de nettoyage, produits chimiques ou ustensiles autres que ceux recommandés dans toutes les instructions fournies avec le produit.
7. L'endommagement ou les défauts des pièces ou systèmes résultant d'une modification non autorisée faite au produit.

## CLAUSE D'EXONÉRATION DE RESPONSABILITÉ AU TITRE DES GARANTIES IMPLICITES; LIMITATION DES RECOURS

Le seul et exclusif recours du client dans le cadre de la présente garantie limitée consiste en la réparation prévue ci-dessus. Les garanties implicites, y compris les garanties applicables de qualité marchande et d'aptitude à un usage particulier, sont limitées à un an ou à la plus courte période autorisée par la loi. Sears n'assume aucune responsabilité pour les dommages fortuits ou indirects. Certains États ou certaines provinces ne permettent pas l'exclusion ou la limitation des dommages fortuits ou indirects, ou la limitation de la durée des garanties implicites de qualité marchande ou d'aptitude à un usage particulier, de sorte que cette exclusion ou limitation peut ne pas être applicable dans votre cas.

Cette garantie s'applique seulement lorsque cet appareil ménager est utilisé aux États-Unis et au Canada.

Cette garantie vous confère des droits juridiques spécifiques et vous pouvez également jouir d'autres droits qui peuvent varier d'un État à l'autre.

**Sears, Roebuck and Co.**  
**Dept. 817WA, Hoffman Estates, IL 60179**  
**Sears Canada Inc.**  
**Toronto, Ontario, Canada M5B 2B8**

## ENREGISTREMENT DU PRODUIT

Dans l'espace ci-dessous, inscrire les numéros de modèle et de série complets et la date d'achat. Vous trouverez ces renseignements sur l'étiquette des numéros de modèle et de série située sur le produit.

Gardez ces renseignements à disposition pour obtenir plus rapidement assistance ou service lorsque vous communiquez avec Sears au sujet de votre appareil ménager.

Numéro de modèle \_\_\_\_\_

Numéro de série \_\_\_\_\_

Date d'achat \_\_\_\_\_

**Conservez ces instructions et votre reçu de vente pour référence ultérieure.**

# SÉCURITÉ DU LAVE-VAISSELLE

## Votre sécurité et celle des autres est très importante.

Nous donnons de nombreux messages de sécurité importants dans ce manuel et sur votre appareil ménager. Assurez-vous de toujours lire tous les messages de sécurité et de vous y conformer.



Voici le symbole d'alerte de sécurité.

Ce symbole d'alerte de sécurité vous signale les dangers potentiels de décès et de blessures graves à vous et à d'autres.

Tous les messages de sécurité suivront le symbole d'alerte de sécurité et le mot "DANGER" ou "AVERTISSEMENT". Ces mots signifient :

**⚠ DANGER**

Risque possible de décès ou de blessure grave si vous ne suivez pas immédiatement les instructions.

**⚠ AVERTISSEMENT**

Risque possible de décès ou de blessure grave si vous ne suivez pas les instructions.

Tous les messages de sécurité vous diront quel est le danger potentiel et vous disent comment réduire le risque de blessure et ce qui peut se produire en cas de non-respect des instructions.

## IMPORTANTES INSTRUCTIONS DE SÉCURITÉ

**AVERTISSEMENT :** Lors de l'utilisation du lave-vaisselle, suivre les précautions élémentaires dont les suivantes :

- Lire la totalité des instructions avant d'utiliser le lave-vaisselle.
- N'utiliser le lave-vaisselle que pour laver la vaisselle.
- Utiliser les détergents ou agents de rinçage recommandés pour lave-vaisselle et les garder hors de la portée des enfants.
- Lorsque vous chargez le lave-vaisselle :
  - 1) Placer les objets coupants de façon qu'ils ne puissent endommager le joint de la porte; et
  - 2) Placer les couteaux le manche vers le haut de façon à ne pas vous couper.
- Ne pas laver d'articles en plastique à moins qu'ils ne soient marqués "Peut aller au lave-vaisselle" ou l'équivalent. Si l'article ne porte aucune indication, vérifier auprès du fabricant.
- Ne pas toucher l'élément chauffant pendant le fonctionnement ou immédiatement après.
- Ne pas faire fonctionner le lave-vaisselle si tous les panneaux de l'enceinte ne sont pas en place.
- Ne pas jouer avec les commandes.
- Ne pas abuser, vous asseoir ni monter sur la porte, le couvercle ou les paniers du lave-vaisselle.
- Pour éviter tout risque d'accident, ne pas laisser les enfants jouer dans ou sur le lave-vaisselle.
- Sous certaines conditions, de l'hydrogène peut se former dans un réseau d'eau chaude inutilisé depuis deux semaines ou plus. L'HYDROGÈNE EST UN GAZ EXPLOSIBLE. Si le système d'eau chaude n'a pas été utilisé depuis un certain temps, laisser couler l'eau chaude des robinets pendant quelques minutes avant de faire fonctionner le lave-vaisselle. Cette mesure permettra à l'hydrogène de s'évaporer. Ce gaz étant inflammable, ne pas fumer ni utiliser de flamme nue pendant cette période.
- Enlever la porte ou le couvercle du compartiment de lavage lorsque vous remplacez ou mettez au rebut un vieux lave-vaisselle.

**CONSERVEZ CES INSTRUCTIONS**

## ⚠ AVERTISSEMENT



### Risque de basculement

**Ne pas utiliser le lave-vaisselle jusqu'à ce qu'il soit complètement installé.**

**Ne pas appuyer sur la porte ouverte.**

**Le non-respect de ces instructions peut causer des blessures graves ou des coupures.**

## ⚠ AVERTISSEMENT



### Risque de choc électrique

**Relier le lave-vaisselle à la terre d'une méthode électrique.**

**Brancher le fil relié à la terre au connecteur vert relié à la terre dans la boîte de la borne.**

**Ne pas utiliser un câble de rallonge.**

**Le non-respect de ces instructions peut causer un décès, un incendie ou un choc électrique.**

## INSTRUCTIONS DE MISE À LA TERRE

### ■ Pour un lave-vaisselle relié à la terre, branché avec un cordon :

Le lave-vaisselle doit être relié à la terre. En cas d'un mauvais fonctionnement ou d'une panne, la mise à terre réduira le risque d'un choc électrique en fournissant le moins de résistance pour le courant électrique. Le lave-vaisselle est équipé d'un cordon avec un conducteur pour relier les appareils à la terre. La fiche doit être branchée sur une prise appropriée, installée et reliée à la terre conformément aux codes et règlements locaux.

**AVERTISSEMENT :** La connexion incorrecte du conducteur pour relier les appareils à la terre peut causer le risque de choc électrique. Vérifier avec un électricien compétent ou un représentant de service si vous avez des doutes si le lave-vaisselle est correctement relié à la terre. Ne pas modifier la fiche fournie avec le lave-vaisselle; si elle n'entre pas dans la prise, faire installer une prise appropriée par un électricien compétent.

### ■ Pour un lave-vaisselle branché en permanence :

Le lave-vaisselle doit être branché à un système d'installation électrique permanent en métal relié à la terre, ou un conducteur pour relier les appareils doit être relié avec les conducteurs du circuit et branché à une borne pour relier les appareils à la terre ou au cordon d'alimentation électrique avec le lave-vaisselle.

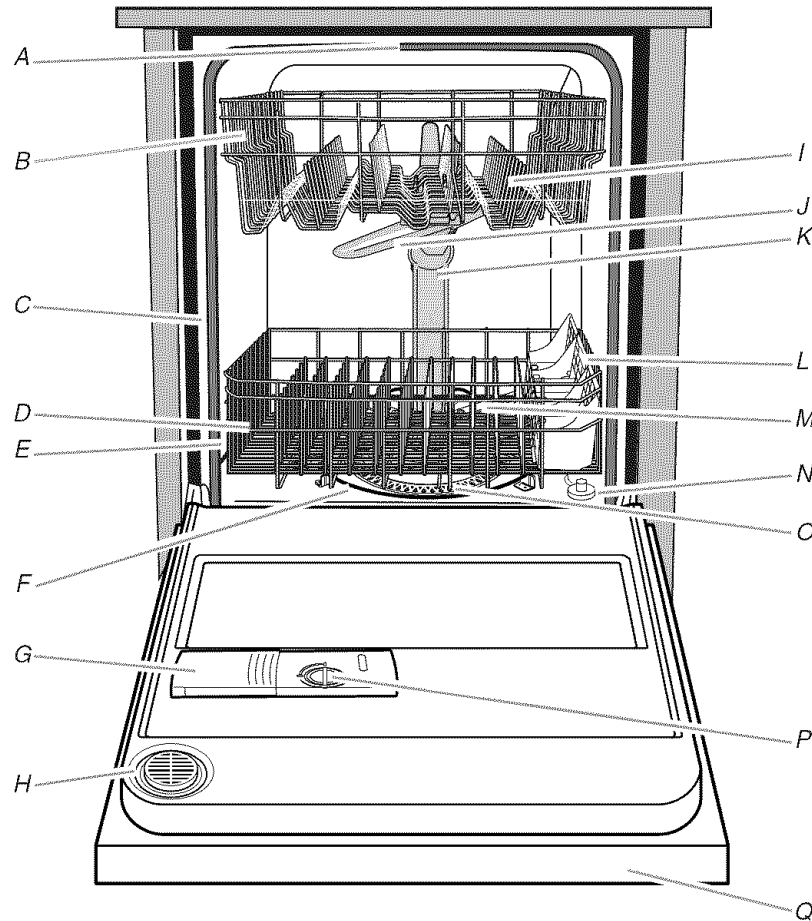
## CONSERVEZ CES INSTRUCTIONS

- Installer le lave-vaisselle dans un endroit à l'abri des intempéries. Protéger l'appareil contre le gel pour éviter une rupture possible du robinet de remplissage. De telles ruptures ne sont pas couvertes par la garantie. Voir la section "Remisage" pour la préparation du remisage en hiver.
- Installer et niveler le lave-vaisselle sur un plancher qui pourra en supporter le poids, et dans un espace convenable pour ses dimensions et son utilisation.
- Enlever tous les bouchons d'expédition des tuyaux et des raccords (tel que le capuchon sur l'ouverture de vidange) avant l'installation. Voir les instructions d'installation pour des renseignements complets.



# PIÈCES ET CARACTÉRISTIQUES

Ce manuel couvre plusieurs modèles différents. Les caractéristiques sur votre lave-vaisselle peuvent différer de celles illustrées ci-dessous.

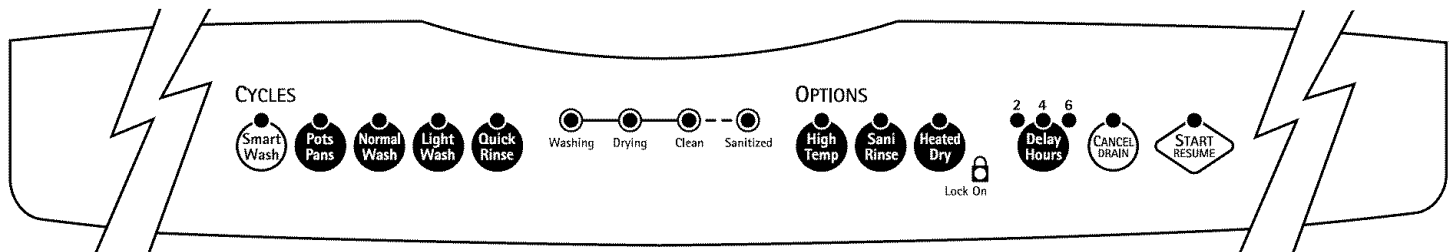


- A. Lavage au niveau supérieur
- B. Panier supérieur
- C. Plaque signalétique des numéros de modèle et de série
- D. Panier inférieur
- E. Ouverture d'arrivée d'eau (dans la paroi de la cuve)

- F. Élément chauffant
- G. Distributeur de détergent
- H. Évent
- I. Agrafes de retenue
- J. Bras d'aspersion supérieur
- K. Tube d'arrivée d'eau ULTRA FLOW™

- L. Panier à couverts
- M. Bras d'aspersion inférieur
- N. Dispositif de protection contre le débordement
- O. Module ULTRA WASH®
- P. Distributeur d'agent de rinçage
- Q. Tableau de commande

## Tableau de commande



## Système d'élimination des solides ULTRA WASH®

Le système d'élimination des solides ULTRA WASH® vous donne une vaisselle étincelante tout en utilisant moins d'énergie et de temps. Le système d'élimination des solides ULTRA WASH® comprend :

- Un système de filtration à triple action qui filtre les saletés dans l'eau de lavage par intermittence et supprime par conséquent la nécessité de gratter la vaisselle.

- Un capteur optique ULTRA WASH® qui détecte le niveau de saleté et la quantité de détergent présent dans l'eau de lavage et ajuste les programmes en conséquence.
- Une commande automatique de la température (CAT) qui garantit une température d'eau adéquate pour le programme de lavage choisi, le volume de la charge de vaisselle et la quantité de saleté présente dans la charge.

### Programme de lavage smartwash™ (lavage intelligent)

#### Fonctionnement du programme smartwash™

Lorsque le programme smartwash™ est sélectionné, on peut économiser de l'énergie et de l'eau en ajustant le programme de lavage au besoin.

- Des capteurs détectent la quantité de vaisselle à laver, le niveau de saleté et la température de l'eau dans le lave-vaisselle.
- Les capteurs ajustent automatiquement la température et la quantité d'eau utilisée pour la charge.

Ce lave-vaisselle calibre automatiquement le capteur à la qualité de votre eau environ une fois par an.

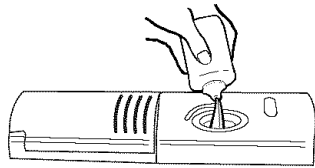
**IMPORTANT :** Le tout premier programme de lavage après l'installation au domicile inclut 2 rinçages additionnels pour le calibrage du capteur optique des saletés. Pour un calibrage adéquat, ne pas interrompre le premier programme. Si ce programme de calibrage est annulé ou arrêté avant l'allumage du témoin Clean (propre) à la fin du programme, le programme de lavage suivant répétera l'opération de calibrage du capteur.

## GUIDE DE MISE EN MARCHÉ

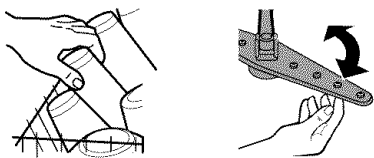
Avant d'utiliser le lave-vaisselle, enlever tous les matériaux d'emballage. Lire ce guide d'utilisation et d'entretien au complet. Vous y trouverez des renseignements de sécurité importants ainsi que des conseils d'utilisation utiles.

### Utilisation de votre nouveau lave-vaisselle

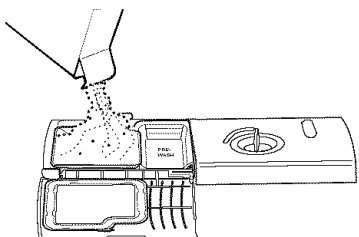
1. L'utilisation d'un agent de rinçage est essentielle pour un bon séchage. S'assurer de remplir le distributeur avant d'utiliser le nouveau lave-vaisselle. Chaque remplissage durera 1 à 3 mois, selon l'utilisation.



2. Ôter les particules alimentaires et articles durs (cure-dents ou os) de la vaisselle.
3. Bien charger le lave-vaisselle. (Voir "Chargement du lave-vaisselle".) Espacer la vaisselle pour que l'eau puisse atteindre les surfaces sales. S'assurer que rien n'empêche le ou les bras d'aspersion de tourner librement.

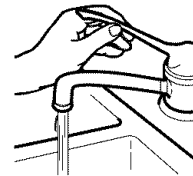


4. Ajouter le détergent. Toujours utiliser un détergent d'une marque de haute qualité. (Voir "Utilisation du lave-vaisselle".)

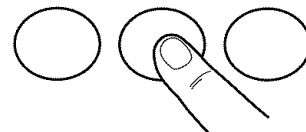


5. Bien fermer la porte. Le verrou de la porte s'engage automatiquement.

6. Laisser l'eau couler du robinet le plus près du lave-vaisselle jusqu'à ce qu'elle soit chaude. (Voir "Conseils d'efficacité pour le lave-vaisselle".) Fermer le robinet.



7. Appuyer sur les boutons de programmes et d'options désirés. (Voir "Utilisation du lave-vaisselle".)



8. Appuyer sur START/RESUME (mise en marche/réinitialisation), ou appuyer sur START/RESUME (mise en marche/réinitialisation) pour répéter le même programme et les mêmes options que précédemment.

**IMPORTANT :** Le témoin lumineux Start/Resume (mise en marche/réinitialisation) clignote si la porte est ouverte durant un programme. Les coupures de courant pendant un programme peuvent également amener le témoin Start/Resume à clignoter. Appuyer sur START/RESUME (mise en marche/réinitialisation) pour poursuivre un programme.



# CHARGEMENT DU LAVE-VAISSELLE

## Suggestions de chargement

- Enlever de la vaisselle les restes alimentaires, os, cure-dents et autres articles durs. Pour conserver l'eau, l'énergie et économiser du temps, il n'est pas nécessaire de rincer la vaisselle avant de la placer dans le lave-vaisselle.

**REMARQUE :** Pour éviter de tacher la vaisselle, on recommande de pré-rincer les articles sur lesquels se trouvent des produits à base de tomate.

Le module de lavage sépare les particules alimentaires de l'eau. Le module contient un système de filtration à triple action qui filtre les saletés de l'eau par intermittence.

**REMARQUE :** Si des articles durs tels que graines de fruits, noix et coquilles d'œufs pénètrent dans le module de lavage, il est possible que l'on entende des sons de hachage, broyage ou bourdonnement. Ces bruits sont normaux lorsque des articles durs pénètrent dans le module. Pour éviter d'endommager le lave-vaisselle, ne pas laisser d'articles métalliques (tels que des vis de poignées de casserole) pénétrer dans le module de lavage.

- Pour le meilleur résultat de séchage, l'eau doit pouvoir s'écouler de toutes les surfaces.
- Il est important que le jet d'eau atteigne toutes les surfaces sales.
- Si possible, charger la vaisselle de telle sorte qu'elle ne soit pas empilée ou en chevauchement.
- Faire très attention lors de la manipulation d'ustensiles de cuisson lourds. Les articles lourds peuvent endommager l'intérieur de la porte si on les fait tomber ou on les heurte.
- S'assurer que les couvercles et poignées de casseroles, plaques à pizza ou à biscuits, etc. n'entravent pas la rotation des bras d'aspersion.
- Conserver l'eau, l'énergie et économiser du temps sur le rinçage manuel en utilisant un programme de rinçage pour garder la vaisselle légèrement mouillée si vous n'avez pas l'intention de la laver bientôt. Les aliments tels que les œufs, riz, pâtes alimentaires, épinards et céréales cuites peuvent être difficiles à enlever si on les laisse sécher pendant quelque temps.
- Placer les articles avec la partie ouverte vers le bas pour un meilleur nettoyage et égouttement.

## Conseils de fonctionnement silencieux

Pour éviter les bruits de choc et d'entrechoc durant le fonctionnement :

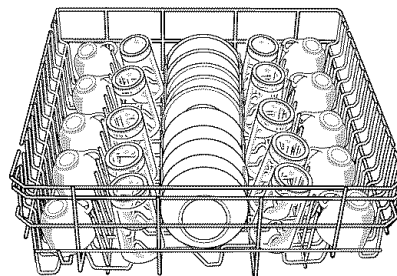
- S'assurer que les articles légers sont bien retenus dans les paniers.
- S'assurer que les couvercles et poignées de casserole, plaques à pizza et à biscuits, etc. ne touchent pas les parois intérieures ou n'entravent pas la rotation du(des) bras d'aspersion.
- Charger la vaisselle pour que les articles ne se touchent pas les uns les autres.

**REMARQUE :** Pour les modèles encastrés, boucher les orifices d'évacuation des évier avec leurs bondes pendant les opérations de lavage pour éviter le transfert des bruits par les canalisations.

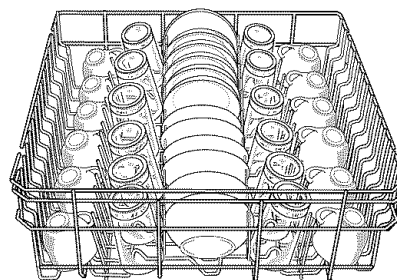
## Chargement du panier supérieur

Le panier supérieur est conçu pour le chargement des tasses, verres et petits articles. De nombreux articles jusqu'à 9" (22 cm) de hauteur conviennent dans le panier supérieur. (Voir les modèles de chargement recommandés ci-dessous.)

**REMARQUE :** Les caractéristiques du panier de votre lave-vaisselle peuvent différer des illustrations.



Charge pour 10 couverts

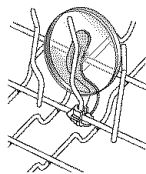


Charge pour 12 couverts

- Pour faciliter le nettoyage et le drainage, orienter la cavité ouverte des articles vers le bas.
- Charger les verres dans le panier supérieur seulement. Le panier inférieur n'est pas conçu pour les verres. Ils pourraient y subir des dommages.
- Placer les tasses et verres dans les rangées entre les tiges. Ces articles placés sur les tiges peuvent subir des dommages et des taches d'eau.
- Veiller à ce qu'il n'y ait aucun contact entre les articles de porcelaine, de cristal et autres articles délicats. Ils pourraient subir des dommages.
- Mettre les articles en plastique légers uniquement dans le panier supérieur. Ne laver des articles de plastique au lave-vaisselle que s'ils sont identifiés comme "lavable au lave-vaisselle".
- Placer les articles de plastique pour que la force du jet d'eau ne les déplace pas durant le lavage.
- Pour éviter l'écaillage, veiller à ce que les verres à pied ne touchent pas les autres articles.
- On peut placer dans le panier supérieur de petits bols, moules et autres petits ustensiles. Placer les bols dans la section centrale pour une meilleure stabilité.

## Agrafes de retenue

Les agrafes de retenue maintiennent les articles légers en plastique tels que les tasses, couvercles ou bols en place pendant le lavage.



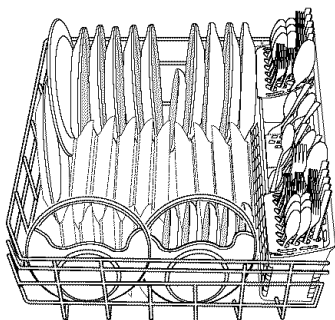
### Pour déplacer une agrafe

1. Tirer l'agrafe vers le haut pour la séparer de la tige.
2. Réinstaller l'agrafe sur une autre tige.

## Chargement du panier inférieur

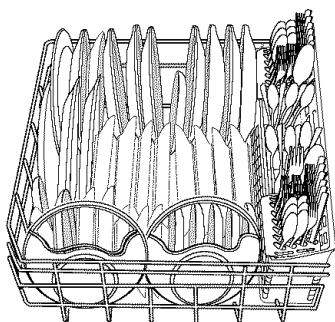
Le panier inférieur est conçu pour les assiettes, casseroles et ustensiles. De nombreux articles jusqu'à 13" (33 cm) de hauteur conviennent dans le panier inférieur. (Voir les modèles de chargement recommandés ci-dessous.)

**REMARQUE :** Les caractéristiques du panier de votre lave-vaisselle peuvent différer des illustrations.



Charge pour 10 couverts

- Ne pas mettre de verres, de tasses ni d'articles en plastique léger dans le panier inférieur. Ne charger de petits articles dans le panier inférieur que s'ils sont bien fixés en place.
- Charger les assiettes, bols à soupe, etc. entre les tiges.
- Pour une charge importante, placer les bords des assiettes en chevauchement.
- Charger les bols à soupe, à céréales et de service dans le panier de diverses façons selon leur taille et forme. Charger les bols solidement entre les rangées de tiges. Ne pas imbriquer les bols car le jet d'eau n'atteindra pas toutes les surfaces.



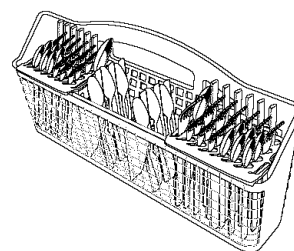
Charge pour 12 couverts

- Charger les plaques à biscuits, moules à gâteaux et autres gros articles sur les côtés et à l'arrière. Le chargement de tels articles à l'avant peut empêcher le jet d'eau d'atteindre le distributeur de détergent.
- Immobiliser les ustensiles de cuisson très sales dans le panier, cavité vers le bas.
- Veiller à ce que les poignées des ustensiles et autres articles n'entravent pas la rotation du ou des bras d'aspersion. Le ou les bras d'aspersion doivent pouvoir tourner librement.
- Ne pas charger d'articles entre le panier inférieur et la paroi latérale de la cuve du lave-vaisselle. Cela risque de bloquer l'arrivée d'eau.

## Chargement du panier à couverts

Charger le panier à couverts alors qu'il est dans le panier inférieur ou le retirer pour le charger sur un comptoir ou sur une table.

**IMPORTANT :** Toujours charger les articles (couteaux, brochettes, etc.) pointés vers le bas.



Assortir les articles dans chaque section du panier, certains vers le haut et d'autres vers le bas afin que les articles ne s'imbriquent pas. Le jet d'eau ne peut atteindre les articles imbriqués.



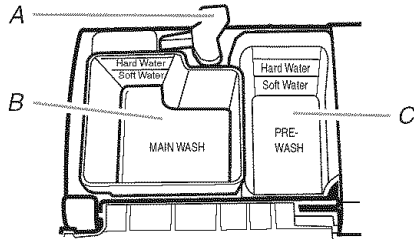
### REMARQUES :

- Ne pas charger d'ustensiles en argent ou plaqués argent avec des articles en acier inoxydable. Ces métaux peuvent être endommagés s'ils se touchent durant le lavage.
- Certains aliments (tels que le sel, le vinaigre, les produits laitiers, les jus de fruits, etc.) peuvent causer des piqûres ou de la corrosion sur les couverts. Effectuer un programme de rinçage si la charge n'est pas assez pleine pour un lavage immédiat.
- Toujours décharger ou enlever le panier avant de décharger le reste du lave-vaisselle afin d'éviter que des gouttes d'eau tombent sur les couverts.

# UTILISATION DU LAVE-VAISSELLE

## Distributeur de détergent

Le distributeur de détergent comporte 2 sections. La section plus petite du pré-lavage vide le détergent dans le lave-vaisselle lors de la fermeture de la porte. La partie plus grande pour le lavage principal vide automatiquement le détergent dans le lave-vaisselle au cours du programme de lavage. (Voir les "Tableaux de sélection de programmes".)



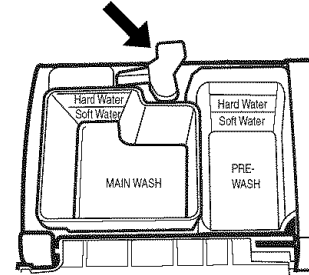
A. Loquet du couvercle  
B. Section du lavage principal  
C. Section du pré-lavage

- Utiliser uniquement du détergent pour lave-vaisselle automatique. Les autres détergents peuvent produire une mousse excessive qui risque de déborder du lave-vaisselle et réduire la performance de lavage.
- Verser le détergent juste avant de mettre le lave-vaisselle en marche.
- Conserver le récipient du détergent bien fermé dans un lieu sec et frais. Pour l'obtention de meilleurs résultats, un détergent à lave-vaisselle automatique frais est meilleur.

**REMARQUE :** Ne pas utiliser de détergent avec un programme Quick Rinse (rinçage rapide).

### Remplissage du distributeur

1. Si le couvercle du distributeur est fermé, l'ouvrir en déplaçant le loquet du couvercle vers la droite.



2. Verser la quantité adaptée de détergent dans la section de lavage principal du distributeur en vous référant au tableau ci-dessous. En cas d'utilisation de détergent en pastilles, celles-ci doivent être placées dans la section de lavage principal. (Voir "Quantité de détergent à utiliser".)
3. Si nécessaire, verser la quantité adaptée de détergent dans la section de pré-lavage du distributeur en vous référant au tableau ci-dessous.
4. Fermer le couvercle du distributeur et le bloquer en appuyant sur le couvercle directement au-dessus du loquet.

Il est normal que le couvercle s'ouvre partiellement lors de la distribution du détergent.

**REMARQUE :** Voir les "Tableaux de sélection de programmes" pour savoir quelle section remplir selon le programme sélectionné.

### Quantité de détergent à utiliser

- La quantité de détergent à utiliser dépend du degré de saleté de la vaisselle, de la dureté de l'eau et du type de détergent. Si on n'utilise pas assez de détergent, la vaisselle ne sera pas parfaitement lavée. Si on utilise trop de détergent dans une eau douce, la solution attaquera les articles en verre.
- La dureté de l'eau peut changer au cours d'une période de temps. Pour déterminer la dureté de l'eau, interroger un concessionnaire Sears, le service local de distribution d'eau potable, une entreprise d'adoucissement de l'eau ou un agent local préposé à la distribution de l'eau.

### Recommandations pour le remplissage du distributeur de détergent en fonction du degré de saleté de la charge de vaisselle et de la dureté de l'eau

| Dureté de l'eau                                     | Vaisselle légèrement sale ou pré-rincée                               |   | Vaisselle normalement sale                                     |   | Vaisselle très sale                        |  |
|---|---|---|--|---|--|--|
|   | Section de lavage principal   | Section de pré-lavage   | Section de lavage principal                                    | Section de pré-lavage   | Section de lavage principal                | Section de pré-lavage                      |
| <b>Eau douce</b><br>(0 à 2 grains par gallon US)    | 4 c. à thé (20 mL)<br>Remplir jusqu'à la ligne Soft Water (eau douce) | Vide  | 6 c. à thé (30 mL)<br>Remplir au-dessus de la ligne Soft Water | 2 c. à thé (10 mL)<br>Remplir jusqu'à la ligne Soft Water (eau douce) | 9 c. à thé (45 mL)<br>Remplir complètement | 7 c. à thé (35 mL)<br>Remplir complètement |
| <b>Moyenne</b><br>(2 à 6 grains par gallon US)      | 6 c. à thé (30 mL)<br>Remplir au-dessus de la ligne Soft Water        | 2 c. à thé (10 mL)<br>Remplir jusqu'à la ligne Soft Water (eau douce) | 6 c. à thé (30 mL)<br>Remplir au-dessus de la ligne Soft Water | 4 c. à thé (20 mL)<br>Remplir jusqu'à la ligne Hard Water (eau dure)  | 9 c. à thé (45 mL)<br>Remplir complètement | 7 c. à thé (35 mL)<br>Remplir complètement |
| <b>Eau dure</b><br>(7 grains par gallon US et plus) | 8 c. à thé (40 mL)<br>Remplir jusqu'à la ligne Hard Water (eau dure)  | 4 c. à thé (20 mL)<br>Remplir jusqu'à la ligne Hard Water (eau dure)  | 9 c. à thé (45 mL)<br>Remplir complètement                     | 7 c. à thé (35 mL)<br>Remplir complètement                            | 9 c. à thé (45 mL)<br>Remplir complètement | 7 c. à thé (35 mL)<br>Remplir complètement |

**REMARQUE :** Les quantités indiquées correspondent à l'emploi d'un détergent en poudre standard. La quantité peut varier si on utilise un détergent en poudre concentré ou un détergent liquide. Les détergents en pastilles doivent être ajoutés à la section de lavage principal du distributeur de détergent avec le couvercle fermé. Lors de l'utilisation d'un détergent en poudre concentré, d'un détergent liquide ou d'un détergent en pastilles, procéder conformément aux instructions indiquées sur l'emballage.

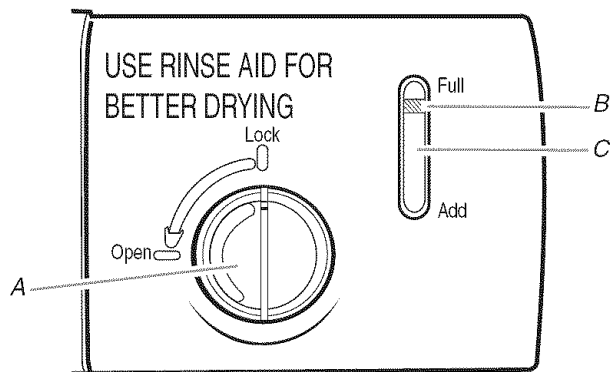
## Distributeur d'agent de rinçage

**IMPORTANT :** Votre lave-vaisselle est conçu pour utiliser un agent de rinçage liquide. L'utilisation des agents de rinçage améliore nettement le séchage en permettant à l'eau de s'écouler de la vaisselle après le rinçage final. Ils empêchent aussi l'eau de former des gouttelettes qui peuvent sécher en laissant des taches ou coulées. Ne pas utiliser un agent de rinçage solide ou en forme de barre.

### Remplissage du distributeur

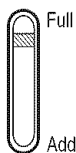
La capacité du distributeur d'agent de rinçage est de 5 oz (150 mL). Dans des conditions normales, cette quantité devrait durer 1 à 3 mois environ.

1. S'assurer que la porte du lave-vaisselle est complètement ouverte.
2. Tourner le bouton du distributeur à "Open" (ouvert) et le soulever.



A. Bouton du distributeur  
B. Indicateur  
C. Fenêtre de l'indicateur

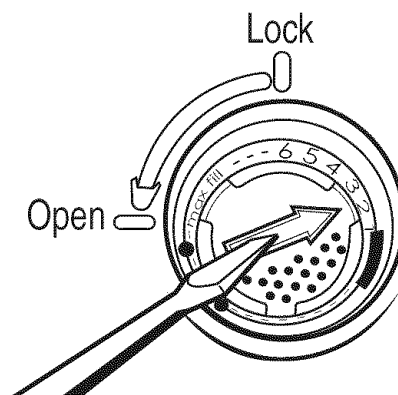
3. Verser l'agent de rinçage dans l'ouverture jusqu'à ce que l'indicateur soit sur "Full" (plein). Ne pas remplir excessivement. (Lorsque l'indicateur atteint le niveau marqué "Add", ajouter de l'agent de rinçage.)



4. Absorber tout agent de rinçage renversé avec un chiffon humide.
5. Remettre le bouton du distributeur dans l'ouverture et le tourner à la position "Lock" (verrouillée).

### Réglage de la quantité d'agent de rinçage

Il est possible de régler la quantité d'agent de rinçage libéré lors du rinçage final. Pour une majorité de types d'eau, le réglage effectué à l'usine à 2 donnera de bons résultats. En cas d'eau dure ou d'observation d'anneaux ou dépôts de calcaire sur les verres et la vaisselle, essayer un réglage plus élevé.



### Ajustement du réglage

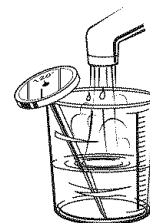
1. Enlever le bouton du distributeur.
2. Tourner l'ajusteur à flèche à l'intérieur du distributeur à la position désirée, soit à la main, soit en insérant un tournevis à lame plate au centre de la flèche et en tournant.
3. Replacer le bouton du distributeur.

## Conseils d'efficacité pour le lave-vaisselle

L'eau chaude dissout et active le détergent de lavage de la vaisselle. L'eau chaude dissout également la graisse sur la vaisselle et contribue au séchage sans taches des verres. Pour les meilleurs résultats de lavage, l'eau devrait être à 120°F (49°C) à son entrée dans le lave-vaisselle. Les charges peuvent ne pas être lavées aussi bien si la température de l'eau est trop basse. L'eau trop chaude peut rendre certaines saletés plus difficiles à enlever et empêcher certains ingrédients du détergent de faire effet. Si le chauffe-eau se trouve loin du lave-vaisselle, il peut être nécessaire de faire couler l'eau chaude au robinet le plus près du lave-vaisselle pour minimiser la quantité d'eau froide dans la canalisation d'eau.

### Contrôle de la température de l'eau

1. Laisser couler l'eau chaude par le robinet le plus proche du lave-vaisselle pendant au moins 1 minute.
2. Placer un thermomètre à viande ou à confiserie dans une tasse à mesurer en verre.



3. Vérifier la température sur le thermomètre pendant que l'eau coule dans la tasse.

## Conseils d'efficacité supplémentaires

- Pour économiser de l'eau, de l'énergie et du temps, ne pas rincer la vaisselle avant de la placer dans le lave-vaisselle.
- Utiliser la caractéristique de mise en marche différée pour faire fonctionner votre lave-vaisselle en dehors des heures de pointe. Les services publics locaux recommandent d'éviter l'emploi intense d'énergie à certaines heures du jour.
- Durant l'été, faire fonctionner le lave-vaisselle la nuit pour réduire l'accumulation de chaleur dans la cuisine durant la journée.
- Utiliser un agent de rinçage pour améliorer le séchage.
- Utiliser les programmes ou les options qui ajoutent un supplément de chaleur au lavage ou à la section de rinçage du programme seulement lorsque cela s'impose.
- Si votre domicile est équipé d'un adoucisseur d'eau, vous voudrez peut-être éviter de mettre le lave-vaisselle en marche durant la régénération de l'adoucisseur, laquelle pourrait entraîner une mauvaise performance de lavage.

## Tableaux de sélection de programmes

Sélectionner le programme de lavage et les options désirés. Ou appuyer sur START/RESUME (mise en marche/réinitialisation) pour utiliser le même programme et les mêmes options qu'un programme antérieur.

**REMARQUE :** Si le dernier programme achevé était un rinçage, le lave-vaisselle exécutera le dernier programme de lavage complet et les options que vous avez choisies quand vous appuyez sur START/RESUME (mise en marche/réinitialisation).

Le "●" indique les étapes de chaque programme.

La consommation d'eau est indiquée en gallons américains/litres.

Ces modèles sont conformes aux lignes directrices d'efficacité énergétique ENERGY STAR®.

La durée du programme inclut la durée de séchage. Un astérisque ( \* ) à côté de la durée du programme, de Main Wash (lavage principal), et de Final Rinse (rinçage final) indique que la durée du programme peut être plus longue selon la température de l'eau entrant dans le lave-vaisselle.

**IMPORTANT :** Ces programmes à détecteurs peuvent durer plusieurs heures selon le programme sélectionné, la température de l'eau, le niveau de saleté, et la quantité de vaisselle détectée.

## Smart Wash/lavage intelligent

Utiliser ce programme pour tous les types de saletés courantes lors du lavage d'une charge de vaisselle complète ou partielle. Durant le programme, les détecteurs détermineront la température de l'eau, la durée de lavage et la quantité d'eau en fonction du niveau de saleté et la quantité de vaisselle à laver. Lors du lavage principal, l'action de lavage fera des pauses répétées pendant quelques secondes.



Utiliser les deux sections du distributeur de détergent lors du lavage d'une charge complète de vaisselle sale.



Utiliser une seule section du distributeur de détergent lors du lavage de charges partielles de vaisselle légèrement sale.

| Charge de vaisselle | Quantité de débris  | Pré-lavage | Lavage principal*    | Rinçage ou vidange † | Rinçage final*       | Séchage | Durée moyenne* (min) | Consommation d'eau (gal/L) |
|---------------------|---------------------|------------|----------------------|----------------------|----------------------|---------|----------------------|----------------------------|
| Complète            | Vaisselle très sale | ●          | ●<br>145°F<br>(63°C) | ●<br>Rinçage         | ●<br>140°F<br>(60°C) | ●       | 145*                 | 6,9-7,8/<br>26,1-29,5      |
|                     | Vaisselle moy. sale | ●          | ●<br>119°F<br>(48°C) | ●<br>Vi-dange        | ●<br>140°F<br>(60°C) | ●       | 115*                 | 5,9/22,3                   |
|                     | Vaisselle peu sale  |            | ●<br>115°F<br>(46°C) | ●<br>Vi-dange        | ●<br>140°F<br>(60°C) | ●       | 105*                 | 4,5/17,0                   |
| Partielle           | Vaisselle très sale | ●          | ●<br>145°F<br>(63°C) | ●<br>Vi-dange        | ●<br>140°F<br>(60°C) | ●       | 130*                 | 5,9-6,8/<br>22,3-25,7      |
|                     | Vaisselle moy. sale | ●          | ●<br>119°F<br>(48°C) | ●<br>Vi-dange        | ●<br>140°F<br>(60°C) | ●       | 105*                 | 5,9/22,3                   |
|                     | Vaisselle peu sale  |            | ●<br>115°F<br>(46°C) | ●<br>Vi-dange        | ●<br>140°F<br>(60°C) | ●       | 105*                 | 4,5/17,0                   |

## Pots/Pans/Casseroles

Utiliser ce programme pour les marmites, casseroles et la vaisselle ordinaire très sales et lorsque l'eau est dure\*\*.



Utiliser les deux sections du distributeur de détergent.

| Pré-lavage | Lavage principal*    | Pré-rinçage† | Rinçage final*       | Séchage | Durée moyenne* (min) | Consommation d'eau (gal/L) |
|------------|----------------------|--------------|----------------------|---------|----------------------|----------------------------|
| ●          | ●<br>140°F<br>(60°C) | ●            | ●<br>140°F<br>(60°C) | ●       | 125*                 | 6,9-7,8/<br>26-30          |

### Normal Wash/lavage normal

Utiliser ce programme pour des charges comportant des quantités normales de débris alimentaires. (L'étiquette de consommation d'énergie est basée sur ce programme.) Lors du lavage principal, l'action de lavage fera des pauses répétées pendant quelques secondes.



Utiliser les deux sections du distributeur de détergent.

| Pré-lavage | Lavage principal*    | Pré-rinçage† | Rinçage final*       | Séchage | Durée moyenne* (min) | Consommation d'eau (gal/L) |
|------------|----------------------|--------------|----------------------|---------|----------------------|----------------------------|
| ●          | ●<br>115°F<br>(46°C) | ●            | ●<br>140°F<br>(60°C) | ●       | 110*                 | 4,1-7,8/<br>15,5-30        |

### Light Wash/lavage léger

Utiliser ce programme pour les articles en porcelaine et en cristal. Ce programme comprend un lavage léger et un rinçage délicat. Pendant le séchage à chaud, l'élément de chauffage fonctionne par intermittence.



Utiliser la section principale du distributeur de détergent.

| Pré-lavage | Lavage principal*    | Pré-rinçage† | Rinçage final*       | Séchage | Durée moyenne* (min) | Consommation d'eau (gal/L) |
|------------|----------------------|--------------|----------------------|---------|----------------------|----------------------------|
| ●          | ●<br>115°F<br>(46°C) | ●            | ●<br>135°F<br>(57°C) | ●       | 105*                 | 4,5-6,8/<br>17-26          |

### Quick Rinse/rinçage rapide

Utiliser ce programme de rinçage pour rincer la vaisselle, les verres et les couverts qui ne seront pas lavés immédiatement.



Ne pas utiliser de détergent avec ce programme de rinçage.

| Lavage | Lavage principal | Rinçage ou vidange | Rinçage final | Séchage | Durée (min) | Consommation d'eau (gal/L) |
|--------|------------------|--------------------|---------------|---------|-------------|----------------------------|
|        |                  | ●<br>Rinçage       |               |         | 10          | 1,8-2,3/<br>6,8-8,7        |

† Une petite quantité d'eau circule dans la pompe pour éliminer les saletés entre le lavage principal et le rinçage final.

\* Si la température de l'eau à l'entrée est inférieure à la température recommandée ou si la vaisselle est très sale, le programme compensera automatiquement en ajoutant du temps, de la chaleur et de l'eau si nécessaire.

\*\* L'eau est dure lorsqu'elle comporte 7 grains par gallon U.S. ou plus.

**REMARQUE :** Le détecteur incorporé au lave-vaisselle contrôle le degré de saleté. La durée du programme et/ou la consommation d'eau peuvent varier étant donné que le détecteur rajuste le programme pour assurer des performances de lavage optimales.

## Annulation d'un programme

1. Appuyer sur CANCEL/DRAIN (annulation/vidange). Le témoin lumineux Cancel/Drain (annulation/vidange) s'allume.
2. Le lave-vaisselle commence une vidange de 2 minutes (si nécessaire). Laisser le lave-vaisselle se vidanger complètement. Le témoin s'éteint après 2 minutes. La porte doit être fermée pour que le lave-vaisselle se vidange.

### Pour arrêter la vidange

On peut appuyer de nouveau sur CANCEL/DRAIN (annulation/vidange) pour arrêter la vidange. Veiller à vidanger le lave-vaisselle avant de commencer un nouveau programme.

### Pour annuler les indicateurs

Appuyer sur CANCEL/DRAIN (annulation/vidange) avant de mettre le lave-vaisselle en marche pour annuler l'ensemble des options et programmes.

## Changement d'un programme ou réglage

### Au cours de la première minute d'un programme

1. Sélectionner un nouveau programme et/ou de nouvelles options.
2. Vérifier les distributeurs de détergent. Ils doivent être bien remplis pour le nouveau programme.
3. Le témoin lumineux Start/Resume (mise en marche/réinitialisation) clignote lorsque la porte est ouverte. S'assurer que la porte est fermée.
4. Appuyer sur START/RESUME (mise en marche/réinitialisation).

### Après la première minute d'un programme

1. Appuyer sur CANCEL/DRAIN (annulation/vidange). Le témoin lumineux Cancel/Drain (annulation/vidange) s'allume. Le lave-vaisselle commence une vidange de 2 minutes (si nécessaire). Laisser le lave-vaisselle se vidanger complètement.
2. Vérifier les distributeurs de détergent. Ils doivent être bien remplis pour le nouveau programme.
3. S'assurer que la porte est fermée. Le témoin lumineux Start/Resume (mise en marche/réinitialisation) clignotera.
4. Sélectionner un nouveau programme et/ou de nouvelles options.
5. Appuyer sur START/RESUME (mise en marche/réinitialisation).



---

## Addition de vaisselle durant un programme

On peut ajouter un article n'importe quand avant le début du lavage principal. Ouvrir la porte et vérifier le distributeur de détergent. Si le distributeur de détergent est encore fermé, on peut ajouter des articles.

---

### Pour ajouter des articles

1. Ouvrir légèrement la porte pour arrêter le programme. Attendre l'arrêt des bras d'aspersion avant d'ouvrir la porte. Le témoin lumineux Start/Resume (mise en marche/réinitialisation) clignotera.
2. Ouvrir la porte. Si le couvercle du distributeur de détergent est encore fermé, ajouter l'article.
3. Pousser fermement sur la porte jusqu'à ce qu'elle s'enclenche. Le témoin lumineux Start/Resume (mise en marche/réinitialisation) clignotera.
4. Appuyer sur START/RESUME (mise en marche/réinitialisation).

**IMPORTANT :** Si l'option Lock On (verrouillage) est choisie, désactiver le verrouillage (voir Lock On/Verrouillage dans la section "Sélection d'options") ou le témoin lumineux Start/Resume (mise en marche/réinitialisation) continuera à clignoter.

---

## Sélection d'options

Il est possible de personnaliser les programmes en appuyant sur une option. Si on change d'idée, appuyer de nouveau sur l'option pour l'annuler ou sélectionner une option différente si désiré.

Vous pouvez changer une option en tout temps avant que l'option choisie ne commence. Par exemple, vous pouvez appuyer sur une option de séchage sans chaleur en tout temps avant que le séchage commence.

Appuyer sur START/RESUME (mise en marche/réinitialisation) pour utiliser le même programme et les mêmes options que dans le programme de lavage précédent.

**REMARQUE :** Si le dernier programme terminé était un programme de rinçage, quand vous appuyez sur START/RESUME (mise en marche/réinitialisation), le lave-vaisselle exécute le dernier programme complet de lavage et les dernières options.

---

### High Temp/haute température

Sélectionner cette option pour augmenter la température de l'eau durant les portions de lavage du programme. High Temp (haute température) augmente la température de l'eau à 145°F (63°C) dans le lavage principal. Le chauffage de l'eau aide à améliorer les résultats de lavage. La fonction High Temp (haute température) est utile lorsque les charges contiennent des résidus alimentaires très incrustés.

Cette option peut ajouter de la chaleur et du temps de lavage au programme.

**REMARQUE :** High Temp (haute température) est une option avec les programmes SMARTWASH™ (lavage intelligent), Pots Pans (casseroles) et Normal Wash (lavage normal).

---

### Sani Rinse/rinçage sanitaire

Choisir cette option pour augmenter la température de l'eau de rinçage final à environ 155°F (68°C). L'option Sani Rinse augmente la chaleur et la durée du programme. Ce rinçage à haute température assainit la vaisselle et la verrerie conformément à la norme 184 NSF/ANSI pour les lave-vaisselle résidentiels. Les lave-vaisselle résidentiels certifiés ne sont pas destinés pour les établissements alimentaires autorisés.

**REMARQUE :** Sani Rinse est une option avec les programmes SMARTWASH™ (lavage intelligent), Pots Pans (casseroles), et Normal Wash (lavage normal). Seuls ces programmes d'assainissement ont été conçus pour répondre aux exigences NSF/ANSI.

---

### Heated Dry/séchage avec chaleur

L'option Heated Dry (séchage avec chaleur) combinée à l'utilisation d'un agent de rinçage vous donnera d'excellents résultats de séchage. L'énergie requise pour utiliser Heated Dry (séchage avec chaleur) ne coûte que quelques cents par programme. Heated Dry (séchage avec chaleur) est activé quand le témoin sur le bouton Heated Dry (séchage avec chaleur) est allumé. S'assurer de bien charger les articles en plastique dans le panier supérieur pour éviter de les endommager.

L'option Heated Dry peut être annulée en appuyant sur HEATED DRY (séchage avec chaleur); le témoin lumineux s'éteint alors. Cependant, certains articles dans le lave-vaisselle ne seront pas secs à la fin du programme.

**REMARQUE :** L'option Heated Dry (séchage avec chaleur) est utilisée dans tous les programmes à l'exception de Quick Rinse (rinçage rapide).

---

### Lock On/verrouillage

Utiliser le verrouillage des commandes pour éviter l'utilisation non intentionnelle du lave-vaisselle. Le verrouillage des commandes peut aussi être utilisé pour éviter les changements non intentionnels de programme ou d'option durant un programme.

Lorsque LOCK ON (verrouillage) est allumé, tous les boutons sont désactivés.

**REMARQUE :** On peut ouvrir la porte du lave-vaisselle lorsque les commandes sont verrouillées. Toutefois, la porte doit être déverrouillée et on doit appuyer sur Start/Resume pour que le programme continue.

#### Pour enclencher le dispositif de verrouillage

Appuyer sur la touche HEATED DRY (séchage avec chaleur) pendant 4 secondes. L'indicateur LOCK ON (verrouillage) s'allume.

Lorsqu'on appuie sur une touche alors que les commandes du lave-vaisselle sont verrouillées, l'indicateur clignote 3 fois.

**REMARQUE :** Si l'option Heated Dry (séchage à chaud) est sélectionnée, le témoin s'éteint temporairement jusqu'à ce que Lock On (verrouillage) s'allume.

#### Pour déverrouiller les commandes du lave-vaisselle

Appuyer sur la touche HEATED DRY (séchage avec chaleur) pendant 4 secondes. L'indicateur lumineux s'éteint.

---

## Delay Hours/mise en marche différée

---

Choisir cette option pour mettre en marche le lave-vaisselle plus tard ou en dehors des heures de pointe. Vous pouvez ajouter des articles à la charge à tout moment pendant le délai. Après avoir ajouté des articles, bien fermer la porte jusqu'à ce qu'elle s'enclenche et appuyer sur Start/Resume pour que la mise en marche différée soit activée.

### Pour différer la mise en marche

1. Appuyer sur le bouton de délai pour choisir le nombre d'heures différées.
2. Choisir un programme de lavage et des options.
3. Appuyer sur START/RESUME (mise en marche/réinitialisation).

Le lave-vaisselle commence le programme après le nombre d'heures sélectionné.

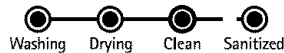
### REMARQUES :

- Pour annuler la mise en marche différée et le programme, appuyer sur CANCEL/DRAIN (annulation/vidange).
- Pour annuler la mise en marche différée et mettre le programme en marche, appuyer sur START/RESUME (mise en marche/réinitialisation).

---

## Indicateurs d'état d'avancement du programme

On peut suivre la progression du programme du lave-vaisselle en vérifiant les indicateurs d'état d'avancement du programme.



**REMARQUE :** Les caractéristiques de votre lave-vaisselle peuvent différer de celles qui sont illustrées ici.

---

## Clean/propre

---

L'indicateur Clean (propre) s'allume lorsque le programme sélectionné est terminé. Le témoin lumineux s'éteint lorsqu'on appuie sur un bouton ou qu'on ferme la porte.

---

## Sanitized/assainissement

---

Lorsqu'on sélectionne l'option Sani Rinse, l'indicateur Sanitized (assainissement) s'allume dès que ce programme est terminé. Si le lave-vaisselle n'a pas bien assaini la vaisselle, le témoin clignote à la fin du programme. Ceci peut se produire si le programme est interrompu ou si la température de l'eau à l'entrée est trop basse. Le témoin lumineux s'éteint lorsqu'on appuie sur un bouton ou qu'on ferme la porte.

---

## Évent

Pendant les programmes, l'évent permet à la vapeur d'être évacuée dans la pièce. Entre les programmes, l'évent permet la circulation de l'air, réduisant l'accumulation d'odeurs.



**IMPORTANT :** La vapeur est chaude. Ne pas toucher l'évent pendant le séchage.

---

## Dispositif de protection contre le débordement

Le dispositif de protection contre le débordement (au coin avant droit de la cuve du lave-vaisselle) empêche le lave-vaisselle de déborder. Il faut qu'il soit en place pour que le lave-vaisselle fonctionne.



S'assurer qu'il n'y a pas en dessous des objets qui puissent empêcher le dispositif de monter ou de descendre.

# LAVAGE D'ARTICLES SPÉCIAUX

En cas de doute au sujet du lavage d'un article particulier, consulter le fabricant pour déterminer s'il est lavable au lave-vaisselle.

| Matériau                   | Lavable au lave-vaisselle? | Commentaires  |
|----------------------------|----------------------------|---|
| Aluminium                  | Oui                        | L'eau chaude et les détergents peuvent affecter la finition de l'aluminium anodisé.   |
| Aluminium jetable          | Non                        | Ne pas laver les plats d'aluminium jetables au lave-vaisselle. Ils risquent de se déplacer durant le lavage et de transférer des marques noires à la vaisselle et à d'autres articles.  |
| Bouteilles et cannettes    | Non                        | Laver manuellement les bouteilles et cannettes. Les étiquettes peuvent se détacher dans le lave-vaisselle et obstruer les orifices des bras d'aspersion ou la pompe, et réduire la performance de lavage.   |
| Fonte                      | Non                        | La patine sera éliminée et la fonte rouillera.  |
| Porcelaine/grès            | Oui                        | Consulter toujours les recommandations du fabricant avant le lavage. La décoration des articles antiques, peints à la main ou l'émaillage peut se détériorer. Les dorures peuvent se dissiper ou changer de couleur.  |
| Cristal                    | Oui                        | Consulter toujours les recommandations du fabricant avant le lavage. Après plusieurs lavages, la solution de détergent peut attaquer certains types de cristal au plomb.  |
| Or                         | Non                        | Les couverts dorés subiront un changement de couleur.   |
| Verre                      | Oui                        | Le verre opaque jaunit après de nombreux lavages au lave-vaisselle.   |
| Coutellerie à manche creux | Non                        | Les manches de certains couteaux sont fixés à la lame au moyen d'un adhésif qui peut se dégager lors du lavage au lave-vaisselle.   |
| Étain, laiton, bronze      | Non                        | L'eau chaude et les détergents peuvent modifier la couleur et la finition.  |
| Plastiques jetables        | Non                        | Ce matériau ne peut résister aux effets de l'eau chaude et des détergents.  |
| Plastiques                 | Oui                        | Consulter toujours les recommandations du fabricant avant le lavage. La capacité de résister aux températures élevées et aux détergents varie parmi les articles en plastique. Il est recommandé que les articles légers tels que les couvercles et les plats à beurre soient placés dans le panier supérieur seulement. Des articles robustes tels que les accessoires de glacière et plateaux de chaise haute peuvent être placés dans le panier inférieur. Lors du lavage d'articles en plastique dans le panier inférieur, il est recommandé que le séchage à l'air soit utilisé. |
| Acier inoxydable           | Oui                        | Si le lavage n'est pas effectué immédiatement, exécuter un programme de rinçage. Le contact prolongé avec des résidus alimentaires contenant sel, vinaigre, produits laitiers ou jus de fruit peut endommager la finition.  |
| Argent sterling ou plaqué  | Oui                        | Si le lavage n'est pas effectué immédiatement, exécuter un programme de rinçage. Le contact prolongé avec des résidus alimentaires contenant sel, acide ou sulfure (œufs, mayonnaise et fruits de mer) peut endommager la finition.   |
| Fer blanc                  | Non                        | Possibilité de rouille.   |
| Ustensiles de bois         | Non                        | Laver manuellement. Consulter toujours les recommandations du fabricant avant le lavage. Le bois non traité peut se déformer, se fissurer ou perdre sa finition.  |

---

# ENTRETIEN DU LAVE-VAISSELLE

---

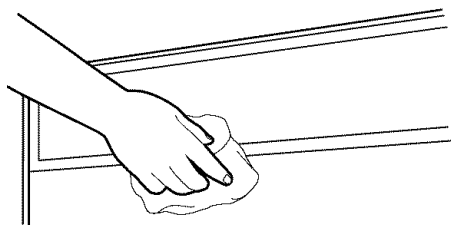
## Nettoyage

---

### Nettoyage de l'extérieur

---

Dans la plupart des cas, il suffit d'utiliser un linge doux, humide ou une éponge et un détergent doux pour nettoyer les surfaces extérieures du lave-vaisselle et préserver son aspect de produit neuf. Si l'extérieur du lave-vaisselle est en acier inoxydable, un nettoyant pour acier inoxydable est recommandé.



### Nettoyage de l'intérieur

---

Les composés minéraux présents dans l'eau dure peuvent provoquer l'accumulation d'un film blanchâtre sur les surfaces intérieures, particulièrement juste au-dessous de la porte.

Ne pas nettoyer les surfaces internes du lave-vaisselle avant qu'elles aient refroidi. Vous voudrez peut-être porter des gants en caoutchouc. Ne pas utiliser un produit de nettoyage autre que le détergent pour lave-vaisselle car cela pourrait provoquer un moussage excessif.

### Nettoyage des surfaces internes

Faire une pâte avec un détergent pour lave-vaisselle en poudre sur une éponge humide et nettoyer.

**OU**

Utiliser un détergent liquide pour lave-vaisselle automatique, et nettoyer avec une éponge humide.

**OU**

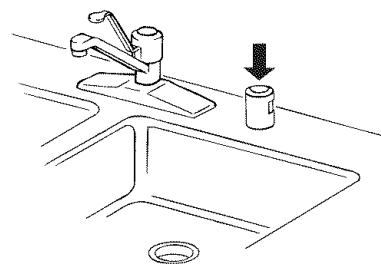
Voir la méthode de rinçage au vinaigre à la section "Taches et films sur la vaisselle" à "Dépannage".

**REMARQUE :** Effectuer un programme de lavage normal avec détergent après avoir nettoyé l'intérieur.

## Dispositif anti-refoulement

Vérifier le dispositif anti-refoulement lorsque votre lave-vaisselle ne se vidange pas bien.

Certains codes de plomberie provinciaux ou locaux exigent l'installation d'un dispositif anti-refoulement entre un lave-vaisselle encastré et le système de canalisation du domicile. Si un tuyau d'évacuation du domicile est bouché, le dispositif anti-refoulement protège votre lave-vaisselle contre un refoulement de l'eau.



Le dispositif anti-refoulement se trouve habituellement sur le dessus de l'évier ou du comptoir près du lave-vaisselle. Pour commander un dispositif anti-refoulement, composer le **1-800-4-MY-HOME®**. Demander le numéro de pièce 300096.

**REMARQUE :** Le dispositif anti-refoulement est un article de plomberie externe qui ne fait pas partie de votre lave-vaisselle. La garantie fournie avec votre lave-vaisselle ne couvre pas les coûts de service directement associés au nettoyage ou à la réparation d'un dispositif anti-refoulement externe.

### Nettoyage du dispositif anti-refoulement

---

Nettoyer le dispositif anti-refoulement périodiquement pour assurer la vidange adéquate de votre lave-vaisselle. Suivre les instructions de nettoyage fournies par le fabricant. Pour la plupart des types, il suffit de soulever le couvercle chromé, de dévisser le capuchon de plastique, puis de vérifier s'il y a une accumulation de saleté. Nettoyer au besoin.

## Remisage

---

### Remisage pour l'été

---

Protéger le lave-vaisselle au cours des mois d'été en fermant l'approvisionnement d'eau et en déconnectant le lave-vaisselle de l'alimentation électrique.

### Hivernisation du lave-vaisselle

---

Protéger le lave-vaisselle et le domicile contre les dommages par l'eau, attribuables au gel des conduites d'eau. Si le lave-vaisselle est laissé dans une résidence saisonnière ou risque d'être exposé à des températures près du degré de congélation, faites hiverner le lave-vaisselle par un technicien de service agréé.

# DÉPANNAGE

Essayer d'abord les solutions suggérées ici; elles pourraient vous éviter le coût d'une visite de service...

## Le lave-vaisselle ne fonctionne pas correctement

### ■ Le lave-vaisselle ne fonctionne pas ou s'arrête au cours d'un programme

La porte est-elle bien fermée et enclenchée?

A-t-on sélectionné le bon programme? Consulter "Tableaux de sélection de programmes".

Le lave-vaisselle est-il alimenté par le courant électrique? Un fusible est-il grillé ou un disjoncteur s'est-il déclenché? Remplacer le fusible ou réenclencher le disjoncteur. Si le problème persiste, appeler un électricien.

Le moteur s'est-il arrêté par suite d'une surcharge? Le moteur se réactive automatiquement après quelques minutes. S'il ne se remet pas en marche, contacter le service de dépannage.

Le robinet d'arrêt (le cas échéant) est-il ouvert?

Il est normal pour certains programmes de faire des pauses répétées pendant quelques secondes lors du programme de lavage.

### ■ Le témoin lumineux START/RESUME (mise en marche/réinitialisation) clignote

La porte a-t-elle été ouverte durant le programme ou le courant électrique a-t-il été interrompu? Le témoin Start/Resume clignote lors de l'ouverture de la porte durant un programme ou est susceptible de clignoter en cas de coupure de courant. Appuyer sur START/RESUME (mise en marche/réinitialisation) pour remettre le programme en marche. S'assurer que la porte est bien fermée et verrouillée.

### ■ Le témoin lumineux Clean (propre) clignote

Il y a eu un dysfonctionnement du lave-vaisselle. Appeler le service technique.

### ■ Le lave-vaisselle ne se remplit pas

Le dispositif de protection contre le débordement peut-il monter et descendre librement? Appuyer pour le libérer.

### ■ La durée d'exécution du programme semble être trop longue

L'eau fournie au lave-vaisselle est-elle suffisamment chaude? Le lave-vaisselle fonctionne plus longtemps durant le chauffage de l'eau. Voir la section "Conseils d'efficacité pour le lave-vaisselle".

Une période d'attente s'ajoute automatiquement dans certains programmes de lavage et de rinçage jusqu'à ce que l'eau atteigne la température correcte.

### ■ Résidus d'eau dans le lave-vaisselle

Le programme est-il achevé?

A-t-on retiré le bouchon d'éjection du broyeur de déchets au cours de l'installation? (Voir "Installation du tuyau d'évacuation" dans les Instructions d'installation.)

### ■ Résidus de détergent dans la section avec couvercle du distributeur

Le programme est-il terminé?

Le détergent est-il libre de grumeaux? Remplacer le détergent au besoin.

Le panier inférieur est-il installé correctement avec les butées (sur certains modèles) à l'avant? Voir la section "Pièces et caractéristiques". Réinstaller le panier au besoin.

### ■ Apparition d'un résidu blanc à l'avant du panneau d'accès

A-t-on utilisé une quantité excessive de détergent? Voir la section "Distributeur de détergent".

La marque de détergent utilisée produit-elle trop de mousse? Essayer une marque de détergent différente pour réduire le moussage et éliminer l'accumulation.

### ■ Odeur dans le lave-vaisselle

La vaisselle est-elle lavée tous les 2 ou 3 jours? Exécuter un programme de rinçage une ou deux fois par jour jusqu'à ce qu'une charge complète soit accumulée.

Le lave-vaisselle a-t-il une odeur de plastique neuf? Effectuer un rinçage au vinaigre décrit à "Taches et films sur la vaisselle" plus loin dans ce guide de dépannage.

### ■ Condensation sur le comptoir de la cuisine (modèles encastrés)

Le lave-vaisselle est-il aligné avec le dessus du comptoir? L'humidité sortant de l'évent de la console du lave-vaisselle peut se former sur le comptoir. Voir les instructions d'installation pour plus de renseignements.

## Vaisselle pas complètement nettoyée

### ■ Résidus de produits alimentaires sur la vaisselle

La vaisselle est-elle chargée correctement? Voir la section "Chargement du lave-vaisselle".

La température de l'eau est-elle trop basse? Pour les meilleurs résultats de lavage, l'eau devrait être à 120°F (49°C) à son entrée dans le lave-vaisselle. Voir la section "Conseils d'efficacité pour le lave-vaisselle".

A-t-on utilisé la bonne quantité de détergent frais? Utiliser seulement les détergents recommandés pour lave-vaisselle. Voir la section "Distributeur de détergent". Pour qu'il soit efficace, il faut que le détergent soit frais. Remiser le détergent dans un endroit frais et sec. Une vaisselle très sale et/ou une eau dure nécessitent généralement un supplément de détergent.

L'eau que vous utilisez est-elle dure? Il se peut que vous ayez besoin d'augmenter la quantité de détergent que vous utilisez. Consulter la section "Distributeur de détergent". Il se peut également que vous ayez besoin de changer et de choisir un détergent avec un contenu de phosphore de 8,7 %.

Y a-t-il des grumeaux de détergent dans le distributeur? Utiliser uniquement un détergent frais. Ne pas laisser le détergent pendant plusieurs heures dans un distributeur humide. Nettoyer le distributeur lorsqu'il s'y trouve des grumeaux de détergent.

La pompe ou le bras d'aspersion est-elle/il obstrué(e) par des étiquettes de bouteilles et de cannettes?

La pression d'eau du domicile est-elle suffisamment élevée pour un remplissage convenable du lave-vaisselle? La pression d'eau du domicile devrait être de 20 à 120 lb/po<sup>2</sup> (138 à 828 kPa). Si vous avez des questions au sujet de la pression de votre eau, appeler un plombier qualifié agréé.

Une accumulation de mousse ralentit-elle le bras d'aspersion? Ne pas utiliser de savon ou de détergent à lessive. Utiliser uniquement les détergents recommandés pour lave-vaisselle.

---

## Présence de taches sur la vaisselle

---

### ■ Taches et films sur la vaisselle

L'eau est-elle dure ou contient-elle une concentration élevée de minéraux? Le conditionnement de l'eau de rinçage final avec un agent de rinçage liquide favorise l'élimination des taches et films. Veiller à ce que le distributeur soit toujours rempli d'un agent de rinçage.

La température de l'eau est-elle trop basse? Pour les meilleurs résultats de lavage, l'eau devrait être à 120°F (49°C) à son entrée dans le lave-vaisselle. Voir la section "Conseils d'efficacité pour le lave-vaisselle".

A-t-on utilisé la bonne quantité de détergent efficace? Utiliser seulement les détergents recommandés pour lave-vaisselle. Voir la section "Distributeur de détergent". Pour qu'il soit efficace, il faut que le détergent soit frais. Remiser le détergent dans un endroit frais et sec. Une vaisselle très sale et/ou une eau dure nécessitent généralement un supplément de détergent.

La pression d'eau du domicile est-elle suffisamment élevée pour un remplissage convenable du lave-vaisselle? La pression d'eau du domicile devrait être de 20 à 120 lb/po<sup>2</sup> (138 à 828 kPa). Si vous avez des questions au sujet de la pression de votre eau, appeler un plombier qualifié agréé.

**REMARQUE :** Pour éliminer les taches et films sur la vaisselle, essayer un rinçage au vinaigre blanc. Cette méthode ne devrait être utilisée qu'occasionnellement. Le vinaigre est un acide et son utilisation trop fréquente pourrait endommager le lave-vaisselle.

1. Laver et rincer la vaisselle. Utiliser le séchage à l'air ou une option de séchage économique. Enlever tous les couverts ou articles métalliques.
2. Ajouter 2 tasses (500 mL) de vinaigre blanc dans une tasse à mesurer lavable au lave-vaisselle et la placer dans le panier inférieur.
3. Faire exécuter au lave-vaisselle un programme de lavage complet et un séchage à l'air. Ne pas utiliser de détergent. Le vinaigre se mélangera à l'eau de lavage.

### ■ Film de silice ou attaque (le film de silice est un dépôt blanc irisé; l'attaque produit l'apparence d'un film translucide)

Il y a parfois une réaction chimique de l'eau avec certains types de verres. Ceci est habituellement imputable à certaines combinaisons d'eau douce ou adoucie, solutions de lavage alcalines, rinçage insuffisant, chargement excessif du lave-vaisselle, et la chaleur de séchage. Il peut être nécessaire de laver manuellement ces articles pour éliminer complètement le problème.

Pour ralentir ce processus, utiliser la quantité minimale de détergent par charge. Utiliser un agent de rinçage liquide, et ne pas trop charger le lave-vaisselle pour permettre un rinçage à fond. Il n'est pas possible d'éliminer le film de silice ou l'effet de l'attaque chimique qui demeurent en permanence. Ne pas utiliser un séchage avec chaleur.

### ■ Taches blanches sur les ustensiles de cuisson à revêtement antiadhésif

Le détergent du lave-vaisselle a-t-il éliminé la patine? Générer une nouvelle patine après le lavage au lave-vaisselle.

### ■ Taches marron sur la vaisselle et les surfaces internes du lave-vaisselle

L'eau comporte-t-elle une concentration de fer élevée? Laver de nouveau la vaisselle après avoir versé 1 à 3 c. à thé (5-15 mL) de cristaux d'acide citrique dans la section fermée du distributeur de détergent. Ne pas utiliser de détergent. Exécuter ensuite un programme de lavage Normal avec détergent. Si ce traitement est nécessaire plus fréquemment qu'à intervalles de deux mois, on recommande l'installation d'un dispositif d'élimination du fer.

### ■ Marques noires ou grises sur la vaisselle

Des articles d'aluminium frottent-ils contre la vaisselle durant le lavage? Les articles d'aluminium jetables peuvent se détériorer dans le lave-vaisselle et causer des marques. Laver ces articles à la main. Pour éliminer les marques d'aluminium, employer un produit de nettoyage moyennement abrasif.

### ■ Taches orange sur les articles de plastique ou les surfaces internes du lave-vaisselle

Place-t-on dans le lave-vaisselle de la vaisselle sur laquelle il y a une quantité considérable de résidus alimentaires à base de tomates? Les taches peuvent se dissiper graduellement à la longue. L'utilisation fréquente du séchage avec chauffage peut ralentir le processus de dissipation des taches. Les taches n'affectent pas la performance du lave-vaisselle. Pour réduire le risque de formation de taches, utiliser régulièrement un programme de rinçage et un séchage à l'air ou une option de séchage économique.

---

### Vaisselle pas complètement sèche

---

#### ■ La vaisselle n'est pas sèche

Le lave-vaisselle a-t-il été chargé de manière à permettre un drainage adéquat de l'eau? Ne pas charger excessivement. Voir la section "Chargement du lave-vaisselle". Utiliser un agent de rinçage liquide pour accélérer le séchage.

Les articles de plastique sont-ils humides? Il est souvent nécessaire de sécher les articles de plastique avec une serviette.

Le distributeur d'agent de rinçage est-il vide? Voir la section "Distributeur d'agent de rinçage".

A-t-on utilisé un séchage à l'air? Utiliser une option de séchage avec chauffage pour une vaisselle plus sèche.

---

### Vaisselle endommagée au cours d'un programme

---

#### ■ Écaillage de la vaisselle

A-t-on chargé le lave-vaisselle correctement? Charger la vaisselle et les verres de telle manière qu'ils soient stables et qu'ils ne s'entrechoquent pas lors du lavage. Minimiser l'écaillage en déplaçant lentement les paniers.

**REMARQUE :** Les antiquités, le cristal très mince et certains types de porcelaine et de verre peuvent être trop délicats pour le lavage automatique. Laver à la main.

---

### Bruits

---

#### ■ Émission de bruits de broyage ou de bourdonnement

Un objet dur a pénétré dans le module de lavage (sur certains modèles). Le bruit devrait cesser après le broyage de l'objet. Si le bruit persiste après un programme complet, faire un appel de service.

---

### L'extérieur du lave-vaisselle est sale ou marqué

---

#### ■ Marques, taches ou résidus sur l'extérieur du lave-vaisselle

Avez-vous nettoyé le lave-vaisselle avec un détergent doux et un chiffon ou avez-vous utilisé un nettoyant pour acier inoxydable sur les modèles à extérieur en acier inoxydable? Dans la plupart des cas, il suffit d'utiliser un linge doux humide ou une éponge et un détergent doux pour nettoyer les surfaces extérieures du lave-vaisselle et préserver son aspect de produit neuf. Si l'extérieur de votre lave-vaisselle est en acier inoxydable, un nettoyant pour acier inoxydable est recommandé.

# Get it fixed, at your home or ours!

## Your Home

For repair – **in your home** – of **all** major brand appliances, lawn and garden equipment, or heating and cooling systems, **no matter who made it, no matter who sold it!**

For the replacement parts, accessories and owner's manuals that you need to do-it-yourself.

For Sears professional installation of home appliances and items like garage door openers and water heaters.

**1-800-4-MY-HOME®** (1-800-469-4663)

Call anytime, day or night (U.S.A. and Canada)

[www.sears.com](http://www.sears.com)      [www.sears.ca](http://www.sears.ca)

*For expert home solutions advice: [www.managemyhome.com](http://www.managemyhome.com)*

---

## Our Home

For repair of carry-in items like vacuums, lawn equipment, and electronics, call or go on-line for the location of your nearest

**Sears Parts & Repair Service Center**

**1-800-488-1222** (U.S.A.)      **1-800-469-4663** (Canada)

Call anytime, day or night

[www.sears.com](http://www.sears.com)      [www.sears.ca](http://www.sears.ca)

---

To purchase a protection agreement on a product serviced by Sears:

**1-800-827-6655** (U.S.A.)

**1-800-361-6665** (Canada)

---

Para pedir servicio de reparación a domicilio, y para ordenar piezas:

**1-888-SU-HOGAR®**

(1-888-784-6427)

Au Canada pour service en français:

**1-800-LE-FOYER<sup>MC</sup>**

(1-800-533-6937)

[www.sears.ca](http://www.sears.ca)

