

CONVECTION MICROWAVE OVEN INSTALLATION INSTRUCTIONS

**INSTALLATION AND SERVICE MUST BE PERFORMED BY A QUALIFIED INSTALLER.
IMPORTANT: SAVE FOR LOCAL ELECTRICAL INSPECTOR'S USE.
READ AND SAVE THESE INSTRUCTIONS FOR FUTURE REFERENCE.**

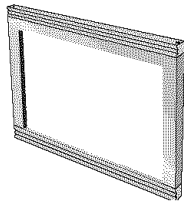
⚠ WARNING The electrical requirements for this oven are 115-120 volts AC, 15 amps or larger.

IMPORTANT - PLEASE READ AND FOLLOW

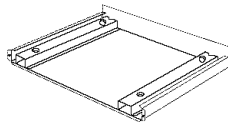
- Before beginning, please read these instructions completely and carefully.
- Be sure to DISCONNECT THE PLUG of the microwave oven from the electrical outlet before installing the built-in trim kit. Remove the turntable from the oven cavity.
- Because the kit includes metal parts, caution should be used in handling and installation to avoid the possibility of injury.
- Do not remove permanently affixed labels, warnings, or plates from the product. This may void the warranty.
- Please observe all local and national codes and ordinances.
- **The installer should leave these instructions with the consumer who should retain for local inspector's use and for future reference.**

PARTS INCLUDED IN THE KITS

1) Front Frame Assembly
QTY 1



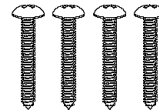
2) Bottom Duct Assembly
QTY 1



3) Screw A (1/2" length)
QTY 10



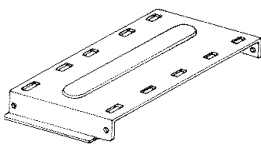
4) Screw B (1" length)
QTY 4



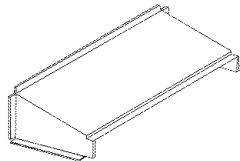
5) Screw C (1 3/16" length)
QTY 2



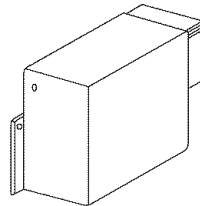
6) Duct A (1)
QTY 1



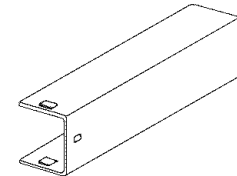
7) Duct A (3)
QTY 1



8) Duct B
QTY 1



9) Duct C
QTY 1



CONVECTION MICROWAVE OVEN INSTALLATION INSTRUCTIONS

NOTE:

1. Base must be capable of supporting 200 pounds (90.7 kg).
2. Make sure base is level and front of cabinet is square. If the cabinet base is not level, the oven will tend to slide out when opening the door.
3. Provide an opening in the wall or cabinet as indicated in Illustration 1. The depth should be a minimum of 20 1/8" (51.1 cm). The floor of the opening should be constructed of plywood strong enough to support the weight of the convection microwave oven (about 100 lbs.) and should be level for proper operation of the oven.

NOTE: While the proper functioning of the convection microwave oven does not require that the opening be enclosed (with sides, ceiling and rear partition), this may be required by local code, and it is suggested that the local code be checked for any such requirement.

4. Outlet should NOT be in the shaded area as indicated on illustration 1a. At the rear of the opening, provide a 3-pronged, polarized, electrical outlet, 115-120 volt AC, 15 amp or larger.
5. Minimum required distance between the convection microwave oven and the wall oven should be 2-inches.

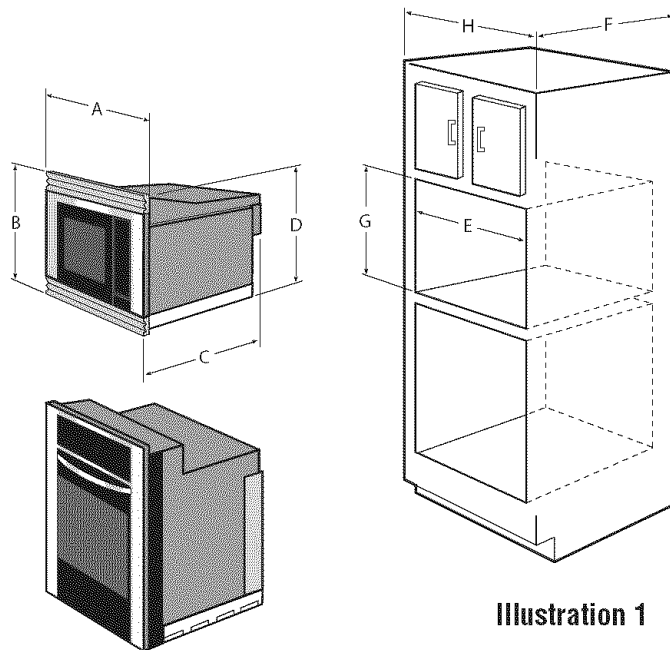


Illustration 1

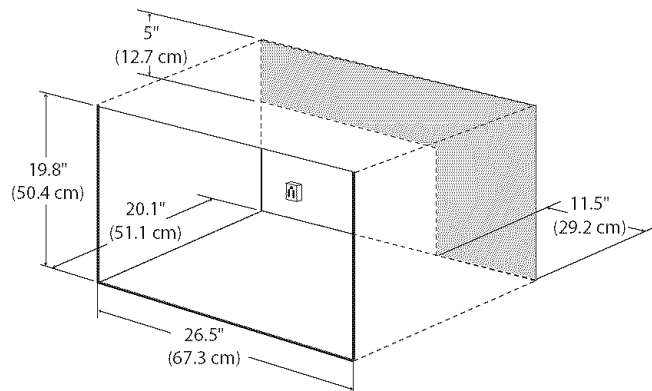


Illustration 1a

BASIC SPECIFICATIONS

PUSHBUTTON CONVECTION MICROWAVE OVEN					
E30MOGSS					
(A) Overall Width	30"	(76.2 cm)	(E) Cutout Width	26.5"	(67.3 cm)
(B) Overall Height from Bottom	21.7"	(55.0 cm)	(F) Cabinet Depth	24" min.	(61.0 cm)
(C) Overall Depth from Rear	20.9"	(53.1 cm)	(G) Cutout Height	19.8"	(50.4 cm)
(D) Overall Height Top to Bottom Duct	19.6"	(49.9 cm)	(H) Cabinet Width	30" min.	(76.2 cm)
Electrical Requirements	120VAC/60 Hz (UL) 117VAC/60 Hz (CSA)		Max. Amp Usage	1.55 KW 13.0 amps (UL) 1.50 KW 13 (CSA)	
Approx. Shipping Wt.	60 lbs. (27.2 kg)				
TRIM KIT DIMENSIONS					
Height	21 3/8"	(54.3 cm)	Width	30"	(76.2 cm)
			Depth	1"	(2.54 cm)

Refer to Figure 1. All dimensions are in inches (cm).

CONVECTION MICROWAVE OVEN INSTALLATION INSTRUCTIONS

EXHAUST DUCT ASSEMBLY

1. Insert the edge of DUCT (B) into the hold lip of DUCT (C). Secure together by using a SCREW (A) provided in the kit. Remove the existing screw (#1) at upper right rear of the oven and secure DUCT (C) with the screw (#1) just removed from the oven. Secure DUCT (B) with SCREW (A) through the duct and into the original screw hole in the oven. See illustration 2.
2. Position DUCT (A)-1 on the top of the oven inserting edge of DUCT (BC) assembly into hole lip of DUCT (A)-1. Tighten two SCREWS (A), securing DUCT (A)-1 to DUCT (BC) assembly. See illustration 3.
3. Position DUCT (A)-2 on top of the oven and insert it into DUCT (A)-3. Secure DUCT (A)-2 using three screws (A) provided. See illustration 4.
4. Place the Bottom Duct in the opening. When the Bottom Duct Assembly is in the opening correctly, the flanges will be tightly against the lower edge of the opening. See Illustration 5.
5. Secure the Bottom Duct Assembly with the two (1 3/16") screws C. **IMPORTANT:** Secure screws in outer hole.

Illustration 2

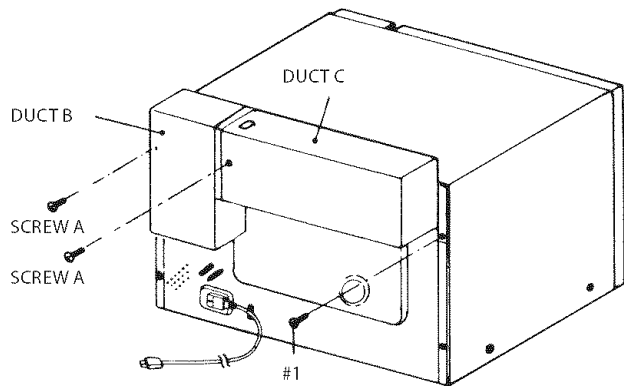


Illustration 3

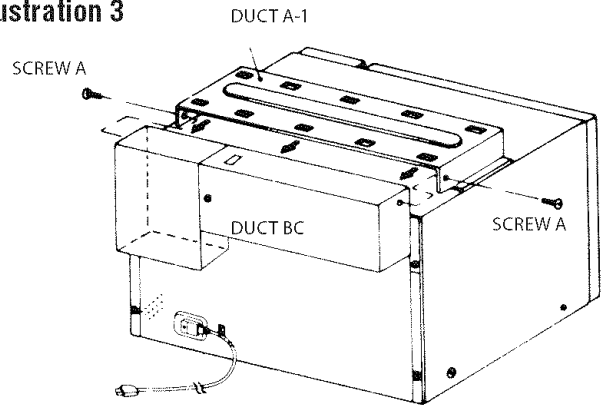


Illustration 4

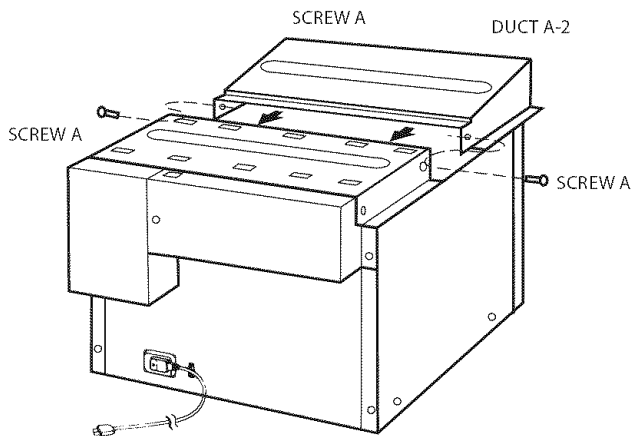
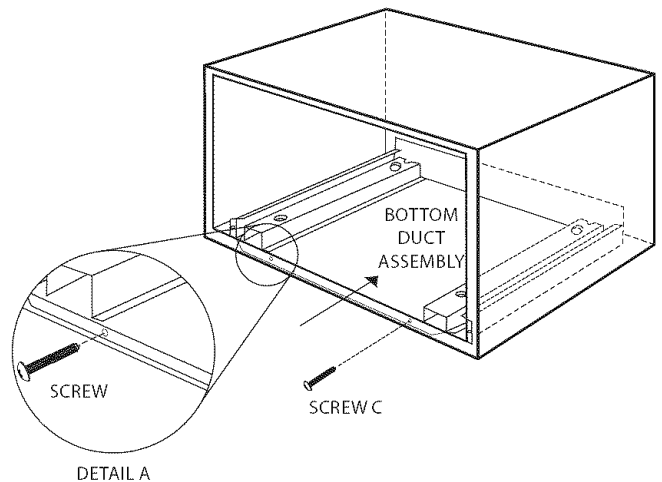


Illustration 5

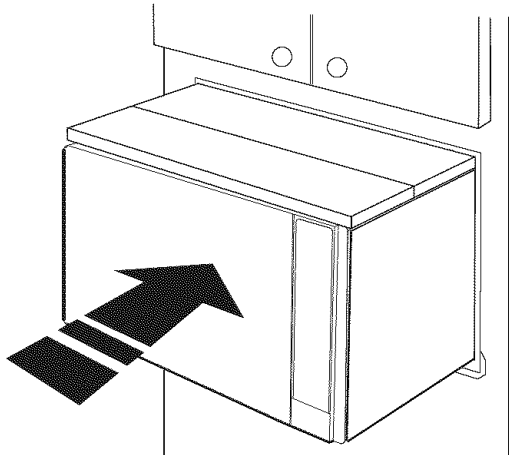


CONVECTION MICROWAVE OVEN INSTALLATION INSTRUCTIONS

CABINET INSTALLATION

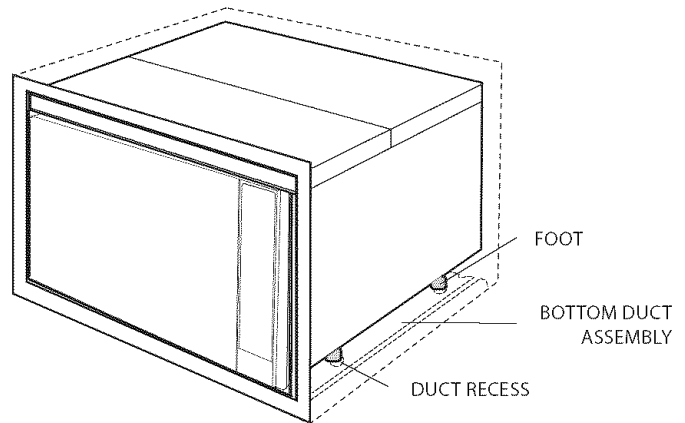
1. Place the oven adjacent to the wall or cabinet opening. Plug the power cord into the electrical outlet.
2. Carefully guide the assembled oven into the prepared opening. Slide the oven on the Bottom Duct Assembly.

Illustration 7



See Illustration 7. Avoid pinching the cord between the oven and the wall. Adjust the position of the oven so that the feet of the oven are fitted into the recesses of the Bottom Duct Assembly. See Illustration 8.

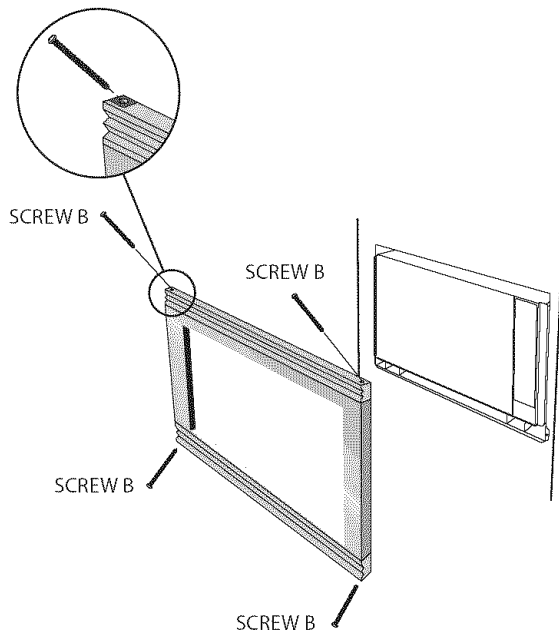
Illustration 8



FRAME INSTALLATION

Attach the built-in trim kit frame with 4 SCREW (B)s. See illustration 9.

Illustration 9



MODEL AND SERIAL NUMBER LOCATION

The serial plate is located on the oven faceplate.

When ordering parts for or making inquiries about your oven, always be sure to include the model and serial numbers and a lot number or letter from the serial plate on your oven.

BEFORE YOU CALL FOR SERVICE

Refer to the warranty in your Use & Care Guide for our toll-free service number and address. Please call or write if you have inquiries about your product and/or need to order parts.