

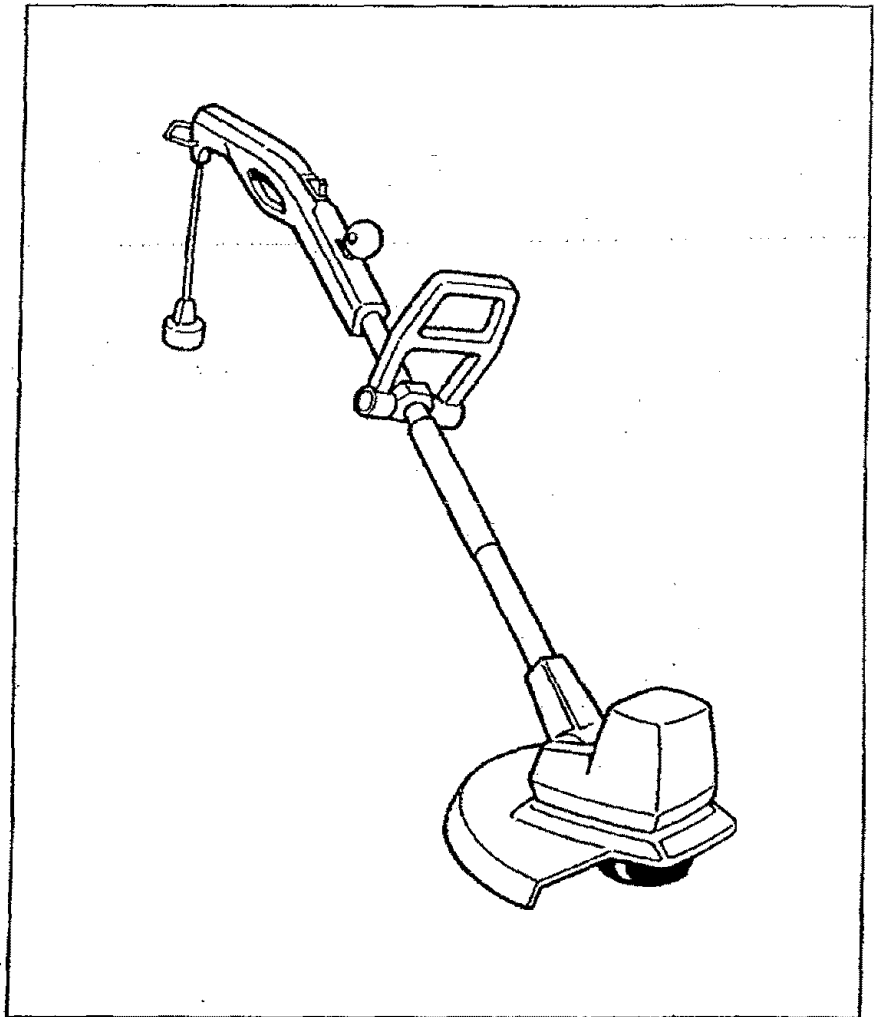
IMPORTANT MANUAL

Do Not Throw Away

SEARS

**Operator's
Manual**

**Model No.
257.798031
(15" Cutting Path)**



Always Wear Eye Protection During Operation



▲ WARNING:

Read the Operator's Manual and Follow All Warnings and Safety Instructions. Failure To Do So Can Result in Serious Injury.

SEARS/CRAFTSMAN®

ELECTRIC TRIMMER

DOUBLE INSULATED

- Assembly
- Maintenance
- Operation
- Repair Parts

Sold by Sears, Roebuck and Co., Chicago, Ill. 60684 USA

ONE YEAR LIMITED WARRANTY ON CRAFTSMAN WEEDWACKER®

For One Year from date of purchase, when this Electric Line Trimmer is maintained and used according to the operating and maintenance instructions in the operator's manual, Sears will repair free of charge any defect in material or workmanship.

This warranty excludes nylon line or any other parts which are expendable parts and become worn during normal use.

If this Electric Line Trimmer is used for commercial or rental purposes, this warranty applies for only 30 days from the date of purchase.

WARRANTY SERVICE IS AVAILABLE BY RETURNING THE UNIT TO THE NEAREST SEARS SERVICE CENTER/DEPARTMENT IN THE UNITED STATES. This warranty applies only while this product is in use in the United States.

This warranty gives you specific legal rights, and you may also have other rights which vary from state to state.

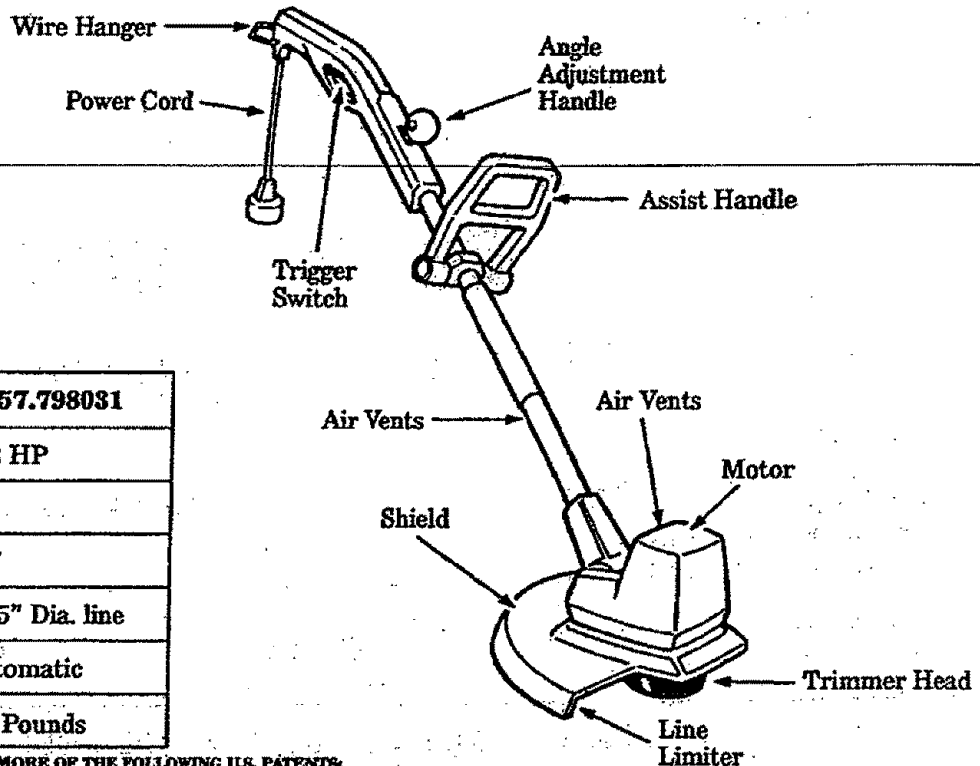
SEARS, ROEBUCK AND CO. DEPT D/731CR-W SEARS TOWER CHICAGO, IL 60684

TABLE OF CONTENTS

WARNINGS AND SAFETY INSTRUCTIONS . . .	3	USING YOUR UNIT	
KNOW YOUR UNIT	5	A. Line Trimmer Safety	8
A. Introduction	5	B. Operating Instructions	9
B. Unpacking Instructions	5	C. Adjustable Handle	9
C. Carton Contents	5	D. Trimmer Line Advance	9
D. Double Insulation Construction	5	E. Cutting Methods	9
ASSEMBLY	6	F. Line Replacement	10
A. Assist Handle Attachment	6	GENERAL MAINTENANCE	
B. Tube Assembly	6	A. Maintenance Safety	11
C. Shield Attachment	6	B. Trouble Shooting Chart	11
D. Pre-Operation Checks	7	ACCESSORIES	11
E. Extension Cord Attachment	7	PARTS AND SERVICE	Back Cover
F. Operating Position	7		

SPECIFICATIONS

MODEL:	257.798031
MOTOR:	1/2 HP
AMPS:	4.1
CUTTING PATH:	15"
CUTTING LINE:	.065" Dia. line
LINE FEED:	Automatic
WEIGHT:	7.5 Pounds



MANUFACTURED UNDER ONE OR MORE OF THE FOLLOWING U.S. PATENTS: 4,490,910; 4,860,451; 4,326,557; DES 301,009. Other U.S. and foreign patents pending.

⚠ WARNINGS AND SAFETY INSTRUCTIONS

(See Additional Safety Instructions throughout this Manual)

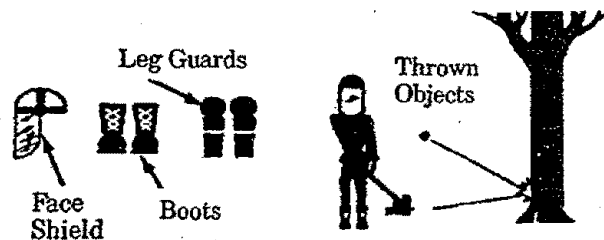
⚠ WARNING – THIS POWER UNIT CAN BE DANGEROUS! This unit can cause serious injury or blindness to the operator and others. When using an electric trimmer, these basic safety precautions must be followed to reduce the risk of injury, fire, and electric shock. Failure to follow all instructions can result in blindness or other serious injury. The operator is responsible for following the warnings and instructions in this manual and on the unit. Read the entire Operator's Manual before assembling and using this unit! Restrict the use of this unit to persons who read, understand, and follow the warnings and instructions in this manual and on the unit.



⚠ DANGER

NEVER USE BLADES WITH THIS UNIT.

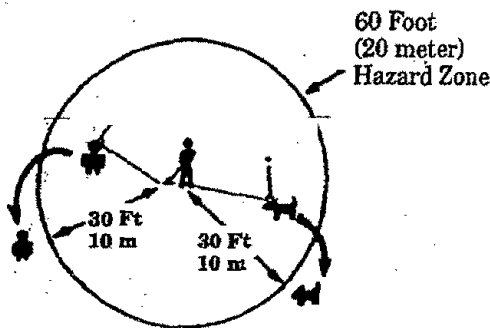
- THE BLADE CAN COME OFF AND SERIOUSLY HURT YOU AND OTHERS.
- THIS UNIT IS DESIGNED FOR LINE TRIMMER USE ONLY



⚠ WARNING

TRIMMER LINE CAN THROW OBJECTS VIOLENTLY.

- YOU CAN BE BLINDED OR INJURED.
- WEAR EYE AND LEG PROTECTION.



⚠ WARNING

HAZARD ZONE FOR THROWN OBJECTS

- TRIMMER LINE CAN THROW OBJECTS VIOLENTLY.
- OTHERS CAN BE BLINDED OR INJURED.
- KEEP PEOPLE AND ANIMALS 30 FEET (10 METERS) AWAY.



Operator's Manual



⚠ WARNING

READ OPERATOR'S MANUAL.

- FOLLOW ALL WARNINGS AND INSTRUCTIONS.
- FAILURE TO DO SO CAN RESULT IN SERIOUS INJURY.

WARNINGS AND SAFETY INSTRUCTIONS...(Continued)

▲ OPERATOR SAFETY

3. **DRESS PROPERLY**—Always wear eye protection. Always wear heavy, long pants, boots, and gloves. Wearing safety leg guards is recommended. See "Accessories." Do not go barefoot or wear sandals, short pants, jewelry, loose clothing, or clothing with loosely hanging straps, ties, tassels, etc.. Secure hair so it is above shoulder length. Being fully covered will help protect you from pieces of toxic plants such as poison ivy thrown by the trimmer head which could be more of a hazard than touching the plant itself.
4. **STAY ALERT**—Do not operate this unit when you are tired, ill, or under the influence of alcohol, drugs, or medication.
5. **AVOID UNINTENTIONAL STARTING OF THE UNIT**—Never carry the unit with your finger on the switch. Be sure the switch is in the off position before connecting the extension cord.
6. Restrict the use of this unit to persons who read, understand, and follow the warnings and instructions in this manual and on the unit.

▲ ELECTRICAL SAFETY

1. Use only a 120 A.C. voltage supply as shown on the name plate of the unit.
2. Avoid dangerous situations. Do not use in the presence of flammable liquids or gases to avoid creating a fire or explosion and/or causing damage to unit.
3. **WARNING—TO REDUCE THE RISK OF ELECTRICAL SHOCK**—Do not use in damp or wet locations or around swimming pools, hot tubs, etc. Do not expose to snow, rain, or water to avoid the possibility of electrical shock.
4. **WARNING**—Use extension cords specifically marked as suitable for outdoor appliances having electrical rating not less than the rating of the unit. An undersized extension cord will cause a drop in line voltage resulting in loss of power and overheating. If in doubt, use the next heavier gauge. The smaller the gauge number, the heavier the cord. (NOTE: Figure 4 shows the correct size to be used depending on the cord length).
5. **DO NOT ATTEMPT TO REPAIR UNIT**—Inspect the insulation and connectors on the unit and extension cord before each use. If there is any damage, do not use until damage is repaired by qualified service personnel.
6. Never carry the unit by the extension cord or yank the extension cord to disconnect the unit.
7. To reduce the possibility of the extension cord disconnecting from the unit during operation, tie the cords together as shown in Figure 4. Insert the Cord Socket on the unit into the Extension Cord Receptacle. Figure 4.
8. Do not use the unit if the switch does not turn the unit on and off properly. Repairs to the switch must be made by qualified service personnel.
9. Keep the extension cord clear of operator and obstacles at all times. Do not expose cords to heat, oil, water, or sharp edges.
10. Avoid any body contact with any grounded conductor, such as metal pipes or wire fences, to avoid the possibility of electric shock.

▲ UNIT SAFETY

1. Inspect entire unit before each use. Replace damaged parts. Make sure all fasteners are in place and securely fastened.
2. Replace trimmer head parts that are cracked, chipped, or damaged before using the unit.
3. Use only .051" diameter line. Never use wire, rope, string etc.
4. Install the shield properly before using the unit.
5. Use only the specified trimmer head. Make sure the trimmer head is properly installed and securely fastened. Refer to "Assembly."
6. Use only genuine SEARS accessories as recommended for this unit.

▲ CUTTING SAFETY

1. Inspect the area to be cut before each use. Remove objects (rocks, broken glass, nails, wire, string, etc.) which can be thrown or become entangled in the trimmer head.
2. **KEEP CHILDREN AWAY**—Keep others including children, animals, bystanders and helpers outside the 60 foot (20 meter) Hazard Zone. Stop the unit immediately if you are approached.
3. Avoid accidental starting. Be sure the switch is in the "OFF" position and keep your hand and fingers away from the switch while connecting the unit to an extension cord or when carrying a unit connected to a power source.
4. Stop the unit and disconnect the power source when not in use.
5. **DO NOT OVERREACH OR STAND ON UNSTABLE SUPPORT**—Keep firm footing and balance. Do not over-reach.
6. Keep the trimmer head below waist level.
7. Do not raise the unit above your waist. The trimmer head can come dangerously close to your body.
8. Keep all parts of your body away from trimmer head when unit is running.
9. **USE UNIT PROPERLY**—Use only for jobs explained in this manual. Do not force the unit.

▲ MAINTENANCE SAFETY

1. Maintain the unit according to recommended procedures. Keep the cutting line at the proper length.
2. Have all internal service performed by qualified service personnel to avoid creating a hazard and/or voiding your warranty.
3. **DISCONNECT UNIT FROM THE POWER SUPPLY** before performing maintenance.
4. Never douse or squirt the unit with water or any other liquid. Clean with a damp sponge. See "Maintenance — Storage."
5. Keep the air vents clean and free of debris to avoid overheating the motor. Clean after each use. See "Specifications" for locations.
6. Use only genuine SEARS replacement parts as recommended.

▲ TRANSPORTING AND STORAGE

1. Hand carry the unit with the motor stopped.
2. Allow the unit to cool and secure the unit before storing or transporting in a vehicle.
3. Store the unit so the line limiter cannot accidentally cause injury.
4. **STORE UNIT INDOORS**—Store unit unplugged in a high, dry place out of the reach of children.

If situations occur which are not covered in this manual, use care and good judgment. Contact your Authorized Service Dealer if you need assistance.

SAVE THESE INSTRUCTIONS

KNOW YOUR UNIT

A. INTRODUCTION

Your Trimmer is a versatile product developed for large lawns and to make short work of a variety of lawn care tasks — trimming, scalping, mowing, and sweeping.

Special Features Include:

- Adjustable Assist Handle
- Adjustable Top Handle/Tube Assembly
- 15" Cutting Path

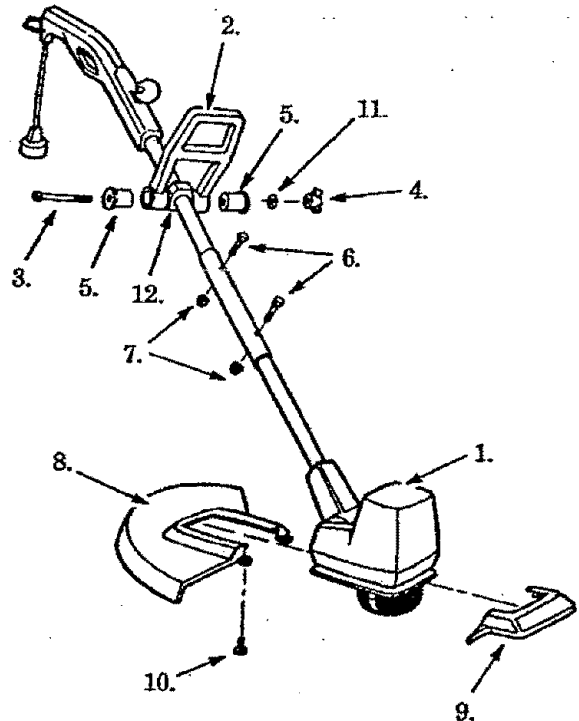
B. UNPACKING INSTRUCTIONS

1. After removing the contents from the carton, check parts against the Carton Contents list.
2. Examine the parts for damage. Do not use damaged parts.
3. *Notify your SEARS store immediately if a part is missing or damaged.*

C. CARTON CONTENTS

KEY

NO.	DESCRIPTION	QTY	P/N
1.	Trimmer	1	257.798031
—	Operator's Manual (not shown)	1	534068294
Loose Parts Bag Contents:			
2.	Assist Handle	1	534683405
3.	Screw — Assist Handle	1	534828401
4.	Knob — Assist Handle	1	534683305
5.	Insert — Assist Handle	2	534719105
6.	Screw — Tube	2	534774701
7.	Locknuts — Tube	2	534828300
8.	Shield	1	534683825
9.	Front Guard	1	534677215
10.	Screw — Shield	2	534790303
11.	Washer	3	534828702
12.	Yoke	1	534683205



D. DOUBLE INSULATION CONSTRUCTION

This unit is Double Insulated to help protect against electric shock. Double insulation construction consists of two separate "layers" of electrical insulation.

Tools built with this insulation system are not intended to be grounded. As a result, the extension cord used with your unit can be plugged into any standard 120 volt electrical outlet.

Safety precautions must be observed when operating any electrical tool. The double insulation system only provides added protection against injury resulting from an internal electrical insulation failure.

▲ WARNING

All electrical repairs to this unit, including housing, switch, motor, etc., must be diagnosed and repaired by qualified service personnel. Replacement parts for a double insulated appliance must be identical to the parts they replace. A double insulated appliance is marked with the words "DOUBLE INSULATION" or "DOUBLE INSULATED." The symbol (square within a square) may also be marked on the appliance. Failure to have the unit repaired by Sears qualified service personnel can cause the double insulation construction to become ineffective and result in serious injury.

ASSEMBLY

If your unit is received assembled, repeat all steps in this section to be sure assembly is correct and is adjusted for the operator.)

PREPARATION

This Operator's Manual is designed to help you assemble and safely operate this unit. It is important that you read the entire manual to become familiar with the tool *before* you begin assembly.

TOOLS NEEDED FOR ASSEMBLY:

1. Phillips Screwdriver
2. Adjustable Wrench

A. ASSIST HANDLE ATTACHMENT

1. Pass the wire harness through the slot in the bottom of the Yoke. Figure 1 (inset).
2. Slide the Yoke onto the Upper Tube as shown in Figure 1 (inset).
3. Place the Assist Handle over the Yoke. Assemble parts as shown in Figure 1.
4. Place the bolt in the Assist Handle. Figure 1. Thread the Knob onto the bolt and tighten until the parts are snug.

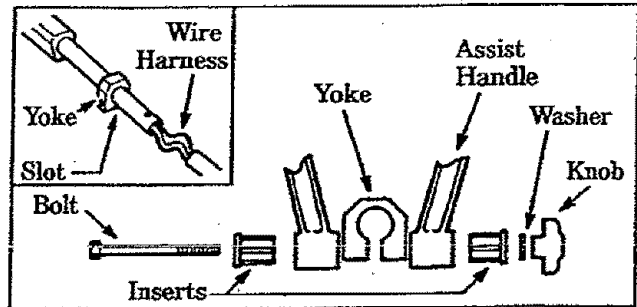


Figure 1

B. TUBE ASSEMBLY

1. Insert the Lower Tube into the Outer Tube and align screw holes. Figure 2.
2. Insert the two screws, one at a time, through the aligned holes. Figure 2. Thread Locknut onto screws and tighten securely.
3. Fold the wire harness and push it into the Lower Tube. Figure 2 (inset). If the wire harness is not long enough to fold, simply push excess wire into the tube.
4. Insert the Outer Tube over the Upper tube and align screw holes. Figure 2.
5. Insert the two screws, one at a time, through the aligned holes. Figure 2. Thread Locknut onto screws and tighten securely.

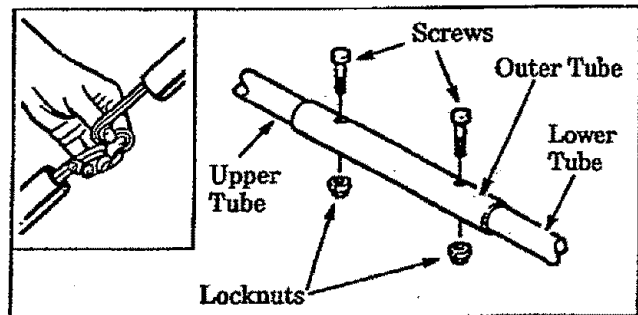


Figure 2

C. SHIELD ATTACHMENT

▲ WARNING

The shield must be properly installed. The shield provides partial protection from the risk of thrown objects to the operator and others and is equipped with a line limiter which cuts line to the proper length.

▲ WARNING

Failure to install the shield in the position shown in Figure 3 can result in serious injury to the operator. Carefully follow assembly instructions when attaching the shield to the unit. Figure 3.

CAUTION: The line limiter (on the underside of the shield) is sharp and can cut you.

1. Slide the Rear Shield and the Front Shield into the grooves on the trimmer housing. Figure 3.

NOTE: Take care not to trap the cutting line between the shields, or between one of the shields and the trimmer housing.

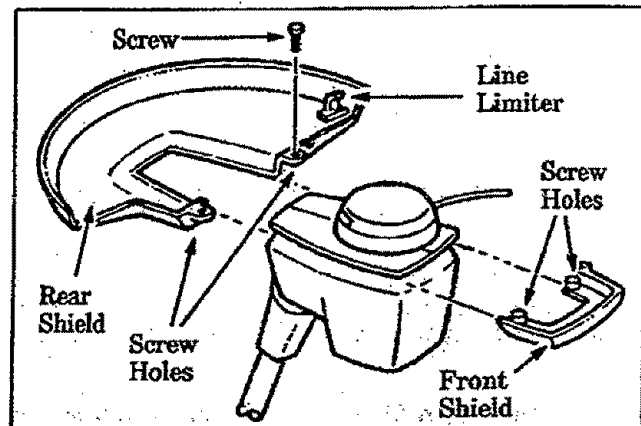


Figure 3

2. Align the screw holes in the Rear Shield with the screw holes in the Front Shield. Figure 3.
3. Thread the screws into the holes. Tighten securely.

NOTE: Remove the protective cover from the Line Limiter before using the unit.

D. PRE-OPERATION CHECKS

▲ WARNING
Review all Warnings and Safety Instructions in this manual.

1. Before operating your tool, always:
 - a. Inspect the entire tool before each use. Replace damaged parts. Make sure all fasteners are in place and securely fastened.

- b. Replace trimmer head parts that are cracked, chipped, broken, or damaged in any other way before using the tool.
- c. Use only .065" diameter line. Never use wire, rope, string, etc.
- d. Use only with the shield properly attached.
- e. Use only the specified trimmer head. See "Specifications." Make sure the trimmer head is properly installed and securely fastened. Refer to "Using Your Unit."
- f. Use only genuine SEARS accessories or attachments recommended for this tool.

E. EXTENSION CORD ATTACHMENT

1. Use only a 120 A.C. voltage supply as shown on the nameplate of the unit to power your blower.
2. The extension cord used to reach the power source must be:
 - a. Specifically marked as suitable for outdoor use. The cord must be marked with the suffix "WA."
 - b. Heavy enough to carry the current from the power source the full length of the extension cord to the unit. Otherwise, loss of power and overheating can occur causing damage to the unit. Refer to Figure 4 for minimum wire gauge recommendations. The cord must be marked with the proper wire gauge. (Appropriate extension cords are available.)
 - c. In good condition. Cord insulation must be intact with no cracks or deterioration. Plug connectors must be undamaged.
3. Secure extension cord to unit as follows:
 - a. Tie the cords together as shown in Figure 5.
 - b. Insert the Cord Socket on the unit into the Extension Cord Receptacle. Figure 5.

MINIMUM WIRE GAUGE RECOMMENDATIONS			
VOLTS	25-50 FT.	50-100 FT.	100-200 FT.
120	16	14	12
	A.W.G.*	A.W.G.*	A.W.G.*

*American Wire Gauge

Figure 4

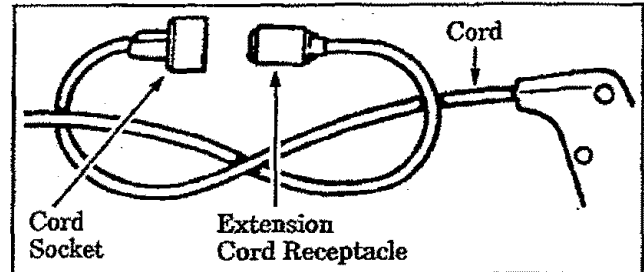


Figure 5

F. OPERATING POSITION

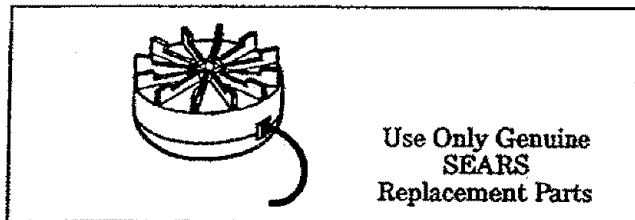
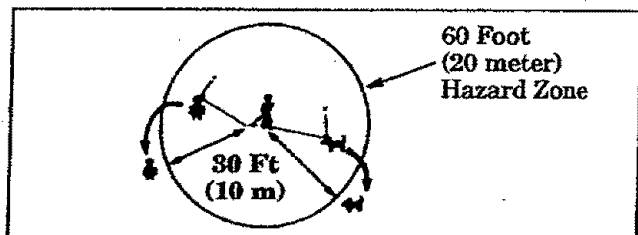
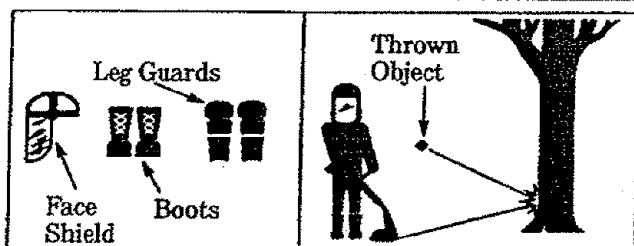
1. Before operating the unit, stand as shown in Figure 6 and check for the following:
 - a. Left arm fully extended, hand holding Assist Handle.
 - b. Right arm slightly bent, hand holding handle.
 - c. Unit below waist level.
 - d. Weight of unit evenly distributed between arms.
 - e. Without operator bending over, the Trimmer Head is near and parallel to the ground and easily contacts the material to be cut.
2. Adjust the Assist Handle to a comfortable position.



Figure 6

NOTES

USING YOUR UNIT



⚠ WARNING—THROWS OBJECTS

The rapidly moving line causes objects to be thrown violently. The shield will not provide complete protection to the operator or others. The operator must wear a safety face shield or goggles. Always wear heavy, long pants and boots. Keep others at least 30 feet (10 meters) away.

⚠ WARNING – HAZARD ZONE

This unit will throw objects and cut. Keep others including children, animals, bystanders, and helpers at least 30 feet (10 meters) away from the operator and unit. Stop the unit if you are approached.

⚠ WARNING – DAMAGED TRIMMER HEAD

Trimmer head parts that are chipped, cracked, broken, or damaged in any other way can fly apart and cause serious injury. Do not use. Replace damaged parts before using the unit.

A. LINE TRIMMER SAFETY

1. OPERATOR SAFETY

- Always wear a face safety shield or goggles. See "Accessories."
- Always wear heavy, long pants, boots, and gloves. See "Accessories." Do not wear loose clothing, jewelry, short pants, sandals or go barefoot. Secure hair so it is above shoulder length. Being fully covered will help protect you from pieces of toxic plants such as poison ivy thrown by the Trimmer Head which could be more of a hazard than touching the plant itself.
- Do not operate this unit when you are tired, ill, or under the influence of alcohol, drugs, or medication.

2. UNIT SAFETY

- Inspect the entire unit before each use. Replace damaged parts. Make sure all fasteners are in place and securely fastened.
- Use only .065" diameter line. Never use wire, rope, string, etc.
- Be sure the shield is properly attached.

- Make sure the trimmer head is properly installed and securely fastened. Refer to the "Using Your Unit" section.
- Use only genuine SEARS accessories or attachments as recommended.

3. CUTTING SAFETY

- Inspect the area to be cut before each use. Remove objects (rocks, broken glass, nails, wire, string, etc.) which can be thrown or become entangled in the trimmer head.
- Always keep the unit on the right-hand side of your body.
- Hold the unit firmly.
- Keep firm footing and balance. Do not over-reach.
- Keep the trimmer head below waist level.
- Do not raise the unit above your waist. The trimmer head can come dangerously close to your body.
- Keep all parts of your body away from the trimmer line when the unit is running.
- Use only for jobs explained in this manual.

NOTES

B. OPERATING INSTRUCTIONS

1. Bring the unit to full speed before entering the material to be cut.
2. Always release the Trigger switch and allow the unit to stop when not cutting.

C. ADJUSTABLE HANDLE

Your trimmer is equipped with a new adjustable handle which makes trimming and edging around hard to reach areas much easier. The adjustment lever is located on the front of the handle grip. Figure 7. Make sure trimmer head is resting on the ground when adjusting the handle.

1. Rest the trimmer head on the ground.
2. Pull the Adjustment Lever toward the top of the handle. Figure 7.
3. Adjust the handle to the desired position as shown in Figure 7 (inset) and release the Adjustment Lever. The handle will lock into place automatically.

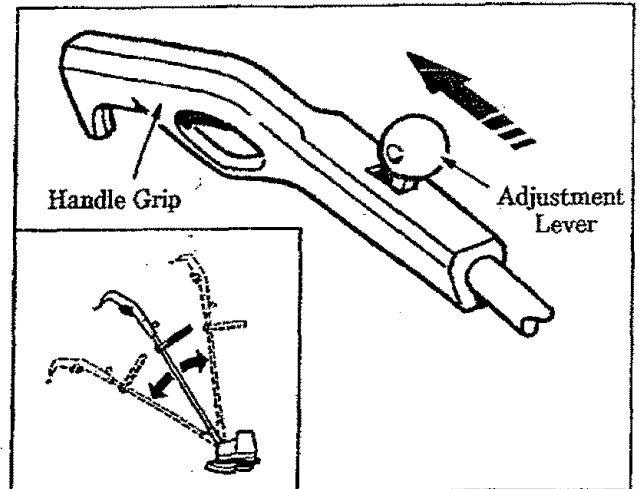


Figure 7

D. TRIMMER-LINE ADVANCE

- Your trimmer is equipped with an Automatic head. Whenever the switch is pressed, the head automatically advances a predetermined amount of line. Allow the trimmer head to stop turning before restarting to advance more line. Do not advance more line than necessary by excessively starting and stopping the trimmer.
- The line limiter will cut the line to the correct length. The most efficient line length is the maximum length allowed by the line limiter.
- Always keep the shield in place when the unit is being operated. Figure 8.

• To Advance Line:

1. Press the trigger switch. Line advances automatically when trimmer head begins to turn.
2. To advance line again, allow the trimmer head to come to a complete stop. Then, press the trigger switch again. Line advances automatically.

▲ WARNING

Use only .065" diameter line. Other sizes of line will not advance properly and can cause serious injury. Do not use other materials such as wire, string, rope, etc. Wire can break off during cutting and become a dangerous missile that can cause serious injury.

▲ WARNING
Do not bump trimmer head against hard objects or bump on the ground to advance the line. Trimmer head parts can break off and fly apart and cause serious injury. Do not use trimmer head with damaged or broken parts.

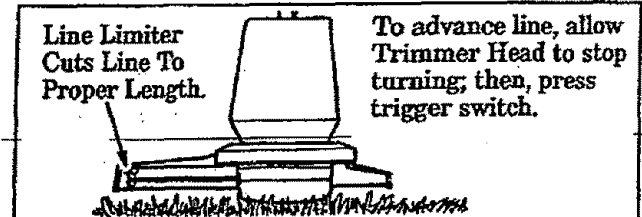


Figure 8

E. CUTTING METHODS

▲ WARNING
Do not crowd the line when cutting around hard objects (rock, gravel, fence posts, etc), which can damage the trimmer head, become entangled in the line, or be thrown causing a serious hazard.

- The tip of the line does the cutting. You will achieve the best performance and minimum line wear by not crowding the line into the cutting area. The right and wrong ways are shown in Figure 9.
- The line will easily remove grass and weeds from around walls, fences, trees, and flower beds, but it also can cut the tender bark of trees or shrubs and scar fences.

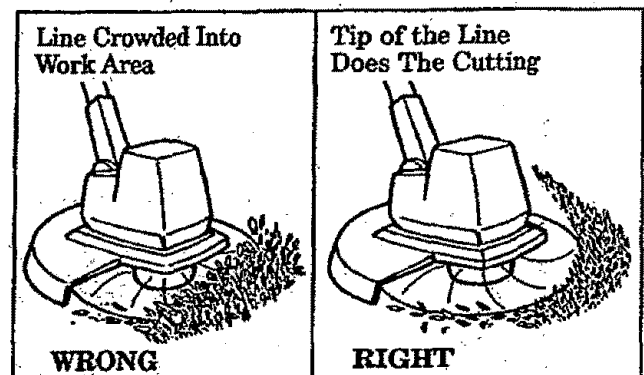


Figure 9

▲ WARNING

Always wear eye protection. Never lean over the trimmer head. Rocks or debris can ricochet or be thrown into eyes and face and cause blindness or other serious injury.

1. **TRIMMING** – Figure 10. Hold the bottom of the trimmer head about 3 inches above the ground and at an angle. Allow only the tip of the line to make contact. Do not force the trimmer line into the work area.
2. **SCALPING** – Figure 10. The scalping technique removes unwanted vegetation. Hold the bottom of the trimmer head about 3 inches above the ground and at an angle. Allow the tip of the line to strike the ground around trees, posts, monuments, etc. *This technique increases line wear.*
3. **MOWING**– Figure 11. Your trimmer is ideal for mowing in places conventional lawn mowers cannot reach. In the mowing position, keep the line parallel to the ground. Avoid pressing the head into the ground as this can scalp the ground and damage the unit.
4. **SWEEPING** – Figure 11. The fanning action of the rotating line can be used for a quick and easy clean up. Keep the line parallel to and above the surfaces being swept and move the unit from side to side.

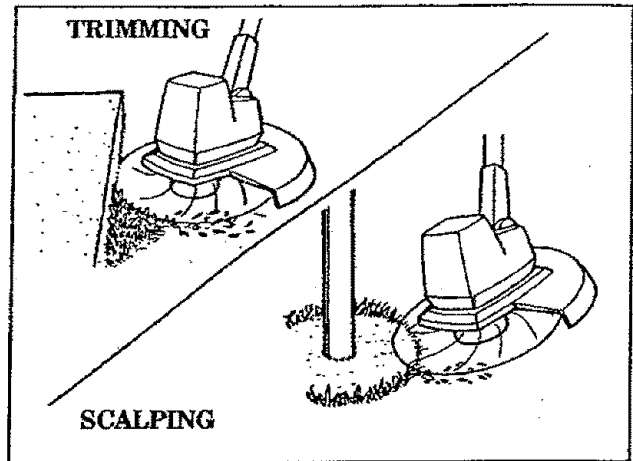


Figure 10

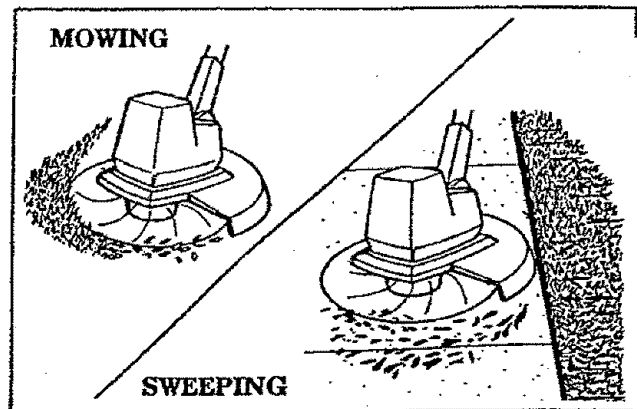


Figure 11

F. LINE REPLACEMENT

- For proper line feed:
 - Use only genuine pre-wound spools and .065" diameter line. Use of other types of spools or lines can result in excessive breakage, line welding, and improper line feed.
 - Pre-wound spools offer the most convenient method for replacing line as well as optimum performance.
- Always clean dirt and debris from the spool and hub when performing any type maintenance.

▲ WARNING

Trimmer head parts that are chipped, cracked, broken, or damaged in any other way can fly apart and cause serious injury. Do not use. Replace damaged parts before using the unit.

1. Installing Spool w/Line

- a. Stop the unit and unplug the power cord.
- b. Push the Release Button and remove the Trimmer Head Cover. Figure 12.
- c. Remove the spool. Figure 13.
- d. Clean dirt and debris from all parts. Inspect all Trimmer head parts for damage. Replace damaged parts.
- e. Replace or rewind old spool.
- f. Set the spool into the Hub. Figure 13. Allow 3 to 4 inches of line to extend through the line exit opening. Figure 13.
- g. Reinstall Trimmer Head Cover. Figure 12.

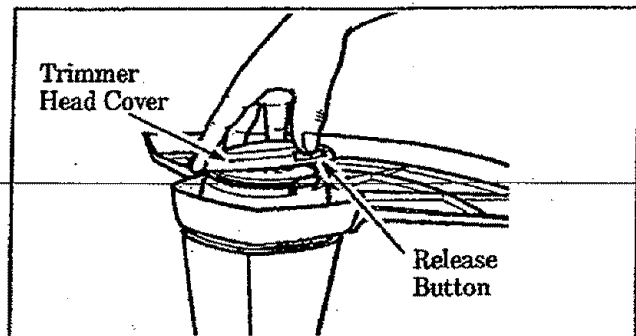


Figure 12

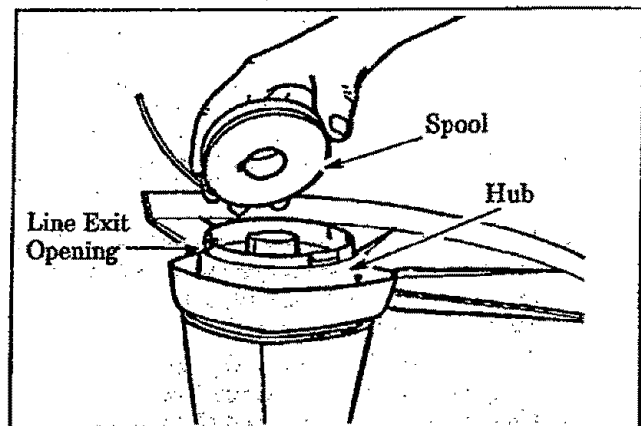


Figure 13

2. Installing Line On Spool

- Hold spool as shown in Figure 14.
- Insert 1/4 to 3/8 inch of line through the tapered slot in the top of the spool. Figure 14 (inset).
- Wrap line evenly in direction indicated by the arrow on the spool. To ensure proper line advance, avoid crossover or crisscrossing the line.

NOTE: Do not wrap more than 50 feet of .065 inch diameter line onto the spool.

- Follow instructions in "Installing Spool w/ Line," steps "f" through "g."

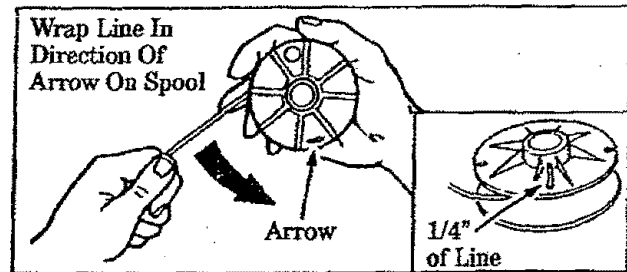


Figure 14

GENERAL MAINTENANCE

A. MAINTENANCE SAFETY

- Maintain the tool according to recommended procedures. Keep the cutting line at the proper length.
- Disconnect power source before performing maintenance.
- Keep the unit clean. Use a sponge dampened with a solution of mild soap and water. Do not use solvents or petroleum based cleaner of any kind.
- Replace trimmer head parts that are cracked, chipped, broken, or damaged in any other way before using the tool.
- Use only .065" diameter line. Never use wire, rope, string, etc.
- Use only genuine SEARS replacement parts.
- Inspect the entire tool. Replace damaged parts. Make sure all fasteners are in place and securely fastened.
- Keep air vents free of debris at all times.

B. TROUBLE SHOOTING CHART

SYMPTOM	CAUSE	REMEDY
Trimmer Head stops under a load or does not turn when switch is pressed.	<ol style="list-style-type: none"> Crowding trimmer line against material being cut. House circuit breaker tripped. None of the above. 	<ol style="list-style-type: none"> Back trimmer head away from grass being cut; allow tip of line to do the cutting. Check circuit breaker. Contact your SEARS Service Center/Dept.
Line does not advance or breaks while cutting.	<ol style="list-style-type: none"> Line improperly routed in head. Line improperly wound onto spool. Inferior line. Too little line outside head. Dirt accumulated on cover. 	<ol style="list-style-type: none"> Remove cover. Check line routing. Rewind line tightly and evenly. Replace line with new .065" diameter line. Remove cover. Pull 4" of line to outside. Clean cover.
Line welds onto spool.	<ol style="list-style-type: none"> Line size incorrect. Incorrect spool. Crowding line against material being cut. 	<ol style="list-style-type: none"> Use only .065" diameter line. Use proper spool. Cut with tip of line.
Line usage is excessive.	<ol style="list-style-type: none"> Line improperly routed in head. Line size incorrect. Crowding line against material being cut. 	<ol style="list-style-type: none"> Remove cover. Check line routing. Use only .065" diameter line. Cut with tip of line.
Line pulls back into head.	<ol style="list-style-type: none"> Too little line outside of head. 	<ol style="list-style-type: none"> Remove cover. Pull 4" of line to outside.

ACCESSORIES

ITEM	STOCK NO.
SAFETY GOGGLES	91859
EXTENSION CORD	95702
SPOOL W/LINE — .065" DIA.	7185833
NYLON LASER LINE — .065" DIA.—100 FT.	7185772
NYLON LASER LINE — .065" DIA.—200 FT.	7185607
NYLON LASER LINE — .065" DIA.—400 FT.	7185769
OPERATOR'S MANUAL	534068294

SEARS

operator's manual

Model No.
257.798031
(15" Cutting Path)

How to Order Repair Parts

**SEARS SERVICE
IS AT YOUR SERVICE**

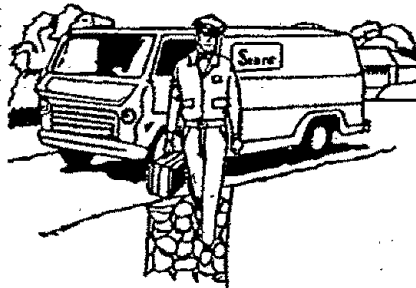
The Model Number will be found below the top handle with the Serial Number. Always mention the Model Number when requesting service or repair parts for your unit.

All parts listed herein may be ordered from any Sears Service Center and most Sears Stores.

WHEN ORDERING REPAIR PARTS ALWAYS GIVE THE FOLLOWING INFORMATION AS SHOWN IN THIS LIST.

- | | |
|--|--|
| 1. The PART NUMBER | 3. The PART DESCRIPTION |
| 2. The MODEL NUMBER
257.798031 | 4. The NAME OF ITEM —
Electric Trimmer |

If the parts you need are not stocked locally, your order will be transmitted to a Sears Repair Parts Distribution Center for handling.



When you buy merchandise from Sears you get an extra value that nobody else can offer — Sears Service.

Across town or across the country, Sears Service is always near, providing trustworthy, competent service technicians using only Sears specified factory parts.

Your Sears Merchandise takes on added value when you discover that Sears has Service Units throughout the country. Each is staffed by Sears-Trained, professional technicians using Sears approved methods.

Sold by Sears, Roebuck and Co., Chicago, Ill. 60684 USA