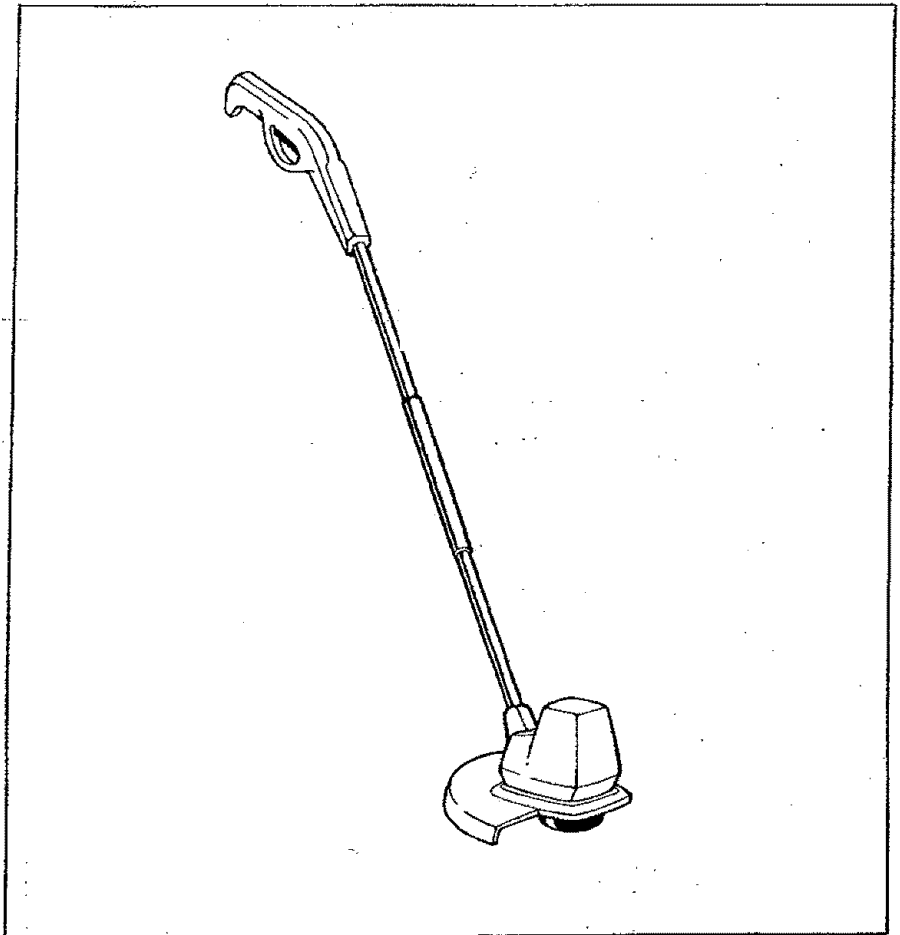


SEARS

OWNER'S MANUAL

MODEL NO.
257.797010

CAUTION:
Read and Follow
all Safety Rules
and Instructions
Before Operating
This Equipment



CRAFTSMAN®

**1/5 HORSEPOWER
10" CUTTING WIDTH
DOUBLE INSULATED
ELECTRIC WEEDWACKER®**

- Assembly
- Operation
- Service and Adjustment
- Repair Parts



Sold by SEARS, ROEBUCK AND CO., Chicago, IL. 60684 U.S.A.

RULES FOR SAFE OPERATION

1. Risk of eye injury—always use safety glasses or similar protection.
2. Keep hands, face and feet clear of rotating line. Do not operate without guard in place.
3. Dress Properly—Do not wear loose clothing or jewelry. They can be caught in moving parts. Use of rubber gloves and substantial footwear is recommended when working outdoors. Wear long pants to protect your legs.
4. Keep children away—all visitors should be kept at a distance from work area.
5. Avoid dangerous environment—don't use tool in damp or wet locations, or in the vicinity of flammable fumes. Don't Use In Rain.
6. Use Right Appliance—Do not use appliance for any job except that for which it is intended.
7. **WARNING:** To reduce risk of electric shock, use only with an extension cord intended for outdoor use. A two-wire cord without a ground connection may be used since the tool is double insulated.
8. Cord Sets—Make sure your cord set is in good condition. When using a cord set, be sure to use one heavy enough to carry the current your product will draw. An undersized cord set will cause a drop in line voltage resulting in loss of power and over-heating. Cord should be 16 gage or heavier and should not exceed 100 ft. To reduce the likelihood of disconnection of cord set from tool during operation, secure cords as shown in Figure A. U.L. listed extension cords suitable for outdoor use are available at your nearest Sears store.
9. Avoid Unintentional Starting—Don't carry plugged-in tool with finger on switch. Be sure switch is off when plugging in.
10. Don't abuse cord—never carry tool by cord or yank it from receptacle. Keep cord away from heat, oil and sharp edges. Replace damaged cord immediately.
11. Don't force tool—it will do the job better and with less likelihood of a risk of injury at the rate for which it was designed.
12. Don't overreach—keep proper footing and balance at all times.
13. Disconnect tool from power supply when not in use, and when making any repairs, inspections, and changing accessories and the like.
14. Double Insulated—When servicing use only identical replacement parts. Do not use any type of wire or metal cutting line.
15. Maintain trimmer with care—to reduce risk of injury follow instructions for replacing or rewinding spool. Keep trimmer clean. Keep air vents clear of debris.
16. Store trimmer indoors—when not in use, tool should be stored indoors in a high, dry or locked-up place out of reach of children.
17. The line cutter is extremely sharp and care should be exercised when handling or operating to avoid contact with the cutter.

FIG. A



SERVICING OF A TOOL WITH DOUBLE INSULATION REQUIRES EXTREME CARE AND KNOWLEDGE OF THE SYSTEM AND SHOULD BE PERFORMED ONLY BY A QUALIFIED SERVICE TECHNICIAN. FOR SERVICE WE SUGGEST YOU RETURN THE TOOL TO YOUR NEAREST SEARS STORE OR AUTHORIZED DEALER FOR REPAIR WHICH WILL BE DONE WITH ORIGINAL FACTORY REPLACEMENT PARTS.

This tool will operate on 110/120 Volt AC, 60 Hertz electrical current only.

FULL ONE-YEAR WARRANTY ON CRAFTSMAN ELECTRIC TRIMMER

If this Craftsman Electric Weedwacker Trimmer fails to give complete satisfaction within one year from the date of purchase RETURN IT TO THE NEAREST SEARS STORE IN THE UNITED STATES, and Sears will repair or replace it, free of charge.

If this Craftsman Electric Weedwacker Trimmer is used for commercial or rental purposes, this warranty applies for only 90 days from the date of purchase. This warranty applies only while this product is in use in the United States.

Warranty service is available by simply contacting the nearest Sears store or Service Center throughout the United States.

This warranty gives you specific legal rights, and you may also have other rights which vary from state to state.

SEARS, ROEBUCK AND CO., Dept. 731CR-W, Sears Tower, Chicago, IL 60684

ASSEMBLY

BOX CONTENTS

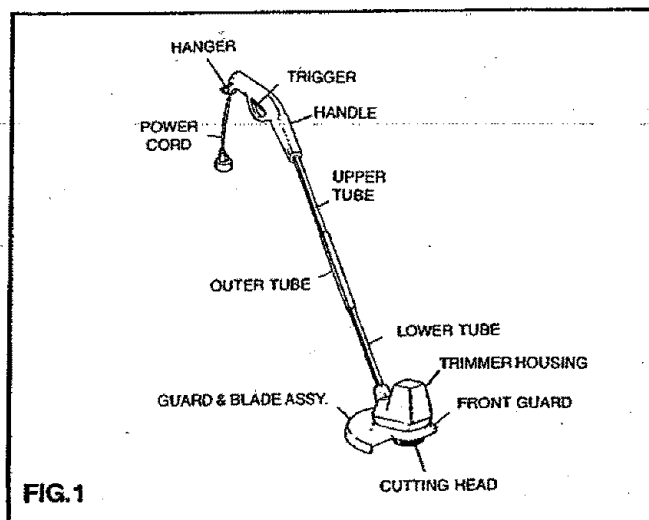
- 1 257.797010 Weed and Grass Trimmer
- 1 Loose Parts Kit Containing
 - 2 ea. 7962 Machine Screws (For Tubes)
 - 2 ea. 3935 Stop Nuts
 - 2 ea. 8268-1 Pointed Screws (For Guards)
 - 1 ea. 6774-05 Front Guard
 - 1 ea. Q6796-15 Guard & Blade Assy.
 - 1 ea. 88-692-00 Owner's Manual

Remove TRIMMER from carton and examine it thoroughly to make sure it is not damaged.

Remove and discard protective plastic clips inserted in handle tubes before assembly of trimmer.

TOOLS NEEDED FOR ASSEMBLY

- Medium Phillips screwdriver
- Adjustable wrench or pliers



ASSEMBLY INSTRUCTIONS

ATTACHING THE TUBES

- Slide outer tube up lower tube and over upper tube (Fig. 1) until the assembly holes are aligned, being careful not to pinch or cut harness wire.

NOTE: Should the outer tube be difficult to slide, grasp outer tube sleeve firmly and twist slowly back and forth while pushing upward.

- Insert screws carefully to avoid damage to harness wire; attach lock nuts and tighten.

ATTACHING THE GUARD

- Turn Trimmer upside down. Slide Guard and Blade Assy. and Front Guard into grooves on Trimmer housing (Fig. 3).
- Insert 2 screws supplied and tighten firmly.
- **DO NOT OPERATE TRIMMER WITHOUT GUARDS IN PLACE.**

CAUTION: THE CUTTING BLADE MOUNTED IN THE GUARD ASSEMBLY IS EXTREMELY SHARP AND CARE SHOULD BE EXERCISED WHEN HANDLING OR OPERATING TRIMMER TO AVOID CONTACT WITH CUTTER.

IMPORTANT:

Remove protective cover from the cutting blade before operating trimmer.

FIG. 2

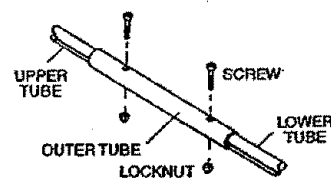
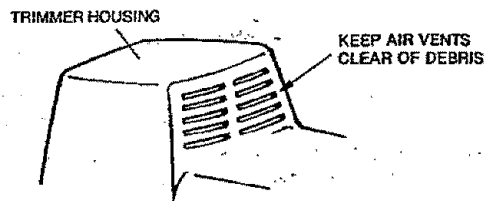
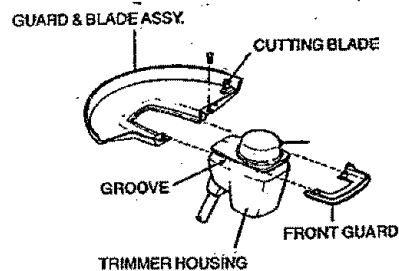


FIG. 3



OPERATION



THE OPERATION OF ANY POWER TOOL CAN RESULT IN FOREIGN OBJECTS BEING THROWN INTO THE EYES, WHICH CAN RESULT IN SEVERE INJURY. ALWAYS WEAR SAFETY GLASSES OR EYE SHIELDS BEFORE COMMENCING POWER TOOL OPERATION. WE RECOMMEND USING STANDARD SAFETY GLASSES OR USING A WIDE VISION SAFETY MASK IF YOU ALREADY WEAR GLASSES. BOTH ARE AVAILABLE AT SEARS RETAIL OR CATALOG STORES.

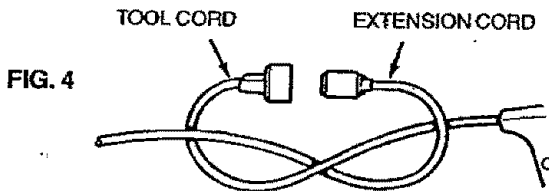
OPERATING INSTRUCTIONS

KNOW YOUR TRIMMER

RETAINING EXTENSION CORD

To prevent extension cord from disconnecting from appliance cord, tie cords as shown in Figure 4. Devices for retaining extension cords are also available from your nearest Sears store.

Extension cord should be 16 gauge or heavier and should not exceed 100 feet.



HOW TO ACTUATE SELF FEEDING CUTTING LINE

Your trimmer is equipped with an Automatic Line Feed head. Whenever switch is depressed, the head will advance the cutting line. Allow trimmer to stop before restarting to advance more line. Avoid frequent starting and stopping of trimmer. This may cause unnecessary use of the line.

The line cutter mounted in the guard will automatically cut the line to the correct length.

DO NOT BUMP AUTO HEAD ON GROUND TO ADVANCE LINE

IMPORTANT:

Remove protective cover from the cutting blade before operating trimmer.

CAUTION: The cutting blade mounted in the guard assembly is extremely sharp and care should be exercised when handling or operating trimmer to avoid contact with cutter.

BEFORE OPERATING

Before operating your trimmer, read and understand the RULES FOR SAFE OPERATION.

- Always wear safety goggles or a safety mask
- Cut to the left side.
- Keep people away from you.
- Inspect the area you are going to trim for any string-like matter which may become tangled in the cutting head.

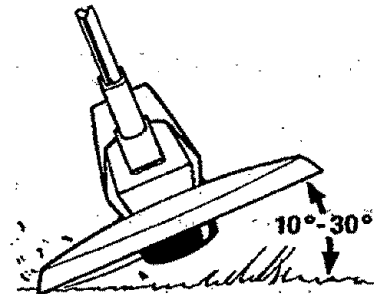
HOW TO OPERATE

Hold trimmer in a comfortable upright position and depress trigger switch. Swing trimmer slowly from right to left using a sweeping motion, keeping the cutting head off the ground.

For most trimming, the Trimmer Head should be tilted to the left side approximately 10 to 30 degrees. (Fig. 5)

NOTE: The tip of the nylon line does the cutting. Do not force more of the line into the material being cut. Best results are obtained with proper length line and maintaining full motor speed.

FIG. 5



REAR VIEW OF TRIMMER HEAD

OPERATING TIPS

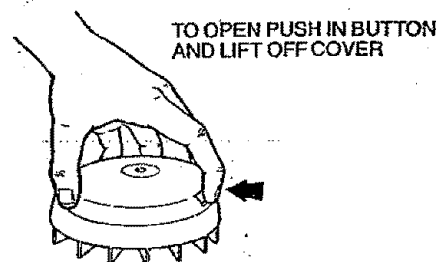
The trimmer will stir up dust particles which may get into your eyes. Wear safety goggles or safety mask to prevent this. When you cut to the LEFT SIDE, your trimmer will sling particles FORWARD, away from you. When you cut to the RIGHT SIDE, it will sling particles BACK toward you. ALWAYS CUT TO THE LEFT SIDE ONLY.

Your trimmer can sling objects with adequate velocity to cause harm to others. It will ALWAYS sling small particles of dirt. Wear pants to protect your legs and KEEP PEOPLE AWAY FROM YOU when using your trimmer just to be safe.

SERVICE and ADJUSTMENT

SPOOL REPLACEMENT

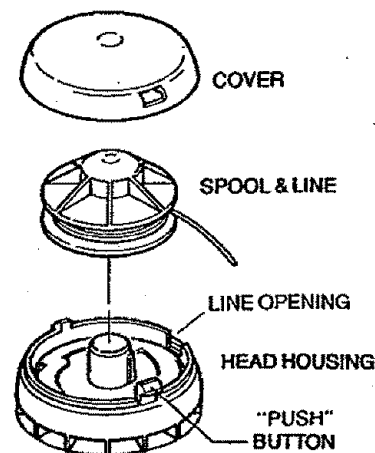
- Stop motor and unplug power cord.
- Push in button (marked "PUSH") located on head and remove cover. Do not force. No tools needed. Use finger pressure only.
- Lift out spool (Fig. 6) and replace with new spool and line.
See RECOMMENDED REPLACEMENT PARTS & CAUTION below.
- Keeping line tightly wound on spool, set spool into head housing, guiding approx. 3 to 4 inches of line through the opening.
- Replace cover.



IF LINE DOES NOT FEED

- Stop motor and unplug power cord.
- Push in button (marked "PUSH") located on head and remove cover and spool. Do not force, no tools needed. Use finger pressure only.
- Check to make sure line is wound in direction indicated on spool and that the spool is not overfilled or jammed.
- Separate strands of tangled line or install new line if necessary.
- Replace spool and cover.

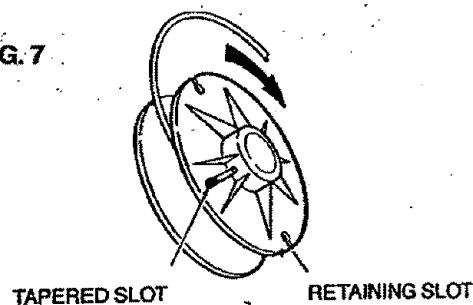
FIG. 6



REWINDING SPOOL

- Stop motor and unplug power cord.
- Push in button (marked "PUSH") located on head and remove cover. Do not force. No tools are necessary. Use finger pressure only.
- Lift out spool to rewind with new line. Remove any old line from spool.
See RECOMMENDED REPLACEMENT PARTS & CAUTION below.
Do not wind more than a total of 25 feet of line onto spool.
- Secure new line to spool by slipping it into the tapered slot (located in top of line spool) and sliding line towards the narrow part of the slot.
- Wind the line side by side (do not crossover or crisscross) in the direction indicated on the spool. (Fig. 7)
IMPORTANT: If you wind in the opposite direction, the line will not feed.
- Keeping line tightly wound on spool, set spool into head housing, guiding approx. 3 to 4 inches of line through the opening.
- Replace cover.
NOTE: After rewinding, line may be held in position by inserting the end of the line into the retaining slot.

FIG. 7



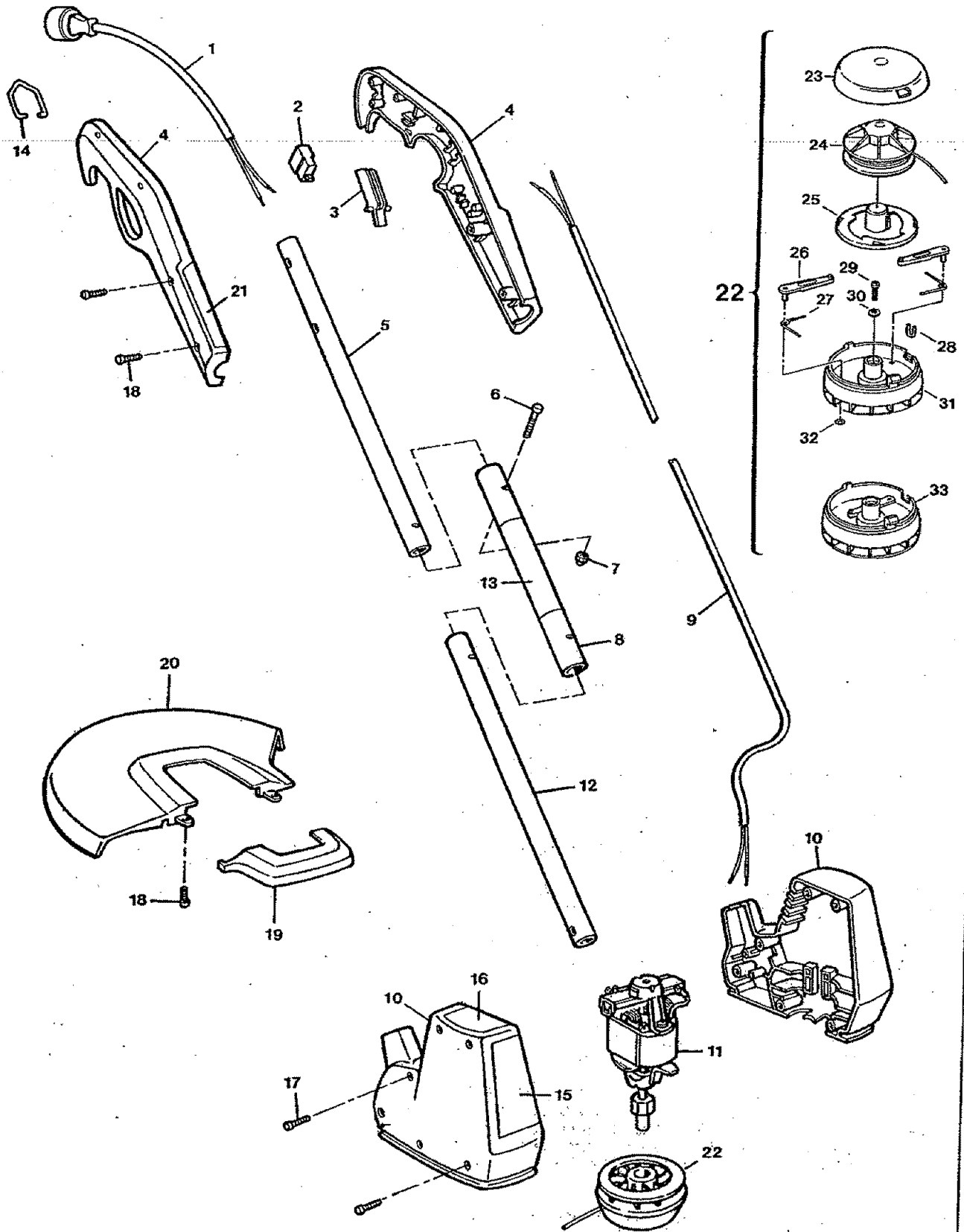
RECOMMENDED REPLACEMENT PARTS AND ACCESSORIES

Your SEARS Trimmer uses SPECIALLY TREATED .051 DIAMETER MONOFILAMENT NYLON cutting line which is available at SEARS STORES AND CATALOG STORES. You may purchase a fully wound spool (Part No. 85834) or you may purchase a 100 foot coil of line (Part No. 85771) or a large bulk spool of line and rewind your present spool.

CAUTION: The use of heavier line, different types of line and accessories or attachments other than recommended may be hazardous or cause unit failure.

CRAFTSMAN 10" ELECTRIC WEEDWACKER 257.797010

REPAIR PARTS

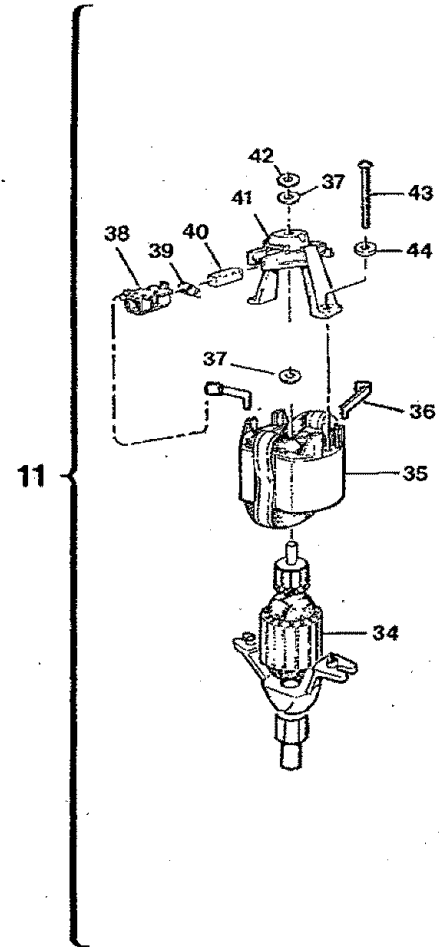


CRAFTSMAN 10" ELECTRIC WEEDWACKER 257.797010

REPAIR PARTS

DOUBLE INSULATED—WHEN SERVICING USE ONLY IDENTICAL REPLACEMENT PARTS

REF. NO.	PART NO.	DESCRIPTION	QTY.
1.	8957-2	Power Cord	1
2.	6781	Switch Slide	1
3.	6780-04	Trigger	1
4.	6767-75	Handle R.H./L.H.	1 (set)
5.	3798-5	Tube, Upper	1
6.	7962-1	Screw, 8-32 x 7/8 Mach.	2
7.	3935-2	Nut, Stop	2
8.	3932-3	Tube, Outer	1
9.	8660-2	Harness	1
10.	7158-2-28	Housing R.H./L.H.	1 (set)
11.	9684-1	Motor/Adapter Assy.	1
12.	6802	Tube, Lower	1
13.	9689	Label, Warning/Nameplate	1
14.	2701	Hanger	1
15.	8476	Label, Housing Front	1
16.	9687	Label, Housing Top	1
17.	7903	Screw, 10-16 x 1 Thd Form	6
18.	8268-1	Screw, 8-18, 11 x 1/2 Thd Form	10
19.	6774-05	Guard, Front	1
20.	Q6796-15	Guard and Blade Assy.	1
21.	8622	Label, Handle	1
22.	9183-1	Head Assy. (complete) (85842)	1
23.	9192	Cover	1
24.	9190-2	Spool & Line (85834) Green	1
25.	9189	Cam	1
26.	9188	Arm	2
27.	9187	Spring	2
28.	9185	Line Shield	1
29.	9786	Screw, 10-32 x .62 Mach.	1
30.	9087	Washer, .030 x .196 x .750	1
31.	9688-1	Housing/Baffle Assy.	1
32.	4007	Push Nut	2
33.	9726-1	Housing Assy. (incl. Items 26, 27, 28, 31, 32)	2
34.	9817-2	Armature/Endbell Assy.	1
35.	2947-3	Field Assy.	1
36.	9273	Bridge, Terminal	2
37.	4946-16	Washer	2
38.	26-007	Brush Holder	2
39.	57-009	Spring, Brush	2
40.	20-018	Brush	2
41.	8726-1	Endbell Assy. (Brush)	1
42.	2467-1	Retaining Ring	2
43.	50-026-4	Screw, 6-32 x 1-1/2 Thd Form	2
44.	52-020	Lockwasher #6 Split	2
45.	88-692-00	Owner's Manual	2



SEARS

OWNER'S MANUAL

**MODEL NO.
257.797010**

How to Order Repair Parts

CRAFTSMAN®

**1/5 HORSEPOWER
10" CUTTING WIDTH
DOUBLE INSULATED
ELECTRIC WEEDWACKER®**

The Model Number will be found on a plate attached to your Weedwacker handle tube. Always mention the Model Number when requesting service or repair parts for your Craftsman Weedwacker.

All parts listed herein may be ordered from any SEARS SERVICE CENTER located in most retail stores.

WHEN ORDERING REPAIR PARTS, ALWAYS GIVE THE FOLLOWING INFORMATION.

1. PART NUMBER
2. PART DESCRIPTION
3. MODEL NUMBER - 257.797010
4. NAME OF ITEM - WEED AND GRASS TRIMMER

USE ONLY SEARS REPLACEMENT PARTS.

If the parts you need are not stocked locally, your order will be electronically transmitted to a Sears Repair Parts Distribution Center for handling.

Sold by SEARS, ROEBUCK AND CO., Chicago, IL. 60684 U.S.A.