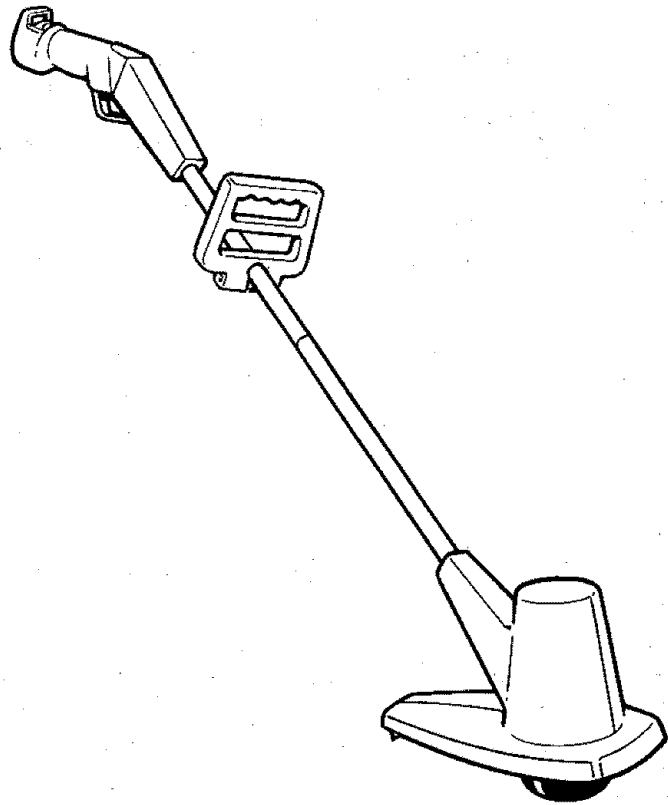


SEARS
OWNER'S
MANUAL

MODEL NO.
257.796060

CAUTION:
Read RULES FOR
SAFE OPERATION
and all instructions
carefully



CRAFTSMAN
WEED AND GRASS TRIMMER

DOUBLE INSULATED

- Assembly
- Operating
- Repair Parts

PROTECTED UNDER ONE OR MORE OF THE FOLLOWING
U.S. PATENTS: 4, 189, 833; 4, 269, 372; 4, 490, 910.



Sold by SEARS, ROEBUCK AND CO., Chicago, IL. 60684 U.S.A.

FULL ONE-YEAR WARRANTY ON CRAFTSMAN GRASS TRIMMER

If this Electric Weedwacker fails to perform properly due to a defect in material or workmanship within one year from the date of purchase, Sears will repair it, free of charge.

If this Electric Weedwacker is used for commercial or rental purposes, this warranty applies for only 90 days from the date of purchase. This warranty applies only while this product is in use in the United States.

Warranty service is available by simply contacting the nearest Sears store or Service Center throughout the United States.

This warranty gives you specific legal rights, and you may also have other rights which vary from state to state.

SEARS, ROEBUCK AND CO., Dept. 698/731A, Sears Tower, Chicago, IL 60684

RULES FOR SAFE OPERATION

1. Risk of eye injury—always use safety glasses or similar protection.
2. Keep hands, face and feet clear of rotating line. Do not operate without guard in place.
3. Dress Properly—Do not wear loose clothing or jewelry. They can be caught in moving parts. Use of rubber gloves and substantial footwear is recommended when working outdoors. Wear long pants to protect your legs.
4. Keep children away—all visitors should be kept at a distance from work area.
5. Avoid dangerous environment—don't use tool in damp or wet locations, or in the vicinity of flammable fumes. Don't Use In Rain.
6. Use Right Appliance—Do not use appliance for any job except that for which it is intended.
7. **WARNING:** To reduce risk of electric shock, use only with an extension cord intended for outdoor use. A two-wire cord without a ground connection may be used since the tool is double insulated.
8. Cord Sets—Make sure your cord set is in good condition. When using a cord set, be sure to use one heavy enough to carry the current your product will draw. An undersized cord set will cause a drop in line voltage resulting in loss of power and over-heating. Cord should be 16 gage or heavier and should not exceed 100 ft. To reduce the likelihood of disconnection of cord set from tool during operation, loop cord through cord retainer and around hook. Insert socket into recessed plug as shown in figure A below. If two or more 16 gage cord sets are required to obtain a maximum of 100 ft. length, then secure cords as shown in Figure B. U.L. listed extension cords suitable for outdoor use are available at your nearest Sears store.
9. Avoid Unintentional Starting—Don't carry plugged-in tool with finger on switch. Be sure switch is off when plugging in.
10. Don't abuse cord—never carry tool by cord or yank it from receptacle. Keep cord away from heat, oil and sharp edges. Replace damaged cord immediately.
11. Don't force tool—it will do the job better and with less likelihood of a risk of injury at the rate for which it was designed.
12. Don't overreach—keep proper footing and balance at all times.
13. Disconnect tool from power supply when not in use, and when making any repairs, inspections, and changing accessories and the like.
14. Double Insulated—When servicing use only identical replacement parts. Do not use any type of wire or metal cutting line.
15. Maintain trimmer with care—to reduce risk of injury follow instructions for replacing or rewinding spool. Keep trimmer clean. Keep air vents clear of debris.
16. Store trimmer indoors—when not in use, tool should be stored indoors in a high, dry or locked-up place out of reach of children.
17. The line cutter is extremely sharp and care should be exercised when handling or operating to avoid contact with the cutter.

SERVICING OF A TOOL WITH DOUBLE INSULATION REQUIRES EXTREME CARE AND KNOWLEDGE OF THE SYSTEM AND SHOULD BE PERFORMED ONLY BY A QUALIFIED SERVICE TECHNICIAN. FOR SERVICE WE SUGGEST YOU RETURN THE TOOL TO YOUR NEAREST AUTHORIZED DEALER FOR REPAIR WHICH WILL BE DONE WITH ORIGINAL FACTORY REPLACEMENT PARTS.

FIG. A

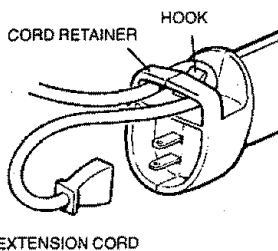
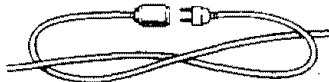


FIG. B



BOX CONTENTS

This box should contain:

- 1 257.796060 Trimmer
- 1 Loose Parts Kit containing
 - 1 ea. 2827-05 Assist Handle
 - 1 ea. 8284-1 Bolt 1/4-20 x 4
 - 1 ea. 8285 Wing Nut
 - 2 ea. 8296 Screw, 10-24 x 1 1/4
 - 2 ea. 8283 Locknut
 - 1 ea. 88-665-00 Owner's Manual

ASSEMBLY INSTRUCTIONS

Remove TRIMMER from carton and examine it thoroughly to make sure it is not damaged.

Remove and discard protective plastic clips inserted in handle tubes before assembly of trimmer.

TOOLS NEEDED FOR ASSEMBLY

- Medium Phillips screwdriver
- Adjustable wrench or pliers

ATTACHING THE ASSIST HANDLE AND TUBES

Attach the assist handle to the upper tube before joining the tubes together (Fig. 1).

1. The harness wire that is exposed between the tubes will pass through the slot in the bottom of the assist handle.
2. Slide the handle up onto upper tube.
3. Place bolt into handle, attach wingnut and tighten.
4. Slide lower tube into upper tube and align holes.
5. Insert two screws through tubes, attach locknuts and tighten (Fig. 2).
6. Adjust position of assist handle to conform to height and arm length.

RETAINING EXTENSION CORD

Loop cord through cord retainer and around hook (Fig. 3)
Insert cord socket into recessed trimmer plug.

BEFORE OPERATING

Before using your TRIMMER read and understand the **RULES FOR SAFE OPERATION**

- Always wear **SAFETY GOGGLES**.
- Cut to your **LEFT** side.
- Keep people away from you.
- Inspect the areas you are going to trim for wires, cord and any string-like matter to prevent them from getting tangled in the cutting head.

CAUTION: THE CUTTING BLADE MOUNTED IN THE REAR GUARD SECTION IS EXTREMELY SHARP AND CARE SHOULD BE EXERCISED WHEN HANDLING OR OPERATING TRIMMER TO AVOID CONTACT WITH CUTTER.

Remove protective cover from cutting blade before using trimmer.

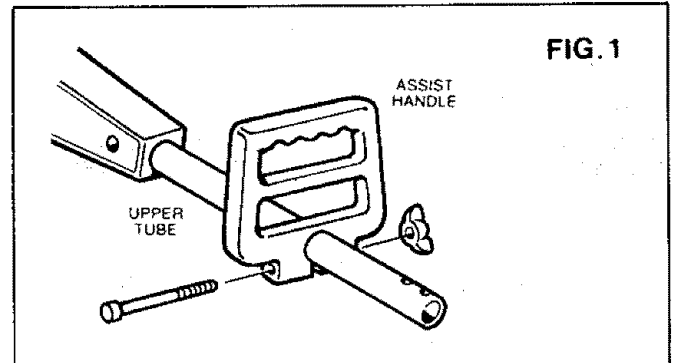
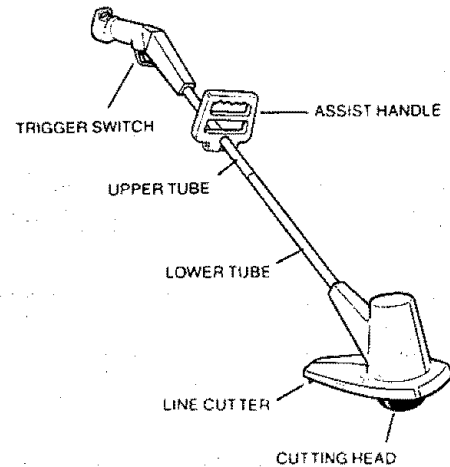


FIG. 2

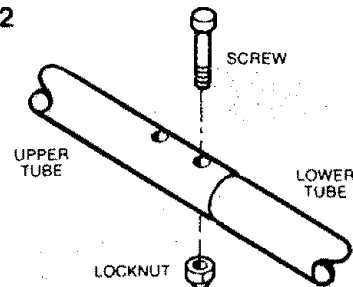
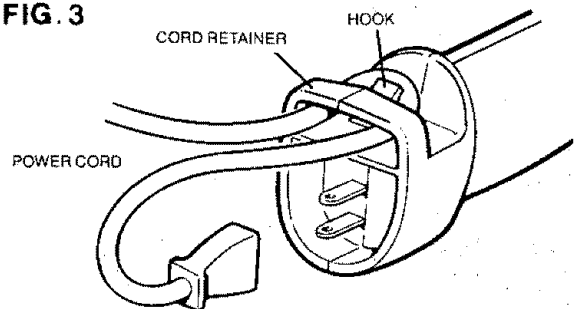


FIG. 3



OPERATING INSTRUCTIONS

HOW TO OPERATE

1. Hold trimmer in a comfortable upright position and depress trigger switch.
2. Best results are accomplished with proper length line and maintaining full speed. Cut only with the tip of the nylon line.

WHEN OPERATING

1. The WEEDWACKER will stir up dust particles which may get into your eyes. Wear safety goggles to prevent this. When you cut to the LEFT SIDE, your WEEDWACKER will sling particles FORWARD, away from you. When you cut to the RIGHT SIDE, it will sling particles BACK toward you. ALWAYS CUT TO THE LEFT SIDE ONLY.
2. Your WEEDWACKER can sling objects with adequate velocity to cause harm to others. It will ALWAYS sling small particles of dirt. KEEP PEOPLE AWAY FROM YOU when using your trimmer just to be safe.

GENERAL TRIMMING

Tilt unit approximately 30° to the left (Fig. 4) and cut grass/weeds using a sweeping motion (right to left), keeping the cutting head off the ground.

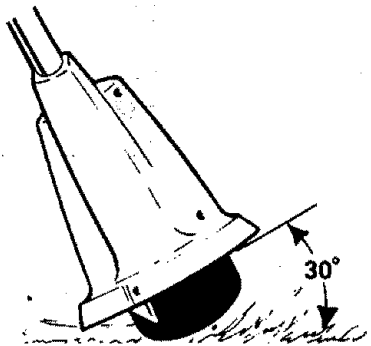


FIG. 4

MOWING

Simply pass your WEEDWACKER over the areas you wish to cut, keeping the cutting head parallel to the ground. DO NOT use the usual 30 degree cutting angle as in fig. 4 when mowing.

HOW TO ACTUATE SELF FEEDING CUTTING LINE

Your trimmer is equipped with an Automatic Line Feed head. Whenever switch is depressed, the head will advance the cutting line. Allow trimmer to stop before restarting to advance more line.

The line cutter mounted in the guard will automatically cut the line to the correct length. Do not advance more line than necessary by starting and stopping trimmer.

CAUTION: THE CUTTING BLADE MOUNTED IN THE GUARD ASSEMBLY IS EXTREMELY SHARP AND CARE SHOULD BE EXERCISED WHEN HANDLING OR OPERATING TRIMMER TO AVOID CONTACT WITH CUTTER.

SPOOL REPLACEMENT

1. Stop motor and unplug power cord.
2. Push in button (marked "PUSH") located on head and remove cover.
3. Lift out spool and either replace or rewind with new line. (Fig. 5)
4. Keeping line tightly wound on spool, set spool into head housing, guiding approx. 3 to 4 inches of line through the opening.
5. Replace cover.

IF LINE DOES NOT FEED

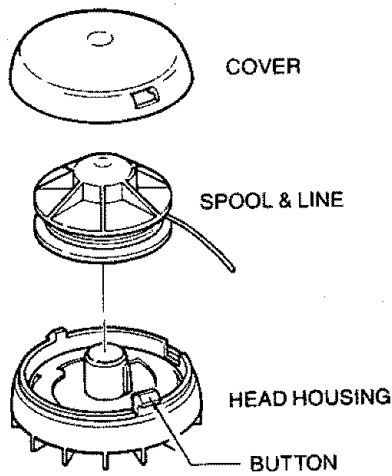
1. Follow instructions 1 and 2 under "Spool Replacement"
2. Check to make sure line is wound in direction indicated on spool.
3. Separate strands of tangled line or install new line if necessary.
4. Replace cover.



THE OPERATION OF ANY TRIMMER CAN RESULT IN FOREIGN OBJECTS BEING THROWN INTO THE EYES, WHICH CAN RESULT IN SEVERE EYE DAMAGE. ALWAYS WEAR SAFETY GLASSES OR EYE SHIELDS BEFORE COMMENCING POWER TOOL OPERATION. WE RECOMMEND WIDE VISION SAFETY MASK FOR OVER SPECTACLES OR STANDARD SAFETY GLASSES AVAILABLE AT SEARS RETAIL OR CATALOG STORES.

OPERATING INSTRUCTIONS (cont'd)

FIG. 5



RECOMMENDED REPLACEMENT PARTS AND ACCESSORIES

Your SEARS WEEDWACKER uses SPECIALLY TREATED .080 DIAMETER MONOFILAMENT NYLON cutting line which is available at SEARS STORES AND CATALOG STORES. You may purchase a fully wound spool (Part No. 85832) or you may purchase a 100 foot coil of line (Part No. 85773) or a large bulk spool of line and rewind your present spool.

CAUTION: The use of heavier line, different types of line and accessories or attachments other than recommended may be hazardous or cause unit failure.

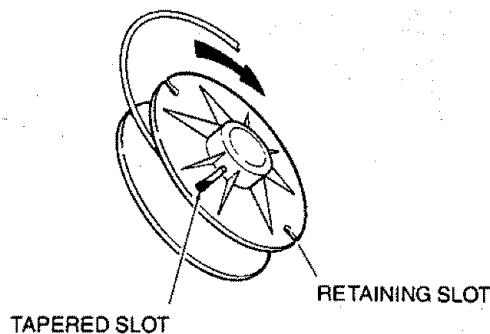
REWINDING SPOOL

When rewinding spool, be sure to wind the line in the direction of the arrow indicated on spool (Fig. 6). If you wind in the opposite direction, the line will not feed. Secure the line to the spool by slipping it into the tapered slot (located in the top of the spool) and sliding line towards center of spool. Approx. $\frac{1}{4}$ inch of line should exit from slot. Line must be wound side by side avoiding crossover or crisscrossing to insure proper line advancing.

Do not wind more than a total of 35 feet of line onto spool.

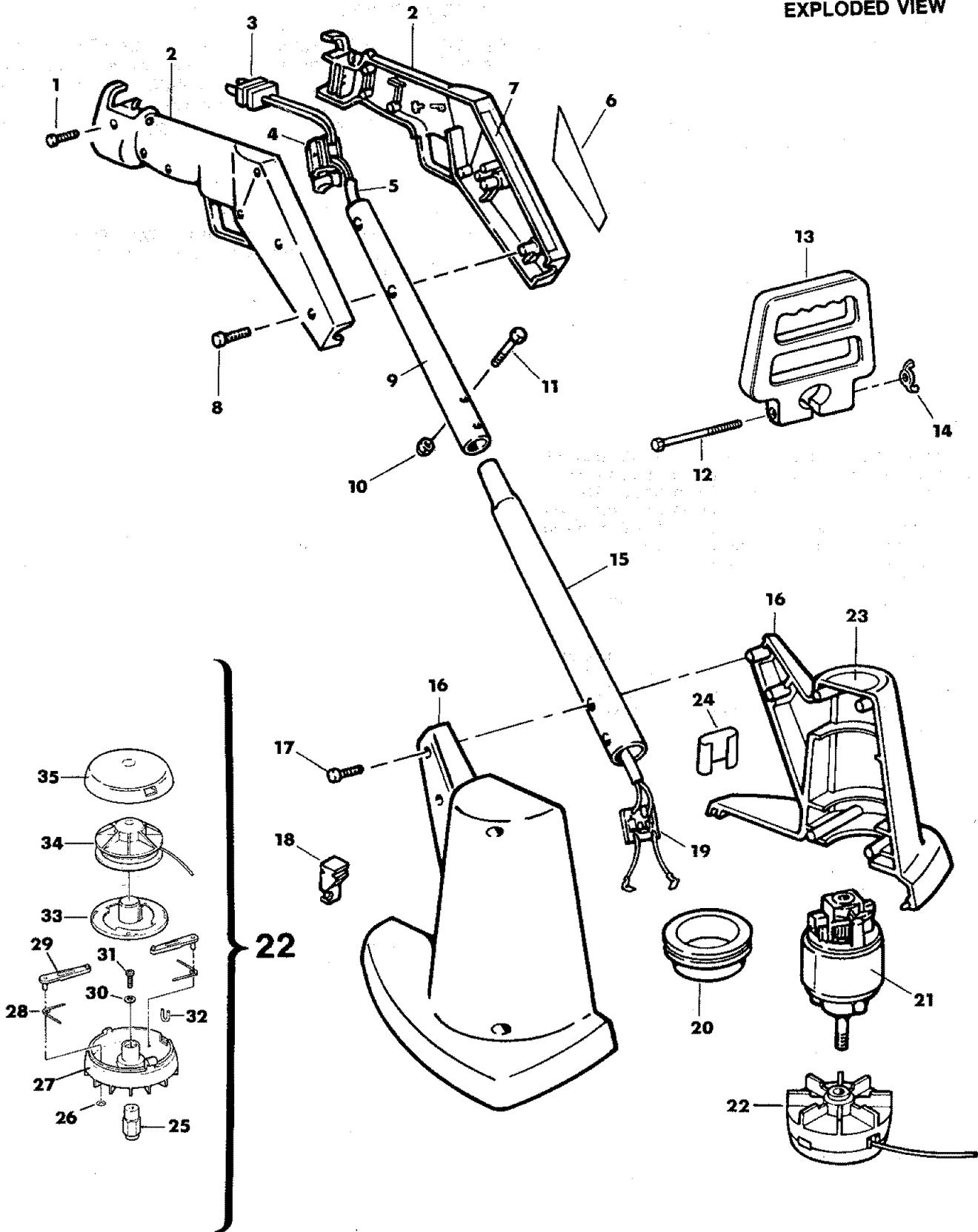
NOTE: The line may be held in position on the spool by inserting the end of the line into the retaining slot marked .080 (Fig. 6). When replacing spool, set spool into the head housing. Pull the line from the retaining slot and guide approx. 3 to 4 inches of line through the opening in the head housing. Replace cover.

FIG. 6



MODEL 257.796060

EXPLODED VIEW



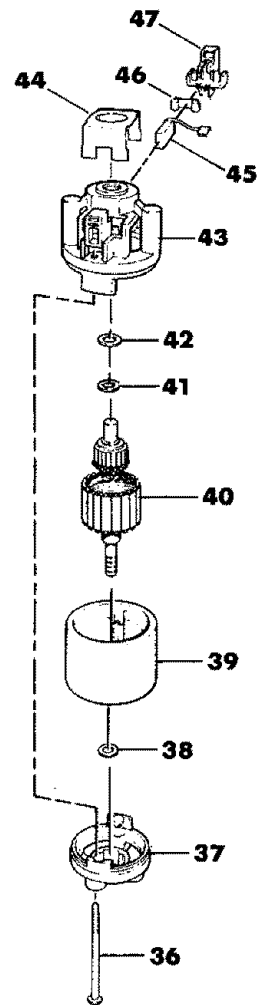
MODEL 257.796060

PARTS LIST

DOUBLE INSULATED — WHEN SERVICING USE ONLY IDENTICAL REPLACEMENT PARTS

REF. NO.	PART NO.	DESCRIPTION	QTY.
1.	8268-2	Screw, 8-18, 11 x 1 1/8 THD Form	1
2.	8265-25	Handle (set)	1
3.	9360-1	Plug, Power	1
4.	1930-1	Switch, Trigger	1
5.	8290	Harness Assy. (complete)	1
6.	9152	Label, Warning/Rating	1
7.	8439	Label, Handle	1
8.	8268-1	Screw, 8-18, 11 x 1/2 THD Form	7
9.	8281	Tube, Upper	1
10.	8283	Stop Nut	2
11.	8296	Screw, 10-24 x 1 1/4 Mach.	2
12.	8284-1	Bolt, 1/4-20 x 4 Hex	1
13.	2827-05	Handle, Assist	1
14.	8285	Wing Nut	1
15.	8282	Tube, Lower	1
16.	8482-1-28	Housing (set)	1
17.	7903	Screw, 10-16 x 1 THD Form	7
18.	5252-05	Blade Retainer Assy.	1
19.	3366	P.C. Board Assy.	1
20.	4872-55	Air Baffle	1
21.	2250-20	Motor Assy.	1
22.	9073-3	Auto Head Assy. (complete)	1
23.	9151	Label, Housing	1
24.	3371	Insulator Shield	1
25.	9003	Drive Adapter	1
26.	4007	Push Nut	2
27.	8990	Housing Head	1
28.	9085	Spring	2
29.	8992	Arm	2
30.	9087	Washer	1
31.	1364-1	Screw, 10-32 x .625	1
32.	9002	Line Shield	1
33.	8391	Cam	1
34.	9079-3	Spool & Line (85832)	1
35.	8994	Cover	1
36.	2287	Screw, 10-32 x 2 3/8	2
37.	2071-1	Endbell Assy. (drive)	1
38.	2288	Washer, Thrust	1
39.	2270-1	Field Assy.	1
40.	2251-20	Armature Assy.	1
41.	2288-2	Washer, Thrust	A/R
42.	2389-3	Spring Washer	1
43.	2275-1	Endbell Assy. (brush)	1
44.	2260	Insulator	1
45.	*2278	Brush, Carbon	2
46.	*2280	Spring, Brush	2
47.	*2277	Holder, Brush	2
48.	88-665-00	Owner's Manual	1

21



*Part No. 4504 Brush Assy. Kit includes items 45, 46, 47

SEARS
OWNER'S
MANUAL

MODEL NO.
257.796060

Sears
SERVICE
is at
YOUR SERVICE.

How to Order Repair Parts

The Model Number will be found on a label attached to your Trimmer's handle tube. Always mention the Model Number when requesting service or repair parts for your Craftsman Trimmer.

All parts listed herein may be ordered from any SEARS SERVICE CENTER located in most retail stores.

WHEN ORDERING REPAIR PARTS, ALWAYS GIVE THE FOLLOWING INFORMATION.

1. PART NUMBER
2. PART DESCRIPTION
3. MODEL NUMBER 257.796060
4. NAME OF ITEM—WEED AND GRASS TRIMMER

USE ONLY SEARS REPLACEMENT PARTS.

If the parts you need are not stocked locally, your order will be electronically transmitted to a Sears Repair Parts Distribution Center for handling.

"Your Sears merchandise has added value when you consider that Sears has service units staffed with Sears trained technicians...professional technicians specifically trained on Sears products, having the parts, tools and equipment to insure that we meet our pledge to you...we service what we sell."

Sold by SEARS, ROEBUCK AND CO., Chicago, IL. 60684 U.S.A.