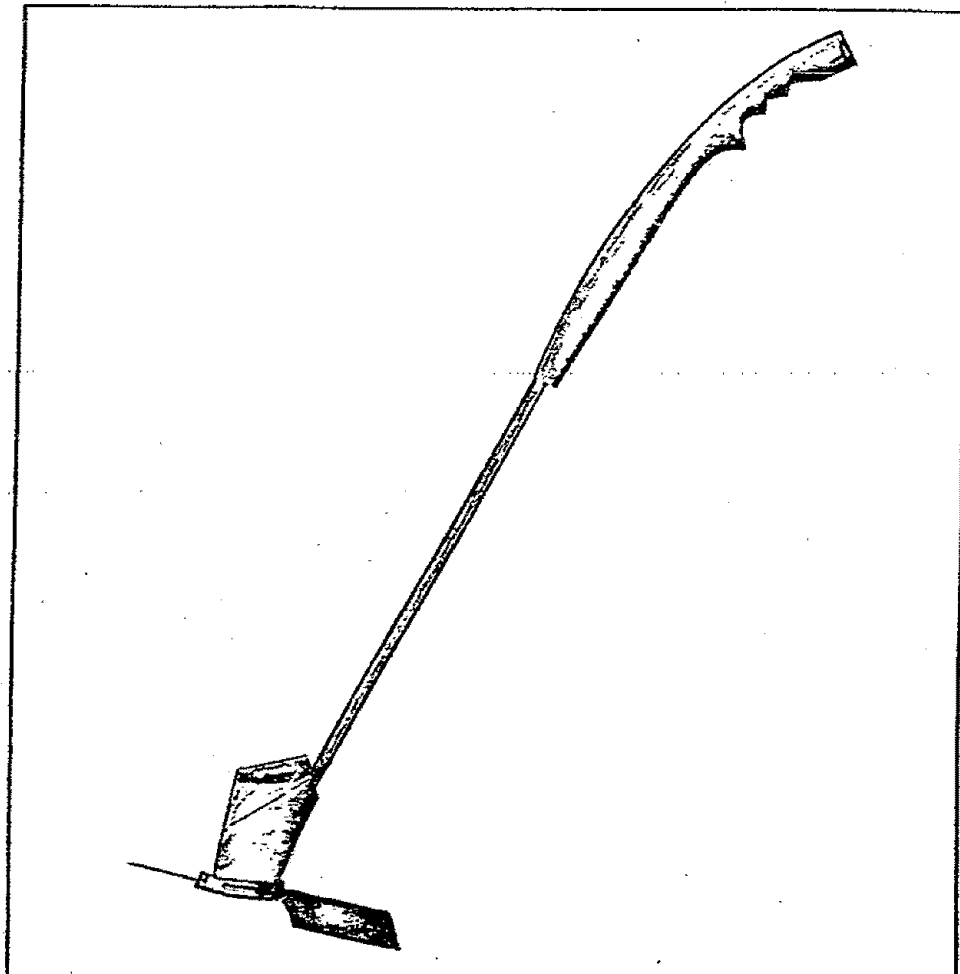


Sears
owner's
manual

MODEL NO.
257.79780



ELECTRIC WEEDWACKER
BLADELESS GRASS TRIMMER
DOUBLE INSULATED



CAUTION:
Read **RULES** for
Safe **OPERATION**
and **INSTRUCTIONS**
Carefully

- Assembly
- Operating
- Repair Parts

Sold by **SEARS, ROEBUCK AND CO.**, Chicago, IL. 60684 U.S.A.
and **SIMPSONS-SEARS LIMITED**, Toronto, Ontario, Canada.

SAFETY RULES FOR POWER TOOLS

RULES FOR SAFE OPERATION

1. Keep fingers and feet and face clear of line while cutting.
2. Use Safety Goggles.
3. Always keep guard in place.
4. Always wear shoes. Do not operate trimmer while bare-foot or when wearing sandals, canvas or open toed shoes.
5. Keep spectators at a safe distance.
6. Do not allow anyone who is not familiar with these rules to use the trimmer.
7. Do not use trimmer as a hedge trimmer.
8. Store indoors in a dry, high, or lock-up place out of reach of children.
9. Don't force this tool. It will work better and safer at the rate it was designed. If motor slows down too much, pull away.
10. Maintain trimmer with care.
11. Do not immerse tool in water or operate in rain.
12. Always unplug cord when tool is unattended.
13. To prevent shock hazard use only a U.L. Approved extension cord suitable for outdoor use. A two wire cord without a ground connection may be used since this tool is double insulated. Cord should be 18 gauge or heavier. More than 100 feet may cause slight loss of power. U.L. Listed cords are available at local Sears Stores.

CAUTION:

Double insulated. When servicing use only identical replacement parts.

To install cord retainer: A cord retainer is provided to prevent inadvertant disconnect of the extension cord. To install cord retainer, thread each end through holes in handle near plug and tie a knot close to end of retainer (Ref. items 3 and 4 in exploded view).

To connect extension cord: Pass plug of cord through loop of cord retainer and wrap retainer around cord one or two turns, then connect cord plug to handle plug. Pull ends of retainer taking up all slack and tie a bow knot with ends, around extension cord. To prevent ends of nylon cord from fraying, burn with match.

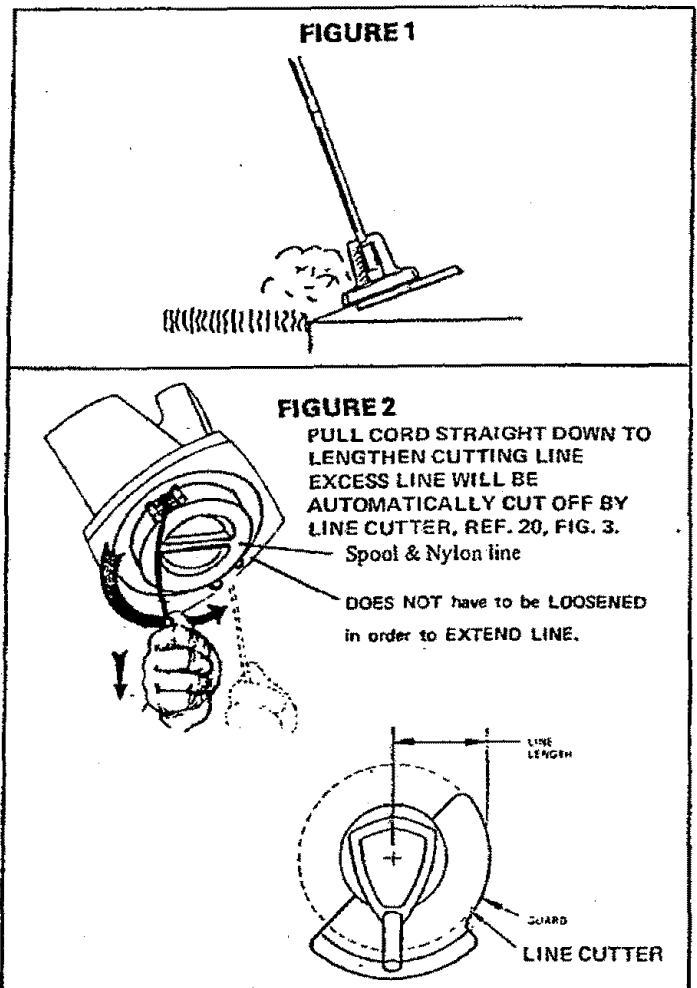
OPERATING INSTRUCTIONS

1. **Nylon line must be proper length** to cut efficiently. This should be approximately as shown in Figure 2. If too long it will hit guard or overload and possibly damage motor.

As cord wears additional line may be pulled out by pulling down on cord and unwinding line to the opening on opposite side of rotating head (see figure 2)

2. **To install replacement spool and nylon line.** Remove spool item #15 figure 3 by grasping center rib and twisting left ¼ turn. Pull spool free.
3. **To rewind nylon line.** Hold spool in hand with rib side toward you. Wind nylon line clockwise.
4. **Trimming** — The Weedwacker should be tilted slightly with the left or open side down as shown in figure 1.

- Best results are accomplished with proper length line and maintaining full speed, and cutting only with the tip of the nylon line.
- When nylon line becomes frayed, cut off tip.
- The Weedwacker is ideal for trimming next to trees, walls, fence and other difficult areas.

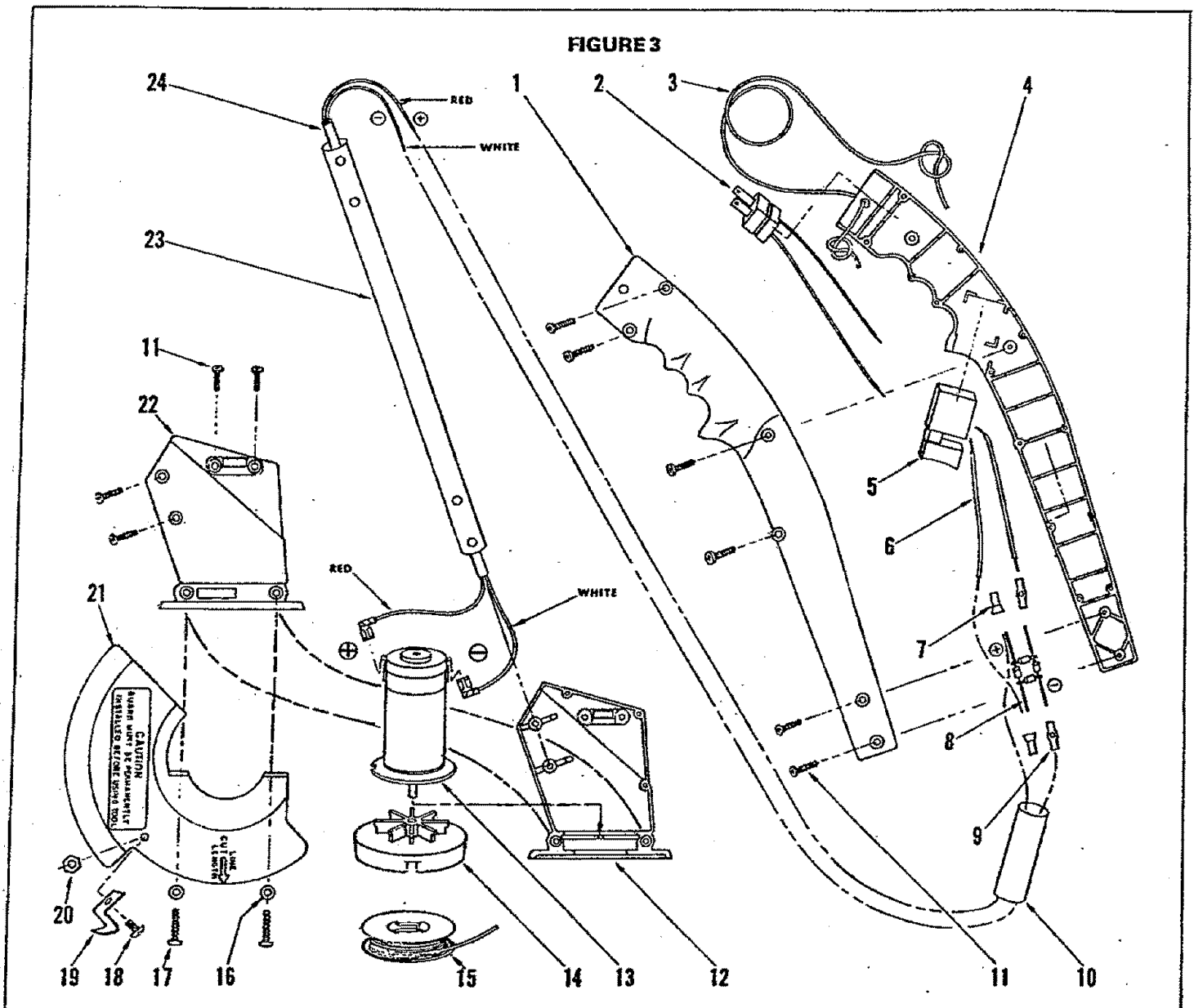


ELECTRIC WEEDWACKER MODEL 257.79780 PARTS LIST

REF. PART NO.	DESCRIPTION	QTY.	REF. PART NO.	DESCRIPTION	QTY.
1 **1924-05	Handle, Right Hand	1	16 2616	Washer, Plain, 5/16 O.D. x 3/16 I.D. x 1/32 thick	2
2 1932	Plug, A.C.	1	17 2224	Screw, Pan Hd., Phillips, 10-16 Hi-Lo Thread x 1" Long	2
3 1959	Power Cord Retainer	1	18 1835	Screw, Mach. Truss Hd., 10-24 x 5/16	1
4 **1925-05	Handle, Left Hand	1	19 2621	Line Cutter	1
5 1930-1	Switch	1	20 *190254	Nut, Hex., Lock, 10-24 Thd.	1
6 1967-3	Lead Wire	2	21 2613-05	Guard, Foot	1
7 561	Connector, Closed End	2	22 ***1940-45	Housing, Right Hand	1
8 2683	Rectifier, Full Wave Bridge	1	23 1923	Tube, Handle	1
9 2265	Parallel Splice, Insulated	2	24 1928	Harness	1
10 2242	Sleeve, Insulating	1	25 256	Owners Manual (Not Shown)	1
11 1938	Screw, P.H. 8-18 Hi-Lo Thread x 5/8 Long	10			
12 ***1941-45	Housing, Left Hand	1			
13 00-055	Motor	1			
14 2649-05	Head, Rotating	1			
15 2648-05	Spool & Nylon Line	1			

* Denotes Standard Hardware - May be purchased locally.

** & *** Must be purchased as a mated pair.



owner's manual

MODEL NO.
257.79780

**Sears
NATIONWIDE
SERVICE
is at
YOUR SERVICE.**

How to Order Repair Parts

The Model Number will be found on a plate attached to your Weedwacker cover housing. Always mention the Model Number when requesting service or repair parts for your Craftsman Weedwacker.

All parts listed herein may be ordered from any SEARS, ROEBUCK AND CO. or SIMPSONS-SEARS LIMITED retail or catalog store.

WHEN ORDERING REPAIR PARTS, ALWAYS GIVE THE FOLLOWING INFORMATION:

1. PART NUMBER
2. PART DESCRIPTION
3. MODEL NUMBER – 257.79780
4. NAME OF ITEM – ELECTRIC BLADELESS GRASS TRIMMER
DOUBLE INSULATED

If the parts you need are not stocked locally, your order will be electronically transmitted to a Sears Repair Parts Distribution Center for expedited handling."

CRAFTSMAN FULL ONE YEAR WARRANTY ON MODEL NO. 257.79780 GRASS TRIMMER

If this Grass Trimmer fails to perform properly due to defects in material or workmanship within one year from the date of purchase, we will repair it free of charge.

This warranty service is available by contacting any Sears store or service center throughout the United States.

SEARS, ROEBUCK AND CO.

**Sold by SEARS, ROEBUCK AND CO., Chicago, IL. 60684 U.S.A.
and SIMPSONS-SEARS LIMITED, Toronto, Ontario, Canada.**