

TOUCH CODE TRANSMITTER MODEL 139.53776

OWNERS MANUAL

F.C.C. rules prohibit adjustments to or modification of receiver and transmitter circuitry except for changing the code setting and replacing the transmitter battery. THERE ARE NO OTHER USER SERVICEABLE PARTS.

Manufactured under 1 or more of the following U.S. patents: RE29,525; 4,037,201; 4,750,118; 4,806,930

FEATURES OF THE TOUCH CODE TRANSMITTER

Personalized Code: Up to 10,000 possible combinations. Code can easily be changed if desired.

Operation: Opener activates when programmed code is keyed into transmitter and ENTER button is pressed.

The user has 10 seconds to key in the 4-digit code and press the ENTER button.

If wrong numbers are accidentally pressed, correction can be made immediately. The ENTER key will transmit only the last four digits.

This transmitter can be used with any 53000SR Series garage door opener and/or Light Control.

Keypad will illuminate for 10 seconds at the first push of ANY number key.

Keypad will remain illuminated for 20 seconds after code is transmitted. During that time you can STOP or REVERSE door travel just by pressing the ENTER key.

Power Supply: 12Volt battery.

Installation: Simple to install. Fastening screws and plug are provided.

All 53000SR Series Receivers have two memory channels; one for the Touch Code Transmitter and the other for all portable transmitters used to operate an opener or to turn on lights.

INSTALL TRANSMITTER

Open the transmitter cover and remove the battery compartment screw. Set cover aside and remove battery. NOTE BATTERY POLARITY AS MARKED ON COMPARTMENT. Follow the mounting instructions which apply to your type of door as described below.

NOTE: If you want the transmitter in a location different from the one illustrated, it is recommended that you program the code into the receiver and test the operation of the transmitter before mounting it. A metal door, foil-backed insulation or aluminum siding will lessen transmission range.

SECTIONAL DOOR INSTALLATION: Center the transmitter on garage jamb face at eye level as shown (Figure 1).

Hold the transmitter firmly against jamb with cover half open so both top and bottom mounting holes are visible. Use a punch to mark each hole. Drill two 1/8" pilot holes. Fasten transmitter securely with screws provided.

Insert the plug provided into top hole to cover the fastening screw. When installing the battery, be sure to observe polarity (refer to illustration). Re-fasten compartment cover.

ONE-PIECE DOOR INSTALLATION: Install the transmitter on exterior front wall of a FRAME garage. Be sure to position it away from the door opening to avoid injury as door swings out and up (Figure 2). NOTE: If the garage is constructed of material other than wood (brick, stone or aluminum siding), install transmitter on door jamb with this important exception: LOCATE TRANSMITTER ON OUTSIDE EDGE OF DOOR JAMB TO AVOID INJURY AS DOOR SWINGS OUT AND UP.

Mark fastening holes, drill and install the transmitter as instructed for sectional door. NOTE BATTERY POLARITY.

FIGURE 1

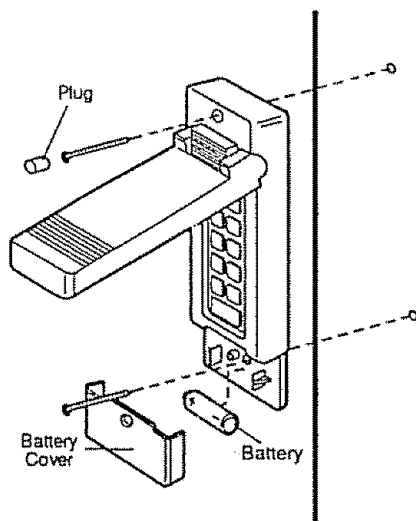
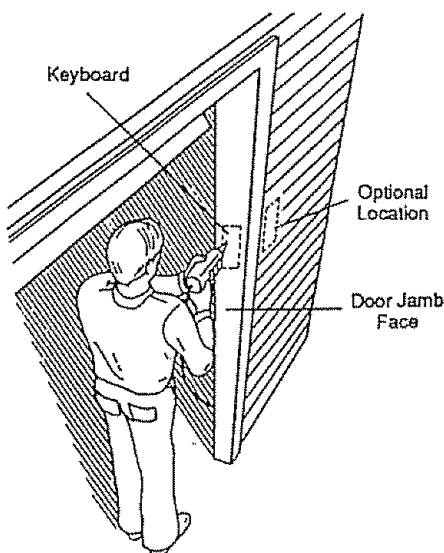
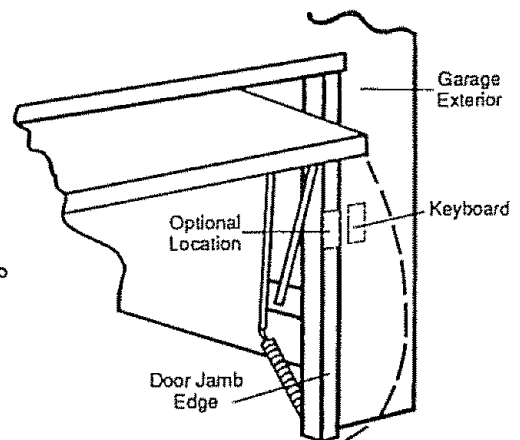


FIGURE 2



SETTING THE CODE

1. Open the Touch Code Transmitter cover to access the keypad. Decide on a 4-digit code number using numbers from 0 to 9. You can use a number more than once. (For example, 4, 0, 4, 1).
2. Press the 'SR' code button on the opener panel. The indicator light alongside the push button will turn ON.
3. **STAND AWAY FROM THE DOOR.** Press the selected code numbers on the keypad and then press the ENTER key. The indicator light on the opener panel will turn OFF and the door will begin to move. The opener receiver has been programmed with your code selection.

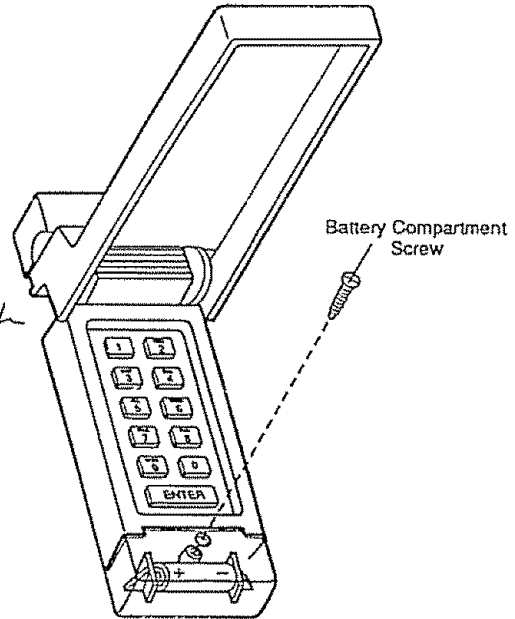
NOTE 1: If the indicator light turns OFF before the code digits and ENTER key are pressed, repeat Steps 2 and 3.

NOTE 2: During programming, be sure the ~~Vacation~~ ^{LOCK} push button (if your opener has that feature) is OFF and the Infrared Sensor (if you have installed that accessory) is free of obstruction. **THE DOOR WILL NOT MOVE AND THE INDICATOR LIGHT WILL NOT TURN OFF** in either case.

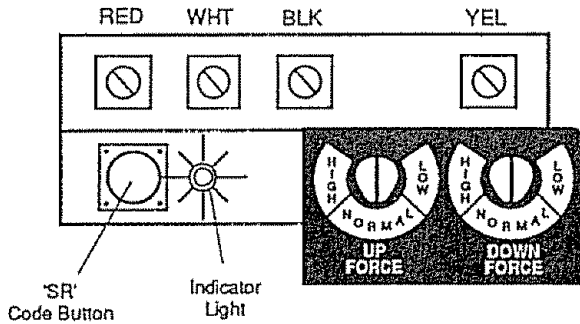
To change your code at any time, repeat Steps 1, 2 and 3.

BATTERY: The 12 Volt battery should produce power for at least one year. As long as there is adequate power, the keypad will illuminate and receiver will operate when code and ENTER keys are pressed.

Replace the battery when keypad illumination becomes dim.



GARAGE DOOR OPENER RECEIVER
(With 'SR' Code Button)



SEARS MODEL 139.53776 TOUCH CODE TRANSMITTER

PARTS LIST

12 Volt Battery..... 10A14

NO OTHER USER SERVICEABLE PARTS

