

Operator's Manual



2-Cycle GAS BACKPACK BLOWER

Model No. 316.794990

INCREDI-PULL™
UNBELIEVABLE STARTING EASE™

with **MAXFIRE** IGNITION™



CAUTION: Before using this product, read this manual and follow all safety rules and operating instructions.

- SAFETY
- ASSEMBLY
- OPERATION
- MAINTENANCE
- PARTS LIST

Sears, Roebuck and Co., Hoffman Estates, IL 60179, U.S.A.
Visit our website: www.sears.com/craftsman

TABLE OF CONTENTS

Warranty	Page 2	Operation	Page 12
Safety Rules	Pages 3 - 7	Maintenance	Pages 13 - 15
Oil and Fuel information	Page 8	Troubleshooting	Page 16
Assembly	Page 9	Repair Parts	Page 18
Starting / Stopping instruction	Pages 10 - 11	Spanish	Pages 21 - 40

WARRANTY STATEMENT

TWO YEAR LIMITED WARRANTY ON CRAFTSMAN GAS BACKPACK BLOWER

For two years from the date of purchase, when this Blower is used and maintained according to the operator's manual, Sears will repair any defect in material or workmanship free of charge.

This warranty excludes the spark plug and air filter, which are expendable parts that can wear out from normal use in less than two years.

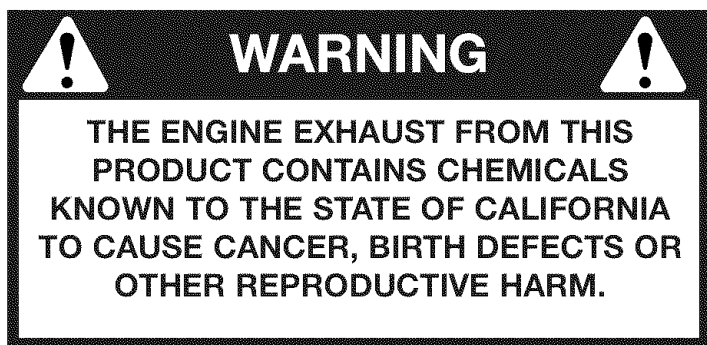
If this Blower is used for commercial or rental purposes, this warranty applies for only 30 days from the date of purchase.

WARRANTY SERVICE IS AVAILABLE BY RETURNING THIS BLOWER TO THE NEAREST SEARS STORE OR SEARS PARTS & REPAIR CENTER IN THE UNITED STATES.

This warranty gives you specific legal rights, and you may also have other rights which vary from state to state.

Sears, Roebuck and Co., Dept. 817WA, Hoffman Estates, IL 60179

CALIFORNIA PROPOSITION 65 WARNING



SPARK ARRESTOR NOTE

NOTE: For users on U.S. Forest Land and in the states of California, Maine, Oregon and Washington. All U.S. Forest Land and the state of California (Public Resources Codes 4442 and 4443), Oregon and Washington require, by law that certain internal combustion engines operated on forest brush and/or grass-covered areas be equipped with a spark arrestor, maintained in effective working order, or the engine be constructed, equipped and maintained for the prevention of fire. Check with your state or local authorities for regulations pertaining to these requirements. Failure to follow these requirements could subject you to liability or a fine. **This unit is factory equipped with a spark arrestor.** If it requires replacement, ask a Sears or other qualified service dealer to install the **Spark Arrestor Kit.**

RULES FOR SAFE OPERATION

The purpose of safety symbols is to attract your attention to possible dangers. The safety symbols, and their explanations, deserve your careful attention and understanding. The safety warnings do not by themselves eliminate any danger. The instructions or warnings they give are not substitutes for proper accident prevention measures.

SYMBOL	MEANING
--------	---------



SAFETY ALERT: Indicates danger, warning or caution. Attention is required in order to avoid serious personal injury. May be used in conjunction with other symbols or pictographs.

NOTE: Advises you of information or instructions vital to the operation or maintenance of the equipment.

Read the Operator's Manual(s) and follow all warnings and safety instructions. Failure to do so can result in serious injury to the operator and/or bystanders.

• IMPORTANT SAFETY INSTRUCTIONS •

READ ALL INSTRUCTIONS BEFORE OPERATING

- Read the instructions carefully. Be familiar with the controls and proper use of the unit.



WARNING: When using the unit, you must follow the safety rules. Please read these instructions before operating the unit in order to ensure the safety of the operator and any bystanders. Please keep these instructions for later use.

- Do not operate this unit when tired, ill, or under the influence of alcohol, drugs, or medication.
- Children must not operate the unit. Teens must be accompanied and guided by an adult.
- All guards and safety attachments must be installed properly before operating the unit.
- Inspect the unit before use. Replace damaged parts. Check for fuel leaks. Make sure all fasteners are in place and secure. Replace parts that are cracked, chipped, or damaged in any way. Do not operate the unit with loose or damaged parts.
- Carefully inspect the area before starting the unit. Remove all debris and hard or sharp objects such as glass, wire, etc.
- Clear the area of children, bystanders, and pets. At a minimum, keep all children, bystanders, and pets outside a 50 feet (15 m.) radius; there still may be a risk to bystanders from thrown objects. Bystanders should be encouraged to wear eye protection. If you are approached, stop the unit immediately.

SYMBOL	MEANING
--------	---------



DANGER: Failure to obey a safety warning will result in serious injury to yourself or to others. Always follow the safety precautions to reduce the risk of fire, electric shock and personal injury.



WARNING: Failure to obey a safety warning can result in injury to yourself and others. Always follow the safety precautions to reduce the risk of fire, electric shock and personal injury.



CAUTION: Failure to obey a safety warning may result in property damage or personal injury to yourself or to others. Always follow the safety precautions to reduce the risk of fire, electric shock and personal injury.

FUEL SAFETY WARNINGS



WARNING: Gasoline is highly flammable, and its vapors can explode if ignited. Take the following precautions:

- Store fuel only in containers specifically designed and approved for the storage of such material.
- Avoid creating a source of ignition for spilled fuel. Do not start the engine until fuel vapors dissipate.
- Always stop the engine and allow it to cool before filling the fuel tank. Never remove the cap of the fuel tank, or add fuel, when the engine is hot. Never operate the unit without the fuel cap securely in place. Loosen the fuel tank cap slowly to relieve any pressure in the tank.
- Add fuel in a clean, well-ventilated outdoor area where there are no sparks or flames. Slowly remove the fuel cap only after stopping engine. Do not smoke while fueling or mixing fuel. Wipe up any spilled fuel from the unit immediately. Always wipe unit dry before using.
- Move the unit at least 30 feet (9.1 m) from the fueling source and site before starting the engine. Do not smoke. Keep sparks and open flames away from the area while adding fuel or operating the unit.

RULES FOR SAFE OPERATION

WHILE OPERATING

- Never start or run the unit inside a closed room or building. Breathing exhaust fumes can kill. Operate this unit only in a well-ventilated outdoor area.
- Wear safety glasses or goggles that are marked as meeting ANSI Z87.1 standards and are marked as such. Wear ear/hearing protection when operating this unit.
- Never run the unit without the the proper equipment attached. When using this unit, always install the blower tubes depending on blower application.
- To reduce the risk of hearing loss associated with sound level(s), always wear ear/hearing protection when operating this unit.
- Wear heavy long pants, boots, gloves, and a long sleeve shirt. Do not wear loose clothing, jewelry, short pants, sandals, or go barefoot. Secure hair above shoulder level.
- To avoid static electricity shock, do not wear rubber gloves or any other insulated gloves while operating this unit.
- Use the unit only in daylight or good artificial light.
- Keep outside surfaces free from oil and fuel.
- Avoid accidental starting. Be in the starting position whenever pulling the starter rope. The operator and unit must be in a stable position while starting. Refer to *Starting/Stopping Instructions*.
- Do not set unit on any surface except a clean, hard area while engine is running. Debris such as gravel, sand, dust, grass, etc. could be picked up by the air intake and thrown out by the discharge opening, damaging unit, property, or causing serious injury to bystanders or operator.
- Use the right tool. Only use this tool for its intended purpose.
- Do not force unit. It will do the job better and with less likelihood of injury at a rate for which it was designed.
- Do not overreach or use from unstable surfaces such as ladders, trees, steep slopes, rooftops, etc. Always keep proper footing and balance.
- Always hold the unit with a firm grip when operating.
- Keep hands, face, and feet away from all moving parts. Do not touch or try to stop the impeller when it is rotating. Do not operate without guards in place.
- Do not put any object into openings. Do not use with any opening blocked; keep free of dirt, debris, and anything that may reduce the air flow.
- Do not touch the engine or muffler. These parts get extremely hot from operation, even after the unit is turned off.
- Do not operate the engine faster than the speed needed to do the job. Do not run the engine at high speed when not in use.
- Always stop the engine when operation is delayed or when walking from one location to another.
- Stop the engine for maintenance, repair, to install or remove the blower tubes attachments. The unit must be stopped and the impeller no longer turning to avoid contact with the rotating blades.
- If you strike or come into contact with a foreign object, stop the engine immediately and check for damage. Do not operate before repairing damage. Do not operate the unit with loose or damaged parts.
- Use only original equipment manufacturer replacement parts when servicing this unit. These parts are available from your authorized service dealer. Do not use unauthorized parts, accessories, or attachments for this unit. Doing so could lead to serious injury to the user, or damage to the unit, and void your warranty.
- Never use this unit for spreading chemicals, fertilizers or other substances which may contain toxic materials.
- To reduce fire hazard, replace faulty muffler and spark arrestor. Keep the engine and muffler free from grass, leaves, excessive grease or carbon build up.
- Turn the engine off and disconnect the spark plug for maintenance of repair.
- Never point the blower or blowing debris in the direction of people, animals or in the direction of windows. Always direct the blowing debris away from people, animals, and windows. Use extra caution when blowing debris near solid objects such as trees, automobiles, walls, etc.

RULES FOR SAFE OPERATION

OTHER SAFETY WARNINGS

- Always disconnect the spark plug before performing maintenance or accessing movable parts.
- Never store the unit, with fuel in the tank, inside a building where fumes may reach an open flame (pilot lights, etc.) or sparks (switches, electrical motors, etc.).
- Allow the engine to cool before storing or transporting. Be sure to secure the unit while transporting.
- Store the unit in a dry place, secured, or at a height to prevent unauthorized use or damage. Keep out of the reach of children.
- Never douse or squirt the unit with water or any other liquid. Keep handles dry, clean, and free from debris. Clean after each use, see *Cleaning and Storage* instructions.
- Keep these instructions. Refer to them often and use them to instruct other users. If you loan this unit to others, also loan these instructions to them.

SPECIAL NOTE: Exposure to vibrations through prolonged use of gasoline powered hand tools could cause blood vessel or nerve damage in the fingers, hands, and joints of people prone to circulation disorders or abnormal swelling. Prolonged use in cold weather has been linked to blood vessel damage in otherwise healthy people. If symptoms occur such as numbness, pain, loss of strength, change in skin color or texture, or loss of feeling in the fingers, hands or joints, discontinue use of this tool and seek medical attention. An anti-vibration system does not guarantee avoidance of these problems. Users who operate power tools on a regular basis must closely monitor their physical condition and the condition of this tool.

SAVE THESE INSTRUCTIONS

RULES FOR SAFE OPERATION

SAFETY AND INTERNATIONAL SYMBOLS

This operator's manual describes safety and international symbols and pictographs that may appear on this product. Read the operator's manual for complete safety, assembly, operating and maintenance and repair information.

SYMBOL

MEANING



- **SAFETY ALERT SYMBOL**
Indicates danger, warning, or caution. May be used in conjunction with other symbols or pictographs.



- **READ OPERATOR'S MANUAL**
WARNING: Read the Operator's Manual(s) and follow all warnings and safety instructions. Failure to do so can result in serious injury to the operator and/or bystanders.



- **WEAR EYE, HEARING AND HARD-HAT PROTECTION**
WARNING: Thrown objects and loud noise can cause severe eye injury and hearing loss. Wear eye protection meeting ANSI Z87.1-1989 standards and ear protection when operating this unit. Wear a hard hat. Use a full face shield when needed.



- **MINIMUM OPERATING DISTANCE**
WARNING: Keep children, bystanders, and animals 50 feet (15 meters) away. If approached stop unit immediately.



- **UNLEADED FUEL**
Always use clean, fresh unleaded fuel.



- **OIL**
Refer to operator's manual for the proper type of oil.

SYMBOL

MEANING



- **ON/OFF CONTROL**
ON / START / RUN



- **ON/OFF CONTROL**
OFF OR STOP



- **RED CHOKE LEVER POSITIONS**
1 • **FULL** Choke Position



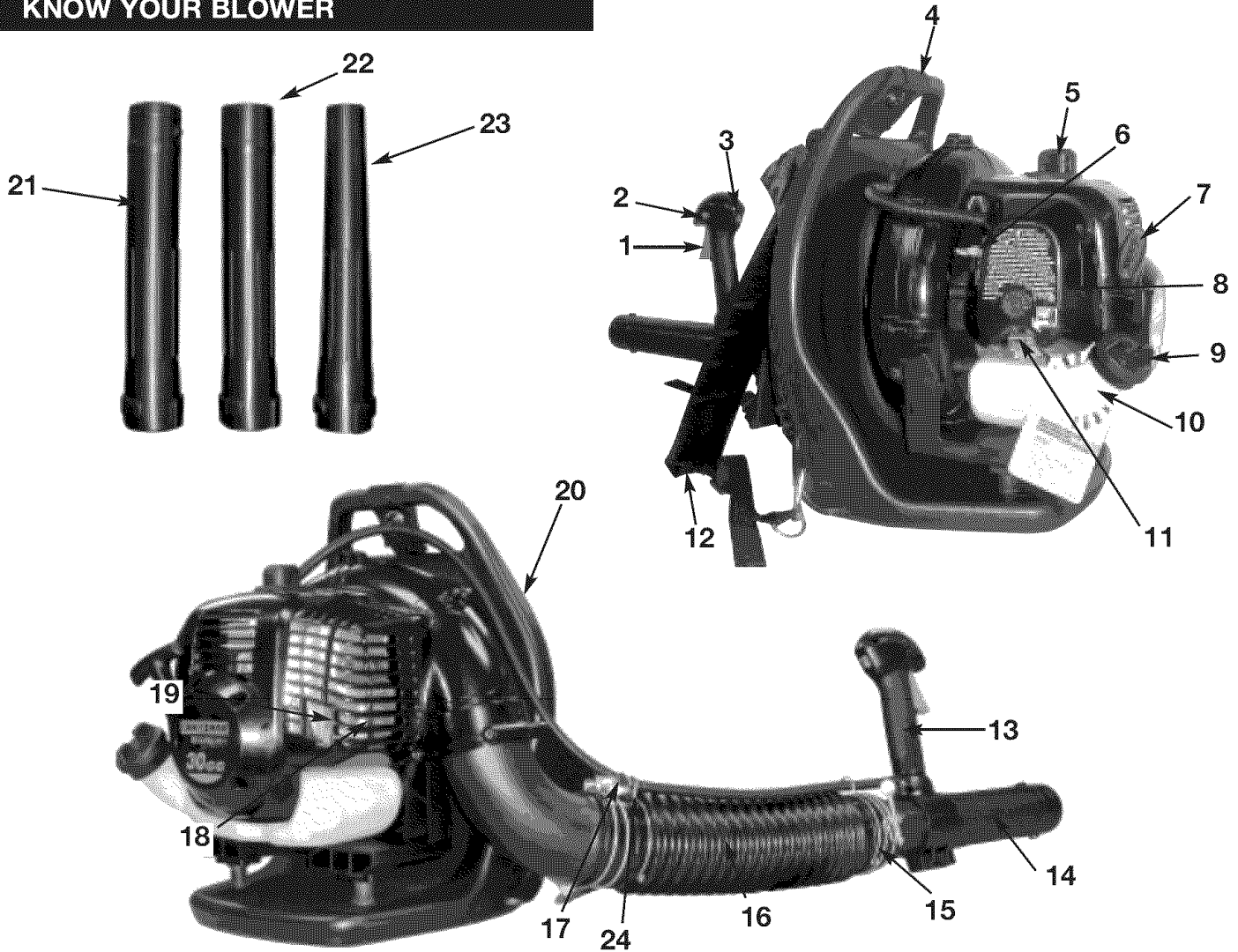
- 2 • **PARTIAL** Choke Position



- 3 • **RUN** Position

RULES FOR SAFE OPERATION

KNOW YOUR BLOWER



BLOWER COMPONENTS

- | | |
|---------------------------------|------------------------------|
| 1. THROTTLE TRIGGER | 15. HOSE CLAMP |
| 2. THROTTLE LOCK | 16. FLEX TUBE |
| 3. ON/OFF IGNITION SWITCH | 17. THROTTLE LINKAGE |
| 4. TOP ASSIST HANDLE | 18. MUFFLER COVER |
| 5. SPARK PLUG WIRE / SPARK PLUG | 19. SPARK ARRESTER SCREEN |
| 6. CHOKE LEVER | 20. VENTED BACK PAD |
| 7. STARTER HANDLE | 21. INTERMEDIATE TUBE |
| 8. AIR CLEANER COVER | 22. 56mm NOZZLE |
| 9. FUEL CAP | 23. 45mm CONCENTRATOR NOZZLE |
| 10. FUEL TANK | 24. THROTTLE LINKAGE CLIPS |
| 11. PRIMER BULB | |
| 12. HARNESS | |
| 13. CONTROL HANDLE | |
| 14. OPERATING TUBE | |

OIL AND FUEL INFORMATION

OIL AND FUEL MIXING INSTRUCTIONS

Old and/or improperly mixed fuel are the main reasons for the unit not running properly. Be sure to use fresh, (less than 60 days old) clean unleaded fuel. Follow the instructions carefully for the proper fuel/oil mixture.

Definition of Blended Fuels

Today's fuels are often a blend of gasoline and oxygenates such as ethanol, methanol, or MTBE (ether). Alcohol-blended fuel absorbs water. As little as 1% water in the fuel can make fuel and oil separate and leads to formation of acids during storage. When using alcohol-blended fuel, use fresh fuel.

Using Blended Fuels


If you choose to use a blended fuel, or its use is unavoidable, follow recommended precautions:

- Always use the fresh fuel mix explained in your operator's manual
- Always agitate the fuel mix before fueling the unit
- Drain the tank and run the engine dry before storing the unit

Using Fuel Additives

The bottle of 2-cycle oil that came with your unit contains a fuel additive which will help inhibit corrosion and minimize the formation of gum deposits. It is recommended that you use our 2-cycle oil with this unit.



If unavailable, use a good 2-cycle oil designed for air-cooled engines along with a fuel additive, such as STA-BIL® Gas Stabilizer or an equivalent. Add 0.8 oz. (23 ml.) of fuel additive per gallon of fuel according to the instructions on the container. NEVER add fuel additives directly to the unit's fuel tank.

	CAUTION: For proper engine operation and maximum reliability, pay strict attention to the oil and fuel mixing instructions on the 2-cycle oil container. Using improperly mixed fuel can severely damage the engine.
--	---


To Obtain Correct Fuel Mix:

Thoroughly mix the proper ratio of 2-cycle engine oil with unleaded gasoline in a separate fuel can. Use a 40:1 fuel/oil ratio. Do not mix them directly in the engine fuel tank. See the table below for specific gas and oil mixing ratios.


NOTE: One gallon (3.8 liters) of unleaded gasoline mixed with one 3.2 oz. (95 ml.) bottle of

	+	
UNLEADED GAS		2 CYCLE OIL
1 GALLON US (3.8 LITERS)		3.2 FL. OZ. (95 ml)
1 LITER		25 ml

MIXING RATIO - 40:1

	WARNING: Gasoline is extremely flammable. Ignited Vapors may explode. Always stop the engine and allow it to cool before filling the fuel tank. Do not smoke while filling the tank. Keep sparks and open flames at a distance from the area.
---	--

	WARNING: Remove fuel cap slowly to avoid injury from fuel spray. Never operate the unit without the fuel cap securely in place.
---	--

	WARNING: Add fuel in a clean, well ventilated outdoor area. Wipe up any spilled fuel immediately. Avoid creating a source of ignition for spilled fuel. Do not start the engine until fuel vapors dissipate.
---	---

2-cycle oil makes a 40:1 fuel/oil ratio.

NOTE: Dispose of the old fuel/oil mix in accordance to Federal, State and Local regulations.

ASSEMBLY INSTRUCTIONS

ATTACH FLEX TUBE

Put the hose clamp(C) on the flex tube before connecting the flex tube and the fan's outlet tube together.

Connect the flex tube (B) to the fan's outlet tube (A) (Fig. 1) with a hose clamp (C) (Fig. 2) and tighten securely (Fig. 2).

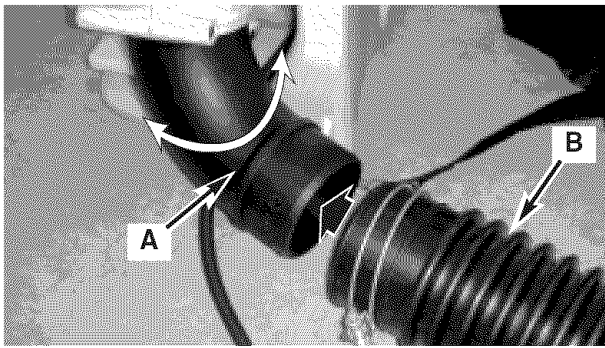


Fig. 1

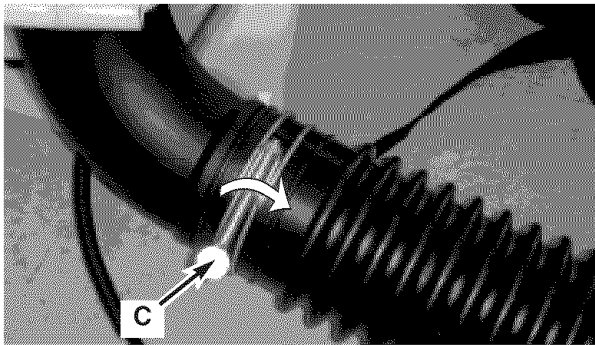


Fig. 2

ATTACH OPERATING TUBE

NOTE: keep the throttle cable as straight as possible when connecting the blower tubes.

1. Place the unit on flat surface during assembly. Insure screw mechanism of clamp is positioned away from operator.
2. Put the hose clamp(C) on the flex tube and the operating tube together.
3. Turn the rotary ring mark(D) so it aligns with the throttle handle (F). Insert the operating tube (E) into the flex tube (B) (Fig. 3) and then tighten securely with a hose clamp (G)(Fig. 4).
4. Attached throttle linkage clips (# 24-know your blower) - to both ends of the flex tube to secure the throttle cable. (See Fig. 5 and Fig. 6)

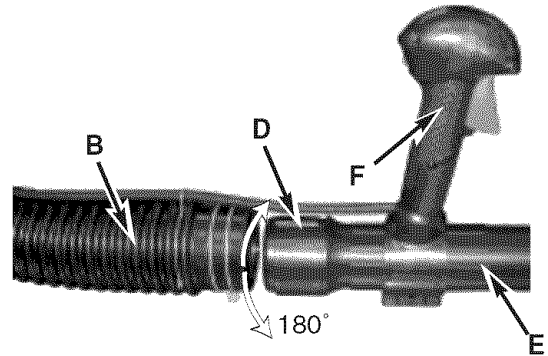


Fig. 3

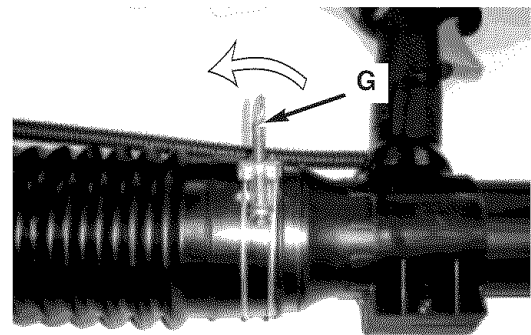


Fig. 4

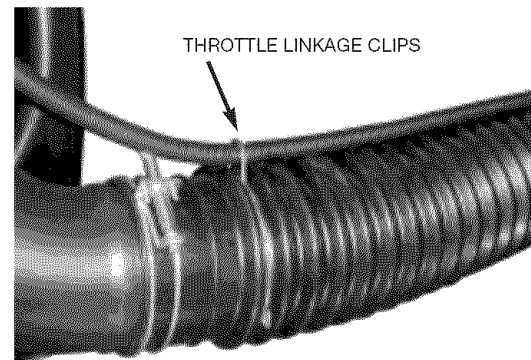


Fig. 5

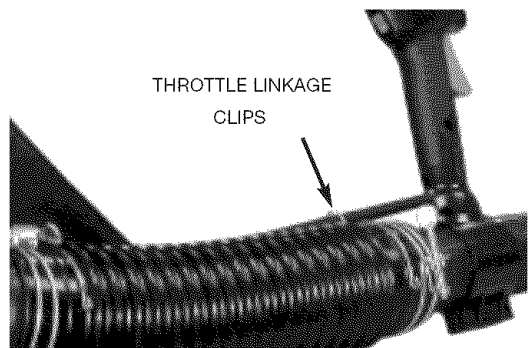


Fig. 6

ASSEMBLY INSTRUCTIONS

ATTACH INTERMEDIATE TUBE AND CONCENTRATOR NOZZLE

Connect the intermediate tube (H) and air nozzle (I). Push the tubes together and turn them clockwise so that they lock together. (Fig. 7)

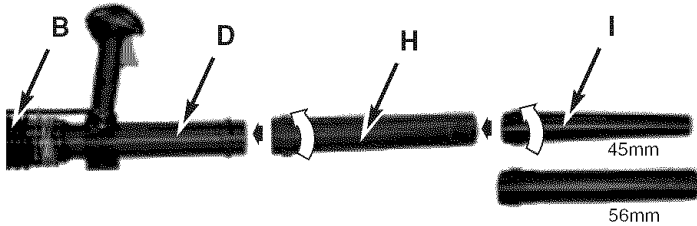


Fig. 7

ADJUST BACK PACK HARNESS AND CONTROL HANDLE

1. Place blower on your back by slipping arms through the shoulder straps as if you were putting on a jacket (Figure 8).
2. Once adjustments have been made, to the straps for user comfort, remove the blower from your back and place on level ground in an upright position.
3. Adjust backpack harness and control handle.



Fig. 8

STARTING/STOPPING INSTRUCTIONS

STARTING A COLD ENGINE (Above 55°F)

Fill fuel tank with proper gas and oil mixture. See FUEL AND LUBRICATION. Set unit upright on ground so that it rests on the back pack frame.

1. Pump primer bulb 10 X by pressing up on the bulb (D). (Figure 10)
2. Your unit is designed with a 3 position choke: FULL CHOKE "1", PARTIAL CHOKE "2", and RUN "3". Move choke lever to FULL CHOKE "1" position. (Figure 9)
3. Set throttle lock (C): While holding trigger (B) at wide open position, press down and hold throttle lock (C). Release throttle trigger (B), then release throttle lock (C). Throttle trigger (B) will now remain in the wide open position. Make sure ignition switch is in the ON (I) position. (Fig. 11)

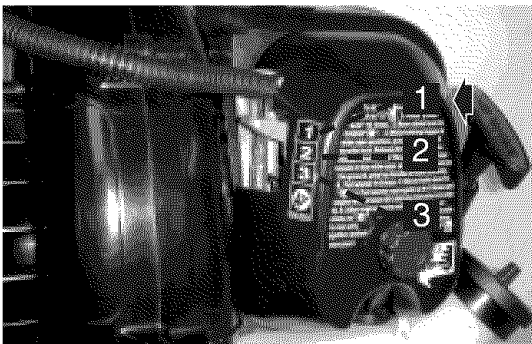


Fig. 9

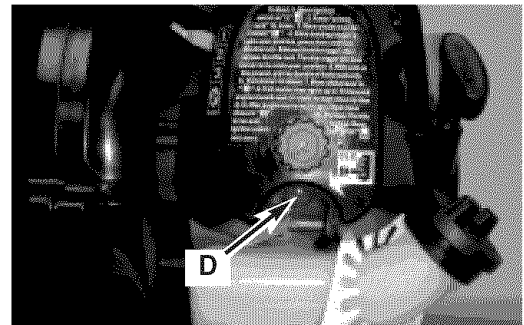


Fig. 10

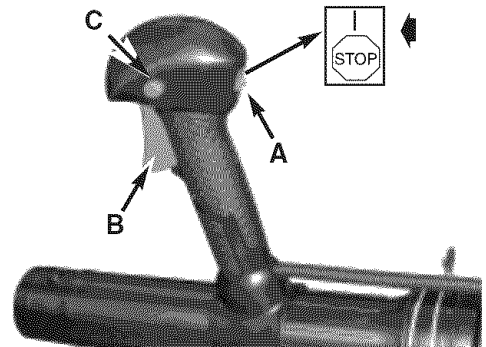


Fig. 11

STARTING/STOPPING INSTRUCTIONS

NOTE: The unit uses the **INCREDI-PULL™** starting system with **MAX FIRE IGNITION™**, which significantly reduces the effort required to start the engine. You must pull the starter rope out far enough to hear the engine attempt to start. There is no need to pull the rope briskly--there is no harsh resistance when pulling. Be aware that this starting method is vastly different from (and much easier than) what you may be used to.

4. With the unit on the ground, hold the top assist handle and step on the bottom of the frame with foot. (Figure 12)
5. Pull starter rope 4-6 times-if unit does not start move choke lever to position 2 and pull 4-6 more times (Fig. 13). Wait 10 sec. after unit starts then move choke lever to position 3. (Fig.14)
6. Press trigger to run.

NOTE: If engine fails to start after repeated attempts, refer to Troubleshooting section.

NOTE: Always pull starter rope straight out. Pulling starter at an angle will cause rope to rub against the eye-let. This friction will cause the rope to fray and wear more quickly. Always hold starter handle when rope retracts. Never allow rope to snap back from extended position. This could cause rope to snag or fray and also damage the starter assembly.

IMPORTANT IDLING INFORMATION

In some cases due to operating conditions (altitude, temperature etc.) your blower may need a slight adjustment to the idle speed.

After warm up, If unit does not idle after restarting 2 times, follow these steps to adjust idle.

1. Locate the idle adjustment screw (G) on the carburetor (Figure 15).
2. Using a Phillips or slotted screwdriver - turn screw 1/4 to 1/2 turn clockwise (to the right). Unit should then idle properly.

STOPPING THE ENGINE

Emergency Stopping Procedure. When it is necessary to stop blower engine immediately, DEPRESS the OFF "STOP" switch (A) until the engine stops completely (Figure 16).

Normal Stopping Method. For normal stopping, release trigger and allow engine to return to idle speed. Then DEPRESS the OFF "STOP" switch (A) until the engine stops completely. (Figure 16)

STARTING A WARM ENGINE (Engine has been stopped for no more than 15-20 minutes).

1. Set throttle latch (see step 2 for starting a cold engine), pull starter rope briskly.
2. If engine does not start, or starts and then stops after 5 rope pulls, follow procedure "STARTING A COLD ENGINE".

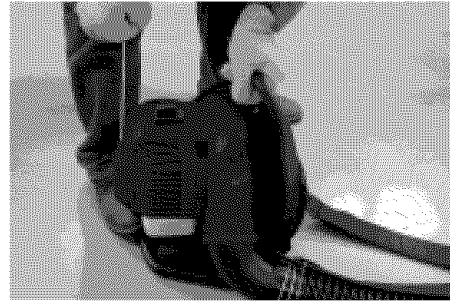


Fig. 12

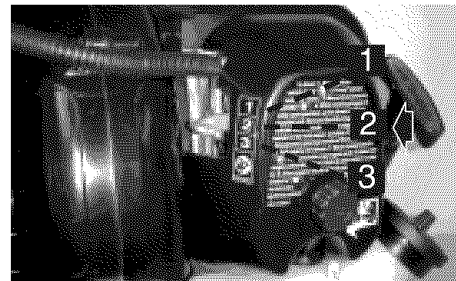


Fig. 13

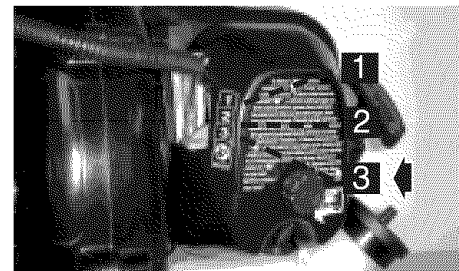


Fig. 14

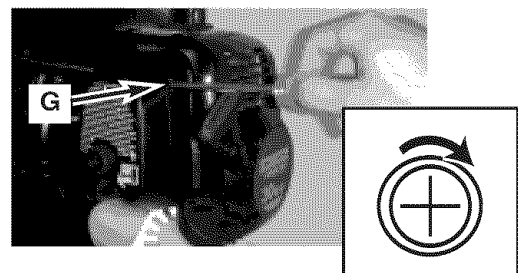


Fig. 15

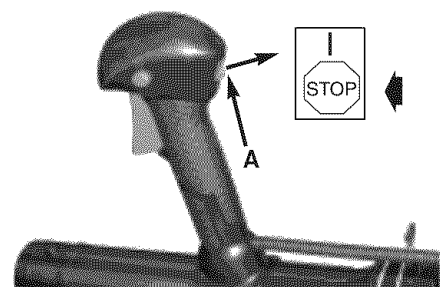



Fig. 16


OPERATING INSTRUCTIONS

BLOWER OPERATIONS

1. Use the blower for trees, shrubs, flower beds, and hard-to-clean areas.
2. Use the unit around buildings and for other normal cleaning procedures.
3. Use the blower around walls, overhangs, fences, and screens.

	WARNING: Because of flying debris, always wear American National Standards Institute approved shielded safety glasses or face shield when operating blower.
--	--

	WARNING: Before using your blower, review Safety Precautions in your User Manual, and all regulations for operation of the unit. These precautions and regulations are for your protection.
--	--

	CAUTION: DO NOT operate the blower with other people or animals in the immediate vicinity. Allow a minimum of 50 feet (15 meters) between operator and other people or animals.
--	--

4. We recommend that a face mask be worn when operating blower in dusty areas.
5. Stand away from the debris, at a distance that will easily allow you to control the direction of blown debris. Never blow debris in direction of bystanders.
6. To control velocity of airstream, blower can be operated at any speed between idle and full throttle. Experience with the unit will help you determine the amount of airflow necessary for each application.
7. Operate power equipment only at reasonable hours--not early in the morning or late at night when people might be disturbed. Comply with times listed in local ordinances.
8. To reduce sound levels, limit the number of pieces of equipment used at any one time.
9. Operate power blowers at the lowest possible throttle speed to do the job.
10. Check your equipment before operation, especially the muffler, air intakes and air filters.
11. Use rakes and brooms to loosen debris before blowing. In dusty conditions, slightly dampen surfaces when water is available.
12. Conserve water by using power blowers instead of hoses for many lawn and garden applications, including areas such as gutters, screens, patios, grills, porches and gardens.
13. Watch out for children, pets, open windows or freshly washed cars, and blow debris safely away.
14. Use intermediate tube plus nozzle of your choice so the airstream can work close to the ground.
15. After using blowers and other equipment, CLEAN UP! Dispose of debris in trash receptacles.

OPERATION INSTRUCTIONS

1. Follow the instructions "STARTING A COLD ENGINE".
2. Once unit is running, place unit on your back by slipping arms through the shoulder straps as if you were putting on a jacket (Figure 17).
3. When preparing to clear an area of debris, always position yourself so that you can control the direction debris will be blown .
4. The control handle (A, Fig. 16) and the flexibility of the blower tube assembly will allow you to clear the most hard-to-reach areas .
5. The hand grip, throttle trigger, throttle lock and ignition on/off switch (B) are all mounted on a swivel handle that offers a wide range of operating positions and comfort (Figure 19).



Fig. 17



Fig. 18



Fig. 19

MAINTENANCE AND REPAIR INSTRUCTIONS

MAINTENANCE SCHEDULE

Perform these required maintenance procedures at the frequency stated in the table. These procedures should also be a part of any seasonal tune-up.

NOTE: Maintenance, replacement, or repair of the emission control devices and system may only be performed by a Sears or other qualified service dealer.

NOTE: Maintenance, replacement, or repair of the emission control devices and system may be performed by a Sears or other qualified service dealer.



WARNING: To prevent serious injury, never perform maintenance or repairs with unit running. Always service and repair a cool unit. Disconnect the spark plug wire to ensure that the unit cannot start.

A good preventive maintenance program of regular inspection and care will increase life and improve performance of your chain saw. This maintenance checklist is a guide for such a program.

Cleaning, adjustment, and part replacement may be required, under certain conditions, at more frequent intervals than those indicated.

CUSTOMER RESPONSIBILITY

MAINTENANCE CHECKLIST		AFTER EACH USE	HOURS OF OPERATION	
			10	20
ITEM	BEFORE EACH USE			
CHECK FOR LOOSE SCREWS/ NUTS/BOLTS	✓			
CLEAN OR REPLACE THE FILTER		✓		
REPLACE FUEL FILTER			✓	
REPLACE SPARK PLUG			✓	
INSPECT SPARK ARRESTER SCREEN		✓		
INSPECT FUEL HOSES	✓			
INSPECT VACUUM TUBES	✓			

MAINTENANCE AND REPAIR INSTRUCTIONS

AIR FILTER

	CAUTION: NEVER operate blower without the air filter. The air filter must be kept clean. If it becomes damaged, install a new filter.
--	--

To Clean Air Filter:

1. Loosen knob (A) holding air filter cover in place, remove cover (B) and lift filter (C) from air box (Figure 20 & Figure 21).
2. Wash filter in soap and water. **DO NOT USE GASOLINE!**
3. Air dry filter.
4. Reinstall filter.

NOTE: Replace filter if frayed, torn, damaged or unable to be cleaned.

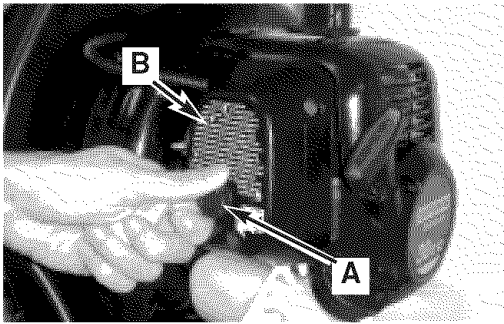


Fig. 20

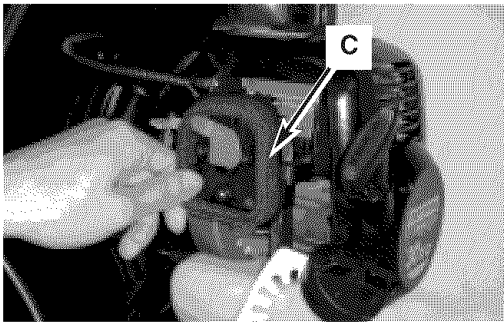



Fig. 21

FUEL CAP / FUEL FILTER

	CAUTION: Remove fuel from unit and store in approved container before starting this procedure. Open fuel cap slowly to release any pressure which may have formed in fuel tank.
--	--

NOTE: Keep vent (A) on fuel cap clean of debris (Figure 22).

Fuel Filter:

1. Completely remove fuel cap from fuel tank (B) to be able to remove fuel filter (C) from tank. Use a piece of wire (C) with a hook formed at the end to pull filter out of tank. (Figure 23)
2. Pull filter (D) off with a twisting motion. (Figure 24)
3. Replace fuel filter (D). (Figure 24)

NOTE: Never operate the blower without the fuel filter. Internal engine damage could result!

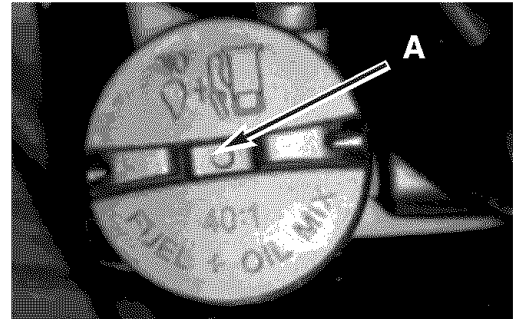


Fig. 22

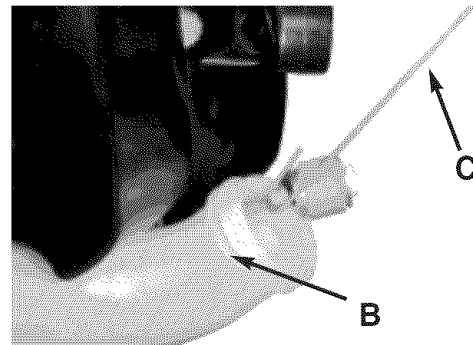


Fig. 23

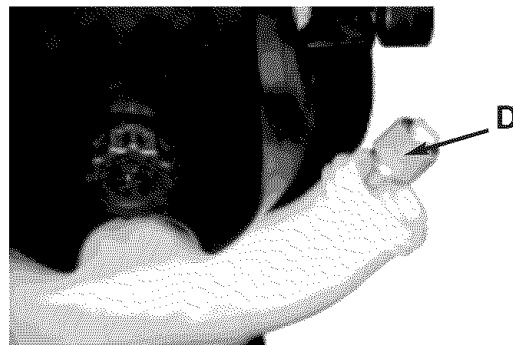


Fig. 24

IDLE ADJUSTMENT

The carburetor was pre-set at the factory for optimum performance. If further adjustments are necessary take your blower to a Sears or other qualified service dealer.

MAINTENANCE AND REPAIR INSTRUCTIONS

SPARK PLUG

1. To remove spark plug (B) (Fig. 26) for cleaning or replacement: make sure engine is off, spark plug is cool, then grasp spark plug boot firmly and remove from spark plug. Remove spark plug with correct spark plug tool. Inspect, clean or replace as needed.
2. Spark plug gap = .025" (.635mm) (Figure 25).
3. Torque to 105 to 130 inch pounds (12 to 15 N•m). Connect spark plug boot.
4. If need replace spark plug with Champion RZ7C or equivalent.

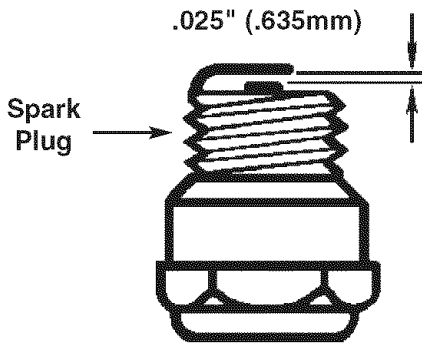


Fig. 25

SPARK ARRESTOR SCREEN/ COLLAR ASSEMBLY

1. To replace spark arrestor screen/collar assembly (A) (Figure 26), use a needle nose pliers and pinch an edge of the collar. Pull out the whole spark arrestor screen assembly.
2. Use the needle nose pliers to push in a new spark arrestor screen assembly by opening the pliers slightly to press the inner surface of the assembly securely into place

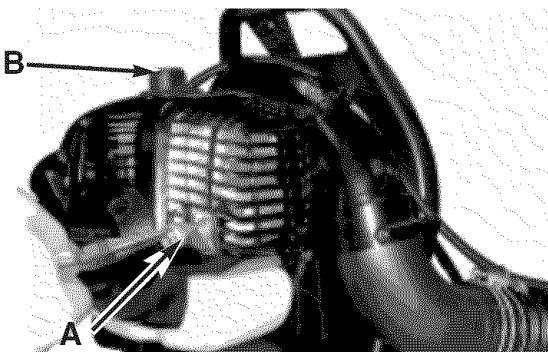


Fig. 26

STORAGE

Failure to follow these steps may cause varnish to form in the carburetor which can cause difficult starting or permanent damage following storage.

1. Perform all the general maintenance recommended in the Maintenance Section of your User Manual.
2. Clean exterior of engine and blower tubes.
3. Drain fuel from the fuel tank by running the unit dry or by removing the fuel cap and tipping the motor housing/fuel tank over and draining oil/fuel mixture into a container with the same 2-cycle fuel mixture.
4. After fuel is drained, start engine.
5. Run engine at idle until unit stops. This will purge the carburetor of fuel.
6. Allow engine to cool (approx. 5 minutes).
7. Using a spark plug wrench, remove the spark plug.
8. Pour 1 teaspoon of clean 2-cycle oil into the combustion chamber. Pull starter rope slowly several times to coat internal components. Replace spark plug.
9. Store unit in a cool, dry place away from any source of ignition such as an oil burner, water heater, etc.

REMOVING A UNIT FROM STORAGE

1. Remove spark plug.
2. Pull starter rope briskly to clear excess oil from combustion chamber.
3. Clean and gap spark plug or install a new spark plug with proper gap. (Fig. 24)
4. Prepare unit for operation.
5. Fill fuel tank with proper fuel / oil mixture. See Fuel and Lubrication Section.

TROUBLESHOOTING

UNIT WON'T START OR STARTS BUT WILL NOT RUN

CAUSE

1. Incorrect starting procedures
2. Incorrect carburetor mixture adjustment setting
3. Fouled spark plug
4. Empty fuel tank
5. Primer bulb was not pressed enough

ACTION

1. Follow instructions in the Starting/Stopping section
2. Have carburetor adjusted by a Sears or other qualified service dealer
3. Clean/gap or replace plug
4. Fill fuel tank with properly mixed fuel
5. Press primer bulb fully and slowly 10 times

UNIT STARTS, BUT ENGINE HAS LOW POWER

CAUSE

1. Fuel filter is plugged
2. Incorrect lever position
3. Dirty spark arrestor screen
4. Dirty air filter
5. Incorrect carburetor mixture adjustment setting service dealer

ACTION

1. Replace the fuel filter
2. Move to Position 3
3. Replace spark arrestor screen
4. Remove, clean and reinstall filter
5. Have carburetor adjusted by a Sears or other qualified

ENGINE HESITATES

CAUSE

1. Incorrect carburetor mixture adjustment setting
2. Air filter is plugged
3. Old or improperly mixed fuel

ACTION

1. Have carburetor adjusted by a Sears or other qualified service dealer
2. Replace or clean the air filter
3. Drain gas tank/add fresh fuel mixture

NO POWER UNDER LOAD

CAUSE

1. Incorrect carburetor mixture adjustment setting
2. Old or improperly mixed fuel
3. Air filter is plugged
4. Fouled spark plug

ACTION

1. Have carburetor adjusted by a Sears or other qualified service dealer
2. Drain gas tank (see Storage)/add fresh fuel mixture
3. Replace or clean the air filter
4. Replace or clean the spark plug

RUNS ERRATICALLY

CAUSE

1. Incorrectly gapped spark plug
2. Plugged spark arrestor
3. Dirty air filter

ACTION

1. Clean/gap or replace plug
2. Clean or replace spark arrestor
3. Clean or replace air filter

SMOKES EXCESSIVELY

CAUSE

1. Incorrect carburetor mixture adjustment setting
2. Incorrect fuel mixture

ACTION

1. Have carburetor adjusted by a Sears or other qualified service dealer
2. Use properly mixed fuel (40:1 mixture)

NOTE: For repairs beyond the minor adjustments listed above, contact your nearest Sears Parts & Repair center at (1-800-4-MY-HOME®) or other qualified service dealer for an adjustment.

SPECIFICATIONS

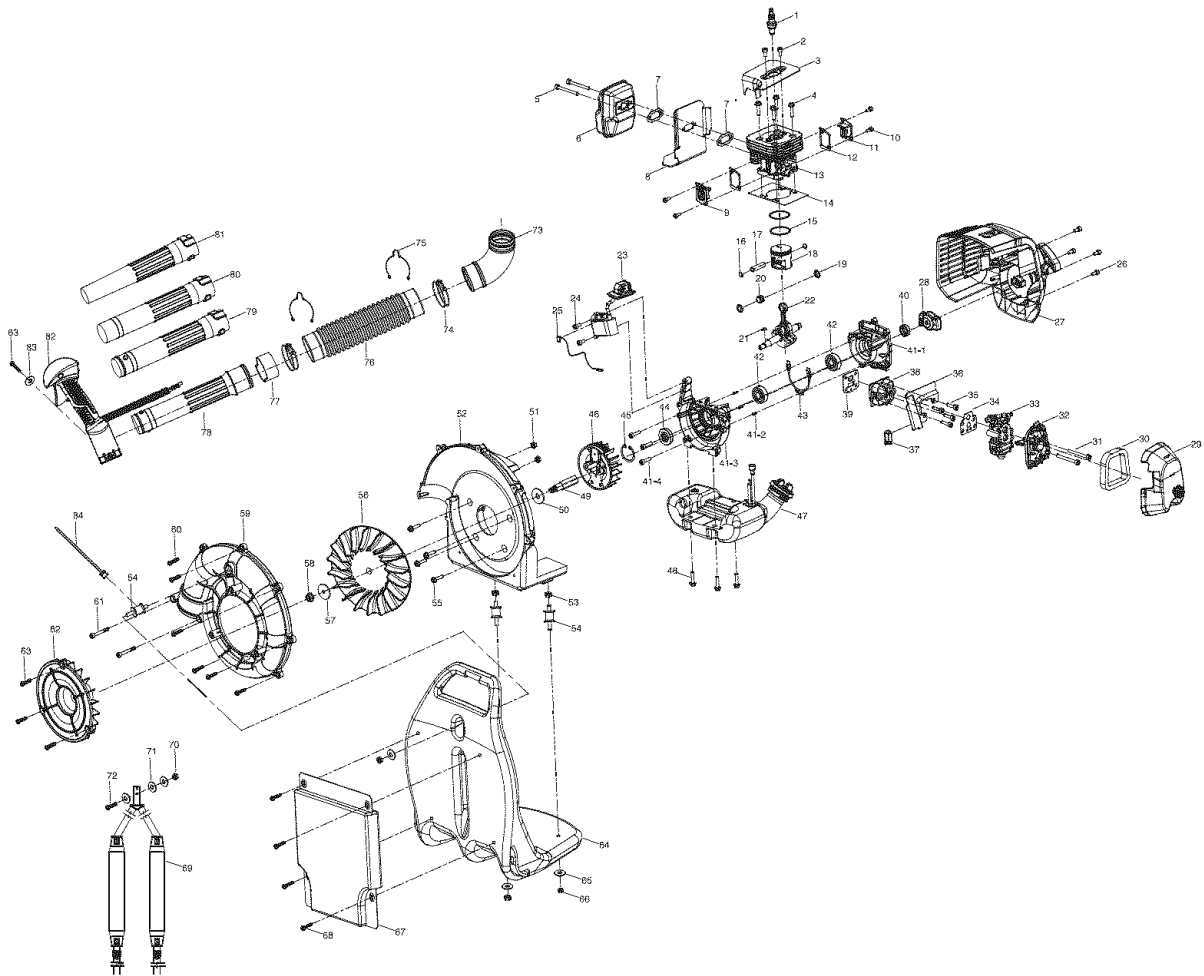
ENGINE*

Engine Type	Air-Cooled, 2-Cycle
Displacement.....	(30 cc) (1.83 cu in.)
Idle Speed RPM	3,400 - 4,400 rpm
Operating RPM	7,200+ rpm
Ignition Type	Electronic-MAX FIRE IGNITION™
Ignition Switch	Rocker Switch
Spark Plug Gap.....	0.025 in. (0.635 mm)
Lubrication	Fuel/Oil Mixture
Fuel/Oil Ratio.....	40:1
Carburetor	with primer
Starter	INCREDI-PULL™ Starting system
Muffler	Baffled with Guard
Fuel Tank Capacity.....	20 oz. (600 ml.)

BLOWER

Throttle Control	Finger-Tip Trigger
Blower Velocity	up to 170 mph
Blower Air Output	up to 485 cfm
Approximate Unit Weight (No fuel)	19.5 lb.
Use goggles and hearing protection	

PARTS LIST



No.	Parts No.	Description	No.	Parts No.	Description	No.	Parts No.	Description
1	9295-310801	SPARK PLUG	31	9SGEB-05-52	SCREW	57	9WFZ-8.4-32	WASHER
2	9SGEB-05-10	SCREW	32	9228-334520	FILTER ASS'Y	58	9NAC-08	NUT
3	9211-320601	PLATE, SPARK SIDE	33	9287-334501	CARBURETOR	59	9038-320602	SCREW HOUSING
4	9SRCB-05-22	SCREW	34	9014-334505	CARBURETOR GASKET	60	9SKKBY8/16-0.75	SCREW
5	9SXMBJ05-50	SCREW	35	9SKKB-05-19	SCREW	61	9SRCB-05-75	SCREW
6	9228-334503	MUFFLER ASS'Y	36	9211-334503	PLATE	62	9017-320601	COVER
7	9014-GP0102	MUFFLER GASKET	37	9012-334501	GROMMET	63	9SKKB05-18	SCREW
8	9211-334501	MUFFLER PLATE	38	9072-334501	INSULATOR	64	9004-320601	FRAME
9	9017-334501	COVER, FLYWHEEL SIDE	39	9014-334506	INSULATOR GASKET	65	9WFZ-06-18	WASHER
10	9SGEB-04-10	SCREW	40	9157-332101	SEAL	66	9NGZ-06	NUT
11	9017-334502	COVER, STARTER SIDE	41	9228-334501	CRANKCASE ASS'Y	67	9014-320601	CUSHION BACK
12	9014-334507	GASKET	41-1	9151-334502A	CRANKCASE, STARTER SIDE	68	9RGB7.14-16.27	RIVET RIBBED
13	9292-334501F	CYLINDER	41-2	9PA-03-08S	PIN	69	9149-320601	HARNES
14	9014-334501	GASKET	41-3	9151-334501A	CRANKCASE, FLYWHEEL SIDE	70	6NGZ-08	NUT
15	9189-334501	PISTON RING	41-4	9SGEB-05-20	SCREW	71	9WFZ-08-22	WASHER
16	9131-334501	CIRCLIP	42	9DB-620101	BEARING	72	9SDCB-08-16	SCREW
17	9115-334501	PISTON PIN	43	9014-334502	GASKET, CRANKCASE SIDE	73	9186-320601	ELBOW PIPE
18	9290-334501	PISTON	44	9157-334501	SEAL	74	9036-320601	HOSE BEND
19	9067-334501	AXIS COVER	45	9CB-32	C RING	75	9036-320602	WIRE CLAMP
20	9NR-KV9129.8	NEEDLE BEARING	46	9169-334501	FLYWHEEL	76	9186-320602	FLEX PIPE
21	6221-830301	KEY	47	9228-334506	FUEL TANK ASS'Y	77	9189-320601	ACTIVE RING
22	9228-334502	CRANK/ROD ASS'Y	48	9SKKBY05-18	SCREW	78	9186-320605	BASE PIPE
23	9288-320601-CH	IGNITION COIL	49	9127-320601	CONNECT AXIS	79	9186-320604	MIDDLE PIPE
24	9SGEB-05-20	SCREW	50	9WFZ-12.1-30	WASHER	80	9186-320606	END PIPE (56MM)
25	9010-332102	COIL WIRE	51	6NGZ-05	NUT	81	9186-320603	END PIPE (40MM)
26	9SGKB-05-12.5	SCREW	52	9038-320601	SCREW HOUSING	82	9228-320606	THROTTLE LEVER ASS'Y
27	9228-320602	STARTER HOUSING ASS'Y	53	6NDE-06	NUT	83	9WFB-4.5-13	WASHER
28	9228-MD0107	PAWLS ASS'Y	54	9012-320601	VIBRO-ISOLATING RUBBER	84	6032-150-02	LIGATE TAPE
29	9228-334522	FILTER ASS'Y	55	9SRCBM05-30	SCREW			
30	9183-334501	FILTER	56	9151-320601	IMPELLER			

California / EPA Emission Control Warranty Statement

Your Warranty Rights and Obligations

The California Air Resources Board, The Environmental Protection Agency and Sears, Roebuck and Co., are pleased to explain the emission control system warranty on your 2005 and later small off-road engine. In California and the 49 states, new small off-road engines must be designed, built and equipped to meet stringent anti-smog standards. Sears must warrant the emission control system on your small off-road engine for the periods of time listed below provided there has been no abuse, neglect or improper maintenance of your small off-road engine.

Your Emission control system may include parts such as the carburetor or fuel-injection system, the ignition system, and catalytic converter. Also included may be hoses, belts, connectors and other emission-related assemblies.

Where a warrantable condition exists, Sears will repair your small off-road engine at no cost to you including diagnosis, parts and labor.

The 2005 and later small off-road engines are warranted for two years. If any emission-related part on your engine is defective, the part will be repaired or replaced by Sears.

Owner's Warranty Responsibilities

- As the small off-road engine owner, you are responsible for the performance of the required maintenance listed in your operator's manual. Sears recommends that you retain all receipts covering maintenance on your small off-road engine, but Sears cannot deny warranty solely for the lack of receipts or for your failure to ensure the performance of all scheduled maintenance.
- As the small off-road engine owner, you should however be aware that Sears may deny you warranty coverage if your small off-road engine or a part has failed due to abuse, neglect, improper maintenance or unapproved modifications.
- You are responsible for presenting your small off-road engine to a Sears authorized service center as soon as problem exists. The warranty repairs should be completed in a reasonable amount of time, not to exceed 30 days.

If you have any questions regarding your warranty rights and responsibilities, you should call 1-800-4-MY-HOME®.

Manufacturer's Warranty Coverage

- The warranty period begins on the date the engine or equipment is delivered to the retail purchaser.
- The manufacturer warrants to the initial owner and each subsequent purchaser, that the engine is free from defects in material and workmanship which cause the failure of a warranted part for a period of two years.
- Repair and replacement of warranted part will be performed at no charge to the owner at an authorized Sears service center. For the nearest location please contact Sears at: 1-800-4-MY-HOME®.
- Any warranted part which is not scheduled for replacement, as required maintenance or which is scheduled only for regular inspection to the effect of "Repair or Replace as Necessary" is warranted for the period. Any warranted part which is scheduled for replacement as required maintenance will be warranted for the period of time up to the first scheduled replacement point for that part.
- The owner will not be charged for diagnostic labor which leads to the determination that a warranted part is defective if the diagnostic work is performed at an authorized Sears Service Center.
- The manufacturer is liable for damages to other engine components caused by the failure of a warranted part still under warranty.
- Failures caused by abuse, neglect or improper maintenance are not covered under warranty.
- The use of add-on or modified parts can be grounds for disallowing a warranty claim. The manufacturer is not liable to cover failures of warranted parts caused by the use of add-on or modified parts.
- In order to file a claim, go to your nearest authorized Sears Service Center. Warranty service or repairs will be provided at all authorized Sears Service Centers.
- Any manufacturer approved replacement part may be used in the performance of any warranty maintenance or repair of emission related parts and will be provided without charge to the owner. Any replacement part that is equivalent in performance or durability may be used in non-warranty maintenance or repair and will not reduce the warranty obligations of the manufacturer.
- The following components are included in the emission related warranty: engine, air filter, carburetor, primer, fuel lines, fuel pick up/fuel filter, ignition module, spark plug and muffler.

Repair Protection Agreements

Congratulations on making a smart purchase. Your new Craftsman® product is designed and manufactured for years of dependable operation. But like all products, it may require repair from time to time. That's when having a Repair Protection Agreement can save you money and aggravation.

Purchase a Repair Protection Agreement now and protect yourself from unexpected hassle and expense.

Here's what's included in the Agreement:

- ☑ **Expert service** by our 12,000 professional repair specialists
- ☑ **Unlimited service and no charge** for parts and labor on all covered repairs
- ☑ **Product replacement** if your covered product can't be fixed
- ☑ **Discount of 10%** from regular price of service and service-related parts not covered by the agreement; also, 10% off regular price of preventive maintenance check
- ☑ **Fast help by phone** - phone support from a Sears technician on products requiring in-home repair, plus convenient repair scheduling

Once you purchase the Agreement, a simple phone call is all that it takes for you to schedule service. You can call anytime day or night, or schedule a service appointment online.

Sears has over 12,000 professional repair specialists, who have access to over 4.5 million quality parts and accessories. That's the kind of professionalism you can count on to help prolong the life of your new purchase for years to come. Purchase your Repair Protection Agreement today!

Some limitations and exclusions apply.
For prices and additional information call
1-800-827-6655.

Sears Installation Service

For Sears professional installation of home appliances, garage door openers, water heaters, and other major home items, in the U.S.A. call **1-800-4-MY-HOME®**

Get it fixed, at your home or ours!

Your Home

For repair - **in your home** - of **all** major brand appliances, lawn and garden equipment, or heating and cooling systems, **no matter who made it, no matter who sold it!**

For the replacement parts, accessories and owner's manuals that you need to do-it-yourself.

For Sears professional installation of home appliances and items like garage door openers and water heaters.

1-800-4-MY-HOME® (1-800-469-4663)

Call anytime, day or night (U.S.A. and Canada)

www.sears.com www.sears.ca

Our Home

For repair of carry-in items like vacuums, lawn equipment, and electronics, call or go on-line for the location of your nearest **Sears Parts & Repair Center.**

1-800-488-1222

Call anytime, day or night (U.S.A. only)

www.sears.com

To purchase a protection agreement (U.S.A.) or maintenance agreement (Canada) on a product serviced by Sears:

1-800-827-6655 (U.S.A.)

1-800-361-6665 (Canada)

Para pedir servicio de reparación a domicilio, y para ordenar piezas:

1-888-SU-HOGARSM

(1-888-784-6427)

Au Canada pour service en français:

1-800-LE-FOYER^{MC}

(1-800-533-6937)

www.sears.ca



® Registered Trademark / ™ Trademark / ™ Service Mark of Sears, Roebuck and Co.

® Marca Registrada / ™ Marca de Fábrica / ™ Marca de Servicio de Sears, Roebuck and Co.

^{MC} Marque de commerce / ^{MD} Marque déposée de Sears, Roebuck and Co.

© Sears, Roebuck and Co.

Manual del usuario



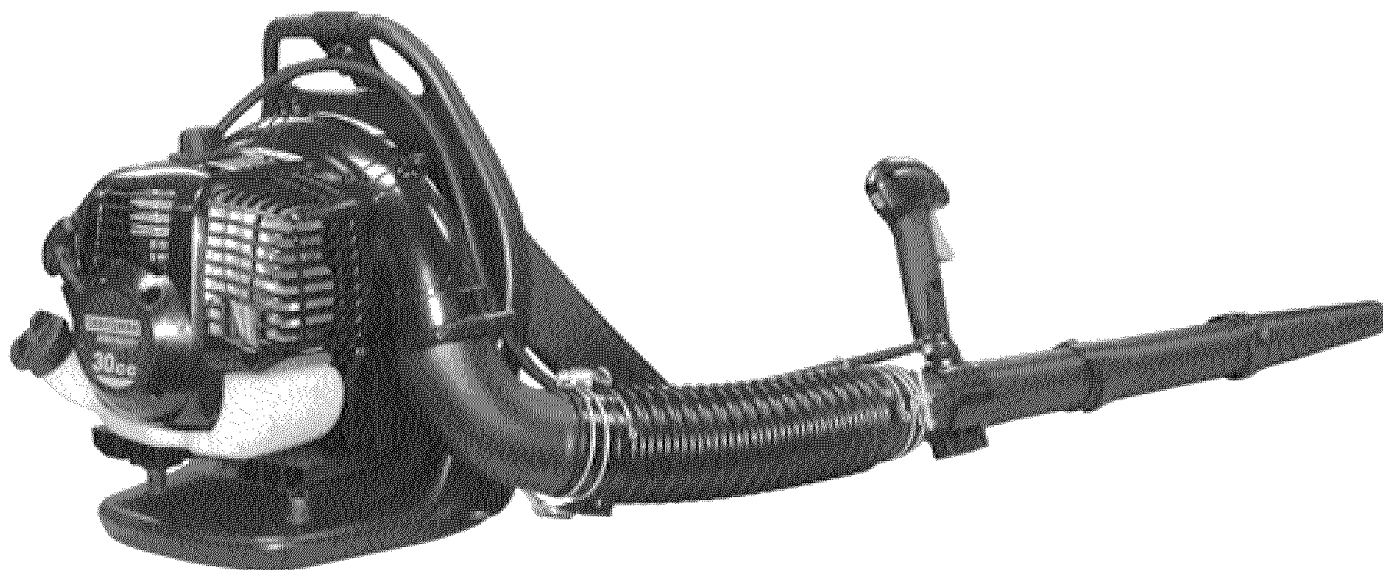
2 Tiempos

SOPLADOR A GASOLINA DE MOCHILA

Modelo N. 316.794990

INCREDI-PULL™
UNBELIEVABLE STARTING EASE™

Con **MAXFIRE**  **IGNITION**™



PRECAUCIÓN: Antes de utilizar este producto, lea este manual y siga todas las reglas de seguridad e instrucciones de funcionamiento.

- SEGURIDAD
- ENSAMBLAJE
- FUNCIONAMIENTO
- MANTENIMIENTO
- LISTA DE COMPONENTES

Sears, Roebuck and Co., Hoffman Estates, IL 60179, U.S.A.
Visite nuestra página web: www.sears.com/craftsman

ÍNDICE

Garantía	Página 22	Funcionamiento	Página 32
Reglas de seguridad	Páginas 23-27	Mantenimiento	Página 33 - 35
Información sobre Aceite y Combustible	Página 28	Resolución de Problemas	Página 36
Ensamblaje	Página 29	Reparación de componentes	Página 38
Instrucciones de Arranque/Parada	Páginas 30-31		

DECLARACIÓN DE GARANTÍA

DOS AÑOS DE GARANTÍA LIMITADA SOBRE EL SOPLADOR DE MOCHILA A GASOLINA CRAFTSMAN

Durante dos años desde la fecha de compra, siempre que se utilice y mantenga este Soplador según el manual del usuario, Sears reparará cualquier defecto de materiales o mano de obra sin ningún cargo.

Esta garantía excluye la bujía y el filtro de aire, ya que son componentes que pueden gastarse por el uso en menos de dos años.



Si esta Soplador se utiliza con propósitos comerciales o de alquiler, esta garantía será aplicable solamente durante los 30 primeros días después de la fecha de compra.

EL SERVICIO DE GARANTÍA ESTARÁ DISPONIBLE DEVOLVIENDO EL SOPLADOR A LA TIENDA SEARS MÁS CERCANA O AL CENTRO DE REPARACIÓN DE SEARSE DE LOS ESTADOS UNIDOS.

Esta garantía le ofrece derechos legales específicos, aunque podrá tener otros derechos que variarán según su estado.

Sears, Roebuck and Co., Dept. 817WA, Hoffman Estates, IL 60179

ADVERTENCIA DE LA PROPOSICIÓN 65 DEL ESTADO DE CALIFORNIA

**ADVERTENCIA**

EL TUBO DE ESCAPE DE ESTE PRODUCTO CONTIENE COMPONENTES QUÍMICOS CONSIDERADOS POR EL ESTADO DE CALIFORNIA COMO PERJUDICIALES, POR PRODUCIR CÁNCER, DEFECTOS EN EL NACIMIENTO U OTROS PERJUICIOS REPRODUCTIVOS.

NOTA SOBRE EL ASPIRADOR DE CHISPAS

NOTA: Para usuarios de la Zona Forestal de los EE.UU. y en los estados de California, Maine, Oregon y Washington. Todas las Zonas Forestales de los EE.UU. y el estado de California (Códigos de Recursos Públicos 4442 y 4443), requieren, según la ley, que ciertos motores de combustión interna que operen en el bosque o en zonas cubiertas de hierba, se encuentren equipados y sean operados y mantenidos para prevenir los incendios. Compruebe la normativa de su estado si debe cumplir estos requisitos. Si no sigue estos requisitos podría verse sometido a una multa. **Esta unidad se encuentra equipada de fábrica con un aspirador de chispas.** Si debe ser reemplazado, consulte con Sears u otro proveedor de servicio autorizado para que le instale un **Kit Aspirador de Chispas.**

REGLAS DE FUNCIONAMIENTO SEGURO

El propósito de los símbolos de seguridad es atraer su atención sobre posibles peligros. Los símbolos de seguridad y su explicación merecen su atención y comprensión. Las advertencias de seguridad no eliminan el peligro por sí mismas. Las instrucciones o advertencias que ofrecen no son sustitutas de ninguna medida de prevención de accidentes.

SÍMBOLO	SIGNIFICADO
---------	-------------

	<p>ALERTA DE SEGURIDAD: Indica peligro, advertencia o precaución. Se requiere atención para evitar daños personales. Puede utilizarse con otros símbolos o pictogramas.</p>
--	--

NOTA: Le avisa de información o instrucciones vitales para el funcionamiento del equipo.

Lea el Manual del Usuario y siga todas las advertencias e instrucciones de seguridad.

Si no lo hace pueden producirse daños en el operador y los que le rodean.

• INSTRUCCIONES IMPORTANTES DE SEGURIDAD •


LEA TODAS LAS INSTRUCCIONES DE ANTEMANO


- Lea las instrucciones detenidamente. Familiarícese con los controles y el uso adecuado de la unidad.


	<p>ADVERTENCIA: Al utilizar la unidad, debe seguir las normas de seguridad. Lea estas instrucciones antes de manipular la unidad para asegurar la seguridad del operador y de aquellos que lo rodean. Conserve estas instrucciones para uso futuro.</p>
--	--

- No opere esta unidad si está cansado, enfermo o bajo la influencia del alcohol, drogas o medicamentos.
- Los niños no debe operar la unidad. Los adolescentes deben encontrarse acompañados por un adulto.
- Todos los dispositivos de seguridad deben encontrarse instalados y en buen estado de funcionamiento antes de manipular la unidad.
- Inspeccione la unidad antes de utilizarla. Reemplace todos los componentes dañados antes de comenzar a usarla. Asegúrese de que la unidad funciona correctamente antes de arrancarla. Reemplace los componentes que estén rotos o dañados de cualquier forma. No manipule la unidad se tiene componentes sueltos o dañados.
- Inspeccione la zona detenidamente antes de arrancar la unidad. Retire cualquier deshecho u objetos duros o blandos como puedan ser cristales, cables, etc.
- Mantenga alejados de la zona a niños, personas o mascotas. Como mínimo, mantenga a todos los niños y mascotas a una distancia de 50 pies (15 m.); aún así puede existir riesgo para los observadores causados por objetos lanzados por la máquina. Se recomienda a los observadores que utilicen gafas protectoras. Si alguien se le aproxima, detenga la unidad inmediatamente.


SÍMBOLO	SIGNIFICADO
---------	-------------

	<p>PELIGRO: Si no se obedece una advertencia pueden producirse daños personales a usted o a terceros. Siga siempre las precauciones de seguridad para reducir el riesgo de incendio o daños personales.</p>
---	--

	<p>ADVERTENCIA: Si no se obedece una advertencia pueden producirse daños en usted o en otros. Siga siempre las instrucciones de seguridad para reducir el riesgo de incendio y daños personales.</p>
---	---

	<p>PRECAUCIÓN: Si no obedece un aviso puede resultar dañada su propiedad o usted mismo. Siga siempre las precauciones para reducir el riesgo de incendio y daños personales.</p>
---	---

ADVERTENCIA SOBRE SEGURIDAD DE COMBUSTIBLE

	<p>ADVERTENCIA: La gasolina es altamente inflamable, y sus vapores pueden explotar si entran en combustión. Tome las siguientes precauciones:</p>
---	--

- Almacene el combustible sólo en contenedores diseñados específicamente y aprobados para el almacenamiento de tal material.
- Evite la creación de una fuente de ignición sobre el combustible derramado. No arranque el motor hasta que se disipen los vapores de combustible.
- Detenga siempre el motor y deje que se enfríe antes de rellenar el tanque. No retire la tapa del tanque de combustible, ni añada combustible cuando el motor esté caliente. Nunca opere la unidad sin la tapa de combustible. Afloje lentamente la tapa del combustible para liberar cualquier presión en el tanque.
- Añada combustible en una zona exterior limpia y bien ventilada en la que no existan chispas ni llamas. Retire lentamente la tapa del combustible después de detener el motor. No fume mientras rellena el tanque de combustible. Limpie cualquier salpicadura de la unidad inmediatamente.
- Mueva la unidad a al menos 30 pies (9,1 m.) de la fuente de combustible antes de arrancar el motor. No fume. Mantenga chispas y llamas alejadas de la zona en la que añada combustible o manipula la unidad.

REGLAS DE FUNCIONAMIENTO SEGURO

EN FUNCIONAMIENTO

- Nunca arranque ni utilice la unidad en el interior de una habitación o edificio cerrado. Respirar los vapores del tubo de escape pueden causar la muerte. Opere la unidad únicamente en una zona exterior bien ventilada.
- Utilice gafas de seguridad certificadas por la norma ANSI Z87.1 y etiquetadas como tales. Utilice protección para los ojos y oídos al operar la unidad.
- No opere la unidad con el equipo adecuado. Al utilizar esta unidad, instale siempre los tubos de soplado según la aplicación de soplado.
- Para reducir el riesgo de pérdida de audición asociada con los niveles de sonido, utilice siempre protección para los ojos y oídos al utilizar la unidad.
- Utilice pantalones largos y gruesos, botas, guantes y camisa de manga larga. No utilice ropa suelta, joyería, pantalones cortos, sandalias ni ande descalzo. Recoja su pelo sobre los hombros.
- Para evitar descargas por electricidad estática, no utilice guantes de goma o aislados mientras manipula la unidad.
- Utilice la unidad a la luz del día o con una buena iluminación artificial.
- Mantenga las superficies limpias de aceite y combustible.
- Evite los arranques accidentales. Colóquese en posición de arranque al tirar de la cuerda de arranque. El operador y la unidad deben encontrarse en una posición estable al arrancar. Consulte la sección Instrucciones de Arranque/Parada.
- No coloque la unidad en una superficie que no se encuentre limpia, y sea rígida mientras el motor esté en marcha. Podrían penetrar residuos como gravilla, arena, polvo, hierba etc. En el filtro de aire, dañando la unidad o causando serios daños a los observadores o al operador.
- Utilice la herramienta adecuada. Utilice sólo esta herramienta para el propósito adecuado.
- No fuerce la unidad. Trabaja mejor y con menos posibilidad de daño a la velocidad para la que ha sido diseñada.
- No utilice la unidad sobre superficies inestables, como escaleras, árboles, pendientes inclinados, tejados, etc. Mantenga siempre los pies sobre superficies estables.
- Sostenga bien la unidad mientras la esté utilizando.
- Mantenga las manos, la cara y los pies alejados de las partes móviles. No toque ni intente para el motor cuando se encuentre en rotación. No opere la unidad con las protecciones en su lugar.
- No coloque ningún objeto en las aberturas. No lo utilice si algún objeto bloquea una abertura; mantenga la unidad suciedad, restos y libre de cualquier objeto que pueda reducir el flujo de aire.
- No toque el motor o el silenciador. Estos componentes pueden encontrarse extremadamente calientes después del funcionamiento, incluso después de que la unidad se haya apagado.
- No opere el motor más rápido de la velocidad necesaria para hacer el trabajo. No haga funcionar el motor a alta velocidad si no se encuentra en uso.
- Detenga siempre el motor cuando vaya a demorar la operación o cuando se encuentre andando de un lugar a otro.
- Detenga el motor para cualquier operación de mantenimiento, reparación, instalación, o para retirar los tubos del soplador. La unidad debe detenerse para evitar el contacto con las cuchillas rotatorias.
- Si golpea o entra en contacto con un objeto extraño, detenga el motor inmediatamente e inspeccione la unidad en busca de cualquier daño. No opere la unidad antes de reparar los daños. No opere la unidad si existen componentes sueltos o dañados.
- Utilice sólo componentes de reemplazo originales al reparar esta unidad. Estos componentes se encuentran disponibles en su distribuidor de servicio autorizado. No utilice componentes o accesorios no autorizados para esta unidad. Si lo hace podría provocar serios daños en el usuario, o dañar la unidad, y violar así su garantía.
- Nunca utilice esta unidad para esparcir productos químicos, fertilizantes u otras sustancias que puedan contener materiales tóxicos.
- Para reducir el riesgo de incendio, reemplace el silenciador defectuoso y el aspirador de chispas. Mantenga el motor y el silenciador limpios de hierba, hojas, grasa en exceso o depósitos de carbono.
- Apague la unidad y desconecte la bujía para mantener y reparar la unidad.
- Nunca apunte con el soplador hacia la gente, animales o en la dirección de las ventanas. Dirija siempre los desechos lejos de la gente, animales y ventanas. Tenga especial cuidado al soplar desechos cerca de objetos sólidos, como árboles, automóviles, paredes, etc.

REGLAS DE FUNCIONAMIENTO SEGURO

OTRAS PRECAUCIONES DE SEGURIDAD

- Desconecte siempre la bujía antes de llevar a cabo el mantenimiento o acceder a componentes móviles.
- No guarde la unidad, con combustible en el tanque, en el interior de un edificio donde los vapores puedan alcanzar una llama (lámparas pilotos, etc.) o chispa (interruptores, motores eléctricos, etc.).
- Deje que el motor se enfríe antes de guardar o transportar. Asegúrese de que la unidad esté firme al transportarse.
- Guarde la unidad en un lugar seco, cerrado y alto para evitar el uso no autorizado o daño. Mantenga fuera del alcance de los niños.
- No deje penetrar el agua ni cualquier otro líquido en la unidad. Mantenga sus manos secas, limpias y sin impurezas. Límpielas después de cualquier uso, véa las instrucciones de Limpieza y almacenamiento.
- Conserve estas instrucciones. Consúltelas a menudo y utilícelas para instruir otros usuarios. Si presta la unidad a otra persona, préstele también estas instrucciones.

NOTA ESPECIAL: La exposición a vibraciones durante periodos largos de tiempo de uso de aparatos de combustión de gasolina puede causar daños nerviosos en los dedos, manos y articulaciones de gente propensa a problemas circulatorios y tensión anormal. El uso prolongado en clima frío ha sido relacionado con problemas sanguíneos en gente aparentemente saludable. Si se dan síntomas como dolor, pérdida de fuerza, cambio en el color de la piel o textura, o pérdida de sensibilidad en los dedos, manos o articulaciones, detenga el uso de esta herramienta y busque atención médica. Un sistema antivibración no garantiza la inexistencia de estos problemas. Los usuarios que utilicen herramientas potentes regularmente deben vigilar a menudo sus condiciones físicas y la condición de la herramienta.

CONSERVE ESTAS INSTRUCCIONES

REGLAS DE FUNCIONAMIENTO SEGURO

SEGURIDAD Y SÍMBOLOS INTERNACIONALES

Este manual del usuario describe los símbolos de seguridad internacionales que pueden aparecer en este producto. Lea el manual del usuario para obtener información sobre seguridad, ensamblaje, funcionamiento y mantenimiento.

SÍMBOLO

SINGIFICADO



- **SÍMBOLO ALERTA DE SEGURIDAD**

Indica peligro, advertencia o precaución. Puede utilizarse en conjunto con otros símbolos o pictogramas.



- **LEA EL MANUAL DEL USUARIO**

ADVERTENCIA:

Lea el Manual del Usuario y siga las advertencias e instrucciones. Si no lo hace puede provocar serios daños al operador o los que lo rodean.



- **UTILICE PROTECCIÓN PARA OJOS, OÍDOS Y CABEZA**

ADVERTENCIA:

Los objetos lanzados y los ruidos potentes pueden dañar los ojos y el oído. Utilice protección ocular según la norma ANSI Z87.1-1989 y protección auditiva al utilizar esta unidad. Utilice casco. Utilice una máscara si es necesario



- **DISTANCIA MÍNIMA OPERATIVA**

ADVERTENCIA:

Mantenga a niños, observadores y animales a 50 pies (15 m.). Si se aproxima alguien, detenga la unidad inmediatamente.



- **GASOLINA SIN PLOMO**

Utilice siempre gasolina limpia, fresca y sin plomo.



- **ACEITE**

Consulte el manual del operador para conocer el tipo correcto de aceite.

SÍMBOLO

SINGIFICADO



- **CONTROL ENCENDIDO/APAGADO**
ENCENDIDO/INICIO/MARCHA



- **CONTROL ENCENDIDO/APAGADO**
APAGADO O DETENIDO



- **POSICIONES DEL ESTRANGULADOR**

1 • Estrangulamiento **TOTAL**



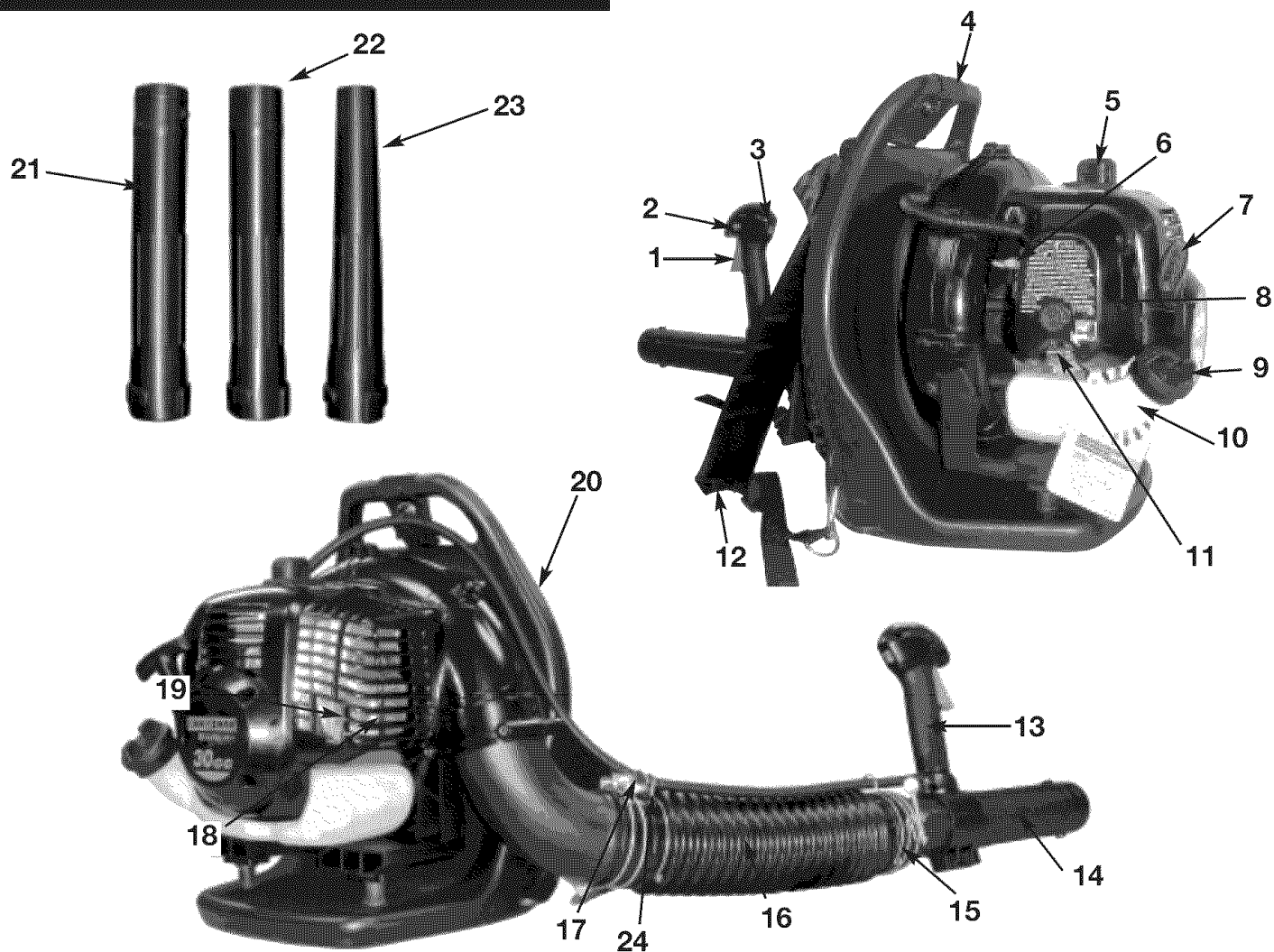
2 • Estrangulamiento **PARCIAL**



3 • Posición en **MARCHA**

REGLAS DE FUNCIONAMIENTO SEGURO

CONOZCA SU SIERRA



COMPONENTES DEL SOPLADOR

1. GATILLO DE ACELERADOR
2. BLOQUEO DE ACELERADOR
3. CONMUTADOR DE ARRANQUE/PARADA
4. ASA DE AYUDA SUPERIOR
5. CABLE DE BUJÍA / BUJÍA
6. PALANCA DE ESTRANGULADOR
7. ASA DE STARTER
8. CUBIERTA DEL FILTRO DE AIRE
9. TAPA DE COMBUSTIBLE
10. TANQUE DE COMBUSTIBLE
11. LÁMPARA DE ARRANQUE
12. HARNESS
13. MANIJA DE CONTROL
14. TUBO OPERATIVO
15. ABRAZADERA DE MANGUERA
16. TUBO FLEXIBLE
17. ENLACE DE ACELERADOR
18. CUBIERTA DE SILENCIADOR
19. PANTALLA DE ASPIRADOR DE CHISPAS
20. PANEL POSTERIOR VENTILADO
21. TUBO INTERMEDIO
22. NOZZLE DE 56 mm.
23. NOZZLE CONCENTRADOR DE 45 mm.
24. CLIPS DE ENLACE DE ACELERADOR

INFORMACIÓN SOBRE ACEITE Y COMBUSTIBLE

MEZCLA DE GASOLINA Y ENGRASE

La gasolina vieja y/o mal mezclada son las principales razones de que la unidad no funciona correctamente. Asegúrese de utilizar gasolina fresca (menos de 60 días) sin plomo. Siga las instrucciones para administrar la gasolina y el aceite correctamente.

Definición de combustibles mezclados

Los combustibles de hoy en día son una mezcla de gasolina y oxigenados como etanol metanol o MTBE (éter). La gasolina mezclada con alcohol absorbe agua. Tan solo un 1% de agua puede separar el combustible del aceite y provocar la formación de ácidos durante el almacenamiento. Al utilizar combustible mezclado con alcohol, utilice combustible fresco.

Uso de Combustibles Mezclados


Si escoge utilizar un combustible mezclado, o no puede utilizar otro, tenga en cuenta estas precauciones:

- Utilice siempre la mezcla de combustible explicada en su manual del usuario
- Mezcle bien el combustible antes de rellenar el tanque
- Drene el tanque y seque el motor antes de guardar la unidad

Uso de Aditivos

La botella de aceite de 2 tiempos que viene con su unidad contiene un aditivo de combustible que permitirá inhibir la corrosión y minimizará la formación de depósitos. Se recomienda que utilice nuestro aceite de 2 tiempos en esta unidad.



Si no es posible, utilice un buen aceite de 2 tiempos para motores refrigerados por aire con un aditivo de combustible, como el estabilizador STA-BIL(r) Gas Stabilizer o un equivalente. Añada 0,8 oz. (23 ml.) de combustible por galón de combustible según las instrucciones del contenedor. NUNCA añada aditivos de combustible directamente en el tanque de combustible de la unidad.

	<p>PRECAUCIÓN: Para un funcionamiento óptimo del motor y una máxima fiabilidad, ponga atención a las instrucciones de mezcla de gasolina y aceite en el contenedor de 2 tiempos. Si utiliza combustible mal mezclado, podría dañar el motor.</p>
--	---

Para conseguir la Mezcla Correcta de Combustible:


Mezcle la proporción adecuada de aceite para motor de 2 tiempos con gasolina sin plomo en un recipiente separado. Utilice una proporción de gasolina/aceite de 40:1. No las mezcle directamente en el tanque de gasolina. Consulte la siguiente tabla para conocer las proporciones de mezcla específicas.

NOTA: Un galón (3,8 litros) de gasolina sin plomo mezclado con una botella de aceite de dos ciclos de 3,2 oz. (95 ml.) crea una proporción de mezcla combustible/aceite de 40:1.

	+	
GASOLINA SIN PLOMO		ACEITE DE 2 TIEMPOS
1 GALÓN US (3,8Litros)		3,2 OZ. FL. (95 ml)
1 Litro		25 ml.

RELACIÓN DE MEZCLA - 40:1

	<p>ADVERTENCIA: La gasolina es muy inflamable. Los vapores emitidos pueden explotar. Detenga siempre el motor y deje que se enfríe antes de rellenar el tanque. No fume mientras rellena el tanque. Evite las chispas y las llamas.</p>
---	--

	<p>ADVERTENCIA: Quite la tapa del tanque con cuidado. No opere la unidad sin la tapa del tanque colocada correctamente.</p>
---	--

	<p>ADVERTENCIA: Añada combustible en una zona exterior limpia y bien ventilada. Limpie cualquier salpicadura inmediatamente. Evite crear una fuente de ignición con el combustible salpicado. No arranque el motor hasta que se disipen los vapores de combustible.</p>
---	--

NOTA: Deshágase el combustible/aceite según la normativa Federal, Estatal y Local.

INSTRUCCIONES DE ENSAMBLAJE

CONEXIÓN DEL TUBO FLEXIBLE

Coloque la abrazadera de manguera (C) en el tubo flexible antes de conectar el tubo flexible y el tubo de salida de ventilación.

Conecte el tubo flexible (B) en el tubo de salida de ventilación (A) (Fig. 1) con la abrazadera (C) (Fig. 2) y apriételo con seguridad (Fig. 2)

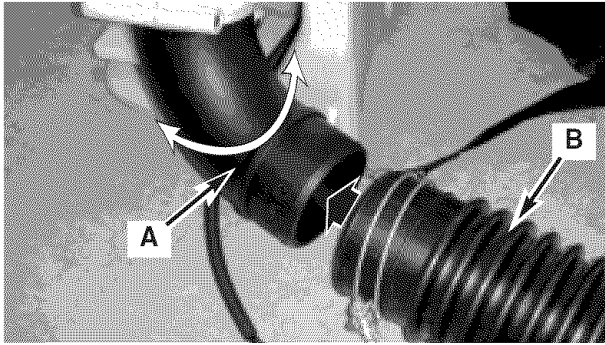


Fig. 1

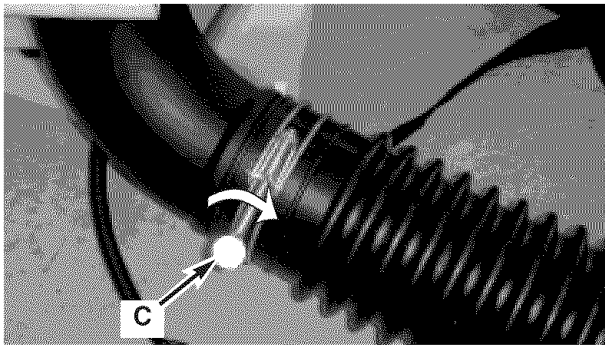


Fig. 2

CONEXIÓN DE TUBO OPERATIVO

NOTA: Mantenga en cable de aceleración lo más recto posible al conectar los tubos de soplador.

1. Coloque la unidad en una superficie plana durante el ensamblaje. Asegure que el tornillo de la abrazadera mira en dirección contraria al operador.
2. Coloque la abrazadera de la manguera (C) en el tubo flexible y el tubo operativo.
3. Gire la marca de anillo rotatoria (D) para alinearla con la manija de aceleración (F). Inserte el tubo operativo (E) en el tubo flexible (B) (Fig. 3) y asegure después la abrazadera de manguera (G) (Fig. 4).
4. Conecte los clips de enlace de acelerador (# 24 - Conozca su soplador) - a ambos extremos del tubo flexible para asegurar el cable de acelerador. (Consulte la Fig. 5 y Fig. 6)

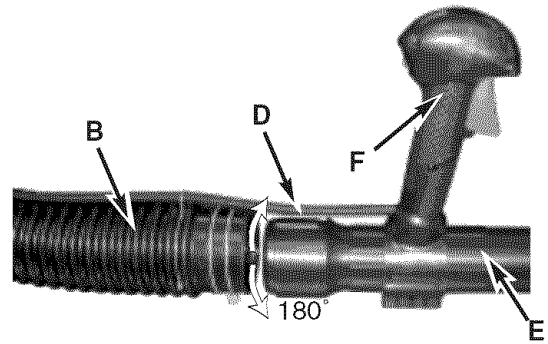


Fig. 3

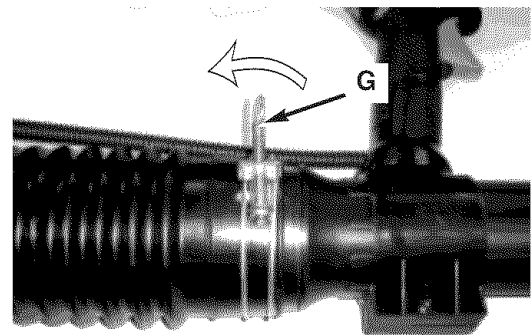


Fig. 4

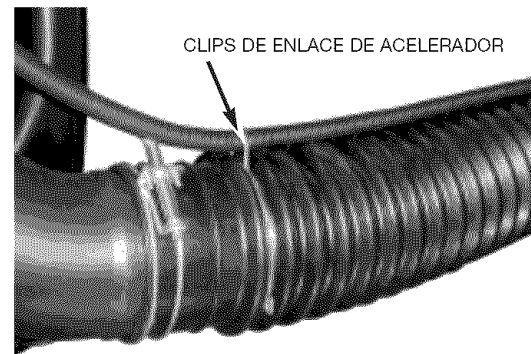


Fig. 5

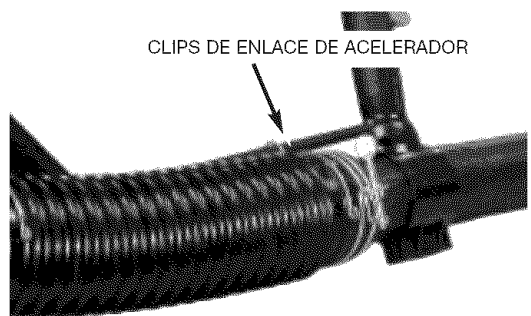


Fig. 6

INSTRUCCIONES DE ENSAMBLAJE

CONECTE EL TUBO INTERMEDIO Y EL INYECTOR CONCENTRADOR

Conecte el tubo intermedio (H) y el inyector de aire (I). Presione para conectar los tubos y gírelos en el sentido de las agujas del reloj para bloquearlos en su lugar. (Fig. 7)

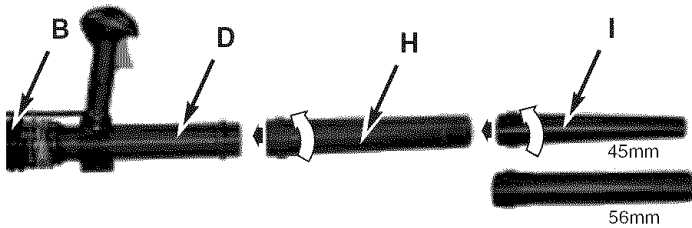


Fig. 7

AJUSTE DEL ARNÉS DE MOCHILA Y MANIJA DE CONTROL

1. Colóquese el soplador en la espalda deslizando los brazos a través de las correas como si estuviera poniendo una chaqueta (Figura 8).
2. Una vez que se hayan hecho todos los ajustes a las correas para acomodarse la mochila, quítese el soplador de la espalda y colóquelo en el suelo y levantado.
3. Ajuste el arnés de mochila y el mando de control.



Fig. 8

INSTRUCCIONES DE ARRANQUE / PARADA

ARRANCAR UN MOTOR FRÍO (A MENOS DE 55°F)

Llene el tanque de combustible con la mezcla adecuada de aceite y gasolina. Consulte la sección COMBUSTIBLE Y LUBRICADO. Coloque la unidad levantada en el suelo de forma que descance sobre el panel posterior.

1. Bombee la perilla de arranque 10 veces presionando la perilla (D). (Figura 10)
2. Su unidad ha sido diseñada con un estrangulador de 3 posiciones: ESTRANGULAMIENTO TOTAL "1", ESTRANGULAMIENTO PARCIAL "2", y EJECUCIÓN "3". Mueva la palanca del estrangulador a la posición ESTRANGULAMIENTO TOTAL "1". (Figura 9)
3. La cerradura fija de la válvula de admisión (C) : al tener el disparador (B) en abre lejos la posición, la prensa abajo y la cerradura de válvula de admisión de asidero (C). Libere válvula de admisión el disparador (B), entonces libera válvula de admisión la cerradura (C). Estrangule el disparador (B) ahora se quedará en el abre lejos la posición. Cerciórese interruptor de encendido está en el EN (I) la posición. (Fig. 11)

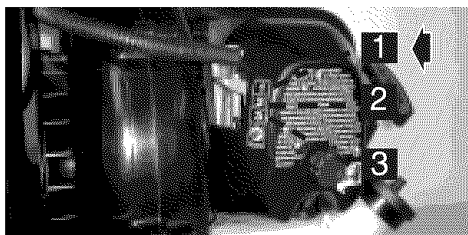


Fig. 9

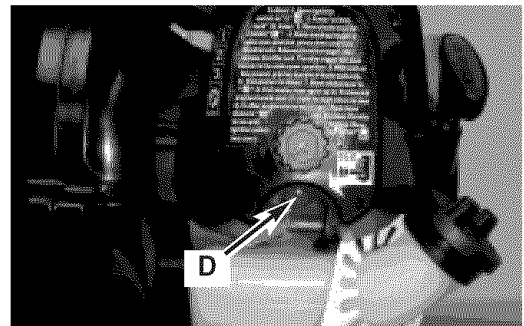


Fig. 10

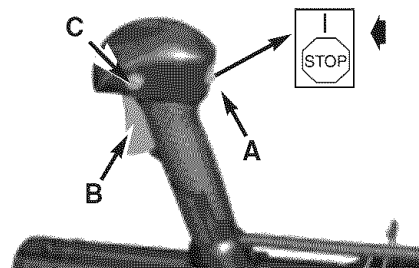


Fig. 11

INSTRUCCIONES DE ARRANQUE / PARADA

NOTA: La unidad utiliza el sistema de arranque **INCREDI-PULL™** con **MAX FIRE IGNITION™**, que reduce significativamente el esfuerzo necesario para arrancar el motor. Debe tirar de la cuerda de arranque lo suficiente para oír el intento de arranque. No es necesario tirar rápidamente de la cuerda -no encontrará resistencia al tirar. Tenga cuidado ya que este método de arranque es muy diferente (y mucho más sencillo) que los métodos a los que podría estar acostumbrado.

4. Con la unidad en el suelo, sostenga el asa de ayuda superior y pise el panel inferior con el pié (Figura 12)

5. Tire el principio el lazo 4-6 veces si la unidad no empieza mueve se estrangula palanca para posicionar 2 y tirar 4-6 más tiempos (Fig. 13). Esperar 10 sec. después que el comienzo de la unidad entonces mueve se estrangula palanca para posicionar 3. (Fig.14)

6. Pulse el gatillo para acelerar.

NOTA: Si el motor no se inicia después de varios intentos, consulte la sección de Solución de Problemas.

NOTA: Tire siempre hacia fuera de la cuerda de arranque. Si tira del arranque en un ángulo provocará el roce de la cuerda contra el orificio. Esta fricción causará que la cuerda se caliente y se desgaste con más rapidez. Sostenga siempre el asa cuando la cuerda se recoja. No deje que la cuerda se recoja sola. Podría hacer que la cuerda se caliente o que se dañe el ensamblaje de arranque.

INFORMACIÓN IMPORTANTE SOBRE RALENTÍ

En algunos casos, debido a las condiciones de funcionamiento (altitud, temperatura, etc.) su soplador puede necesitar un pequeño ajuste en la velocidad de ralentí.

Después de que se caliente, si la unidad no pasa al ralentí después de reiniciar 2 veces, siga estos pasos para ajustar la velocidad de ralentí.

1. Localice el tornillo de ajuste de ralentí (G) en el carburador (Figura 15).
2. Use un destornillador Phillips - gire el tornillo entre 1/4 y 1/2 vuelta en el sentido de las agujas del reloj (a la derecha). Entonces la unidad debe mantener el ralentí correctamente.

DETENER EL MOTOR

Procedimiento de detención de emergencia. Cuando sea necesario detener el soplador automáticamente, presione el conmutador en posición APAGADO "PARADA" (A) hasta que la unidad se detenga completamente (Figura 16).

Parada normal. Para realizar una parada normal, suelte el gatillo y deje que el motor vuelva a la velocidad de ralentí. Pulse entonces el conmutador en posición APAGADO "PARADA" (A) hasta que el motor se detenga completamente (Figura 15).

ARRANCAR UN MOTOR CALIENTE

(El motor no se ha detenido durante más de 15-20 minutos).

1. Fije la pestaña de acelerador (consulte el paso 2 para arrancar un motor en frío), tire de la cuerda brusca-mente.
2. Si el motor no se arranca, o arranca y se detiene después de tirar 5 veces de la cuerda, siga el procedimiento descrito en la sección "ARRANCAR UN MOTOR EN FRÍO".

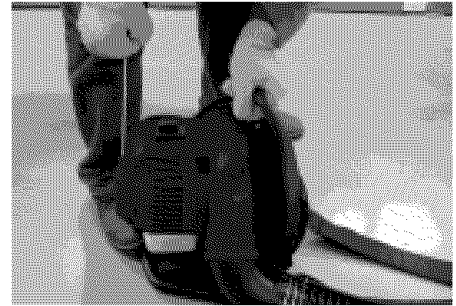


Fig. 12

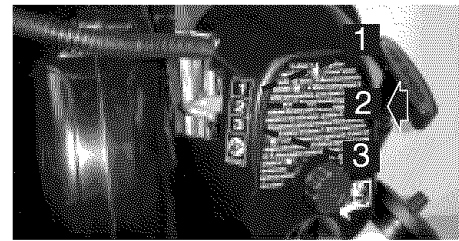


Fig. 13

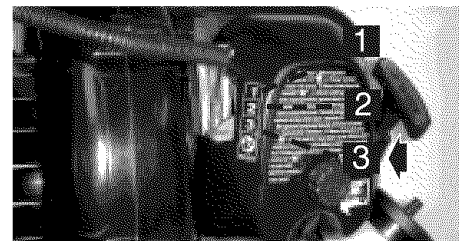


Fig. 14

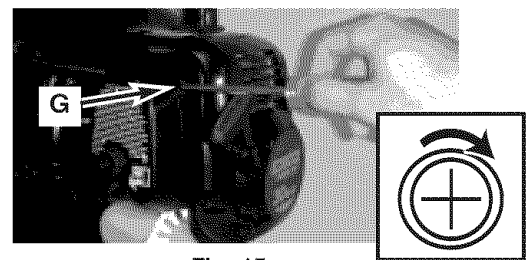


Fig. 15

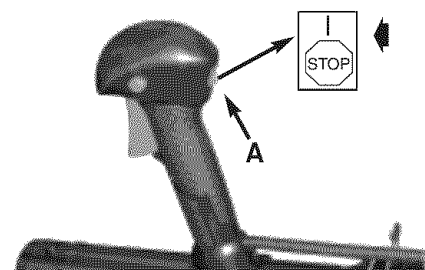




Fig. 16

INSTRUCCIONES OPERATIVAS

OPERACIONES DE SOPLADO

1. Utilice el soplador para árboles, arbustos, flores y zonas de difícil limpieza.
2. Utilice la unidad en edificios y para otros procedimientos de limpieza normales.
3. Utilice el soplador en paredes, salientes, vallas y pantallas.

 **ADVERTENCIA:** Debido a desechos voladores, siempre debe utilizar gafas de protección o mascarilla aprobadas por la American National Standards Institute.

 **ADVERTENCIA:** Antes de utilizar su soplador, revise la sección Precauciones de Seguridad del Manual del Usuario, y todas las regulaciones de funcionamiento de la unidad. Estas regulaciones y precauciones son para su propia protección.

 **PRECAUCIÓN:** NO manipule el soplador con gente o animales en sus cercanías. Deje un espacio mínimo de 50 pies (15 metros) entre el operador y otras personas o animales.

4. Le recomendamos que utilice una máscara protectora al operar el soplador en zonas polvorientas.
5. Aléjese de los desechos a una distancia que le permita controlar fácilmente la dirección de los desechos sopladados. No dirija los desechos hacia la gente.
6. Para controlar la velocidad del flujo de aire, el soplador puede ser operado a cualquier velocidad entre el ralenti y todo el gas. Experimente con la unidad para determinar la cantidad de aire necesaria según la aplicación.
7. Utilice el equipo a horas razonables - ni demasiado pronto por la mañana, ni demasiado tarde por la noche cuando pueda molestar a la gente. Cumpla los horarios fijados en la normativa local.
8. Para reducir los niveles de ruido, limite el número de equipos utilizados a la vez.
9. Utilice los sopladores a la menor velocidad necesaria para realizar el trabajo.
10. Compruebe su equipo antes de cualquier operación, especialmente el silenciador, las tomas y los filtros de aire.
11. Utilice un rastrillo o cepillo antes de soplar. En zonas polvorientas, humedezca un poco las superficie cuando sea posible.
12. Ahorre agua utilizando el soplador en lugar de mangueras para aplicaciones de jardín, incluyendo zonas como canales, pantallas, patios, rejas, porches y jardines.
13. Tenga cuidado con los niños, mascotas, ventanas abiertas o coches recién lavados, sople los desechos lejos de éstos.
14. Utilice el tubo intermedio más el dispersador de su elección para que el flujo de aire llegue bien al suelo.
15. Después de utilizar el soplador u otro equipamiento, LIMPIELO. Deshágase de los desechos en contenedores de basura.

INSTRUCCIONES DE FUNCIONAMIENTO

1. Siga las instrucciones de la sección "ARRANCAR UN MOTOR EN FRÍO".
2. Una vez que la unidad esté arrancada, colóquese en la espalda deslizándola los brazos a través de las correas como si se estuviera poniendo una chaqueta (Figura 17).
3. Al prepararse para limpiar una zona, colóquese de forma que controle la dirección de los desechos.
4. El asa de control (A, Fig. 16) y la flexibilidad del tubo de soplado le permitirá limpiar las zonas difíciles de alcanzar.
5. El asa de mano, el gatillo del acelerador, el bloqueo de acelerador y el conmutador de arranque/parada (B) se encuentran todos en una palanca que le ofrece una gran variedad de posiciones de funcionamiento (Figura 19).



Fig. 17



Fig. 18



Fig. 19


AGENDA DE MANTENIMIENTO

AGENDA DE MANTENIMIENTO

Lleve a cabo los procesos de mantenimiento necesarios con la frecuencia de la tabla. Estos procesos deben formar parte de la puesta a punto de temporada.

NOTA: El mantenimiento, reemplazo o reparación de los dispositivos de control de emisiones debe ser realizado por el personal de Sears u otro personal cualificado.

NOTA: El mantenimiento, reemplazo o reparación de los dispositivos de control debe ser realizado por Sears u otro personal cualificado.

	<p>ADVERTENCIA: Para evitar daños serios, nunca lleve a cabo las labores de mantenimiento o reparación con la unidad en marcha. Repare la unidad en frío. Desconecte el arrancador para asegurarse de que no se puede arrancar la unidad.</p>
---	--

Un buen programa de mantenimiento preventivo y de inspecciones regulares aumentará la vida de su sierra. Esta lista de comprobación de mantenimiento es una guía de tal programa.

La limpieza, ajuste y reemplazo de componentes puede ser necesario en determinadas condiciones, a intervalos más frecuentes de los indicados.

RESPONSABILIDAD DEL CLIENTE

LISTA DE MANTENIMIENTO		DESPUÉS DE CADA USO	HORAS DE FUNCIONAMIENTO	
			10	20
ELEMENTO	ANTES DE CADA USO			
COMPRUEBE QUE NO EXISTEN TORNILLOS/TUERCAS/PERNOS SUELTOS	✓			
LIMPIAR O REEMPLAZAR EL FILTRO DE AIRE		✓		
REEMPLAZAR EL FILTRO DE COMBUSTIBLE	✓		✓	
CAMBIAR LA BUJÍA	✓		✓	
INSPECCIONAR LA PANTALLA DEL ASPIRADOR DE CHISPAS		✓		
INSPECCIONAR LOS MANGUITOS DE COMBUSTIBLE				
INSPECCIONAR LOS TUBOS DE VACÍO				

INSTRUCCIONES DE MANTENIMIENTO Y REPARACIÓN

FILTRO DE AIRE

	PRECAUCIÓN: NUNCA utilice el soplador sin el filtro de aire. El filtro de aire debe estar limpio. Si se daña, instale uno nuevo.
--	---

Para limpiar el Filtro de Aire:

1. Afloje la tuerca (A) sosteniendo en su lugar el filtro de aire, quite la cubierta (B) y desplace el filtro (C) desde la caja de aire (Figura 20 y Figura 21).
2. Lave el filtro con agua y jabón. **NO UTILICE GASOLINA.**
3. Seque el filtro al aire.
4. Vuelva a instalar el filtro.

NOTA: Reemplace el filtro si se ha raído, roto, dañado o no puede limpiarlo.

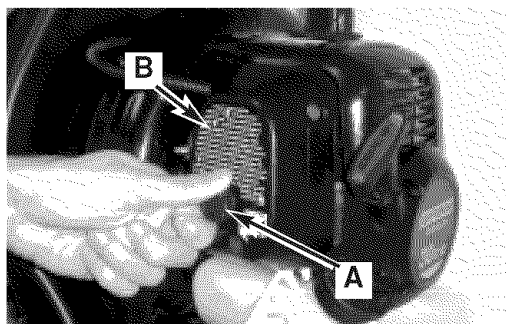


Fig. 20

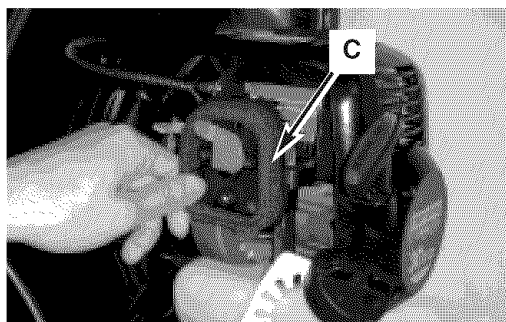



Fig. 21

TAPA DE COMBUSTIBLE / FILTRO DE COMBUSTIBLE

	PRECAUCIÓN: Retire el combustible de la unidad y consérvelo en un contenedor adecuado antes de comenzar este proceso. Abra la tapa del combustible lentamente y libere cualquier presión que pueda haberse formado en el tanque.
--	---

NOTA: Mantenga la ventilación (A) de la tapa de combustible limpia de desechos (Figura 22).

Filtro de Combustible:

1. Quite completamente la tapa de combustible del tanque (B) para poder quitar el filtro de combustible (C) del tanque. Utilice un trozo de cable (C) con un gancho formado en su extremo para retirar el filtro del tanque (Figura 23)
2. Tire del filtro (D) con un movimiento de torsión (Figura 24)
3. Cambie el filtro de combustible (D) (Figura 24)

NOTA: Nunca utilice el soplador sin el filtro de combustible. El motor interno puede resultar dañado.

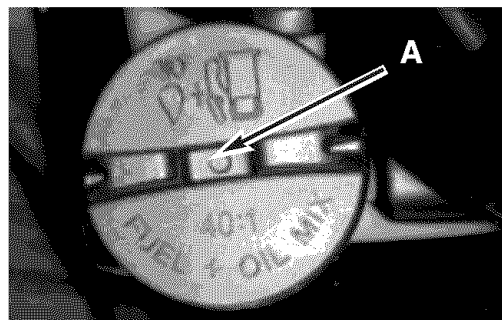


Fig. 22

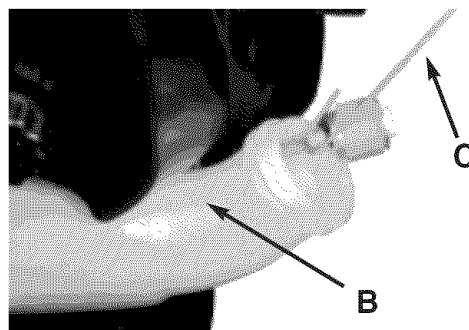


Fig. 23

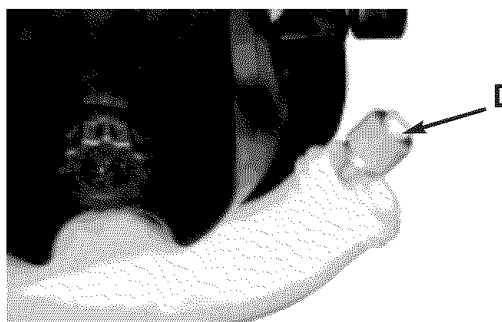


Fig. 24

AJUSTE DE RALENTÍ

El carburador ha sido preconfigurado de fábrica para un rendimiento óptimo. Si son necesarios más ajustes en el soplador, lleve su equipo a un distribuidor de servicio Sears u otro cualificado.

INSTRUCCIONES DE MANTENIMIENTO Y REPARACIÓN

BUJÍA

1. Para retirar la bujía (B) (Fig. 25) para limpiarla o cambiarla: asegúrese de que el motor está detenido y que la bujía está fría. Tire entonces firmemente de la bujía y retírela. Quite la bujía con la llave de bujía correcta. Inspeccione, limpie o cambie la bujía, según sea necesario.
2. Espacio de bujía = 0,025" (0,635 mm.) (Figura 26).
3. Apriete hasta 105 - 130 pulgadas · libra (de 12 a 15 N·m). Conecte la bujía de arranque.
4. Si necesita cambiar la bujía por una Champion RZ7C o equivalente.

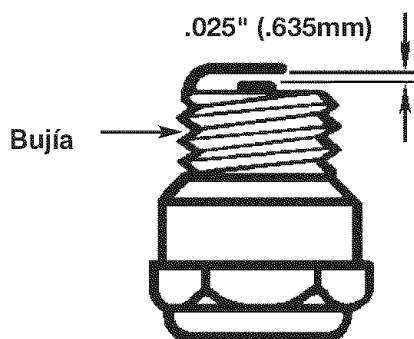


Fig. 25

PANTALLA DEL ASPIRADOR DE CHISPAS / ANILLA DE ENSAMBLAJE

1. Para cambiar la pantalla del aspirador de chispas / anilla de ensamblaje (A) (Figura 26), utilice unas pinzas y tome un lado de la anilla. Tire para sacar toda la pantalla del aspirador de chispas.
2. Utilice las pinzas para colocar una nueva pantalla para el aspirador de chispas abriendo las pinzas ligeramente para presionar la superficie interior del ensamblaje de forma segura en su lugar.

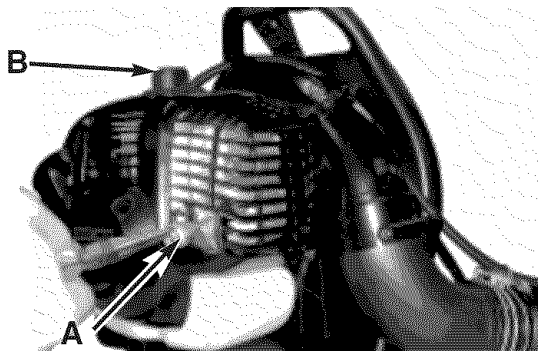


Fig. 26

ALMACENAMIENTO

Si no sigue las siguientes instrucciones pueden formarse depósitos en el carburador que pueden provocar dificultades al arrancar o daños permanentes.

1. Lleve a cabo todos los mantenimientos preventivos recomendados en la Sección de Mantenimiento de su Manual del Usuario.
2. Limpie el exterior del motor y los tubos del soplador.
3. Retire el combustible del tanque haciendo funcionar la unidad sin combustible o quitando la tapa de combustible para volcar el tanque/compartimentos y retirar el combustible/aceite sobrantes de los tubos de alimentación. Coloque el combustible en un contenedor con la misma mezcla de combustible de 2 tiempos.
4. Después de drenar el combustible, arranque el motor.
5. Haga funcionar el motor al ralentí hasta que se detenga. Así purgará el combustible del carburador.
6. Deje que el motor se enfría (aproximadamente 5 minutos).
7. Utilizando una llave para bujía, quite la bujía.
8. Deposite una cucharada de aceite de 2 tiempos en la cámara de combustión. Tire lentamente de la cuerda de arranque varias veces para recubrir los componentes internos. Cambie la bujía.
9. Conserve la unidad en un lugar fresco y seco lejos de cualquier fuente de ignición, como un quemador de aceite, un calentador de agua, etc.

UTILIZAR UNA UNIDAD ALMACENADA

1. Quite la bujía.
2. Tire bruscamente de la cuerda de arranque para retirar el exceso de aceite de la cámara de combustión.
3. Limpie la bujía y sepárela o instale una bujía nueva con el espacio adecuado (Fig. 24).
4. Prepare la unidad para el funcionamiento.
5. Llene el tanque con la mezcla de combustible / aceite adecuada. Consulte la Sección de Combustible y Lubricado.

RESOLUCIÓN DE PROBLEMAS

LA UNIDAD NO ARRANCA, O ARRANCA PERO NO FUNCIONA

CAUSA

1. Proceso de arranque incorrecto
2. Ajuste incorrecto de mezcla de combustible en carburador
3. Fallo en la bujía
4. Tanque de combustible vacío
5. La válvula principal no ha sido presionada

ACCIÓN

1. Siga las instrucciones de la sección Arranque/Parada
2. Permita que un distribuidor de servicio Sears ajuste el carburador de su unidad.
3. Limpie/separe o cambie la bujía
4. Llene el tanque de combustible con combustible bien mezclado
5. Presione la válvula primaria lentamente 10 veces

LA UNIDAD SE INICIA, PERO EL MOTOR TIENE POCA POTENCIA

CAUSA

1. Filtro de combustible sucio
2. Posición incorrecta de la palanca
3. Pantalla de aspirador de chispas sucia
4. Filtro de aire sucio
5. Ajuste incorrecto de mezcla realizado por el distribuidor de servicio

ACCIÓN

1. Cambie el filtro de combustible
2. Muévala a la posición 3
3. Cambie la pantalla
4. Quite, limpie y reinstale el filtro
5. Haga que un distribuidor de Sears ajuste su carburador

EL MOTOR BALBUCEA

CAUSA

1. Ajuste incorrecto de mezcla de combustible en carburador
2. Filtro de aire sucio
3. Combustible antiguo o mal mezclado

ACCIÓN

1. Permita que un distribuidor de servicio Sears ajuste el carburador de su unidad.
2. Cambie o limpie el filtro de aire
3. Vacíe el tanque de gasolina y añada mezcla

NO HAY POTENCIA AL CARGAR

CAUSA

1. Ajuste incorrecto de mezcla de combustible en carburador
2. Combustible antiguo o mal mezclado
3. Filtro de aire sucio
4. Fallo en la bujía

ACCIÓN

1. Permita que un distribuidor de servicio Sears ajuste el carburador de su unidad.
2. Vacíe el tanque de gasolina (vea Almacenamiento)/añada mezcla fresca
3. Cambie o limpie el filtro de aire
4. Cambie o limpie la bujía

FUNCIONA ERRÁTICAMENTE

CAUSA

1. Bujía con abertura incorrecta
2. Aspirador de chispas sucio
3. Filtro de aire sucio

ACCIÓN

1. Limpie/separe o cambie la bujía
2. Limpie o cambie el aspirador de chispas
3. Limpie o cambie el filtro de aire

HUMO EXCESIVO

CAUSA

1. Ajuste incorrecto de mezcla de combustible en carburador
2. Mezcla incorrecta de combustible

ACCIÓN

1. Permita que un distribuidor de servicio Sears ajuste el carburador de su unidad.
2. Utilice combustible bien mezclado (mezcla 40:1)

NOTA: Para realizar reparaciones más grandes, póngase en contacto con su centro de servicio de Sears más cercano en (1-800-4-MY-HOME®) u otro centro autorizado.

ESPECIFICACIONES

MOTOR*

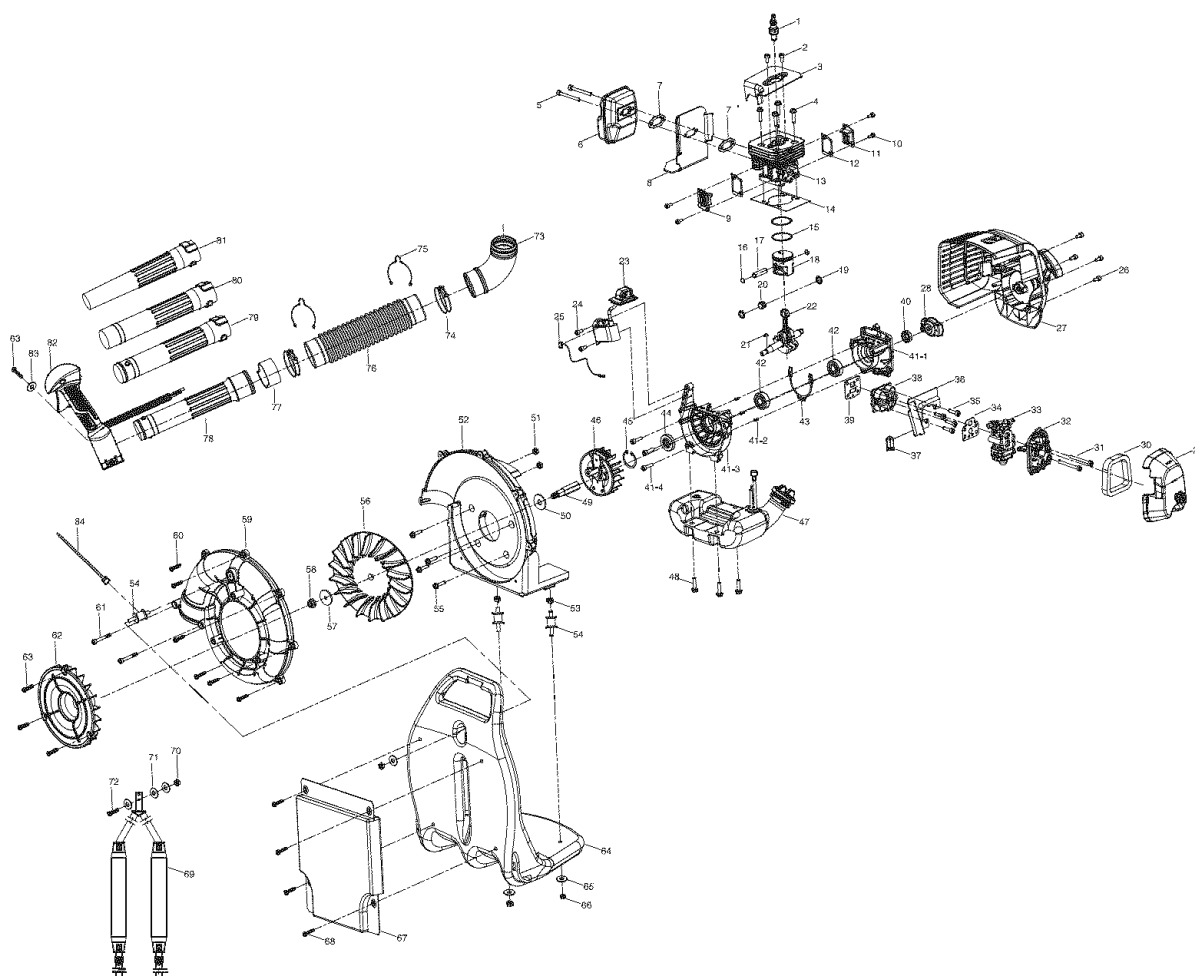
Tipo de Motor	Refrigerado por aire, 2 Tiempos
Desplazamiento	(30 cc)(1,83 cu in.)
Velocidad al ralentí RPM	3,400-4,400 rpm
Velocidad en funcionamiento RPM	7,200+ rpm
Tipo de arranque	Electrónico-MAX FIRE IGNITION(tm)
Conmutador de arranque	Conmutador Rocker
Espacio de bujía	0,025 in. (0,635 mm)
Lubricado	Mezcla Combustible/Aceite
Relación Combustible/Aceite	40:1
Carburador	Con arranque
Arranque.....	Sistema de Arranque INCREDI-Pull™
Silenciador.....	Deflector con guarda
Capacidad de tanque de combustible.....	20 oz. (600 ml)

SOPLADOR

Control de aceleración	Gatillo para dedo
Velocidad de soplado.....	hasta 170 mph
Salida de aire de Soplado	hasta 485 cfm
Peso Aproximado de la Unidad (Sin combustible)	19,5 lb.

Utilice protección para ojos y oídos

LISTA DE PIEZAS



Elemento	N. Componente	Descripción	Elemento	N. Componente	Descripción	Elemento	N. Componente	Descripción
1	9295-310801	BUJÍA	31	9SGEB-05-52	TORNILLO	57	9WFZ-8.4-32	ARANDELA
2	9SGEB-05-10	TORNILLO	32	9228-334520	ASA DE FILTRO	58	9NAC-08	TUERCA
3	9211-320601	PLACA LATERAL	33	9287-334501	CARBURADOR	59	9038-320602	CAJA DE TORNILLO
4	9SRCB-05-22	TORNILLO	34	9014-334505	JUNTA DE CARBURADOR	60	9SKKBY8/16-0.75	TORNILLO
5	9SXMBJ05-50	TORNILLO	35	9SKKB-05-19	TORNILLO	61	9SRCB-05-75	TORNILLO
6	9228-334503	SILENCIADOR	36	9211-334503	PLACA	62	9017-320601	CUBIERTA
7	9014-GP0102	JUNTA DE SILENCIADOR	37	9012-334501	OJAL	63	9SKKBB05-18	TORNILLO
8	9211-334501	PLACA DE SILENCIADOR	38	9072-334501	AISLANTE	64	9004-320601	MORCO
9	9017-334501	CUBIERTA, RUEDA FLOTANTE	39	9014-334506	JUNTA DE AISLANTE	65	9WFZ-06-18	ANILLA
10	9SGEB-04-10	TORNILLO	40	9157-332101	SEASELLADO	66	9NGZ-06	TUERCA
11	9017-334502	CUBIERTA, LATERAL DE ARRANQUE	41	9228-334501	CUBIERTA DE PLANCA	67	9014-320601	AMORTIGUADOR TRASERO
12	9014-334507	JUNTA	41-1	9151-334502A	CARCASA DE PLANCA, LATERAL STARTWE	68	9RGB7.14-16.27	CUADERNA REMACHADA
13	9292-334501F	CILINDRO	41-2	9PA-03-08S	PUNTA	69	9149-320601	ARNÉS
14	9014-334501	JUNTA	41-3	9151-334501A	CUBIERTA DE PALANCA< RUEDA FOLTANTE	70	6NGZ-08	TUERCA
15	9189-334501	ANILLO DE PISTÓN	41-4	9SGEB-05-20	TORNILLO	71	9WFZ-08-22	ANILLA
16	9131-334501	CIRCLIP	42	9DB-620101	CONEXIÓN	72	9SDCB-08-16	TORNILLO
17	9115-334501	PUNTA DE PISTÓN	43	9014-334502	JUNTA, LATERAL DE PALANCA	73	9186-320601	TUBO FLEXIBLE
18	9290-334501	PISTÓN	44	9157-334501	SELLADO	74	9036-320601	TUBO FLEXIBLE
19	9067-334501	CUBIETRA DE EJE	45	9CB-32	ANILLO EN C	75	9036-320602	PINZA DE CABLE
20	9NR-KV9129.8	CONEXIÓN DE AGUJA	46	9169-334501	RUEDA FLOTANTE	76	9186-320602	TUBO DE EXTREMO (40MM)
21	6221-830301	LLAVE	47	9228-334506	ASA DE TANQUE DE COMBUSTIBLE	77	9189-320601	ANILLO ACTIVO
22	9228-334502	PALANCA	48	9SKKBY05-18	TORNILLO	78	9186-320605	TUBO BASE
23	9288-320601-CH	BOBINA DE ARRANQUE	49	9127-320601	EJE DE CONEXIÓN	79	9186-320604	TUBO INTERMEDIO
24	9SGEB-05-20	TORNILLO	50	9WFZ-12.1-30	ANILLA	80	9186-320606	TUBO DE EXTREMO (56MM)
25	9010-332102	CABLE DE BOBINA	51	6NGZ-05	TUERCA	81	9186-320603	TUBO DE EXTREMO (40MM)
26	9SGKB-05-12.5	TORNILLO	52	9038-320601	CAJA DE TORNILLO	82	9228-320606	PALANCA DE ACELERADOR
27	9228-320602	CAJA DE ARRANQUE	53	6NDE-06	TUERCA	83	9WFB-4.5-13	ANILLA
28	9228-MD0107	ASA DE TRINQUETES	54	9012-320601	GOMA DE AISLAMIENTO DE VIBRACIONES	84	6032-150-02	CINTA LIGOTE
29	9228-334522	ASA DE FILTRO	55	9SRCBM05-30	TORNILLO			
30	9183-334501	FILTOR	56	9151-320601	IMPULSOR			

Declaración de Garantía de Control de Emisiones EPA / California

Sus derechos y obligaciones de garantía

El consejo de Recursos Aéreos de California, La Agencia de Protección Medioambiental y Sears, Roebuck and Co., tienen el placer de explicarle el sistema de control de garantía de su pequeño motor para 2005 y posterior. En California y los 49 estados, los nuevos motores pequeños deben ser diseñados, construidos y equipados para cumplir la estricta normativa anti-smog. Sears debe garantizar que la emisión del sistema de control de su motor pequeño para los periodos de tiempo listados a continuación no abusan, incumplen o mantienen incorrectamente su motor.

Su sistema de control de emisiones puede incluir componentes como un sistema de inyección de combustible al carburador, el sistema ignición y un convertidor catalítico. También puede incluir manquitos, abrazaderas, conectores y otros componentes relacionados con la emisión.

Donde exista una condición garantizable, Sears reparará su motor sin coste incluyendo el diagnóstico, los componentes y la mano de obra.

Los motores pequeños de 2005 en adelante están garantizados durante dos años. Si algún componente relacionado con la emisión está defectuoso, el componente será reparado o reemplazado por Sears.

Responsabilidades del propietario de la garantía

- Como propietario de un motor pequeño, usted es responsable del funcionamiento y del mantenimiento necesario mencionado en su manual de usuario. Sears le recomienda que conserve todos los recibos relacionados con el mantenimiento de su motor pequeño, aunque Sears no podrá denegar la garantía por la falta de recibos o por su fallo al asegurarse del buen funcionamiento del programa de mantenimiento.
- Como propietario de un motor pequeño, debe tener en cuenta que Sears puede denegar su garantía si su motor o un componente del mismo ha fallado debido a abusos, negligencias, mantenimiento inadecuado o modificaciones no aprobadas..
- Es usted responsable de presentar su motor en un Centro de Servicios Autorizados por Sears en el momento en el que exista un problema. Las reparaciones en garantía se completarán en una cantidad de tiempo razonable, sin exceder los 30 días.

Si tiene alguna pregunta acerca de sus derechos en garantía y sus responsabilidades, puede llamar al 1-800-4-MY-HOME®.

Cobertura de la Garantía del Fabricante

- El periodo de garantía comienza en la fecha en la que el equipo o motor ha sido entregado al comprador en el establecimiento.
- El fabricante garantiza al propietario inicial y a los siguientes compradores, que el motor está libre de defectos de material y mano de obra que causen el fallo de un componente en garantía durante un periodo de un año.
- La reparación y reemplazo de un componente en garantía será realizada sin cargo por un Centro de Servicios Autorizados por Sears. Para conocer su centro más cercano, póngase en contacto con Sears en el: 1-800-4-MY-HOME®.
- Cualquier componente en garantía que no deba ser cambiado, sino mantenido o inspeccionado regularmente al efecto de "Reparar o Reemplazar si es necesario" se encuentra garantizado durante la garantía. Cualquier componente garantizado que deba ser cambiado será garantizado durante un tiempo hasta la primera fecha de cambio de ese componente.
- El propietario no tendrá que pagar por las labores de diagnóstico que conducirán a la determinación de que un componente garantizado está defectuoso si el diagnóstico se realiza en un Centro de Servicios Autorizados por Sears.
- El fabricante es responsable de los daños a otros componentes del motor causados por el fallo de un componente en garantía que aún se encuentre en garantía.
- Los fallos provocados por el abuso, negligencia o mantenimiento incorrecto no serán incluidos en esta garantía.
- El uso de componentes modificados o accesorios no autorizados por el fabricante violarán su garantía. El fabricante no es responsable de la cobertura de los fallos en componentes garantizados por el uso de accesorios o componentes modificados.
- Para realizar una reclamación, diríjase a su Centro de Servicios Autorizados por Sears más cercano. Las reparaciones en garantía serán realizadas en todos los Centro de Servicios Autorizados por Sears.
- Cualquier componente cuyo cambio haya sido aprobado por el fabricante puede ser utilizado para la reparación de componentes relacionados con las emisiones, y se entregará sin cargo al propietario. Cualquier componente de reemplazo que sea equivalente en rendimiento o durabilidad puede ser utilizado durante el mantenimiento fuera de garantía y no reducirá las obligaciones de la garantía del fabricante.
- Los siguientes componentes se incluyen en la garantía de componentes relacionados con las emisiones: motor, filtro de aire, carburador, detonador, líneas de combustible, captación/filtro de combustible, módulo de ignición, bujía y silenciador.

Acuerdo de Protección de Reparaciones

Le felicitamos por su compra inteligente. Su nuevo producto Craftsman® ha sido diseñado y fabricado para durar años en funcionamiento. Pero como todos los productos, puede necesitar reparaciones de vez en cuando. Es el momento de que un Acuerdo de Protección de Reparaciones le ahorre dinero y problemas.

Compre un Acuerdo de Protección de Reparaciones ahora y protéjase de problemas y gastos inesperados.

Esto es lo que se incluye en el Acuerdo

- Servicio experto** por nuestros 12.000 profesionales especialistas en reparación
- Reparaciones ilimitadas y sin cargo** de componentes y mano de obra en todas las reparaciones cubiertas
- Reemplazo del producto si el producto** en cuestión no puede ser reparado.
- Descuento del 10%** de los gastos regulares de reparación y componentes no cubiertos por este acuerdo; además, un 10% de descuento sobre el precio normal de comprobación de mantenimiento preventivo
- Ayuda rápida por teléfono** - ayuda por teléfono por un técnico de Sears en el caso de productos que requieran reparación en casa, y programación de reparaciones.

Una vez que compre su acuerdo, una sola llamada telefónica será todo lo que necesitará para conseguir su reparación. Puede llamar a cualquier hora del día o de la noche, o pedir una cita de reparación online.

Sears tiene más de 12.000 profesionales especialistas en reparación, que tienen acceso a más de 4,5 millones de componentes y accesorios. Ese es el tipo de profesionales con los que puede contar para ayudarle a prolongar la vida de su nueva compra durante años. Compre hoy su Acuerdo de Protección de Reparaciones.

Son aplicables algunas limitaciones y exclusiones. Para conocer los precios y otra información, llame al 1-800-827-6655

Servicio de Instalación de Sears

Si necesita el servicio de instalación de electrodomésticos, puertas de garaje, calefactores de agua, y otros productos domésticos en los EE.UU., llame al 1-800-4-MY-HOME®

Arréglole, en su casa o en la nuestra!

En su casa

Para reparaciones -en su domicilio- de electrodomésticos de marcas conocidas y equipamiento de jardín, o sistemas de calefacción o refrigeración, **no importa quien lo haya fabricado o quien se lo haya vendido.**

Para componentes de repuesto, accesorios y manuales de usuario que necesite para hacerlo usted mismo.

Para instalación de electrodomésticos y otros elementos como puertas de garaje o calefactores de agua.

1-800-4-MY-HOME® (1-800-469-4663)

Llame a cualquier hora, de día o de noche (EE.UU. y Canadá)

www.sears.com www.sears.ca

En nuestra casa

Para reparaciones de artículos portátiles como aspiradoras, cortacéspedes, electrónica, llame o busque online su **Centro de reparación y Servicio Sears más cercano.**

1-800-488-1222

Llame a cualquier hora, de día o de noche (sólo EE.UU.)

www.sears.com

Para comprar un acuerdo de protección (EE.UU.)
O acuerdo de mantenimiento (Canadá) de un producto suministrado por Sears:

1-800-827-6655 (EE.UU.)

1-800-361-6665 (Canadá)

Para pedir servicio de reparación
A domicilio, y para ordenar piezas

1-888-SU-HOGARSM

(1-888-784-6427)

Au Canada pour service en français

1-800-LE-FOYER^{MC}

(1-800-533-6937)

www.sears.ca



® Registered Trademark / ™ Trademark / ™ Service Mark of Sears, Roebuck and Co.

® Marca Registrada / ™ Marca de Fábrica / ™ Marca de Servicio de Sears, Roebuck and Co.

MC Marque de commerce / MD Marque déposée de Sears, Roebuck and Co.

© Sears, Roebuck and Co.