
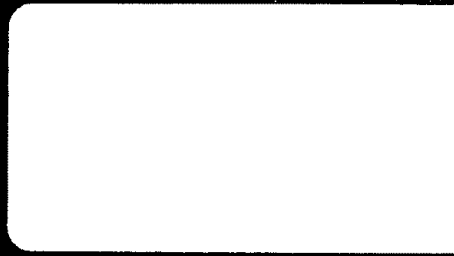
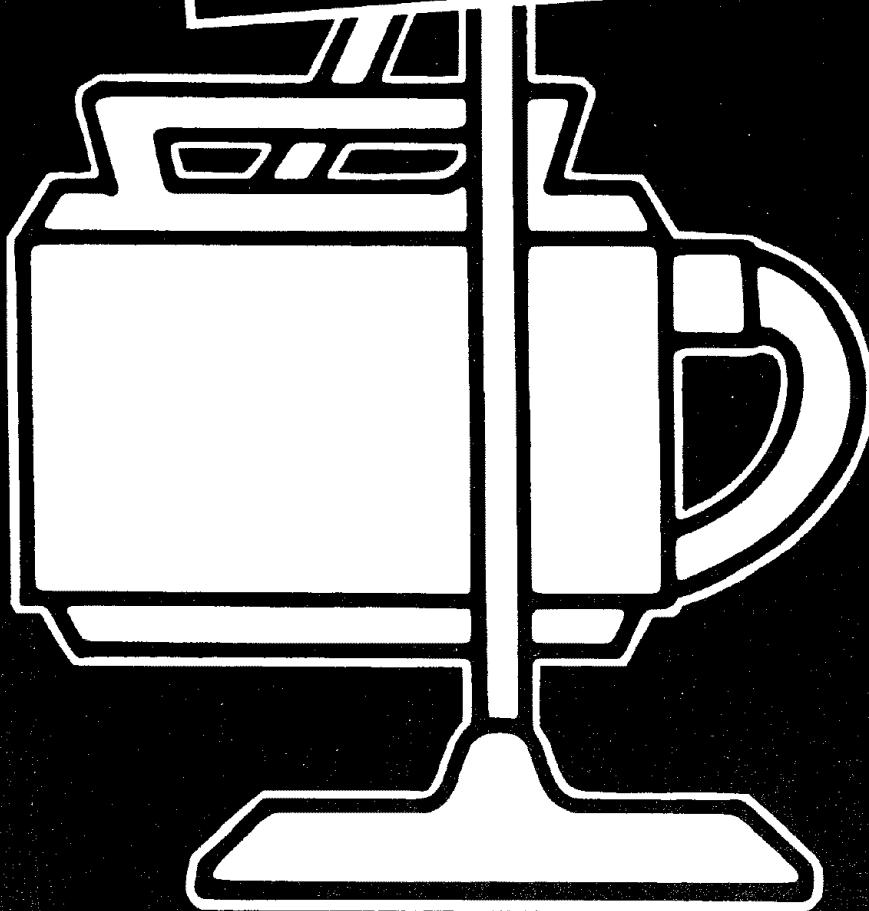


HOOVER[®] **Portapower[™]** **Cleaner**



**Review
this manual
before
operating
cleaner**



Fill in and retain!

The HOOVER vacuum cleaner you have just purchased is designed for carpet and floor cleaning and has cleaning tools for above the floor cleaning.

Your cleaner is a model no. _____

and has a serial number _____

For your personal records, please enter the model number and serial number in the spaces provided above and retain in a safe place.

The model number and serial number are located on the bottom of the cleaner.

Save!

Index

Blower Feature	10
Cleaner Description	3,4
Cleaning Tools	9,10
Edge Cleaning Feature	8
How to Assemble	5,6
How to Use Rug and Floor Nozzle	7,8
How to Use Suction Regulator	8
If You Have a Problem	13
Important Safeguards	2
Lubrication	14
Maintenance	
The Bag	11
Secondary Filter	12
Replacing Brush on Rug and Floor Nozzle	12
Storage	10
To Clean Stairs	·

Important Safeguards!

- Read all instructions.
- **Warning:** Electric shock could occur if used outdoors or on wet surfaces.
- Close supervision is necessary when any appliance is used by or near children. Do not allow vacuum cleaner to be used as a toy or to run unattended at any time.
- Do not use cleaner to pick up matches, or live ashes and cigarette butts.
- Avoid picking up hard, sharp objects with the cleaner. They may damage the cleaner and the bag.
- Unplug cleaner when not in use. Turn machine off at switch before unplugging.
- Always disconnect cord from electrical outlet before servicing the cleaner.
- Empty bag frequently when picking up very fine materials such as powder.
- Grasp the plug to disconnect from wall outlet to avoid damage to cord, plug, prongs, or receptacle.
- The use of an extension cord is not recommended.
- If cleaner is in disrepair, do not attempt to operate.
- Have repairs made by the qualified personnel at Hoover Factory Service Centers or Authorized Hoover Warranty Service Dealers.
- Use vacuum cleaner only for its intended use as described in the instructions. The use of attachments not recommended by the appliance manufacturer may cause hazards.

Save these instructions!



DOUBLE INSULATED:

When servicing use only identical replacement parts.

This cleaner has the safety equivalent of a grounded wiring system plus the convenience of a two wire system.

This cleaner meets Occupational Safety and Health Act (OSHA-29 CFR 1910 Subpart S) requirements providing safer working conditions as a result of mandated safety regulations and equipment safeguards.

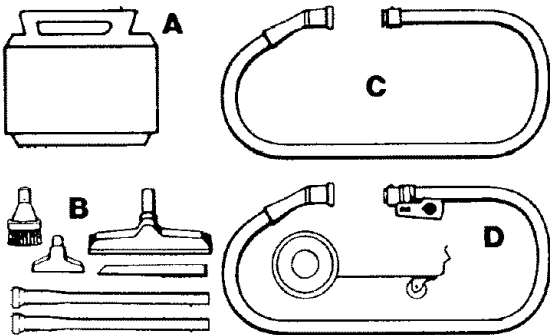
Unpacking

Unpack the cleaner from the carton and identify the parts shown. Remove and dispose of the cardboard packing.

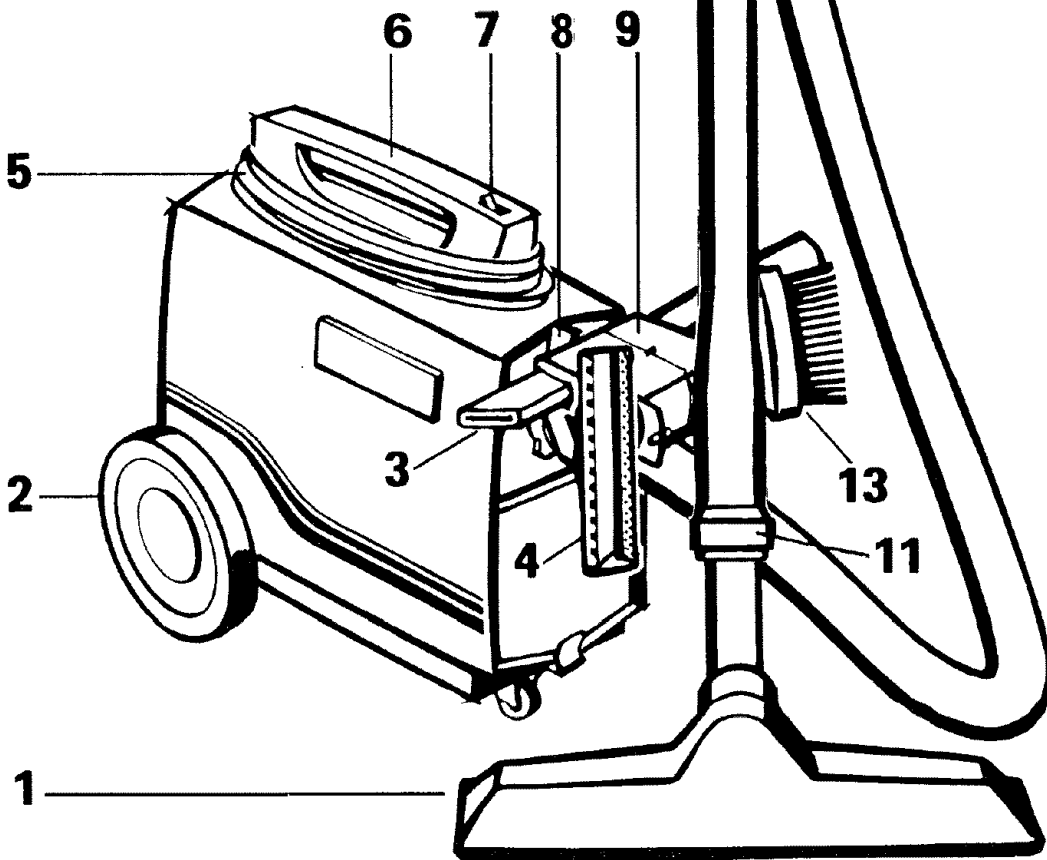
- A. Cleaner
- B. Tools and extension wands
- C. Hose

OR

- D. Wheeled carrier and hose with tool holder - deluxe model only



The cleaner assembled will look like the drawing below.



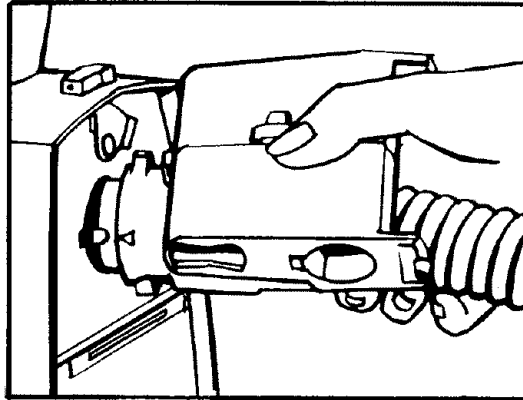
Operate cleaner only at voltage specified on data plate on bottom of cleaner.

- 1. Combination rug and floor nozzle**
- 2. Wheeled carrier** provides easy towing; pull cleaner using hose to guide the cleaner easily over carpet, area rugs and door sills. (Removable) Included with deluxe model only.
- 3. Crevice tool**
- 4. Furniture nozzle**
- 5. Cord**
- 6. Carrying handle**
- 7. On-off switch**
- 8. Bag door lock**
- 9. Tool holder** provides tool storage for crevice tool, dusting brush and furniture nozzle. Included with deluxe model only.
- 10. Extension wands** are used with the rug and floor nozzle. If added length is desired when using cleaning tools, one or both wands may be used.
- 11. Plastic latch ring** is located on extension wands and hose grip; rotates to connect wands and cleaning tools.
- 12. Flexible hose** for use ease in using cleaning tools.
- 13. Dusting brush**
- 14. Suction regulator** is set for MINIMUM, MEDIUM, or MAXIMUM suction by rotating the plastic ring so that the raised plastic indicator is directly below the desired setting.
- 15. Hose grip**

How to assemble

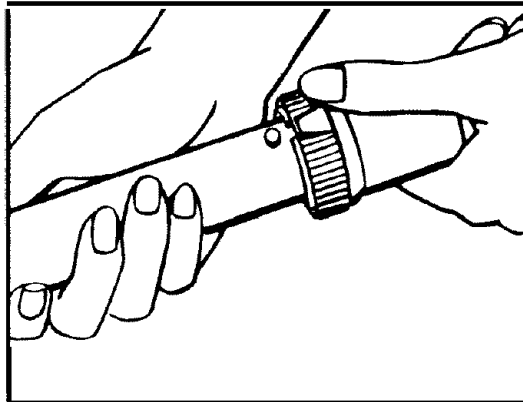
1. Connect hose

Insert hose connector into opening in bag door by fitting prongs on end of hose connector into corresponding slots in opening. Turn hose connector in either direction until it locks into position. Turn in opposite direction to remove from cleaner.



2. Attach extension wands, cleaning tools and nozzle

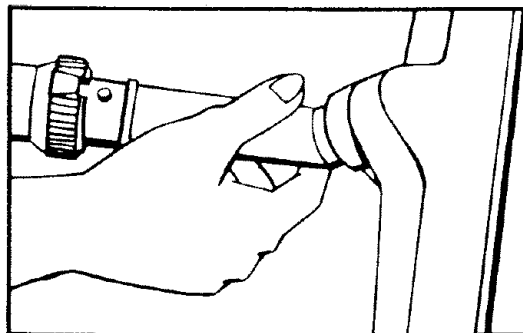
a. To attach extension wand to the hose, rotate the plastic latch ring on the hose grip to accept the button projection on the end of the extension wand. Turn the latch ring to lock in place. To remove, reverse the above procedure.

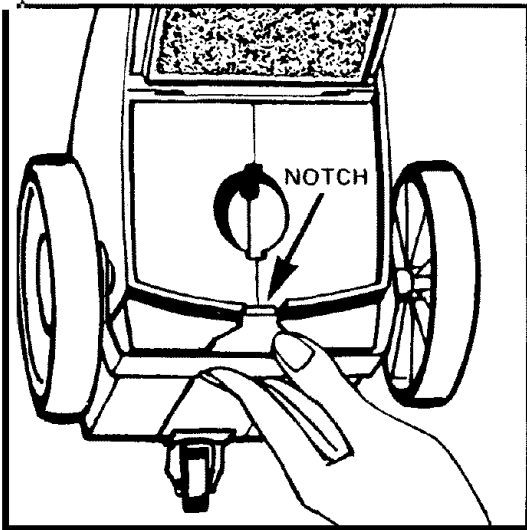


b. Cleaning tools may be attached directly to the hose grip by following the above directions.

Attach the second wand when using the rug and floor nozzle or for added length when using cleaning tools.

To attach the second wand and the rug and floor nozzle, follow the same procedure as when attaching wand or tools to hose grip.



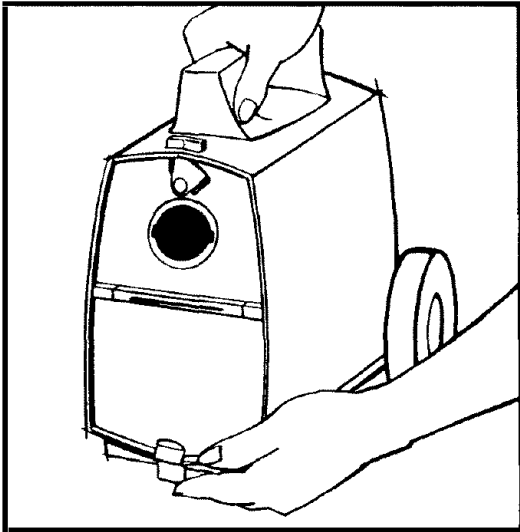


Deluxe model only

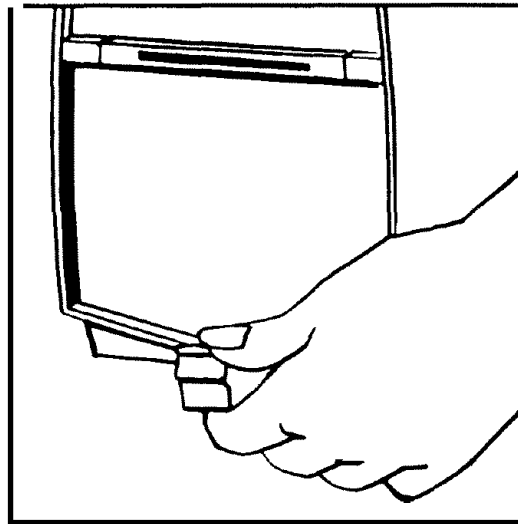
3. Attach wheeled carrier

The removable wheeled carrier can be used for transporting your cleaner from room to room or for use as you are cleaning.

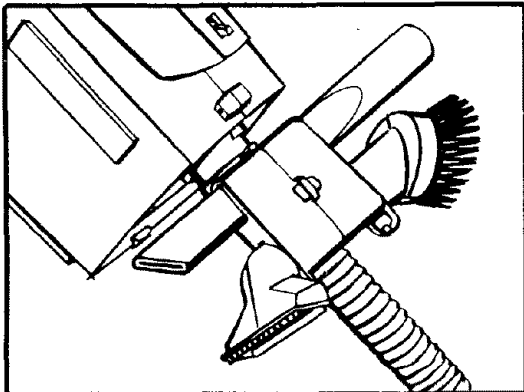
To attach wheeled carrier, first, open louvered door at the back of the cleaner. Then position large wheeled end of carrier into notch as shown. Close door.



Push front of cleaner down to snap into place.



To remove wheeled carrier, depress metal clip at small wheel end while lifting up cleaner.



4. Position tools

Position tools in tool holder as shown in the illustration.

How to use

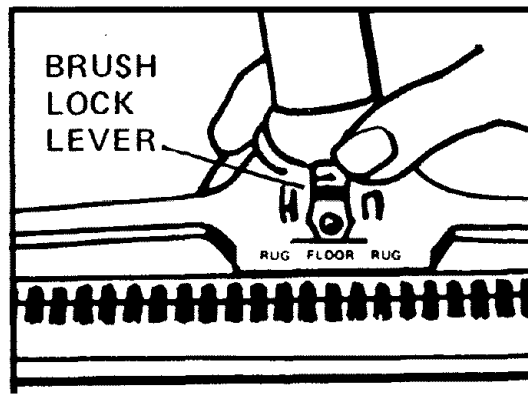
CAUTION: POTENTIAL SHOCK HAZARD This vacuum cleaner is not intended to be used where water may be present. Carpet will retain moisture long after it has been wet. This vacuum cleaner should not be used on wet or moist carpet.

Rug and floor nozzle

Use the combination rug and floor nozzle to clean both carpet and hard surface floors. To connect rug and floor nozzle to the wands and hose, rotate the plastic latch ring on the wand to accept the button projection on the end of the rug and floor nozzle. Turn the latch ring to lock in place. To remove, reverse the procedure.

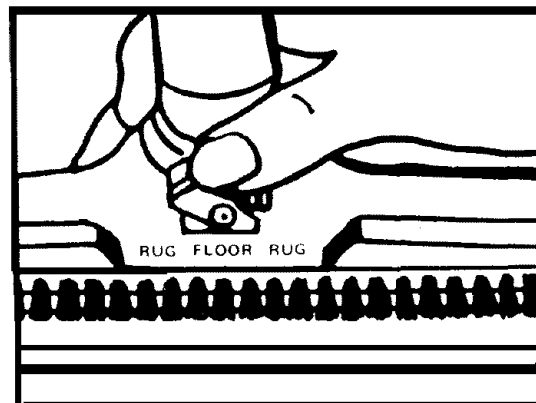
Hard surface floors

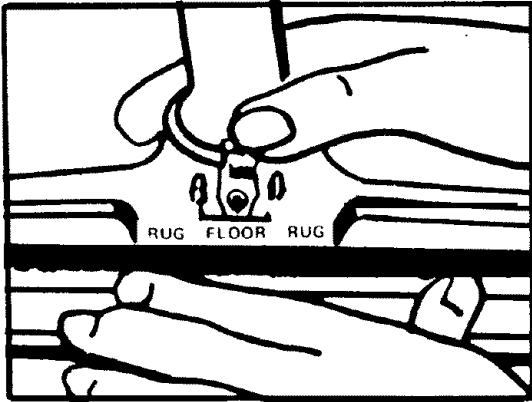
Put the brush in the floor position by moving the brush lock lever to the "FLOOR" position on the nozzle.



Rugs

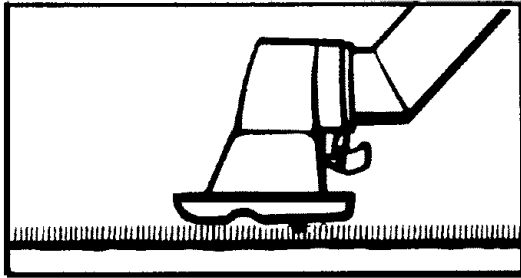
Put the brush in floating position by moving the brush lock lever either to the left or right to the "RUG" position. You will find it convenient to use only one hand when operating the cleaner on rugs and carpet.





On certain types of dense carpet, it may be advantageous to keep the brush in a position where it does not come in contact with the carpet. To lock brush into the nozzle, adjust lever to "RUG" position then press the brush all the way into the nozzle with your finger. While still holding the brush, adjust the lever to the "FLOOR" position and the brush will be locked into place. To release brush; move the brush lock lever either to the left or right to the "RUG" position.

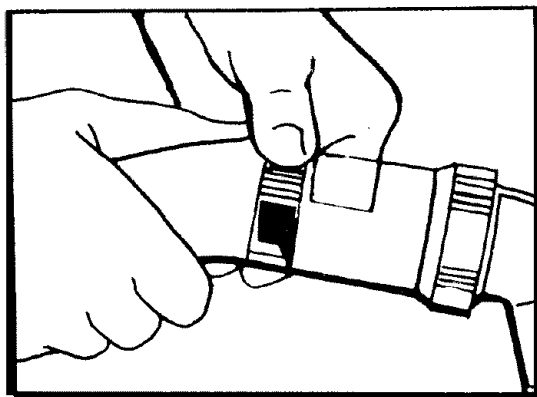
Note: Before using the nozzle on hard surface floors, make certain the brush is not locked into the nozzle; then adjust the lever to the "FLOOR" position.



For most efficient cleaning, place the nozzle flat on rugs and hard surface floors.

Edge cleaning feature

This feature provides for improved cleaning of carpet edges near baseboards and solid furniture. Passages have been added to the side of the nozzle to increase air flow carrying dust from the carpet edge to the nozzle.



Adjusting suction

The suction regulator is located on the hose grip and may be used for adjusting the amount of suction when cleaning carpet and rugs or when using the attachments.

Set the suction regulator to **MINIMUM**, **MEDIUM**, or **MAXIMUM** suction by rotating the plastic ring until the raised plastic indicator on the dial is directly under the desired setting.

Cleaning tools

The cleaning tools allow you to do above the floor cleaning and to clean hard to reach areas.

1. Furniture nozzle for upholstered furniture, draperies, tapes-tries, mattresses, clothing, and automobile interiors.

2. Dusting brush for carved furniture, table tops, books, lamps, lighting fixtures, Venetian blinds, baseboard, shutters and registers.

3. Crevice tool for radiators, dresser drawers, edges of wall-to-wall carpet, spaces between kitchen equipment.

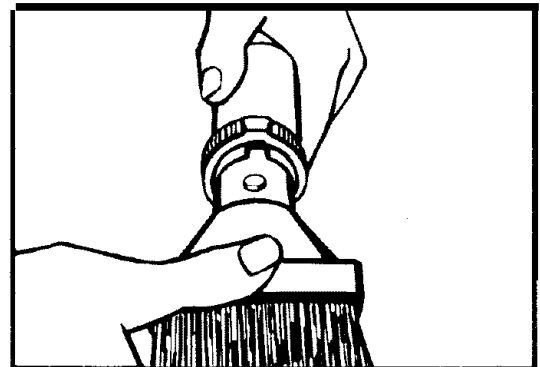
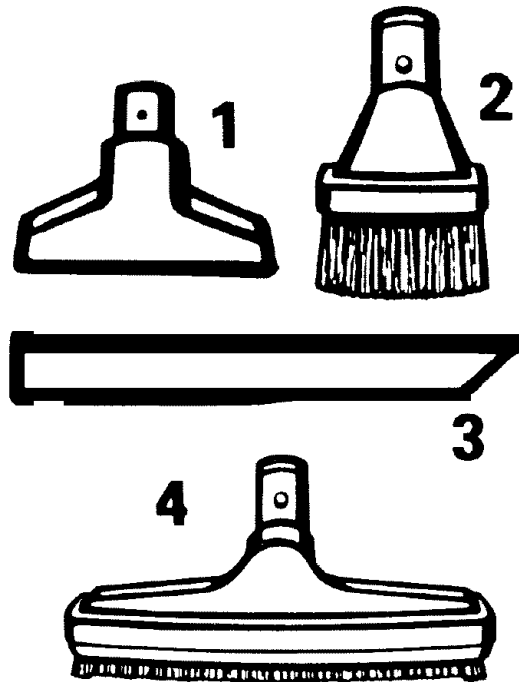
4. Wall/floor brush* for walls and very irregular hard surface floors such as brick and slate.

*Available at additional cost.

Attaching tools

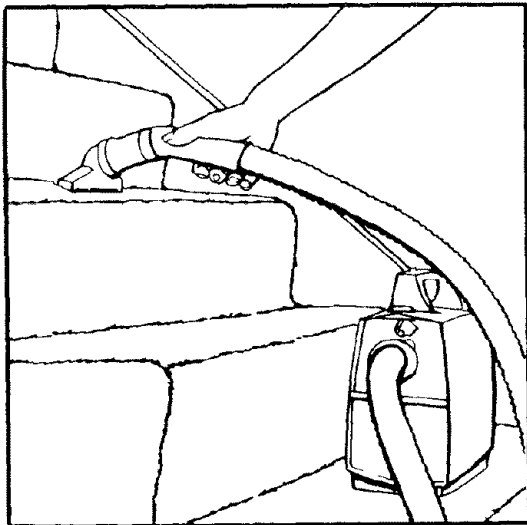
Tools may be attached 3 places depending on your cleaning needs:

To hose grip, to end of one wand or to end of two wands by rotating plastic latch ring.



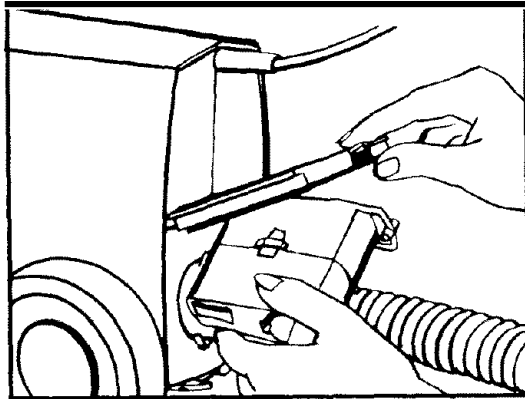
To clean tools

To clean the hose, wipe off dirt with a cloth dampened with a liquid detergent. Cleaning tools can be washed in warm water with a detergent. Rinse and let dry before using.



To clean stairs

Place cleaner on stair as shown. Clean stairs from bottom to top. Deluxe model may be used on stairs with wheeled carrier attached.

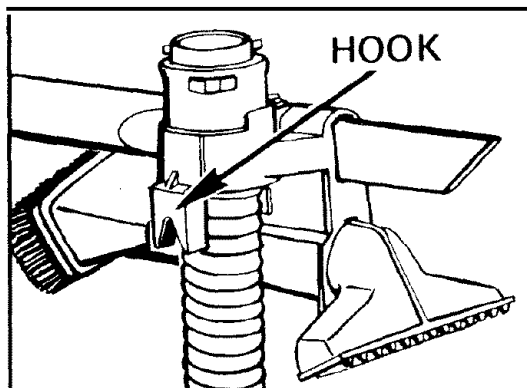


Blower feature

To use as a blower, remove hose from bag door. (See "How to assemble" section) Open louvered door, at back of cleaner, by pulling up from bottom. Insert hose connector into corresponding slots in opening. Turn hose connector in either direction until it locks into place. Use to blow dirt out of areas where it is impossible for suction to reach and to aerate musty closets and chests.

How to store

Remove hose and wrap cord around cleaner handle for storage.



Deluxe model only

When cleaning is completed, the tool holder and hose may be hung by the convenient hook located at the top of the holder.

Position hose over holder.

Maintenance

The following sections are concerned with proper maintenance of the cleaner. Familiarize yourself with these home maintenance tasks and keep this owner's manual in a convenient place where you can refer to it when needed. Proper use and care of your cleaner will assure continued cleaning effectiveness.

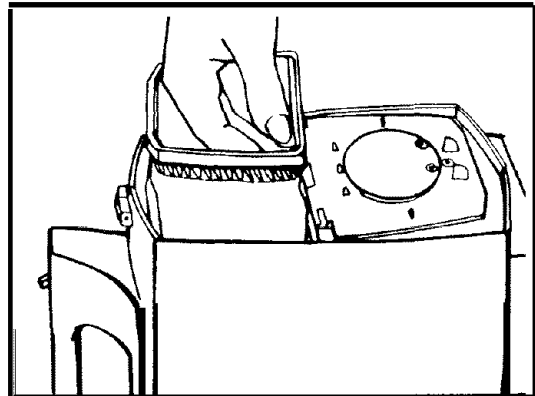
Disconnect cleaner from electrical outlet before attempting to service it in any manner.

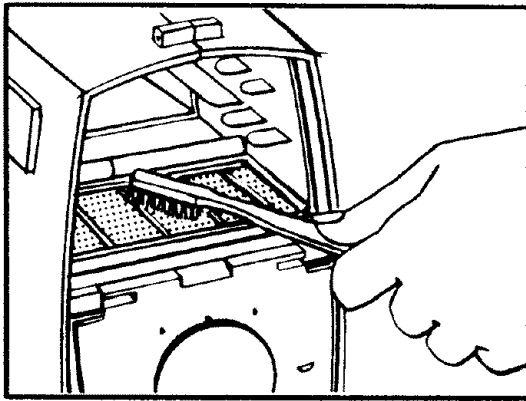
The bag

Check bag from time to time and empty when necessary. Very fine materials in large quantities, such as face powder, corn starch, fireplace ashes or furnace soot, will seal the pores of the bag. If the cleaner is used to remove materials of this type, empty the bag frequently. **Never operate cleaner without the bag.**

To empty bag

The bag is located behind the bag door. Remove hose and set cleaner back on end opposite bag door to assure that the dirt settles to the rear of the bag. Open bag door by turning latch clockwise and swinging door upward. Remove bag by grasping tab on front of bag ring and pulling bag from cleaner. Hold bag ring firmly on a paper and shake bag vigorously until it is clean. The bag may also be turned inside out for a thorough cleaning. Replace bag. Use the Crevice Tool or similar object to push bag into proper position. Bag ring should be seated against ridges in housing.





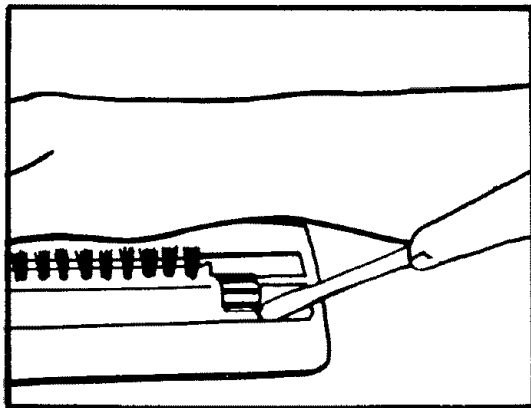
Secondary filter

The secondary filter protects the motor from dirt particles. It is located at the front of the bag compartment. When bag is removed, check filter, which is not removable. If filter is dirty, remove dirt with a small brush.

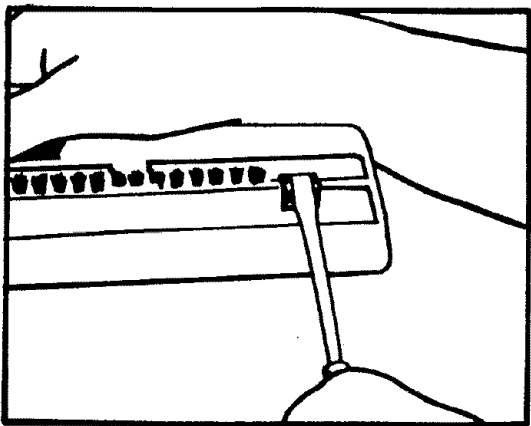
Rug/floor nozzle

Replacing brush

Replace the brush on the rug and floor nozzle when it becomes worn and is not doing a satisfactory job of cleaning. Brush Lock Lever must be in "RUG" position to remove brush.



1. Remove one of the metal clips holding brush in position by placing a screwdriver under the raised edge and lifting upward. Note position of old brush and springs, then remove them.



2. Screw springs onto projections of new brush. Center new brush in nozzle. Make sure that the bristles are facing up and the projection side is turned toward tube. Replace the clip and clamp into position by pressing down with the flat side of a screwdriver.

Lubrication

The motor is equipped with two bearings that contain sufficient lubrication for the life of the motor. The addition of lubricant could cause damage. Therefore, do not add lubricant to either motor bearing.

Service To The Consumer Since 1913

Consumer Information

This information has been compiled by the Vacuum Cleaner Manufacturers Association from Government and Private Sources concerned with product safety. These basic guidelines are for your protection and convenience.

TO AVOID ELECTRIC SHOCK

Never vacuum damp or wet surfaces or liquids.

Do not store machine outdoors.

Replace worn or frayed power cord immediately.

TO AVOID ACCIDENTS

Never vacuum live ashes or cigarette butts.

Never run machine over or place sharp objects on the power cord.

Never let children use machine as a toy.

Use extra caution when cleaning on stairs.

Keep machine on **floor** -- not on chairs, tables, etc.

When machine is turned on, never allow fingers, eyes, hair, garments, etc. to come near intake suction ports or revolving brushes.

Never leave machine running or cord plugged in when unattended.

Turn machine off at switch before unplugging from wall outlet.

When unplugging machine, grasp plug -- not cord; guide cord and plug during wrapping or cord reel rewinding.

The use of an extension cord is not recommended.

Never vacuum in the presence of flammable or combustible liquids or fumes.

Always unplug power cord from wall outlet before **servicing** machine or attaching accessories.

Store machine promptly after each use to prevent accidents from **tripping** over power cord or **machine**.

Use machine and accessories only in manner intended by manufacturers

FOR BEST PERFORMANCE

Keep your machine and all accessories clean and in good operating condition.

Change or clean bags and/or filters as recommended by manufacturer to maintain optimum cleaning efficiency, after unplugging the power cord.

Periodically check revolving brush for build-up of lint, hair or other foreign material and remove as necessary, after unplugging the power cord.

Adjust or replace cleaning brushes when worn, after unplugging the power cord

Have machine checked periodically by manufacturer's authorized service center

Use only manufacturer's authorized service center for parts or service.

Store machine carefully in a dry area.

For optimum cleaning performance and safety, study and follow your Owner's Manual -- keep it in a handy and safe place for future reference.

THE HOOVER COMPANY, NORTH CANTON, OHIO 44720