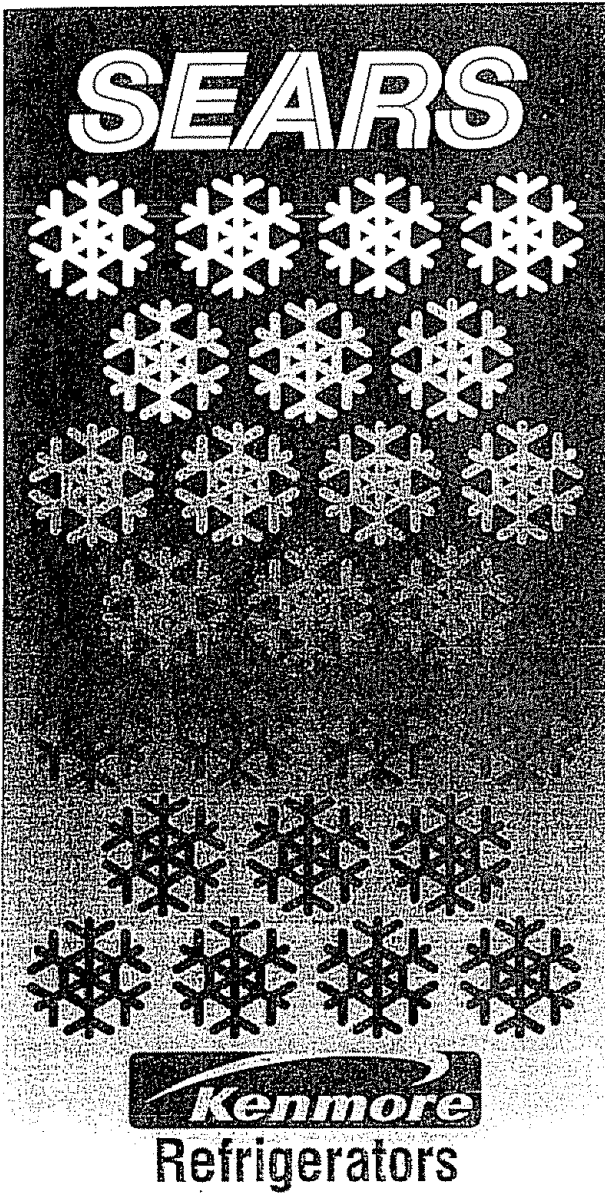
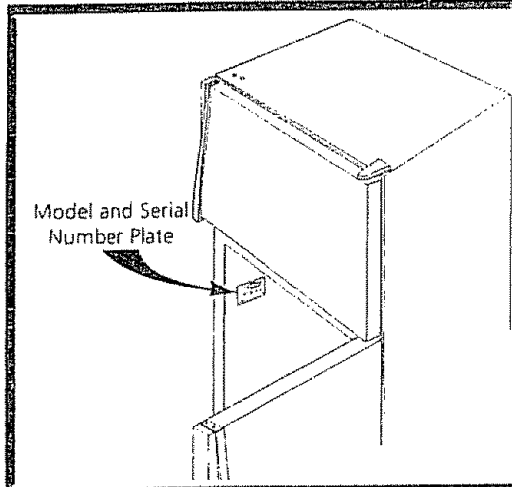


# Refrigerator Owner's Guide



Important Safety Instructions	2
First Steps	3
Energy Saving Ideas	4
Setting the Controls	4
Fresh Food Storage	5
Care and Cleaning	6-7
Automatic Ice Maker (some models)	7
Reversible Door Instructions	8-10
Avoid Service Checklist	10-11
Normal Operating Sounds	11
Sears Service	12
Refrigerator Warranty	12



## Read and Save These Instructions

### Record Your Model and Serial Numbers

Record in the space provided below the model and serial numbers found on the serial plate located on the top left wall of the refrigerator compartment

Model Number: \_\_\_\_\_

Serial Number: \_\_\_\_\_

Purchase Date: \_\_\_\_\_

# Important Safety Instructions

This Owner's Guide contains general operating instructions for your refrigerator and features information for several models. Your refrigerator may not have all the described features.

The instructions appearing in this Owner's Guide are not meant to cover every possible condition and situation that may occur. Common sense and caution must be practiced when installing, operating, and maintaining any appliance.

## **⚠ WARNING For Your Safety**

Do not store or use gasoline or other flammable vapors and liquids in the vicinity of this or any other appliance. Read product labels for flammability and other warnings.

## **⚠ WARNING Child Safety**

- Destroy carton, plastic bags, and any exterior wrapping material immediately after the refrigerator is unpacked. Children should never use these items for play. Cartons covered with rugs, bedspreads, plastic sheets or stretch wrap may become airtight chambers and can quickly cause suffocation.
- Remove all staples from the carton. Staples can cause severe cuts and destroy finishes if they come in contact with other appliances or furniture.
- An empty, discarded ice box, refrigerator or freezer is a very dangerous attraction to children. **Remove the door of any appliance that is not in use, even if it is being discarded.** Carefully read and follow the child safety precautions in the pamphlet enclosed with your new refrigerator. It is published by the Association of Home Appliance Manufacturers.

## **⚠ WARNING Electrical Information**

These guidelines must be followed to ensure that safety mechanisms in the design of this refrigerator will operate properly.

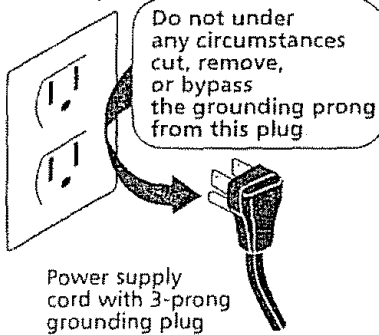
- **The refrigerator must be plugged into its own 115 Volt, 60 Hz, AC only electrical outlet.** The power cord of the appliance is equipped with a three-prong grounding plug for your protection against shock hazards. It must be plugged directly into a properly grounded three-prong receptacle. The receptacle must be installed in accordance with the National Electrical Code and local codes and ordinances. Consult a qualified electrician.
- If voltage varies by 10 percent or more, performance of your refrigerator may be affected. Operating the refrigerator with insufficient power can damage the compressor. Such damage is not covered under your warranty. If you suspect your voltage is high or low, consult your power company for testing.
- To prevent the refrigerator from being turned off accidentally, do not plug the unit into an outlet controlled by a wall switch or pull cord. **DO NOT USE AN EXTENSION CORD OR AN ADAPTER PLUG.**
- Do not pinch, knot, or bend the power cord.

## **⚠ WARNING Other Precautions**

- Never unplug the refrigerator by pulling on the power cord. Always grip the plug firmly and pull straight out from the receptacle.
- To avoid electrical shock, unplug the refrigerator before cleaning and before replacing a light bulb. **Note:** Turning the refrigerator control to OFF turns off the compressor, but does not disconnect power to the light bulb or other electrical components.
- Do not operate the refrigerator in the presence of explosive fumes.
- If your refrigerator has an automatic ice maker, avoid contact with moving parts.

**⚠ WARNING** Avoid fire hazard or electric shock. Do not use an extension cord or an adapter plug. Do not remove any prong from the power cord.

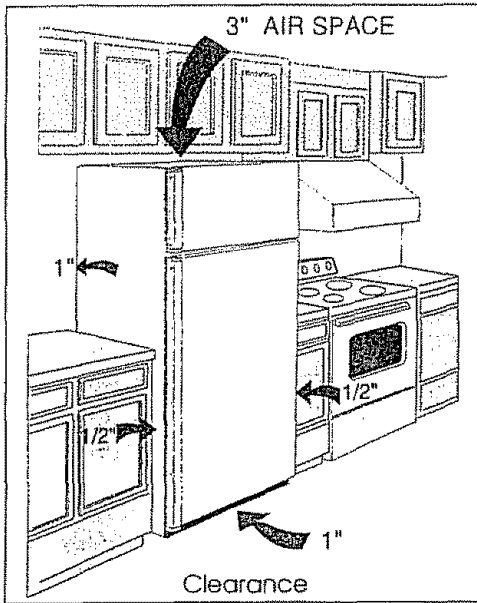
Grounding type wall receptacle



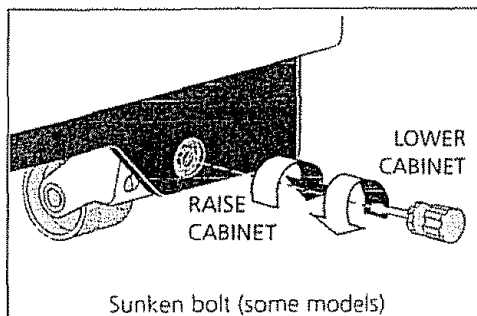
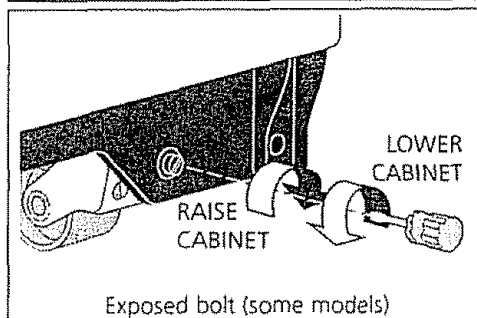
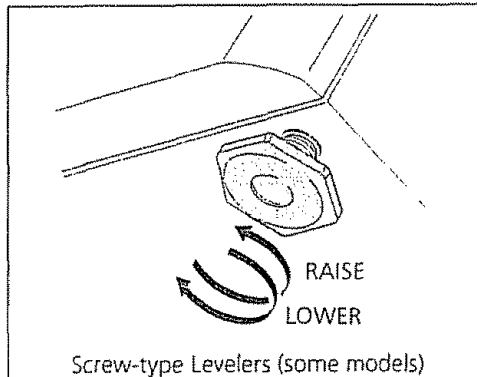
Power supply cord with 3-prong grounding plug

## First Steps

Before starting the refrigerator, follow these important first steps:



Proper air circulation and leveling will ensure efficient operation.



### Location

- Choose a place that is near a grounded electrical outlet DO NOT use an extension cord or an adapter plug
- If possible, place the refrigerator out of direct sunlight and away from the range, dishwasher or other heat sources
- The refrigerator must be installed on a floor that is level and strong enough to support a fully loaded refrigerator
- Consider water supply availability for models equipped with an automatic ice maker

### Installation

- Do not install the refrigerator where the temperature will drop below 60°F (15°C) or rise above 110°F (43°C) The compressor will not be able to maintain proper temperatures
- Allow space around the unit for good air circulation. Leave a 1 inch (25 mm) space behind and a 3 inch (75 mm) space above the refrigerator for adequate circulation
- In a recessed installation, allow an extra 1/2 inch (10-15 mm) on each side for ease of installation
- For best circulation, elevate the unit 1 inch (25 mm) from the floor, especially if the floor is carpeted.

### Door Opening

The doors should open to allow easy access to a counter when removing food

- Do not position the refrigerator so you have to walk around the refrigerator doors
- Reverse the doors if necessary. See "Reversible Door Instructions"

### Leveling

All four corners of refrigerator must rest firmly on a solid floor. Some models are equipped with adjustable screw-type levelers. Others are equipped with rollers. If your refrigerator did not come with rollers, they can be purchased from your dealer.

- **To adjust screw-type levelers (some models):** Tip the cabinet back slightly, and raise the adjusting bolts as needed
- **To adjust front rollers (some models):** Use a screwdriver, 3/8" socket wrench, or nutdriver to adjust the rollers as shown

RAISE THE FRONT of the cabinet enough so doors will close freely when opened halfway. Level the cabinet side to side.

### Cleaning

- Wash the inside, all removable parts and the outside with mild detergent and warm water. Wipe dry. **DO NOT USE HARSH CLEANERS ON THESE SURFACES.**
- Do not use razor blades or other sharp instruments which can scratch the appliance surface, when removing adhesive labels. Any glue left from the tape or energy label can be removed with a mixture of warm water and mild detergent, or touch the residue with the sticky side of tape already removed
- **DO NOT REMOVE THE SERIAL PLATE**

## Energy Saving Ideas

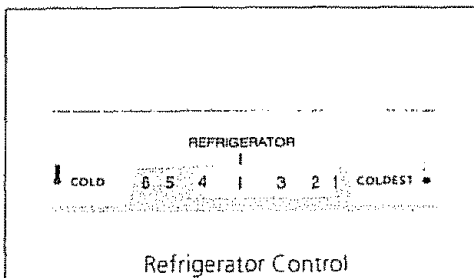


- Locate the refrigerator in the coolest part of the room, out of direct sunlight and away from heating ducts or registers. Do not place the refrigerator next to heat-producing appliances such as a range, oven or dishwasher. If this is not possible, a section of cabinetry or an added layer of insulation between the two appliances will help the refrigerator operate more efficiently.
- Level the refrigerator so the doors close tightly.
- Refer to this Owner's Guide for the suggested refrigerator settings.
- Periodic cleaning of the condenser will help the refrigerator run more efficiently. See Outside in the "Care and Cleaning" section.
- Do not overcrowd the refrigerator or block cold air vents. Doing so causes the refrigerator to run longer and use more energy. Shelves should not be lined with aluminum foil, wax paper or paper toweling. Liners interfere with cold air circulation, making the refrigerator less efficient, which could cause food spoilage.
- Cover foods and wipe containers dry before placing them in the refrigerator. This cuts down on moisture build-up inside the unit.
- Organize the refrigerator to reduce door openings. Remove as many items as needed at one time and close the door as soon as possible.

## Setting the Controls

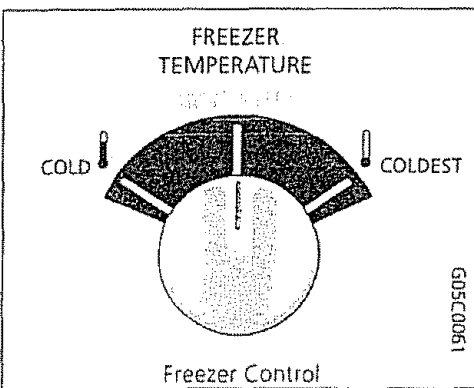
### Cool Down Period

To ensure safe food storage, allow the refrigerator to operate with the doors closed for at least 8 to 12 hours before loading with food.



### Refrigerator Control

- Set the refrigerator control dial to the midpoint for a trial period of 24 hours.
- After 24 hours, adjust the control as needed. For colder temperatures, turn the dial toward **COLDEST**. For warmer temperatures, turn the dial toward **COLD**. Adjust temperatures one increment at a time. **The temperature will increase or decrease, but not necessarily by 1, 2, or 3 degrees.**

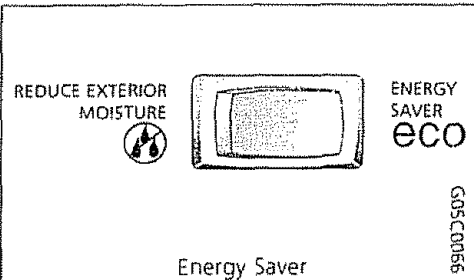


### Freezer Control

- Set the freezer control to the midpoint of the dial for a trial period of 24 hours.
- After 24 hours, adjust the control as needed. For colder temperatures, turn the dial a notch toward **COLDEST**. For warmer temperatures, turn the dial a notch toward **COLD**. Adjust temperatures one notch at a time.

An adjustment made to one compartment may require an adjustment to the other:

- Turning the refrigerator control will change the temperature in **BOTH** compartments. If the refrigerator control is turned to **OFF**, cooling stops in both compartments.
- Turning the freezer control will change only the temperature in the freezer compartment.

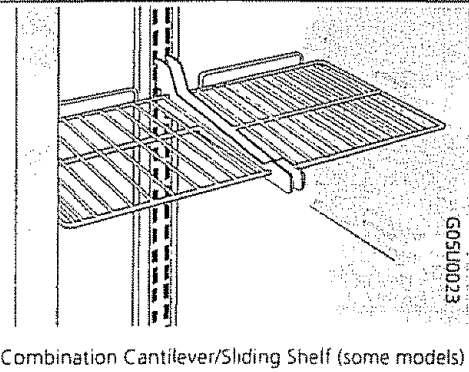
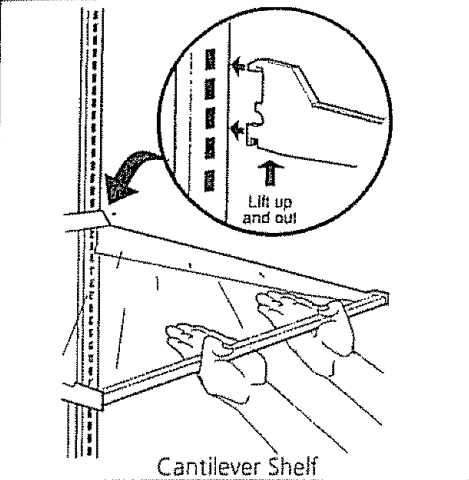
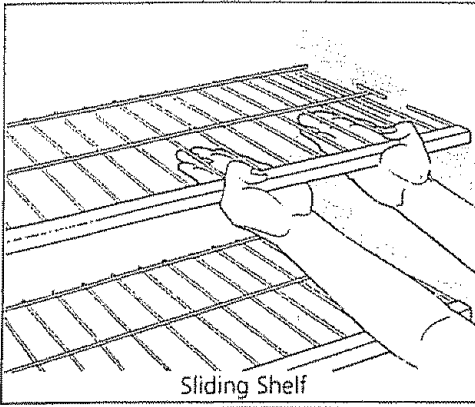


To maintain temperatures, a fan circulates air in the refrigerator and freezer compartments. For good circulation, do not block cold air vents with food items.

### Energy Saver Switch (some models)

If your refrigerator is equipped with an Energy Saver Switch, keep it set on **ENERGY SAVER** for lowest energy usage. During humid weather, or if moisture appears on the cabinet between the doors, set the control to **REDUCE EXTERIOR MOISTURE**. A heater will warm the surface and allow the moisture to evaporate. When humidity lowers, or moisture disappears, return the switch to **ENERGY SAVER**.

## Fresh Food Storage



### Shelf Adjustment

Refrigerator shelves are easily adjustable to suit individual needs. Some models have sliding shelves, others have cantilever shelves. Before adjusting shelves, remove all food. The shipping clips which stabilize the shelves for shipping may be removed and discarded.

*To adjust sliding shelves, remove by pulling forward to the stop position, then lift the front edge up and pull out. Replace on any pair of rails by reversing this procedure.*

*To adjust cantilever shelves (shelves supported at the rear of the refrigerator), lift the back of the shelf up and out. Replace shelf by inserting hooks at rear into slots. Lower and lock into position.*

*To adjust combination cantilever/sliding shelves, remove shelf by lifting hook out of rear slot, and sliding shelf forward to the stop position. Lift up front edge and pull out. Replace shelf by sliding shelf back on supports, and inserting the hook into the respective middle slot.*

### Door Storage

Door racks allow convenient storage of jars, bottles, and cans. Items used often are available for quick selection. Some models have door racks which can accommodate gallon-size plastic drink containers and economy size jars and containers which are available today. Some racks are removable and adjustable for maximum efficiency.

The Dairy compartment is warmer than the general food storage section and is intended for short term storage of cheese, spreads, or butter.

### Crispers

The Crispers, located under the bottom refrigerator shelf, are designed for storing fruits, vegetables, and other fresh produce. Wash items in clear water and remove excess water before placing in the Crispers. Items with strong odors or high moisture should be wrapped before storing.

### Meat Pan (some models)

Some models are equipped with a Meat Pan that can be positioned below any refrigerator shelf. Use this pan for short term storage of bulk meat items. If meats are to be kept longer than 1 or 2 days, they should be frozen.

## Care and Cleaning

Keep your refrigerator and freezer clean to prevent odor build-up. Wipe up any spills immediately and clean both sections at least twice a year. **Never** use metallic scouring pads, brushes, abrasive cleaners or strong alkaline solutions on any surface. **Do not** wash any removable parts in a dishwasher.

**Always unplug the power cord from the wall outlet before cleaning.** Turning the control to OFF does not disconnect power to the controls, light bulb, or other electrical components.

### Inside

**CAUTION** Damp objects stick to cold metal surfaces. Do not touch refrigerated surfaces with wet or damp hands.

Wash inside surfaces of the refrigerator and freezer with a solution of 2 tablespoons baking soda in 1 quart warm water. Rinse and dry thoroughly. **Be sure to wring excess water out of sponge or cloth before cleaning around the controls, light bulb, or any electrical parts.**

Wash removable parts such as shelves and drawers with baking soda solution or mild detergent and warm water. **DO NOT USE HARSH CLEANERS ON THESE SURFACES.** Rinse and dry thoroughly. Clean the door gaskets with mild suds, rinse with clear water and wipe dry. Do not use razor blades or other sharp instruments which can scratch the appliance surface when removing adhesive labels. Any glue left from the tape or energy label can be removed with a mixture of warm water and mild detergent, or, touch the residue with the sticky side of tape already removed. **DO NOT REMOVE THE SERIAL PLATE.**

### Outside

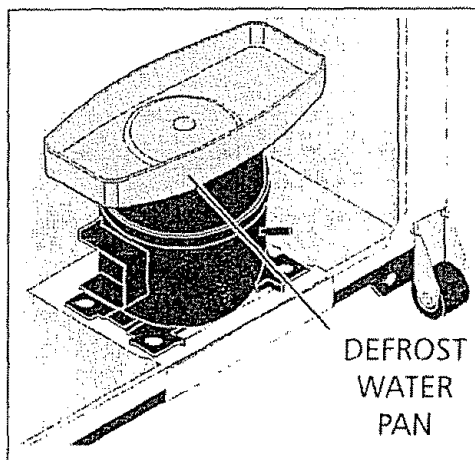
**CAUTION** To avoid damage and help the refrigerator run as efficiently as possible, clean the condenser periodically.

Wash the cabinet and handles with warm water and mild liquid detergent. Rinse well and wipe dry with a clean soft cloth.

When moving the refrigerator, pull straight out. Do not shift the refrigerator from side to side as this may tear or gouge the floor covering. If the refrigerator has an automatic ice maker, be careful not to move the refrigerator beyond plumbing connections.

Periodically clean the condenser (black tubes and wires on the back of the refrigerator). Using a vacuum with its dusting tool attachment, vacuum the coils to remove dust build-up. Do not allow lint or dust to accumulate on the coils.

The defrost water pan is located at the bottom rear of the refrigerator on top of the compressor (shown left). The pan should be cleaned periodically. Wipe clean with a damp cloth.



### Replacing the Light Bulb

**To replace the light bulb:**

1. Unplug the refrigerator
2. Wear gloves as protection against possible broken glass
3. Replace old bulb with an appliance bulb of the same wattage
4. Remember to plug the refrigerator back in

## Care and Cleaning

(continued)

### Vacation and Moving Tips

**Short vacations:** Leave the refrigerator operating during vacations of 1 to 3 weeks. Use up all perishable items from the refrigerator section. Wrap and store other items in the freezer. If the unit has an automatic ice maker, turn off the ice maker.

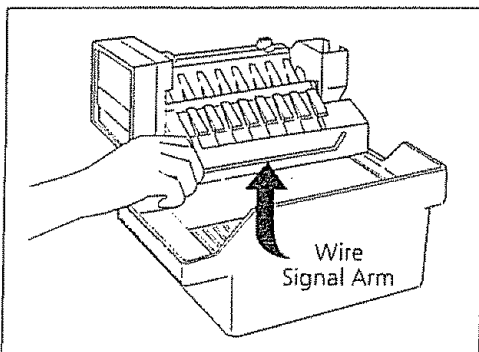
**Long vacations:** Remove all food and ice if you will be gone 1 month or more. Turn the control to OFF and disconnect the power. If the unit has an automatic ice maker, turn off the ice maker and turn the water supply valve to the closed position. Defrost and clean the interior thoroughly. Leave both doors open to prevent odor and mold buildup. Block open if necessary.

**Moving:** When moving the refrigerator, follow these guidelines to prevent damage:

- Remove all food and other items from both the refrigerator and freezer compartments. Empty the ice storage bin. Defrost and clean the interior thoroughly.
- If a hand truck is used in moving, load the refrigerator from the side.
- Turn front rollers as far up as possible (some models). This will protect them during sliding or moving.
- The cabinet should be well padded and handled with care. **DO NOT DROP.**

## Automatic Ice Maker

If your refrigerator has an automatic ice maker, it will provide a continuous supply of ice for normal use. The automatic ice maker is an optional accessory which may be installed in most models at any time. Call your local dealer for installation.



After the plumbing connections have been completed, the water supply valve must be opened. Place the ice container under the ice maker, pushing it as far back as possible. Lower the wire signal arm to its "down" or ON position. Because of new plumbing connections, the first production of ice cubes may be discolored or have an odd flavor. Throw the ice away until the cubes made are free of discoloration and taste. **CAUTION** Remember that water quality determines your ice quality. It is best to connect the ice maker to water that is not softened. Chemicals from a malfunctioning softener can damage the ice maker. If the ice maker is connected to soft water, ensure the softener is maintained and working properly.

**To stop the ice maker,** lift the wire signal arm until it clicks and locks in the "up" or OFF position. The ice maker turns off automatically when the ice container is full. If your model has an adjustable freezer shelf, place the shelf so the wire signal arm will hit the ice when the ice container is full.

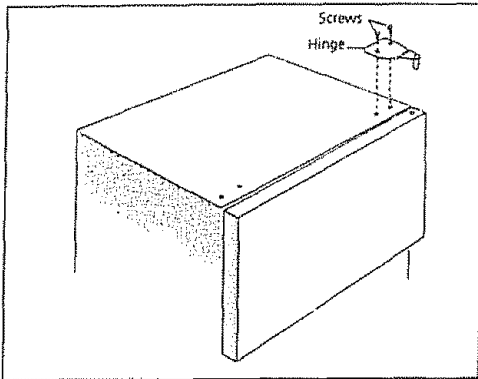
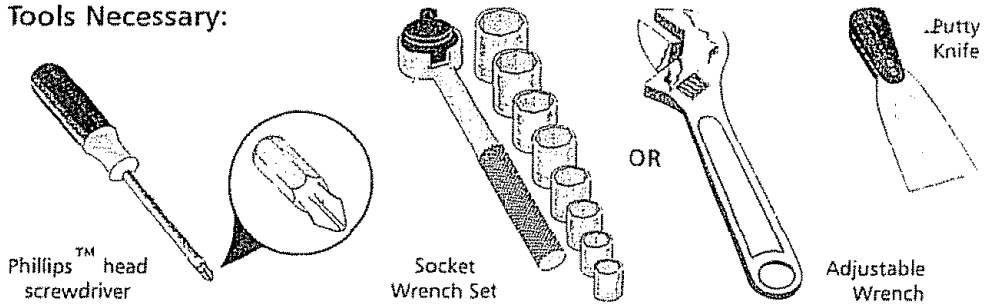
### Ice Maker Tips

- 1 Ice stored too long may develop an odd flavor. Empty the container and be sure the wire signal arm is in its "down" or ON position. The ice maker will then produce more ice.
- 2 Occasionally shake the container to keep ice separated.
- 3 Keep the wire signal arm in its "up" or OFF position until the refrigerator is connected to the water supply or whenever water supply is turned off.
- 4 **Certain sounds are normal when the ice maker is operating.** They are:
  - Motor operation
  - Ice being loosened from the tray
  - Ice being dropped into the container
  - Running water
  - Water valve opening and closingFor more information on these operations, see "Normal Operating Sounds."
- 5 Wash ice container in warm water with mild detergent. Rinse well and dry.
- 6 Stop the ice maker when cleaning the freezer or for short vacations.
- 7 If the ice maker will be turned off for a long period of time, turn the water supply valve to the closed position.

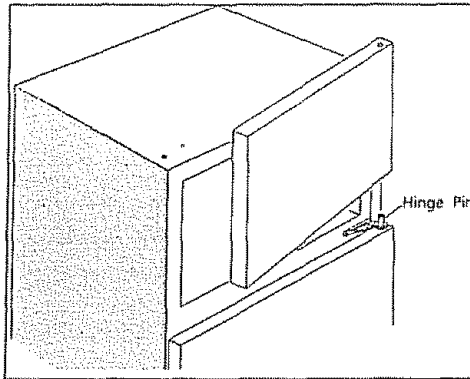
# Reversible Door Instructions

Your refrigerator is equipped with convertible door hinges. Hinging of the door can be changed to the opposite side any time you wish. An envelope containing extra plastic hole plugs is included in some models. Turn the refrigerator control to OFF. Remove all food, bottles, and other items from the door. **Begin with freezer door.** Completely remove one door before beginning the other.

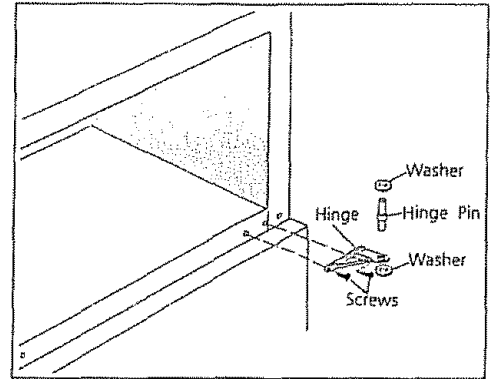
## Tools Necessary:



1. Snap off hinge cover at top of cabinet (some models). With the freezer door closed, remove the two screws attaching upper hinge to cabinet. Lift the hinge up and off. On some models, remove the shim also. **Be sure to save screws, (shim), and hinge for reassembly later.**

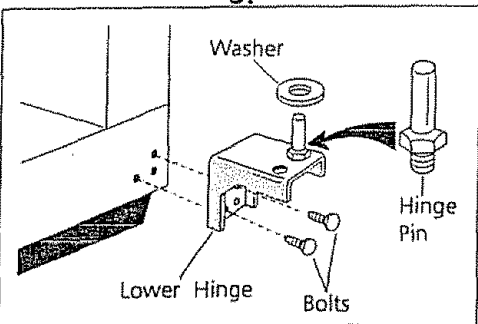
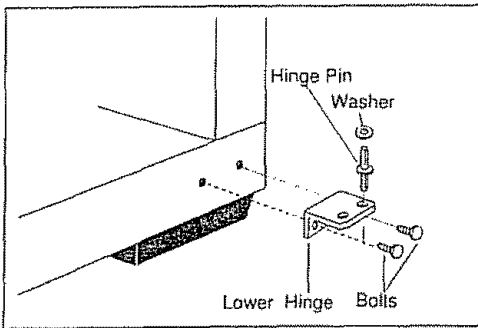


2. Open the freezer door enough to allow it to be lifted off the center hinge.

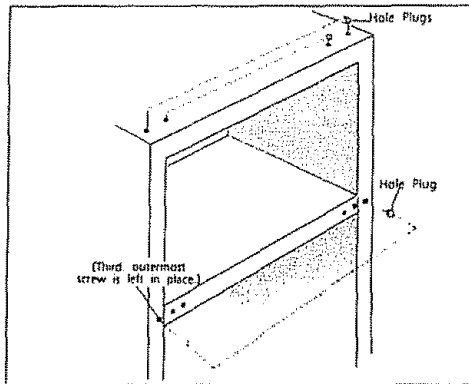


3. With the refrigerator door closed, remove center hinge pin. (Note the arrangement of the upper and lower washers (some models) on the hinge pin. The washers must be assembled later in the same manner.) Open refrigerator door enough to allow door to be lifted off the lower hinge. Remove the two screws attaching the center hinge. The third outermost screw under the center hinge should be left in place. **Save hinge, pin, and washers (some models) for reassembly later.** Reinstall screws in original holes.

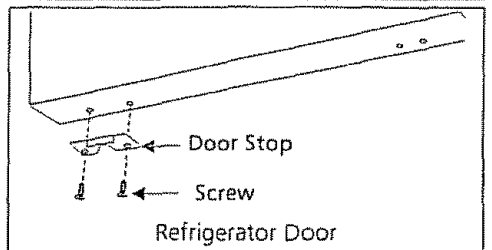
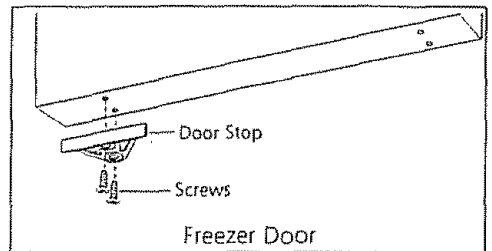
**NOTE:** Some models have "pocket" handles, which are recessed into the side of the door. On these models, only the hinges will need to be reversed. A handle is built into both sides of each door.



4. Remove hinge pin, hinge, and the two bolts attaching the lower hinge. **Save the hinge, hinge pin, washer (some models) and bolts for reassembly later.**



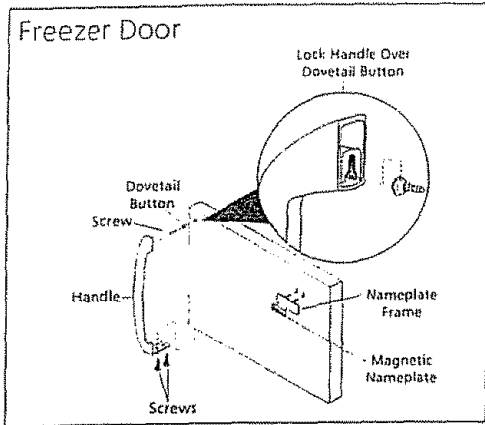
5. Carefully remove the hole plugs from the hinge holes in the center mullion and reinstall in the opposite set of holes.



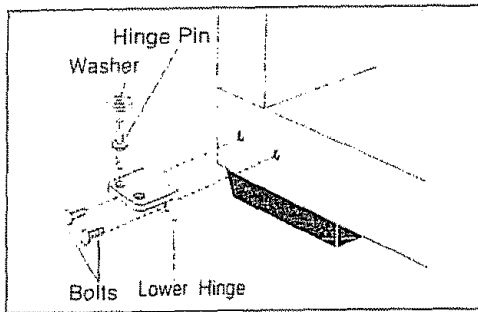
6. After the handles are removed (see steps 7 and 8), remove door stop from bottom of freezer and refrigerator door and reinstall on opposite side.



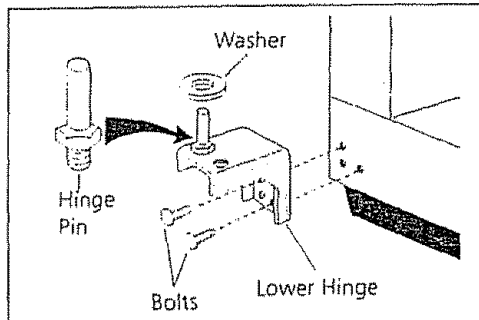
# Reversible Door Instructions (continued)



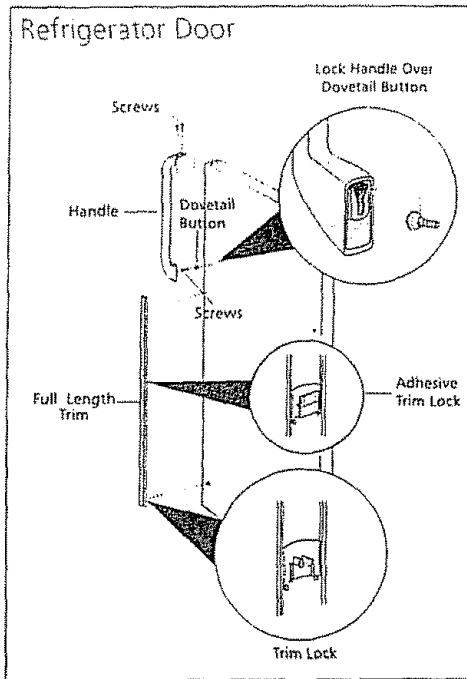
7. (When needed, please refer to your literature pack). Reverse handles while doors are off. Remove the two screws attaching the handle to the bottom of the freezer door. Swing bottom of handle away from the door and slide handle straight up and off of dovetail button. Remove screw and dovetail button and install on other side using the same holes as the nameplate. To move nameplate to other side, remove the nameplate from its frame, turn frame upside down and install in old handle holes. Insert nameplate into frame. Reverse instructions for reattaching handle. Start with handle offset away from the door. Place top of handle over dovetail button, swing handle into an upright position and push upward, locking it into place. Secure bottom of handle with screws.



or



9. Using a putty knife, remove black plastic plug (in some models) from front of base, and reinstall in opposite set of lower hinge holes. Assemble lower hinge to cabinet. Install hinge pin in opposite hinge hole from which it was removed. Install the washer (some models) on the lower hinge pin and insert hinge bolts, but do not tighten. Hinges will have to remain loose against cabinet to align door.

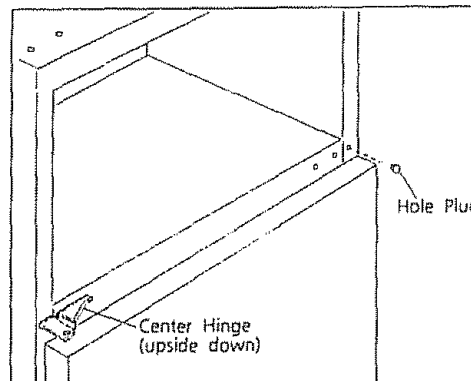


8. (When needed, please refer to your literature pack). To remove handle: Remove the two screws attaching the handle to the top of the refrigerator door. Swing the top of handle away from the door and slide handle down and off of dovetail button. Remove screw and dovetail button and install on other side, moving hole plugs from corresponding holes to the opposite side. Reverse instructions for reattaching handle. Start with the handle offset away from the door. Place bottom of handle over dovetail button, swing handle into an upright position and push downward, locking it into place. Secure top of handle with screws.

### Trim Removal (Full-Length Trim models only):

In some models, the refrigerator door has a full length trim piece which continues from the bottom of the handle to the bottom of the door. The top of the trim fits into the base of the handle. An adhesive "trim lock" is positioned about half-way down. The bottom of the trim is held in place by either an adhesive trim lock, or a trim lock with two prongs inserted into a hole on the face of the door. Remove the trim by gently pulling the trim lock areas out and away from the door. When the trim is free from the door, gently pull the trim down and away from the base of the handle.

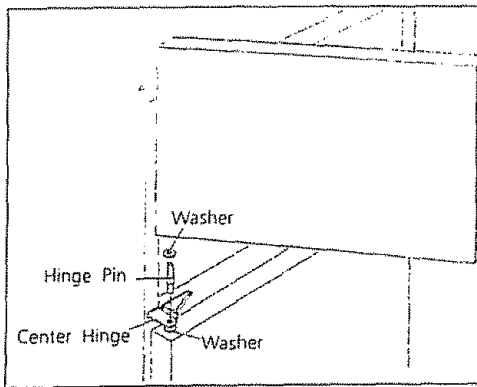
**To Reattach Trim:** Slide both trim locks out of trim. Insert the new adhesive trim locks contained in your literature pack. **NOTE:** Trim lock must be removed and installed by sliding OVER the two donut shaped areas. Install trim to handle by sliding under base of handle. Carefully align trim and press down at trim lock locations. Replace hole plug on opposite side. Use rubbing alcohol to remove any adhesive residue from old trim lock location(s).



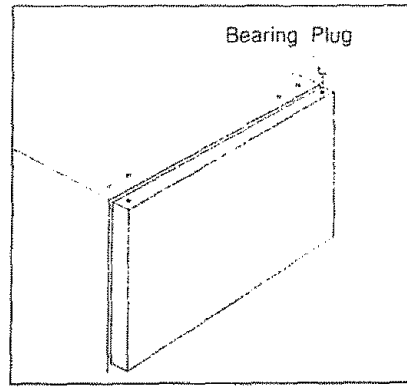
10. Turn center hinge upside down and secure to cabinet as shown, using the screws which are in the new holes. Install refrigerator door on lower hinge pin. Align door with edge of cabinet. Hold the door on front of cabinet.

# Reversible Door

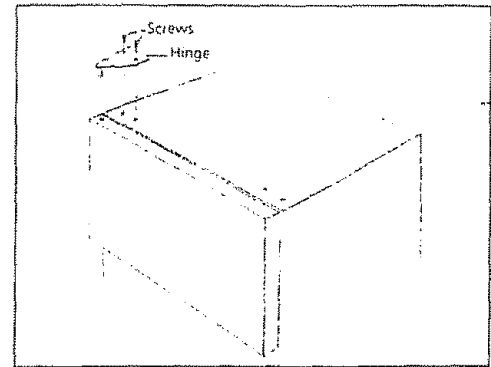
## Instructions (continued)



11. Place original washer (some models) over hole in refrigerator door and line up hole in center hinge. Insert hinge pin through both holes. Place washer (some models) on hinge pin, then position freezer door on center hinge.



12. Remove plug from upper bearing of door and reinstall on opposite side.



13. Assemble upper hinge (and shim on some models) to top of cabinet and door. Use opposite set of holes. Do not completely tighten screws.

Align doors so there is a parallel gap between doors. Adjust doors to cabinet so gaskets seal but do not bind. Tighten upper and lower hinge screws.

Additional adjustment may be necessary after loading the door shelves. Return food, bottles, and other articles to doors. Turn the refrigerator control on and to the previous setting.

## Avoid Service Checklist

Before calling for service, review this list. It may save you both time and expense. This list includes common occurrences that are not the result of defective workmanship or materials in this appliance.

### OCCURRENCE

### SOLUTION

#### RUNNING OF REFRIGERATOR

Refrigerator compressor does not run.

Refrigerator control is set to OFF. Turn on refrigerator control. See **Setting the Controls**.

Plug at wall outlet is disconnected. Be sure plug is tightly pushed into outlet.

House fuse has blown or circuit breaker has tripped. Check and/or replace fuse with a 15 amp time-delay fuse. Reset circuit breaker.

Power outage. Check house lights. Call local electric company.

Refrigerator runs too much or too long.

Refrigerator is larger than the previous one you owned. This is normal. Larger, more efficient units require longer running time.

Room or outside weather is hot. It is normal for the refrigerator to work longer under these conditions.

Automatic ice maker is operating (some models). Operation of the ice maker causes the refrigerator to run slightly more.

Doors are opened too frequently or too long. Warm air entering the refrigerator causes it to run more. Open the doors less often.

Refrigerator or freezer door may be slightly open. Make sure refrigerator is level. Keep food and containers from blocking door.

#### TEMPERATURES ARE TOO COLD OR TOO WARM

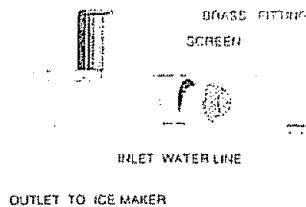
Temperatures in either compartment are too cold or too warm. See **Setting the Controls**.

## OCCURRENCE

## SOLUTION

### AUTOMATIC ICE MAKER (some models)

Ice maker is not making any ice



Ice maker wire signal arm is in "up" or OFF position. Move wire signal arm to "down" or ON position.

Household water line valve is not open. Turn on household water line valve.

Water supply valve in refrigerator is being blocked by foreign material. Unplug the refrigerator and turn off water supply. Slide refrigerator out and locate where water is connected to the valve. Unscrew the brass fitting and pull out the screen from inside the valve mesh. Clean the screen of foreign material. Replace screen and brass fitting and turn the water supply on; check for leaks. Plug in refrigerator and slide into place.

### WATER/MOISTURE/FROST INSIDE REFRIGERATOR

Moisture collects on inside of refrigerator walls.

Weather is hot and humid which increases rate of frost buildup and internal sweating. This is normal. Be sure doors are sealed tightly. Open doors less often.

Water collects under drawer cover or in bottom of drawer.

Vegetables contain and give off moisture. Washed vegetables and fruits drain while in the drawer. This is normal. Pat rinsed vegetables dry with a towel before storing. Clean and dry crispers as necessary.

### WATER/MOISTURE/FROST OUTSIDE REFRIGERATOR

Moisture forms on outside of refrigerator or between doors.

Door is slightly open, causing cold air from inside the refrigerator to meet warm air from outside.

This is normal in humid weather. When humidity is lower, the moisture should disappear. Set the Energy Saver to the Reduce Exterior Moisture position.

### ODORS IN REFRIGERATOR/FREEZER

Interior needs to be cleaned. Clean interior with a sponge, warm water, and baking soda.

Food with strong odor is in refrigerator/freezer. Cover food tightly.

Ice has picked up odor or flavor from strong food stored in refrigerator or freezer. Cover foods tightly. Discard stale ice.

### LIGHT BULB IS NOT ON

Light bulb is burned out. See "Replacing the Light Bulb" in Care and Cleaning.

Light switch is stuck. Light switch is located on the ceiling of the refrigerator compartment near the temperature control box. Push in light switch to release.

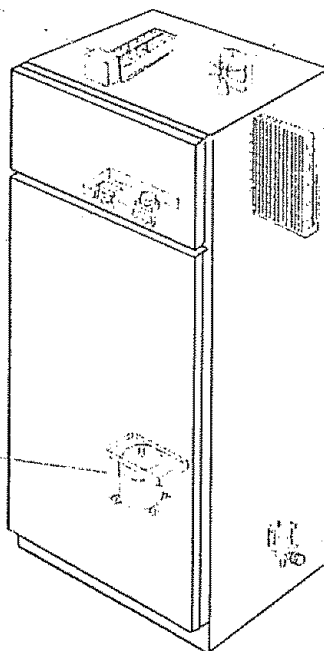
No electric current is reaching refrigerator. See RUNNING OF REFRIGERATOR ABOVE.

## Normal Operating Sounds

**AUTOMATIC ICE MAKER**  
Occasionally you will hear ice cubes dropping into the ice bin.

**COLD CONTROL & DEFROST TIMER**  
These parts can produce a snapping sound when turning the refrigerator on or off. The timer also produces sounds similar to an electric clock.

**COMPRESSOR**  
Modern, high efficiency compressors operate much faster than older models. The compressor may have a high-pitched hum or pulsating sound.



**EVAPORATOR FAN**  
You may hear air being forced through the cabinet by the fan.

**EVAPORATOR**  
The flow of refrigerant through the evaporator may create a boiling or gurgling sound.

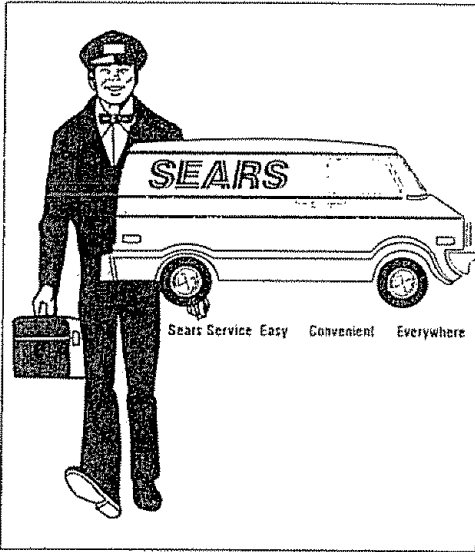
**DEFROST HEATER**  
During defrost cycles, water dripping onto the heater may cause a hissing or sizzling sound. After defrosting, a popping sound may occur.

**WATER VALVE**  
When the ice maker fills with water, you will hear a buzzing sound and water running.

**INSULATION**  
Rigid foam insulation has excellent insulating capabilities. It is very energy efficient, however, it does have a tendency to amplify sound.

On models equipped with an Automatic Ice Maker

## Sears Service



"We Service What We Sell" is our assurance you can depend on Sears for service and Sears service is nationwide. Your refrigerator has added value when you consider that Sears has service units nationwide, staffed with professional technicians specifically trained on Sears appliances and having parts, tools and equipment to insure that we meet our pledge to you. "We Service What We Sell."

### Sears Maintenance Agreement

Maintain the value of your Kenmore® refrigerator with a Sears Maintenance Agreement. Sears refrigerators are designed, manufactured, and tested for years of dependable operation. Yet, any modern appliance may require service from time to time.

The Sears Maintenance Agreement

- Is your way to buy tomorrow's service at today's price
- Eliminates repair bills resulting from normal use
- Allows for as many service calls as required
- Provides for service by professional Sears-trained technicians
- Offers an annual preventive maintenance check-up at your request

This maintenance agreement does not cover original installation, reinstallation, or damage resulting from external causes such as acts of God, abuse, theft, fire, flood, wind, lightning, freezing, power failure, power reduction, etc. Please ask a salesperson to see the agreement for all of the terms and conditions.

## Refrigerator Warranty

### Full One-Year Warranty on Refrigerator

For one year from date of purchase, when this refrigerator is operated and maintained according to the instructions provided in this Owner's Guide, Sears will repair this refrigerator, free of charge, if defective in material or workmanship.

### Full Five-Year Warranty on Sealed Refrigeration System

For five years from the date of purchase, when this refrigerator is operated and maintained according to the instructions provided in this Owner's Guide, Sears will repair the sealed system (consisting of refrigerant, connecting tubing, and compressor motor), free of charge, if defective in material or workmanship.

The above warranty coverage applies only to refrigerators which are used for storage of food for private household purposes.

Warranty service is available by contacting the NEAREST SEARS SERVICE CENTER/DEPARTMENT in the United States or call 1-800-4-REPAIR. For parts, call 1-800-FON-PART.

This warranty gives you specific legal rights, and you may have other rights which vary from state to state.

**SEARS, ROEBUCK and CO.**  
3333 Beverly Road  
Hoffman Estates, IL 60179