

Owner's Manual

 **Husqvarna**

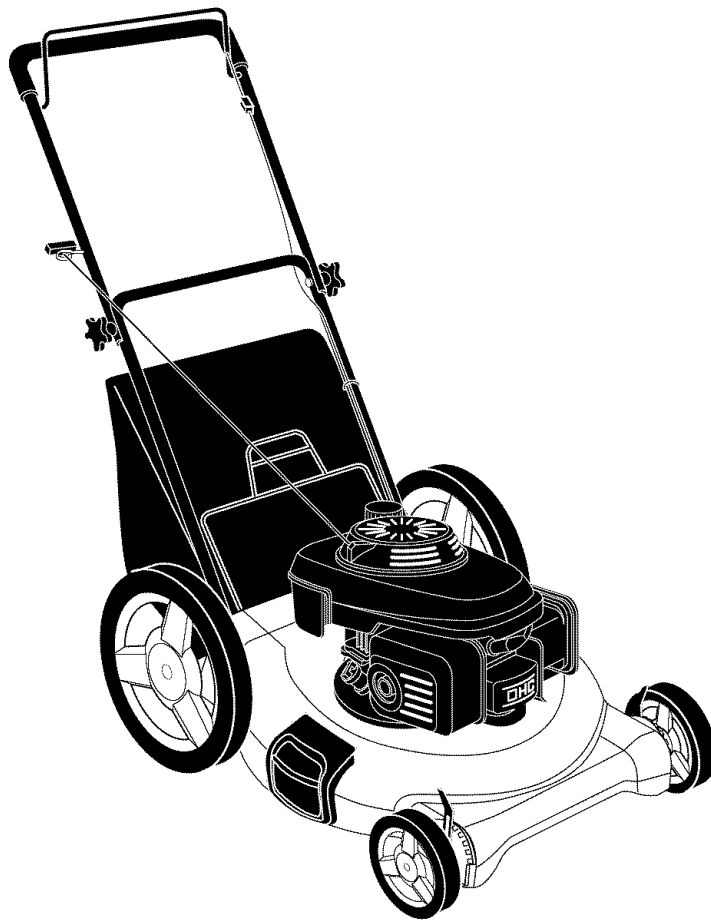
ROTARY LAWN MOWER

160cc Honda Engine

21" Multi-Cut

Model No.

917.384501



• Español, p. 19

CAUTION:

Read and follow all
Safety Rules and Instructions
before operating this equipment

Husqvarna, Charlotte, NC 28269 U.S.A.

Visit our website: www.husqvarna.com

TABLE OF CONTENTS

| | | | |
|--------------------------------|------|-------------------------------|-------|
| Warranty | 4 | Maintenance | 11-14 |
| Safety Rules | 2-3 | Service and Adjustments | 14-15 |
| Product Specifications | 5 | Storage | 15-16 |
| Assembly / Pre-Operation | 6 | Troubleshooting | 16-17 |
| Operation | 7-10 | Repair Parts | 34-39 |
| Maintenance Schedule | 11 | | |

SAFETY RULES

IMPORTANT: This cutting machine is capable of amputating hands and feet and throwing objects. Failure to observe the following safety instructions could result in serious injury or death.

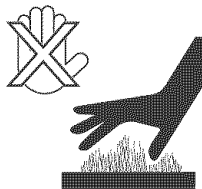
⚠ Look for this symbol to point out important safety precautions. It means **CAUTION!!! BECOME ALERT!!! YOUR SAFETY IS INVOLVED.**

⚠ WARNING: In order to prevent accidental starting when setting up, transporting, adjusting or making repairs, always disconnect spark plug wire and place wire where it cannot come in contact with plug.

⚠ WARNING: Engine exhaust, some of its constituents, and certain vehicle components contain or emit chemicals known to the State of California to cause cancer and birth defects or other reproductive harm.

⚠ WARNING: Battery posts, terminals and related accessories contain lead and lead compounds, chemicals known to the State of California to cause cancer and birth defects or other reproductive harm. **Wash hands after handling.**

⚠ CAUTION: Muffler and other engine parts become extremely hot during operation and remain hot after engine has stopped. To avoid severe burns on contact, stay away from these areas.



- Do not operate the mower when barefoot or wearing open sandals. Always wear substantial foot wear.
- Do not pull mower backwards unless absolutely necessary. Always look down and behind before and while moving backwards.
- Never direct discharged material toward anyone. Avoid discharging material against a wall or obstruction. Material may ricochet back toward the operator. Stop the blade when crossing gravel surfaces.
- Do not operate the mower without proper guards, plates, grass catcher or other safety protective devices in place.
- See manufacturer's instructions for proper operation and installation of accessories. Only use accessories approved by the manufacturer.
- Stop the blade(s) when crossing gravel drives, walks, or roads.
- Stop the engine (motor) whenever you leave the equipment, before cleaning the mower or unclogging the chute.
- Shut the engine (motor) off and wait until the blade comes to complete stop before removing grass catcher.
- Mow only in daylight or good artificial light.
- Do not operate the machine while under the influence of alcohol or drugs.
- Never operate machine in wet grass. Always be sure of your footing: keep a firm hold on the handle; walk, never run.
- Disengage the self-propelled mechanism or drive clutch on mowers so equipped before starting the engine.
- If the equipment should start to vibrate abnormally, stop the engine (motor) and check immediately for the cause. Vibration is generally a warning of trouble.
- Always wear safety goggles or safety glasses with side shields when operating mower.

I. GENERAL OPERATION

- Read, understand, and follow all instructions on the machine and in the manual(s) before starting. Be thoroughly familiar with the controls and the proper use of the machine before starting.
- Do not put hands or feet near or under rotating parts. Keep clear of the discharge opening at all times.
- Only allow responsible individuals, who are familiar with the instructions, to operate the machine.
- Clear the area of objects such as rocks, toys, wire, bones, sticks, etc., which could be picked up and thrown by blade.
- Be sure the area is clear of other people before mowing. Stop the machine if anyone enters the area.

II. SLOPE OPERATION

Slopes are a major factor related to slip & fall accidents which can result in severe injury. All slopes require extra caution. If you feel uneasy on a slope, do not mow it.

DO:

- Mow across the face of slopes: never up and down. Exercise extreme caution when changing direction on slopes.
- Remove obstacles such as rocks, tree limbs, etc.
- Watch for holes, ruts, or bumps. Tall grass can hide obstacles.

DO NOT:

- Do not trim near drop-offs, ditches or embankments. The operator could lose footing or balance.
- Do not trim excessively steep slopes.
- Do not mow on wet grass. Reduced footing could cause slipping.

III. CHILDREN

Tragic accidents can occur if the operator is not alert to the presence of children. Children are often attracted to the machine and the mowing activity. *Never* assume that children will remain where you last saw them.

- Keep children out of the trimming area and under the watchful care of another responsible adult.
- Be alert and turn machine off if children enter the area.
- Before and while walking backwards, look behind and *down* for small children.
- Never allow children to operate machine.
- Use extra care when approaching blind corners, shrubs, trees, or other objects that may obscure vision.

IV. SAFE HANDLING OF GASOLINE

Use extreme care in handling gasoline. Gasoline is extremely flammable and the vapors are explosive.

- Extinguish all cigarettes, cigars, pipes and other sources of ignition.
- Use only an approved container.
- Never remove gas cap or add fuel with the engine running. Allow engine to cool before refueling.
- Never refuel the machine indoors.
- Never store the machine or fuel container where there is an open flame, spark or pilot light such as a water heater or on other appliances.
- Never fill containers inside a vehicle, on

a truck or trailer bed with a plastic liner. Always place containers on the ground away from your vehicle before filling.

- Remove gas-powered equipment from the truck or trailer and refuel it on the ground. If this is not possible, then refuel such equipment with a portable container, rather than from a gasoline dispenser nozzle.
- Keep the nozzle in contact with the rim of the fuel tank or container opening at all times until fueling is complete. Do not use a nozzle lock-open device.
- If fuel is spilled on clothing, change clothing immediately.
- Never overfill fuel tank. Replace gas cap and tighten securely.

V. GENERAL SERVICE

- Never run machine inside a closed area.
- Never make adjustments or repairs with the engine (motor) running. Disconnect the spark plug wire, and keep the wire away from the plug to prevent accidental starting.
- Keep nuts and bolts, especially blade attachment bolts, tight and keep equipment in good condition.
- Never tamper with safety devices. Check their proper operation regularly.
- Keep machine free of grass, leaves, or other debris build-up. Clean oil or fuel spillage. Allow machine to cool before storing.
- Stop and inspect the equipment if you strike an object. Repair, if necessary, before restarting.
- Never attempt to make wheel height adjustments while the engine is running.
- Grass catcher components are subject to wear, damage, and deterioration, which could expose moving parts or allow objects to be thrown. Frequently check components and replace with manufacturer's recommended parts, when necessary.
- Mower blades are sharp and can cut. Wrap the blade(s) or wear gloves, and use extra caution when servicing them.
- Do not change the engine governor setting or overspeed the engine.
- Maintain or replace safety and instruction labels, as necessary.

⚠WARNING: This lawn mower is equipped with an internal combustion engine and should not be used on or near any unimproved forest-covered, brush-covered or grass-covered land unless the engine's exhaust system is equipped with a spark arrester meeting applicable local or state laws (if any). If a spark arrester is used, it should be maintained in effective working order by the operator. In the state of California the above is required by law (Section 4442 of the California Public Resources Code). Other states may have similar laws. Federal laws apply on federal lands. A spark arrester for the muffler is available through your nearest Husqvarna or other authorized service center (See the REPAIR PARTS section of this manual).

WARRANTY

SECTION 1: LIMITED WARRANTY

Husqvarna Forest & Garden Company ("Husqvarna") warrants Husqvarna product to the original purchaser to be free from defects in material and workmanship from the date of purchase for the "Warranty Period" of the product as set forth below:

2 YEAR NON-COMMERCIAL WARRANTY: Automatic Mower, Riding lawn mowers, yard and garden tractors, walk behind mowers, tillers, chain saws, trimmers, brushcutters, clearing saws, snow blowers, handheld blowers, backpack blowers, hedge trimmers, electrical products and power-assist collection systems for noncommercial, nonprofessional, noninstitutional or nonincome producing use, except as herein stated.

Emission control system components necessary to comply with CARB-TIER-II and EPA regulations.

Husqvarna Safety Apparel carries a 90-day warranty from the date of the customer's original purchase for defects in material and workmanship. Normal wear, tear or abuse is not covered under warranty. Product must be returned to Charlotte with a warranty claim form. All care and maintenance instructions must be followed as stated by the manufacturer on the care label. The fit of the protective apparel/boot is not covered under warranty.

SECTION 2: HUSQVARNA'S OBLIGATIONS UNDER THE WARRANTY

Husqvarna will repair or replace defective components without charge for parts or labor if a component fails because of a defect in material or workmanship during the warranty period.

SECTION 3: ITEMS NOT COVERED BY THIS WARRANTY

The following items are not covered by this warranty:

- (1) Normal customer maintenance items which become worn through normal regular use, including, but not limited to, belts, blades, blade adapters, bulbs, filters, guide bars, lubricants, rewind springs, saw chain, spark plugs, starter ropes and tines;
- (2) Natural discoloration of material due to ultraviolet light;
- (3) Lawn and garden attachments are covered by a third party which gives a warranty, all claims for warranty should be sent to the manufacturer; and
- (4) Emission Control System components necessary to which are manufactured by third party engine manufacturer.

SECTION 4: EXCEPTIONS AND LIMITATIONS

This warranty shall be inapplicable to defects resulting from the following:

- (1) Accident, abuse, misuse, negligence and neglect, including stale fuel, dirt, abrasives, moisture, rust, corrosion, or any adverse reaction due to incorrect storage or use habits;
- (2) Failure to operate or maintain the unit in accordance with the Owner's/Operator's manual or instruction sheet furnished by Husqvarna;
- (3) Alterations or modifications that change the intended use of the product or affects the product's performance, operation, safety, or durability, or causes the product to fail to comply with any applicable laws; or:

- (4) Additional damage to parts or components due to continued use occurring after any of the above.

REPAIR OR REPLACEMENT AS PROVIDED UNDER THIS WARRANTY IS THE EXCLUSIVE REMEDY OF THE PURCHASER. HUSQVARNA SHALL NOT BE LIABLE FOR ANY INCIDENTAL OR CONSEQUENTIAL DAMAGES FOR BREACH OF ANY EXPRESS OR IMPLIED WARRANTY ON THESE PRODUCTS EXCEPT TO THE EXTENT PROHIBITED BY APPLICABLE LAW. ANY IMPLIED WARRANTY OF MERCHANTABILITY OR FITNESS FOR A PARTICULAR PURPOSE ON THESE PRODUCTS IS LIMITED IN DURATION TO THE WARRANTY PERIOD AS DEFINED IN THE LIMITED WARRANTY STATEMENT. HUSQVARNA RESERVES THE RIGHT TO CHANGE OR IMPROVE THE DESIGN OF THE PRODUCT WITHOUT NOTICE, AND DOES NOT ASSUME OBLIGATION TO UPDATE PREVIOUSLY MANUFACTURED PRODUCTS.

Some states do not allow the exclusion of incidental or consequential damages, or limitations on how long an implied warranty lasts, so the above limitations or exclusions may not apply to you. This warranty gives you specific legal rights, and you may also have other rights which vary from state to state.

SECTION 5: CUSTOMER RESPONSIBILITIES

The product must exhibit reasonable care, maintenance, operation, storage and general upkeep as written in the maintenance section of the Owner's/Operator's manual. Should an operational problem or failure occur, the product should not be used, but delivered as is to an authorized Husqvarna dealer for evaluation. Proof of purchase, as explained in section 6, rests solely with the customer.

SECTION 6: PROCEDURE TO OBTAIN WARRANTY CONSIDERATION

It is the Owner's and Dealer's responsibility to make certain that the Warranty Registration Card is properly filled out and mailed to Husqvarna Forest & Garden Company. This card should be mailed within ten (10) days from the date of purchase in order to confirm the warranty and to facilitate post-sale service.

Proof of purchase must be presented to the authorized Husqvarna dealer in order to obtain warranty service. This proof must include date purchased, model number, serial number, and complete name and address of the selling dealer.

To obtain the benefit of this warranty, the product believed to be defective must be delivered to an authorized Husqvarna dealer in a timely manner, no later than thirty (30) days from date of the operational problem or failure. The product must be delivered at the owner's expense. Pick-up and delivery charges are not covered by this warranty. An authorized Husqvarna dealer can be normally located through the "Yellow Pages" of the local telephone directory or by calling 1-800-HUSKY62 for a dealer in your area.

HUSQVARNA
7349 Statesville Road
Charlotte, NC 28269
531 83 81-23 2002


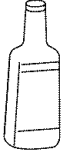
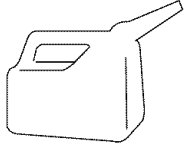
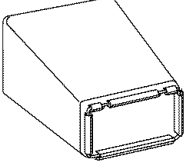
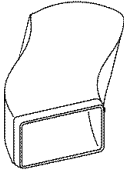
PRODUCT SPECIFICATIONS

| | |
|--|-------------------------------------|
| Serial Number: | |
| Date of Purchase: | |
| Gasoline Capacity / Type: | 1.0 Quarts (Unleaded Regular) |
| Oil Capacity: | 18.5 Ounces |
| Oil Type (API SG-SL): | SAE 30 (above 32°F) or SAE 10W-30 |
| Spark Plug (Gap: .030") | NGK BPR6ES |
| Valve Clearance (± 0.04 mm): | Intake: 0.015 mm; Exhaust: 0.020 mm |
| Blade Bolt Torque: | 35–40 ft. lbs. |
| <ul style="list-style-type: none"> The model and serial numbers will be found on a decal on the rear of the lawn mower housing. Record both serial number and date of purchase in space provided above. | |


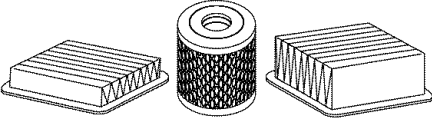
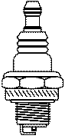
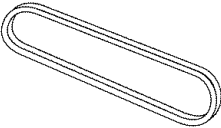
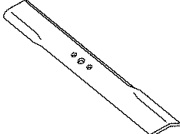
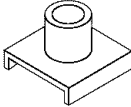

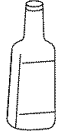
ACCESSORIES

These accessories were available when this lawn mower was produced. **They are not shipped with your mower.** They are also available at most Husqvarna retailers and service centers. Some of these accessories may not apply to your lawn mower.

LAWN MOWER PERFORMANCE

| | | | | | |
|---|--|--|---|--|-----------------|
|  | CLIPPING DEFLECTORS FOR REAR DISCHARGE LAWN MOWERS |  | STABILIZER |  | GAS CANS |
|  | GRASS CATCHERS FOR REAR DISCHARGE LAWN MOWERS |  | GRASS CATCHERS FOR SIDE DISCHARGE LAWN MOWERS | | |

LAWN MOWER MAINTENANCE

| | | | | | |
|---|-----------------|---|--------------------|---|-----------------------|
|  | MUFFLERS |  | AIR FILTERS |  | SPARK PLUGS |
|  | BELTS |  | BLADES |  | BLADE ADAPTERS |
| | |  | WHEELS |  | ENGINE OIL |

ASSEMBLY / PRE-OPERATION

Read these instructions and this manual in its entirety before you attempt to assemble or operate your new lawn mower.

IMPORTANT: This lawn mower is shipped WITHOUT OIL OR GASOLINE in the engine.

Your new lawn mower has been assembled at the factory with the exception of those parts left unassembled for shipping purposes. To ensure safe and proper operation of your lawn mower, all parts and hardware you assemble must be tightened securely. Use the correct tools as necessary to ensure proper tightness. All parts such as nuts, washers, bolts, etc., necessary to complete the assembly have been placed in the parts bag.

TO REMOVE LAWN MOWER FROM CARTON

1. Remove loose parts included with mower.
2. Cut down two end corners of carton and lay end panel down flat.
3. Remove all packing materials except padding between upper and lower handle and padding holding operator presence control bar to upper handle.
4. Roll lawn mower out of carton and check carton thoroughly for additional loose parts.

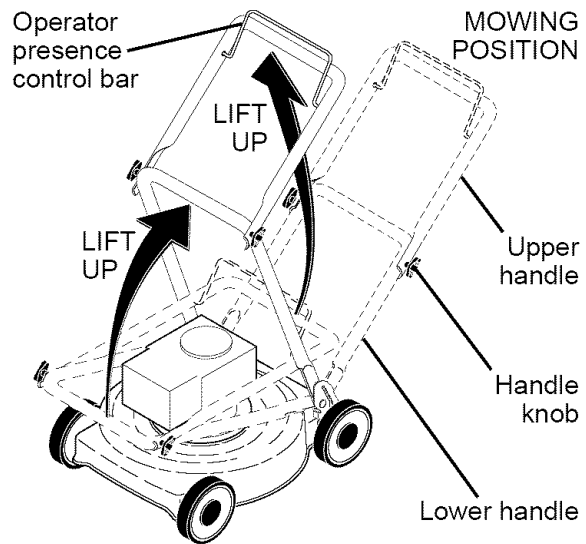
HOW TO SET UP YOUR LAWN MOWER

TO UNFOLD HANDLE

IMPORTANT: Unfold handle carefully so as not to pinch or damage control cables.

1. Raise handles until lower handle section locks into place in mowing position.
2. Remove protective padding, raise upper handle section into place on lower handle and tighten both handle knobs.
3. Remove handle padding holding operator presence control bar to upper handle.

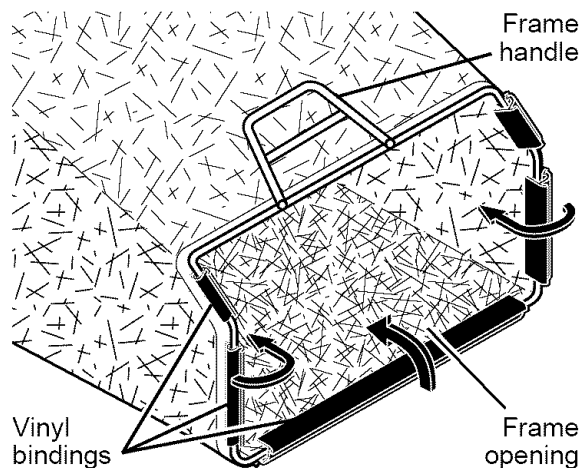
Your lawn mower handle can be adjusted for your mowing comfort. Refer to "ADJUST HANDLE" in the Service and Adjustments section of this manual.



TO ASSEMBLE GRASS CATCHER

1. Put grass catcher frame into grass bag with rigid part of bag on the bottom. Make sure the frame handle is outside of the bag top.
2. Slip vinyl bindings over frame.

NOTE: If vinyl bindings are too stiff, hold them in warm water for a few minutes. If bag gets wet, let it dry before using.



TO INSTALL ATTACHMENTS

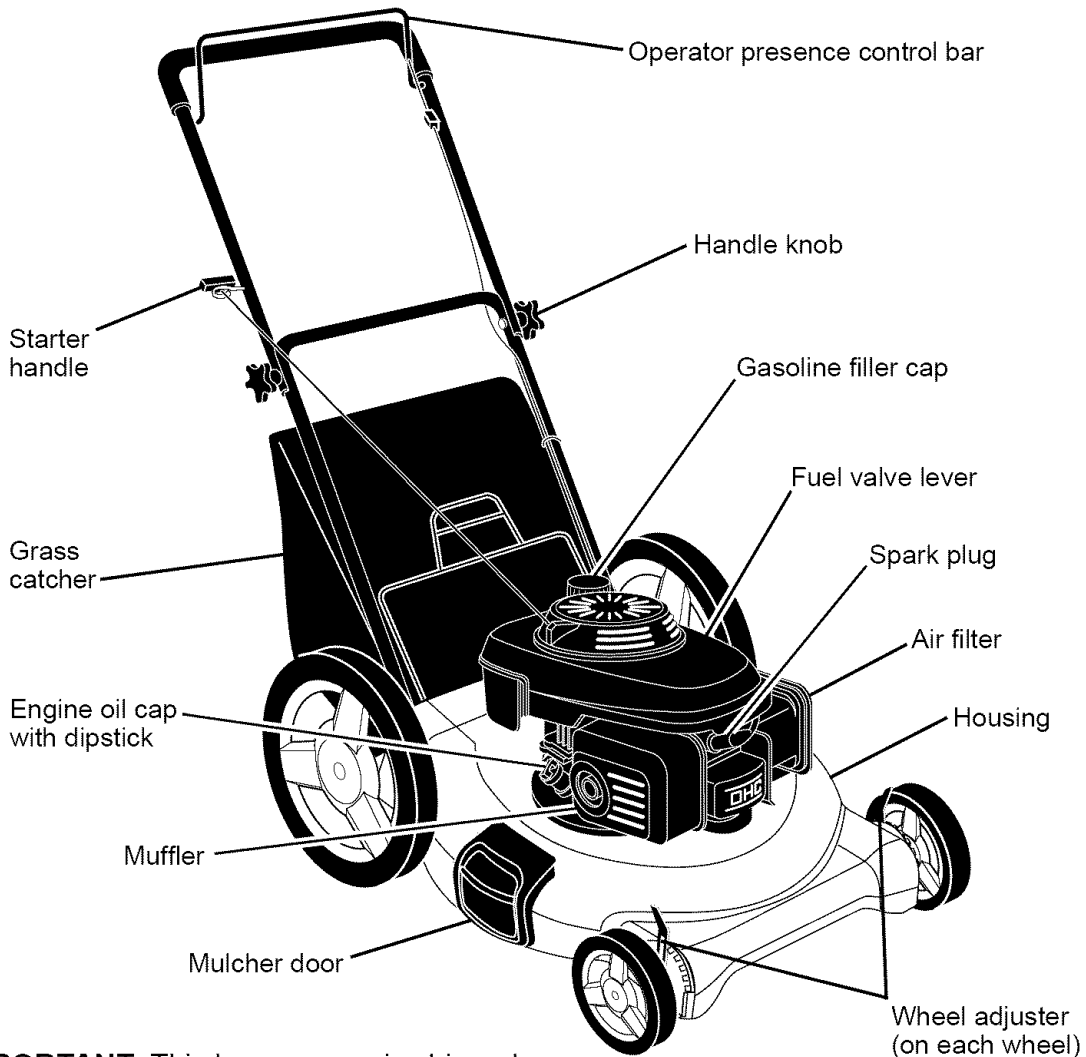
Your lawn mower was shipped ready to be used as a mulcher. To convert to bagging or discharging, see "TO CONVERT MOWER" in the Operation section of this manual.

OPERATION

KNOW YOUR LAWN MOWER

READ THIS OWNER'S MANUAL AND ALL SAFETY RULES BEFORE OPERATING YOUR LAWN MOWER. Compare the illustrations with your lawn mower to familiarize yourself with the location of various controls and adjustments. Save this manual for future reference.

These symbols may appear on your lawn mower or in literature supplied with the product. Learn and understand their meaning.



IMPORTANT: This lawn mower is shipped WITHOUT OIL OR GASOLINE in the engine.

MEETS CPSC SAFETY REQUIREMENTS

Sears rotary walk-behind power lawn mowers conform to the safety standards of the American National Standards Institute and the U.S. Consumer Product Safety Commission. The blade turns when the engine is running.

Operator presence control bar – must be held down to the handle to start the engine. Release to stop the engine.

Mulcher door – allows conversion to discharging or bagging operation.
Starter handle – used for starting engine.



The operation of any lawn mower can result in foreign objects thrown into the eyes, which can result in severe eye damage. Always

wear safety glasses or eye shields while operating your lawn mower or performing any adjustments or repairs. We recommend a standard safety glasses or wide vision safety mask worn over spectacles.

HOW TO USE YOUR LAWN MOWER ENGINE SPEED

Engine speed was set at the factory for optimum performance. It is not adjustable.

ENGINE ZONE CONTROL

CAUTION: Federal regulations require an engine control to be installed on this lawn mower in order to minimize the risk of blade contact injury. Do not under any circumstances attempt to defeat the function of the operator control. The blade turns when the engine is running.

- Your lawn mower is equipped with an operator presence control bar which requires the operator to be positioned behind the lawn mower handle to start and operate the lawn mower.

TO ADJUST CUTTING HEIGHT

Raise wheels for low cut and lower wheels for high cut, adjust cutting height to suit your requirements. Medium position is best for most lawns.

- To change cutting height, squeeze adjuster lever toward wheel. Move wheel up or down to suit your requirements. Be sure all wheels are in the same setting.

NOTE: Adjuster is properly positioned when plate tab inserts into hole in lever. Also, 9-position adjusters (if so equipped) allow lever to be positioned between the plate tabs.

LEVER BACKWARD TO LOWER MOWER

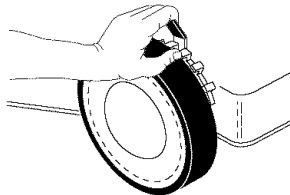
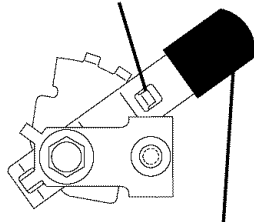


Plate tab



LEVER FORWARD TO RAISE MOWER Lever

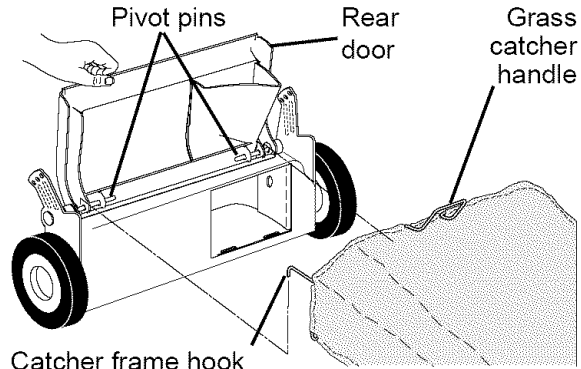
TO CONVERT MOWER

Your lawn mower was shipped ready to be used as a mulcher. To convert to bagging or discharging:

REAR BAGGING

- Lift rear door of the lawn mower and place the grass catcher frame hooks onto the door pivot pins.

- To convert to mulching or discharging operation, remove grass catcher and close rear door.



SIDE DISCHARGING

- Rear door must be closed.
- Open mulcher door and install discharge deflector under door as shown.
- Mower is now ready for discharging operation.
- To convert to mulching or bagging operation, discharge deflector must be removed and mulcher door must be closed.

SIMPLE STEPS TO REMEMBER WHEN CONVERTING YOUR LAWN MOWER

FOR MULCHING -

1. Rear door closed.
2. Mulcher door closed.

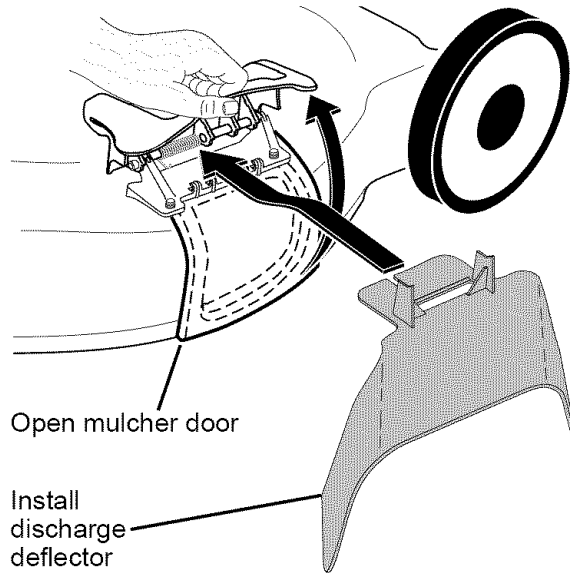
FOR REAR BAGGING -

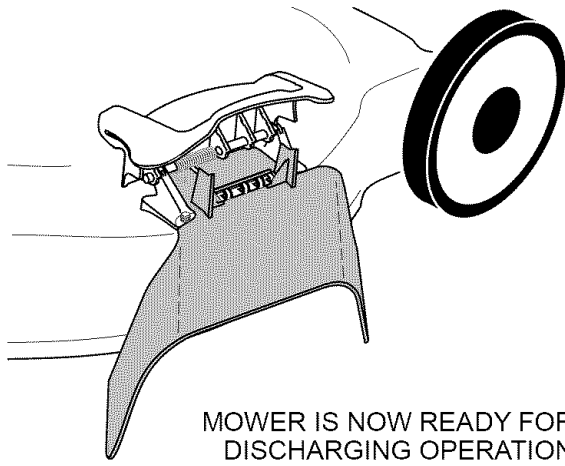
1. Grass catcher installed.
2. Mulcher door closed.

FOR SIDE DISCHARGING -

1. Rear door closed.
2. Discharge deflector installed.

CAUTION: Do not run your lawn mower without rear door closed, clipping deflector or approved grass catcher in place. Never attempt to operate the lawn mower with the rear door removed or propped open.

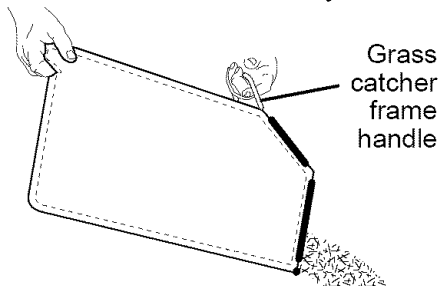




TO EMPTY GRASS CATCHER

1. Lift up on grass catcher using the frame handle.
2. Remove grass catcher with clippings from under lawn mower handle.
3. Empty clippings from bag.

NOTE: Do not drag the bag when emptying; it will cause unnecessary wear.



BEFORE STARTING ENGINE

ADD OIL

Your lawnmower is shipped without oil in the engine. For type and grade of oil to use, see "ENGINE" in the Maintenance section of this manual.

CAUTION: DO NOT overfill engine with oil, or it will smoke on startup.

1. Be sure lawnmower is level.
2. Remove oil fill cap/dipstick from spout.
3. You receive a container of oil with the unit. Slowly pour the entire container down the oil fill spout into the engine.
4. Insert and tighten oil fill cap/dipstick.

IMPORTANT:

- Check oil level before each use. Add oil if needed. Fill to full line on dipstick.
- Change the oil after every 25 hours of operation or each season. You may need to change the oil more often under dusty, dirty conditions. See "TO CHANGE ENGINE OIL" in the Maintenance section of this manual.

ADD GASOLINE

- Fill fuel tank to bottom of tank filler neck. Do not overfill. Use fresh, clean, regular unleaded gasoline with a minimum of

87 octane. Do not mix oil with gasoline. Purchase fuel in quantities that can be used within 30 days to assure fuel freshness.

CAUTION: Wipe off any spilled oil or fuel. Do not store, spill or use gasoline near an open flame.

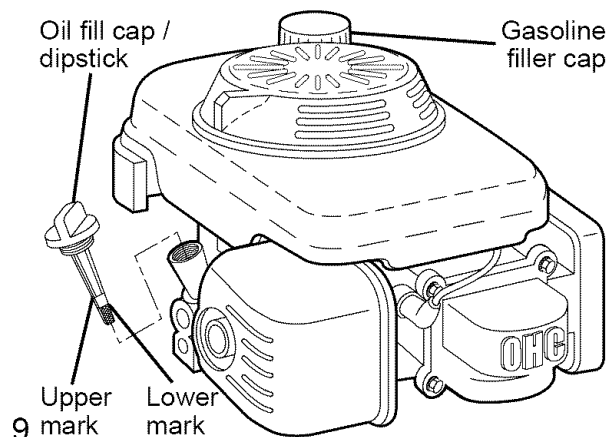
CAUTION: Alcohol blended fuels (called gasohol or using ethanol or methanol) can attract moisture which leads to separation and formation of acids during storage. Acidic gas can damage the fuel system of an engine while in storage. To avoid engine problems, the fuel system should be emptied before storage of 30 days or longer. Empty the gas tank, start the engine and let it run until the fuel lines and carburetor are empty. Use fresh fuel next season. See Storage Instructions for additional information. Never use engine or carburetor cleaner products in the fuel tank or permanent damage may occur.

ADD GASOLINE

- Fill fuel tank to bottom of tank filler neck. Do not overfill. Use fresh, clean, regular unleaded gasoline with a minimum of 87 octane. Do not mix oil with gasoline. Purchase fuel in quantities that can be used within 30 days to assure fuel freshness.

CAUTION: Wipe off any spilled oil or fuel. Do not store, spill or use gasoline near an open flame.

CAUTION: Alcohol blended fuels (called gasohol or using ethanol or methanol) can attract moisture which leads to separation and formation of acids during storage. Acidic gas can damage the fuel system of an engine while in storage. To avoid engine problems, the fuel system should be emptied before storage of 30 days or longer. Empty the gas tank, start the engine and let it run until the fuel lines and carburetor are empty. Use fresh fuel next season. See Storage Instructions for additional information. Never use engine or carburetor cleaner products in the fuel tank or permanent damage may occur.



TO STOP ENGINE

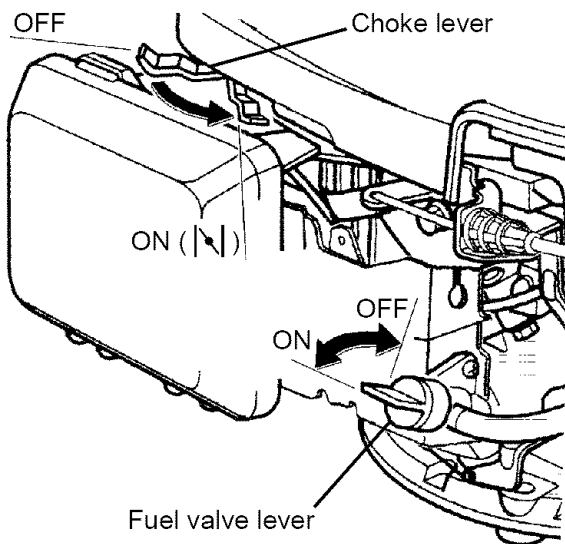
- To stop engine, release operator presence control bar. Wait until blade and all moving parts have stopped and turn fuel valve to OFF position if you do not intend to restart the engine soon.

TO START ENGINE

NOTE: Due to protective coatings on the engine, a small amount of smoke may be present during the initial use of the product and should be considered normal.

1. Be sure fuel valve is in the ON position.
2. Move choke lever to ON (|N|) position.
3. Hold operator presence control bar down to the handle and pull starter handle quickly. Do not allow starter rope to snap back.

NOTE: The choke lever automatically begins moving to the OFF position when operator presence control bar is held down to handle.



MOWING TIPS

⚠ CAUTION: Do not use de-thatcher blade attachments on your mower. Such attachments are hazardous, will damage your mower and could void your warranty.

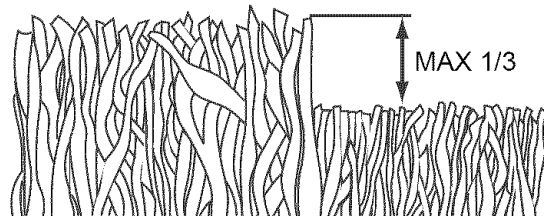
- Under certain conditions, such as very tall grass, it may be necessary to raise the height of cut to reduce pushing effort and to keep from overloading the engine and leaving clumps of grass clippings. It may also be necessary to reduce ground speed and/or run the lawn mower over the area a second time.
- For extremely heavy cutting, reduce the width of cut by overlapping previously cut path and mow slowly.
- For better grass bagging and most cutting conditions, the engine speed should be set in the FAST position.

- Pores in cloth grass catchers can become filled with dirt and dust with use and catchers will collect less grass. To prevent this, regularly hose catcher off with water and let dry before using.
- Keep top of engine around starter clear and clean of grass clippings and chaff. This will help engine air flow and extend engine life.

MULCHING MOWING TIPS

IMPORTANT: For best performance, keep mower housing free of built-up grass and trash. See "CLEANING" in the Maintenance section of this manual.

- The special mulching blade will recut the grass clippings many times and reduce them in size so that as they fall onto the lawn they will disperse into the grass and not be noticed. Also, the mulched grass will biodegrade quickly to provide nutrients for the lawn. Always mulch with your highest engine (blade) speed as this will provide the best recutting action of the blades.
- Avoid cutting your lawn when it is wet. Wet grass tends to form clumps and interferes with the mulching action. The best time to mow your lawn is the early afternoon. At this time the grass has dried, yet the newly cut area will not be exposed to direct sunlight.
- For best results, adjust the lawn mower cutting height so that the lawn mower cuts off only the top one-third of the grass blades. If the lawn is overgrown it will be necessary to raise the height of cut to reduce pushing effort and to keep from overloading the engine and leaving clumps of mulched grass. For extremely heavy grass, reduce your width of cut by overlapping previously cut path and mow slowly.



- Certain types of grass and grass conditions may require that an area be mulched a second time to completely hide the clippings. When doing a second cut, mow across (perpendicular) to the first cut path.
- Change your cutting pattern from week to week. Mow north to south one week then change to east to west the next week. This will help prevent matting and graining of the lawn.

MAINTENANCE

| MAINTENANCE SCHEDULE | | BEFORE EACH USE | AFTER EACH USE | EVERY 10 HOURS | EVERY 25 HOURS OR SEASON | EVERY 100 HOURS | BEFORE STORAGE |
|-----------------------------|-------------------------------------|-----------------|----------------|----------------|--------------------------|-----------------|----------------|
| LAWN MOWER | Check for Loose Fasteners | ✓ | | | | | ✓ |
| | Clean / Inspect Grass Catcher * | ✓ | ✓ | | | | ✓ |
| | Check Tires | ✓ | | | | | |
| | Check Drive Wheels *** | ✓ | | | | | |
| | Clean Lawn Mower **** | | ✓ | | | | ✓ |
| | Clean under Drive Cover *** | | | ✓ | | | |
| | Check Drive Belt / Pulleys *** | | | | ✓ | | |
| | Check / Sharpen / Replace Blade | | | | ✓ ₃ | | |
| | Lubrication | | | | ✓ | | |
| | Clean and Recharge Battery ** | | | | ✓ | | ✓ ₄ |
| ENGINE | Check Engine Oil level | ✓ ₅ | | | | | |
| | Change Engine Oil | | | | ✓ _{1,2} | | |
| | Clean Air Filter | | | | ✓ ₂ | | |
| | Inspect Muffler | | | | ✓ | | |
| | Replace Spark Plug | | | | | ✓ | |
| | Replace Air Filter Paper Cartridge | | | | | ✓ ₂ | |
| | Empty fuel system or add Stabilizer | | | | | | ✓ |

- * (if so equipped)
- ** Electric-Start mowers
- *** Power-Propelled mowers
- **** Use a scraper to clean under deck
- 1 - Change more often if operating under a heavy load or in high outdoor temperatures.
- 2 - Service more often if operating in dirty or dusty conditions.
- 3 - Replace blades more often when mowing in sandy soil.
- 4 - Charge 48 hours at end of season.
- 5 - And after each 5 hours of use.

GENERAL RECOMMENDATIONS

The warranty on this lawn mower does not cover items that have been subjected to operator abuse or negligence. To receive full value from the warranty, operator must maintain unit as instructed in this manual.

Some adjustments will need to be made periodically to properly maintain your unit.

At least once a season, check to see if you should make any of the adjustments described in the Service and Adjustments section of this manual.

- At least once a year, replace the spark plug, clean or replace air filter element and check blade for wear. A new spark plug and clean/new air filter element assure proper air-fuel mixture and help your engine run better and last longer.
- Follow the maintenance schedule in this manual.

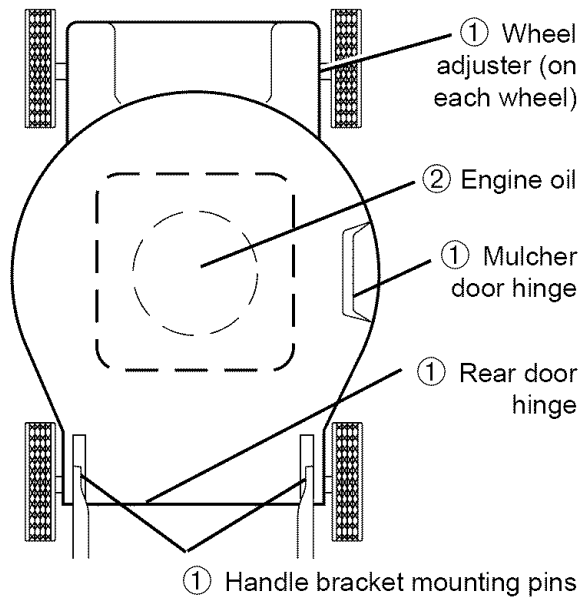
BEFORE EACH USE

- Check engine oil level.
- Check for loose fasteners.

LUBRICATION

Keep unit well lubricated (See "LUBRICATION CHART").

LUBRICATION CHART



- ① Spray lubricant
- ② See "ENGINE" in Maintenance section.

IMPORTANT: Do not oil or grease plastic wheel bearings. Viscous lubricants will attract dust and dirt that will shorten the life of the self-lubricating bearings. If you feel they must be lubricated, use only a dry, powdered graphite type lubricant sparingly.

LAWN MOWER

Always observe safety rules when performing any maintenance.

TIRES

- Keep tires free of gasoline, oil, or insect control chemicals which can harm rubber.
- Avoid stumps, stones, deep ruts, sharp objects and other hazards that may cause tire damage.

BLADE CARE

For best results, mower blade must be kept sharp. Replace bent or damaged blades.

⚠ CAUTION: Use only a replacement blade approved by the manufacturer of your mower. Using a blade not approved by the manufacturer of your mower is hazardous, could damage your mower and void your warranty.

TO REMOVE BLADE

1. Disconnect spark plug wire from spark plug and place wire where it cannot come in contact with plug.
2. Turn lawn mower on its side. Make sure air filter and carburetor are up.
3. Use a wood block between blade and mower housing to prevent blade from turning when removing blade bolt.

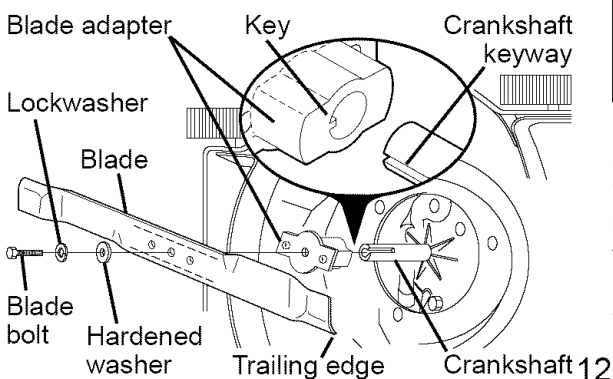
NOTE: Protect your hands with gloves and/or wrap blade with heavy cloth.

4. Remove blade bolt by turning counter-clockwise.
5. Remove blade and attaching hardware (bolt, lock washer and hardened washer).

TO REPLACE BLADE

1. Position blade on the blade adapter aligning the two (2) holes in the blade with the raised lugs on the adapter.
2. Be sure the trailing edge of blade (opposite sharp edge) is up toward the engine.
3. Install the blade bolt with the lock washer and hardened washer into blade adapter and crankshaft.
4. Use block of wood between blade and lawn mower housing and tighten the blade bolt, turning clockwise.

- The recommended tightening torque is 35-40 ft. lbs.



IMPORTANT: Blade bolt is heat treated. If bolt needs replacing, replace only with approved bolt shown in the Repair Parts section of this manual.

TO SHARPEN BLADE

NOTE: We do not recommend sharpening the blade - but if you do, be sure the blade is balanced. An unbalanced blade will cause eventual damage to lawn mower or engine.

- The blade can be sharpened with a file or on a grinding wheel. Do not attempt to sharpen while on the mower.
- To check blade balance, drive a nail into a beam or wall. Leave about one inch of the straight nail exposed. Place center hole of blade over the head of the nail. If blade is balanced, it should remain in a horizontal position. If either end of the blade moves downward, sharpen the heavy end until the blade is balanced.

GRASS CATCHER

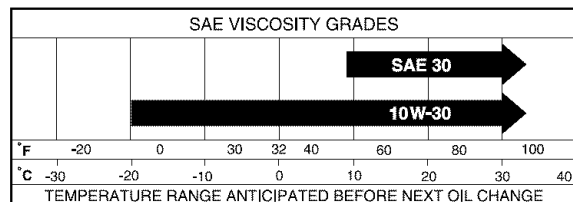
- The grass catcher may be hosed with water, but must be dry when used.
- Check your grass catcher often for damage or deterioration. Through normal use it will wear. If catcher needs replacing, replace only with approved replacement catcher shown in the Repair Parts section of this manual. Give the lawn mower model number when ordering.

ENGINE

Maintenance, repair, or replacement of the emission control devices and systems, which are being done at the customer's expense, may be performed by any non-road engine repair establishment or individual. Warranty repairs must be performed by an authorized engine manufacturer's service outlet.

LUBRICATION

Use only high quality detergent oil rated with API service classification SG-SL. Select the oil's SAE viscosity grade according to your expected operating temperature.



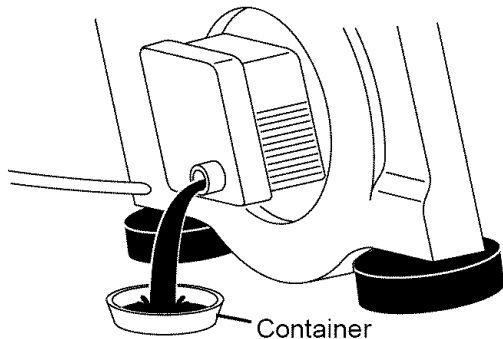
NOTE: Multi-viscosity oils (5W30, 10W30 etc.) improve starting in cold weather, and you should check your engine oil level frequently to avoid possible engine damage from running low on oil. Change the oil after every 25 hours of operation or at least once a year if the lawn mower is not used for 25 hours in one year.

Check the crankcase oil level before starting the engine and after each five (5) hours of continuous use. Tighten oil plug securely each time you check the oil level.

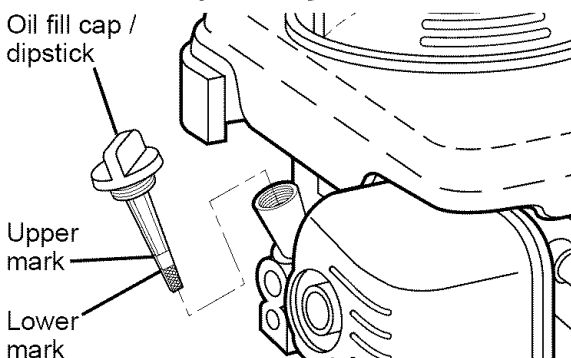
TO CHANGE ENGINE OIL

NOTE: Before tipping lawn mower to drain oil, empty fuel tank by running engine until fuel tank is empty.

1. Disconnect spark plug wire from spark plug and place wire where it cannot come in contact with plug.
2. Remove oil fill cap/dipstick; lay aside on a clean surface.
3. Tip lawn mower on its side as shown and drain oil into a suitable container. Rock lawn mower back and forth to remove any oil trapped inside of engine.



4. Wipe off any spilled oil from lawn mower or side of engine.
5. Fill engine with oil. Slowly pour oil down the oil fill spout into the engine.
6. Wait one minute to allow oil to settle. Use gauge on oil fill cap/dipstick for checking level. Insert dipstick into the tube and rest the oil fill cap on the tube. DO NOT thread the cap into the tube when taking reading.



7. Continue adding small amounts of oil and rechecking the dipstick until it reads full. DO NOT overfill, or engine will smoke on startup.
8. Always be sure to retighten oil fill cap/dipstick before starting engine.
9. Reconnect spark plug wire to plug.

AIR FILTER

Your engine will not run properly and may be damaged by using a dirty air filter.

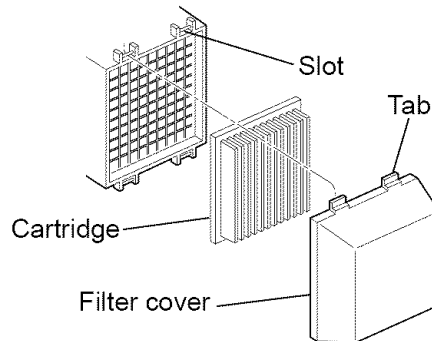
Replace the air filter every 100 hours of operation or every season, whichever occurs first. Service air cleaner more often under dusty conditions.

TO CLEAN AIR FILTER

1. Remove cover.
2. Carefully remove cartridge.
3. Clean by gently tapping on a flat surface. If very dirty, replace cartridge.

CAUTION: Petroleum solvents, such as kerosene, are not to be used to clean cartridge. They may cause deterioration of the cartridge. Do not oil cartridge. Do not use pressurized air to clean or dry cartridge.

4. Install cartridge, then replace cover.



MUFFLER

Inspect and replace corroded muffler as it could create a fire hazard and/or damage.

SPARK PLUG

Replace spark plug at the beginning of each mowing season or after every 100 hours of operation, whichever occurs first. Spark plug type and gap setting are shown in the "PRODUCT SPECIFICATIONS" section of this manual.

CLEANING

IMPORTANT: For best performance, keep mower housing free of built-up grass and trash. Clean the underside of your mower after each use.

CAUTION: Disconnect spark plug wire from spark plug and place wire where it cannot come in contact with spark plug.

- Clean the underside of your lawn mower by scraping to remove build-up of grass and trash.
- Clean engine often to keep trash from accumulating. A clogged engine runs hotter and shortens engine life.
- Keep finished surfaces and wheels free of all gasoline, oil, etc.
- We do not recommend using a garden hose to clean lawn mower unless the electrical system, muffler, air filter and carburetor are covered to keep water out. Water in engine can result in shortened engine life.

SERVICE AND ADJUSTMENTS

⚠ WARNING: To avoid serious injury, before performing any service and adjustments:

1. Release control bar and stop engine.
2. Make sure the blade and all moving parts have completely stopped.
3. Disconnect spark plug wire from spark plug and place wire where it cannot come in contact with plug.

LAWN MOWER

TO ADJUST CUTTING HEIGHT

See "TO ADJUST CUTTING HEIGHT" in the Operation section of this manual.

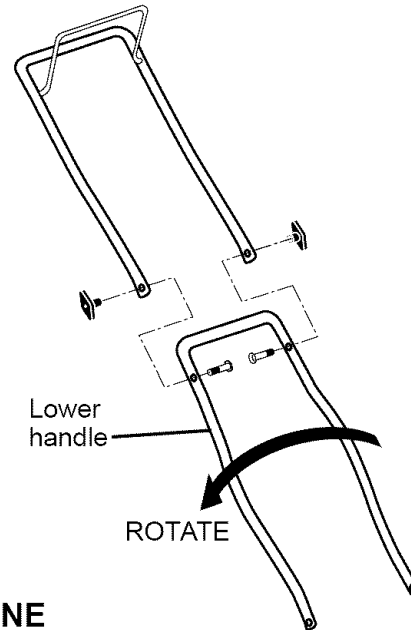
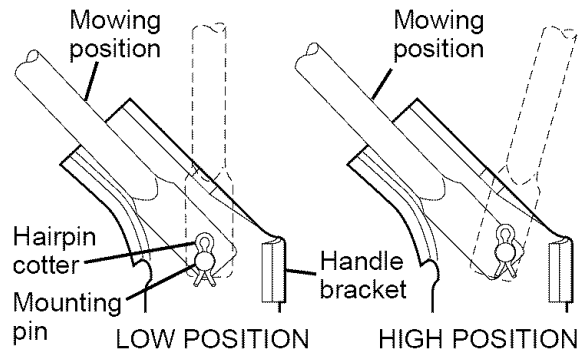
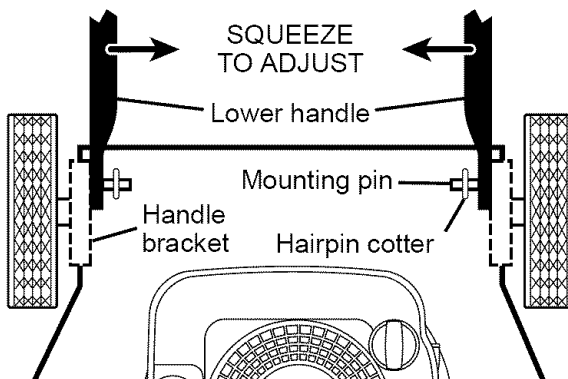
REAR DEFLECTOR

The rear deflector, attached between the rear wheels of your mower, is provided to minimize the possibility that objects will be thrown out of the rear of the mower into the operator mowing position. If the deflector becomes damaged, it should be replaced.

TO ADJUST HANDLE

The handle can be mounted in a high or low position. The mounting holes in the bottom of lower handle are off center for raising or lowering the handle.

1. Remove upper handle and all wire tie(s) securing cable(s) to lower handle.
2. Remove hairpin cotter from lower handle bracket mounting pin.
3. Squeeze lower handle in to remove it from mounting pins.
4. Turn lower handle over to raise or lower handle.
5. Squeeze lower handle in and position holes onto mounting pins on handle bracket.
6. Reassemble upper handle and all parts removed from lower handle.



ENGINE

Maintenance, repair, or replacement of the emission control devices and systems, which are being done at the customer's expense, may be performed by any non-road engine repair establishment or individual. Warranty repairs must be performed by an authorized engine manufacturer's service outlet.

ENGINE SPEED

Your engine speed has been factory set. Do not attempt to increase engine speed or it may result in personal injury. If you believe that the engine is running too fast or too slow, take your lawn mower to a qualified service center for repair and adjustment.

CARBURETOR

Your carburetor is not adjustable. If your engine does not operate properly due to suspected carburetor problems, take your lawn mower to a qualified service center for repair and/or adjustment.

IMPORTANT: Never tamper with the engine governor, which is factory set for proper engine speed. Overspeeding the engine above the factory high speed setting can be dangerous. If you think

the engine-governed high speed needs adjusting, contact a qualified service center, which has proper equipment and experience to make any necessary adjustments.

STORAGE

Immediately prepare your lawn mower for storage at the end of the season or if the unit will not be used for 30 days or more.

LAWN MOWER

When lawn mower is to be stored for a period of time, clean it thoroughly, remove all dirt, grease, leaves, etc. Store in a clean, dry area.

1. Clean entire lawn mower (See "CLEANING" in the Maintenance section of this manual).
2. Lubricate as shown in the Maintenance section of this manual.
3. Be sure that all nuts, bolts, screws, and pins are securely fastened. Inspect moving parts for damage, breakage and wear. Replace if necessary.
4. Touch up all rusted or chipped paint surfaces; sand lightly before painting.

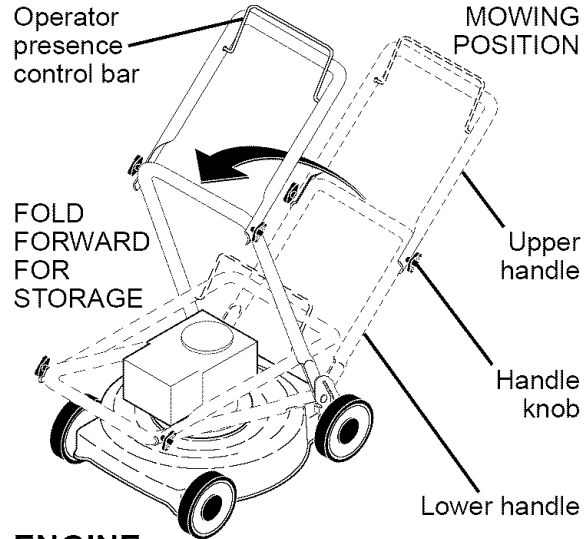
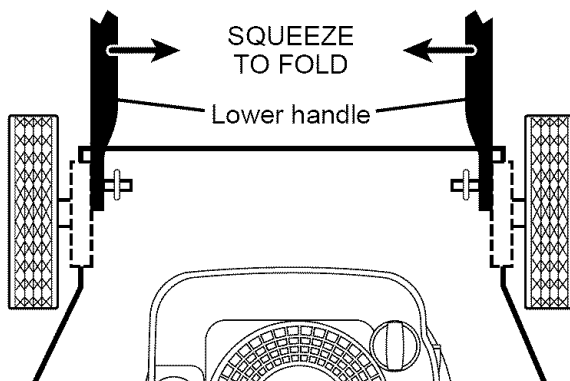
HANDLE

You can fold your lawn mower handle for storage.

1. Squeeze the bottom ends of the lower handle toward each other until the lower handle clears the handle bracket, then move handle forward.
2. Loosen upper handle mounting bolts enough to allow upper handle to be folded back.

IMPORTANT: When folding the handle for storage or transportation, be sure to fold the handle as shown or you may damage the control cables.

- When setting up your handle from the storage position, the lower handle will automatically lock into the mowing position.



ENGINE

FUEL SYSTEM

IMPORTANT: It is important to prevent gum deposits from forming in essential fuel system parts such as carburetor, fuel filter, fuel hose, or tank during storage. Alcohol blended fuels (called gasohol or using ethanol or methanol) can attract moisture which leads to separation and formation of acids during storage. Acidic gas can damage the fuel system of an engine while in storage.

- Empty the fuel tank by starting the engine and letting it run until the fuel lines and carburetor are empty.
- Never use engine or carburetor cleaner products in the fuel tank or permanent damage may occur.
- Use fresh fuel next season.

NOTE: Fuel stabilizer is an acceptable alternative in minimizing the formation of fuel gum deposits during storage. Add stabilizer to gasoline in fuel tank or storage container. Always follow the mix ratio found on stabilizer container. Run engine at least 10 minutes after adding stabilizer to allow the stabilizer to reach the carburetor. Do not empty the gas tank and carburetor if using fuel stabilizer.

ENGINE OIL

Drain oil (with engine warm) and replace with clean engine oil. (See "ENGINE" in the Maintenance section of this manual).

CYLINDER

1. Remove spark plug.
2. Pour one ounce (29 ml) of oil through spark plug hole into cylinder.
3. Pull starter handle slowly a few times to distribute oil.
4. Replace with new spark plug.

OTHER

- Do not store gasoline from one season to another.

- Replace your gasoline can if your can starts to rust. Rust and/or dirt in your gasoline will cause problems.
- If possible, store your unit indoors and cover it to protect it from dust and dirt.
- Cover your unit with a suitable protective cover that does not retain moisture. Do not use plastic. Plastic cannot breathe, which allows condensation to form and will cause your unit to rust.

IMPORTANT: Never cover mower while engine and exhaust areas are still warm.

CAUTION: Never store the lawn mower with gasoline in the tank inside a building where fumes may reach an open flame or spark. Allow the engine to cool before storing in any enclosure.

TROUBLESHOOTING - See appropriate section in manual unless directed to a Sears Parts & Repair Center.

| PROBLEM | CAUSE | CORRECTION |
|----------------|--|--|
| Does not start | <ol style="list-style-type: none">1. Dirty air filter.2. Out of fuel.3. Stale fuel.4. Water in fuel.5. Spark plug wire is disconnected.6. Bad spark plug.7. Loose blade or broken blade adapter.8. Control bar in released position.9. Control bar defective.10. Fuel valve lever (if so equipped) in OFF position.11. Weak battery (if equipped).12. Disconnected battery connector (if equipped). | <ol style="list-style-type: none">1. Clean/replace air filter.2. Fill fuel tank.3. Empty fuel tank and refill tank with fresh, clean gasoline.4. Empty fuel tank and refill tank with fresh, clean gasoline.5. Connect wire to plug.6. Replace spark plug.7. Tighten blade bolt or replace blade adapter.8. Depress control bar to handle.9. Replace control bar.10. Turn fuel valve lever to the ON position.11. Charge battery.12. Connect battery to engine. |

TROUBLESHOOTING - See appropriate section in manual unless directed to a Sears Parts & Repair Center.

| PROBLEM | CAUSE | CORRECTION |
|---|--|--|
| Loss of power | <ol style="list-style-type: none"> 1. Rear of lawn mower housing or cutting blade dragging in heavy grass. 2. Cutting too much grass. 3. Dirty air filter. 4. Buildup of grass, leaves, and trash under mower. 5. Too much oil in engine. 6. Walking speed too fast. | <ol style="list-style-type: none"> 1. Raise cutting height. 2. Raise cutting height. 3. Clean/replace air filter. 4. Clean underside of mower housing. 5. Check oil level. 6. Cut at slower walking speed. |
| Poor cut – uneven | <ol style="list-style-type: none"> 1. Worn, bent or loose blade. 2. Wheel heights uneven. 3. Buildup of grass, leaves and trash under mower. | <ol style="list-style-type: none"> 1. Replace blade. Tighten blade bolt. 2. Set all wheels at same height. 3. Clean underside of mower housing. |
| Excessive vibration | <ol style="list-style-type: none"> 1. Worn, bent or loose blade. 2. Bent engine crankshaft. | <ol style="list-style-type: none"> 1. Replace blade. Tighten blade bolt. 2. Contact a Sears or other qualified service center. |
| Starter rope hard to pull | <ol style="list-style-type: none"> 1. Engine flywheel brake is on when control bar is released. 2. Bent engine crankshaft. 3. Blade adapter broken. 4. Blade dragging in grass. | <ol style="list-style-type: none"> 1. Depress control bar to upper handle before pulling starter rope. 2. Contact a Sears or other qualified service center. 3. Replace blade adapter. 4. Move lawn mower to cut grass or to hard surface. |
| Grass catcher not filling (If so equipped) | <ol style="list-style-type: none"> 1. Cutting height too low. 2. Lift on blade worn off. 3. Catcher not venting air. | <ol style="list-style-type: none"> 1. Raise cutting height. 2. Replace blade. 3. Clean grass catcher. |
| Hard to push | <ol style="list-style-type: none"> 1. Grass is too high or wheel height is too low. 2. Rear of lawn mower housing or cutting blade dragging in grass. 3. Grass catcher too full. 4. Handle height position not right for you. | <ol style="list-style-type: none"> 1. Raise cutting height. 2. Raise rear of lawn mower housing one (1) setting higher. 3. Empty grass catcher. 4. Adjust handle height to suit. |

TABLA DE MATERIAS

| | | | |
|------------------------------------|-------|----------------------------------|-------|
| Garantía..... | 20 | Programa de Mantenimiento | 27 |
| Reglas de Seguridad | 18-19 | Servicio y Ajustes | 30-31 |
| Especificaciones del Producto..... | 21 | Almacenamiento..... | 31-32 |
| Montaje / Pre-Operación | 22 | Identificación de problemas..... | 32-33 |
| Operación | 23-26 | Partes de repuesto | 34-39 |
| Mantenimiento..... | 27-29 | | |

REGLAS DE SEGURIDAD

IMPORTANTE: Esta maquina cortadora es capaz de amputar las manos y los pies y de lanzar objetos. Si no se observan las instrucciones de seguridad siguientes se pueden producir lesiones graves o la muerte.

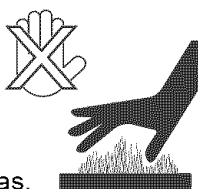
⚠ Busque este símbolo que señala las precauciones de seguridad de importancia. Quiere decir – ¡¡¡ATENCIÓN!!! ¡¡¡ESTE ALERTO!!! SU SEGURIDAD ESTA COMPROMETIDA.

⚠ **ADVERTENCIA:** Siempre desconecte el alambre de la bujía y póngalo donde no pueda entrar en contacto con la bujía, para evitar el arranque por accidente, durante la preparación, el transporte, el ajuste o cuando se hacen reparaciones.

⚠ **ADVERTENCIA:** Los bornes, terminales y accesorios relativos de la batería contienen plomo o compuestos de plomo, productos químicos conocidos en el Estado de California como causa de cáncer y defectos al nacimiento u otros daños reproductivos. **Lavar las manos después de manipularlos.**

⚠ **PRECAUCIÓN:** El tubo de escape del motor, algunos de sus constituyentes y algunos componentes del vehículo contienen o desprenden productos químicos conocidos en el Estado de California como causa de cáncer y defectos al nacimiento u otros daños reproductivos.

⚠ **PRECAUCIÓN:** El silenciador y otras piezas del motor llegan a ser extremadamente calientes durante la operación y siguen siendo calientes después de que el motor haya parado. Para evitar quemaduras severas, permanezca lejos de estas áreas.



I. OPERACION

- Antes de empezar, debe familiarizarse completamente con los controles y el uso correcto de la maquina. Para esto, debe leer y comprender todas las instrucciones que aparecen en la maquina y en los manuales de operación.
- No ponga las manos o los pies cerca o debajo de las partes rotatorias. Manténgase siempre lejos de la abertura de la descarga.
- Permita que solamente las personas responsables que estén familiarizadas con las instrucciones operen la máquina.
- Despeje el área de objetos tales como piedras, juguetes, alambres, huesos, palos, etc. que pueden ser recogidos y lanzados por las cuchillas.
- Asegúrese que el área no se hallen personas, antes de segar. Pare la máquina si alguien entra en el área.
- No opere la maquina sin zapatos o con sandalias abiertas. Póngase siempre zapatos sólidos.

- No tire de la segadora hacia atrás a menos que sea absolutamente necesario. Mire siempre hacia abajo y hacia detrás antes y mientras que se mueve hacia atrás.
- Nunca dirigir el material descargado hacia las personas. Evitar descargar material contra paredes o barreras. El material puede retornar al operador. Para la cuchilla cuando se pasa por superficies de grava.
- No opere la segadora sin los respectivos resguardos, las placas, el recogedor de césped u otros aditamentos diseñados para su protección y seguridad.
- Refiérase a las instrucciones del fabricante para el funcionamiento e instalación de accesorios. Use únicamente accesorios aprobados por el fabricante.
- Detenga la cuchilla o las cuchillas cuando cruce por calzadas, calles o caminos de grava.
- Parar el motor cada vez que se abandona el aparato, antes de limpiar la segadora o de remover residuos del tubo.
- Apagar el motor y esperar hasta que las cuchillas estén completamente paradas antes de remover el receptor de hierba.
- Segar solamente con luz del día o con una buena luz artificial.
- No opere la máquina bajo la influencia del alcohol o de las drogas.
- Nunca opere la maquina cuando la hierba esté mojada. Asegúrese siempre de tener buena tracción en sus pies; mantenga el mango firmemente y camine; nunca corra.
- Desconectar el mecanismo de propulsión autónoma o el embrague de transmisión en las segadoras que lo tienen antes de poner en marcha el motor.
- Si el equipo empezara a vibrar de una manera anormal, pare el motor y revise de inmediato para averiguar la causa. Generalmente la vibración suele indicar que existe alguna avería.
- Siempre use gafas de seguridad o anteojos con protección lateral cuando opere la segadora.

II. OPERACION SOBRE LAS CUESTAS

Los accidentes ocurren con más frecuencia en las cuestas. Estos accidentes ocurren debido a resbaladas o caídas, las cuales pueden resultar en graves lesiones. Operar la recortadora en cuestas requiere mayor concentración. Si se siente inseguro en una cuesta, no la recorte.

HACER:

- Puede recortar a través de la superficie de la cuesta, nunca hacia arriba y hacia abajo. Proceda con extrema precaución cuando cambie de dirección en las cuestas.
- Renueva todos los objetos extraños, tales como guijarros, ramas, etc.
- Debe prestar atención a hoyos, baches o protuberancias. Recuerde que la hierba alta puede esconder obstáculos.

NO HACER:

- No recorte cerca de pendientes, zanjas o terraplenes. El operador puede perder la tracción en los pies o el equilibrio.
- No recorte cuestas demasiado inclinadas.
- No recorte en hierba mojada. La reducción en la tracción de la pisada puede causar resbalones.

III. NIÑOS

Se pueden producir accidentes trágicos si el operador no presta atención a la presencia de los niños. A menudo, los niños se sienten atraídos por la máquina y por la actividad de la siega. Nunca suponga que los niños van a permanecer en el mismo lugar donde los vio por última vez.

- Mantenga a los niños alejados del área de la siega y bajo el cuidado estricto de otra persona adulta responsable.
- Esté alerta y apague la máquina si hay niños que entran al área.
- Antes y cuando este retrocediendo, mire hacia atrás y hacia abajo para verificar si hay niños pequeños.
- Nunca permita que los niños operen la máquina.
- Tenga un cuidado extra cuando se acerque a esquinas donde no hay visibilidad, a los arbustos, árboles u otros objetos que pueden interferir con su línea de visión.

IV. MANEJO SEGURO DE GASOLINA

Usar mucha atención cuando se maneja gasolina. La gasolina es extremadamente inflamable y los vapores son explosivos.

- Apagar todos los cigarrillos, cigarras, pipas y otras fuentes de ignición.
- Usar solo un contenedor apropiado.
- Nunca quitar el tapón de la gasolina o añadir carburante con el motor en marcha. Esperar que el motor se enfríe antes de repostar la gasolina.
- Nunca repostar la máquina al interior de un local.
- Nunca guardar la máquina o el contenedor de gasolina donde hay una llama abierta, chispa o luz piloto como una caldera u otros dispositivos.

- Nunca llenar contenedores en un vehículo, en un camión o caravana con un forro de plástico. Colocar siempre los contenedores en el suelo lejos de su vehículo antes de llenar.
- Quitar equipos que funcionan con gasolina del camión o caravana y repostar en el suelo. Si esto no es posible, repostar dicho equipo con un contenedor portátil, más bien que con una tobera de gasolina.
- Mantener la tobera en contacto con el bordo del depósito de carburante o de la apertura del contenedor siempre hasta terminar el abastecimiento. No usar un dispositivo de cierre-apertura de la tobera.
- Si el carburante cae en la ropa que se lleva, cambiársela inmediatamente.
- Nunca llenar en exceso el depósito de carburante. Colocar el tapón de la gasolina y apretar de modo seguro.

V. SERVICIO

- Nunca haga funcionar una máquina dentro de un área cerrada.
- Nunca haga ajustes o reparaciones mientras el motor esté en marcha. Desconecte el cable de la bujía, y manténgalo a cierta distancia de ésta para prevenir un arranque accidental.
- Mantenga las tuercas y los pernos, especialmente los pernos del accesorio de la cuchilla, apretados y mantenga el equipo en buenas condiciones.
- Nunca manipule de forma indebida los dispositivos de seguridad. Controle regularmente su funcionamiento correcto.
- Mantenga la máquina libre de hierba, hojas u otras acumulaciones de desperdicio. Limpie los derrames de aceite o combustible. Permita que la máquina se enfríe antes de almacenarla.
- Pare e inspeccione el equipo si le pega a un objeto. Repárelo, si es necesario, antes de hacerlo arrancar.
- En ningún caso hay que regular la altura de las ruedas mientras el motor está en marcha.
- Los componentes del receptor de la hierba van sujetos a desgaste, daños y deterioro, que pueden exponer las partes en movimiento o permitir que objetos sean disparados. Controlar frecuentemente y cuando sea necesario sustituir con partes aconsejadas por el fabricante.
- Las cuchillas de la segadora están afiladas y pueden cortar. Cubrir las hojas o llevar guantes, y utilizar precauciones especiales cuando se efectúa mantenimiento sobre las mismas.
- No cambie el ajuste del regulador del motor ni exceda su velocidad.
- Mantener o sustituir las etiquetas de seguridad e instrucciones, cuando sea necesario.

⚠ADVERTENCIA: Este segadora viene equipado con un motor de combustión interna y no se debe usar sobre, o cerca, de un terreno no desarrollado cubierto de bosques, de arbustos o de césped, o menos que el sistema de escape del motor venga equipado con un amortiguador de chispas que cumpla con las leyes locales o estatales (si existen). Si se usa un amortiguador de chispas, el operador debe mantenerlo en condiciones de trabajo eficientes. En el estado de California, la ley exige lo anterior (Sección 4442 del "California Public Resources Code"). Otros estados pueden contar con otras leyes parecidas. Las leyes federales se aplican en la tierras federales. Su centro de Servicio más cercano tiene disponible amortiguadores de chispas para el silenciador (Vea la sección de PARTES DE REPUESTO en el manual Inglés del dueño).

GARANTÍA

SECCIÓN 1: GARANTÍA LIMITADA

Husqvarna Forest & Garden Company ("Husqvarna") garantiza al comprador original que el producto Husqvarna no tiene defectos de material y fabricación a partir de la fecha de compra y por el "Periodo de Garantía" del producto según lo establecido a continuación:

GARANTÍA NO COMERCIAL DE 2 AÑOS: Cortacésped automático, cortacésped conducibles, tractores de jardín y terreno, cortacésped con los que se camina al lado, dispositivos de filtrado, hojas de cadena, desbastadores, cortadores de maleza, sierras de despeje, quitanieves, sopladores manuales, sopladores tipo mochila, desbastadores de hilo, productos eléctricos y sistemas de recogida de motor para uso no comercial, no profesional, no institucional y sin finalidad de ganancias, excepto lo mencionado aquí.

Los componentes del sistema de control de las emisiones necesarios para cumplir con las normas CARB-TIERII y EPA.

El **Aparejo de Seguridad Husqvarna** tiene una garantía de 90 días a partir de la fecha de compra original por defectos de material o fabricación. El desgaste normal, la rotura o el mal uso no están cubiertos por la garantía. El producto ha de devolverse a Charlotte con un formulario de petición de garantía. Hay que seguir todas las instrucciones de cuidado y mantenimiento tal y como están indicadas por el productor en la etiqueta de cuidado. La conformidad del aparejo/estructura de protección no está cubierta por la garantía.

SECCIÓN 2: OBLIGACIONES DE HUSQVARNA EN EL PERIODO DE GARANTÍA

Husqvarna reparará o sustituir los componentes defectuosos sin cargar al comprador la parte o la mano de obra si un componente falla a causa de un defecto de material o fabricación durante el periodo de garantía.

SECCIÓN 3: ARTÍCULOS NO CUBIERTOS POR ESTA GARANTÍA

Los artículos siguientes no están cubiertos por esta garantía:

- (1) Artículos normales de mantenimiento del cliente que se desgastan con el uso regular normal, incluyendo, pero no limitado a correas, hojas, adaptadores de hojas, bombillas, filtros, cintas de guía, lubricantes, muelles de rebobinado, cadena de la sierra, bujías de encendido, cuerdas y brazos de arranque;
- (2) La decoloración natural del material debido a los rayos ultravioletas;
- (3) Los accesorios del césped y del jardín están cubiertos por una tercera parte que proporciona una garantía, todas las reclamaciones en garantía se tendrán que enviar al productor; y
- (4) Componentes del Sistema de Control de las Emisiones necesarios para motores que forman parte de lo fabricado por la tercera parte productora del motor.

SECCIÓN 4: EXCEPCIONES Y LIMITACIONES

Esta garantía no se aplicará a defectos derivados de lo siguiente:

- (1) Accidente, abuso, uso incorrecto, negligencia y descuido, incluido carburante pasado, suciedad, abrasivos, humedad, herrumbre, corrosión, o cualquier reacción adversa debida a almacenamiento incorrecto o costumbres de uso;
- (2) No hacer funcionar o mantener la unidad de acuerdo con el manual del Propietario/Operador o la hoja de instrucciones proporcionada por Husqvarna;
- (3) Alteraciones o modificaciones que cambien el uso del producto para el que se ha concebido o que afecte el rendimiento, el funcionamiento, la seguridad o la duración del producto, o lleve el

producto a no cumplir con una cualquiera de las leyes aplicables; o:

- (4) Daños adicionales a partes o componentes debido al uso continuativo después de una cualquiera de las cosas indicadas arriba.

LA REPARACIÓN Y SUSTITUCIÓN TAL Y COMO PROPORCIONADAS POR ESTA GARANTÍA SON EL REMEDIO EXCLUSIVO QUE TIENEN EL COMPRADOR. HUSQVARNA NO SERÁ RESPONSABLE POR CUALQUIER DAÑO INCIDENTAL O CONSECUENCIAL DEBIDO A LA VIOLACIÓN DE CUALQUIER GARANTÍA EXPRESADA O IMPLÍCITA SOBRE ESTOS PRODUCTOS EXCEPTO POR LO QUE PROHÍBE LA LEY APLICABLE. CUALQUIER GARANTÍA IMPLÍCITA DE COMERCIABILIDAD O IDONEIDAD PARA UN OBJETIVO PARTICULAR SOBRE ESTOS PRODUCTOS ESTÁ LIMITADA EN CUANDO A DURACIÓN AL PERIODO DE GARANTÍA SEGÚN LO DEFINIDO EN LA DECLARACIÓN DE LA GARANTÍA LIMITADA. HUSQVARNA SE RESERVA EL DERECHO DE CAMBIAR O MEJORAR EL DISEÑO DEL PRODUCTO SIN AVISO, Y NO SE OBLIGA A PONER AL DÍA LOS PRODUCTOS PRECEDENTEMENTE FABRICADOS.

Algunos países no permiten que se excluyan los daños incidentales o consecuenciales, o las limitaciones sobre cuanto dura una garantía implícita, así que las limitaciones o exclusiones indicadas arriba puede que no se apliquen en tu caso. Esta garantía te proporciona unos derechos legales, pero puedes tener otros derechos que varían según el país de residencia.

SECCIÓN 5: RESPONSABILIDADES DEL CLIENTE

El producto se tiene que cuidar, mantener, hacer funcionar, guardar y en general conservar según lo indicado en la sección de mantenimiento del manual del Propietario/Operador. Si ocurriera un problema de funcionamiento o una avería, no usar el producto, sino entregarlo tal y como está a un revendedor Husqvarna autorizado para la estimación. La prueba de compra, como está explicado en la sección 6, es responsabilidad única del cliente.

SECCIÓN 6: PROCEDIMIENTO PARA OBTENER LA APLICACIÓN DE LA GARANTÍA

Es responsabilidad del Propietario y del Revendedor asegurar que la Ficha de Registro de la Garantía esté adecuadamente compilada y que se haya enviado por correo a Husqvarna Forest & Garden Company. Esta ficha ha de enviarse dentro de diez (10) a partir de la fecha de compra a fin de confirmar la garantía y para facilitar el servicio posventa.

La prueba de compra ha de presentarse al revendedor autorizado Husqvarna a fin de obtener el servicio de garantía. La prueba ha de incluir la fecha de compra el número del modelo, el número de serie, y el nombre y la dirección completas del revendedor adonde se compró.

Para obtener el beneficio de esta garantía, el producto que se considera defectuoso ha de enviarse a un revendedor autorizado Husqvarna en un plazo de tiempo oportuno, no más de treinta (30) días después de haber descubierto el problema de funcionamiento o la avería. Los gastos para el envío del producto son a cargo del propietario. Los gastos de recogida y entrega no están cubiertos por esta garantía. Normalmente es posible individual un revendedor Husqvarna autorizado a través de las "Páginas Amarillas" de la propia localidad o llamando al 1-800-HUSKY62 para conocer el revendedor de tu zona.

HUSQVARNA
7349 Statesville Road
Charlotte, NC 28269
531 83 81-23 2002

ESPECIFICACIONES DEL PRODUCTO

| | |
|--|--|
| Número de Serie: | |
| Fecha de Compra: | |
| Capacidad y Tipo de Gasolina: | 1.0 Cuartos (Regular sin Plomo) |
| Capacidad de Aceite: | 18.5 Onzas |
| Tipo de Aceite (API SG–SL): | SAE 30 (Debajo 0°C/32°F) o SAE 10W30 |
| Bujía (Abertura: .030") | NGK BPR6ES |
| Tolerancia de Válvula (± 0.004 mm) | Admisión: 0.015 mm; Descarga: 0.020 mm |
| Torsión del Perno de la Cuchilla: | 35-40 ft. lbs. |
| <ul style="list-style-type: none"> El número del modelo y el de serie se encuentran en la calcomanía adjunta a la parte trasera de la caja de la segadora. Debe registrar tanto el número de serie como la fecha de compra y manténgalos en un lugar seguro para referencia en el futuro. | |

ACCESORIOS PARA LA SEGADORA

Estos accesorios estaban disponibles cuando se produjo la segadora. **No son facilitados junto al cortacesped.** También están disponibles en la mayoría de las tiendas de Husqvarna y en los centros de servicio. Algunos de estos accesorios tal vez no se apliquen a su segadora.

RENDIMIENTO DE LA SEGADORA

| | | | | | |
|---|--|--|---|--|----------------------------|
|  | DESVIADOR DE RECORTES PARA SEGADORAS CON DESCARGA TRASERA |  | ESTABILIZADORES |  | ENVASES DE GASOLINA |
|  | RECORDOR PARA SEGADORAS CON DESCARGA TRASERA |  | RECORDOR PARA SEGADORAS CON DESCARGA LATERAL | | |

MANTENIMIENTO DE LA SEGADORA

| | | | | | |
|---|----------------------|---|--------------------------------|---|---------------|
|  | SILENCIADORES |  | FILTROS DE AIRE |  | BUJÍAS |
|  | CORREAS |  | ADAPTADORES DE CUCHILLA |  | RUEDAS |
|  | CUCHILLAS |  | ACEITE DEL MOTOR | | |

MONTAJE / PRE-OPERACIÓN

Lea estas instrucciones y este manual completamente antes de tratar de montar u operar su segadora nueva.

IMPORTANTE: Este cortacésped viene SIN ACEITE O GASOLINA en el motor.

Su segadora nueva ha sido montada en la fábrica con la excepción de aquellas partes que se dejaron sin montar por razones de envío. Todas las partes como las tuercas, las arandelas, los pernos, etc., que son necesarias para completar el montaje han sido colocadas en la bolsa de partes. Para asegurarse que su segadora funcione en forma segura y adecuada, todas las partes y los artículos de ferretería que se monten tienen que ser apretados seguramente. Use las herramientas correctas, como sea necesario, para asegurar que se aprieten adecuadamente.

PARA REMOVER LA SEGADORA DE LA CAJA DE CARTÓN

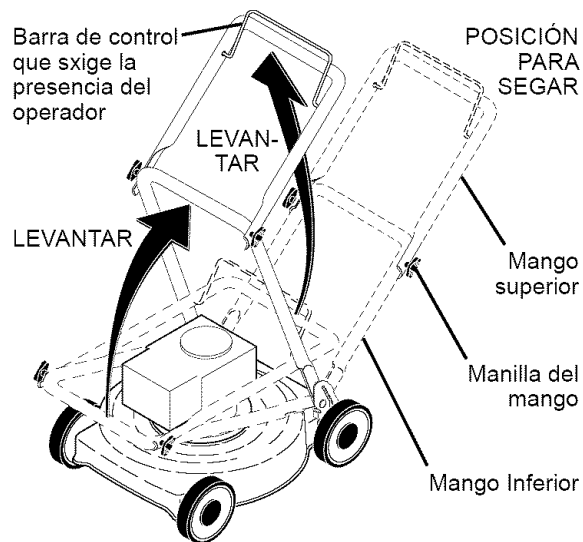
1. Remueva las partes sueltas que se incluyen con la segadora.
2. Corte las dos esquinas de los extremos de la caja de cartón y tienda el panel del extremo plano.
3. Remueva todo el material de empaque, excepto la cuña entre el mango superior y el inferior, y la cuña que sujeta la barra de los control que exige la presencia del operador junto con el mango superior.
4. Haga rodar la segadora hacia afuera de la caja de cartón y revísela cuidadosamente para verificar si todavía quedan partes sueltas adicionales.

COMO PREPARAR SU SEGADORA PARA DESDOBLAR EL MANGO

IMPORTANTE: Despliegue el mango con mucho cuidado para no pellizcar o dañar los cables de control.

1. Levante los mangos hasta que la sección del mango inferior se asegure en su lugar, en la posición para segar.
2. Remueva la cuña protectora, levante la sección del mango superior hasta su lugar en el mango inferior, y apriete ambas manillas del mango.
3. Remueva la cuña del mango que sujeta la barra de los control que exige la presencia del operador junto con el mango superior.

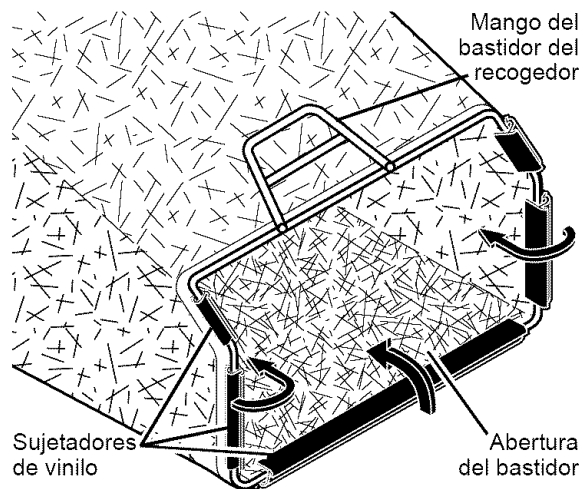
El mango de la segadora puede ajustarse según le acomode para segar. Refiérase a "AJUSTE DEL MANGO" en la sección de Servicio y Ajustes de este manual.



PARA MONTAR EL RECOGEDOR DE CÉSPED

1. Ponga el bastidor del recogedor de césped en la bolsa del césped con la parte rígida de la bolsa en la parte inferior. Asegúrese que el mango del bastidor esté en el exterior de la parte superior de la bolsa.
2. Deslice los sujetadores de vinilo sobre el bastidor.

AVISO: Si los sujetadores de vinilo están muy duros, métalos en agua caliente por algunos minutos. Si se moja la bolsa, déjela que se seque antes de usarla.



PARA INSTALAR LOS ACCESORIOS

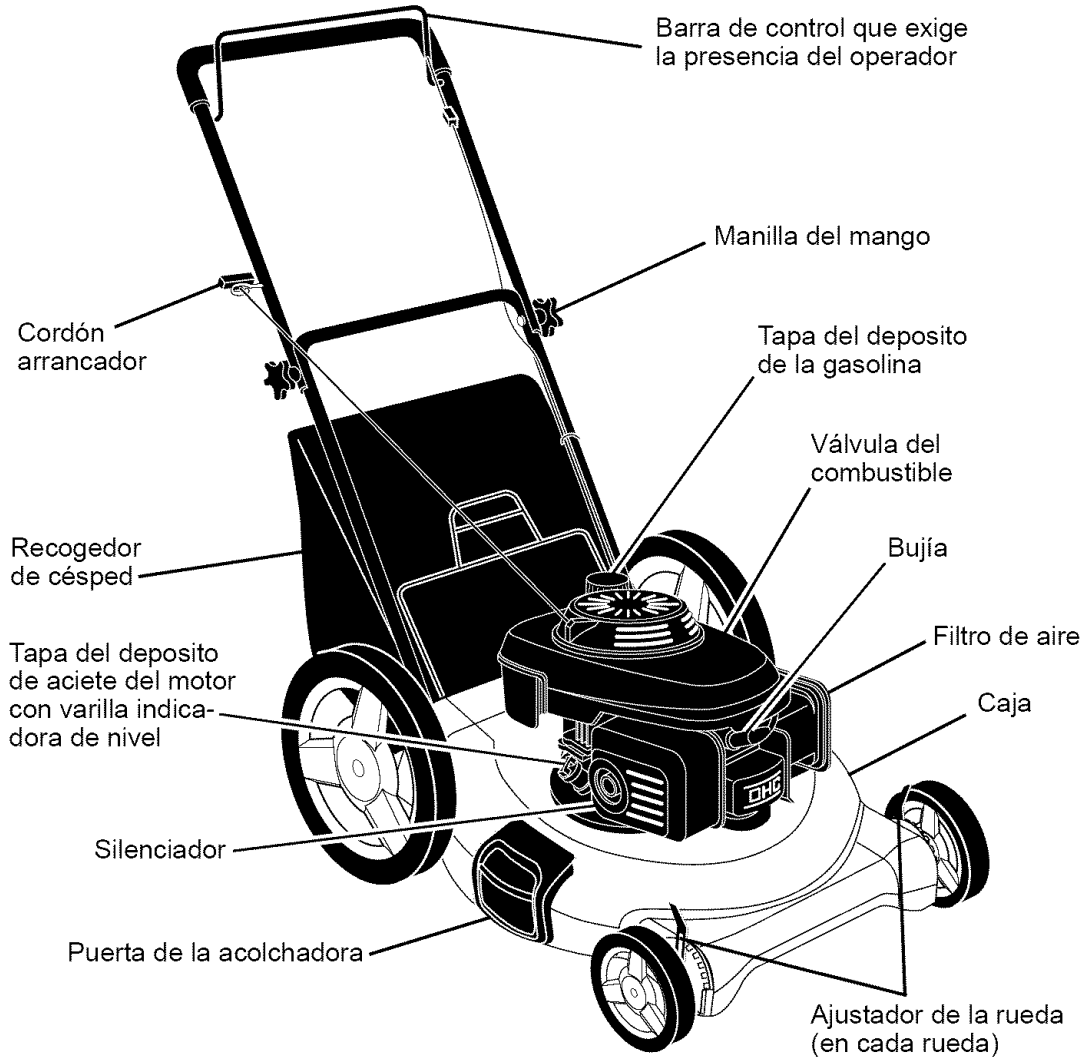
Su segadora fue enviada lista para usarse como una acolchadora de capa vegetal. Para convertir la de modo que pueda ensacar o descargar, refiérase a "PARA CONVERTIR LA SEGADORA" en la sección de Operación de este manual.

OPERACIÓN

FAMILIARICÉSE CON SU SEGADORA

LEA ESTE MANUAL DEL DUENO Y LAS REGLAS DE SEGURIDAD ANTES DE OPARAR SU SEGADORA. Compare las ilustraciones con su segadora para familiarizarse con la ubicación de los diversos controles y ajustes. Guarde este manual para referencia en el futuro.

Estos símbolos pueden aparecer sobre su segadora o en la literatura proporcionada con el producto. Aprenda y comprenda sus significados.



IMPORTANTE: Este cortacésped viene SIN ACEITE O GASOLINA en motor.

CUMPLE CON LOS REQUISITOS DE SEGURIDAD DE LA CPSC

Las segadoras a motor, que se conducen desde la parte de atrás, rotatorias, Sears, cumplen con los estándares de seguridad del American National Standards Institute y de la U.S. Consumer Product Safety Commission. La cuchilla gira cuando el motor está funcionando.

Barra de control que exige la presencia del operador – tiene que sujetarse abajo, junto con el mango, para hacer arrancar el motor. Suéltela para parar el motor.

Cordón arrancador – se usa para hacer arrancar el motor.

Puerta de la acolchadora – permite la conversión para la operación de descarga o ensacado.



La operación de cualquier segadora puede hacer que salten objetos extraños dentro de sus ojos, lo que puede producir daños graves en éstos. Siempre use anteojos de seguridad o protección para los ojos mientras opere su segadora o cuando haga ajustes o reparaciones. Recomendamos gafas o una máscara de seguridad de visión amplia de seguridad usada sobre las gafas.

COMO USAR SU SEGADORA

VELOCIDAD DEL MOTOR

La velocidad del motor se estableció en la fábrica para un rendimiento óptimo. La velocidad no se puede ajustar.

CONTROL DE ZONA DEL MOTOR

⚠ PRECAUCIÓN: Las regulaciones federales exigen que se instale un control para el motor en esta segadora para reducir a un mínimo el riesgo de lesionarse debido al contacto con la cuchilla. Por ningún motivo trate de eliminar la función del control del operador. La cuchilla gira cuando el motor está funcionando.

- Su segadora viene equipada con una barra de controles que exigen la presencia del operador, lo que requiere que el operador esté detrás del mango de la segadora para hacerla arrancar y operarla.

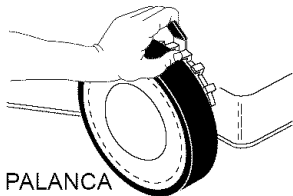
PARA AJUSTAR LA ALTURA DE CORTE

Levante las ruedas para el corte bajo y baje las ruedas para el corte alto., ajuste la altura de corte para que se acomode a sus requisitos. La posición del medio es la mejor para la mayoría de los céspedes.

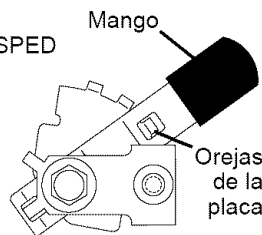
- Para cambiar la altura de corte, empuje la palanca del ajustador hacia la rueda. Mueva la rueda hacia arriba o hacia abajo de modo que se acomode a sus requisitos. Asegúrese que todas las ruedas queden igualmente ajustadas.

AVISO: El ajustador esta correctamente colocado cuando las orejas de la placa están insertadas en el agujero del mango. También, los ajustes de 9 posiciones (si equipado) permiten que el mango pueda ser movido entre las orejas de la placa.

PALANCA HACIA ATRÁS PARA BAJAR EL CORTACÉSPED



PALANCA HACIA ADELANTE PARA LEVANTAR EL CORTACÉSPED



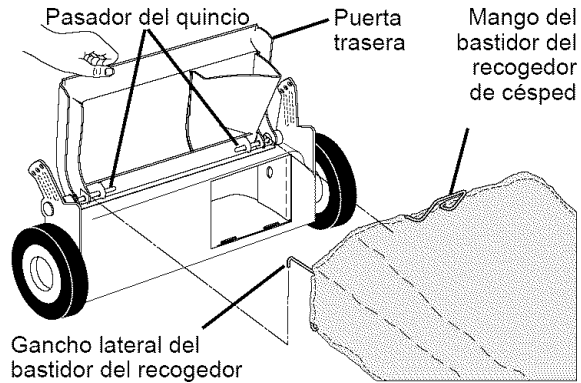
PARA CONVERTIR LA SEGADORA

Su segadora fue enviada lista para usarse como acolchadora de capa vegetal. Para convertirla a una operación de ensacado o de descarga:

SEGADORAS CON DESCARGA TRASERA

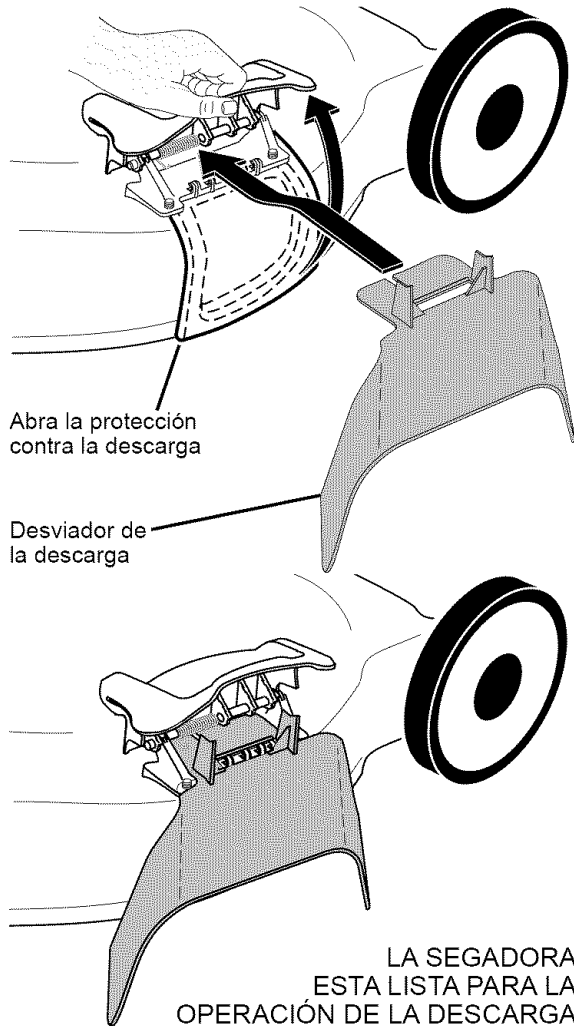
- Levantar la puerta trasera de cortacésped y colocar los ganchos del armazón de la recolectora de hierba en los pasadores del quicio de la puerta.

- Para pasar a la operación de acolchamiento, remover la recolectora de hierba y cerrar la puerta trasera.



SEGADORAS CON DESCARGA LATERAL

- La puerta trasera tiene que estar cerrada.
- Abra la protección contra la descarga y instale el desviador de contra la descarga debajo de la protección como se muestra.
- La segadora esta lista para la operación de la descarga.
- Para convertir a la operación de ensacado o de descarga, el desviador de la descarga debe ser removido y la protección contra la descarga debe estar cerrada.



PASOS SIMPLES DE RECORDAR CUANDO CONVIERTA SU SEGADORA

PARA ACOLCHAMIENTO -

1. La plancha acolchadora trasera instalada.
2. La protección contra la descarga cerrada.

PARA ENSACAMIENTO TRASERO -

1. La plancha acolchadora trasera removida.
2. Recogedor del césped instalado.
3. La protección contra la descarga cerrada.

PARA DESCARGA LATERAL-

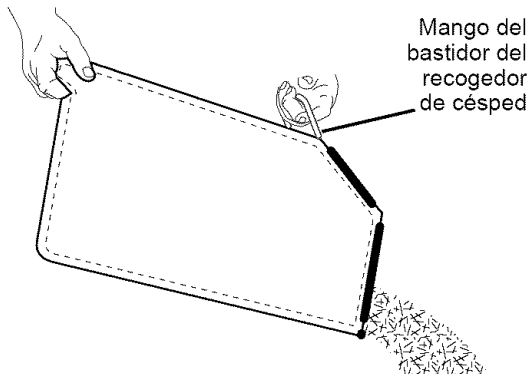
1. La plancha acolchadora trasera instalada.
2. La desviador de la descarga instalada.

⚠ PRECAUCIÓN: No haga funcionar su segadora sin la placa de la acolchadora, el desviador de recortes o sin el recogedor césped aprobados en su lugar. Nunca trate de operar la segadora cuando se halla removido la puerta trasera o cuando se ha removido a puerta trasera o cuando está un poco abierta.

PARA VACIAR EL RECOGEDOR DE CÉSPED

1. Levante el recogedor de césped usando el mango del bastidor.
2. Remueva el recogedor de césped, con los recortes, de debajo del mango de la segadora.
3. Vacíe los recortes de la bolsa.

AVISO: No arrastre la bolsa cuando la vacíe; se producirá un desgaste innecesario.



AGREGUE ACEITE

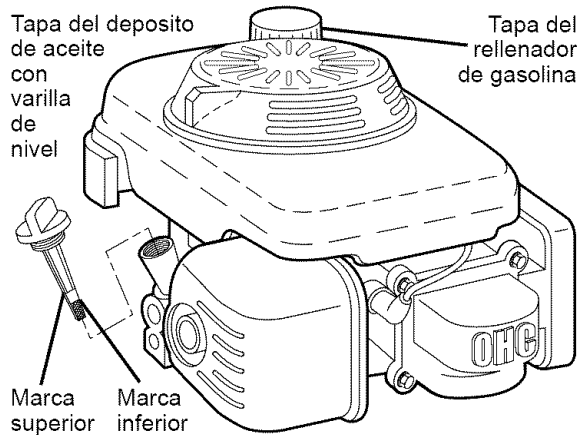
Su segadora fue enviada sin aceite en el motor. Para el tipo y el grado del aceite a utilizar, vea el "MOTOR" en la sección del Mantenimiento de este manual.

⚠ PRECAUCIÓN: NO sobrellene el motor con aceite, o fumará pesa demante del silenciador cuando lo valla a arrancar.

1. Asegúrese que la segadora esté nivelada.
2. Remueva la varilla medidora de aceite del tubo de desarga de aceite.
3. Usted recibe un envase de aceite con la unidad. Vierta lentamente el envase entero de aceite en el tubo de relleno del motor.
4. Inserte y apriete la varilla medidora de aceite.

IMPORTANTE:

- Revise el nivel del aceite antes de cada uso. Agregue aceite si es necesario. Llene hasta la línea de lleno en la varilla medidora de nivel.
- Cambie el aceite después de 25 horas de operación o una vez por temporada. Puede necesitar cambiar el aceite más a menudo cuando las condiciones son polvorosas o sucias. Vea "PARA CAMBIAR EL ACEITE DEL MOTOR" en la sección de Mantenimiento de este manual.



AGREGUE GASOLINA

- Llene el estanque de combustible hasta la parte inferior del cuello de relleno del estanque de gasolina. No lo llene demasiado. Use gasolina regular, sin plomo, nueva y limpia con el mínimo de 87 octanos. No mezcle el aceite con la gasolina. Para asegurar que la gasolina utilizada sea fresca compre estanques los cuales puedan ser utilizados durante los primeros 30 días.

⚠ PRECAUCIÓN: Limpie el aceite o el combustible derramado. No almacene, derrame o use gasolina cerca de una llama expuesta.

⚠ PRECAUCIÓN: Los combustibles mezclados con alcohol (conocidos como gasohol, o el uso de etanol o metanol) pueden atraer la humedad, la que conduce a la separación y formación de ácidos durante el almacenamiento. La gasolina acídica puede dañar el sistema del combustible de un motor durante el almacenamiento. Para evitar los problemas con el motor, se debe vaciar el sistema del combustible antes de guardarlo por un periodo de 30 días o más. Vacíe el estanque del combustible, haga arrancar el motor y hágalo funcionar hasta que las líneas del combustible y el carburador queden vacíos. La próxima temporada use combustible nuevo. Vea las Instrucciones Para El Almacenamiento para más información. Nunca use productos de limpieza para el motor o para el carburador en el estanque del combustible pues se pueden producir daños permanentes.

PARA PARAR EL MOTOR

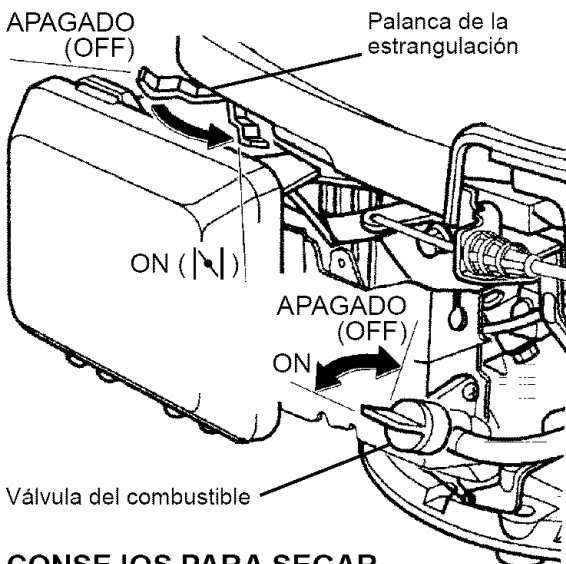
- Para parar el motor y si no intenta ponerlo en marcha de nuevo, alivie la barra de control que exige la presencia del operador. Espere hasta que la cuchilla y todas las piezas móviles se hallan parado y mueva la válvula del combustible a la posición APAGADO (OFF).

PARA HACER ARRANCAR EL MOTOR

AVISO: Debido a las capas protectoras del motor, una cantidad pequeña de humo puede estar presente durante el uso inicial del producto y se debe considerar normal.

1. Asegurase que válvula del combustible esté en la posición ON.
2. Mueva la palanca de la estrangulación a la posición de ON (I|N).
3. Sujete la barra de controles que exigen la presencia del operador abajo en el mango y tire el mango del arrancador rápidamente. No permita que el cordón arrancador se devuelva abruptamente.

AVISO: La palanca de la estrangulación comienza a moverse automáticamente a la posición de APAGADO (OFF) cuando la barra del control de la presencia del operador se mantiene hacia el mango.



CONSEJOS PARA SEGAR

PRECAUCIÓN: No utilizar dispositivos anti-paja de la hoja en la segadora ya que estos accesorios son peligrosos, pueden dañar su segadora y anular su garantía.

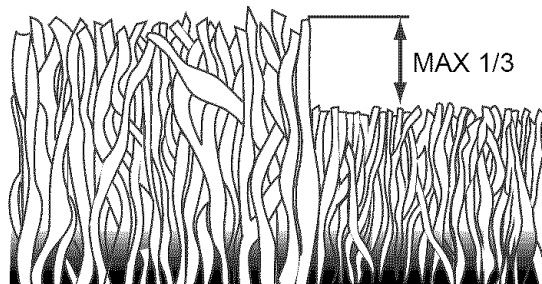
- Bajo ciertas condiciones, tal como césped muy alto, puede ser necesario el elevar la altura del corte para reducir el esfuerzo necesario para empujar la segadora y para evitar sobrecargar el motor, dejando montones de recortes de césped. Puede que sea necesario reducir la velocidad del recorrido y/o haga funcionar la segadora sobre el área por segunda vez.
- Para un corte muy pesado, reduzca el ancho del corte pasando parcialmente por encima del lugar anteriormente cortado y siegue lentamente.
- Para un mejor ensacado del césped y para la mayoría de las condiciones de corte, la velocidad del motor debe ajustarse a la posición de RÁPIDO.

- Los poros en los recogedores de césped de tela pueden llenarse con mugre y polvo con el uso y los recogedores recaudarán menos césped. Para evitar éste, rocíe el recogedor con la manguera de agua regularmente y déjelo secarse antes de usarlo.
- Mantenga la parte superior del motor, alrededor del arrancador, despejada y sin recortes de césped y paja. Esto ayudará el flujo del aire del motor y extenderá su duración.

CONSEJOS PARA SEGAR Y ACOLCHAR

IMPORTANTE: Para obtener el mejor rendimiento mantenga la caja de la segadora sin acumulación de césped y basura. Vea "LIMPIEZA" en la sección de Mantenimiento de este manual.

- La cuchilla acolchadora especial va a volver a cortar los recortes de césped muchas veces, y los reduce en tamaño, de modo que si se caen en el césped se van a dispersar entre éste y no se van a notar. También, el césped acolchado se va a deshacer rápidamente entregando sustancias nutritivas para el césped. Siempre acolche con la velocidad del motor (cuchilla) más alta, pues así se obtendrá la mejor acción de recorte de las cuchillas.
- Evite cortar el césped cuando esté mojado. El césped mojado tiende a formar montones e interfiere con la acción de acolchado. La mejor hora para segar el césped es temprano en la tarde. A esa hora éste se ha secado y el área recién cortada no quedará expuesta al sol directo.
- Para obtener los mejores resultados, ajuste la altura del corte de la segadora de modo que ésta corte solamente el tercio superior de las hojas de césped. En el caso de que el césped haya crecido demasiado, puede ser necesario el elevar la altura del corte para reducir el esfuerzo necesario para empujar la segadora y para evitar sobrecargar el motor, dejando montones de recortes de césped. Para un césped muy pesado, reduzca el ancho del corte pasando por encima del lugar anteriormente cortado y siegue lentamente.



- Ciertos tipos de césped y sus condiciones pueden exigir que un área tenga que ser acolchada por segunda vez para esconder completamente los recortes. Cuando se haga el segundo corte, siegue atravesado (en forma perpendicular) a la pasada del primer corte.
- Cambie su patrón de corte de semana a semana. Siegue de norte a sur una semana y luego cambie de este a oeste la próxima semana. Esto evitará que el césped se enrede y cambie de dirección.

MANTENIMIENTO

| PROGRAMA DE MANTENIMIENTO | | ANTES DE CADA USO | DESPUES DE CADA USO | CADA 10 HORAS | CADA 25 HORAS O TEMPORADA | CADA 100 HORAS | ANTES DEL ALMACENAMIENTO |
|---------------------------|---|-------------------|---------------------|---------------|---------------------------|----------------|--------------------------|
| SEGA DOR A | Revisar si hay Sujetadores Suelos | ✓ | | | | | ✓ |
| | Limpiar/Inspeccionar el Recogedor de Césped * | ✓ | ✓ | | | | ✓ |
| | Controlar los Neumáticos | ✓ | | | | | |
| | Controlar las Ruedas Motrices *** | ✓ | | | | | |
| | Limpiar la Segadora **** | | ✓ | | | | ✓ |
| | Limpiar debajo la Cubierta de la Transmisión *** | | | ✓ | | | |
| | Revisar las Correas y las Poleas Impulsadas *** | | | | ✓ | | |
| | Revisar / Afilar / Cambiar la Cuchilla | | | | ✓ ₃ | | |
| | Lubricación | | | | ✓ | | |
| MOTOR | Limpiar / Recargar la Batería ** | | | | ✓ | | ✓ ₄ |
| | Revisar el nivel del Aceite | ✓ ₅ | | | | | |
| | Cambiar el Aceite del motor | | | | ✓ _{1,2} | | |
| | Limpiar el Filtro de Aire | | | | ✓ ₂ | | |
| | Inspeccionar el Silenciador | | | | ✓ | | |
| | Cambiar la Bujía | | | | | ✓ | |
| | Cambiar el Cartucho de Papel del Filtro de Aire | | | | | ✓ ₂ | |
| | Vaciar el sistema del carburante o añadir un estabilizador de carburante. | | | | | | ✓ |

- * (si viene equipado) 1 - Cambiar más a menudo cuando se opere bajo carga pesada o en ambientes con altas temperaturas.
 ** Segadoras con Arranque Eléctrico 2 - Dar servicio más a menudo cuando se opere en condiciones sucias o polvorosas.
 *** Segadoras con Poder Propulsor 3 - Cambie las cuchillas más a menudo cuando siegue en terreno arenoso.
 **** Utilizar una rasqueta para limpiar debajo de la cubierta del cortacésped 4 - Cargar por 48 horas al fin de la temporada.
 5 - Y después de 5 horas de funcionamiento.

RECOMENDACIONES GENERALES

La garantía de esta segadora no cubre los artículos que han estado sujetos al abuso o a la negligencia del operador. Para recibir todo el valor de la garantía, el operador tiene que mantener la segadora según las instrucciones descritas en este manual.

Hay algunos ajustes que se tienen que hacer en forma periódica para poder mantener su unidad adecuadamente.

Al menos una vez cada estación comprobar si es necesario efectuar los ajustes descritos en las secciones de Servicio y Ajustes de este manual.

- Una vez al año, cambie la bujía, limpie o cambie el elemento del filtro de aire y revise si la cuchilla está desgastada. Una bujía nueva y un elemento del filtro de aire limpio/nuevo aseguran la mezcla de aire-combustible adecuada y ayudan a que su motor funcione mejor y que dure más.
- Siga el programa de mantenimiento en este manual.

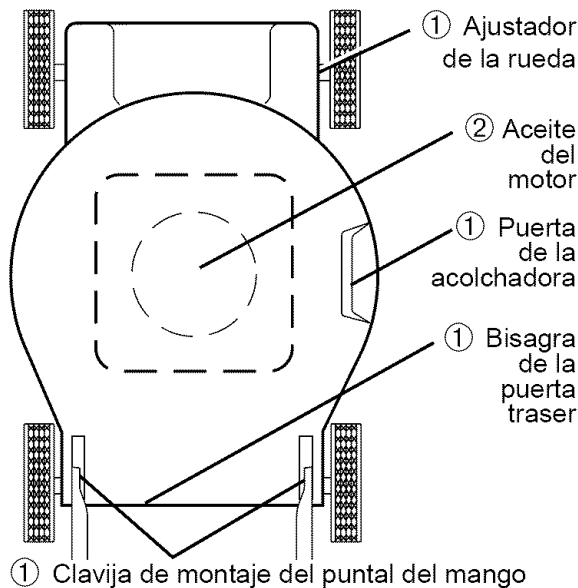
ANTES DE CADA USO

- Revise el nivel del aceite del motor.
- Revise si hay sujetadores sueltos.

LUBRICACIÓN

Mantenga la unidad bien lubricada (vea la "TABLA DE LUBRICACIÓN").

TABLA DE LUBRICACIÓN



- ① Rocie el lubricante
- ② Vea "MOTOR" en la sección de Mantenimiento

IMPORTANTE: No aceite o engrase los rodamientos de la rueda de plástico. Los lubricantes viscosos atearan polvo y mugre, lo acortara la duracion de los rodamientos autolubrificantes. Si cree que tienen que lubricarse, use losamente un lubricante tipo crafito, de polvo seco, en forma moderada.

SEGADORA

Siempre observe las reglas de seguridad cuando haga el mantenimiento.

LLANTAS

- Mantenga las llantas sin gasolina, aceite o sustancias químicas para control de insectos que pueden dañar la goma.
- Evite los tocones, las piedras, las grietas profundas, los objetos afilados y otros peligros que pueden dañar a las llantas.

CUIDADO DE LA CUCHILLA

Para obtener los mejores resultados, la cuchilla de la segadora tienen que mantenerse afilada. Cambie la cuchilla doblada o dañada.

⚠PRECAUCIÓN: Usar solamente la hoja de repuesto aprobada por el fabricante de su cortacésped. Usar una hoja no aprobada por el fabricante de su cortacésped es peligroso, puede dañar su cortacésped y anular su garantía.

PARA REMOVER LA CUCHILLA

1. Desconecte el alambre de la bujía y póngalo en donde no pueda entrar en contacto con ésta.
2. Haga descansar la segadora en su lado. Asegúrese que el filtro de aire y que el carburador queden mirando hacia arriba.
3. Use un bloque de madera entre la cuchilla y la caja de la segadora para evitar que la cuchilla gire cuando se le quite el perno.

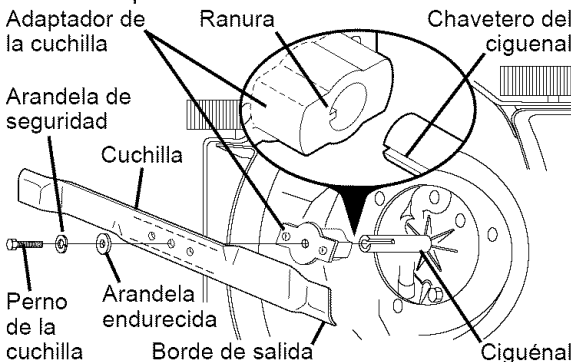
AVISO: Proteja sus manos con guantes y/o envuelva la cuchilla con una tela gruesa.

4. Remueva el perno de la cuchilla girándolo en el sentido contrario en que giran las manillas del reloj.
5. Remueva la cuchilla y los artículos de ferretería adjuntadores (el perno, la arandela de seguridad y la arandela endurecida).

PARA CAMBIAR LA CUCHILLA

1. Ponga la cuchilla en el adaptador de ésta alineando los dos (2) agujeros en la cuchilla con las salientes elevadas en el adaptador.
2. Asegúrese de que el borde de salida de la cuchilla (opuesto al borde afilado) esté hacia arriba hacia el motor.
3. Instale el perno de la cuchilla con la arandela de seguridad y la arandela endurecida en el adaptador de la cuchilla y el cigueñal.
4. Use un bloque de madera entre la cuchilla y la caja de la segadora y apriete el perno de la cuchilla girándolo en el sentido en que giran las manillas del reloj.

- La torsión para apretar recomendada es de 35 – 40 pies libras.



IMPORTANTE: El perno de la cuchilla es tratado a calor. Si es necesario sustituir los pernos, sustituirlos sólo con pernos aprobados mostrados en la sección Partes de Reparación de este manual. **PARA AFILAR LA CUCHILLA**

AVISO: No recomendamos afilar la cuchilla—pero si lo hace, asegúrese de que quede balanceada. Se tiene que tener cuidado de mantenerla balanceada. Una cuchilla que no está balanceada va a producir eventualmente daño en la segadora o en el motor.

- La cuchilla puede afilarse con una lima o en una rueda rectificadora. No trate de afilarla mientras se encuentra en la segadora.
- Para revisar el balance de la cuchilla, clave un clavo en una viga o en la pared. Deje alrededor de una pulgada de un clavo recto expuesto. Ponga el agujero central de la cuchilla sobre la cabeza del clavo. Si la cuchilla está balanceada debe permanecer en la posición horizontal. Si cualquiera de los extremos de la cuchilla se mueve hacia abajo, afile el extremo pesado hasta que ésta quede balanceada.

RECOGEDOR DE CÉSPED

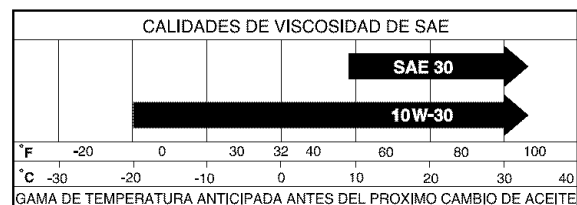
- El recogedor de césped puede ser rociado con el agua de la manguera pero tiene que estar seco cuando se vaya a usar.
- Revise su recogedor de césped a menudo para verificar si está dañado o deteriorado. Se va a desgastar con el uso normal. Si se necesita cambiar el recogedor, cámbielo solamente por uno que sea aprobado por el fabricante. Dé el número del modelo de la segadora cuando lo ordene.

MOTOR

El mantenimiento, la reparación, o el reemplazo de cualquier dispositivos o sistemas del control de la emisión, los cuales sean hechos al costo del cliente, pueden ser realizados por cualquier individuo o establecimiento de reparación de motor. Los reparos que caen bajo garantía deben ser realizados por un establecimiento de servicio de reparación de motor autorizado.

LUBRICACIÓN

Use solamente aceite de detergente de alta calidad clasificado con la clasificación SG–SL de servicio API. Seleccione la calidad de viscosidad SAE según su temperatura de operación esperada.



AVISO: Los aceites de multiviscosidad (5W30, 10W30, etc.) mejoran el arranque en clima frío, y revise el nivel del aceite del motor menudo, para evitar un posible daño en el motor, debido a que no tiene suficiente aceite.

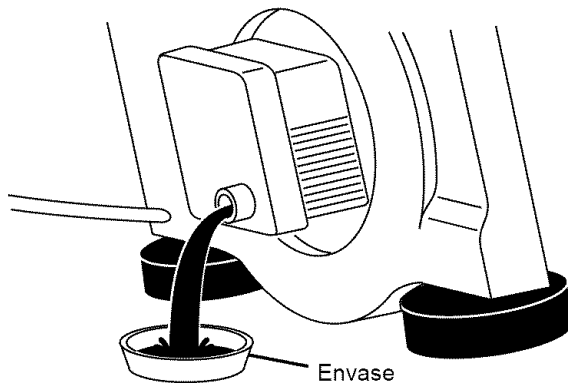
Cambie el aceite después de 25 horas de operación o por lo menos una vez al año si la segadora se utiliza menos 25 horas el año.

Revise el nivel del aceite del cárter antes de arrancar el motor y después de cada cinco (5) horas de uso continuado. Apriete el tapón del aceite en forma segura cada vez que revise el nivel del aceite.

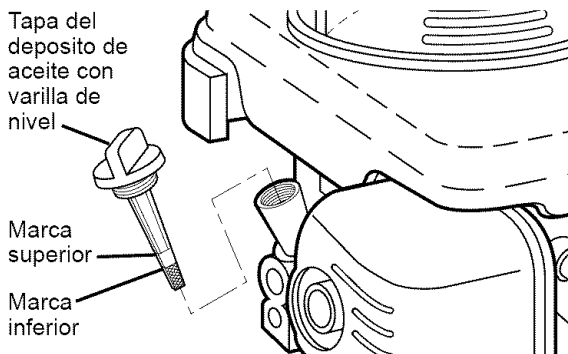
PARA CAMBIAR EL ACEITE DEL MOTOR

AVISO: Antes de inclinar la segadora para drenar el aceite, drene el tanque de combustible haciendo correr el motor hasta que el tanque esté vacío.

1. Desconecte el alambre de la bujía y póngalo de modo que no pueda entrar en contacto con ésta.
2. Remueva la tapa del depósito del aceite; déjela a un lado en una superficie limpia.
3. Inclíne la cortadora de césped por este costado tal como se muestra y purgue el aceite en un recipiente idóneo. Mueva la segadora de atrás para adelante para remover todo el aceite que se haya quedado atrapado dentro del motor.



4. Limpie todo el aceite derramado en la segadora y en el lado del motor.
5. Rellene el motor con aceite. Vierta lentamente el aceite en el tubo de relleno del motor.
6. Permita que el aceite se asiente. Use un medidor en la tapa/varilla indicadora del nivel para relleno del aceite para revisar el nivel. Inserte la varilla indicadora de nivel en el tubo, y haga descansar la tapa del depósito para relleno del aceite en el tubo al leer las medidas. NO enrosque el tapón cuando este tomando una lectura.



7. Continúe agregando cantidades pequeñas de aceite y vuelva a inspeccionar la varilla medidora hasta que lea lleno (FULL). NO sobrellene el motor con aceite, o fuma cuando lo valla a arrancar.
8. Asegúrese de apretar la varilla medidora del aceite antes de arrancar el motor.
9. Vuelva a conectar el alambre de la bujía a ésta.

FILTRO DE AIRE

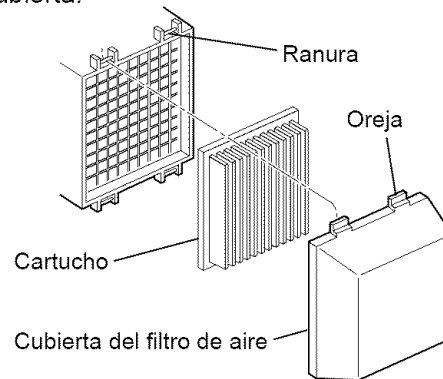
Su motor puede sufrir averías y funcionar de manera incorrecta con un filtro del aire sucio. Sustituir el papel del cartucho una vez al año o tras 100 horas de funcionamiento, más a menudo si se utiliza en condiciones de suciedad y polvo particulares. No lave el filtro de aire.

PARA LIMPIAR EL FILTRO DE AIRE

1. Remueva la cubierta.
2. Cuidadosamente, remueva el cartucho.
3. Límpielo golpeándolo suavemente en una superficie plana. Si está muy sucio cambie el cartucho.

PRECAUCIÓN: Los solventes de petróleo, tales como el keroseno, no se deben usar para limpiar el cartucho. Pueden producir el deterioro de éste. No aceite el cartucho. No use aire a presión para limpiarlo o secarlo.

4. Instale el cartucho, luego vuelva a poner la cubierta.



SILENCIADOR

Inspeccione y cambie el silenciador si está corroido puede producir un peligro de incendio y/o daño.

BUJÍA

Cambie el bujía al comienzo de cada temporada de siega o después de cada 100 horas de operación, lo que suceda primero. El tipo de bujía y el ajuste de la abertura aparecen en "ESPECIFICACIONES DEL PRODUCTO" sección de este manual.

LIMPIEZA

IMPORTANTE: Para obtener el mejor rendimiento, mantenga la caja de la segadora sin acumulación de césped y basura. Limpie la parte de abajo de su segadora después de cada uso.

PRECAUCIÓN: Desconecte el alambre de la bujía y póngalo en donde no pueda entrar en contacto con ésta.

- Haga descansar la segadora en su lado. Asegúrese que el filtro de aire y que el carburador queden mirando hacia arriba. Limpie la parte inferior de su segadora raspándola para remover la acumulación de césped y basura.
- Limpie el motor a menudo para evitar que se acumule la basura. Un motor tapado funciona más caliente y se acorta su duración.
- Mantenga las superficies pulidas y las ruedas sin gasolina, aceite, etc.
- No recomendamos el uso de una manguera de jardín para limpiar la segadora a menos que el sistema eléctrico, el silenciador, el filtro de aire y el carburador estén tapados para evitar que les entre el agua. El agua en el motor puede acortar la duración de éste.

SERVICIO Y AJUSTES

⚠ADVERTENCIA: Para evitar lesiones serias, antes de dar cualquier servicio o de hacer ajustes:

1. Suelte la barra de control y pare el motor.
2. Asegúrese que la cuchilla y que todas las partes móviles se hayan detenido completamente.
3. Desconecte el alambre de la bujía y póngalo en donde no pueda entrar en contacto con ésta.

SEGADORA

PARA AJUSTAR LA ALTURA DE CORTE

Vea "PARA AJUSTAR LA ALTURA DE CORTE" en la sección de Operación de este manual.

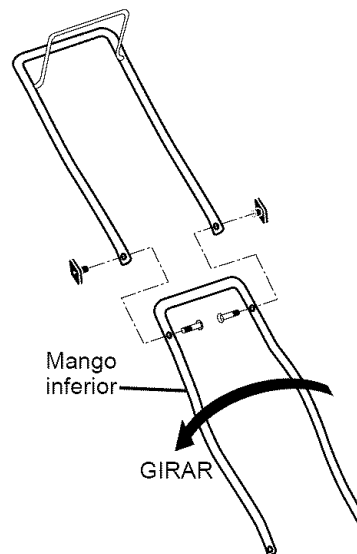
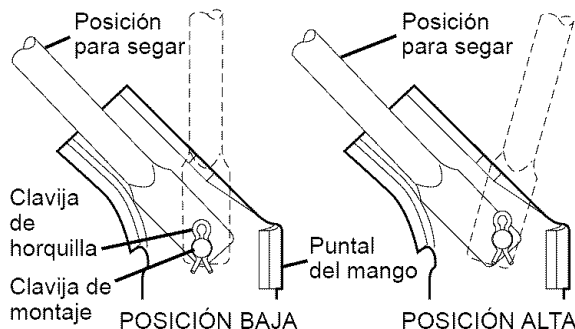
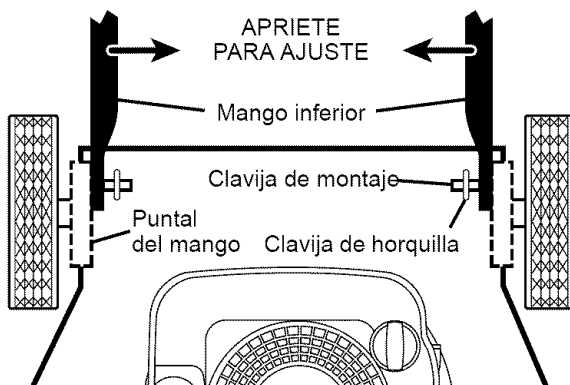
DESVIADOR TRASERO

Se proporciona un desviador trasero, adjunto entre las ruedas traseras de su segadora, para reducir a un mínimo la posibilidad que objetos sean lanzados hacia afuera de la parte trasera de la segadora, en la posición en donde se encuentra el operador. Si se daña el desviador debe cambiarse.

PARA AJUSTAR EL MANGO

El mango puede ser montado a una posición alta o baja. Los agujeros de montaje en el mango inferior están fuera del centro para levantar y bajar el mango.

1. Remueva el mango superior y conexión(s) el asegurar él (los) cable(s) al mango inferior.
2. Remueva las clavijas de horquilla de la clavija de montaje del puntal del mango.
3. Apreite el mango inferior hacia dentro para removerlo de las clavijas de montaje.
4. Gire el mango inferior por encima para levantar o bajar el mango.
5. Vuelva a montar las clavijas de horquilla por encima de las clavijas de montaje.
6. Vuelva a montar el mango superior y todas las partes removidas del mango inferior.



MOTOR

El mantenimiento, la reparación, o el reemplazo de cualquier dispositivos o sistemas del control de la emisión, los cuales sean hechos al costo del cliente, pueden ser realizados por cualquier individuo o establecimiento de reparación de motor. Los reparos que caen bajo garantía deben ser realizados por un establecimiento de servicio de reparación de motor autorizado.

VELOCIDAD DEL MOTOR

La velocidad del motor ha sido ajustada en la fábrica. No trate de aumentar la velocidad del motor pues se pueden producir lesiones personales. Si cree que el motor está funcionando demasiado rápido o demasiado lento, lleve su segadora a mas con su centro de servicio cualificado.

CARBURADOR

Su carburador tiene un chorro principal fijo no ajustable para controlar la mezcla. Si su motor no está funcionando en forma adecuada debido a problemas que se sospecha vienen del carburador, lleve su segadora a contacto con su centro de servicio cualificado para repararla y/o ajustarla.

IMPORTANTE: Nunca manipule el regulador del motor, el que ha sido ajustado en la fábrica para la velocidad del motor adecuada. Puede ser peligroso hacer funcionar el motor a una velocidad por sobre el ajuste de alta velocidad

de la fábrica. Si cree que la velocidad alta regulada del motor necesita ajuste, contacto con su centro de servicio cualificado, el que cuenta con el equipo adecuado y la experiencia para hacer los ajustes necesarios.

ALMACENAMIENTO

Inmediatamente prepare su segadora para el almacenamiento al final de cada temporada o si la unidad no se va a usar por 30 días o más.

SEGADORA

Cuando se va a guardar la segadora por cierto período de tiempo, límpiela cuidadosamente, remueva toda la mugre, la grasa, las hojas, etc. Guárdela en un área limpia y seca.

1. Limpie toda la segadora (Vea "LIMPIEZA" en la sección de Mantenimiento de este manual).
2. Lubríquela según se muestra en la sección de Mantenimiento de este manual.
3. Asegúrese de que todas las tuercas y clavijas y todos los pernos y tornillos estén apretados en forma segura. Inspeccione las partes que se mueven para verificar si están dañadas, quebradas o desgastadas. Cámbielas si es necesario.
4. Retoque todas las superficies que estén oxidadas o con la pintura picada; use una lija antes de pintar.

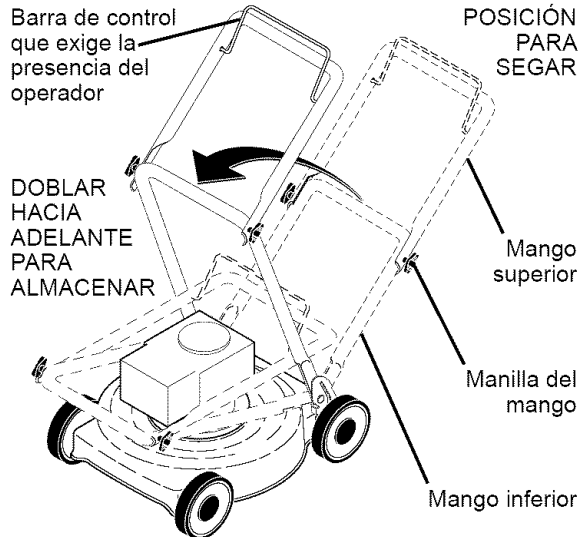
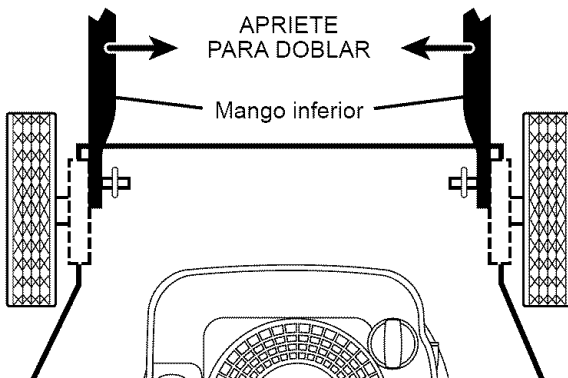
MANGO

Puede doblar el mango de su segadora para el almacenamiento.

1. Apriete los extremos inferiores del mango inferior entre sí hasta que el mango inferior quede separado del puntal del mango, luego muévalo hacia adelante.
2. Suelte los pernos de montaje del mango superior lo suficiente como para permitir que el mango superior se pueda doblar hacia atrás.

IMPORTANTE: Cuando doble el mango para el almacenamiento o el transporte, asegúrese que lo doble según se muestra o puede dañar los cables de control.

- Cuando prepare sus mangos a partir de la posición de almacenamiento, el mango inferior automáticamente se asegurará en la posición para segar.



MOTOR

SISTEMA DE COMBUSTIBLE

IMPORTANTE: Es importante evitar que se formen depósitos de goma en partes fundamentales del sistema de combustible tales como el carburador, el filtro del combustible, la manguera del combustible o en el estanque durante el almacenamiento. Los combustibles mezclados con alcohol (conocido como gasohol o que tienen etanol o metanol) Pueden atraer humedad, lo que conduce a la separación y a la formación de ácidos durante el almacenamiento. La gasolina ácida puede dañar el sistema de combustible de un motor durante el período de almacenamiento.

- Vaciar el depósito del carburante poniendo en marcha el motor y dejándolo funcionar hasta que el carburante termine y el carburador esté vacío.
- Nunca use los productos para limpieza del carburador o del motor en el estanque de combustible pues se pueden producir daños permanentes.
- Use combustible nuevo la próxima temporada.

AVISO: El estabilizador de combustible es una alternativa aceptable para reducir a un mínimo la formación de depósitos de goma en el combustible durante el período de almacenamiento. Agregue estabilizador a la gasolina en el estanque de combustible o en el envase para el almacenamiento. Siempre siga la proporción de mezcla que se encuentra en el envase del estabilizador. Haga funcionar el motor por lo menos 10 minutos después de agregar el estabilizador, para permitir que este llegue al carburador. No drene la gasolina del estanque de gasolina y el carburador si se está usando estabilizador de combustible.

ACEITE DEL MOTOR

Drene el aceite (con el motor caliente) y cámbielo con aceite de motor limpio. (Vea "MOTOR" en la sección de Mantenimiento de este manual.)

CILINDRO

1. Remueva la bujía.
2. Vacíe una onza (29 ml) de aceite a través del agujero de la bujía en el cilindro.
3. Tire la manilla de arranque lentamente unas cuantas veces para distribuir el aceite.
4. Vuelva a montar la nueva bujía.

OTROS

- No guarde la gasolina de una temporada a la otra.
- Cambie el envase de la gasolina si se empieza a oxidar. La oxidación y/o la mugre en su gasolina producirán problemas.

- Si es posible, guarde su unidad en un recinto cerrado y cúbrala para protegerla contra el polvo y la mugre.
- Cubra su unidad con un forro protector adecuado que no retenga la humedad. No use plástico. El plástico no puede respirar, lo que permite la formación de condensación, lo que producirá la oxidación de su unidad.

IMPORTANTE: Nunca cubra la segadora mientras el motor y las áreas de escape todavía están calientes.

PRECAUCIÓN: Nunca almacene la segadora con gasolina en el estanque dentro de un edificio en donde los gases pueden alcanzar una llama expuesta o una chispa. Permita que se enfríe el motor antes de almacenarla en algún recinto cerrado.

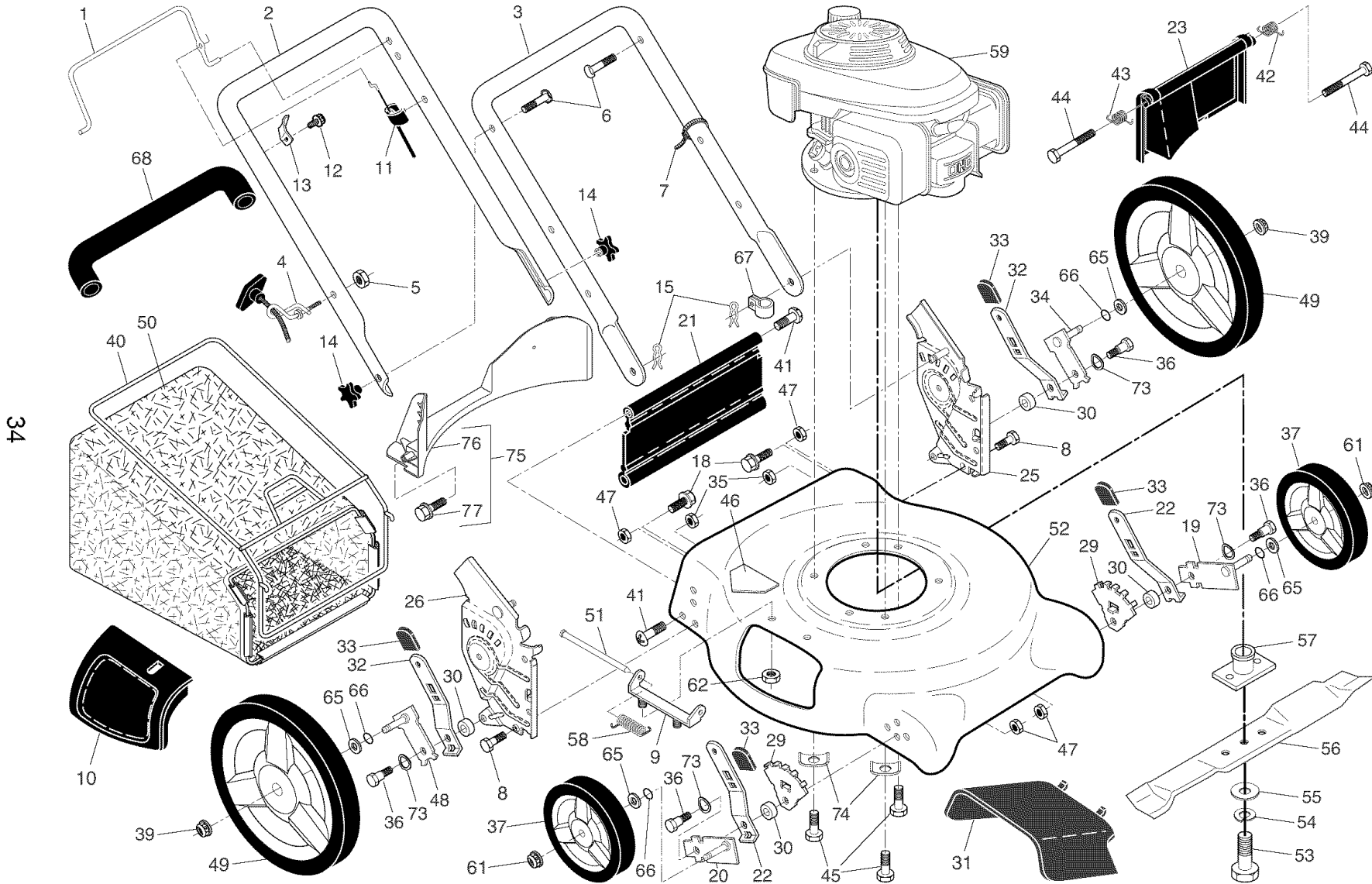
SOLUCIÓN DE PROBLEMAS - Vea la sección apropiada en el manual amenos que esté dirigido a un centro de servicio Sears.

| PROBLEMA | CAUSA | CORRECCIÓN |
|-------------------|---|---|
| No arranca | <ol style="list-style-type: none">1. Filtro de aire sucio.2. Sin combustible.3. Combustible rancio. 4. Agua en el combustible. 5. Alambre de la bujía desconectado.6. Bujía mala.7. Cuchilla suelta o adaptador de la cuchilla quebrado.8. Barra de control en la posición suelta.9. Barra de control defectuosa.10. Válvula del combustible (si equipada) está en la posición OFF.11. Batería débil (si equipada).12. Desconecte el conector de la batería (si equipada). | <ol style="list-style-type: none">1. Limpie/cambie el filtro de aire.2. Llène el estanque de combustible.3. Vaciar el estanque y vuelva a llenarlo con combustible limpio y nuevo.4. Vaciar el estanque y vuelva a llenarlo con combustible limpio y nuevo.5. Conecte el alambre a la bujía.6. Cambie la bujía.7. Apriete el perno de la cuchilla cambie el adaptador de la cuchilla.8. Presione la barra de control hacia el mango.9. Cambie la barra de control.10. Gire a la válvula del combustible a la posición ON.11. Cague la batería.12. Conecte la batería al motor. |

SOLUCIÓN DE PROBLEMAS - Vea la sección apropiada en el manual amenos que esté dirigido a un centro de servicio Sears.

| PROBLEMA | CAUSA | CORRECCIÓN |
|--|---|---|
| Falta de fuerza | <ol style="list-style-type: none"> 1. Cuchilla desgastada, doblada o suelta. 2. Altura de las ruedas dispareja. 3. Velocidad del motor lenta. 4. Acumulación de césped, hojas o basura debajo de la segadora. 5. Demasiado aceite en motor. 6. Velocidad de recorrido demasiado rápida. | <ol style="list-style-type: none"> 1. Ajuste a la posición de "Corte más alto." 2. Ajuste a la posición de "Corte más alto." 3. Limpie/cambie el filtro de aire. 4. Limpie la parte inferior de la caja de la segadora. 5. Revise el nivel del aceite. 6. Corte a una velocidad de recorrido más lenta. |
| Mal corte-disparejo | <ol style="list-style-type: none"> 1. Cuchilla desgastada, doblada o suelta. 2. Altura de las ruedas dispareja. 3. Acumulación de césped, hojas o basura debajo de la segadora. | <ol style="list-style-type: none"> 1. Cambie la cuchilla. Apriete el perno de la cuchilla. 2. Ajuste todas las ruedas a la misma altura. 3. Limpie la parte inferior de la caja de la segadora. |
| Vibración excesiva | <ol style="list-style-type: none"> 1. Cuchilla desgastada, doblada o suelta. 2. Cigüeñal del motor doblado. | <ol style="list-style-type: none"> 1. Cambie la cuchilla. Apriete el perno de la cuchilla. 2. Póngase en contacto con su centro de servicio Sears o con un otro centro de servicio cualificado. |
| Cordón arrancador difícil de tirar | <ol style="list-style-type: none"> 1. El freno del volante del motor está aplicado cuando se suelta la barra de control. 2. Cigüeñal del motor doblado. 3. Adaptador de la cuchilla quebrado. 4. La cuchilla se arrastra en el césped. | <ol style="list-style-type: none"> 1. Presione la barra de control hacia el mango superior antes de tirar el cordón arrancador. 2. Póngase en contacto con su centro de servicio Sears o con un otro centro de servicio cualificado. 3. Cambie el adaptador de la cuchilla. 4. Mueva la segadora a un lugar en donde el césped ha sido cortado o a una superficie firme para hacer arrancar el motor. |
| Recogedor de césped no se llena (si viene equipado) | <ol style="list-style-type: none"> 1. Altura de corte demasiado baja. 2. Levantamiento de la cuchilla desgastado. 3. Recogedor sin ventilación de aire. | <ol style="list-style-type: none"> 1. Eleve la altura de corte. 2. Cambie las cuchillas. 3. Limpie el recogedor de césped. |
| Difícil de empujar | <ol style="list-style-type: none"> 1. El césped está demasiado alto o la altura de la rueda demasiado baja. 2. Parte trasera de la caja/cuchilla de la segadora arrastrándose en el césped. 3. Recogedor de césped demasiado lleno. 4. Posición de la altura del mango no adecuada para usted. | <ol style="list-style-type: none"> 1. Eleve la altura de corte. 2. Eleve la parte trasera de la caja de la segadora (1) un lugar más alto. 3. Vacíe el recogedor de césped. 4. Ajuste la altura del mango de modo que le acomode. |

HUSQVARNA ROTARY LAWN MOWER -- MODEL NUMBER 917.384501



34

REPAIR PARTS

HUSQVARNA ROTARY LAWN MOWER - - MODEL NUMBER 917.384501

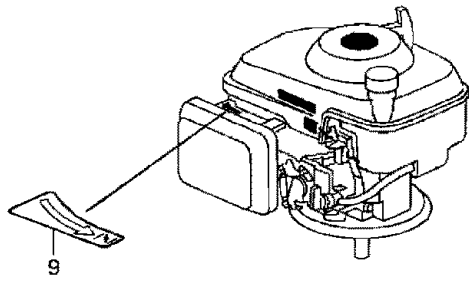
35

| KEY NO. | PART NO. | DESCRIPTION | KEY NO. | PART NO. | DESCRIPTION | KEY NO. | PART NO. | DESCRIPTION |
|---------|------------|------------------------------|---------|------------|--|--|------------|--|
| 1 | 194177X422 | Control Bar | 32 | 401624X004 | Selector Spring, Rear | 56 | 406712 | 21" Blade |
| 2 | 197808 | Upper Handle | 33 | 185574 | Selector Knob | 57 | 193707 | Blade Adapter |
| 3 | 169708X479 | Lower Handle | 34 | 401176X004 | Axle Arm Assembly, Rear, LH | 58 | 152124 | Hinge Spring |
| 4 | 194788 | Rope Guide | 35 | 166785 | Locknut, Hex 5/16-18 | 59 | --- | Engine, Honda, Model Number GCV160-LAS3A (See Breakdown) |
| 5 | 132004 | Nut, Hex | 36 | 401638 | Shoulder Bolt 5/16-18 | | | |
| 6 | 191574 | Handle Bolt | 37 | 401273X460 | Wheel & Tire Assembly, Front | | | |
| 7 | 66426 | Wire Tie | 39 | 145212 | Flanged Locknut, Hex | 61 | 409148 | Nut, Hex |
| 8 | 74780512 | Bolt, Hex Head 5/16-18 x 3/4 | 40 | 401808 | Frame, Grassbag | 62 | 73800400 | Locknut, Hex 1/4-20 |
| 9 | 154132 | Hinge Bracket | 41 | 88652 | Hinge Screw | 65 | 88348 | Washer, Flat |
| 10 | 185589 | Mulcher Door | 42 | 405421 | Spring, Rear Door, LH | 66 | 197480 | O-Ring |
| 11 | 176556 | Engine Zone Control Cable | 43 | 405423 | Spring, Rear Door, RH | 67 | 197991 | Clip, Cable |
| 12 | 750634 | Hex Washer Head Screw | 44 | 184193 | Bolt, Rear Door | 68 | 164265 | Grip, Foam |
| 13 | 86899X004 | Up-Stop Bracket | 45 | 150406 | Screw, Hex Head, Threaded, Rolled 3/8-16 x 1 | 73 | 401630 | Washer, Curved |
| 14 | 185588 | Handle Knob | | | | 74 | 851201X004 | Washer, Special, Engine Kit, Rear Baffle (Includes 3 Screws) |
| 15 | 51793 | Hairpin Cotter | 46 | 404763 | Danger Decal | 75 | 413693 | |
| 18 | 17600406 | Screw 1/4-20 x 3/8 | 47 | 751153 | Nut, Hex | | | |
| 19 | 401174X004 | Axle Arm Assembly, Front, LH | 48 | 401177X004 | Axle Arm Assembly, Rear, RH | 76 | 410589 | Baffle, Rear |
| 20 | 401175X004 | Axle Arm Assembly, Front, RH | 49 | 401277X460 | Wheel & Tire Assembly, Rear | 77 | 17411312 | Screw, Rear Baffle |
| 21 | 189008 | Rear Skirt | 50 | 401191 | Grassbag | -- | 404764 | Warning Decal (not shown) |
| 22 | 401621X004 | Selector Spring, Front | 51 | 147286 | Hinge Rod | -- | 412627 | Owner's Manual |
| 23 | 401814X428 | Rear Door Assembly | 52 | 413863 | Kit, Housing (Includes Key Number 46) | Available accessories not included with mower: | | |
| 25 | 410385X479 | Handle Bracket Assembly, LH | | | | -- | 71 33623 | Gas Can (2.5 Gallon Container) |
| 26 | 410386X479 | Handle Bracket Assembly, RH | 53 | 851084 | Screw, Hex Head, Grade 8 3/8-24 x 1-3/8 | -- | 71 33500 | Fuel Stabilizer |
| 29 | 407494X005 | Wheel Adjusting Bracket | | | | -- | 71 33000 | SAE 30W Oil (20 Ounce Bottle) |
| 30 | 401629 | Spacer | 54 | 850263 | Helical Lockwasher | | | |
| 31 | 185595 | Discharge Deflector | 55 | 851074 | Hardened Washer | | | |

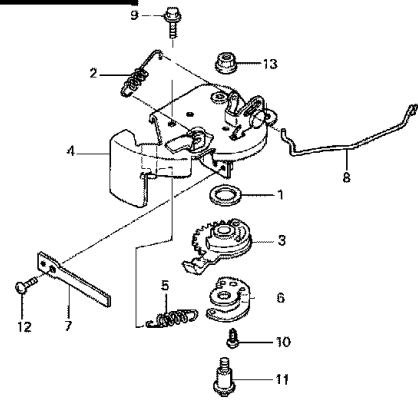
NOTE: All component dimensions given in U.S. inches. 1 inch = 25.4 mm

IMPORTANT: Use only Original Equipment Manufacturer (O.E.M.) replacement parts. Failure to do so could be hazardous, damage your lawn mower and void your warranty.

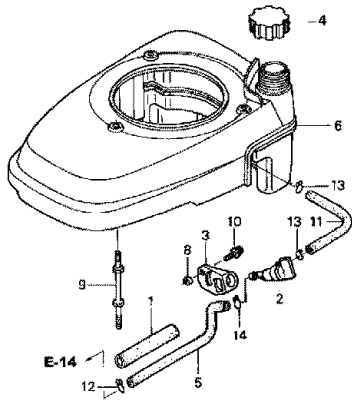
LABEL



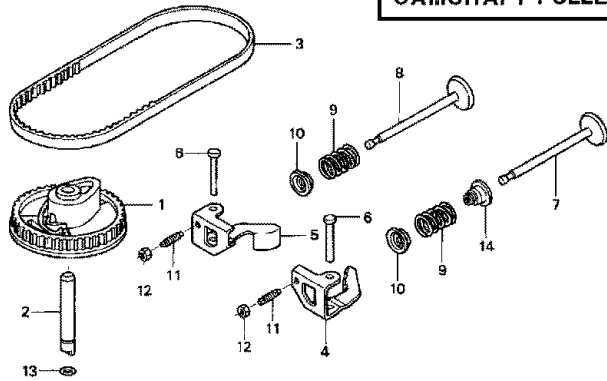
CHOKE



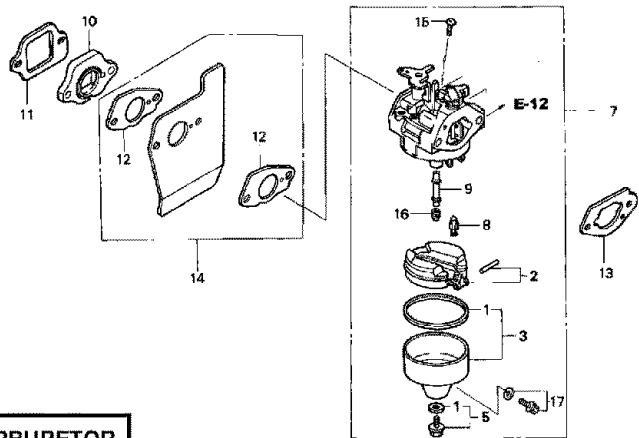
FAN COVER



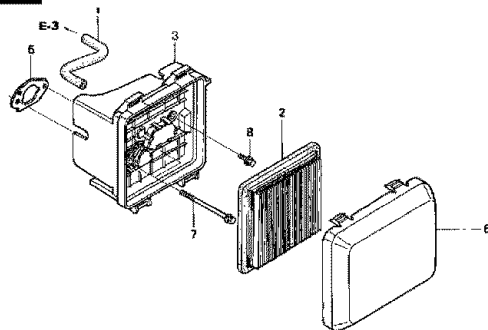
CAMSHAFT PULLEY



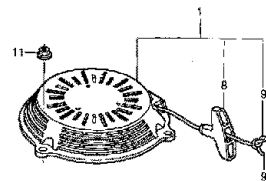
CARBURETOR



AIR CLEANER



RECOIL STARTER



LABELS

| KEY NO. | PART NO. | DESCRIPTION |
|---------|----------|------------------------|
| 9 | 7400187 | Mark, Choke Indication |

CHOKE

| KEY NO. | PART NO. | DESCRIPTION |
|---------|----------|----------------------------|
| 1 | 7257157 | Seal, Choke Lever |
| 2 | 4209581 | Spring, Cable Return |
| 3 | 7257165 | Lever, Choke |
| 4 | 7257173 | Base Comp., Choke |
| 5 | 7257181 | Spring, Choke Lever |
| 6 | 7257199 | Hook, Choke Spring |
| 7 | 7257207 | Plate, Choke |
| 8 | 7229867 | Rod, Stop |
| 9 | 0747733 | Bolt, Flange #6 x 16 |
| 10 | 3674413 | Screw, Tapping #4 x 8 (PO) |
| 11 | 2544690 | Screw, Pan Head #5 x 19 |
| 12 | 0369017 | Screw, Pan Head #4 x 8 |
| 13 | 0636951 | Nut, Flange 5 mm |

FAN COVER

| KEY NO. | PART NO. | DESCRIPTION |
|---------|----------|----------------------------|
| 1 | 3683646 | Rubber Supporter (107 mm) |
| 2 | 7357379 | Cock Assembly, Fuel |
| 3 | 5189352 | Bracket, Fuel Cock |
| 4 | 6673289 | Cap Assembly, Fuel Tank |
| 5 | 5580469 | Tube, Fuel |
| 6 | 7399371 | Cover Comp., Fan (T89) |
| 8 | 6978399 | Collar, Fuel Cock |
| 9 | 5581004 | Bolt, Stud |
| 10 | 0671636 | Screw, Washer Head #5 x 10 |
| 11 | 6754279 | Tube, Fuel Tank |
| 12 | 0250647 | Clip, Tube (B8) |
| 13 | 0250985 | Clip, Tube (1310) |
| 14 | 0053447 | Clip, Tube (C9) |

RECOIL STARTER

| KEY NO. | PART NO. | DESCRIPTION |
|---------|----------|--------------------------|
| 1 | 6092886 | Starter Assembly, Recoil |
| 8 | 5580634 | Grip, Starter |
| 9 | 5580642 | Rope, Recoil Starter |
| 11 | 6478812 | Nut, Flange 6 mm |

CAMSHAFT PULLEY

| KEY NO. | PART NO. | DESCRIPTION |
|---------|----------|-------------------------------|
| 1 | 7049679 | Pulley Comp., Camshaft |
| 2 | 5580063 | Shaft, Cam Pulley |
| 3 | 7058985 | Belt, Timing (84HU7 G200) |
| 4 | 5580089 | Rocker Arm, Intake Valve |
| 5 | 5580097 | Rocker Arm, Exhaust Valve |
| 6 | 5580105 | Shaft, Rocker Arm |
| 7 | 5580113 | Valve, Intake |
| 8 | 5580121 | Valve, Exhaust |
| 9 | 5580139 | Spring, Valve |
| 10 | 1426980 | Retainer, Intake Valve Spring |
| 11 | 0294819 | Screw, Tappet Adjusting |
| 12 | 0004598 | Nut, Tappet Adjusting |
| 13 | 6315873 | ORing 6.8 x 1.9 (ARAI) |
| 14 | 6839831 | Seal, Valve Stem |

CARBURETOR

| KEY NO. | PART NO. | DESCRIPTION |
|---------|----------|-------------------------------|
| 1 | 3088416 | Packing Set |
| 2 | 5580162 | Float Set |
| 3 | 3465879 | Chamber Set, Float |
| 5 | 1441518 | Screw Set |
| 7 | 7301138 | Carburetor Assembly (BB62G A) |
| 8 | 5580212 | Valve, Float |
| 9 | 5580220 | Nozzle, Main |
| 10 | 5580238 | Insulator, Carburetor |
| 11 | 5580246 | Packing, Insulator |
| 12 | 4581120 | Packing, Carburetor |
| 13 | 5580253 | Packing, Carburetor |
| 14 | 5580535 | Guide Comp., Air |
| 15 | 0639419 | Screw, Pan Head #5 x 6 |
| 16 | 0635474 | Jet, Main #60 |
| | 0635482 | Jet, Main #62 |
| | 0636126 | Jet, Main #65 |
| 17 | 1672187 | Screw Set, Drain |

AIR CLEANER

| KEY NO. | PART NO. | DESCRIPTION |
|---------|----------|------------------------------|
| 1 | 5720289 | Tube, Breather |
| 2 | 6718159 | Element, Air Cleaner |
| 3 | 5580410 | Case Assembly, Air Cleaner |
| 5 | 5664560 | Packing, Air Cleaner |
| 6 | 6673255 | Cover, Air Cleaner |
| 7 | 5580964 | Bolt, Flange #6 x 86 (CT200) |
| 8 | 2374742 | Bolt, Flange #6 x 14 |

FLYWHEEL

| KEY NO. | PART NO. | DESCRIPTION |
|---------|----------|---------------------------------|
| 1 | 0348433 | Key, Special, Woodruff #25 x 18 |
| 3 | 6859722 | Coil Assembly, Ignition |
| 4 | 6859714 | Flywheel Assembly |
| 5 | 6315816 | Cord, Stop Switch |
| 6 | 5580683 | Switch Assembly, Engine Stop |
| 8 | 5580790 | Spring, Brake Lever |
| 10 | 0803619 | Bolt, Flange #6 x 14 (CT200) |
| 11 | 1725050 | Bolt, Flange #6 x 23 (CT200) |
| 12 | 0671552 | Bolt, Flange #6 x 20 (CT200) |
| 13 | 0442038 | Nut, Special 14 mm |
| 15 | 0485946 | Screw, Washer Head #4x12 |
| 16 | 1510361 | Washer, Plain 4 mm |
| 19 | 1824630 | Clip A, Cable |
| 20 | 1240845 | Grommet A, Rear Cover |
| 21 | 7301591 | Brake Sub-Assembly |

CYLINDER BARREL

| KEY NO. | PART NO. | DESCRIPTION |
|---------|----------|------------------------------|
| 1 | 6842413 | Barrel Assembly, Cylinder |
| 2 | 2399780 | Clip, Valve Guide |
| 3 | 5579990 | Cover, Head |
| 4 | 5580006 | Cover Comp., Breather |
| 5 | 0636845 | Bolt, Flange #6 x 12 (CT200) |
| 6 | 0803619 | Bolt, Flange #6 x 14 (CT200) |
| 7 | 5581038 | Oil Seal 25A x 62 x 6 |
| 8 | 1441112 | Plug, Spark (BPR6ES) (NGK) |
| 9 | 1899848 | Guide, Exhaust Valve (O.S.) |

PISTON / CONNECTING ROD

| KEY NO. | PART NO. | DESCRIPTION |
|---------|----------|----------------------------|
| 1 | 5580014 | Piston |
| 2 | 1426576 | Pin, Piston |
| 3 | 5580022 | Rod Assembly, Connecting |
| 4 | 1431055 | Bolt, Connecting Rod |
| 5 | 2605517 | Clip, Piston Pin 13 mm |
| 6 | 5655949 | Ring Set, Piston (Riken) |
| | 7154727 | Ring Set, Piston (Teikoku) |

CRANKSHAFT

| KEY NO. | PART NO. | DESCRIPTION |
|---------|----------|------------------|
| 3 | 5664495 | Crankshaft Comp. |
| 5 | 5581012 | Washer, Thrust |

OIL PAN

| KEY NO. | PART NO. | DESCRIPTION |
|---------|----------|------------------------------|
| 1 | 6771489 | Pan Assembly, Oil |
| 2 | 5716915 | Gauge Assembly, Oil Level |
| 4 | 1452754 | Packing, Oil Filler cap |
| 5 | 5664503 | Extension, Oil Filler |
| 6 | 5664511 | Washer, Extension Rock |
| 8 | 6384341 | Shaft Comp., Governor Holder |
| 9 | 6384333 | Governor Assembly |
| 10 | 5580287 | Weight, Governor |
| 11 | 5580295 | Holder, Governor Weight |
| 12 | 1427244 | Pin, Governor Weight |
| 13 | 1427251 | Slider, Governor |
| 14 | 5580303 | Shaft, Governor Arm |
| 15 | 0803619 | Bolt, Flange #6 x 14 (CT200) |
| 16 | 0748111 | Bolt, Flange #6 x 25 |
| 17 | 2413862 | Washer, Thrust 6 mm |
| 18 | 2456697 | Clip, Governor Holder |
| 19 | 5581046 | Oil Seal 28 x 41.25 x 6 |
| 20 | 1377704 | ORing 14.8 x 2.4 (NOK) |
| 21 | 0345900 | Washer, Plain 6 mm |
| 22 | 0115527 | Pin, Lock 8 mm |
| 23 | 1417369 | Dowel Pin #8 x 20 |

MUFFLER

| KEY NO. | PART NO. | DESCRIPTION |
|---------|----------|------------------------------|
| 1 | 5580485 | Muffler, Complete |
| 2 | 5664610 | Protector, Muffler (CBU) |
| 3 | 5737457 | Gasket, Muffler |
| 4 | 5580972 | Bolt, Flange #6 x 79 (CT200) |
| 5 | 0636845 | Bolt, Flange #6 x 12 (CT200) |
| 6 | 5656012 | Spark Arrester |
| 7 | 5611397 | Plate, Arrester Number |
| 8 | 1431121 | Screw, Tapping #4 x 6 |

Get it fixed, at your home or ours!

Your Home

For repair – **in your home** – of **all** major brand appliances, lawn and garden equipment, or heating and cooling systems, **no matter who made it, no matter who sold it!**

For the replacement parts, accessories and owner's manuals that you need to do-it-yourself.

For Sears professional installation of home appliances and items like garage door openers and water heaters.

1-800-4-MY-HOME[®] Anytime, day or night
(1-800-469-4663) (U.S.A. and Canada)
www.sears.com www.sears.ca

Our Home

For repair of carry-in products like vacuums, lawn equipment, and electronics, call or go on-line for the nearest **Sears Parts and Repair Center.**

1-800-488-1222 Anytime, day or night (U.S.A. only)
www.sears.com

To purchase a protection agreement (U.S.A.) or maintenance agreement (Canada) on a product serviced by Sears:

1-800-827-6655 (U.S.A.) **1-800-361-6665** (Canada)

Para pedir servicio de reparación a domicilio, y para ordenar piezas:

1-888-SU-HOGAR[®]
(1-888-784-6427)

Au Canada pour service en français:

1-800-LE-FOYER^{MC}
(1-800-533-6937)
www.sears.ca



© Sears Brands, LLC

® Registered Trademark / TM Trademark / SM Service Mark of Sears Brands, LLC

© Marca Registrada / TM Marca de Fábrica / SM Marca de Servicio de Sears Brands, LLC

^{MC} Marque de commerce / ^{MD} Marque déposée de Sears Brands, LLC