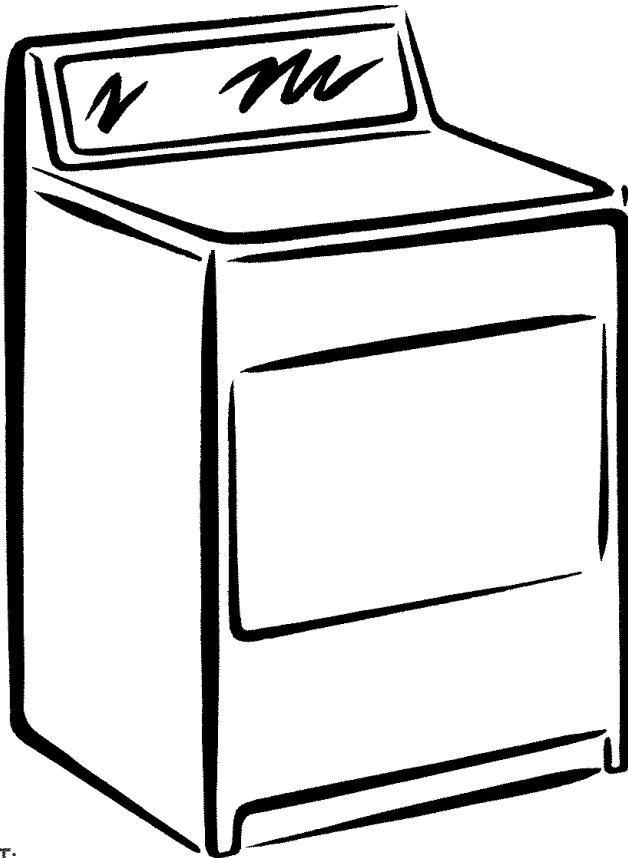


# Owner's Manual and Installation Instructions



## SENSOR SMART™ 27-Inch Wide ELECTRIC DRYERS



**IMPORTANT:**

Read and follow all safety  
and operating instructions  
before first use of this product.

Sears, Roebuck and Co., Hoffman Estates, IL 60179 U.S.A.  
[www.sears.com](http://www.sears.com)

# TABLE OF CONTENTS

BEFORE USING YOUR NEW DRYER	2
KENMORE ELITE™ DRYER WARRANTY	3
DRYER SAFETY	4
INSTALLATION INSTRUCTIONS	6
OPERATING YOUR DRYER	30
LAUNDRY TIPS	41
CARING FOR YOUR DRYER	43
TROUBLESHOOTING	47
SEARS MAINTENANCE AGREEMENT	49

## BEFORE USING YOUR NEW DRYER

Please read this manual. It will help you install and operate your new Kenmore ELITE™ dryer in the most economical way.

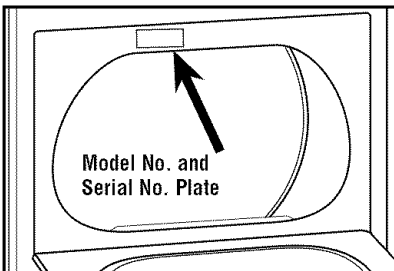
If you need more information about the care and operation of Kenmore ELITE™ appliances call your nearest Sears store. You will need the complete model and serial numbers when requesting information. Your dryer's model and serial numbers are located on the Model and Serial Number Plate.

Use the space below to record the model number and serial number of your new Kenmore ELITE™ dryer.

Model No. \_\_\_\_\_

Serial No. \_\_\_\_\_

Date of Purchase \_\_\_\_\_



Keep this book and your Sears Salescheck (receipt) in a safe place for future reference.

# KENMORE ELITE™ DRYER WARRANTY

## Full One Year Warranty on Mechanical and Electrical Parts

For one year from the date of purchase, if this dryer is installed and operated according to the instructions in this manual, Sears will repair or replace any of its mechanical or electrical parts if they are defective in material or workmanship.

**NOTE:** Exhausting your dryer with a plastic vent may void this warranty. Pages 24-28 of this manual describe the complete exhaust requirements for this dryer.

## Limited 2-Year Warranty on SENSOR SMART™ Control Board

For two years from the date of purchase, Sears will replace the SENSOR SMART™ control board if it is defective in material or workmanship. You will be charged for labor after the first year.

## Warranty Restriction

If the dryer is subjected to other than private family use, all warranty coverage is effective for only 90 days.

## Warranty Service

Warranty service is available by contacting your nearest Sears Service Center in the United States.

This warranty applies only while this dryer is in use in the United States.

This warranty gives you specific legal rights, and you may also have other rights which vary from state to state.

**Sears, Roebuck and Co., Dept. 817WA,  
Hoffman Estates, IL 60179.**

For Sears Warranty information or to contact a Sears Service Center, call 1-800-4-MY-HOME (1-800-469-4663).

## DRYER SAFETY

### Your safety and the safety of others is very important.

We have provided many important safety messages in this manual and on your appliance. Always read and obey all safety messages.



This is the safety alert symbol. This symbol alerts you to hazards that can kill or hurt you and others. All safety messages will be preceded by the safety alert symbol and the word "DANGER" or "WARNING." These words mean:

**⚠ DANGER**

You will be killed or seriously injured if you don't follow instructions.

**⚠ WARNING**

You can be killed or seriously injured if you don't follow instructions.

All safety messages will identify the hazard, tell you how to reduce the chance of injury, and tell you what can happen if the instructions are not followed.

## IMPORTANT SAFETY INSTRUCTIONS

**WARNING:** To reduce the risk of fire, electric shock, or injury to persons when using the dryer, follow basic precautions, including the following:

- Read all instructions before using the dryer.
- Do not place items exposed to cooking oils in your dryer. Items contaminated with cooking oils may contribute to a chemical reaction that could cause a load to catch fire.
- Do not dry articles that have been previously cleaned in, washed in, soaked in, or spotted with gasoline, dry-cleaning solvents, other flammable, or explosive substances as they give off vapors that could ignite or explode.
- Do not allow children to play on or in the dryer. Close supervision of children is necessary when the dryer is used near children.
- Before the dryer is removed from service or discarded, remove the door to the drying compartment.
- Do not reach into the dryer if the drum is moving.
- Do not install or store the dryer where it will be exposed to the weather.
- Do not tamper with controls.
- Do not repair or replace any part of the dryer or attempt any servicing unless specifically recommended in this Owner's Manual or in published user-repair instructions that you understand and have the skills to carry out.
- Do not use fabric softeners or products to eliminate static unless recommended by the manufacturer of the fabric softener or product.
- Do not use heat to dry articles containing foam rubber or similarly textured rubber-like materials.
- Clean lint screen before or after each load.
- Keep area around the exhaust opening and adjacent surrounding areas free from the accumulation of lint, dust, and dirt.
- The interior of the dryer and exhaust vent should be cleaned periodically by qualified service personnel.
- See Installation Instructions for grounding requirements.

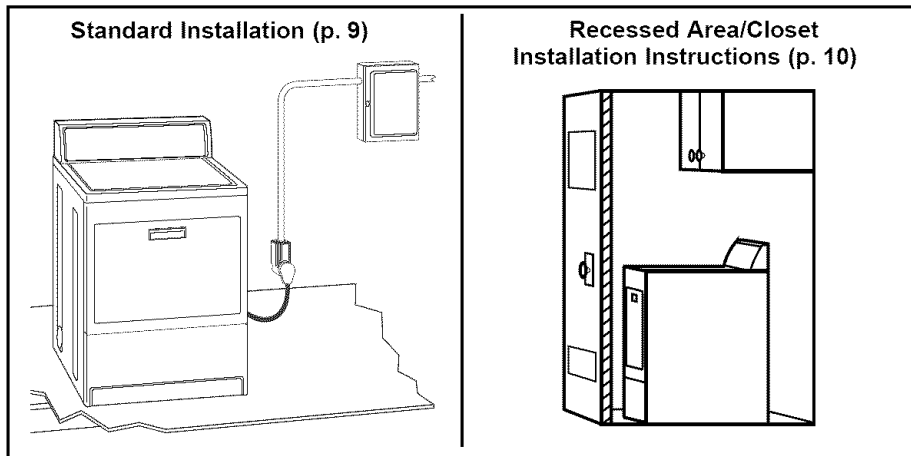
**SAVE THESE INSTRUCTIONS**

# INSTALLATION INSTRUCTIONS

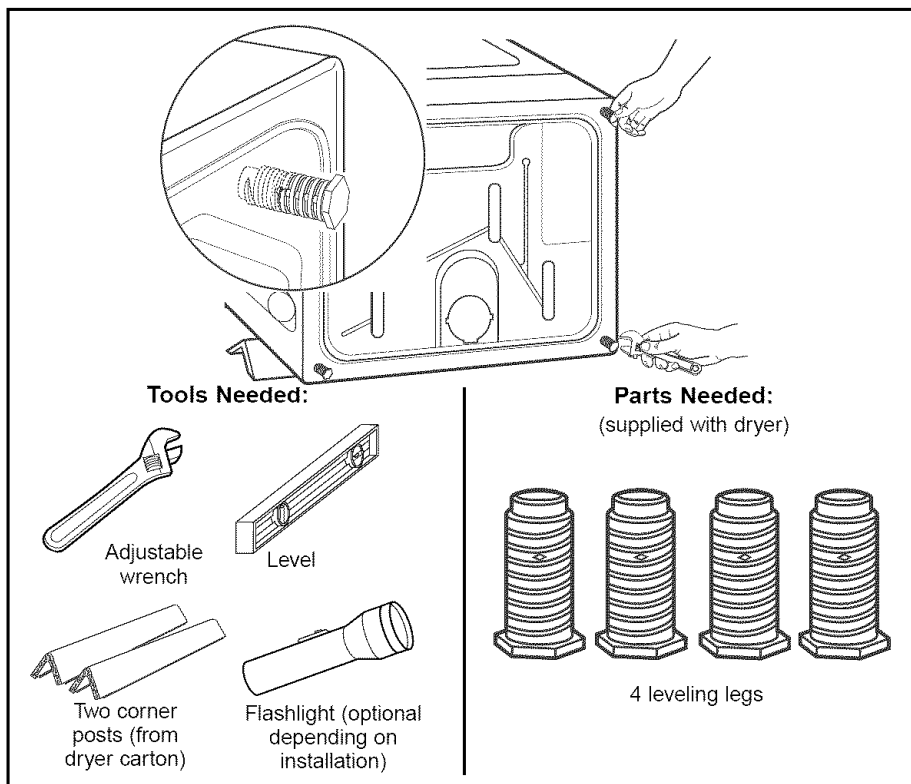
## INSTALLATION OVERVIEW

For a complete list of tools and parts needed, see pages 6-8.

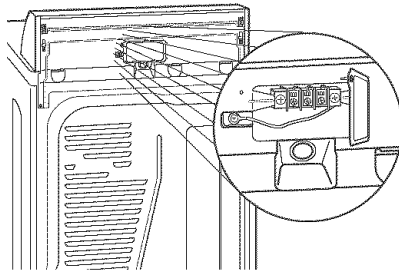
### A. SELECT LOCATION FOR YOUR DRYER (pgs. 9-11)



### B. INSTALL LEVELING LEGS (p. 12)



**C. MAKE ELECTRICAL CONNECTION (pgs. 13-23)**

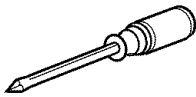


**If using a power cord:**

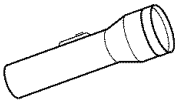
**Tools Needed:**



1/4-inch nut driver (shown) or socket wrench

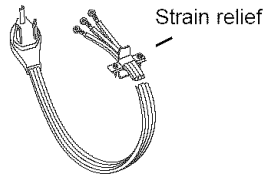


#2 Phillips head screwdriver



Flashlight (optional depending on installation)

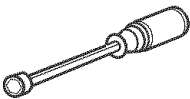
**Parts Needed:**



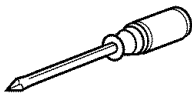
New 3- or 4-wire, 30-amp., U.L.-listed power supply cord kit (includes strain relief)

**If making a direct wire connection:**

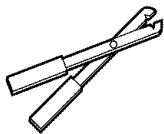
**Tools Needed:**



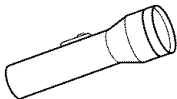
1/4-inch nut driver (shown) or socket wrench



#2 Phillips head screwdriver



Wire stripper

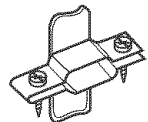


Flashlight (optional depending on installation)

**Parts Needed:**

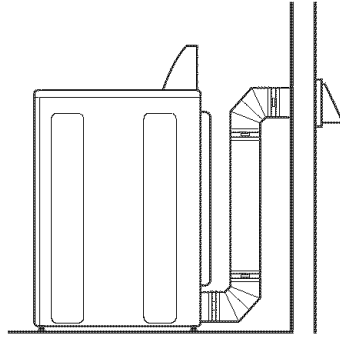


10-gauge, 3- or 4-wire, flexible armored or nonmetallic sheathed copper cable (with grounding wire).

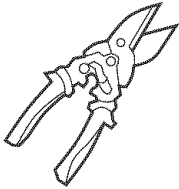


1/4-inch, U.L.-listed strain relief

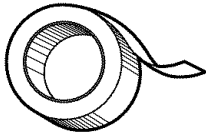
D. CONNECT EXHAUST (pgs. 24-28)



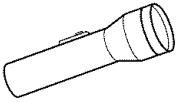
**Tools Needed:**



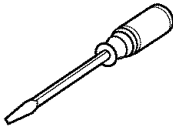
Tin snips



Duct tape

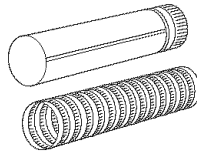


Flashlight  
(optional depending  
on installation)

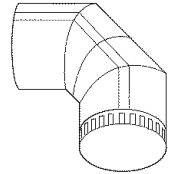


Flat-bladed  
screwdriver

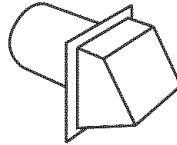
**Parts Needed:**



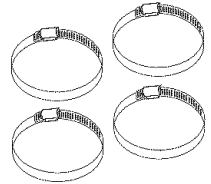
4-inch heavy or  
flexible metal vent



4-inch metal elbow(s)  
(optional depending  
on installation)



4-inch outlet  
exhaust hood



(4) 4-inch  
diameter clamps



## A. SELECT LOCATION FOR YOUR DRYER

### *for your* **Benefit**

Selecting the proper location for your dryer makes installation easy and gives you the best drying performance.

#### STANDARD INSTALLATION

Check location where dryer will be installed. Proper installation is your responsibility. Make sure you have everything necessary for correct installation (see illustration below).

The dryer must not be installed where it can be exposed to water and/or weather.

- Proper operation of dryer cycles requires temperatures above 45°F (at lower temperatures, the dryer may not shut off at the end of automatic cycles and drying times will be extended).

## **⚠ WARNING**



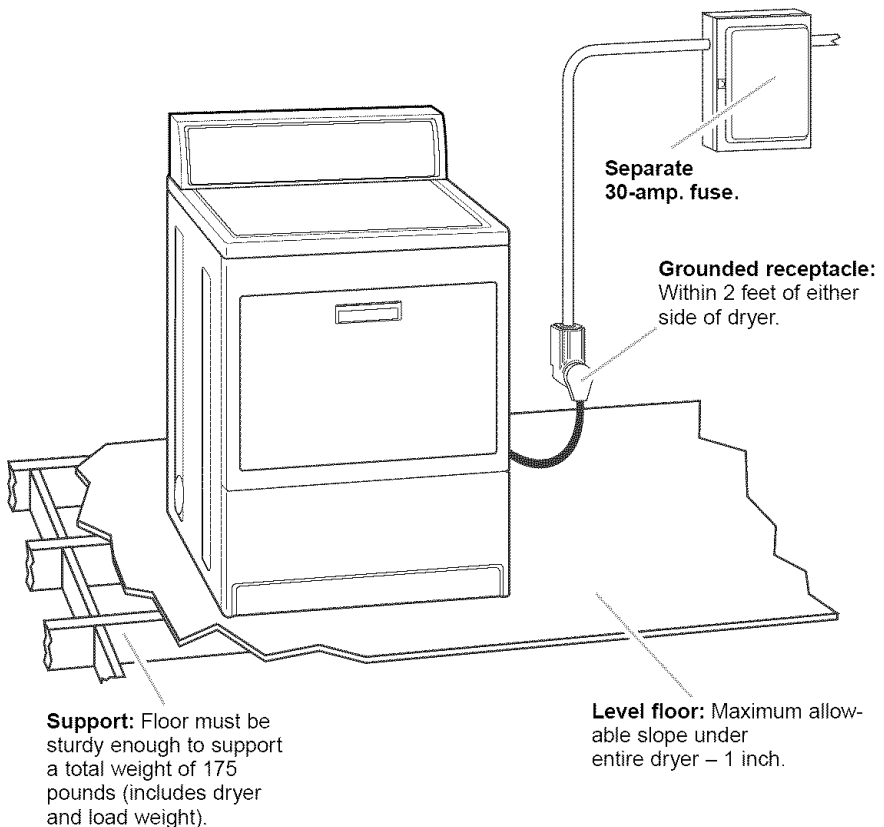
### Explosion Hazard

Keep flammable materials and vapors, such as gasoline, away from dryer.

Place dryer at least 18 inches (46 cm) above the floor for a garage installation.

Failure to do so can result in death, explosion, or fire.

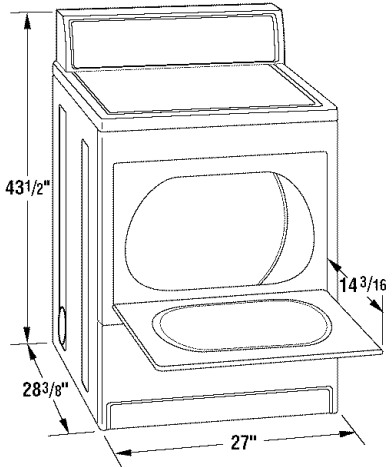
- Check code requirements. Some codes limit or do not permit installation of clothes dryers in garages, closets, mobile homes, or sleeping quarters. Contact your local building inspector.



## DRYER DIMENSIONS

Most installations will require at least 5-inch clearance behind the dryer for the dryer vent.

Location must be large enough to fully open dryer door.



## RECESSED AREA/CLOSET INSTALLATION INSTRUCTIONS

Check governing codes and ordinances. This dryer may be installed in a recessed area or closet.

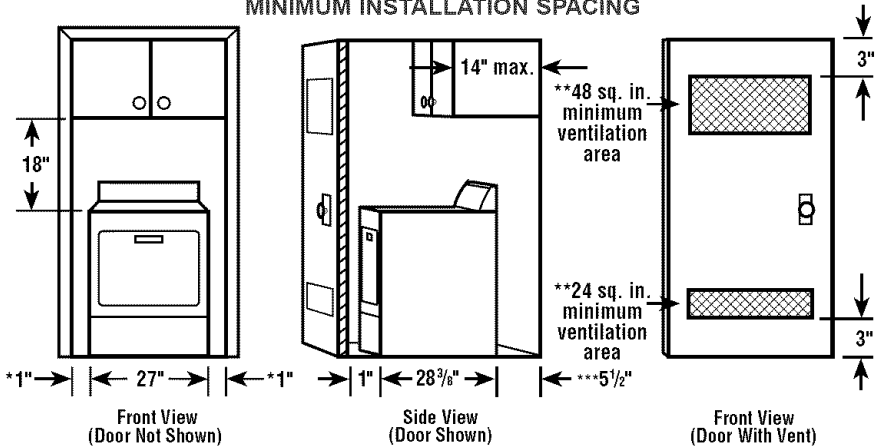
The dryer must not be installed where it can be exposed to water and/or weather.

- Proper operation of dryer cycles requires temperatures above 45°F (at lower temperatures, the dryer may not shut off at the end of automatic cycles and drying times will be extended).
- Check code requirements. Some codes limit or do not permit installation of clothes dryers in garages, closets, mobile homes, or sleeping quarters. Contact your local building inspector.

**WARNING:** To reduce the risk of fire, this appliance **MUST BE EXHAUSTED OUTDOORS.**

**NOTE:** No fuel-burning appliances may be installed in the same closet as a dryer.

## MINIMUM INSTALLATION SPACING



- \* Additional clearances for wall, door and floor moldings may be required. 0" clearance is acceptable but not recommended.
- \*\* Opening is minimum for closet door. Louvered door with equivalent air openings is acceptable.
- \*\*\* Additional space is needed when external exhaust elbow is used. Can be 0" clearance when house exhausting is lined up directly with dryer exhaust.

- In the above illustration, the installation spacing is in inches and is the minimum allowable.
- Additional spacing should be considered for ease of installation and servicing.
- If closet door is installed, the minimum air openings in top and bottom are required. Louvered doors with equivalent air openings in top and bottom are acceptable.
- All installations must be exhausted outside. Use at least the minimum dimensions indicated.

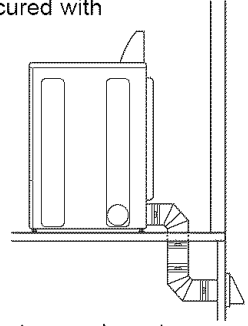
## MOBILE HOME EXHAUST REQUIREMENTS

The dryer must not be installed where it can be exposed to water and/or weather. Proper operation of dryer cycles requires temperatures above 45°F (at lower temperatures, the dryer may not shut off at the end of automatic cycles and drying times will be extended).

This dryer is suitable for mobile home installations. The installation must conform to the Manufactured Home Construction and Safety Standard, Title 24 CFR, Part 3280 (formerly the Federal Standard for Mobile Homes Construction and Safety, Title 24, HUD Part 280).

Use at least the minimum spacings as described on page 10. This will ensure an adequate clearance for service and operation.

- Dryer exhaust vent must not be connected or secured with screws or other devices which extend into the interior of the vent.



- The exhaust vent must be securely fastened to a noncombustible portion of the mobile home structure and must not terminate beneath the mobile home.

**WARNING:** to reduce the risk of fire, this appliance **MUST BE EXHAUSTED OUTDOORS.**

## B. INSTALL LEVELING LEGS

### *for your* **Benefit**

Leveling your dryer correctly will reduce operating noise and provide improved drying performance.

### **⚠ WARNING**

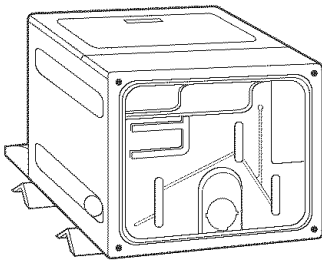
#### **Excessive Weight Hazard**

Use two or more people to move and install dryer.

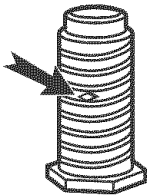
Failure to do so can result in back or other injury.

**STEP 1.** Take two of the cardboard corners from the carton. Place them on the floor in back of the dryer.

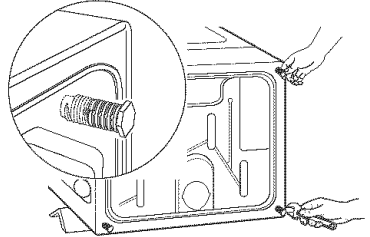
**STEP 2.** Firmly grasp the body of the dryer (not the top or console panel). Gently lay dryer on the cardboard corners.



**STEP 3.** With one of the legs in hand, check the ridges for a diamond marking.

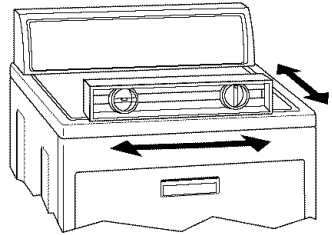


**STEP 4.** Start to screw the legs into the holes by hand. Use a wrench to finish turning the legs until diamond marking is no longer visible. This is when we recommend you start checking the dryer for levelness. Further adjustment may be necessary.

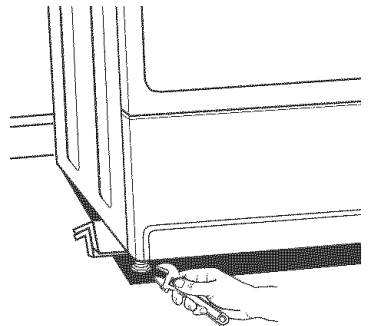


**STEP 5.** Stand the dryer up and move it close to its final location. Leave enough room to connect the exhaust vent.

**STEP 6.** Check levelness of dryer by placing a level on top of the dryer, first side-to-side; then front-to-back.



**STEP 7.** If dryer is not level, prop the dryer up using two stacked cardboard corner posts. Use a wrench to adjust the legs up or down.



**NOTE:** It may be necessary to level the dryer again after it is moved into its final position.

## C. MAKE ELECTRICAL CONNECTION

### It is your responsibility:

- To contact a qualified electrical installer.
- To assure that the electrical installation is adequate and in conformance with the National Electrical Code, ANSI/NFPA 70 – latest edition and all local codes and ordinances.

Copies of the code standards listed above may be obtained from:

**National Fire Protection Association**  
**Batterymarch Park**  
**Quincy, Massachusetts 02269**

## ELECTRICAL REQUIREMENTS

### *for your Benefit*

**The proper electrical connection ensures an installation that meets local code requirements.**

A three-wire or four-wire, single phase, 120/240-volt, 60-Hz., AC-only, electrical supply (or three-wire or four-wire, 120/208-volt if specified on serial/rating plate) is required on a separate 30-ampere circuit, fused on both sides of the line. A time-delay fuse or circuit breaker is recommended.

This dryer is manufactured with the 3-wire, frame-grounding conductor connected to the NEUTRAL (white or center) of the wiring harness of the terminal block. Do not have a fuse in the neutral or grounding circuit. A fuse in the neutral or grounding circuit could result in an electrical shock.

Use a 4-conductor cord when the dryer is installed in a mobile home or an area where local codes do not permit grounding through the neutral.

## ELECTRICAL CONNECTION OPTIONS

If Your Home Has:		And You Will Be Connecting To:	Go To Page
3-wire electrical receptacle (NEMA Type 10-30R)		A U.L.-listed, 120/240-volt minimum, 30-amp., dryer power supply cord.*	14 – I.
3-wire direct		A fused disconnect or circuit breaker box.*	16 – II.
4-wire electrical receptacle (NEMA Type 14-30R)		A U.L.-listed, 120/240-volt minimum, 30-amp., dryer power supply cord.	19 – III.
4-wire direct		A fused disconnect or circuit breaker box.	22 – IV.

\*If local codes do not permit the connection of a frame-grounding conductor to the neutral wire, see the instructions on page 18.

# I. THREE-WIRE ELECTRICAL CONNECTION TO RECEPTACLE

Use a 3-wire power supply cord:

## ⚠ WARNING



### Fire Hazard

Use a new UL approved 30 ampere power supply cord.

Use a UL approved strain relief.

Disconnect power before making electrical connections.

Connect neutral wire (white or center wire) to center terminal (silver).

Ground wire (green or bare wire) must be connected to green ground connector.

Connect remaining 2 supply wires to remaining 2 terminals (gold).

Securely tighten all electrical connections.

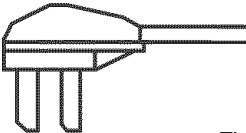
Failure to do so can result in death, fire, or electrical shock.

Local codes may permit the use of a U.L.-listed, 120/240-volt minimum, 30-ampere, dryer power supply cord kit (pigtail). Power supply cord should be type SRD or SRDT and be at least four feet long. The wires that connect to the dryer must end with ring terminals or spade terminals with upturned ends.

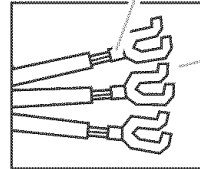
Do not use an extension cord with this dryer.

Do not connect plug end of power supply cord into a live receptacle before connecting power supply cord to dryer terminal block.

The power supply cord must have three, No.-10 copper wires to match a three-wire receptacle of NEMA Type 10-30R.



Spade terminals with upturned ends (OR ring terminals)

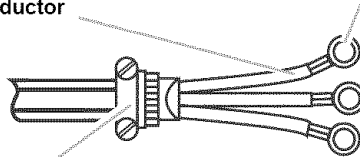
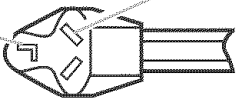


Connect wire with ends facing you

Ring terminals (OR spade terminals)

This blade connected to this conductor

Neutral

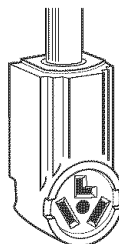


3/4-inch, U.L.-listed strain relief

Neutral wire (white)

Three-Wire Power Supply Cord

Three-wire receptacle (NEMA Type 10-30R)



## GROUNDING INSTRUCTIONS

This appliance must be grounded. In the event of malfunction or breakdown, grounding will reduce the risk of electric shock by providing a path of least resistance for electric current. The power supply cord must be plugged into an appropriate outlet that is properly installed and grounded in accordance with all local codes and ordinances.

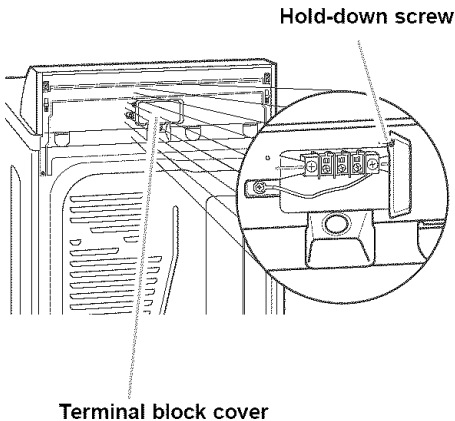
**WARNING:** Improper connection of the equipment-grounding conductor can result in a risk of electric shock. Check with a qualified electrician or serviceman if you are in doubt as to whether the appliance is properly grounded.

Do not modify the plug on the power supply cord. If it will not fit the outlet, have a proper outlet installed by a qualified electrician.

## SAVE THESE INSTRUCTIONS

**STEP 1.** Disconnect power.

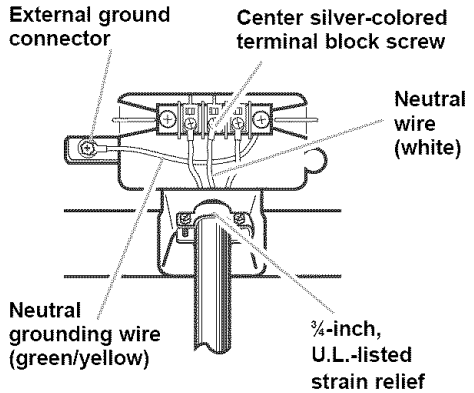
**STEP 2.** Remove hold-down screw and terminal block cover.



**STEP 3.** Attach a 3/8-inch, U.L.-listed, strain relief to the hole below terminal block opening. Strain relief should have a tight fit with dryer cabinet and be in a horizontal position. Put the power supply cord through the strain relief.

**STEP 4.** Loosen or remove terminal block screws. Connect the neutral wire (white or center) of power supply cord under the center screw of the terminal block.

**STEP 5.** Connect the other two wires to outer terminal block screws. Securely tighten all electrical connections.



### 3-Wire Connection with Frame-Grounding Conductor

**STEP 6.** Tighten the strain relief screws.

**STEP 7.** Insert tab of terminal block cover into slot of the dryer rear panel. Secure cover with hold-down screw.

If local codes do not permit the connection of a frame-grounding conductor to the neutral wire, see the instructions on page 18.

Otherwise, proceed with Installation on page 24.

## II. THREE-WIRE ELECTRICAL CONNECTION (DIRECT WIRE)

Prepare cable as directed:

### **⚠ WARNING**



#### **Fire Hazard**

Use 10 gauge solid copper wire.

Use a UL approved strain relief.

Disconnect power before making electrical connections.

Connect neutral wire (white or center wire) to center terminal (silver).

Ground wire (green or bare wire) must be connected to green ground connector.

Connect remaining 2 supply wires to remaining 2 terminals (gold).

Securely tighten all electrical connections.

Failure to follow these instructions can result in death, fire, or electrical shock.

The dryer can be connected directly to fused disconnect or circuit breaker box with three-wire, flexible armored or non-metallic sheathed copper cable (with grounding wire). All current-carrying wires must be insulated.

A conduit connector must be installed at junction box. Allow four feet of slack in the line so dryer can be moved if servicing is ever necessary.

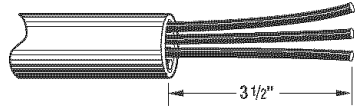
### **GROUNDING INSTRUCTIONS**

This appliance must be connected to a grounded metal, permanent wiring system; or an equipment-grounding conductor must be run with the circuit conductors and connected to the equipment-grounding terminal or lead on the appliance.

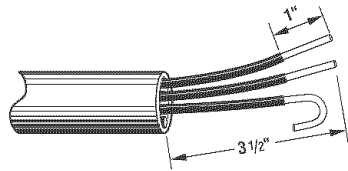
### **SAVE THESE INSTRUCTIONS**

**STEP 1.** Disconnect power.

**STEP 1a.** Strip  $3\frac{1}{2}$  inches of outer covering from end of cable. If using 3-wire cable with grounding wire, cut the bare wire even with outer covering.



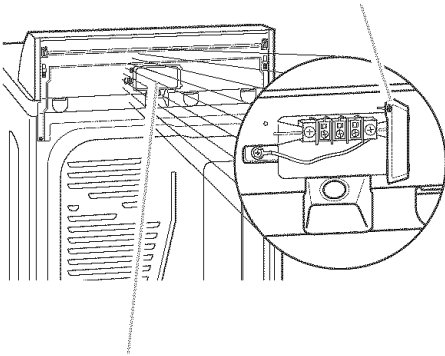
**STEP 1b.** Cut 1 inch of insulation from the end of each insulated wire. Shape the end of each wire into a "U" shaped hook.





**STEP 2.** Remove hold-down screw and terminal block cover.

Hold-down screw

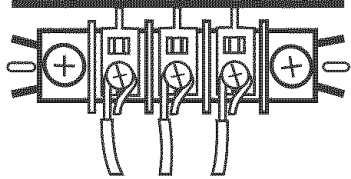


Terminal block cover

**STEP 3.** Attach a ¼-inch, U.L.-listed strain relief to the hole below terminal block opening. Strain relief should have a tight fit with dryer cabinet and be in a horizontal position. Put the direct wire cable through the strain relief.

**STEP 4.** Loosen or remove terminal block screws. Connect the neutral wire (white or center) of direct wire cable under the center screw of the terminal block.

**STEP 4a.** Place the hook-shaped end of the wire over the terminal block screw. The open side of the hook should face to the right. Squeeze hook end of wire together to form a loop.



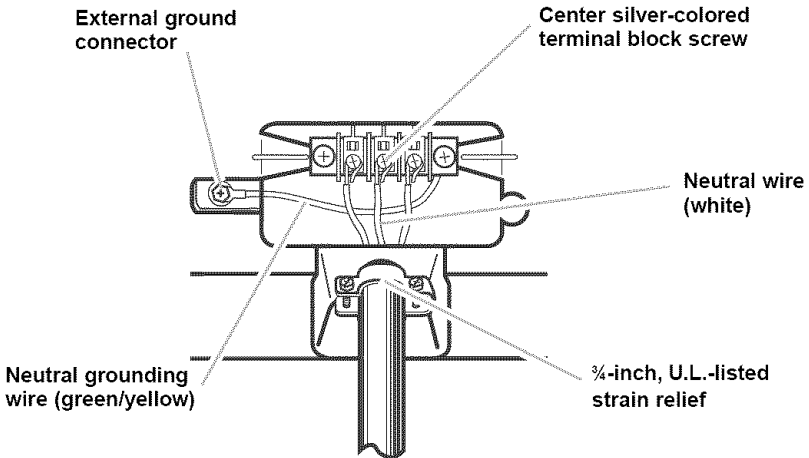
**STEP 5.** Connect the other two wires to outer terminal block screws using the same method(s) described in STEP 4a. Securely tighten all electrical connections.

**STEP 6.** Tighten the strain relief screws.

**STEP 7.** Insert tab of terminal block cover into slot of the dryer rear panel. Secure cover with hold-down screw.

**If local codes do not permit the connection of a frame-grounding conductor to the neutral wire, see the instructions on page 18.**

**Otherwise, proceed with Installation on page 24.**



**3-Wire Connection with Direct Wire and Frame-Grounding Conductor**

**ALTERNATE CONNECTION:**  
If local codes do not permit the connection of a frame-grounding conductor to the neutral wire:

**STEP 1.** Disconnect power.

**STEP 2.** Make sure the power supply cord or direct wire cable is in place (see STEPS 1-3 on page 15 for power cord connections or STEPS 1-3 on pages 16-17 for direct wire connection).

**STEP 3.** Remove the neutral grounding wire (green/yellow wire) from external grounding connector screw. Loosen or remove terminal block screws. Connect neutral grounding wire and the neutral wire (white or center) of power supply cord or direct wire cable under the center screw of the terminal block.

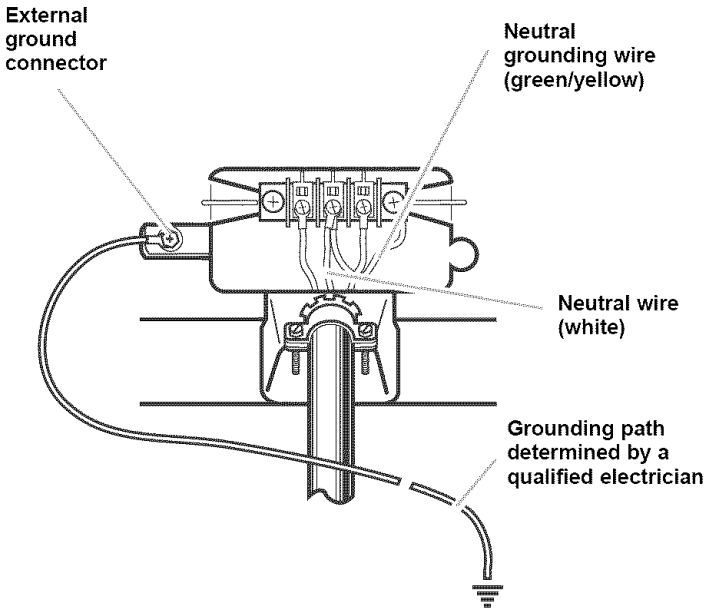
**STEP 4.** Connect the other two wires to outer terminal block screws. Securely tighten all electrical connections.

**STEP 5.** Tighten the strain relief screws.

**STEP 6.** Insert tab of terminal block cover into slot of the dryer rear panel. Secure cover with hold-down screw.

**STEP 7.** Connect separate copper grounding wire from external ground connector to an adequate ground. If codes permit and a separate grounding wire is used, it is recommended that a qualified electrician determine that the grounding path is adequate.

**Proceed with Installation on page 24.**



**Alternate 3-Wire Connection with External-Grounding Conductor**

### III. MAKE FOUR-WIRE ELECTRICAL CONNECTION TO RECEPTACLE

Use a 4-wire power supply cord:

## ⚠ WARNING



### Fire Hazard

Use a new UL approved 30 ampere power supply cord.

Use a UL approved strain relief.

Disconnect power before making electrical connections.

Connect neutral wire (white or center wire) to center terminal (silver).

Ground wire (green or bare wire) must be connected to green ground connector.

Connect remaining 2 supply wires to remaining 2 terminals (gold).

Securely tighten all electrical connections.

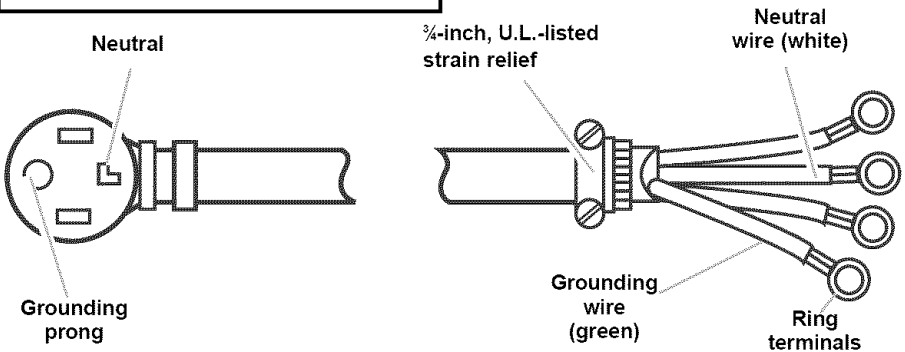
Failure to do so can result in death, fire, or electrical shock.

Local codes may permit the use of a U.L.-listed, 120/240-volt minimum, 30-ampere, dryer power supply cord kit (pigtail). Power supply cord should be type SRD or SRDT and be at least four feet long. The wires that connect to the dryer must end with ring terminals or spade terminals with upturned ends.

For mobile homes or other four-wire installations, the power supply cord must have four, No.-10 copper wires and match a four-wire receptacle of NEMA Type 14-30R. The fourth wire (grounding conductor) must be identified with a green cover or bare copper wire and the neutral conductor by a white cover.

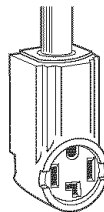
Do not use an extension cord with this dryer.

Do not connect plug end of power supply cord into a live receptacle before connecting power supply cord to dryer terminal block.



Four-Wire Power Supply Cord  
(Mobile home or other four-wire installations)

Four-wire receptacle  
(NEMA Type 14-30R)



## GROUNDING INSTRUCTIONS

This appliance must be grounded. In the event of malfunction or breakdown, grounding will reduce the risk of electric shock by providing a path of least resistance for electric current. The power supply cord must be plugged into an appropriate outlet that is properly installed and grounded in accordance with all local codes and ordinances.

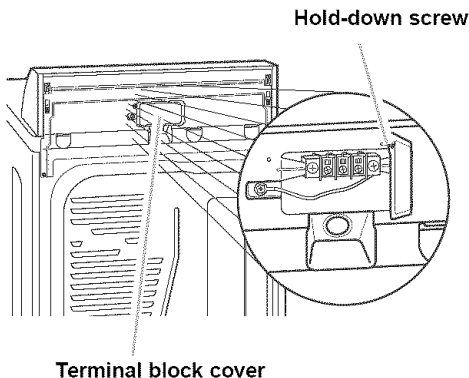
**WARNING:** Improper connection of the equipment-grounding conductor can result in a risk of electric shock. Check with a qualified electrician or serviceman if you are in doubt as to whether the appliance is properly grounded.

Do not modify the plug on the power supply cord. If it will not fit the outlet, have a proper outlet installed by a qualified electrician.

## SAVE THESE INSTRUCTIONS

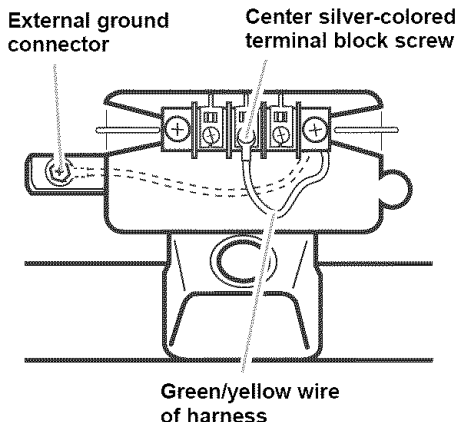
**STEP 1.** Disconnect power.

**STEP 2.** Remove hold-down screw and terminal block cover.



**STEP 3.** Attach a 3/4-inch, U.L.-listed strain relief to the hole below terminal block opening. Strain relief should have a tight fit with dryer cabinet and be in a horizontal position. Put the power supply cord through the strain relief.

**STEP 4.** Remove the center terminal block screw. Remove the neutral grounding wire (green/yellow wire) from external grounding screw.



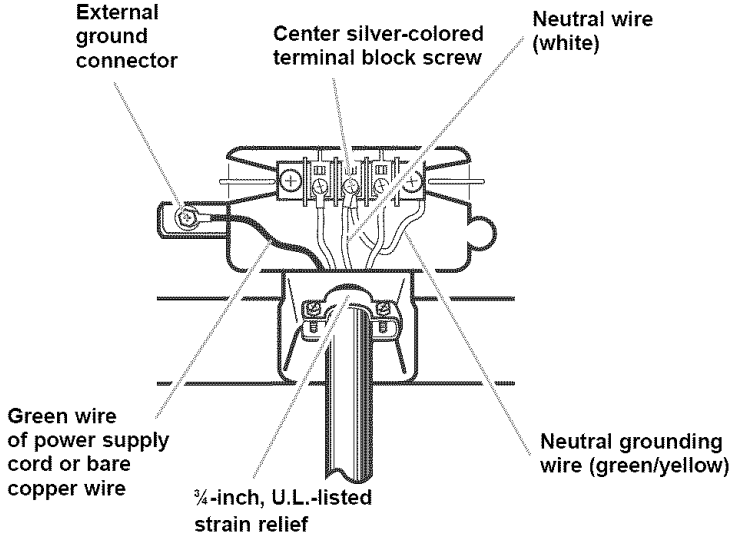
**STEP 5.** Connect neutral grounding wire and the neutral wire (white or center) of power supply cord under the center screw of terminal block.

**STEP 6.** Connect the other two insulated wires to outer terminal block screws.

**STEP 7.** Connect the grounding wire (green) of the power supply cord to the external grounding conductor screw. Securely tighten all electrical connections.

**STEP 8.** Insert tab of terminal block cover into slot of the dryer rear panel. Secure cover with hold-down screw.

**Proceed with Installation on page 24.**



**4-Wire Connection with Frame-Grounding Conductor**

#### IV. FOUR-WIRE ELECTRICAL CONNECTION (DIRECT WIRE)

Prepare cable as directed:

### **!WARNING**



#### **Fire Hazard**

Use 10 gauge solid copper wire.

Use a UL approved strain relief.

Disconnect power before making electrical connections.

Connect neutral wire (white or center wire) to center terminal (silver).

Ground wire (green or bare wire) must be connected to green ground connector.

Connect remaining 2 supply wires to remaining 2 terminals (gold).

Securely tighten all electrical connections.

Failure to do so can result in death, fire, or electrical shock.

The dryer can be connected directly to fused disconnect or circuit breaker box with four-wire flexible armored or non-metallic sheathed copper cable (with grounding wire). All current-carrying wires must be insulated. The grounding wire may be bare.

A conduit connector must be installed at junction box. Allow four feet of slack in the line so dryer can be moved if servicing is ever necessary.

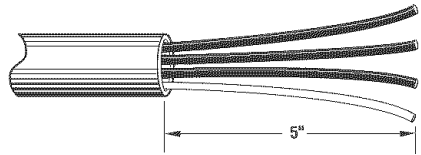
### **GROUNDING INSTRUCTIONS**

This appliance must be connected to a grounded metal, permanent wiring system; or an equipment-grounding conductor must be run with the circuit conductors and connected to the equipment-grounding terminal or lead on the appliance.

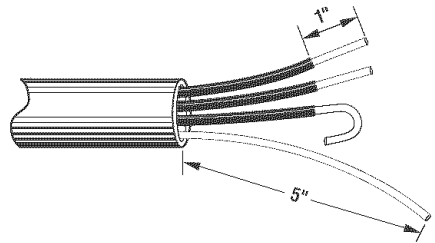
### **SAVE THESE INSTRUCTIONS**

**STEP 1.** Disconnect power.

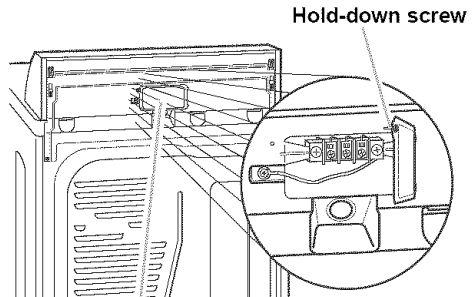
**STEP 1a.** Strip 5 inches of outer covering from end of cable. Leave bare grounding wire at 5 inches.



**STEP 1b.** Cut 1½ inches from the three remaining insulated wires. Strip insulation back 1 inch. Shape the end of each wire into a "U" shaped hook.



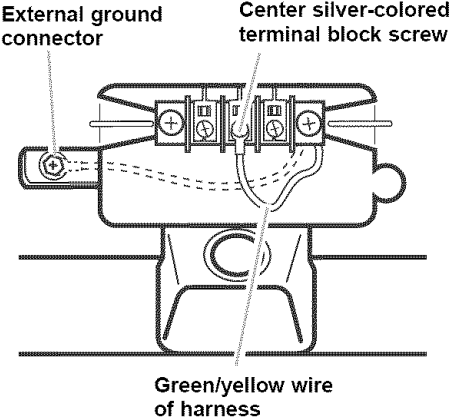
**STEP 2.** Remove hold-down screw and terminal block cover.



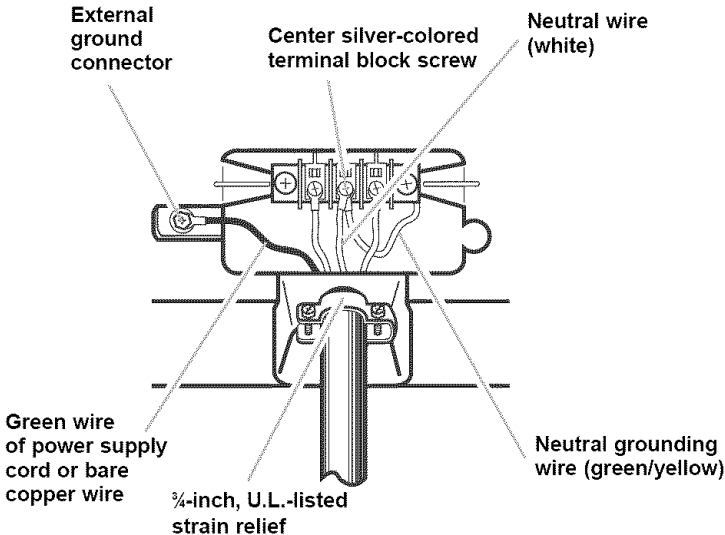
**Terminal block cover**

**STEP 3.** Attach a 3/8-inch, U.L.-listed strain relief to the hole below terminal block opening. Strain relief should have a tight fit with dryer cabinet and be in a horizontal position. Put the direct wire cable through the strain relief.

**STEP 4.** Remove the center terminal block screw. Remove the neutral grounding wire (green/yellow wire) from external grounding screw.

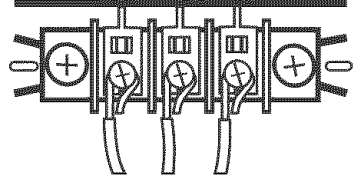


**STEP 5.** Connect neutral grounding wire and the neutral wire (white or center) of direct wire cable under the center screw of terminal block.



**4-Wire Connection with Direct Wire and Frame-Grounding Conductor**

**STEP 6.** Place the hook-shaped end of the wire over the terminal block screw. The open side of the hook should face to the right. Squeeze hook end of wire together to form a loop.



**STEP 7.** Connect the other two wires to outer terminal block screws. Use the same method described in STEP 6.

**STEP 8.** Connect the direct wire cable (bare) grounding wire to the external-grounding conductor screw. Securely tighten all electrical connections.

**STEP 9.** Tighten the strain relief screws.

**STEP 10.** Insert tab of terminal block cover into slot of the dryer rear panel. Secure cover with hold-down screw.

## D. CONNECT EXHAUST

### *for your* **Benefit**

A properly exhausted dryer will give you the shortest drying time, lower your utility bills, and extend the life of the dryer.

## **⚠ WARNING**



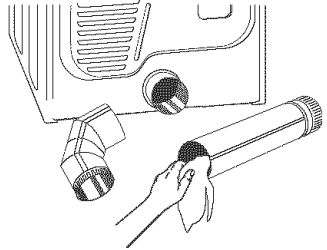
### **Fire Hazard**

Use a heavy metal vent.  
Do not use a plastic vent.  
Do not use a metal foil vent.  
Failure to follow these instructions can result in death or fire.

**WARNING:** To reduce the risk of fire, this dryer **MUST BE EXHAUSTED OUTDOORS**.

- Do not exhaust dryer into a chimney, a wall, a ceiling, or a concealed space of a building.
- The diameter of the heavy metal vent must be 4 inches.
- Do not use an exhaust hood with a magnetic latch.
- Dryer exhaust vent must not be connected or secured with screws or other devices which extend into the interior of the vent.

- If using an existing exhaust system, disconnect vent from the dryer and clean one section at a time until you reach the exhaust hood. To clean out lint, you can use the hose attachment on your vacuum, or use a pole or wire with a feather duster or rag attached.



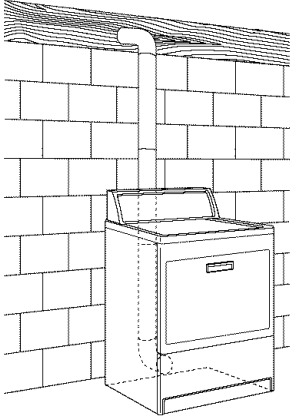
- Make sure exhaust hood is not plugged with lint. Follow the instructions in this section to reinstall your vent system.



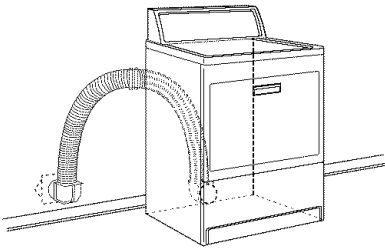
## ROUTE THE VENT

Typical installations exhaust from the rear of the dryer.

Avoid pushing the dryer tightly against a wall. This can crush or kink the vent. Use the straightest path you can, where possible. Avoid 90° turns.



Rear exhaust installations for standard offset connections – (see pgs. 26-27).



Rear exhaust installations for offset connections with close clearances – (see p. 28)

This dryer may be converted to exhaust out the right or left side or through the bottom. To convert the dryer, one of the following kits must be used.

- Exhaust Kit No. 279818 (white)
- Exhaust Kit No. 279819 (almond)
- Exhaust Kit No. 279915 (graphite)
- Exhaust Kit No. 279925 (bisque)

## ⚠ WARNING



### Fire Hazard

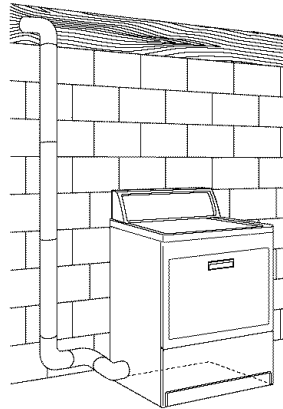
Cover unused exhaust holes with one of the following kits:

- 279818 (white)
- 279819 (almond)
- 279915 (graphite)
- 279925 (bisque)

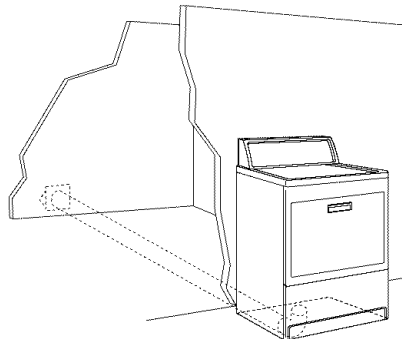
Contact your local dealer.

Failure to follow these instructions can result in death, fire, electrical shock or serious injury.

Follow the instructions in the kit to avoid operational and personal hazards. These kits are available at your local Sears store or Sears Service Center.



Typical installations for left or right side exhausting



Typical installations for bottom exhausting

## DETERMINE VENT LENGTH

### Maximum Exhaust Lengths:

- *Rear Exhaust.* The maximum length of the rear exhaust system depends on the type of vent, the number of elbows, and the type of exhaust hood. Refer to the chart below.
- *Side or Bottom Exhaust.* Side or bottom exhaust adds a 90° turn inside the dryer. To determine maximum exhaust length, add one 90° turn to the chart.

EXHAUST HOOD TYPE		
Number of 90° Turns	Maximum length of 4-inch diameter heavy metal vent.	
0	64 ft	58 ft
1	54 ft	48 ft
2	44 ft	38 ft
3	35 ft	29 ft
4	27 ft	21 ft
Number of 90° Turns	Maximum length of 4-inch diameter flexible metal vent.	
0	36 ft	28 ft
1	31 ft	23 ft
2	27 ft	19 ft
3	25 ft	17 ft
4	23 ft	15 ft

**NOTE:** If a combination of heavy metal vent and flexible metal vent is used, use instructions for flexible metal vent.

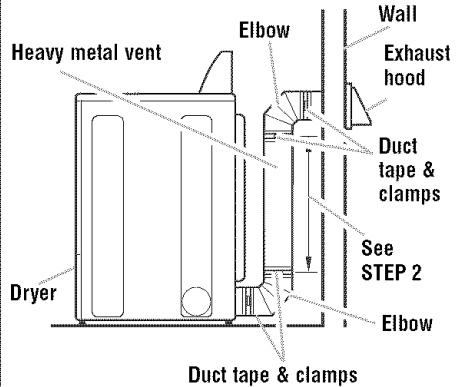
## STANDARD OFFSET CONNECTIONS

### Using 4-inch heavy metal vent:

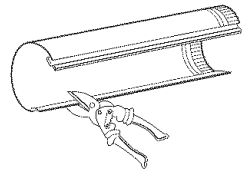
**NOTE:** Do not secure exhaust vent joints with screws. Screws can catch lint and slow the drying process. Instead, use clamps to secure exhaust vent joints.

**STEP 1.** Install a 4-inch metal elbow on the hood and on the dryer exhaust outlet.

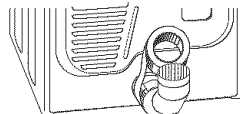
**STEP 2.** Measure the length of 4-inch heavy metal vent needed to connect the two elbows.



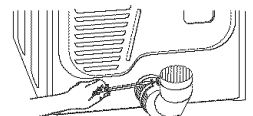
The vent usually comes in 2-foot lengths. Use tin snips to cut the vent 3 inches longer than your measurement in order to make a connection.



**STEP 3.** Place a clamp on each end of vent elbow and connect elbow to your dryer's exhaust outlet. Tape the joint with duct tape. Tighten clamp.



Tape



Clamp

**STEP 4.** Connect vent to elbow. Tape the joint with duct tape. Tighten clamp.

**STEP 5.** Install one end of elbow on vent, the other end to the exhaust hood. Tape joints and tighten clamps.

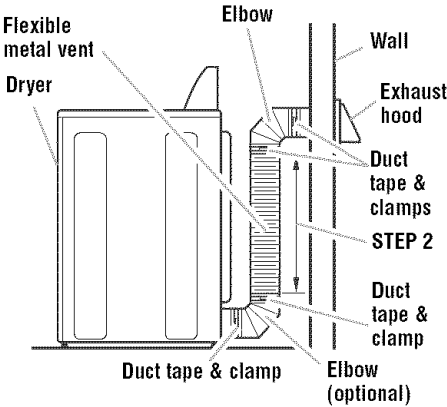
**Finish Installation. See "REVIEW INSTALLATION".**

**Using 4-inch flexible metal vent:**

**NOTE:** Do not secure exhaust vent joints with screws. Screws can catch lint and slow the drying process. Instead, use clamps to secure exhaust vent joints.

**STEP 1.** Install a 4-inch metal elbow on the exhaust hood and, if necessary, on the dryer's exhaust outlet.

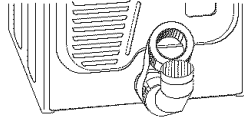
**STEP 2.** Measure the length of 4-inch flexible metal vent needed from the dryer to the hood.



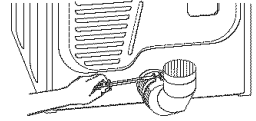
**STEP 3.** Add 10 inches to the measurement for each bend in the vent.

**STEP 4.** Add 3 more inches to the measurement for connection over the dryer's exhaust outlet and hood.

**STEP 5.** Place a clamp on each end of vent elbow. Install one end of elbow on vent, the other end to the exhaust hood. Tape joints and tighten clamps.



Tape

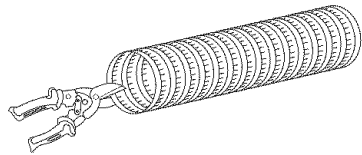


Clamp

**STEP 6.** Stretch the vent only as needed by pulling out from the center in each direction. Do not stretch vent sections over 6 feet. If distance is more than 6 feet, use 2 or more sections of metal vent with flexible metal vent attached at ends.

**STEP 7.** Connect the vent directly to the dryer outlet or to a separate elbow. Tape the joints with duct tape. Secure with clamps.

**STEP 8.** To connect the vent to the section of the exhaust hood that is inside your wall, it may be necessary to make two 1/8 inch cuts in the end of the flexible vent to allow it to expand.



**Finish Installation. See "REVIEW INSTALLATION".**

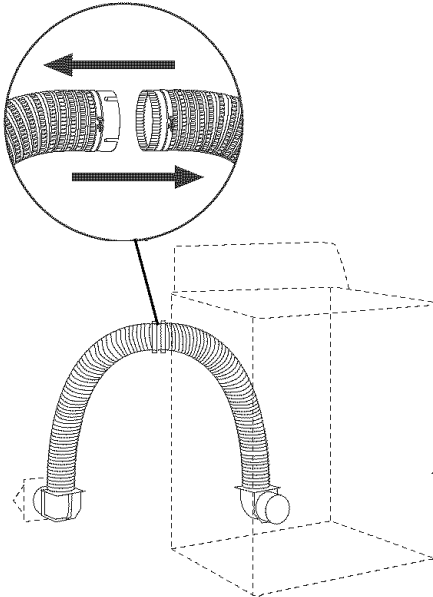
## OFFSET CONNECTIONS WITH CLOSE CLEARANCES

When your exhaust vent is in a close clearance behind the dryer, or if you are installing your dryer in a recessed area or closet, you will find it helpful to install the exhaust vent over-the-top\* of the dryer. A kit is available from your local Sears store or Sears Service Center.

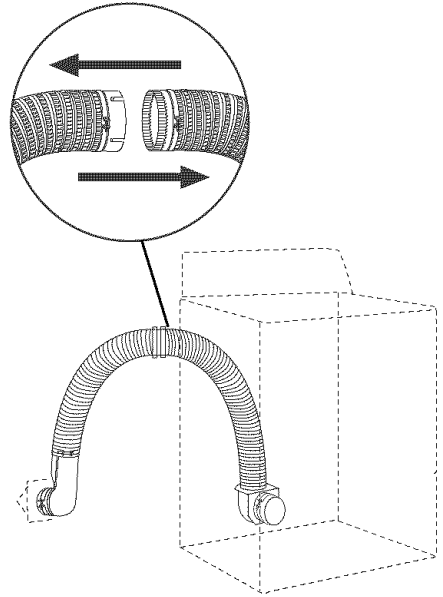
\*Parts may be covered by one or more U.S. Patents.

**NOTE:** Vent systems come in many varieties. Select the type that best fits your installation. Three of the most common types of installations are illustrated here.

### LOOP SYSTEM

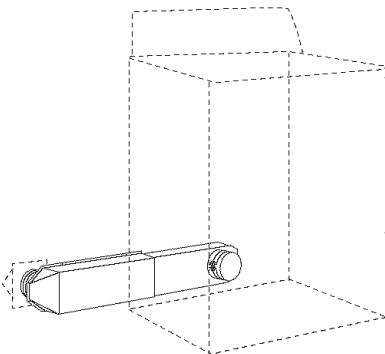


Vent system installed over-the-top with standard elbows



Vent system installed over-the-top with one offset and one standard elbow

### PERISCOPE SYSTEM



Vent system with one periscope (2-inch clearance)

## REVIEW INSTALLATION

### *for your* **Benefit**

Take a few minutes to complete this checklist. It will help assure you that you have a proper installation and increase your satisfaction with your Kenmore ELITE™ dryer.

- Check that all parts you removed from the parts packages are now installed.
- Ensure that dryer is positioned in its final location. Make sure vent is not crushed or kinked.
- Ensure that dryer is level by placing a level on top of the dryer. Check side-to-side first, then check front-to-back. If dryer is not level, adjust the legs up or down.
- Check to make sure you have all the tools you started with.

---

## FINAL STEPS

- Plug the power supply cord into the grounded outlet or connect direct wire to power supply.
- Turn power supply on.
- Wipe the interior of the drum thoroughly with a damp cloth to remove any dust.
- Remove the blue protective film on the console and any tape remaining on dryer.
- Start the dryer and allow it to complete a full heat cycle (not the AIR DRY Cycle). After five minutes, open dryer door. You should feel heat inside the dryer. If you do not feel heat, see "TROUBLESHOOTING".  
**NOTE:** You may notice a burning odor. This smell is common when the heating element is first used. The smell will go away.
- Read the rest of this manual to fully understand your new dryer.

# OPERATING YOUR DRYER

## ⚠ WARNING



### Explosion Hazard

Keep flammable materials and vapors, such as gasoline, away from dryer.

Do not dry anything that has ever had anything flammable on it (even after washing).

Failure to follow these instructions can result in death, explosion, or fire.

## ⚠ WARNING



### Fire Hazard

No washer can completely remove oil.

Do not dry anything that has ever had any type of oil on it (including cooking oils).

Items containing foam, rubber, or plastic must be dried on a clothesline or by using an Air Cycle.

Failure to follow these instructions can result in death or fire.

To get the best drying results, you must operate your dryer properly. This section gives you this important information.

## STARTING YOUR DRYER

**STEP 1.** Check lint screen. Clean if needed.

**STEP 2.** Put laundry into dryer and shut door.

**STEP 3.** Select the cycle you want by pressing one of the pads under SELECT CYCLE **A** (see pages 32 and 33) or by selecting TOUCH UP under OPTIONS **B** (see pages 32 and 35).

**NOTE:** The settings that are displayed are preset cycle settings (see page 31).

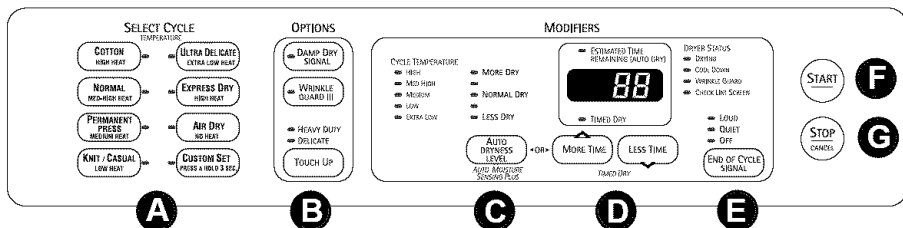
**STEP 4.** (OPTIONAL STEP) If desired, set OPTIONS **B** by pressing the pad for WRINKLE GUARD® III or DAMP DRY SIGNAL (see page 35).

**STEP 5.** (Optional Step) If desired, change the settings for AUTO DRYNESS LEVEL **C**, or TIMED DRY **D** indicated on your display (see page 36). Check clothes label for manufacturer's recommendations.

**STEP 6.** (OPTIONAL STEP) If desired, set the END OF CYCLE SIGNAL **E**.

**STEP 7.** Press START **F**. Be sure door is closed.

**NOTE:** If you do not press START within 5 minutes of selecting the cycle, the dryer will automatically shut off.



## PAUSING/STOPPING/RESTARTING YOUR DRYER

- To pause the drying cycle at any time, open the door or press STOP/CANCEL **G** once.
- To restart the dryer, close the door and press START **F**.

**NOTE:** Drying will continue from where the cycle was interrupted if you close the door and press START within 5 minutes. If the cycle is interrupted for more than 5 minutes, the dryer will shut off. You will need to reset the settings for your cycle before restarting the dryer.

- If you wish to end your drying cycle, press STOP/CANCEL **G** twice.

## PRESET CYCLE SETTINGS

### *for your* **Benefit**

An easy way to operate your dryer is to use the Preset Cycle Settings that were programmed for your dryer at the factory. This page describes your dryer's preset memory settings.

**NOTE:** Use CUSTOM SET to modify the preset cycle settings to fit your drying needs. For a detailed description on how to use CUSTOM SET, see page 32.

### PRESET CYCLE SETTINGS

Cycle	Drying Method (Dryness Level)	Temperature	Time (minutes)
COTTON	AUTO DRY (Normal)	HIGH	40*
NORMAL	AUTO DRY (Normal)	MEDIUM HIGH	40*
PERMANENT PRESS	AUTO DRY (Normal)	MEDIUM	36*
KNIT/ CASUAL	AUTO DRY (Normal)	LOW	36*
ULTRA DELICATE	AUTO DRY (Normal)	EXTRA LOW	31*
EXPRESS DRY™	TIMED DRY	HIGH	23**
AIR DRY	TIMED DRY	NO HEAT	30**
CUSTOM SET (see page 32)			
TOUCH UP (Heavy Duty) (Delicate)	TIMED DRY	HIGH LOW	30** 20**

\* Estimated Time

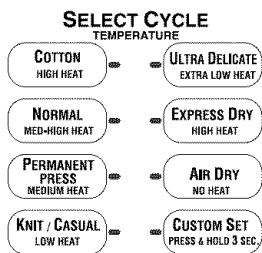
\*\* Actual Time

## CHOOSING CYCLES

### (SELECT CYCLE/Temperature Pads)

Use these pads to choose the right drying cycle for the type of load you are drying. Each time you select a cycle, the preset cycle settings are displayed.

**NOTE:** A range of heat is automatically set for the type of fabric selected. See page 34 for suggested dryer settings for your load type.



### COTTON

Use this cycle to get high heat for heavy fabrics. The estimated drying time is 40 minutes.

### NORMAL

Use this cycle to get medium high heat for sturdy fabrics. The estimated drying time is 40 minutes.

### PERMANENT PRESS

Use this cycle to get medium heat for synthetic fabrics and no-iron finishes. The estimated drying time is 36 minutes.

### KNIT/CASUAL

Use this cycle to get low heat for washable knit fabrics. The estimated drying time is 36 minutes.

### ULTRA DELICATE

Use this cycle to get extra low heat for drying heat-sensitive fabrics. The estimated drying time is 31 minutes.

### EXPRESS DRY™

Use this cycle to get 16 minutes of high heat followed by a 7 minute Cool Down period. Use for smaller loads or for loads needed in a shorter time period.

### AIR DRY

Use this cycle to tumble heat sensitive fabrics without heat. The preset time is 30 minutes (see page 33).

### CUSTOM SET

## *for your* **Benefit**

**CUSTOM SET** allows you to select the cycle, options and modifiers you use most frequently and store them in memory for future use by pressing just two pads: **CUSTOM SET** and **START**.

To custom set a cycle:

**STEP 1.** Select Cycle.

**STEP 2.** Select the desired Options.

**STEP 3.** Select the desired Modifiers.

**STEP 4.** Press and hold **CUSTOM SET** until a beep sounds (approximately 3 seconds).

**STEP 5.** Press **START**.

The Custom Set cycle is now stored for future use. To reuse, select **CUSTOM SET** and press **START**.

### TOUCH UP

Use this cycle to smooth cleaned, wrinkled synthetic and permanent press clothes that have been packed or stored (see page 35).



**USING AIR DRY**

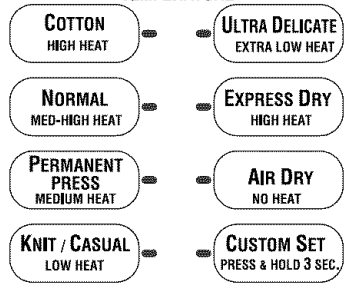
**for your Benefit**

Using this cycle gives you all the benefits of hang drying with a shorter drying time.

Use the AIR DRY Cycle for items that will not tolerate heat such as plastics and foam rubber. Also use for airing and fluffing items such as pillows.

- The AIR DRY Cycle is preset for 30 minutes but can be adjusted from 1 to 99 minutes any time during the cycle.
- An AUTO DRYNESS LEVEL selection cannot be made when using the AIR DRY Cycle. Pressing this pad will result in three short tones sounding – which indicates an unavailable option was selected.

**SELECT CYCLE**  
TEMPERATURE



Refer to the following table for examples of items that require drying without heat. Use the AIR DRY Cycle, or place the items on a line or rack to air dry.

Type of Load	TIME (minutes)*
<b>RUBBER, PLASTIC, HEAT-SENSITIVE FABRICS</b> Foam rubber – Pillows, padded bras, stuffed toys • Make sure coverings are securely stitched. • Shake and fluff pillows by hand several times during the cycle. • Make sure pillows are completely dry. Foam rubber pillows take a long time to dry. Plastic – Shower curtains, tablecloths Rubber-backed rugs Olefin, polypropylene, sheer nylon	20-30 min.     20-30 min. 40-50 min. 10-20 min.

\*Reset time as needed to complete drying.

## SUGGESTED DRYER SETTINGS

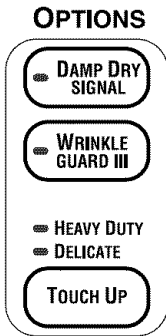
The following table lists suggested dryer settings for various loads. This is only a guide. Settings may require adjustment depending on the requirements of your load.

Type of Load	Cycle*	AUTO DRY Setting	Drying Temp
<b>COTTONS AND LINENS</b>			
Extra heavy – Bedspreads, mattress pads, quilts	COTTON	NORMAL	HIGH
Heavyweight – Towels, jeans, corduroys, work clothes	NORMAL	NORMAL	MEDIUM HIGH
Medium weight – Sheets, cotton underwear, diapers	PERMANENT PRESS	NORMAL	MEDIUM
Lightweight – Batistes, organdies, lingerie	PERMANENT PRESS	NORMAL	MEDIUM
<b>PERMANENT PRESS, SYNTHETICS AND BLENDS</b>			
Heavyweight – Work clothes, jackets, raincoats	NORMAL	NORMAL	MEDIUM HIGH
Medium weight – Shirts, play clothes, sheets, slacks	PERMANENT PRESS	NORMAL	MEDIUM
Lightweight – Lingerie, blouses, dresses	PERMANENT PRESS	NORMAL	MEDIUM
<b>KNITS</b>			
Heavyweight – Cottons, rayons, blends, T-shirts, slacks, shirts	KNITS/CASUAL	NORMAL	LOW
Medium weight – Synthetics (polyester, acrylic, etc.), dress slacks, skirts, sweaters	KNITS/CASUAL	NORMAL	LOW
Lightweight – Synthetics (polyester, acrylic, etc.) and blends, lingerie, blouses, dresses	KNITS/CASUAL	NORMAL	LOW
<b>DELICATE FABRICS</b>			
Exercise wear	ULTRA DELICATE	NORMAL	EXTRA LOW
Sheer curtains (2 or 3 panels), gauze, lace, etc.	ULTRA DELICATE	NORMAL	EXTRA LOW

\* Drying temperature cannot be adjusted in preset cycles.

## CHOOSING OPTIONS

Use this control to select the desired options for your drying cycle.



## USING WRINKLE GUARD® III

### *for your Benefit*

**WRINKLE GUARD® III prevents wrinkles that form when you cannot unload the dryer promptly at the end of a cycle.**

- If you do not open the door at the end of a cycle, WRINKLE GUARD® III will periodically tumble the clothes without heat.
- This action will continue for about 2½ hours unless you open the dryer door sooner.
- Turn WRINKLE GUARD® III on or off by pressing WRINKLE GUARD® III pad.
- If WRINKLE GUARD® III is not selected, the dryer stops after Cool Down and may be unloaded.

During WRINKLE GUARD® III, the END OF CYCLE SIGNAL will sound after each period of tumbling, unless it is off.

## DAMP DRY SIGNAL

### *for your Benefit*

The **DAMP DRY SIGNAL** alerts you when your clothes are ready to be removed for hanging up, which saves on ironing.

Selecting the DAMP DRY SIGNAL provides an audible signal to notify you when your load is 80% dry. At this time, you may remove partially dry items to hang up (which saves on ironing) or the lighter items of a mixed load (e.g. sheets and towels.)

## TOUCH UP

### *for your Benefit*

Use this cycle to get high or low heat to smooth synthetic and permanent press clothes that are clean but wrinkled from being crowded in a closet or suitcase.

- Use the Heavy Duty setting to get 30 minutes of high heat for medium to heavy weight fabrics such as bedspreads, jeans, corduroys or work clothes.
- Use the Delicate setting to get 20 minutes of low heat for light to medium weight fabrics such as blouses, shirts, skirts or pants.
- Cycle time may be adjusted by pressing the MORE TIME or LESS TIME pads.
- The WRINKLE GUARD® III option is also available in TOUCH UP.

## CHOOSING MODIFIERS

### AUTO DRYNESS LEVEL

#### *for your* **Benefit**

**AUTO DRYNESS LEVEL** saves you time by providing the best drying results in the shortest time. This can help you save money on utility bills and reduce the risk of fabric damage.

Press the **AUTO DRYNESS LEVEL** pad once to select **NORMAL DRY**. Use this setting for most loads. Drying time varies according to type of fabric, size of load, and dryness setting.

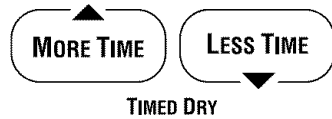
- MORE DRY
- 
- **NORMAL DRY**
- 
- LESS DRY

**AUTO  
DRYNESS  
LEVEL**

- Select the cycle that matches the fabric in your load. The display will show the estimated time (in minutes) to remove 80% of the moisture from the load. It will then change to show the actual number of minutes remaining.
- At the end of the cycle, feel the dried clothes. If they are damp, select **MORE DRY** the next time you do a similar load. If they are overdried, select **LESS DRY** the next time you do a similar load. Press the **AUTO DRYNESS LEVEL** pad until the indicator light next to the desired level glows.
- Dryness is determined by an electronic sensor that "feels" the amount of moisture in clothes as they pass over it. When the dryness selected is reached, the dryer goes into a Cool Down period. The length of the Cool Down period depends on load size and dryness setting.
- The **END OF CYCLE SIGNAL** sounds once the cycle is completed, if selected.
- If you do not unload the dryer, it goes into **WRINKLE GUARD® III**, if selected. (see page 35).

### TIMED DRY

Use **TIMED DRY** to select a specific amount of time for your load.



- Once you have selected your cycle, press **MORE TIME** or **LESS TIME** to adjust time.
- The heating cycle is followed by a Cool Down period of up to 10 minutes.
- The **END OF CYCLE SIGNAL** sounds once the cycle is completed, if selected.

**NOTE:** At the end of the cycle, the dryer will go into **WRINKLE GUARD® III**, if selected.

### END OF CYCLE SIGNAL

#### *for your* **Benefit**

Your dryer sounds a signal when a drying cycle is finished.

The signal is helpful when you are drying permanent press, synthetics, and other items. These items should be removed from the dryer as soon as it stops to prevent wrinkles.

- LOUD
- QUIET
- OFF

**END OF CYCLE  
SIGNAL**

- The sound level of this tone can be adjusted or turned off by pressing the **END OF CYCLE SIGNAL** pad. The tone you will hear at the end of the cycle will sound as the pads are pressed.

## CHANGING CYCLES/OPTIONS/MODIFIERS

The Cycles, Options and Modifiers selected may be changed any time before START is pressed. A single short tone will sound when a selection is made. If an unavailable combination is selected, three short tones will sound and the last selection will not be accepted.

### To change Options/Modifiers:

The Options and Modifiers can be adjusted prior to the event occurring.

**STEP 1.** Press STOP/CANCEL once. This will stop the dryer.

**STEP 2.** Select desired Options and/or Modifiers.

**STEP 3.** Press START to restart the dryer.



### To change cycles:

**STEP 1.** Press STOP/CANCEL twice.

**STEP 2.** Select desired cycle.

**STEP 3.** Press START to restart the dryer at the beginning of the new cycle. If you do not press START within 5 minutes of selecting the cycle, the dryer will automatically shut off.

## OPERATING CONTROLS

### START

Use this control to start the dryer. Be sure the dryer door is closed. Opening the door stops the dryer. It will not start again until you close the door and press START.

**NOTE:** If you do not close the dryer door and press START within 5 minutes of when the dryer door was opened, the dryer will shut off. You will have to select a new cycle to restart the dryer.

### STOP/CANCEL

Use this control to temporarily stop (pause) the cycle.

- If STOP/CANCEL is pressed once and you open the dryer door, you must close the door and press START to restart the dryer (see NOTE above).
- If STOP/CANCEL is pressed once and you leave the dryer door closed, you can press START to continue the cycle.
- To cancel the cycle, press STOP/CANCEL twice. Pressing STOP/CANCEL will not erase the CUSTOM SET settings.

## INDICATOR LIGHTS

### CYCLE LIGHTS

Located next to each pad under SELECT CYCLE, these lights show the cycle you have selected.

### DISPLAY LIGHTS

These lights show the level of dryness selected, temperature settings and estimated or actual drying time.

### OPTIONS LIGHTS

These lights show when DAMP DRY SIGNAL, WRINKLE GUARD® III or TOUCH UP have been selected.

## STATUS LIGHTS

Located on the right side of the console, these lights show what portion of the cycle the dryer is operating.

### DRYER STATUS

- DRYING
- COOL DOWN
- WRINKLE GUARD
- CHECK LINT SCREEN

## CHECK LINT SCREEN

### *for your* **Benefit**

**A properly cleaned lint screen will allow your dryer to operate at peak efficiency. This can reduce your utility bills and extend the life of your dryer.**

Once a cycle is selected, the CHECK LINT SCREEN light will flash to remind you to clean the lint screen. The light will flash for up to 5 minutes, or until the door is opened, or START is pressed.

Clean the lint screen before starting each load. If you do not, your dryer may not operate properly.

## TUMBLE FREE™ HEATED DRYER RACK

The dry rack was shipped on top of your dryer. Remove and discard shipping blocks before using.

### for your Benefit

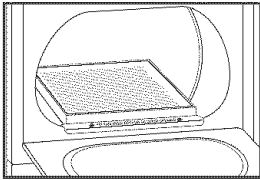
Use the TUMBLE FREE™ Heated Dryer Rack for items that you do not want to tumble dry, such as sweaters and tennis shoes. When you use the heated dryer rack, the heated air inside the dryer flows in a concentrated pattern to allow efficient and uniform drying. Use **TIMED DRY** to select the desired time.

#### To use the heated dryer rack:

Do not remove lint screen.

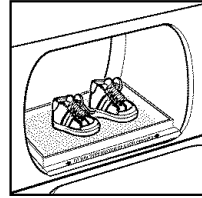
**STEP 1.** Open dryer door.

**STEP 2.** Slide dryer rack over the bottom of the dryer door opening. Push down to secure it on the frame.



**STEP 3.** Place wet items on top of the rack. Allow space around items for air to circulate. The rack does not move, but the drum will rotate. Make sure items do not hang over the edges or between rack grill.

**STEP 4.** Close dryer door.



**STEP 5.** Select the desired cycle to match the fabrics in your load. Refer to the table below.

**STEP 6.** You must select a time by pressing the MORE TIME or LESS TIME pads. Reset time as needed to complete drying. Refer to the table below.

**STEP 7.** Start the dryer.

To remove the dry rack, lift it straight up and out of the dryer.

**NOTE:** Check the lint screen and remove any lint accumulated from items dried on the rack.

Suggested Items for Rack Drying	Cycle Setting	Suggested Time (minutes)
Washable wool items (block to shape and lay flat on rack)	KNIT/ CASUAL	20
Stuffed toys (cotton or polyester fiber filling)	COTTON	20
Stuffed toys (foam rubber filling)	AIR DRY	50
Galoshes (rubber)	AIR DRY	20
Foam rubber pillows	AIR DRY	50
Tennis shoes	AIR DRY	20

## TOTAL CARE™ SYSTEM

The exclusive TOTAL CARE™ SYSTEM combines the KING SIZE™ load capacity, EVENHEAT™, WRINKLE GUARD® III, and the TUMBLE FREE™ heated dryer rack to ensure total drying care for any type of fabric and load size.

## EVENHEAT™ Drying System

The EVENHEAT™ Drying System uses a solid-state sensor to prevent the large variations in drying temperatures that occur in most other dryers. More consistent, even heat in every cycle results in better fabric care by shortening drying times and by maintaining lower drying temperatures.

## “SMART” COOL DOWN PERIOD

Once the selected level of dryness is reached, the dryer goes into a cool down period lasting 1-10 minutes. Unlike other dryers which provide a fixed 10-minute cool down, this “smart” cool down period is based on the temperature of the clothes in your load and varies the time accordingly.

- For small loads or loads that are dried at a lower temperature, the cool down period will be reduced to as low as one minute.
- For large loads or loads that are dried at a high temperature, the cool down period will be closer to ten minutes.



# LAUNDRY TIPS

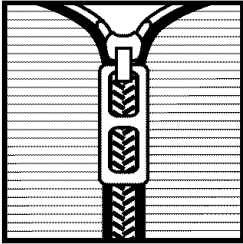
## PREPARING CLOTHES FOR DRYING

### *for your* **Benefit**

Follow these recommendations to help save on your utility bills and prolong the life of your garments.

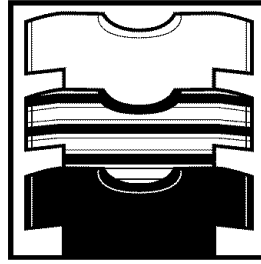
- Refer to your Washer Owner's Manual for proper washing techniques and additional laundry tips.
- See page 5 of this manual for Important Safety Instructions.

## DRYING TIPS



- Close zippers, snaps, and hooks to avoid snagging other items. Remove heat-sensitive trim that can be damaged by drying. Tie strings and sashes so they will not tangle.
- Check garments for spots and stains left after washing. Do not tumble these items. Heat may permanently set stains.
- Check pockets before drying. Sharp or metal objects can damage your dryer. Do not lay these objects on your dryer, they can damage the finish. Turn pockets of heavy items inside out for even drying.
- Place small items such as baby socks or hankies in laundry bag for easy removal.
- Articles to be ironed should be removed while still damp.

## SORTING CLOTHES



- Separate dark colors from light colors, colorfast from non-colorfast. Items properly sorted by color for washing are usually properly sorted for drying.
- Separate heavy fabrics (denim, towels) from light fabrics (synthetics, permanent press).
- Separate lint givers (towels, chenille) from lint takers (corduroy, synthetics, permanent press). When possible, turn lint takers inside out.

## CHOOSING LOAD SIZES

- Mix large items with small items. Load the dryer by the amount of space items take up, not by their weight. Do not overload the dryer. Overcrowding causes uneven drying and wrinkling, and can cause items to wear out faster (because of pilling).
- You may need to rearrange large items (sheets, blankets, tablecloths) during a cycle to reduce balling or rolling up.
- For better tumbling action, when drying only a few small items, add one or two lint-free towels. This also prevents small lightweight items from blocking airflow.

KING SIZE™ CAPACITY DRYERS		
Heavy Work Clothes	Towels	Mixed Load
4 jeans	10 bath towels	3 sheets (1 king, 2 twin)
4 workpants	10 hand towels	4 pillowcases
4 workshirts	14 wash cloths	3 shirts
2 sweatshirts		3 blouses
2 sweatpants		9 T-shirts
		9 shorts
		10 handkerchiefs

## USING DRYER FABRIC SOFTENERS

Dryer fabric softeners are recommended for reducing static cling. Always follow package instructions carefully.

- Put one fabric softener sheet on top of the load before starting the dryer. Do not add a fabric softener sheet after the drying cycle has started. Instant heat can cause the fabric softener to spot fabrics.
- Remove fabric softener stains by wetting the stains and rubbing them with liquid detergent or bar soap and rewash.
- Some fabric softeners can clog the lint screen and slow drying. Use fabric softeners labeled as dryer safe.

## SAVING ENERGY

- Sort load by fabric weight and type.
- Use the preset cycle settings to dry most loads.
- Use the EXPRESS DRY™ cycle to dry small loads of light to medium weight fabrics.
- Dry full loads when possible. Do not overdry.
- Avoid overloading dryer, adding wet items to a partly dried load, or opening the door unnecessarily.
- Shorten drying times by exhausting dryer properly and cleaning exhaust vent and outside exhaust hood as needed.
- Keep the lint screen clean.
- Use dryer where room air temperature is above 45°F.

# CARING FOR YOUR DRYER

## CLEANING YOUR DRYER

### *for your* **Benefit**

Proper care of your dryer can extend its life and help you avoid costly service calls.

#### EXTERIOR

Use a soft, damp cloth to clean the cabinet and console. Avoid using harsh abrasives. Do not put sharp metal objects on or in your dryer. They can damage the finish.

#### INTERIOR

### **⚠ WARNING**



#### **Explosion Hazard**

**Use nonflammable cleaner.**

**Failure to do so can result in death, explosion, or fire.**

Garments that contain unstable dyes, such as denim blue jeans or brightly colored cotton items, may discolor the drum interior. These stains are not harmful to your dryer and will not stain future loads of clothes. It is helpful to dry unstable dye items inside out to prevent dye transfer.

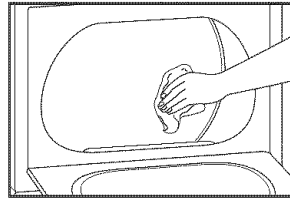
#### To clean dryer drum:

**STEP 1.** Make a paste with detergent and very warm water and apply to a soft cloth. Continue with STEPS 2-4.

or

**STEP 1a.** Spray non-flammable liquid household cleaner on the stained area. Continue with STEPS 2-4.

**STEP 2.** Scrub area until all excess dye is removed.



**STEP 3.** Wipe thoroughly with a damp cloth.

**STEP 4.** Tumble a load of clean towels for 20 minutes to dry.

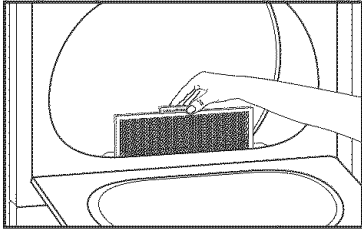
## CLEANING THE LINT SCREEN

### Remove Lint Before Every Load

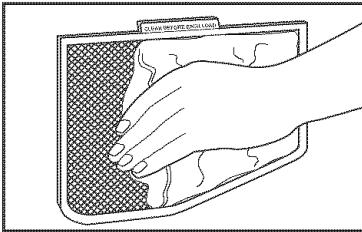
The lint screen is located in the door opening. Remove lint before starting every load. A screen blocked by lint can increase drying time.

To clean:

**STEP 1.** Pull the lint screen straight up.



**STEP 2.** Roll lint off the screen with your fingers. Do not rinse or wash screen to remove lint. Wet lint is hard to remove.



**STEP 3.** Push the lint screen firmly back into place.

### IMPORTANT:

- Do not run the dryer with the lint screen loose, damaged, blocked, or missing. Doing so can cause overheating and damage to both the dryer and fabrics.
- Some towels made of synthetic fibers and natural fibers (polyester and cotton blends) may shed more lint than other towels, causing your dryer's lint screen to fill up faster. Be sure to remove lint from the lint screen before and after drying new towels.
- If lint falls off the screen during removal and into the dryer, periodically check the exhaust hood and remove the accumulated lint (see "Connect Exhaust").

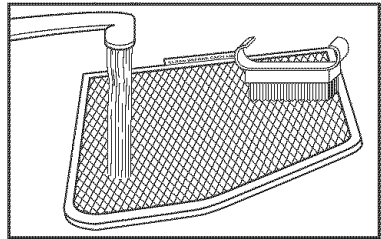
### Wash Lint Screen As Needed

Laundry detergents and fabric softeners can cause a residue buildup on the lint screen. Wash the lint screen with a nylon brush if it becomes clogged due to a residue buildup.

To wash:

**STEP 1.** Wet both sides of lint screen with hot water.

**STEP 2.** Wet a nylon brush with hot water and liquid detergent; scrub lint screen with the brush to remove residue buildup.



**STEP 3.** Rinse screen with hot water.

**STEP 4.** Thoroughly dry lint screen with a clean towel; replace in dryer.

## CHECKING FOR OBSTRUCTED AIRFLOW

From time to time, you may find it helpful to check your dryer and exhaust system for proper airflow. Poor airflow can result in longer drying times.

To check for obstructed airflow:

**STEP 1.** Check to ensure nothing is blocking ventilation slots on dryer rear panel.

**STEP 2.** Inspect exhaust hood. It should not be blocked or obstructed.

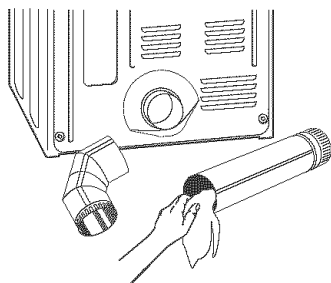
## REMOVING ACCUMULATED LINT

To remove accumulated lint from exhaust vent:

**STEP 1.** Disconnect exhaust vent from the dryer.

**STEP 2.** Clean one section of vent at a time until you reach the exhaust hood. To clean out lint, you can use the hose attachment on your vacuum, or use a pole or wire with a feather duster or rag attached.

**STEP 3.** Reconnect vent as described in the "INSTALLATION INSTRUCTIONS" of this Owner's Manual.



To remove accumulated lint from inside the dryer:

Lint should be removed every 2 years, or more often, depending on dryer usage. Cleaning should be done by a qualified person.

## MOVING CARE

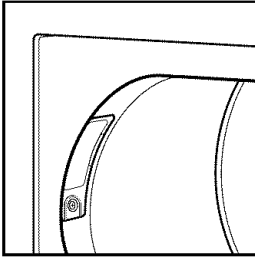
- Disconnect power.
- Make sure leveling legs are secure in dryer base.
- Use masking tape to secure dryer door.

## VACATION CARE

- Disconnect power.
- Wash lint screen.

## CHANGING THE DRUM LIGHT

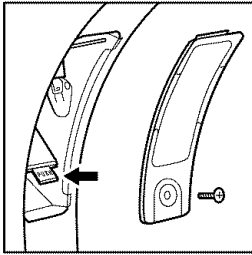
The dryer light automatically turns on inside the dryer drum when you open the door. Your dryer drum light may be one of two types, as shown.



### To change drum light type 1:

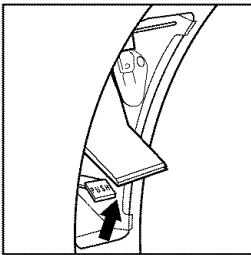
**STEP 1.** Unplug dryer or disconnect power.

**STEP 2.** Open the dryer door. Remove the screw that holds the lens in place.



**STEP 3.** Remove the lens by pulling it down and away from drum.

**STEP 4.** Push tab to allow bulb to swing out.



**STEP 5.** Remove the light bulb by turning it counterclockwise.

**STEP 6.** Install light bulb by turning it clockwise. Replace the bulb with a 15-watt, appliance bulb only.

**STEP 7.** Push bottom of light and socket assembly in until tab locks.

**STEP 8.** Place the top of the lens onto the top of the holder. Rotate the bottom of the lens down until it is in place. Replace screw.

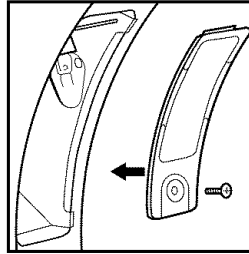
**NOTE:** It is very important that the lens is replaced properly.

**STEP 9.** Plug in dryer or reconnect power.

### To change drum light type 2:

**STEP 1.** Unplug dryer or disconnect power.

**STEP 2.** Open the dryer door. Remove the screw that holds the lens in place.



**STEP 3.** Remove the lens by pulling it down and away from drum.

**STEP 4.** Remove the light bulb by turning it counterclockwise.

**STEP 5.** Install light bulb by turning it clockwise. Replace the bulb with a 15-watt, appliance bulb only.

**STEP 6.** Place the top of the lens onto the top of the holder. Rotate the bottom of the lens down until it is in place. Replace screw.

**NOTE:** It is very important that the lens is replaced properly.

**STEP 7.** Plug in dryer or reconnect power.

# TROUBLESHOOTING

## *for your* **Benefit**

Most laundering problems are easily solved if you understand the cause. Using the tables below will save you time and money by helping you avoid unnecessary service calls.

Problem	Possible Cause	Solution
<b>Message Codes</b> "PF" (Power Failure)	Dryer connected to power supply during installation or power failure.	Press STOP/CANCEL to clear display.
	Drying cycle interrupted by power failure.	Press START to restart the dryer.
	"E1" or "E2"	Service required. Call for service.
<b>Not Drying Satisfactorily</b>	Lint screen is clogged with lint.	Clean lint screen.
	Restricted air movement. Exhaust vent or outside exhaust hood is clogged with lint.	Run dryer for 5-10 minutes. Hold hand under outside exhaust hood to check air movement. If you do not feel air moving, clean exhaust system of lint or replace exhaust vent with rigid metal or flexible heavy metal vent (see "INSTALLATION," Section D).
	Exhaust vent is crushed or kinked.	Replace with heavy metal or flexible metal vent (see "INSTALLATION," Section D).
	One fuse is blown or circuit breaker is tripped. The dryer will appear to operate, but you will not get any heat.	Replace fuse or reset breaker.
	AIR DRY Cycle has been selected.	Select the right cycle for the types of garments being dried (see "OPERATION").
	Load not contacting the sensor strips and automatic cycle ending early.	Level dryer (see "INSTALLATION," Section B).
	Fabric softener sheets blocking outlet grill.	Use only one softener sheet per load and only use it once.
	Dryer located in room with temperature below 45°F.	Move dryer where it can operate in ambient air temperatures above 45°F.
	Large amount of moisture in the load.	Expect longer dry times with items that hold more moisture (cottons).
	Cold rinse water used.	Expect longer dry times, but you are saving energy and reducing wrinkles.
Load too large and bulky to dry quickly.	Separate load to tumble freely.	

<b>Problem</b>	<b>Possible Cause</b>	<b>Solution</b>
<b>Dryer Will Not Run</b>	Power cord not firmly plugged into a live circuit with proper voltage.	Plug power cord into a live circuit.
	Fuses blown or circuit breakers tripped.	Replace fuses or reset breakers.
	Using a regular fuse.	Replace with a time-delay fuse.
	Dryer door not firmly closed.	Close dryer door tightly.
	START pad not pressed.	Press START pad.
	Cycle not selected.	Select cycle and press START pad.
<b>Lint in Load</b>	Lint screen is clogged.	Clean lint screen. Check for air movement.
	Improper sorting.	Sort lint givers from lint takers and by color.
	Load is too big or heavy.	Dry smaller loads so lint can be carried to the lint screen.
	Load is overdried.	Use correct dryer settings for fabric. Overdrying can cause lint-attracting static (see "OPERATION").
	Paper or tissue in pockets.	Clean out pockets before drying.
	Pilling being mistaken for lint.	Pilling (surface fuzz) is caused by normal wear and laundering.
<b>Stains on Load</b>	Improper use of fabric softener in washer.	Use fabric softener sheets in dryer. Add at beginning of cycle when load is cold.
	Drying soiled items.	Items need to be clean before being dried.
<b>Items Shrinking</b>	Overdrying.	Match dryer settings to fabric type (see "OPERATION").
	Poor garment quality.	Check quality of garment before purchasing.
	Manufacturer's care label instructions not followed.	Follow fabric care label instructions carefully.
<b>Loads are Wrinkled</b>	Overloading.	Dry smaller loads that can tumble freely.
	Overdrying.	Match dryer settings to fabric type (see "OPERATION").
	Load left in dryer at the end of cycle.	Remove load as soon as tumbling stops.
<b>Odors</b>	Household chemicals, paint, or varnish being drawn into dryer.	Do not use dryer while these chemical fumes are in the air.
	First use of dryer element.	Odor will be gone after the first cycle.
<b>Unusual Sound</b>	Thumping of rollers when dryer has set.	Thump will go away after 5 minutes of drying.



# SEARS MAINTENANCE AGREEMENT

## KENMORE ELITE™ DRYERS

"We Service What We Sell" is our assurance that you can depend on Sears for service. Your Kenmore ELITE™ appliance has added value when you consider that Sears has service units nationwide, staffed with professional technicians trained on all appliances Sears sells. They have the knowledge and skills, tools, parts, and equipment to ensure our pledge to you that "We Service What We Sell."

Maintain the value of your purchase with a Sears Maintenance Agreement. Kenmore ELITE™ appliances are designed, manufactured, and tested for years of dependable operation. Yet, any appliance may require service from time to time. The Sears Maintenance Agreement offers you an outstanding service program for your product.

### **The Sears Maintenance Agreement:**

- Is your way to buy tomorrow's service at today's prices.
- Eliminates repair bills resulting from normal use.
- Allows for as many service calls as required.
- Provides an annual Preventive Maintenance Check at your request to keep your dryer in proper running condition.

**For more information call:  
1-800-827-6655**

## NOTES

**For in-home major brand repair service:**

Call 24 hours a day, 7 days a week

**1-800-4-MY-HOME<sup>SM</sup>** (1-800-469-4663)

**Para pedir servicio de reparación – 1-800-676-5811**

Au Canada pour tout le service – 1-877-LE-FOYER<sup>SM</sup> (1-877-533-6937)

**For the repair or replacement parts you need:**

Call 6 a.m. – 11 p.m. CST, 7 days a week

**PartsDirect<sup>SM</sup>**

**1-800-366-PART** (1-800-366-7278)

[www.sears.com/partsdirect](http://www.sears.com/partsdirect)

**Para ordenar piezas – 1-800-659-7084**

**For a Sears Service Center location in your area:**

Call 24 hours a day, 7 days a week

**1-800-488-1222**

**For a Sears Maintenance Agreement purchase or inquiry:**

Call 7 a.m. – 5 p.m. CST, Monday – Saturday

**1-800-827-6655**

