

PART NUMBER 8316532

# COIN SLIDE KIT INSTALLATION AND VEND PRICE CHANGE INSTRUCTIONS

## ESD MECHANICAL PRODUCTS 90 DAY WARRANTY

ESD warrants that the products it manufactures will be free from manufacturer's defects in materials and workmanship for a period of 90 DAYS from the date of washer/dryer equipment purchase. In the event of a defect, it will be the manufacturer's option to repair or replace the defective part or component. The manufacturer retains the option to replace the defective part or component with a new or remanufactured part or component.

Warranty is recognized only upon receipt of a copy of the original equipment invoice, and a description of item(s) in question. ESD reserves the right to inspect the product and determine reason for defect.

Customers who purchase ESD products do so with the knowledge that higher security products are available for an additional cost. Furthermore, a thief with ingenuity and specialized tools may have the ability to force, pick or otherwise defeat any lock or lock box when given sufficient access. Customers assume full responsibility of protecting ESD products from attack or accept the risk of failing to do so. **Vandalism is not covered under warranty.**

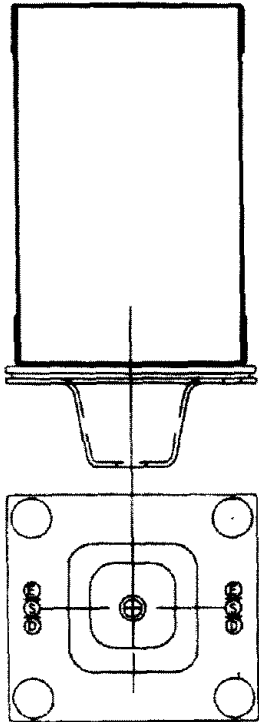
Customer shall be responsible for paying return freight to ESD. Labor to replace parts is not included in the warranty.

ESD DISCLAIMS ANY WARRANTY, EXPRESSED OR IMPLIED, THAT ESD PRODUCT'S WILL WITHSTAND ANY GIVEN ATTACK. ESD ASSUMES NO LIABILITY FOR ANY RESULTING LOSS OR DAMAGE.

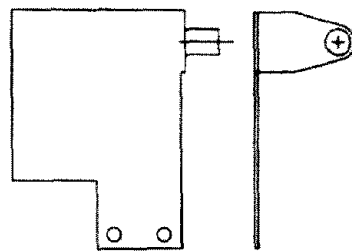
### ESD Technical Support

To initiate a warranty repair or replacement, the customer must secure a Return Goods Authorization number (RGA#) from ESD by calling  
215-628-0860

# COIN SLIDE KIT (3954807) INSTALLATION INSTRUCTIONS



ESD  
MONEYBOX

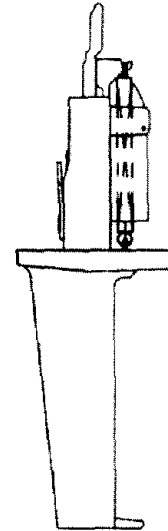


WASHER EXTENSION  
PART # 21053

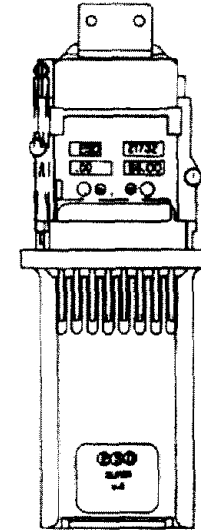
## KIT COMPONENTS:



DRYER EXTENSION  
PART # 21064



COIN SLIDE



#10-32 PAN HEAD SCREWS  
(2) REQ'D



MOUNTING BOLT  
PART # 21749

### WASHER KIT CONSISTS OF

- 1 COIN SLIDE (V8-200)
- 1 MONEY BOX (72101-XD w/ Key)
  - 1 BAG INCLUDING:
- 1 MOUNTING BOLT #21749
- 1 EXTENSION #21053
- 2 SCREWS #10-32 PAN HEAD #50035
- 1 DECAL SHEET #72097
- 1 SERVICE DOOR LOCK (KEY & CAM INCLUDED) (0400ET)

\$1.25

\$0.50

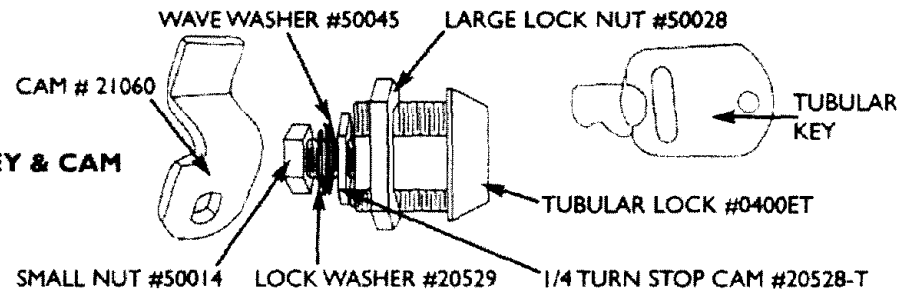
\$0.75

DECAL  
PART# 72097

### DRYER KIT CONSISTS OF

- 1 COIN SLIDE (V8-200)
- 1 MONEY BOX (72101-XD)
  - 1 BAG INCLUDING:
- 1 MOUNTING BOLT #21749
- 1 EXTENSION #21064
- 2 SCREWS #10-32 PAN HEAD #50035
- 1 DECAL SHEET #72097
- 1 SERVICE DOOR LOCK (KEY & CAM INCLUDED) (0400ET)

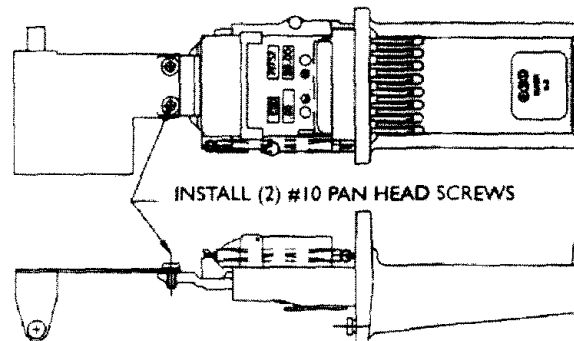
### LOCK, KEY & CAM



## STEP 1: COIN SLIDE EXTENSION ASSEMBLY

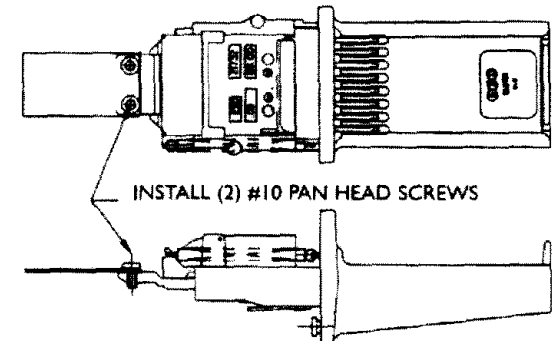
FIG. #1  
WASHER COINSLIDE ASSEMBLY

FIG. #2  
DRYER COINSLIDE ASSEMBLY



MOUNT WASHER EXTENSION #21053 TO COIN SLIDE

FIG. # 1



MOUNT DRYER EXTENSION #21064 TO COIN SLIDE

FIG. # 2



## ⚠ WARNING

Electrical Shock Hazard

Disconnect power before servicing  
Replace all panels before operating.  
Failure to do so can result in death or electrical shock.

### DISCONNECT ELECTRICAL POWER BEFORE INSTALLATION

#### STEP 2:

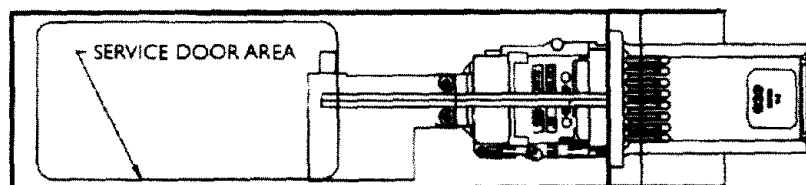
- INSERT KEY INTO MONEY BOX - TURN KEY TO OPEN POSITION (UNLOCKED)
- INSTALL MONEY BOX IN METER CASE AS INDICATED BY ARROW FIG #3
- LOCK MONEY BOX TO SECURE

#### STEP 3:

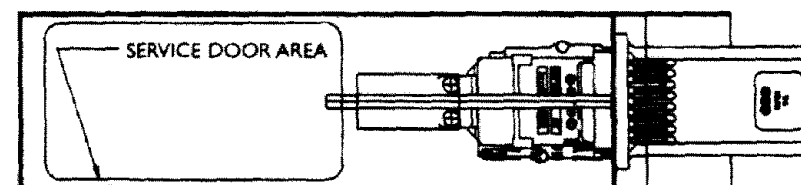
- INSTALL COINSLIDE WITH EXTENSION (SEE FIG #1 FOR WASHER) (SEE FIG. #2 FOR DRYER)

#### STEP 4:

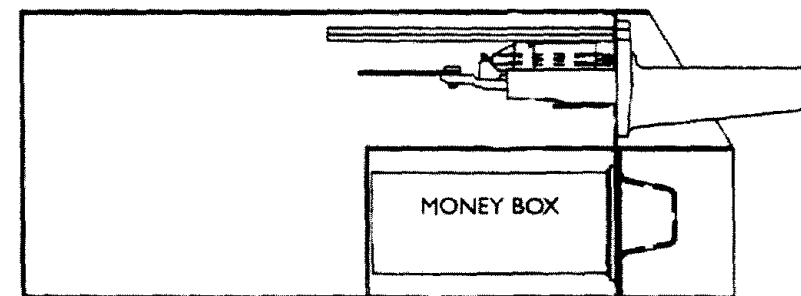
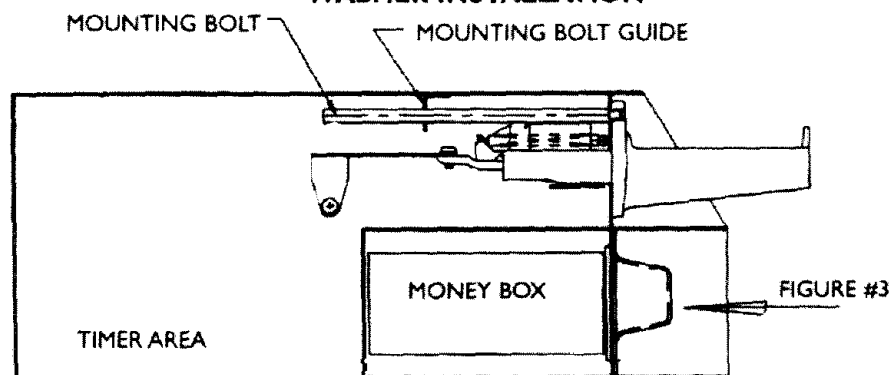
- SECURE COINSLIDE WITH MOUNTING BOLT (#21749) BY INSERTING THE MOUNTING BOLT THROUGH THE SERVICE DOOR OPENING ON TOP OF METER CASE. GUIDING THROUGH MOUNTING BOLT GUIDE AND TIGHTEN TO SECURE COIN SLIDE. USE A 5/16 SOCKET AND RATCHET (DO NOT OVER-TIGHTEN)



**WASHER INSTALLATION**



**DRYER INSTALLATION**



#### STEP 5:

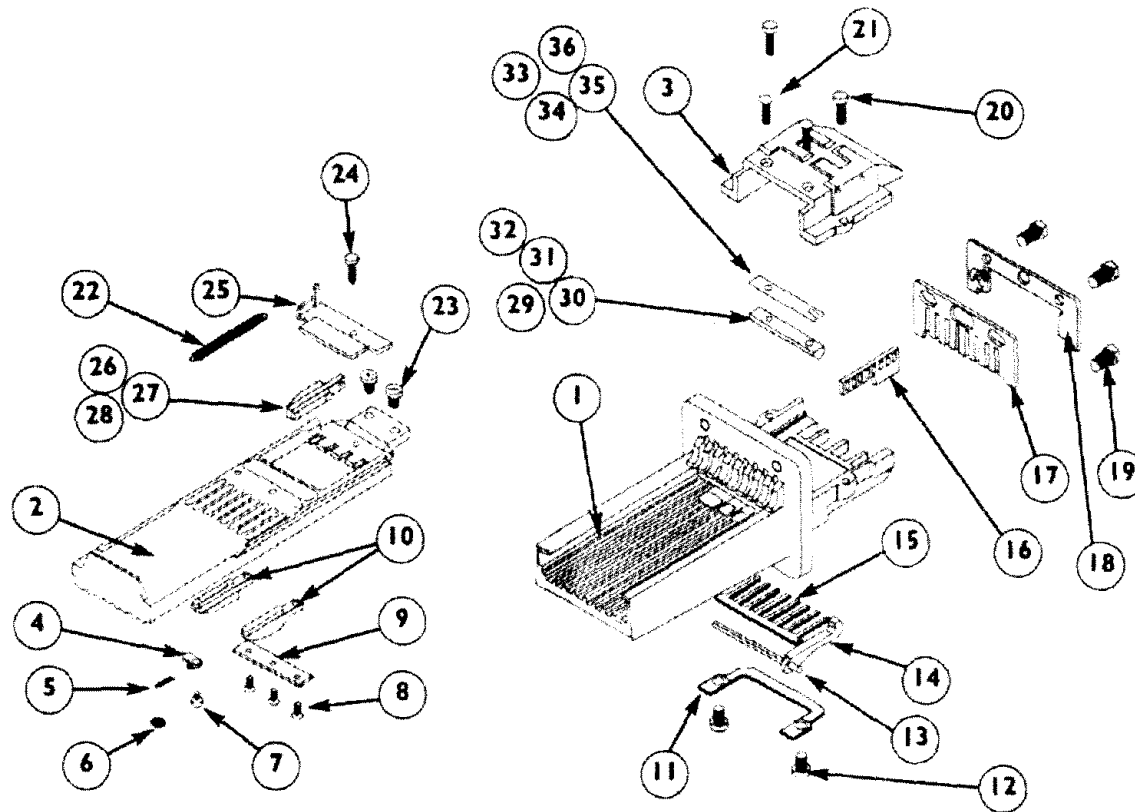
- REMOVE 3/4 INCH NUT (LARGE #50028) FROM LOCK
- REMOVE 9/32 INCH NUT (SMALL #50014) FROM TAIL OF LOCK
- REMOVE LOCK WASHER (#20529) FROM TAIL OF LOCK
- DO NOT REMOVE (2) WAVE WASHERS (#50045) FROM TAIL OF LOCK
- INSERT LOCK THROUGH SERVICE DOOR PANEL HOLE
- ATTACH 3/4 INCH NUT (LARGE #50028), TIGHTEN TO SECURE TO PANEL
- FASTEN CAM (#21060) ONTO TAIL OF LOCK SECURING CAM WITH LOCK WASHER AND SMALL NUT. (OFFSET SIDE DOWN)

## VERTICAL 8 PRICE CHANGE INSTRUCTIONS

- STEP 1:** UNHOOK RETURN SPRING (#22)
- STEP 2:** PUT COINS IN HANDLE. PUSH HANDLE (#2) IN UNTIL COINS DROP THROUGH COINSLIDE
- STEP 3:** WHILE HOLDING HANDLE IN, LOOSEN SPRING BRACKET SCREW (#24)
- STEP 4:** REMOVE FUNCTIONAL INSERTS (#27) FROM CAVITY OF COINSLIDE HANDLE (SUGGESTION, STORE ALL INSERTS IN BULK FOR FUTURE USE)
- STEP 5:** RETIGHTEN SPRING BRACKET SCREW (#24)
- STEP 6:** FLIP COIN SLIDE UPSIDE DOWN, REMOVE THREE INSERT RETAINER PLATE SCREWS (#8) FROM UNDERSIDE
- STEP 7:** EXCHANGE BLANK INSERTS WITH FUNCTIONAL INSERTS

### REVERSE INSTRUCTIONS TO RE-ASSEMBLE

ITEM	PART #	DESCRIPTION
1	21728	BODY
2	21727	HANDLE
3	21732	BRIDGE
4	20059	RATCHET
5	20065	RATCHET SPRING
6	20664	RETAINER SPRING
7	20736	RATCHET SCREW
8	21209	INSERT RETAINER PLT SCREW
9	21738	INSERT RETAINER PLATE
10	21216	BLANK INSERT
11	20709	BOTTOM PLATE
12	50034	BOTTOM PLATE SCREW
13	20710	PIVOT PIN
14	20181	LEVER
15	20717	LEAF SPRING
16	21210	RATCHET PLATE
17	21881	GATE
18	21866	GATE RETAINER



ITEM	PART #	DESCRIPTION
19	20185	LOCATION SCREW
20	50033	BRIDGE SCREW
21	20662	BRIDGE INSERT SCREW
22	21771	RETURN SPRING
23	50035	EXTENSION SCREW
24	50032	SPRING BRACKET SCREW
25	21860	SPRING BRACKET
26	21194	10¢ INSERT
27	21193	25¢ INSERT
28	21281	\$1.00 INSERT
29	21758	\$1.85 BRIDGE INSERT
30	21759	\$2.00 BRIDGE INSERT
31	21760	\$2.75 BRIDGE INSERT
32	21765	\$5.75 BRIDGE INSERT
33	20732	.010 SHIM
34	20733	.015 SHIM
35	20734	.020 SHIM
36	20735	.030 SHIM