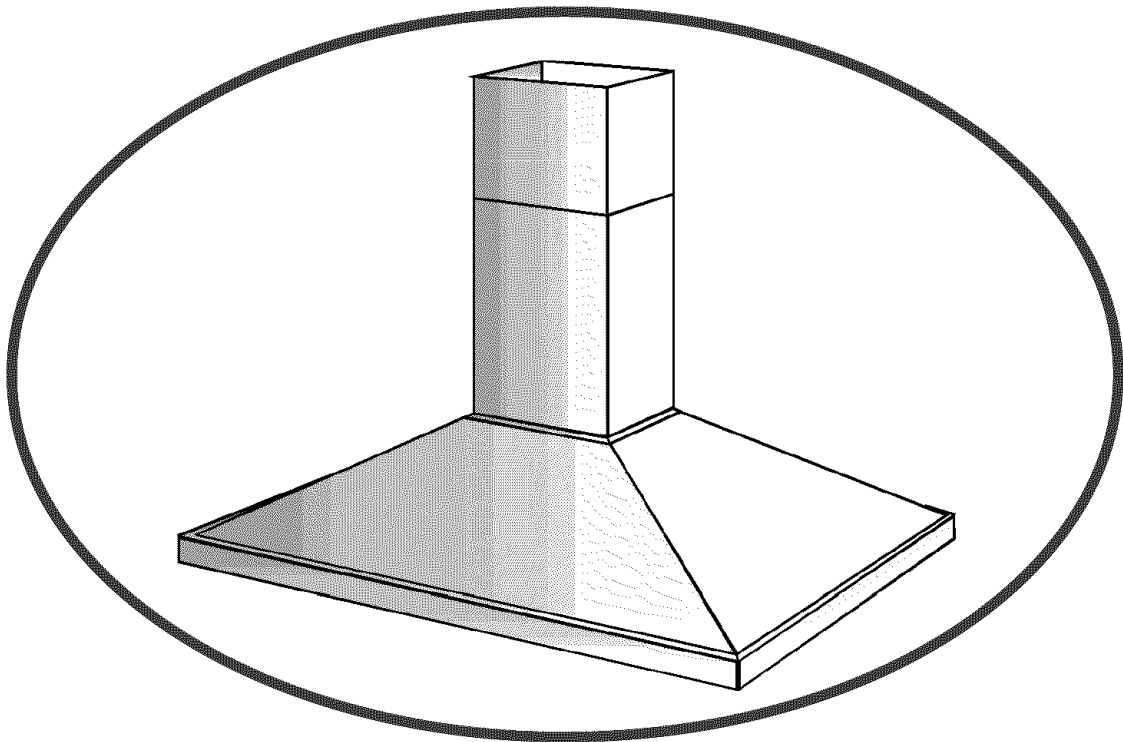


Use & Care Guide Installation Instructions

Vent Hood



 **Electrolux**

2 Finding Information

READ AND SAVE THESE INSTRUCTIONS

Attach your sales receipt to this page for future reference.

NOTE

Installer: Leave instructions with owner.

Owner: Read your Hood Use & Care Manual. It contains important safety information for operating this appliance. It also has many suggestions for getting the best results from your hood.

Read all instructions before installing the hood.

For your safety, please read and observe all safety instructions. This guide will help you anticipate all installation connections.

QUESTIONS?

For toll-free telephone support in the U.S. and Canada:
1-877-4ELECTROLUX (1-877-435-3287)

For online support and Internet product information:
www.electroluxusa.com

TABLE OF CONTENTS

Finding Information	2
Please Read And Save This Guide	2
Make A Record For Quick Reference	2
Questions.....	2
Table Of Contents	3
Safety	4
Important Safety Instructions	4
General Precautions	5
Getting Started	8
Operating Your Hood	8
Care and Cleaning	11
Cleaning the Filters and Hood	11
Installation	12
Installation Planning.....	12
Verifying Package Contents.....	13
Installing the Ductwork.....	14
Installing the Support System	15
Connecting the Decorative Flue	16
Installing the Duct Collar.....	16
Mounting the Hood to Support Frame	17
Installing the Electrical	17
Connecting the Ductwork.....	18
Replacing the Bottom Trim	18
Installing the Filters.....	19
Troubleshooting	20
If Service is Required.....	20
Troubleshooting Guide.....	21
Energy Saving Tips.....	22
Warranty Information	24


4 Safety

IMPORTANT SAFETY INSTRUCTIONS

Safety Precautions

Do not attempt to install or operate your unit until you have read the safety precautions in this manual. Safety items throughout this manual are labeled with a Warning or Caution based on the risk type.

Definitions

 This is the safety alert symbol. It is used to alert you to potential personal injury hazards. Obey all safety messages that follow this symbol to avoid possible injury or death.

WARNING

WARNING indicates a potentially hazardous situation which, if not avoided, could result in death or serious injury.

CAUTION

CAUTION indicates a potentially hazardous situation which, if not avoided, may result in minor or moderate injury.

CAUTION

CAUTION used without the safety alert symbol indicates a potentially hazardous situation which, if not avoided, may result in property damage.

IMPORTANT

Indicates installation, operation or maintenance information which is important but not hazard related.

SAFETY PRECAUTIONS

WARNING

- Read all instructions before using this appliance.
- Install or locate this appliance only in accordance with these installation instructions.
- Do not operate this appliance if it has a damaged electrical conduit or wires, if it is not working properly or if it has been damaged or dropped.
- To reduce the risk of fire, electric shock, or injury to persons, observe the following:
 - a) Installation work and electrical wiring must be done by qualified person(s) in accordance with all applicable codes and standards, including fire-rated construction.
 - b) Sufficient air is needed for proper combustion and exhausting of gases through the flue (chimney) of fuel burning equipment to prevent back drafting. Follow the heating equipment manufacturer's guidelines and safety standards such as those published by the National Fire Protection Association (NFPA), and the American Society for Heating, Refrigeration and Air Conditioning Engineers (ASHRAE), and the local code authorities.
 - c) When cutting or drilling into wall or ceiling, do not damage electrical wiring and other hidden utilities.
 - d) Ducted fans must always be vented outdoors.
 - e) Use this unit only in the manner intended by the manufacturer. If you have questions, contact the manufacturer.
 - f) Before servicing or cleaning unit, switch power off at service panel and lock the service disconnecting means to prevent power from being switched on accidentally. When the service disconnecting means cannot be locked, securely fasten a prominent warning device, such as a tag, to the service panel.
- To reduce the risk of fire, use only metal ductwork.
- Grounding Instructions

This appliance must be grounded. In the event of an electrical short circuit, grounding reduces the risk of electric shock by providing an escape wire for the electric current. This appliance is equipped with a cord having a grounding wire with a grounding plug. The plug must be plugged into an outlet this is properly installed and grounded.
- Improper grounding can result in a risk of electric shock.
- Consult a qualified electrician if the grounding instructions are not completely understood, or if doubt exists as to whether the appliance is properly grounded.
- Do not use this unit with any separate solid-state speed control device.

6 Safety

WARNING

- Do not use an extension cord. If the power supply cord is too short, have a qualified electrician install an outlet near the appliance.
- This appliance should be serviced only by qualified service personnel. Contact the nearest Electrolux authorized servicer at (877) 435-3287, or at www.electroluxusa.com for examination, repair or adjustment.
- If the information in this manual is not followed exactly, a fire or explosion may result causing property damage, personal injury, or death.
- Do not store or use gasoline or other flammable vapors and liquids in the vicinity of this or any other appliance.
- Improper installation, adjustment, alteration, service, or maintenance can cause personal injury or property damage. Refer to these instructions and the accompanying Use & Care Manual. For assistance or additional information, consult a qualified installer, service agency, or dealer.
- Keep appliance area clear and free from combustible material.
- For general ventilating use only. Do not use to exhaust hazardous or explosive materials and vapors.
- To reduce the risk of a range top grease fire:
 - a) Never leave surface units unattended at high settings. Boilovers cause smoking and greasy spillovers that may ignite. Heat oils slowly on low or medium settings.
 - b) Always turn hood ON when cooking at high heat or when cooking flaming foods.
 - c) Clean ventilating fans frequently. Grease should not be allowed to accumulate on fan or filter.
 - d) Use proper pan size. Always use cookware appropriate for the size of the surface element.

CAUTION

- To reduce risk of fire and to properly exhaust air, be sure to duct air outside. Do not vent exhaust air into spaces within walls or ceilings or into attics, crawl spaces, or garages.
- Take care when using cleaning agents or detergents.
- Avoid using food products that produce flames under the Range Hood.
- For general ventilating use only. Do not use to exhaust hazardous or explosive materials and vapors
- To avoid motor bearing damage and noisy and/or unbalanced impellers, keep drywall spray, construction dust, etc. off power unit.
- Your hood motor has a thermal overload which will automatically shut off the motor if it becomes overheated. The motor will restart when it cools down. If the motor continues to shut off and restart, have the hood serviced.
- For best capture of cooking impurities, the bottom of the hood should be a minimum of 24" and a maximum of 30" above the cooking surface. See "Installing the Support System" section for mounting restrictions.
- Two installers are recommended because of the large size and weight of this hood.
- This product is equipped with a thermostat which may start blower automatically. To reduce the risk of injury and to prevent power from being switched on accidentally, switch power off at service panel and lock or tag service panel.
- Please read specification label on product for further information and requirements.
- Use with approved cord-connection kit only.

8 Getting Started

OPERATING YOUR HOOD

The hood is operated using the slide controls under the front edge of the hood.
The light switch turns the halogen lights on and off.

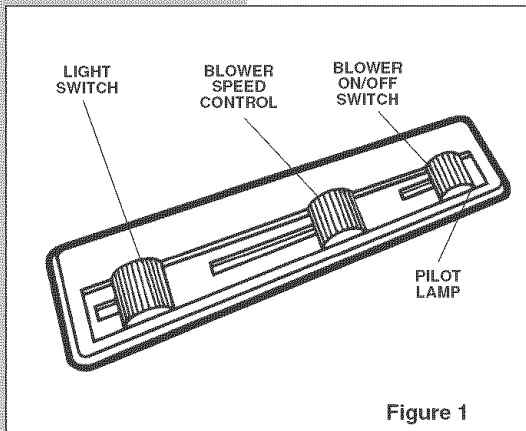


Figure 1

The blower on/off switch turns the blower on to the running speed set by the blower speed control. The blower must be turned on and off using this switch.

The blower speed control changes the running speed of the blower (1-2-3).

The pilot lamp lights up whenever the blower is on.

Auto-Start Heat Sensing System

Your hood is equipped with an Auto-Start Heat Sensing System thermostat. This thermostat is a device that will turn on or speed up the blower if it senses excessive heat above the cooking surface.

- 1 If blower is OFF - it turns blower ON to HIGH speed.
- 2 If blower is ON at a lower speed setting - it turns blower up to HIGH speed.

When the temperature level drops to normal, the blower will return to its original setting.

⚠️ WARNING

The Auto-Start Heat Sensing System thermostat can start the blower even if the hood is turned OFF. When this occurs, it is impossible to turn the blower OFF with its switch. If you must stop the blower, do it from the main electrical panel.

HALOGEN BULBS

This range hood requires four (4) halogen bulbs (Type MR16, 12V, 20W).

⚠ WARNING

Always switch off the electrical supply before performing any operations on the appliance.

To change bulbs:

- 1 Loosen the ring nut by turning it counterclockwise.
- 2 Remove the bulb by pulling downward (DO NOT ROTATE).

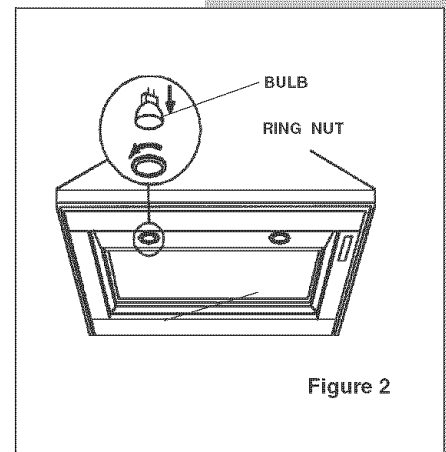
⚠ CAUTION

Bulb may be hot.

- 3 Replace with a bulb of the same type (MR16, 12V, 20W). Do not touch replacement bulb with bare hands.

⚠ CAUTION

Use of bulbs greater than 20 watts will cause the fuse to open..



10 Operation

FUSE REPLACEMENT

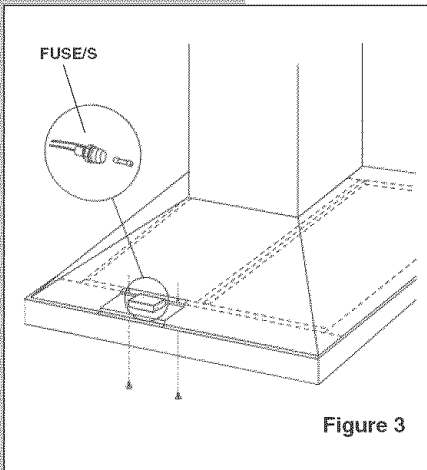


Figure 3

IF LIGHTS FAIL TO OPERATE, DISCONNECT POWER AT THE SERVICE ENTRANCE. CHECK THE FUSE AND REPLACE IF NECESSARY.

- 1 Remove grease filters.
- 2 Remove the electrical box support and open the fuse box.
- 3 Unscrew the cap from the fuse holder and remove the fuse.
- 4 Replace the fuse with the same size and amperage (5 x 20mm, 4 amp, 125 volt).

⚠ CAUTION

Use of a fuse greater than 4 amps may damage the transformer.

- 5 Reconnect power at the service entrance.

CLEANING THE FILTERS AND HOOD

Proper maintenance of the Range Hood will assure proper performance of the unit.

Grease Filters

The **grease filters** should be cleaned frequently. Use a warm detergent solution. Grease filters are dishwasher safe.

See "INSTALL FILTERS" section for removal and installation instructions.

Hood Cleaning

Stainless steel is one of the easiest materials to keep clean. Occasional care will help preserve its fine appearance.

Cleaning tips:

- 1 Hot water with soap or detergent is all that is usually needed.
- 2 Follow all cleaning by rinsing with clear water. Wipe dry with a clean, soft cloth to avoid water marks.
- 3 For discolorations or deposits that persist, use a non-scratching household cleanser or stainless steel polishing powder with a little water and a soft cloth.
- 4 For stubborn cases, use a plastic scouring pad or soft bristle brush together with cleanser and water. Rub lightly in direction of polishing lines or "grain" of the stainless finish. Avoid using too much pressure which may mar the surface.
- 5 DO NOT allow deposits to remain for long periods of time.
- 6 DO NOT use ordinary steel wool or steel brushes. Small bits of steel may adhere to the surface causing rust.
- 7 DO NOT allow salt solutions, disinfectants, bleaches, or cleaning compounds to remain in contact with stainless steel for extended periods. Many of these compounds contain chemicals which may be harmful. Rinse with water after exposure and wipe dry with a clean cloth.

Painted surfaces should be cleaned with warm water and mild detergent only.

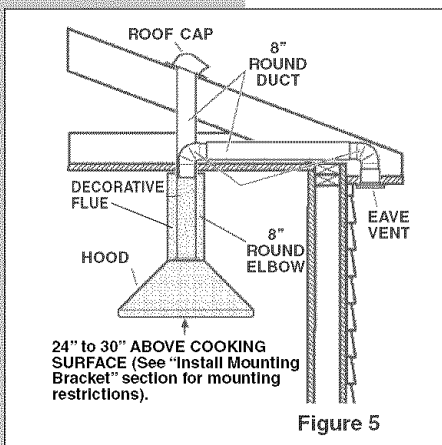
14 Installation

INSTALLING THE DUCTWORK

⚠ CAUTION

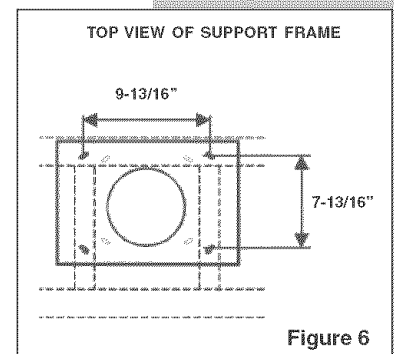
To reduce the risk of fire, use only metal ductwork.

- 1 Decide where the ductwork will run between the hood and the outside. Figure 5.
- 2 A straight, short duct run will allow the hood to perform most efficiently.
- 3 Long duct runs, elbows, and transitions will reduce the performance of the hood. Use as few of them as possible. Larger ducting may be required for best performance with longer duct runs.
- 4 Install a roof or wall cap. Connect round metal ductwork to cap and work back towards hood location. Use duct tape to seal the joints between ductwork sections.

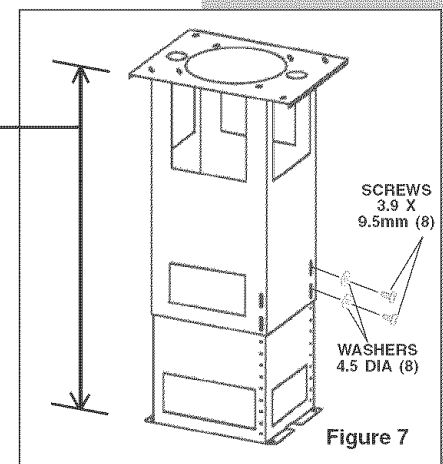


INSTALLING THE SUPPORT SYSTEM

- 1 At hood location, install 2 x 4 cross framing between ceiling joists using dimensions shown in Figure 6.
- 2 Finish the ceiling surface. Be sure to mark the location of the ceiling joists and cross framing.
- 3 Measure the ceiling height and determine distance between the cook top and bottom of hood.
- 4 Per the chart, adjust overall length of the support frame as shown in Figure 7. Remove and reinstall (4) screws in the height adjustment slots to achieve proper length. Install (4) additional 3.9 x 9.5mm screws and 4.5 diameter washers from the Hardware Parts Bag.



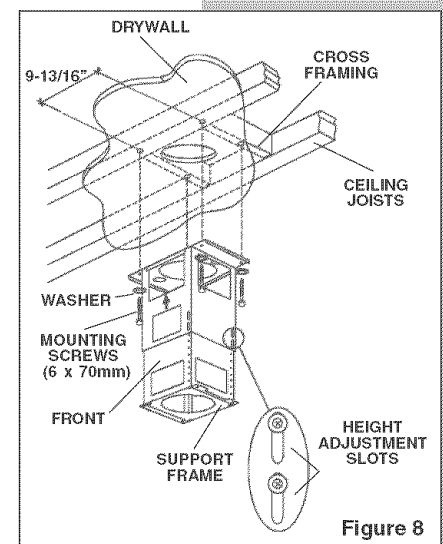
SUPPORT FRAME HEIGHT ADJUSTMENT CHART							
CEILING HEIGHT	HOOD DISTANCE ABOVE 36" HIGH COOKTOP (SEE NOTE A)						
	24"	25"	26"	27"	28"	29"	30"
SUPPORT FRAME LENGTH							
8- FEET	25"	24"	23"				
9- FEET							31"
10- FEET (See note B)				46"	45"	44"	43"



NOTE

- A. Minimum hood distance above the cook top must not be less than 24". A maximum of 30" above the cook top is highly recommended for best capture of cooking impurities. Distances over 30" above the cook top are at the installer's and user's discretion - providing that the ceiling height and flue length permit.
- B. Requires optional 10-foot flue extension model EXPV100S.

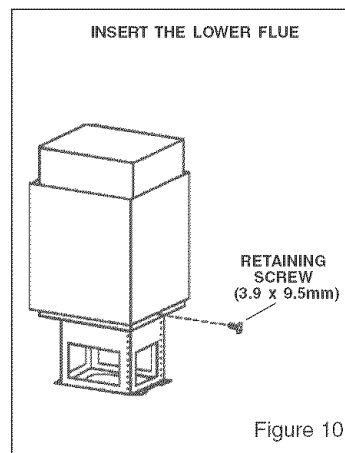
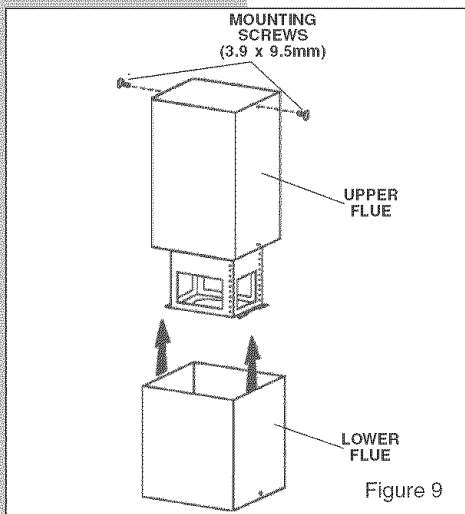
- 5 Secure the support frame to ceiling joists and cross framing with (4) 6 x 70mm lag bolts and 6.4 diameter washers provided. Make sure the bolts are driven into centers of joists and cross framing for maximum strength. See Figure 8.
- 6 Run 2-wire plus ground electrical cable through the hole on top of the support frame bracket. Cable length must extend at least 12" below the bottom of the support frame. Secure cable to the support frame with an appropriate cable connector.



16 Installation

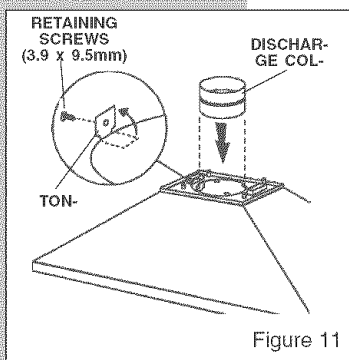
CONNECTING THE DECORATIVE FLUE

- 1 Secure the upper flue to the upper support frame with the mounting screws (3.9 x 9.5mm).
- 2 Insert the lower flue moving it completely towards the top and secure it temporarily with retaining screws (3.9 x 9.5mm).



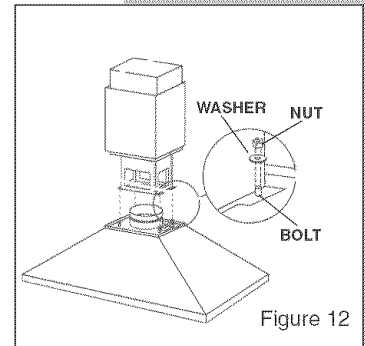
INSTALLING THE DUCT COLLAR

- 1 Fold the 2 tongues outwards.
- 2 Secure the discharge collar to the hood with (2) retaining screws (3.90 x 9.5mm).



MOUNTING THE HOOD TO SUPPORT FRAME

- 1 Insert four (4) bolts through the top of the hood from the inside.
- 2 Use four (4) nuts and four (4) washers to secure hood to support frame.

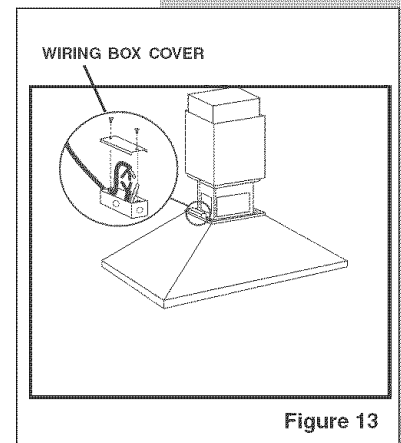


INSTALLING THE ELECTRICAL

⚠ WARNING

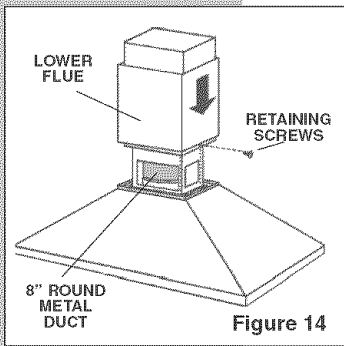
Electrical wiring must be done by a qualified person(s) in accordance with all applicable codes and standards. This range hood must be properly grounded. Turn off electrical power at service entrance before wiring.

- 1 Remove the wiring box cover. Remove a knockout from the wiring box.
- 2 Feed 6" of power cable through the knockout opening and secure cable to the wiring box with an appropriate connector.
- 3 Make electrical connections. Connect white to white, black to black and green to green.
- 4 Replace wiring box cover and screws. Check that wires are not pinched between cover and box.

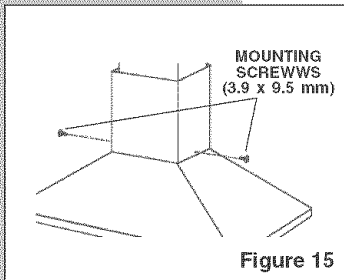


18 Installation

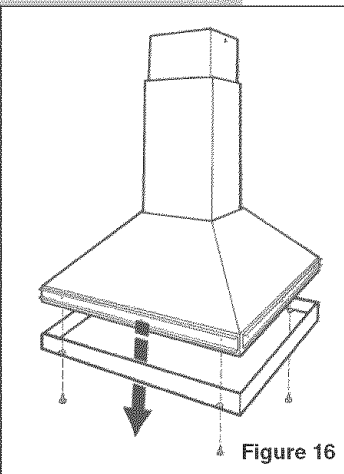
CONNECTING THE DUCTWORK



- 1 Use 8" round metal duct to connect the discharge collar on the hood to the ductwork above.
- 2 Use duct tape to make all joints secure and air tight.
- 3 Remove the two temporary retaining screws from the lower flue and set it in place on the hood.
- 4 Secure decorative flue to hood with two mounting screws (3.9 x 9.5mm).



REPLACING THE BOTTOM TRIM



- 1 Remove the four (4) screws from the inside of the hood.
- 2 Remove the trim by pulling downward.
- 3 Slide the new trim upward into hood.
- 4 Replace the four screws inside hood.

INSTALLING THE FILTER(S)

- 1 To remove the grease filter, grip the latch and pull it down. This will disengage the filters from the hood. Tilt the filter downward and remove.
- 2 To install the grease filter, align rear filter tabs with slots in the hood. Pull latch tab down, push filter up into position and release the tab. Make sure the filter is securely engaged after installation.

NOTE

Prior to use, remove protective film from the filter frame.

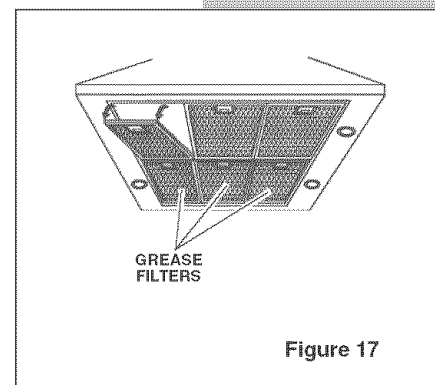


Figure 17

20 Troubleshooting

IF SERVICE IS REQUIRED

First, review the recommended checks listed in the **Troubleshooting Guide**. Then, be certain that the appliance has been installed properly and is being operated correctly. Familiarize yourself with the warranty terms and conditions listed in the **Warranty** section.

If the above checks have been completed and the problem has not yet been remedied, contact the dealer where you purchased the unit. State the Model and Serial number and explain the problem. The Model and Serial number plate is located inside the unit at upper right hand corner.

If you do not know the name of the selling dealer or local service company, you can check online at www.electroluxusa.com.

TROUBLESHOOTING GUIDE

IMPORTANT

Unnecessary service calls may be expensive, frustrating and time consuming. Before you call for service, please review the potential problems, possible causes and remedies shown in the table below.

<i>Troubleshooting - What to check when problems occur</i>		
Problem	Possible Cause	Remedy
Nothing works.	Vent power supply interrupted or not energized.	Have electrician check power supply, including house circuit breaker and fuses.
Lights do not turn on.	A loose or burned out light. Blown fuse.	Check the light. Check lamp fuse and replace if open.

22 Saving Energy

ENERGY SAVING TIPS

- 1 Do not operate the blower at a speed that is higher than necessary to remove the cooking exhaust. Running at excessive speeds removes more air from the inside of the house that must be replaced by outside air. This may be especially costly when the housing air conditioning or heating system is in operation.
- 2 Clean filters and grease-laden surfaces often to improve efficiency.
- 3 Turn off the blower as soon as all cooking smoke and odors have been eliminated.
- 4 Always use lids on cookware to retain heat and moisture.
- 5 Minimize the amount of liquid used to cook food.
- 6 Select cookware of the proper size, material and construction for the cooking task being performed.



24 Warranty

HOOD WARRANTY *Your hood is protected by this warranty*

	WARRANTY PERIOD	THROUGH OUR AUTHORIZED SERVICERS, WE WILL:	THE CONSUMER WILL BE RESPONSIBLE FOR:
FULL ONE-YEAR WARRANTY	One year from original purchase date.	Pay all costs for repairing or replacing any parts of this product which prove to be defective in materials or workmanship.	Costs of service calls that are listed under NORMAL RESPONSIBILITIES OF THE CONSUMER.*
LIMITED WARRANTY (Applicable to the State of Alaska)	Time periods listed above.	All of the provisions of the full warranties above and the exclusions listed below apply.	Costs of the technician's travel to the home and any costs for pick up and delivery of the appliance required because of service.

In the U.S.A., your appliance is warranted by Electrolux Home Products, Inc. We authorize no person to change or add to any of our obligations under this warranty. Our obligations for service and parts under this warranty must be performed by us or an authorized Electrolux Home Products, Inc. servicer. In Canada, your appliance is warranted by Electrolux Canada Corp.

*NORMAL RESPONSIBILITIES OF THE CUSTOMER

This warranty applies only to products in ordinary household use, and the consumer is responsible for the items listed below:

1. Proper use of the appliance in accordance with instructions provided with the product.
2. Proper installation by an authorized servicer in accordance with instructions provided with the appliance and in accordance with all local plumbing, electrical and/or gas codes.
3. Proper connection to a grounded power supply of sufficient voltage, replacement of blown fuses, repair of loose connections or defects in house wiring.
4. Expenses for making the appliance accessible for servicing, such as removal of trim, cupboards, shelves, etc., which are not a part of the appliance when it was shipped from the factory.
5. Damages to finish after installation.
6. Replacement of light bulbs and/or fluorescent tubes (on models with these features).

EXCLUSIONS

This warranty does not cover the following:

1. CONSEQUENTIAL OR INCIDENTAL DAMAGES SUCH AS PROPERTY DAMAGE AND INCIDENTAL EXPENSES RESULTING FROM ANY BREACH OF THIS WRITTEN OR ANY IMPLIED WARRANTY.
Note: Some states do not allow the exclusion or limitation of incidental or consequential damages, so this limitation or exclusion may not apply to you.
2. Service calls which do not involve malfunction or defects in workmanship or material, or for appliances not in ordinary household use. The consumer shall pay for such service calls.
3. Damages caused by services performed by servicers other than Electrolux Home Products, Inc., Electrolux Canada Corp., or its authorized servicers; use of parts other than genuine Electrolux Home Products parts; obtained from persons other than such servicers; or external causes such as abuse, misuse, inadequate power supply or acts of God.
4. Products with original serial numbers that have been removed or altered and cannot be readily determined.

IF YOU NEED SERVICE

Keep your bill of sale, delivery slip, or some other appropriate payment record. The date on the bill establishes the warranty period should service be required. If service is performed, it is in your best interest to obtain and keep all receipts. This written warranty gives you specific legal rights. You may also have other rights that vary from state to state. Service under this warranty must be obtained by contacting Electrolux Home Products, Inc. or Electrolux Canada Corp.

This warranty only applies in the 50 States of the U.S.A. and Puerto Rico, and Canada. Product features or specifications as described or illustrated are subject to change without notice. All warranties are made by Electrolux Home Products, Inc. In Canada, your appliance is warranted by Electrolux Canada Corp.

USA

1-877-4ELECTROLUX

Electrolux Home Products, Inc.

P.O. Box 212378

Augusta, GA 30917

Canada

1-866-294-9911

Electrolux Canada Corp.

6150 McLaughlin Road

Mississauga, Ontario

L5R 4C2