

 **1-800-243-0000**

24 HOURS A DAY, 7 DAYS A WEEK FOR LG CUSTOMER SERVICE

**OWNER'S MANUAL**

# Washing Machine

**WM2016CW**

Please read this manual carefully. It provides instructions on safe installation, use, and maintenance. Retain it for future reference.

Record the model and serial numbers of your machine and report this information to your dealer if your machine requires service.

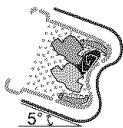


Designed specially to use only  
HE (High Efficiency) detergent

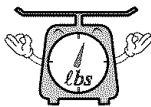
# PRODUCT FEATURES



- Direct Drive System**  
 The advanced Brushless DC motor directly drives the drum without belt and pulley.



- Tilted Drum and Extra Large Door Opening**  
 Tilted drum and extra large opening make it possible to load and unload clothing more easily.



- Automatic Wash Load Detection**  
 Automatically detects the load and optimizes the washing time.



- Child Lock**  
 The Child lock prevents children from pressing any button to change the settings during operation.



- The LED Display**  
 The LED display shows the settings, estimated time remaining, options, and status messages for your washer. When the washer is turned on, the light in the display will illuminate.

# CONTENTS

Important Safety Information .....	3
Specifications.....	4
Installation Instructions .....	5
Preparation Before Washing.....	10
Using the Dispenser.....	11
Cycles .....	13
How to Use the Washer .....	14
Maintenance .....	17
Troubleshooting Guide.....	20
Warranty .....	23

# IMPORTANT SAFETY INFORMATION

## READ ALL INSTRUCTIONS BEFORE USE

### **▲ WARNING!**

*For your safety, the information in this manual must be followed to minimize the risk of fire or explosion, electric shock, or to prevent property damage, personal injury, or loss of life.*

## **IMPORTANT SAFETY INSTRUCTIONS**

**▲ WARNING:** To reduce the risk of fire, electric shock, or injury to persons when using the washer, follow basic precautions, including the following:

- *Read all instructions before using the washer.*
- *Do not wash articles that have been previously cleaned in, washed in, soaked in, or spotted with gasoline, dry cleaning solvents, or other flammable or explosive substances, as they give off vapors that could ignite or explode.*
- *Do not add gasoline, dry cleaning solvents, or other flammable or explosive substances to the wash water. These substances give off vapors that could ignite or explode.*
- *Under certain conditions, hydrogen gas may be produced in a hot water system that has not been used for 2 weeks or more. HYDROGEN GAS IS EXPLOSIVE. If the hot water system has not been used for such a period, before using the washing machine, turn on all hot water faucets and let the water flow from each for several minutes. This will release any accumulated hydrogen gas. As the gas is flammable, do not smoke or use an open flame during this time.*
- *Do not allow children to play on or in the washer. Close supervision of children is necessary when the washer is used near children.*
- *Before the washer is removed from service or discarded, remove the door to prevent children from hiding inside.*
- *Do not install or store the washer where it will be exposed to the weather.*
- *Do not tamper with controls.*
- *Do not repair or replace any part of the washer or attempt any servicing unless specifically recommended in the user-maintenance instructions or published user-repair instructions that you understand and have the skills to carry out.*
- *See Installation Instructions for grounding requirements.*
- *ALWAYS follow the fabric care instructions supplied by the garment manufacturer.*
- *Do not place items exposed to cooking oil in your washer. Items contaminated with cooking oils may contribute to a chemical reaction that could cause a load to catch fire.*
- *Do not use fabric softeners or products to eliminate static unless recommended by the manufacturer of the fabric softener or product.*

## **SAVE THESE INSTRUCTIONS**

### **GROUNDING INSTRUCTIONS**

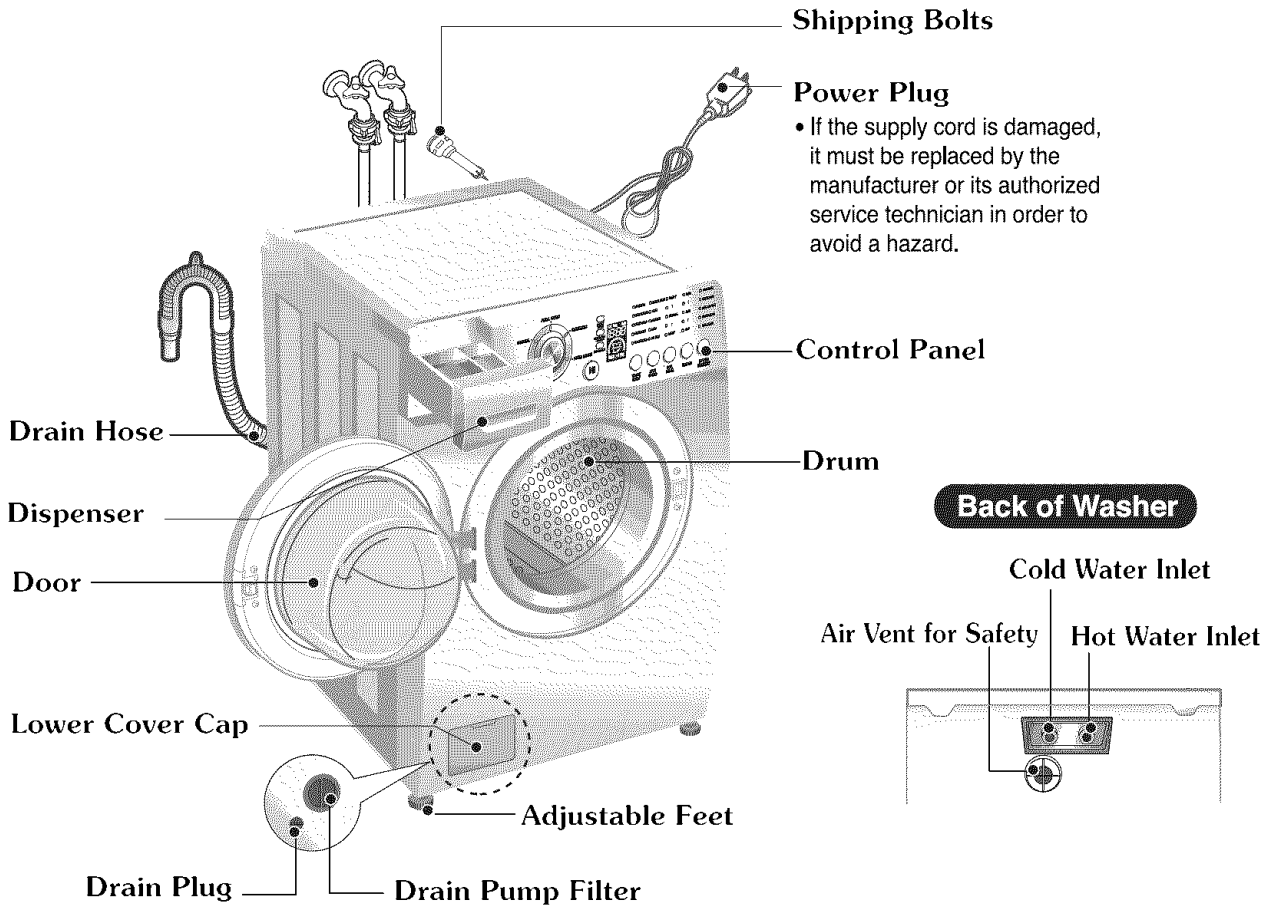
*This appliance must be grounded. In the event of malfunction or breakdown, grounding will reduce the risk of electric shock by providing a path of least resistance for electric current. This appliance is equipped with a cord having an equipment-grounding conductor and grounding plug. The plug must be plugged into an appropriate outlet that is properly installed and grounded in accordance with all local codes and ordinances.*

- *Do not use an adapter or extension cord.*
- *Do not remove ground prong.*
- *If you don't have the proper outlet, consult an electrician.*

**▲ WARNING:** Improper connection of the equipment-grounding conductor can result in risk of electric shock.

Check with a qualified electrician or serviceman if you are in doubt as to whether the appliance is properly grounded. Do not modify the plug provided with the appliance - if it does not fit the outlet, have a proper outlet installed by a qualified electrician.

# SPECIFICATIONS



**Shipping Bolts**

**Power Plug**

- If the supply cord is damaged, it must be replaced by the manufacturer or its authorized service technician in order to avoid a hazard.

**Control Panel**

**Drum**

## Back of Washer

**Cold Water Inlet**

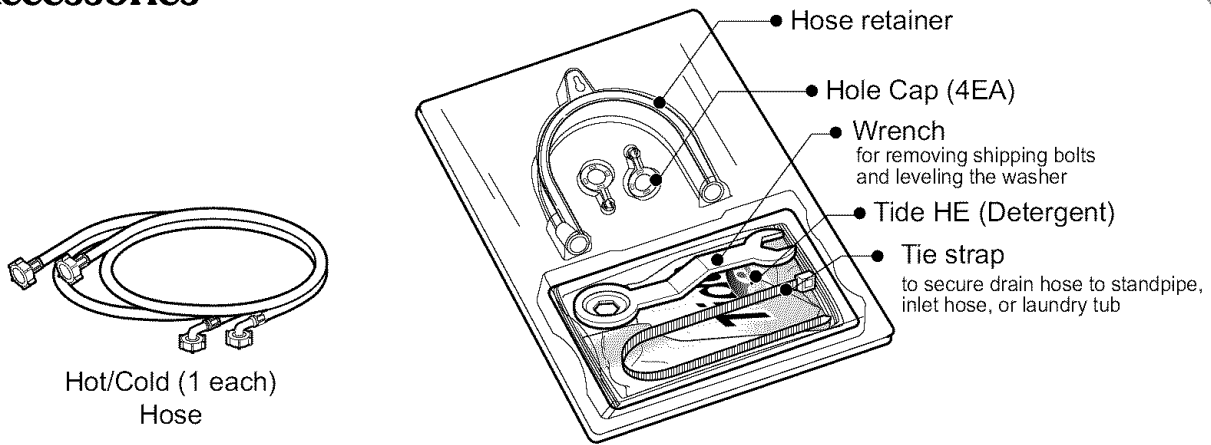
**Air Vent for Safety**

**Hot Water Inlet**

- Name: Front-loading Washing Machine
- Power supply: 120V~ 60Hz
- Size: 68.6 cm (W) X 75.6 cm (D) X 98.3 cm (H), 129.1 cm (D, door open)  
27"(W) X 29<sup>3</sup>/<sub>4</sub>"(D) X 38<sup>11</sup>/<sub>16</sub>"(H), 50<sup>13</sup>/<sub>16</sub>"(D, door open)
- Weight: 179 lbs. (81 kg)
- Wash capacity: 3.03 cu. ft. (IEC: 3.50 cu. ft.)<sup>1)</sup>
- Spin speed: 1100 rpm max.
- Permissible water pressure: 14.5~116 psi(100~800kPa)

\* Specifications subject to change by manufacturer.

## Accessories



Hot/Cold (1 each)  
Hose

1) Per IEC 60456, washes the equivalent of a 3.50 cu.ft. agitator washer

# INSTALLATION INSTRUCTIONS

**⚠ WARNING** : Two or more people may be need to install and move the appliance.

Install or store unit where it will not be exposed to temperatures below freezing or exposed to outside weather conditions.

Properly ground washer to conform with all governing codes and ordinances.

To reduce the risk of electric shock, do not install the washer in humid spaces.

The base opening must not be obstructed by carpeting when the washing machine is installed on a carpeted floor.

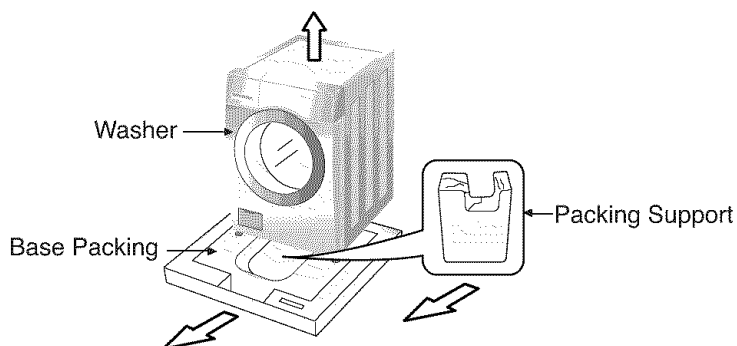
In countries where there are areas which may be subject to infestation by cockroaches or other vermin, pay particular attention to keeping the appliance and its surroundings in clean condition at all times.

Damage caused by cockroaches or other vermin will not be covered by the appliance warranty.

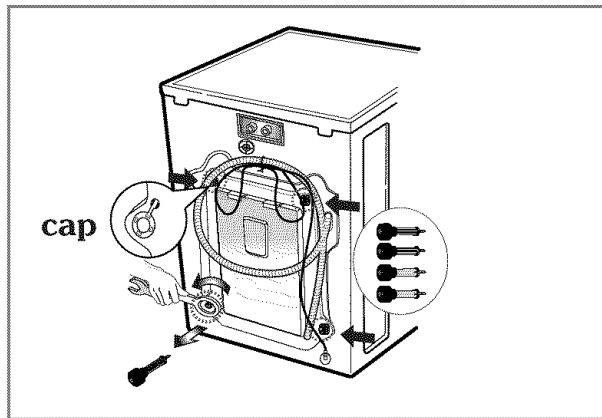
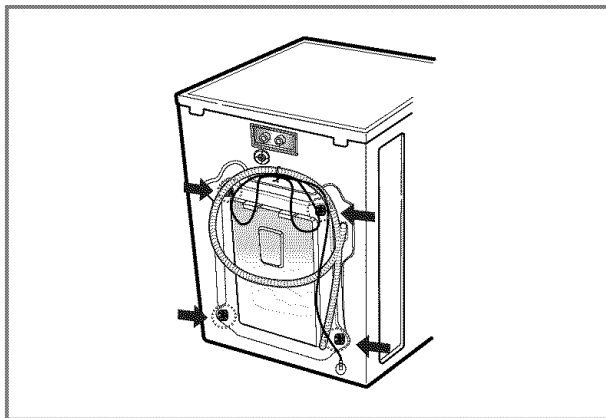
## ■ Shipping bolts

The appliance is fitted with shipping bolts to prevent internal damage during transportation. Packing and all shipping bolts must be removed before using the washer.

- ☞ When unpacking the base, be sure to remove the additional packing support in the middle of the base packing.



## ■ Removing shipping bolts



1. To prevent internal damage during transport, 4 locking bolts are installed. Before operating the washer, remove the bolts and braces.

- If they are not removed, it may cause severe vibration, noise, and malfunction.

2. Unscrew the 4 bolts with the wrench supplied. Do first lower side to remove easily. One of the bolts retains the power cord of the washer to prevent operating without removing bolts.

3. Take out the 4 bolts and braces by twisting the braces slightly. Keep the 4 bolts, braces and the wrench for future use.

- Whenever the appliance is transported, the shipping bolts and braces must be reinstalled.

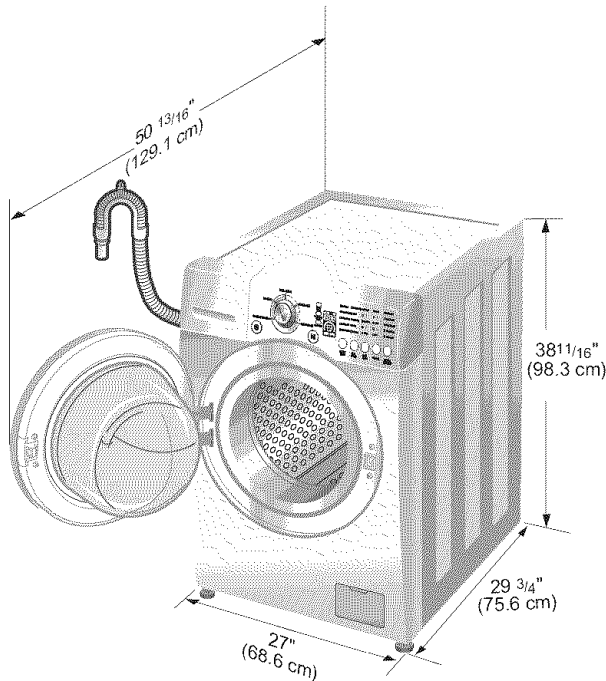
4. Close the holes with the caps supplied.

# INSTALLATION INSTRUCTIONS

## ■ Installation clearances

The location must be large enough to fully open the washer door.

## ■ Washer dimensions



- Most installations require a minimum 4 in. (10 cm) clearance behind the washer.

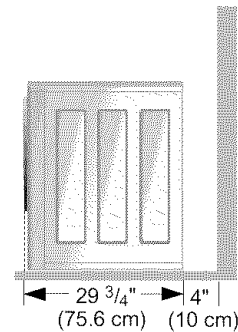
## ■ Minimum installation spacing for recessed area installation.

The following dimensions shown are for the minimum spacing allowed.

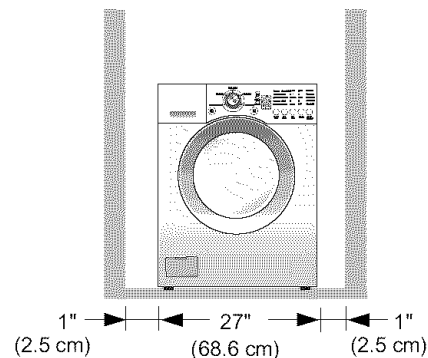
Additional spacing should be considered for installation and servicing.

- Additional clearances might be required for wall, door and floor moldings.
- Additional spacing of 1 in. (2.5 cm) on all sides of the washer is recommended to reduce noise transfer.

Companion appliance spacing should also be considered.



[Side view]



[Front view]

## ■ Level floor

- Allowable slope under entire washer is 1°.
- **To minimize noise and vibration, the washer MUST be installed on a solidly constructed floor.**
- Carpeting and soft tile surfaces are not recommended.
- Never install the washer on a platform or weakly supported structure.

**NOTE: A firm, solid floor is even more critical to a front-loading washer than to a top-loader. If your floor is wood and/or frame construction, you may need to reinforce it. Front-loaders use substantially faster spin speeds than top-loaders, causing greater vibration. If the floor is not solid, your washer will vibrate. You will hear and feel the vibration throughout your house.**

## ■ Power outlet

- Must be within 60 in. (1.5 m) of either side of the washer. Do not overload the outlet with more than one appliance.
- Time-delay fuse or circuit breaker is recommended.

**NOTE: It is the personal responsibility and obligation of the customer to have a proper outlet installed by a qualified electrician.**

# INSTALLATION INSTRUCTIONS

## ■ Electrical connection

- Do not use an extension cord or double adapter.
- If the supply cord is damaged, it must be replaced by a qualified person in order to avoid a hazard.
- If the machine will not be used for an extended time, unplug it and shut off the water supply.
- Connect the machine to a grounded outlet in accordance with current wiring regulations.
- The appliance must be positioned so that the plug is easily accessible.

## ⚠ CAUTION! Concerning the Power Cord

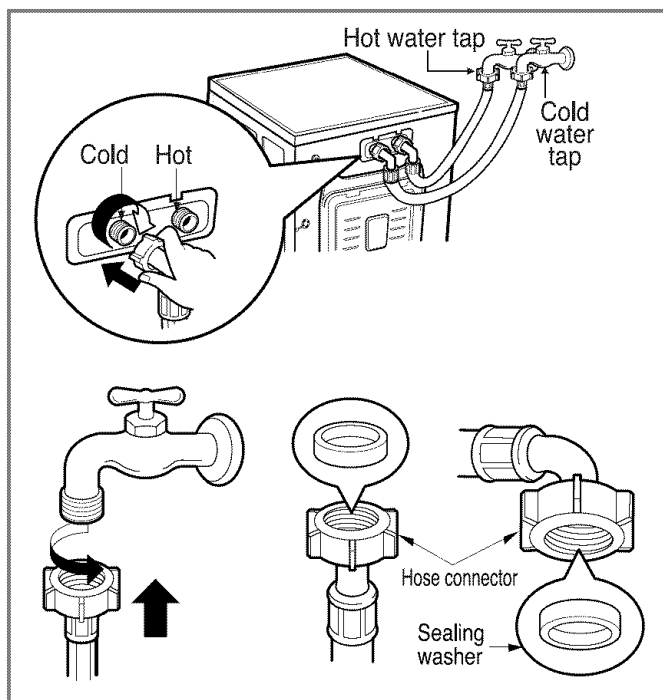
Most appliances recommend they be placed upon a dedicated circuit; that is, a single outlet circuit which powers only that appliance and has no additional outlets or branch circuits. Check the specification page of this owner's manual to be certain.

Do not overload wall outlets. Overloaded wall outlets, loose or damaged wall outlets, extension cords, frayed power cords, or damaged or cracked wire insulation are dangerous. Any of these conditions could result in electric shock or fire.

Periodically examine the cord of your appliance, and if its appearance indicates damage or deterioration, unplug it, discontinue use of the appliance, and have the cord replaced with an exact replacement part by an authorized servicer.

Protect the power cord from physical or mechanical abuse, such as being twisted, kinked, pinched, closed in a door, or walked upon. Pay particular attention to plugs, wall outlets, and the point where the cord exits the appliance.

## ■ Connecting water supply hose



- Water supply pressure must be between 14.5 and 116 psi (100–800 kPa).
- Do not cross-thread when connecting inlet hose to the valve.
- If the water supply pressure is more than 116 psi, a pressure reducing device should be installed.
- Two Sealing washers are supplied with the water inlet hoses to prevent water leaks.
- Check for leakage of washing machine connections by turning the tap completely on.
- Periodically check the condition of the hose and replace the hose if necessary.
- Make sure that there is no kink in the hose and that it is not crushed.
- Be sure that the two water input ports are connected to the correct water faucets. The connector for hot water is colored red.

**NOTE:** Washing Machine is to be connected to the water mains using new hoses. Old hoses should not be used.

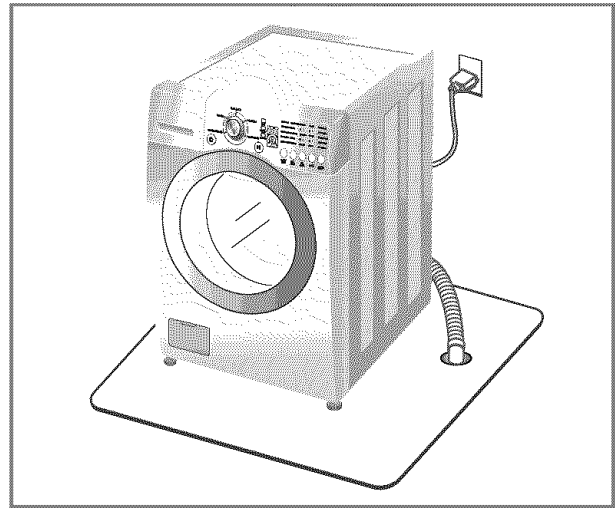
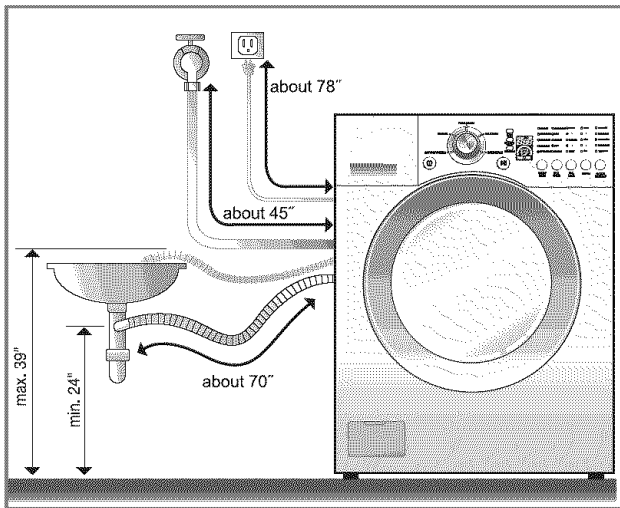
Repairs to the washing machine must only be carried out by qualified personnel. Repairs carried out by inexperienced persons may cause injury or serious malfunctioning. Contact your local service center.

Do not install your washing machine in a room where temperatures below freezing may occur. Frozen hoses may burst under pressure. The reliability of the electronic control unit may be impaired at temperatures below the freezing point.

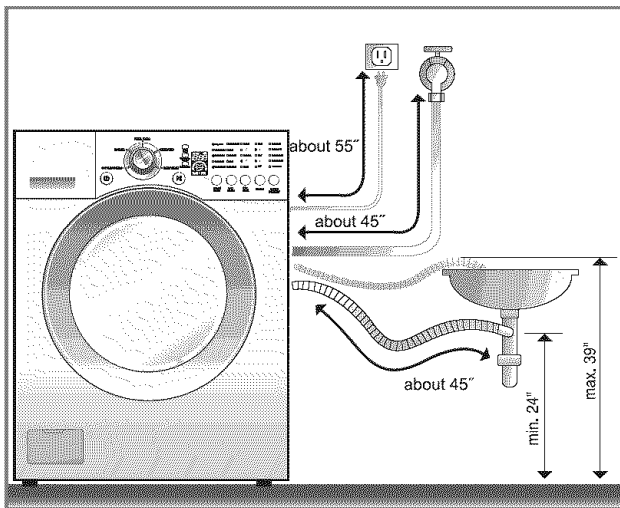
If the appliance is delivered in the winter months and temperatures are below freezing, store the washing machine at room temperature for a few hours before putting it into operation.

# INSTALLATION INSTRUCTIONS

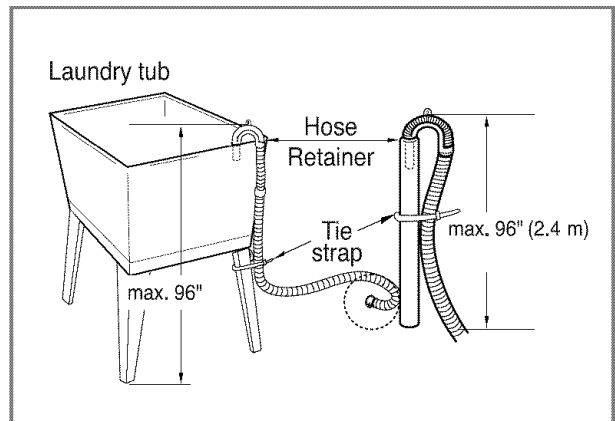
## ■ Installation of drain hose



- Place the end of the drain hose in the hole of the floor drain system.



- The drain hose should not be placed higher than 96 in. from the bottom of the washer.
- Properly securing the drain hose will protect the floor from damage due to water leakage.



- When installing the drain hose at a sink, secure it so it cannot break away and cause flooding and damage.
- Properly securing the drain hose will protect the floor from damage due to water leakage.

**This equipment is not designed for maritime use or for mobile installations such as in RV's, aircraft, etc.**

**Turn off the faucet if the machine is to be left for an extended period of time (e.g. holiday).**

**When disposing of the appliance, cut off the power cable, and destroy the plug.**

**Disable the door lock to prevent young children being trapped inside.**

**Packaging material (e.g. Films, Styrofoam) can be dangerous for children. There is a risk of suffocation! Keep all packaging from children.**



# INSTALLATION INSTRUCTIONS

## ■ Level adjustment

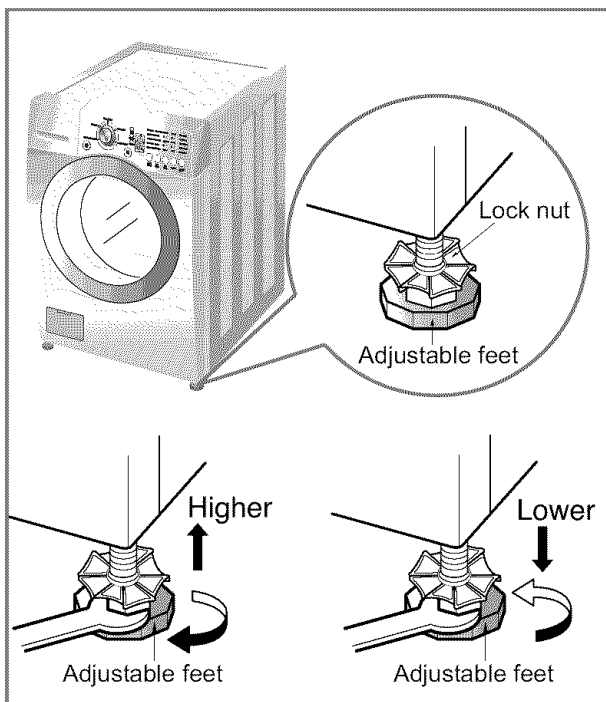


- Leveling the washing machine properly prevents excessive noise and vibration. Install the appliance on a solid and level floor surface, preferably in a corner of the room.
- If the floor is uneven, adjust the adjustable feet as required. (Do not insert pieces of wood, etc. under the feet.)

**NOTE:** Extend the feet no more than necessary to level the washer. The more the feet are extended, the more the washer will vibrate.

- Make sure that all four feet are stable and resting on the floor and then check that the appliance is perfectly level (Use a level).
- After the washer is level, tighten the lock nuts up against of the base of the washer. All lock nuts must be tightened.
- It is critical to adjust the feet perfectly. This must be done while the washer is spinning with a load. Use the wrench (supplied) to adjust the feet until there is no vibration. Then tighten the lock nuts to prevent further adjustment.

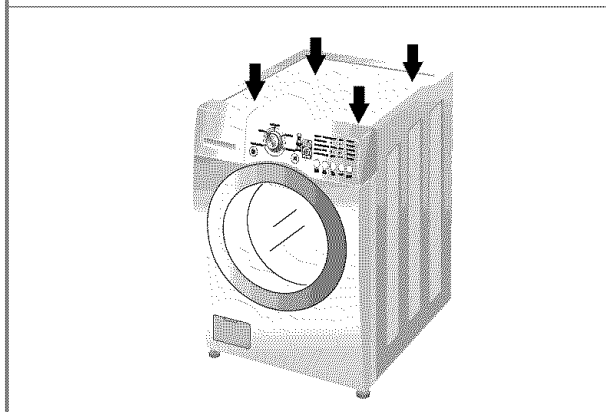
**NOTE:** If there are vibration and noise during the spin cycle, re-check the leveling of the washer, adjust the feet as required, and tighten the lock nuts securely to prevent changes in adjustment. Run the washer with a test load to make certain your washer is properly leveled. Put approximately 6 pounds of laundry in the machine. Then, press **POWER**, **RINSE+SPIN**, and **START/PAUSE**, in that order. When the machine spins at high speed, verify that it is stable. If not, adjust the feet accordingly.



### \* Diagonal Check

When pushing down the edges of the washing machine top plate diagonally, the machine should not move up and down at all. (Please, check both directions.)

If the machine rocks when pushing the machine top plate diagonally, adjust the feet again.



# PREPARATION BEFORE WASHING

## **WARNING**

To reduce the risk of fire, electric shock, or injury to persons, read the **IMPORTANT SAFETY INSTRUCTIONS** before operating this appliance.

### 1. Fabric Care Labels

Look for a care label on your clothes. This will tell you about the fabric content of your garment and how it should be washed.

### 2. Sorting

To get the best results, sort clothes into loads that can be washed with the same wash cycle. Different fabrics need to be washed in different ways.

Always sort dark colors from pale colors and whites. Wash separately as dye and lint transfer can occur causing discoloration of white clothing. If possible, do not wash heavily soiled items with lightly soiled ones.

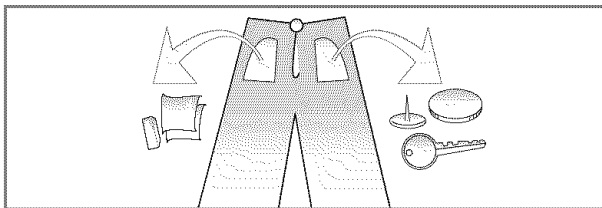
Soil (Heavy, Normal, Light)	Separate clothes according to amount of soil.
Color (White, Lights, Dark)	Separate white fabrics from colored fabrics.
Lint (Lint Producers, Collectors)	Wash lint producers and lint collectors separately.

### 3. Check before loading

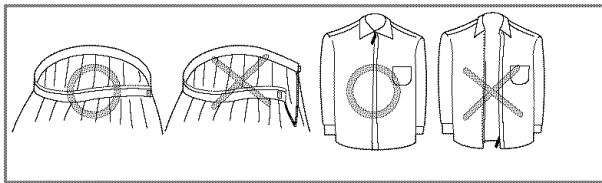
Combine large and small items in a load. Load large items first.

Large items should not be more than half the total wash load.

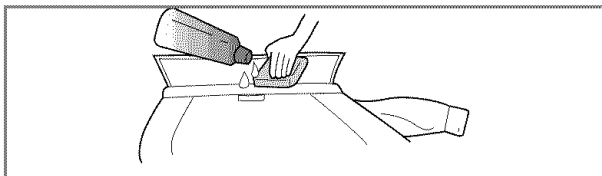
Do not wash single items. This may cause an out-of-balance load. Add one or two similar items.



- Check all the pockets to make sure that they are empty. Things such as clip, matches, pens, coins, and keys can damage both your washer and your clothes.



- Close zippers, hooks, and strings to make sure that these items do not snag on other clothes.



- Pretreat dirt and stains by brushing a little detergent dissolved in water onto stains like collars and cuffs to help lift dirt.

**NOTE:** Do not wash or spin water-proof clothes.

# USING THE DISPENSER

The automatic dispenser consists of four compartments which hold 1) liquid chlorine bleach, 2) liquid fabric softener, 3) liquid or powdered detergent for prewash and 4) liquid or powdered detergent and color safe bleach for main wash.

All laundry products can be added at once in their respective dispenser compartments.

They will be dispensed at the appropriate time for most effective cleaning. After loading the laundry additives into the dispenser, close the dispenser drawer.

**Add detergent, bleach and fabric softener to the automatic dispenser following these steps:**

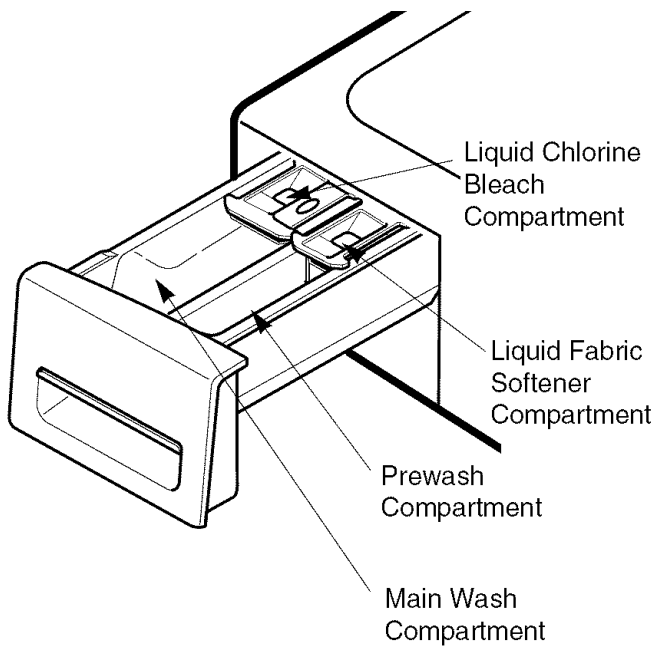
1. Open the dispenser drawer.
2. Load the laundry products into the appropriate compartments.
3. Close the dispenser drawer.

## ■ About detergent



Designed specially to use only  
HE(High Efficiency) detergent

Your LG TROMM washer is designed to use only High Efficiency (HE) detergents. HE detergents are formulated specifically for front load washers and contain suds reducing components. HE detergents make less suds, improve washing and rinsing performance, and help to keep the interior of your LG TROMM washer clean. Use the manufacture's recommend amount. If a regular detergent is used, it may cause oversudsing and unsatisfactory performance. For the best washing and rinsing performance, low-sudsing HE detergents are strongly recommended.



## 1. Prewash Detergent Compartment

- Add detergent to this compartment when using the Prewash option. Liquid or powdered detergent may be used in this compartment. The detergent will automatically be dispensed during Prewash if the Prewash option is selected.
- Add 1/2 the recommended amount of detergent to the Prewash compartment and the recommended amount of detergent to the main wash compartment.

**NOTE :** Liquid detergent will drain into the washer drum as it is added.

# USING THE DISPENSER

---

## 2. Main Wash Detergent Compartment

---

- Add measured detergent to this compartment for Main wash. Detergent is flushed from the dispenser at the beginning of the cycle. Either powdered or liquid detergent can be used.
- Liquid or powdered color-safe bleach may be added to the main wash compartment along with the same type of liquid or powdered detergent.

**NOTE: If you are using the Prewash option, powdered detergent must be used in the main wash compartment. Liquid detergent will drain into the washer drum as it is added.**



Designed specially to use only HE(High Efficiency) detergent

---

## 3. Liquid Bleach Compartment

---

- Add measured liquid chlorine bleach to this compartment. The bleach will be automatically dispensed at the proper time during the wash cycle.
- Do not exceed the maximum fill line. Overfilling can cause early dispensing of the bleach which could result in damaged clothes.
- Do not pour undiluted liquid chlorine bleach directly onto the load or into the drum. Fabric damage can occur.
- Do not use powdered bleach in this compartment.

---

## 4. Fabric Softener Compartment

---

- Add recommended amount of fabric softener to this compartment.
- Dilute concentrated softeners with warm water to the fill line.
- Do not exceed the maximum fill line. Overfilling can cause early dispensing of the fabric softener which could result in stained clothes.
- Do not pour fabric softener directly on the wash load.
- The fabric softener will be automatically dispensed during the last rinse cycle.

**NOTE: Do not place, store, or spill laundry products (soap, detergent, bleach, softener, etc.) on the top of your washer or dryer. These products can damage the finish or controls if left there too long.**

# CYCLES

- Select cycles designed for different types of fabric and soil levels.

Cycle	Fabric type	Wash/Rinse Temp.	Spin speed	Soil Level	Pre-Wash	Quick Cycle	Extra Rinse	Rinse+ Spin	Stain Cycle	Water Plus
Cotton/ Towels	Cotton, linen, towels, shirts, sheets	Warm/Cold	Extra High	Normal	○	○	○	○	○	○
		Warm/Warm Hot/Cold Tap Cold/Cold Cold/Cold	No Spin Low Medium High	Heavy Light						
Normal	Mixed loads, work clothes, jeans, shirts	Warm/Cold	High	Normal	○	○	○	○	○	○
		Warm/Warm Hot/Cold Tap Cold/Cold Cold/Cold	Extra High No Spin Low Medium	Heavy Light						
Perm Press	Dress shirts/ pants, wrinkle free clothing, poly/ cotton blend clothing, table cloths	Warm/Cold	Medium	Normal	○	○	○	○	○	○
		Warm/Warm Hot/Cold Tap Cold/Cold Cold/Cold	High No Spin Low	Heavy Light						
Delicates	Dress shirts/ blouses, nylons, sheer or lacy garment	Cold/Cold	Medium	Normal	○	○	○	○		○
		Warm/Cold Warm/Warm Tap Cold/Cold	No Spin Low	Heavy Light						
Hand Wash	Items labeled "hand washable"	Cold/Cold	Low	Normal		○	○	○		○
		Warm/Cold Warm/Warm Tap Cold/Cold	Medium No Spin	Light						

# HOW TO USE THE WASHER



## 1. Power

- Use this button to turn the Power **On/Off**.

## 2. Cycles

- Rotate the **Cycle selector knob** to select cycle designed for different types of fabric and soil levels.
- Each cycle has a preset Water Temperature, Spin Speed, Soil Level, and Option (See page 13).
- The preset settings can be changed anytime before Start.

**NOTE:** This front load washer requires longer cycle time and gets clothes much cleaner, yet is more gentle on the fabrics, than top load washers. Washing time can be reduced significantly for small loads or lightly soiled loads by selecting Speed Wash cycle and setting the Soil Level button at Light.

## 3. Start/Pause

- Use this button to **start/stop** the washer.

**NOTE:** If you do not press the **Start/Pause** button within 4 minutes of selecting a cycle, the washer automatically turns off.

## 4. Delay Wash

- Allows the start of any cycle to be delayed for 1~12 hours.
- Choose the wash cycle for your load, and then press the Delay Wash button once for one hour or press the button again to increase the delay wash time up to 12 hours in one hour increments.

## 5. Water Plus

- Adds extra water to the wash and rinse cycles for superior results.

## 6. SPINSENSE™

- SPINSENSE™ can be used when there is a vibration problem, especially on wood floor installations.
- To operate SPINSENSE™ press and hold the Water Plus button for 3 seconds when the washing machine is running on any cycle.
- When SPINSENSE™ has been selected, the Spin Speed button light will blink on and off continually to indicate that the SPINSENSE™ function has been selected.
- Push and hold the Water Plus button again for 3 seconds to cancel SPINSENSE™.
- Once SPINSENSE™ has been selected, it will continue to function even if interrupted by a power failure.
- 'SPINSENSE' option cannot be selected during the spinning cycle.

## 7. Extra Rinse

- This option provides an additional rinse.
- Use this option to ensure the removal of detergent or bleach residue from garments.

# HOW TO USE THE WASHER

## 8. Wash/Rinse Temperature

- Select a water temperature based on the type of load you are washing.
- Follow the fabric care label and chart below for best results.

Suggested Wash Temp.	Garment
Hot 122°F (50°C)	Whites and Heavy soiled color-fast items
Warm 104°F (40°C)	Most loads
Cold 77°F (25°C)	Brightly colored items, washable woolens

- Warm rinses leave the loads dryer than cold rinses. Warm rinses increase wrinkling.
- In cold climates, a warm rinse makes the load more comfortable to handle.
- Cold rinses save energy.
- The Cold rinse temperatures depend on the cold water at your faucet.
- Warm rinses are regulated at approximately 86°F (30°C).
- For the Tap Cold/Cold setting, both wash and rinse temperatures depend on the cold water at your faucet.

## 9. Spin speed

- To change the spin speed, press the Spin Speed button repeatedly to cycle through available options.
- To start Drain/Spin cycle:
  1. Press Power (⏻) button to turn on.
  2. Press Spin Speed button only.
  3. Press Start/Pause (⏸) button.

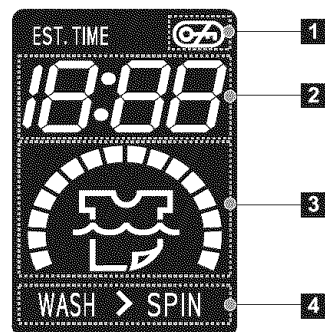
## 10. Soil Level

- To change the soil level, press the **Soil Level** button repeatedly until the desired setting is on.

## 11. Beeper

- Press repeatedly to adjust the volume of the Beeper.

## LED DISPLAY



### 1. DOOR LOCK INDICATOR

Indicates that the door is locked. The washer door will lock while the washer is operating. The door can be unlocked by pressing the START/PAUSE button to stop the washer.

### 2. ESTIMATED TIME REMAINING

When the START/PAUSE button is pressed, the washer automatically detects the wash load (weight) and optimizes the washing time, based on the selected cycle and options. The display will then indicate the estimated time remaining for the selected wash cycle.

**NOTE:** The cycle time displayed may appear much longer than that of a top-loading washer. The displayed time is for the complete cycle, rather than just the agitation portion of the cycle, as is typically shown on a top-loading washer.

### 3. CYCLE COMPLETION INDICATOR

Shows how much of the current wash cycle has been completed.

### 4. STATUS/CYCLE DISPLAY

This portion of the display shows the selected cycle, operating status, and special messages. If a cycle has special instructions, they will also be displayed in this area.

# HOW TO USE THE WASHER

## OPTION

### 1. Prewash

- Use this option for loads that need pretreatment. Adds 16 minutes prewash and drain.

### 2. Rinse+Spin

- Use this option to rinse and then spin.

### 3. Quick Cycle

- The Quick Cycle offers a quick cycle time.
- Suggested uses include freshening newly purchased clothes, or clothing that has been packed away.

### 4. Stain cycle

- Adds time to the wash and rinse for better stain removal.
- Automatically provides a rinse.

### 5. Tub Clean

1. Remove any clothing or items from the washer and close the door.
2. Open the dispenser drawer and add liquid chlorine bleach to the bleach compartment.

**NOTE: Do not add any detergent to the detergent compartments. Excessive suds may be produced and leak from the washer.**

3. Close the dispenser drawer slowly.
4. Power on the machine, press the “option” and then select the “Tub Clean”.
5. Press the **Start/Pause** button to start.
6. After the cycle is complete, leave the door open to dry around the washer door opening, door seal and door glass.

**⚠ CAUTION:** If there are small children in the house, care must be taken so that they can not climb into or play inside the washer while it is open for drying.

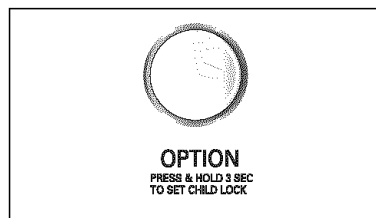
## EST. TIME REMAINING

- This display shows:
  - a) the estimated time remaining in the cycle when operating,
  - b) the error code when an error has been detected.

## STATUS INDICATOR

- These lights show which portion of the cycle the washer is operating. (See page 15)

## CHILD LOCK



- Use this option to prevent unwanted use of the washer. Press and hold OPTION button for 3 seconds to lock/unlock control.
- When Child lock is set, [L] blinks and all buttons are disabled except the Power (Ⓞ) button. You can lock the washer while it is operating.

## DOOR LOCKED

- Lights whenever the door of the washer is locked.
- The door can be unlocked by pressing the Start/Pause (Ⓜ) button to stop the washer.

**NOTE: If the water temperature or the level is too high, the door cannot be unlocked. Do not try to force the door open when DOOR LOCKED lights on.**

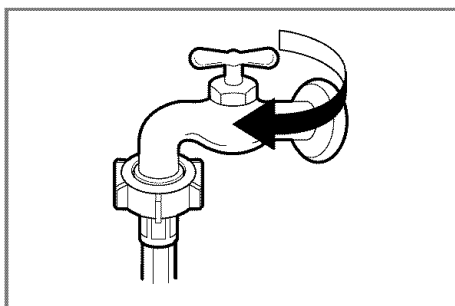


# MAINTENANCE

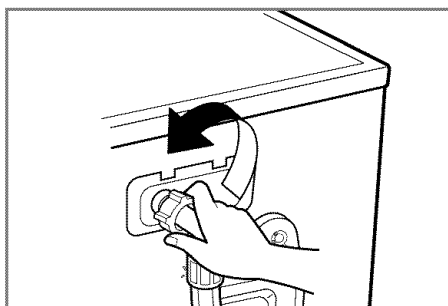
Before cleaning the washer interior, unplug the electrical power cord to avoid electrical shock hazards. When disposing of the appliance, cut off the power cable, destroy the plug, and disable the door lock to prevent young children from being trapped inside.

## ■ The water inlet filter

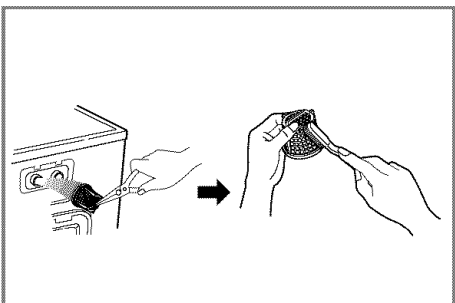
- "iE" error message will blink on the control panel when water does not enter the dispenser.
- If your water is very hard or contains traces of lime deposit, the water inlet filter may become clogged. We recommend cleaning it every few months.



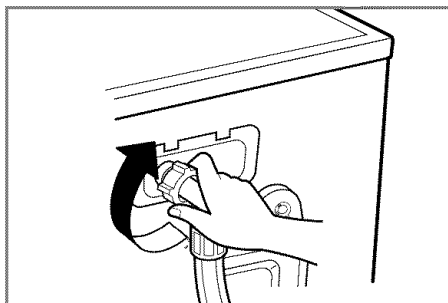
1. Turn off the water tap.



2. Unscrew the water inlet hose.



3. Clean the filter using a hard bristle brush.



4. Tighten the inlet hose.

## ■ The drain pump filter

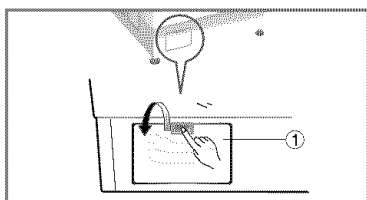
- The drain filter collects threads and small objects left in the laundry. Check regularly that the filter is clean to ensure smooth running of your machine.

## ⚠ CAUTION

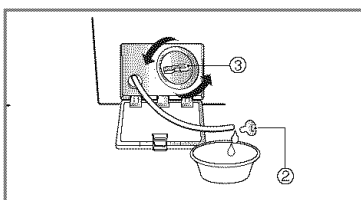
Drain, using the drain hose, before opening the pump filter to remove objects. Be careful when draining if the water is hot.

- Allow the water to cool down before cleaning the drain pump filter.

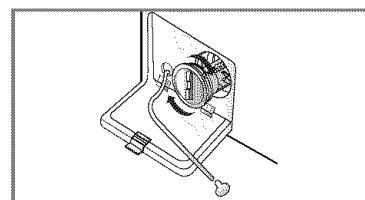
1. Open the lower cover cap (①). Turn the drain plug (②) to pull out the hose.



2. Unplug the drain plug (②), allowing the water to flow out. At this time use a vessel to prevent water from flowing onto the floor. When water does not flow any more, turn the pump filter (③) open to the left.



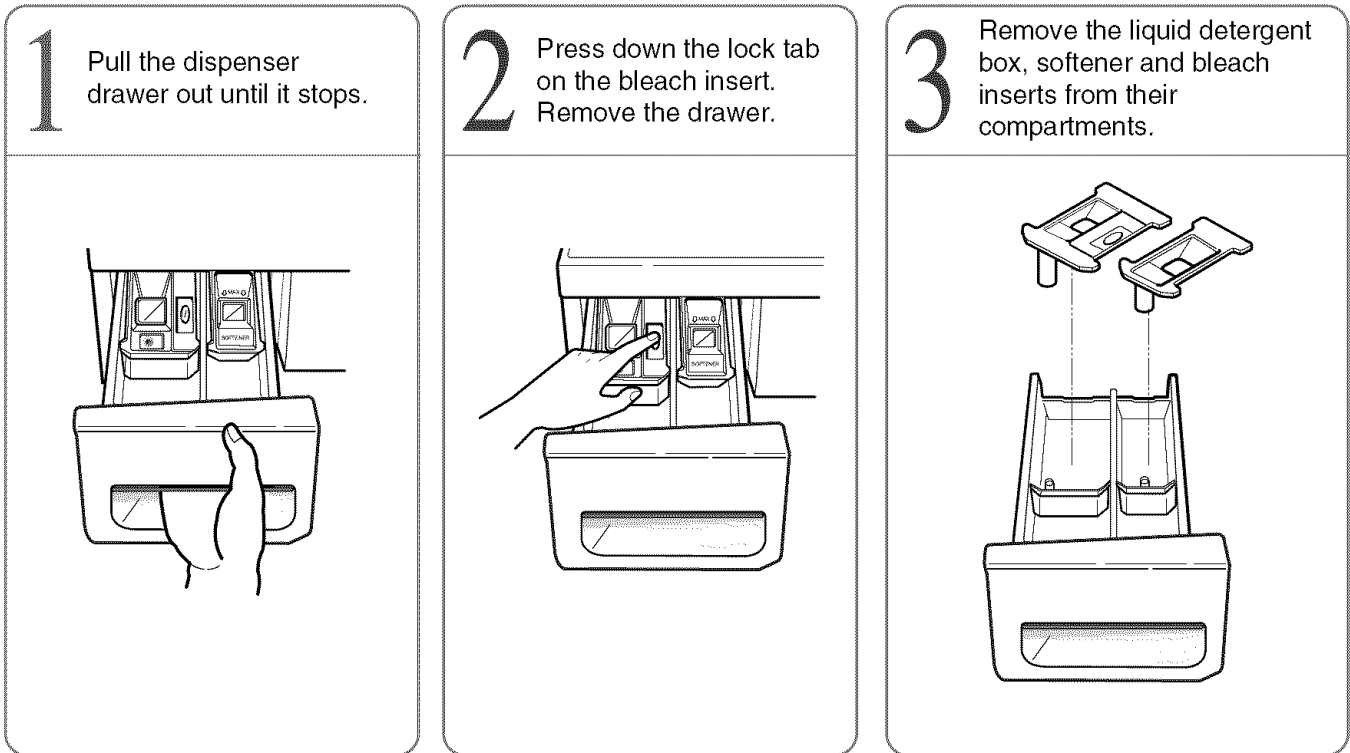
3. Remove any foreign objects from the pump filter (③). After cleaning, turn the pump filter (③) clockwise and insert the drain plug (②) to the original place. Close the lower cover cap (①).



# MAINTENANCE

## ■ Cleaning the Dispenser

- The dispenser may need to be cleaned periodically due to laundry additive build-up.



- Run warm water and use a soft brush or cloth on the drawer, liquid detergent box and inserts to remove any excess laundry additives.
- Clean the drawer opening using water and a small brush.
- Follow the illustrations in reverse order to replace the parts to their proper location.

**NOTE: Do not use any cleaning substance on the drawer opening other than water because it will drain into the tub. If this should happen, set the washer for a rinse and spin cycle to remove any cleaning substance from the washer before doing a load of laundry.**

## ■ The washing drum

- If you live in a hard water area, lime scale can continuously build up in places where it cannot be seen and it is not easily removed from the drum. Over time the build-up of scale clogs appliances, and if it is not kept in check, these will eventually have to be replaced.
- Although the washing drum is made of Stainless steel, specks of rust can be caused by small metal articles (paper clips, safety pins, etc.) which have been left in the drum.
- The washing drum should be cleaned from time to time.
- If you use descaling agents, dyes, or bleaches, make sure they are suitable for washing machine use.
- Descaler could contain components that can damage part of your washing machine.
- Remove the spots with a stainless steel cleaning agent.
- Never use steel wool.

## ■ Cleaning your washer

### 1. Exterior

Proper care of your washer can extend its life.

The outside of the machine can be cleaned with warm water and a neutral, non-abrasive household detergent.

Immediately wipe off any spills. Wipe with a damp cloth.

Try not to damage the surface with sharp objects.

\* **IMPORTANT:** Do not use methylated spirit, solvents or similar products.

### 2. Interior

Dry around the washer door opening, flexible gasket and door glass. These areas should always be clean to ensure a water-tight seal.

Run washer through a complete cycle using hot water.

Repeat process if necessary.

#### • To start the TUB CLEAN cycle:

1. Remove any clothing or items from the washer and close the door.

2. Open the dispenser drawer and add liquid chlorine bleach to the bleach compartment.

**NOTE: Do not add any detergent to the detergent compartments. Excessive suds may be produced and leak from the washer.**

3. Close the dispenser drawer slowly.

4. Power on the machine, press the “option” and then select the “Tub Clean”.

5. Press the **Start/Pause** button to start.

6. After the cycle is complete, leave the door open to dry around the washer door opening, door seal and door glass.

**⚠ CAUTION:** If there are small children in the house, care must be taken so that they can not climb into or play inside the washer while it is open for drying.

**NOTE: Remove hard water deposits using only cleaners labeled as safe for washing machines.**

## ■ Winterizing instructions

If the washer is stored in an area where freezing can occur or moved in freezing temperatures, follow these winterizing instructions to prevent damage to the washer:

1. Turn off water supply tap.

2. Disconnect hoses from water supply and drain water from hoses.

3. Plug electrical cord into a properly grounded electrical outlet.

4. Add 1 gallon (3.8 ℓ ) nontoxic recreational vehicle (RV) antifreeze to empty wash drum. Close door.

5. Set spin cycle and let washer spin for 1 minute to drain out all the water.

Not all of the RV antifreeze will be expelled.

6. Unplug electrical power cord, dry drum interior, and close door.

7. Remove the two-compartment container from the Dispenser. Drain any water in compartments and dry the compartments.


8. Store washer in an upright position.

9. To remove antifreeze from washer after storage, run empty washer through a complete cycle using detergent.

**Do not add laundry.**

# TROUBLESHOOTING GUIDE

\* This washing machine is equipped with automatic safety functions which detect and diagnose problems at an early stage and react appropriately. When the machine does not function properly or does not function at all, check the following points before you call the Service Department.

Problem	Possible Cause	Solution
Rattling and clanking noise	<ul style="list-style-type: none"> <li>Foreign objects such as coins or safety pins may be in drum or pump.</li> </ul>	<p>Stop washer and check drum and drain filter.</p> <p>If noise continues after washer is restarted, call for service.</p>
Thumping sound	<ul style="list-style-type: none"> <li>Heavy wash loads may produce a thumping sound. This is normal.</li> </ul>	<p>If sound continues, washer is probably out of balance. Stop and redistribute wash load.</p>
Vibrating noise	<ul style="list-style-type: none"> <li>Have all the transit bolts and packing been removed?</li> <li>Wash load may be unevenly distributed in the drum.</li> <li>Are all the feet resting firmly on the ground?</li> </ul>	<p>See Installation Instructions for removing shipping bolts.</p> <p>Stop washer and rearrange wash load.</p> <p>Adjust the leveling feet.</p> <p>Make sure all four feet are in firm contact with the floor, while the washer is in the spin cycle with load.</p>
Water leaks	<ul style="list-style-type: none"> <li>Fill hose connection is loose at tap or washer.</li> <li>House drain pipes are clogged.</li> </ul>	<p>Check and tighten hose connections.</p> <p>Unclog drain pipe. Contact plumber if necessary.</p>
Excessive suds	<ul style="list-style-type: none"> <li>Too much detergent or unsuitable detergent.</li> </ul>	<p>Reduce detergent amount or use HE (High Efficiency) detergent.</p> <div style="text-align: right;">  <p><b>Designed specially to use only HE(High Efficiency) detergent</b></p> </div>

# TROUBLESHOOTING GUIDE

Problem	Possible Cause	Solution
<p>Water does not enter washer or it enters slowly</p> <p>Water in the washer does not drain or drains slowly</p>	<ul style="list-style-type: none"> <li>• Water supply is not adequate in area.</li> <li>• Water supply tap is not completely open.</li> <li>• Water inlet hose is bent.</li> <li>• The filter of the inlet hose clogged.</li> <li>• Drain hose is bent or clogged.</li> <li>• The drain filter is clogged.</li> </ul>	<p>Check another tap in the house.</p> <p>Fully open tap.</p> <p>Straighten hose.</p> <p>Check the filter of the inlet hose.</p> <p>Clean and straighten the drain hose.</p> <p>Clean the drain filter.</p>
<p>Washer does not start</p> <p>Washer won't spin</p>	<ul style="list-style-type: none"> <li>• Electrical power cord may not be plugged in or connection may be loose.</li> <li>• House fuse is blown, circuit breaker tripped, or a power outage has occurred.</li> <li>• Water supply tap is not turned on.</li> <li>• Check that the door is firmly shut.</li> </ul>	<p>Make sure plug fits tightly in wall outlet.</p> <p>Reset circuit breaker or replace fuse. Do not increase fuse capacity. If problem is a circuit overload, have it corrected by a qualified electrician.</p> <p>Turn on water supply tap.</p> <p>Close the door and press the Start/Pause button. After pressing the Start/Pause button, it may take a few moments before the clothes washer begins to spin. The door must lock before spin can be achieved.</p>
<p>Wash cycle time delayed</p>	<ul style="list-style-type: none"> <li>• The washing time may vary by the amount of laundry, water pressure, water temperature, and other using conditions.</li> </ul>	<p>If the imbalance is detected or if the suds removing program operates, the wash time shall be increased.</p>

# TROUBLESHOOTING GUIDE

Problem	Possible Cause	Solution
<b>IE</b>	<ul style="list-style-type: none"> <li>• Water supply is not adequate in area.</li> <li>• Water supply taps are not completely open.</li> <li>• Water inlet hose is bent.</li> <li>• The filter of the inlet hose clogged.</li> </ul>	<p>Check another tap in the house.</p> <p>Fully open tap.</p> <p>Straighten hose.</p> <p>Check the filter of the inlet hose.</p>
<b>DE</b>	<ul style="list-style-type: none"> <li>• Drain hose is bent or clogged.</li> <li>• The drain filter is clogged.</li> </ul>	<p>Clean and straighten the drain hose.</p> <p>Clean the drain filter.</p>
<b>UE</b>	<ul style="list-style-type: none"> <li>• Load is too small.</li> <li>• Load is out of balance.</li> <li>• The appliance has an imbalance detection and correction system. If individual heavy articles are loaded (bath mat, bath robe, etc.) and the imbalance is too great, after several attempts to restart the spin cycle the machine will stop and the error code will be displayed.</li> </ul>	<p>Add 1 or 2 similar items to help balance the load.</p> <p>Rearrange load to allow proper spinning.</p>
<b>dE</b>	<ul style="list-style-type: none"> <li>• Is the door opened or not completely closed?</li> </ul>	<p>Close the door completely.</p> <p>* If it is not released, call for service.</p>
<b>tE</b>		<p>Unplug the power plug and call for service.</p>
<b>FE</b>	<ul style="list-style-type: none"> <li>• The water overfills due to the faulty water valve.</li> </ul>	<p>Close the water tap.</p> <p>Unplug the power plug.</p> <p>Call for service.</p>
<b>PE</b>	<ul style="list-style-type: none"> <li>• The water level sensor malfunction.</li> </ul>	
<b>LE</b>	<ul style="list-style-type: none"> <li>• Overload in motor.</li> </ul>	<p>Restart the cycle after 30 minutes. If LE is not released, call for service.</p>
<b>PF</b>	<ul style="list-style-type: none"> <li>• The washer experienced a power failure.</li> </ul>	<p>Restart the cycle.</p>

**LG ELECTRONICS, INC.**  
**LG Washing Machine Limited Warranty - USA**



Your LG Washing Machine will be repaired or replaced, at LG's option, if it proves to be defective in material or workmanship under normal use, during the warranty period ("Warranty Period") set forth below, effective from the date ("Date of Purchase") of original consumer purchase of the product. This warranty is good only to the original purchaser of the product and effective only when used in the United States, including Alaska, Hawaii, and U.S. Territories.

<p><b><u>WARRANTY PERIOD:</u></b></p> <p><b>LABOR: One Year</b> from the Date of Purchase.</p> <p><b>PARTS (except as listed below): One Year</b> from the Date of Purchase.</p> <p><b>Electronic Control Board: 2 Years</b> from the Date of Purchase.</p> <p><b>Drum Motor: 7 Years</b> from the Date of Purchase.</p> <p><b>Stainless Steel Drum: Lifetime</b></p> <p>Replacement Units and Repair Parts may be new or factory remanufactured.</p> <p>Replacement Units and Repair Parts are warranted for the remaining portion of the original unit's warranty period.</p>	<p><b><u>HOW SERVICE IS HANDLED:</u></b></p> <p><b>In-Home Service:</b> Please retain dealer's dated bill of sale or delivery ticket as evidence of the Date of Purchase for proof of warranty, and submit a copy of the bill of sale to the service person at the time warranty service is provided.</p> <p><b>Please call 1-800-243-0000 and choose the appropriate option to locate your nearest LG Authorized Service Center.</b></p> <p>Or visit our website at: <a href="http://www.lgservice.com">http://www.lgservice.com</a></p>
---	---

**THIS WARRANTY IS IN LIEU OF ANY OTHER WARRANTY, EXPRESS OR IMPLIED, INCLUDING WITHOUT LIMITATION, ANY WARRANTY OF MERCHANTABILITY OR FITNESS FOR A PARTICULAR PURPOSE. TO THE EXTENT ANY IMPLIED WARRANTY IS REQUIRED BY LAW, IT IS LIMITED IN DURATION TO THE EXPRESS WARRANTY PERIOD ABOVE. NEITHER THE MANUFACTURER NOR ITS U.S. DISTRIBUTOR SHALL BE LIABLE FOR ANY INCIDENTAL, CONSEQUENTIAL, INDIRECT, SPECIAL, OR PUNITIVE DAMAGES OF ANY NATURE, INCLUDING WITHOUT LIMITATION, LOST REVENUES OR PROFITS, OR ANY OTHER DAMAGE WHETHER BASED IN CONTRACT, TORT, OR OTHERWISE.** Some states do not allow the exclusion or limitation of incidental or consequential damages or limitations on how long an implied warranty lasts, so the above exclusion or limitation may not apply to you. This warranty gives you specific legal rights and you may also have other rights that vary from state to state.

**THIS LIMITED WARRANTY DOES NOT APPLY TO:**

- Service trips to your home to deliver, pick up, and/or install the product, instruct, or replace house fuses or correct wiring, or correction of unauthorized repairs.
- Damages or operating problems that result from misuse, abuse, operation outside environmental specifications or contrary to the requirements of precautions in the Operating Guide, accident, vermin, fire, flood, improper installation, acts of God, unauthorized modification or alteration, incorrect electrical current or voltage, or commercial use, or use for other than intended purpose.

The cost of repair or replacement under these excluded circumstances shall be borne by the consumer.

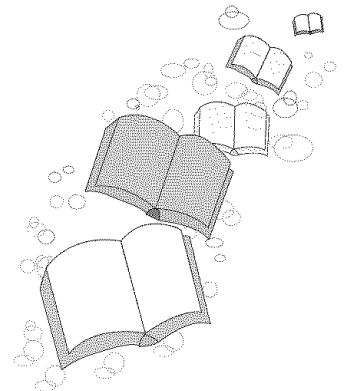
**CUSTOMER INTERACTIVE CENTER NUMBERS**

<p><b>To obtain Customer Assistance, Product Information, or Dealer or Authorized Service Center location:</b></p>	<p><b>Call 1-800-243-0000</b> (24 hours a day, 365 days per year) and select the appropriate option from the menu.  <b>Or visit our website at: <a href="http://www.lgservice.com">http://www.lgservice.com</a></b></p>
--	---

**TO CONTACT LG ELECTRONICS BY MAIL:**

LG Customer Interactive Center  
P. O. Box 240007  
201 James Record Road  
Huntsville, Alabama 35824  
ATTN: CIC

# NOTES







**☎ 1-800-243-0000**

para el Servicio LG (Atención al Cliente) 24 horas al día, 7 días a la semana

# MANUAL DEL PROPIETARIO

## Lavadora

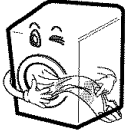
### WM2016CW

Lea este manual cuidadosamente. Le proveerá instrucciones para una instalación, uso y mantenimiento seguros. Consérvelo para futuras referencias. Cite esta información a su proveedor si requiere de servicio.

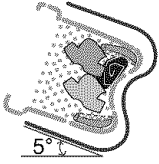


Diseñada especialmente para utilizar  
solamente detergente HE (Alta eficiencia)

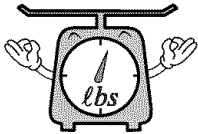
# CARACTERÍSTICAS DEL PRODUCTO



- **Sistema DD Invertidor.**  
El avanzado motor de DC sin cepillo que mueve directamente el cilindro sin cinturón ni polea.



- **Cilindro Inclinado y Abertura Extra Grande.**  
El cilindro inclinado y la abertura extra grande, hacen más fácil la carga y descarga.



- **Detección de la carga de lavado automático**  
Automáticamente detecta la carga y optimiza el tiempo de lavado.



- **Seguro de Niños.**  
El seguro de niños previene que los niños presionen los botones y cambien la configuración durante la operación.



- **LA PANTALLA DE LED**  
La pantalla LED los ajustes, el tiempo restante estimado, las opciones y los mensajes de estado correspondientes a su lavadora. Cuando se enciende la lavadora, se iluminará la luz de la pantalla.

# CONTENIDO

Información Importante de Seguridad .....	27
Especificaciones .....	28
Instrucciones de Instalación .....	29
Preparación Antes de Lavar .....	34
Usando el Distribuidor .....	35
Ciclos .....	37
Como Usar la Lavadora .....	38
Mantenimiento .....	41
Guía para la Detección de Problemas .....	44
Garantía .....	47

# INFORMACIÓN IMPORTANTE DE SEGURIDAD

## LEA TODAS LAS INSTRUCCIONES ANTES DE USARLA.

### **▲ ADVERTENCIA!**

*Para su seguridad, la información en este manual debe ser seguida para minimizar el riesgo de incendio ó explosión, descarga eléctrica, ó para prevenir daños a su propiedad, a su persona ó pérdida de la vida.*

### **Información Importante de Seguridad**

**▲ ADVERTENCIA:** Para reducir el riesgo de incendio, descarga eléctrica, ó heridas, al usar la lavadora, siga las precauciones básicas incluyendo las siguientes:

- Lea todas las instrucciones antes de usar la lavadora.
- No lave artículos que hayan sido previamente limpiados con, lavados con, mojados con, ó manchados con gasolina, solventes para lavado en seco, u otra sustancia inflamable ó explosiva, ya que estas despiden vapores que pueden incendiarse ó explotar.
- No agregue gasolina, solventes para lavado en seco ó cualquier otra sustancia inflamable ó explosiva al agua de lavado. Estas sustancias despiden vapores que pueden incendiarse ó explotar.
- Bajo ciertas condiciones, se puede producir gas de hidrógeno en sistemas de agua caliente que no han sido usados por 2 semanas ó mas. **EL GAS DE HIDRÓGENO ES EXPLOSIVO.** Si el sistema de agua caliente no ha sido usado por 2 semanas ó mas, antes de usar la lavadora, abra todas las llaves del agua caliente y deje el agua correr por algunos minutos. Esto liberará cualquier rastro de gas de hidrógeno acumulado. Como el gas es inflamable, no fume ó use ninguna flama abierta durante este tiempo.
- No permita que los niños jueguen sobre ó dentro de la lavadora. Deberá cuidar de cerca a los niños cuando la lavadora sea usada cerca de ellos.
- Antes de retirar la lavadora para servicio ó desecharla, retire la puerta para prevenir que los niños se escondan dentro.
- No instale ó almacene la lavadora donde esté expuesta a la intemperie.
- No estropee los controles.
- No intente reparar ni reemplazar ninguna parte de la lavadora ni intente dar servicio a menos que sea recomendado específicamente en las instrucciones de mantenimiento del usuario ó publicado en las instrucciones de reparación para el usuario que usted entienda y tenga la habilidad de llevar a cabo.
- Vea las instrucciones de instalación para los requerimientos de conexión a tierra.
- SIEMPRE siga las instrucciones de cuidado de la tela provistas por el fabricante de la prenda.
- No coloque artículos manchados de aceite de cocina en su lavadora. Los artículos contaminados con aceite de cocina pueden contribuir a una reacción química que provoque el incendio de una carga.
- No use suavizantes de telas ni productos eliminadores de estática a menos que sea recomendado por el fabricante del suavizante de telas ó el producto.

## **GUARDE ESTAS INSTRUCCIONES**

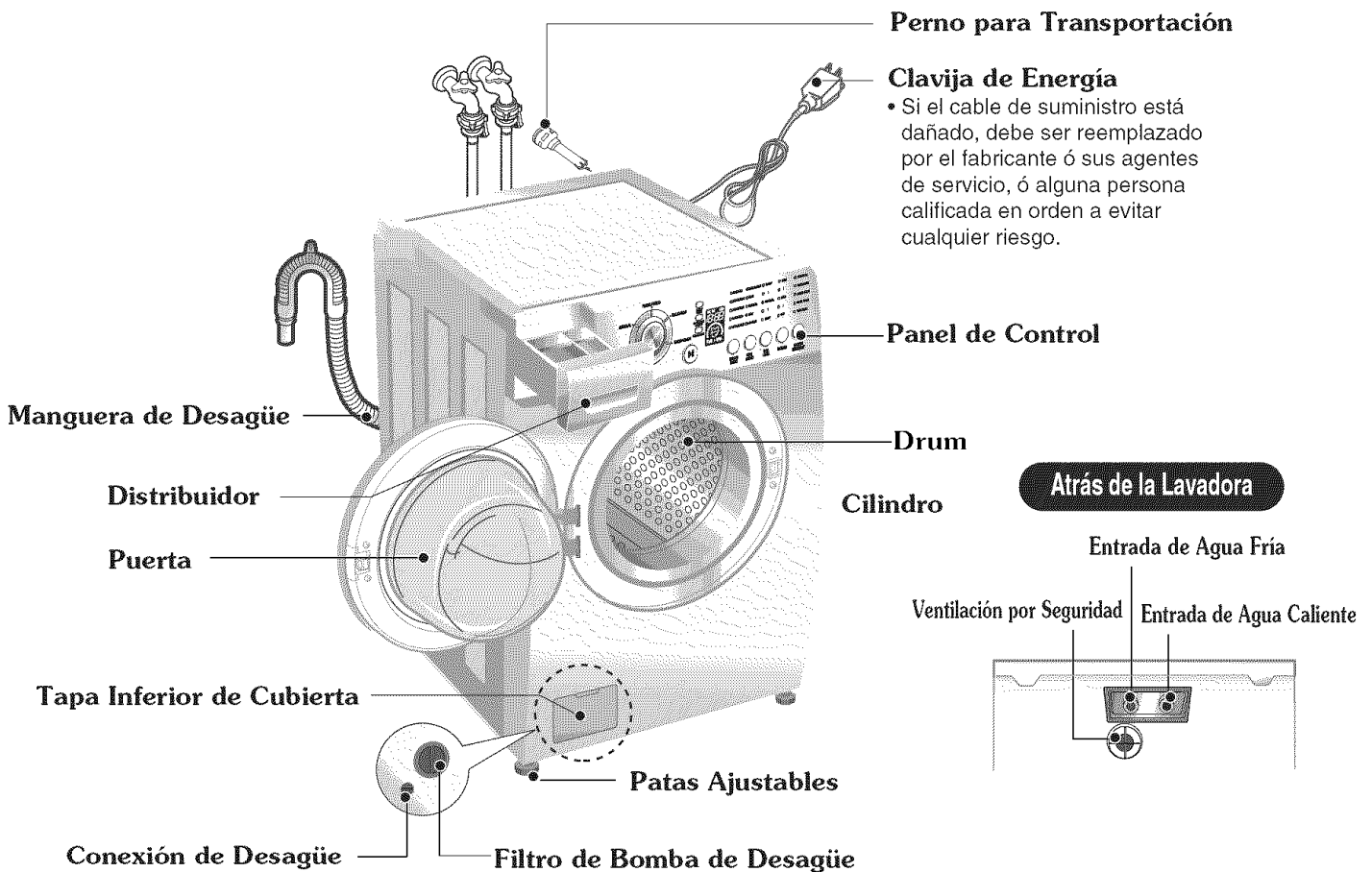
### **INSTRUCCIONES DE CONECCIONA TIERRA**

*Este aparato debe ser conectado a tierra. Dado el caso de descompostura ó mal funcionamiento, la conexión a tierra reduce el riesgo de recibir una descarga eléctrica proveyendo una vía de menor resistencia a la corriente eléctrica. Este aparato esta equipado con un cable que tiene un conductor de equipo a tierra y una clavija de tierra. La clavija debe ser conectada en una toma de corriente adecuada que esté propiamente instalada y conectada a tierra de acuerdo con los códigos y ordenanzas locales.*

- No use un adaptador ni un cable eléctrico de extensión.
- No quite el terminal de conexión a tierra.
- Si no cuenta con la toma de corriente adecuada, consulte a un electricista.

**▲ ADVERTENCIA:** Una conexión inapropiada del conductor de equipo a tierra puede resultar en riesgo de recibir una descarga eléctrica. Verifique con un electricista calificado si tiene dudas sobre si el aparato esta correctamente conectado a tierra. No modifique la clavija provista con el aparato. Si no encaja con la toma de corriente, haga instalar una toma de corriente adecuada por un electricista calificado.

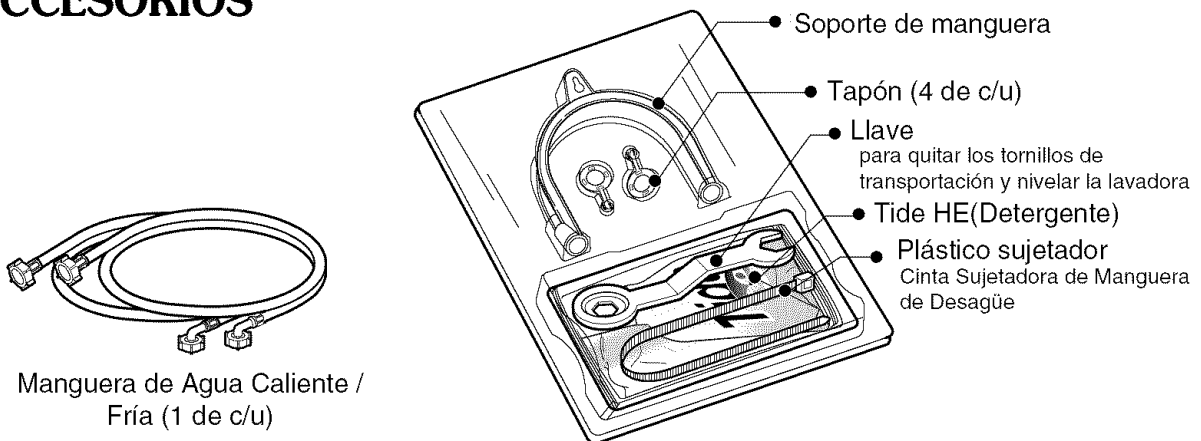
# ESPECIFICACIONES



- Nombre: Máquina Lavadora de Carga por el Frontal
- Suministro de Energía: 120V ~ 60Hz
- Dimensiones: 68.6 cm (Ancho) X 75.6 cm (Profundidad) X 98.3 cm (Altura), 129.1 cm (P, puerta abierta)  
27" (A) X 29<sup>3</sup>/<sub>4</sub>" (P) X 38<sup>11</sup>/<sub>16</sub>" (A), 50<sup>13</sup>/<sub>16</sub>" (P, puerta abierta)
- Peso: 179 lbs. (81 kg)
- Capacidad de Lavado: 3.03 pies cúbicos (IEC: 3.50 pies cúbicos)<sup>1)</sup>
- Velocidad de la Revolución: 1100 rpm max.
- Presión de Agua Permitida: 14.5~116 psi(100~800kPa)

\* Especificaciones sujetas a cambio por el fabricante.

## ■ ACCESORIOS



1) Por cada 60456 IEC lava el equivalente de una agitador de 3.50 pies cúbicos.

# INSTRUCCIONES DE INSTALACIÓN

**⚠ ADVERTENCIA** : Dos o más personas pueden llegar a necesitar la instalación y mover el artículo.

Instale ó almacene en un lugar donde no esté expuesta a temperaturas inferiores a la congelación ni expuesta a la intemperie.

Conecte a tierra correctamente y cumpliendo con todos los códigos y ordenanzas gubernamentales.

Para reducir los riesgos de electrocución, no instale la lavadora en lugares húmedos.

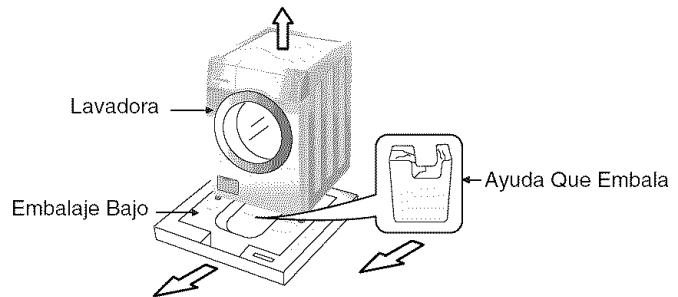
La abertura de la base no debe ser obstruida por alfombra cuando esté instalada sobre un piso con alfombra.

En países donde haya áreas que puedan estar sujetas a plagas de cucarachas ó algún otro bicho, ponga atención particular a mantener el aparato y sus alrededores en condiciones limpias todo el tiempo. Cualquier daño que pueda haber sido causado por cucarachas ó algún otro bicho, no será cubierto por la garantía de este aparato.

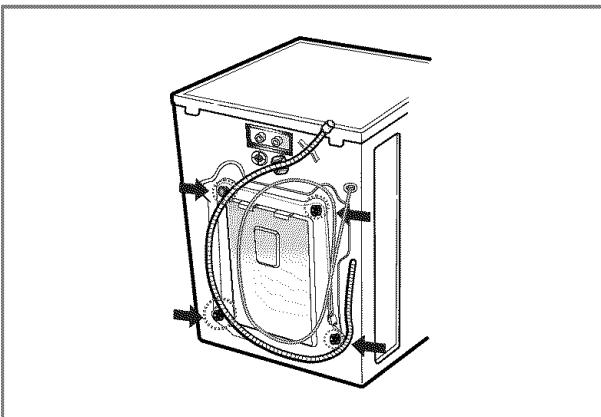
## ■ Pernos de Transportación

El artículo está ajustado con unos tornillos desde el embalaje para prevenir daños internos durante la transportación. El empaque y los tornillos deben ser removidos antes de usarse la lavadora.

☞ Cuando desempaqué la base, asegúrese de remover los empaque adicionales que se encuentran a la mitad de la base.



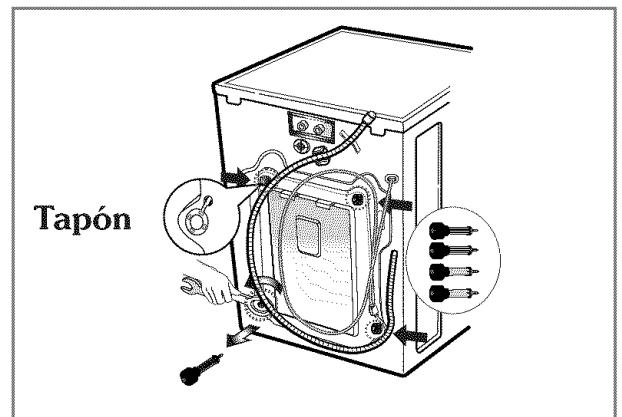
## ■ Remover los Pernos de Transportación



1. Cuatro pernos están instalados para proteger la lavadora durante el transporte. Antes de operar la lavadora, retire los pernos y abrazaderas.

• Si no son retirados, pueden causar fuertes vibraciones, ruido y mal funcionamiento.

2. Desatornille los 4 pernos con la llave Provista. Haga primero la parte baja para hacer los movimientos de manera mas sencilla. Uno de los tornillos detiene el cable de la energía para prevenir que tenga operación antes de haber retirado todos los tornillos.



3. Retire los 4 pernos y abrazaderas dándoles vuelta lentamente a las abrazaderas. Conserve los 4 pernos, las abrazaderas y la llave para su uso futuro.

• Cuando el aparato sea transportado, los pernos y abrazaderas deberán ser reinstalada.

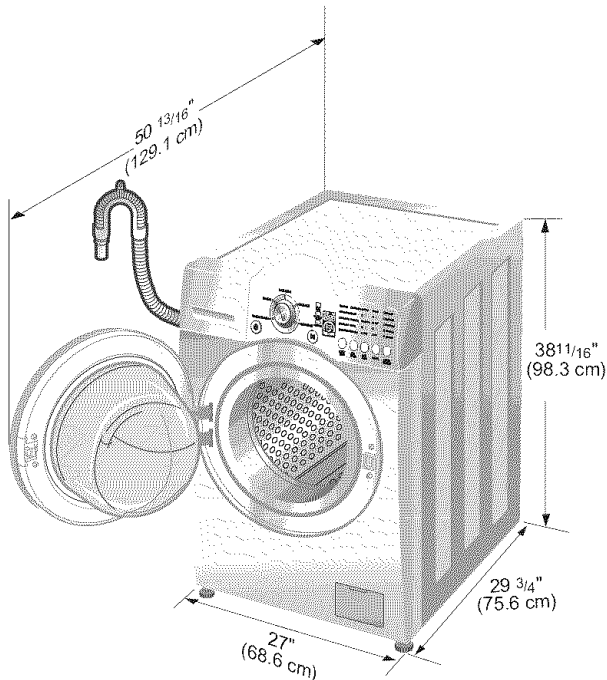
4. Tape los orificios con las tapas provistas.

# INSTRUCCIONES DE INSTALACIÓN

## ■ Espacios Libres de instalación

El lugar debe ser lo suficientemente grande para abrir en su totalidad la puerta de la lavadora.

## ■ Dimensiones de la lavadora



- La mayoría de las instalaciones requieren un mínimo de 10 cm. Libres detrás de la lavadora.

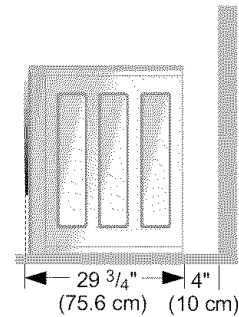
## ■ Espacio mínimo de instalación para área reducida instalación.

Las dimensiones mostradas a continuación son el espaciado mínimo permitido.

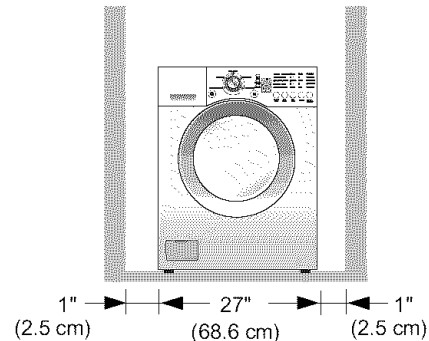
Un espacio adicional debe ser considerado para la instalación y el mantenimiento.

- Un espacio libre adicional puede ser requerido para molduras de pared, puerta y piso.
- Un espacio adicional de 2.5 cm a todos los lados de la lavadora es recomendado para reducir la transferencia de ruido.

El espacio para una aplicación complementaria también debe ser considerado.



[Vista lateral]



[Vista frontal]

## ■ Nivele el Piso

- La inclinación admisible debajo de la lavadora completa es de  $1^\circ$ .
- **Pare reducir ruido y vibración, la lavadora debe ser instalada en un piso construido sólidamente.**
- Superficies con alfombras y azulejos no son recomendadas.
- Nunca instale la lavadora en una plataforma o en una estructura débil.

**NOTA:** Un piso firme y sólido es más necesario para una Carga Frontal que para una Carga Superior. Si su piso es de madera o está en construcción, puede ser que necesite reforzarlo. Las Cargas Frontales tienen mayor revolución que las Cargas Superiores, causando más vibración. Si el piso no es sólido, su lavadora va a vibrar. Va a oír y sentir la vibración en toda su casa.

## ■ Toma de Corriente

- Debe ser de 1.5 m (60 in) hacia cualquier lado de la lavadora. No sobrecargue la toma de corriente con mas de un aparato.
- Se recomienda usar un regulador de voltaje para evitar daños por descarga eléctrica.

**NOTA:** Es responsabilidad y obligación del consumidor tener propiamente instalado su producto por un electricista calificado.

# INSTRUCCIONES DE INSTALACIÓN

## ■ Conexión Eléctrica

- No use un cable de extensión ni un adaptador doble.
- Si el cordón proveedor de energía es dañado, debe ser repuesto por una persona calificada para evitar peligros.
- Si la lavadora no va a ser usada en un periodo largo de tiempo, desconéctela de la energía y de la corriente de agua.
- Conecte la lavadora a una toma de corriente correctamente conectada a tierra de acuerdo con las regulaciones de cableado locales.
- El aparato debe estar posicionado de manera que la conexión a la corriente sea de fácil acceso.

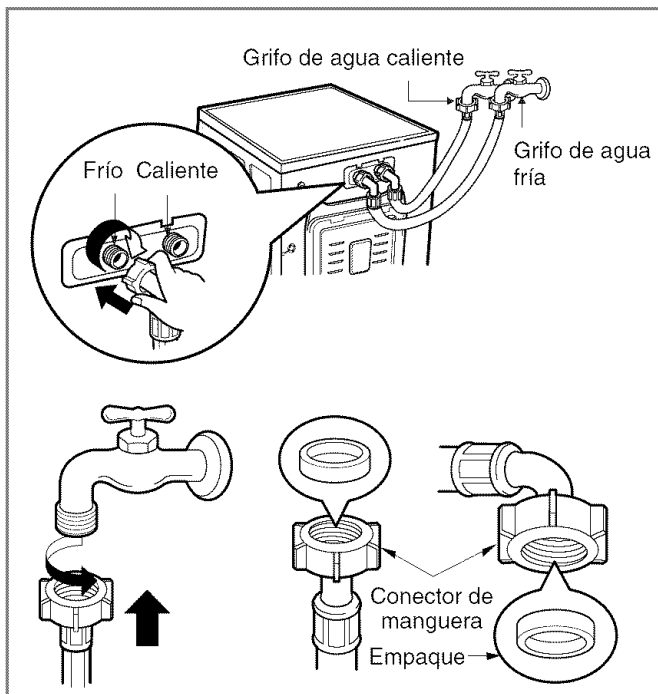
## ⚠ PRECAUCIÓN! Relacionado al Cordón de Poder

Muchos electrodomésticos recomiendan usar un único suplemento de energía; es decir, solamente un circuito de poder debe de ser usado sin tener otros electrodomésticos conectados en el mismo. Revise la página de especificaciones en el Manual de Usuario para estar seguro.

No sature las conexiones de luz. Conexiones saturadas, sueltas o dañadas, extensiones, cables dañados o sueltos son peligrosos. Cualquiera de estas condiciones pueden ocasionar choques eléctricos o fuego. Periódicamente examine el cable de su electrodoméstico y si su apariencia indica daño o deterioro, desconéctelo, deje de usar el aparato y haga reemplazar su cable por un servicio autorizado.

Proteja el cable de poder de cualquier abuso físico o mecánico, como torcerlo, pincharlo, que se quede entre una puerta cerrada o que se le camine encima. Ponga particular atención a los conectores, enchufes, y el cable.

## ■ Conectando la manguera de suministro de agua.



**NOTA:** La Lavadora será conectada a las líneas principales del agua usando mangueras nuevas. No se deben usar mangueras usadas.

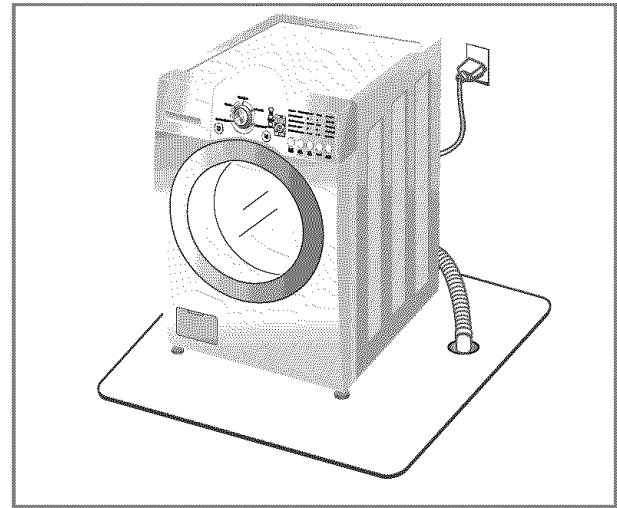
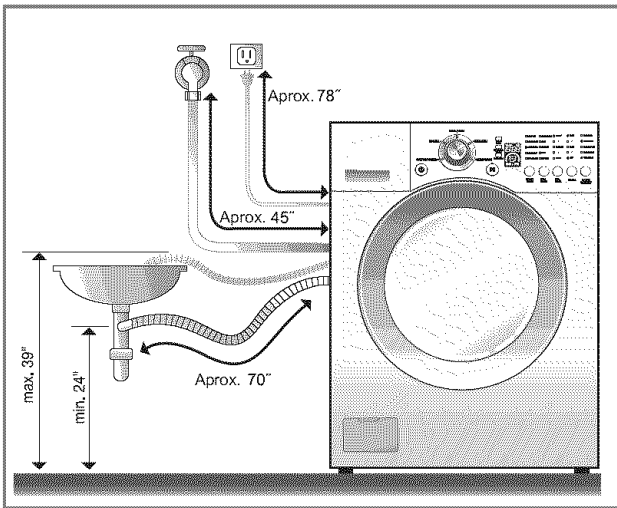
- La presión de suministro de agua debe estar entre 14.5 y 116 psi (100 y 800 kPa).
- No corte ni desgarre la manguera de entrada a la válvula.
- Si la presión de suministro de agua es mayor a 116 psi, deberá instalarse un dispositivo reductor de presión.
- Dos empaques selladores son provistos con las mangueras de entrada de agua para prevenir fugas.
- Revise cualquier gotera de las conexiones de la lavadora.
- Verifique periódicamente la condición de las mangueras y reemplácelas de ser necesario.
- Asegúrese de que la manguera no esté torcida ni rota.
- Asegúrese de que las conexiones de agua estén correctamente colocadas. La conexión de agua caliente es de color rojo.

Las reparaciones a la lavadora deberán ser llevadas a cabo únicamente por personal calificado. Las reparaciones llevadas a cabo por personas sin experiencia pueden causarle heridas ó malfuncionamiento. No instale su lavadora en habitaciones donde puedan darse temperaturas inferiores a la congelación. Una manguera congelada puede reventarse bajo presión. La fiabilidad de la unidad de control electrónica puede ser deteriorada a temperaturas por debajo del punto de congelación.

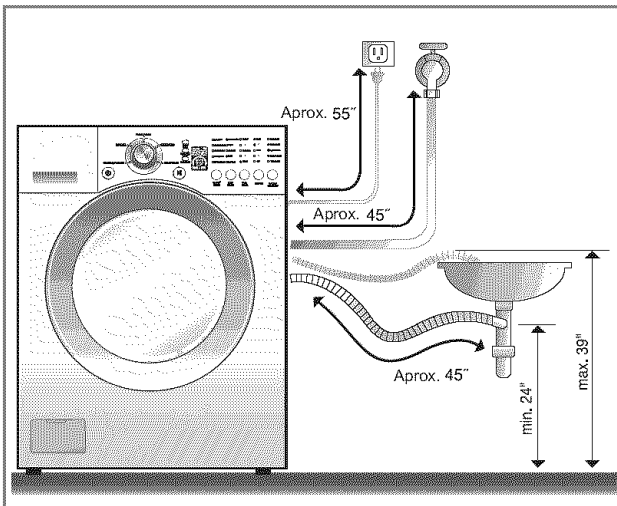
Si el aparato es entregado en los meses de invierno y las temperaturas andan por debajo de la congelación, mantenga la lavadora a temperatura del interior por algunas horas antes de ponerla en operación.

# INSTRUCCIONES DE INSTALACIÓN

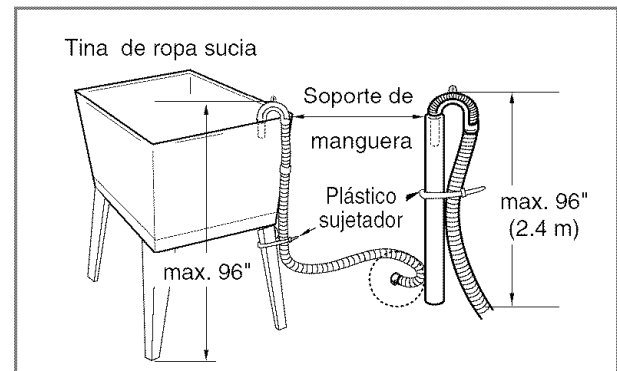
## ■ Instalación de la Manguera de Desagüe



- Ubique el extremo de la manguera de desagüe en el orificio del sistema de drenaje en el piso.



- La manguera de desagüe no debe ubicarse a más de 96" desde la base de la lavadora.
- Asegurar adecuadamente la manguera de desagüe protegerá su piso de daños debidos a fugas de agua.



- Cuando dirija la manguera de desagüe a un lavabo ó tina, asegure el extremo de salida para evitar que se suelte accidentalmente y ocasione una inundación ó daños.
- Asegurar adecuadamente la manguera de desagüe protegerá su piso de daños debidos a fugas de agua.

Este equipo no está diseñado para uso marítimo ni para su uso en instalaciones móviles tales como campers, aeronaves, etc.

Cierre el grifo de la máquina si se va a dejar por un periodo largo de tiempo (ej. Vacaciones).

Al desechar el aparato, corte el cable de energía y destruya la clavija.

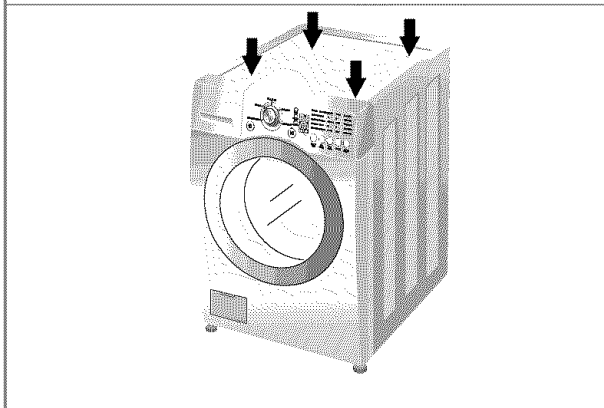
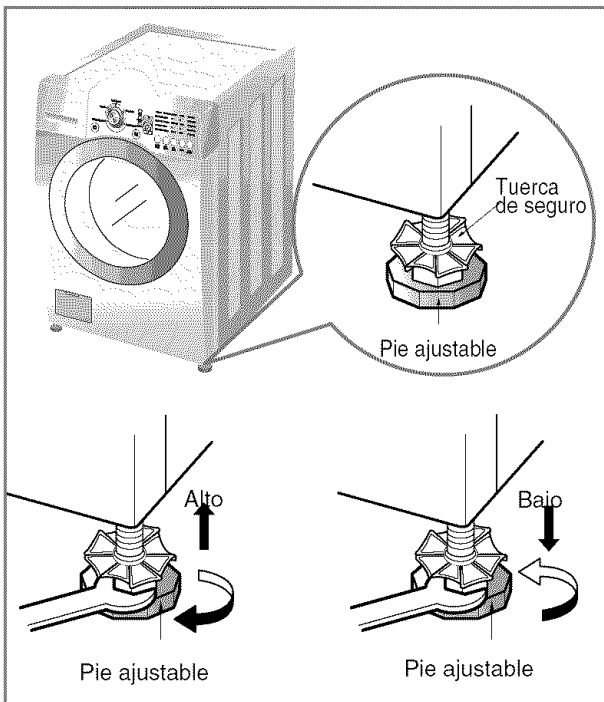
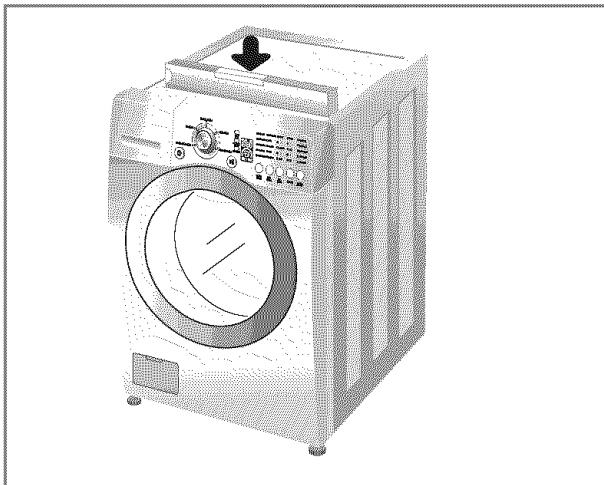
Deshabilite el seguro de la puerta para evitar que algún niño pequeño quede atrapado dentro.

El material de empaque (ej. envoltura plástica, styrofoam) puede ser peligroso para los niños. ¡Existe el riesgo de asfixia! Mantenga todo el material de empaque lejos del alcance de los niños.



# INSTRUCCIONES DE INSTALACIÓN

## ■ Nivelar



- Nivelar correctamente la lavadora previene el ruido y las vibraciones excesivos. Instale el aparato sobre un piso sólido y parejo y preferentemente en una esquina de la habitación.
- Si el piso está disparejo, ajuste las patas ajustables según lo requiera (No inserte piezas de madera, etc. debajo de las patas).

**NOTA:** No extienda las patas niveladoras más de lo necesario. Mientras más extendidas estén, más vibración puede haber.

- Asegúrese de que las cuatro patas estén estables y que reposen sobre el piso, después verifique que el aparato esté bien nivelado (Utilice una herramienta verificadora de nivel).
- Después de que la lavadora esté nivelada, apretar la tuerca de seguro hacia la base de la lavadora. Asegurarse de que todas las tuercas estén apretadas.
- Es crítico que ajuste las patas correctamente. Esto debe hacerse mientras la lavadora esté girando con una carga. Use la llave (abastecida) para ajustar las patas hasta que no haya vibración. Luego asegure los tornillos para evitar cambios en el nuevo ajuste.

**NOTA:** Si existe una vibración o ruido durante el centrifugado, vuelva a revisar el nivel de balance de la lavadora. Ajuste las patas hasta donde lo requiera y asegure los tornillos para evitar cambios en el nuevo ajuste. Inicie el lavado con una prueba de lavado para asegurarse que está bien nivelada. Cargue aproximadamente 6 libras de ropa en la lavadora. Luego presione ENCENDIDO, ENJUAGUE+GIRO e INICIAR/PAUSA, en ese orden. Cuando la lavadora esté girando a su mayor velocidad verifique si está estable. Si no, ajuste nuevamente las patas.

### \* Verificación Diagonal

Al empujar hacia abajo los extremos de la tapa superior de la lavadora de forma diagonal, esta no debe moverse hacia arriba y hacia abajo para nada (Verifíquelo en ambas direcciones).

Si la máquina se tambalea al empujar diagonalmente los extremos hacia abajo, ajuste las patas nuevamente.

# PREPARACIÓN ANTES DE LAVAR



## ADVERTENCIA

Para reducir el riesgo de incendio, descarga eléctrica ó daño a personas, lea las Instrucciones Importantes de Seguridad antes de operar este aparato.

### 1. Etiquetas de Cuidado

Busque etiquetas de cuidado en sus prendas. Esto le dirá sobre el contenido de las telas de su ropa y como debe ser lavada.

### 2. Clasificando

Para obtener los mejores resultados, clasifique al ropa en cargas que puedan ser lavadas con el mismo ciclo de lavado. Las diferentes telas deben ser lavadas con ciclos diferentes.

Siempre clasifique los colores oscuros de los pálidos y los blancos. Lave por separado ya que puede ocurrir una transferencia de tinte y pelusa, coloreando los blancos, etc. De ser posible, lave las prendas mas sucias separadas de las que lo estén menos.

Suciedad (Pesada, Normal, Poca)

Separe las prendas de acuerdo a la cantidad de suciedad.

Color (Blancos, Pálidos, Oscuros)

Separe las telas blancas de las de color.

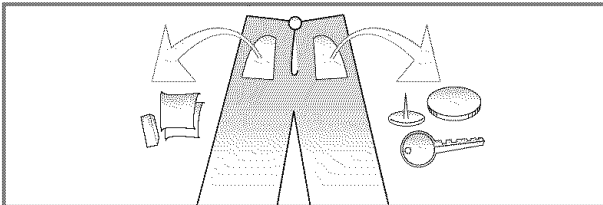
Pelusa (Productores de Pelusa, Recolectores)

Lave por separado las prendas que producen pelusa de las que la recolectan.

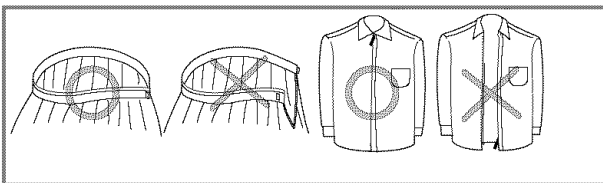
### 3. Verifique antes de Cargar

Combine artículos pequeños y grandes en una carga. Cargue los artículos grandes primero. Los artículos grandes no deben ser más de la mitad de la carga total de lavado.

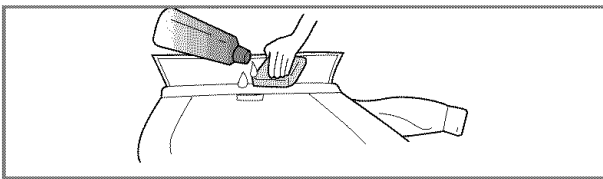
No lave artículos solos. Esto puede causar una carga desbalanceada. Añada una ó dos prendas de igual tamaño.



- Verifique todos los bolsillos para asegurarse de que están vacíos. Objetos como clavos, pasadores, cerillos, plumas, monedas y llaves, pueden dañar tanto su ropa como su lavadora.



- Cierre los cierres, ganchos, y cintas para asegurar que no se atoren con otras prendas.



- Trate las manchas y suciedad antes de lavar, cepillando con un poco de detergente disuelto en agua para aminorar la suciedad.

**NOTA:** No lave ni centrifugue prendas impermeables (contra agua).

# USANDO EL DISTRIBUIDOR

El distribuidor automático consiste de cuatro compartimentos que retienen 1) cloro líquido blanqueador, 2) suavizante de telas líquido, 3) detergente líquido ó en polvo para el prelavado y 4) detergente en polvo ó líquido y blanqueador seguro para los colores para el lavado principal.

Todos los productos de lavandería pueden ser añadidos al mismo tiempo en su compartimiento distribuidor. Estos se distribuirán a su debido tiempo para lograr la limpieza mas efectiva. Después de cargar los aditivos de lavandería en el distribuidor, cierre la tapa.

**Añada detergente, blanqueador y suavizante de telas al distribuidor automático de acuerdo con los siguientes pasos:**

1. Abra el cajón distribuidor.
2. Cargue los productos de lavado en los compartimentos correspondientes.
3. Cierre el cajón distribuidor.

## ■ Acerca del Detergente



Diseñada especialmente para utilizar solamente detergente HE (Alta eficiencia)

Su lavadora LG TROMM esta diseñada para usar solamente detergentes de Alta Calidad (HE).

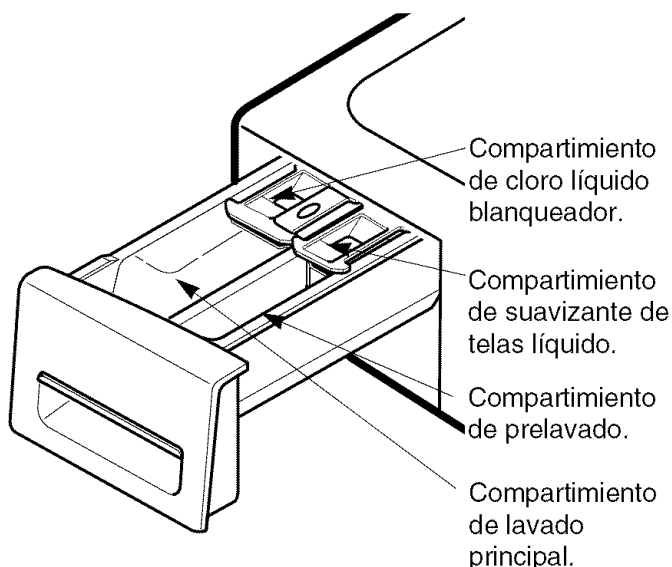
Los detergentes tienen una formula especial que se requiere solo en las cargas frontales ya que reducen componentes de la espuma.

Dicho detergente hace menos espuma, mejora el lavado y el centrifugado y ayuda a mantener el interior de su lavadora LG TROMM en perfectas condiciones.

Si suele utilizar jabones regulares, puede ocasionar un alto nivel de espuma y de insatisfacción.

Para el mejor proceso de lavado y centrifugado, bajo nivel de espuma. Se recomienda ampliamente utilizar detergentes de Alta Calidad (HE).

**NOTA:** El detergente líquido será drenado al cilindro de la lavadora al ser añadido al distribuidor.



### 1. Compartimiento de Detergente para Prelavado

- Añada detergente a este compartimiento cuando use la opción de Prelavado. En este compartimiento se puede usar detergente tanto líquido como en polvo. El detergente será distribuido automáticamente durante el Prelavado si este fue seleccionado en las opciones.
- Añada la mitad de la cantidad recomendada para el Prelavado y la cantidad completa recomendada para el Lavado Principal.

## 2. Compartimiento de Detergente del Lavado Principal

- Añada el detergente con medida a este compartimiento para el lavado Principal. El detergente es drenado del distribuidor al comenzar el ciclo. Puede usarse tanto detergente líquido como en polvo.
- Puede añadirse blanqueador que cuide los colores al compartimiento del Lavado Principal junto con el mismo tipo de detergente, líquido ó en polvo.

**NOTA:** Si está usando la opción de Prelavado con el lavado Principal, deberá usar detergente en polvo para el compartimiento de lavado Principal, ya que el detergente líquido será drenado inmediatamente al cilindro al ser añadido.



Diseñada especialmente para utilizar solamente detergente HE (Alta eficiencia)

## 3. Compartimiento de Blanqueador Líquido

- Añada cloro líquido blanqueador a este compartimiento. El blanqueador será distribuido automáticamente a su debido tiempo durante el ciclo.
- No rebase la línea de llenado máximo. El sobrellenado puede causar derrames tempranos de blanqueador, lo que puede resultar en prendas dañadas.
- No vierta cloro líquido sin diluir directamente en el cilindro ó sobre la ropa. Puede ocurrir daño a las telas.
- No use blanqueador en polvo en este compartimiento.

## 4. Compartimiento de Suavizante de Telas

- Añada la cantidad recomendada de suavizante de telas a este compartimiento.
- Diluya suavizantes concentrados con agua tibia hasta llegar a la línea de llenado.
- No exceda la línea de llenado máximo. El sobrellenado puede causar derrames tempranos de suavizante, lo que puede resultar en prendas sucias.
- No vierta el suavizante de telas directamente sobre la carga de lavado.
- El suavizante de telas será distribuido automáticamente durante el último ciclo de enjuague.

**NOTA:** No coloque, guarde o derrame productos de lavado (jabón, detergente, blanqueador, suavizante, etc.) en la parte superior de su lavadora o secadora. Estos productos pueden dañar el terminado o los controles si se deja por mucho tiempo ahí.

# CICLOS

- Usted puede seleccionar ciclos diseñados para diferentes tipos de telas y niveles de suciedad.

Ciclo	Tipo de Tela	Temperatura de Lavado / Enjuague	Velocidad de Giro	Nivel de Suciedad	Prelavado	Ciclo Rápido	Enjuague Extra	Enjuague+ Giro	Ciclo de Manchas	Agua Más
<b>Algodón/ Toallas</b> (Cotton/ Towels)	Algodón, Lino, Toallas, Camisetas	Tibia/Fría	Extra Alto	Normal	○	○	○	○	○	○
		Tibia/Tibia Caliente/Fría Ligeramente Fría/Fría Fría/Fría	No Exprimido Bajo Mediano Alto	Pesado Ligero						
<b>Normal</b> (Normal)	Cargas mixtas, ropa de trabajo, jeans, camisas	Tibia/Fría	Alto	Normal	○	○	○	○	○	○
		Tibia/Tibia Caliente/Fría Ligeramente Fría/Fría Fría/Fría	Extra Alto No Exprimido Bajo Mediano	Pesado Ligero						
<b>Planchado Permanente</b> (Perm Press)	Pantalones, camisas de vestir, ropa sin arrugas, mezclas de poly/ algodón, etc.	Tibia/Fría	Mediano	Normal	○	○	○	○	○	○
		Tibia/Tibia Caliente/Fría Ligeramente Fría/Fría Fría/Fría	Alto No Exprimido Bajo	Pesado Ligero						
<b>Delicados</b> (Delicates)	Camisas de vestir, blusas, nylon, prendas con encaje	Fría/Fría	Mediano	Normal	○	○	○	○		○
		Tibia/Fría Tibia/Tibia Ligeramente Fría/Fría	No Exprimido Bajo	Pesado Ligero						
<b>Lavado a Mano</b> (Hand Wash)	Artículos Etiquetados para lavado a mano	Fría/Fría	Bajo	Normal		○	○	○		○
		Tibia/Fría Tibia/Tibia Ligeramente Fría/Fría	Mediano No Exprimido	Ligero						

# COMO USAR LA LAVADORA



Selector de Ciclo

## 1. Encendido (Power)

- Use este botón para Encender y Apagar la lavadora.

## 2. Ciclos

- Presione la Selector de Ciclo para seleccionar el ciclo diseñado para los diferentes tipos de telas y niveles de suciedad.
- Cada ciclo tiene una temperatura, velocidad de giros, nivel de suciedad y Opciones predeterminadas (Véase página 37).
- La configuración predeterminada puede ser cambiada en cualquier momento antes de comenzar el ciclo.

**NOTA:** Esta lavadora de carga frontal requiere un tiempo de ciclo más largo, y obtendrá una mejor limpieza, aun es más gentil en las prendas, que las lavadoras de carga superior. El tiempo de lavado se puede reducir significativamente para cargas pequeñas o para prendas ligeramente sucias, solo seleccionando el "Ciclo Rápido" con el botón "Opción" y programando el botón de "Nivel de Suciedad", iluminándose la opción.

## 3. Iniciar/Pausa (Start/Pause)

- Use este botón para iniciar y pausar la lavadora.

**NOTA:** Si usted no presiona el botón Iniciar/Pausa en los límites de 4 minutos que se dan para seleccionar el ciclo, el lavado automático se apagará.

## 4. Lavado Diferido (Delay Wash)

- Permite el comienzo de un ciclo con una demora desde 1 hasta 12 horas.
- Haga la selección apropiada para su carga, después presione el botón de Terminado de Retraso (Delay Wash) una vez por una hora ó de nuevo hasta 12 horas de demora en el Terminado de Retraso.

## 5. Agua Más (Water Plus)

- Añade agua adicional a los ciclos de lavado y de enjuagado para mejores resultados.

## 6. SPINSENSE™

- SPINSENSE puede ser usado cuando el piso es de madera o cuando uno tiene la preocupación de que vibre la lavadora.
- Presione el botón Stain cycle por 3 seg para operar SPINSENSE
- Cuando se escoge la opción de Spin Speed la luz en el botón se encenderá y apagará continuamente.
- Presione el botón del ciclo Stain por 3 seg de nuevo para cancelar el ciclo SPINSENSE.
- Si el ciclo SPINSENSE fue seleccionado, el ciclo continuara aplicandose mientras la lavadora está en uso.
- La opción 'SPINSENSE' no puede ser seleccionado durante ciclo de centrifugado.

## 7. Enjuague Extra (Extra Rinse)

- Esta opción provee un enjuague adicional.
- Use esta opción para asegurar la eliminación de residuos de detergente ó blanqueador de las prendas.

# COMO USAR LA LAVADORA

## 8. Temperatura de Lavado/Enjuague (Wash/Rinse)

- Seleccione la temperatura del agua basándose en el tipo de carga que esté lavando.
- Siga las instrucciones de cuidado de las prendas y clasifíquelas según la tabla de abajo para mejores resultados.

Temperatura del Agua Sugerida	Prenda
Caliente 124°F	Artículos blancos y de color-rápido muy sucias.
122°F (50°C)	
Tibia 104°F (40°C)	La mayoría de las cargas.
Fría	Lanas lavables, artículos de colores brillantes.
77°F (25°C)	

- Un enjuague tibio deja la carga más seca que un enjuague frío. Un enjuague tibio incrementa las arrugas.
- En climas fríos, un enjuague tibio hace la carga más cómoda de manejar.
- Un enjuague frío ahorra energía.
- Las temperaturas de los enjuagues fríos dependen de la temperatura del agua fría de su grifo.
- Los enjuagues tibios están regulados a 86°F (30°C) aproximadamente.
- Para el ajuste Tap Cold/Cold (Fria/Fria del grifo), tanto la temperatura del lavado como del enjuague depende de la temperatura del agua fría de su grifo.

## 9. Velocidad de Giro (Spin Speed)- Ciclo del Drenar/Giro

- Para cambiar la velocidad de giro, presione el botón de **Velocidad de Giro** (Spin Speed) hasta configurar la velocidad deseada.
- **Para comenzar el ciclo del Drenar/Giro:**
  1. Presione Encendido para girarse.
  2. Presione el botón de velocidad de Giro (Spin Speed)
  3. Presione Iniciar/Pausa.

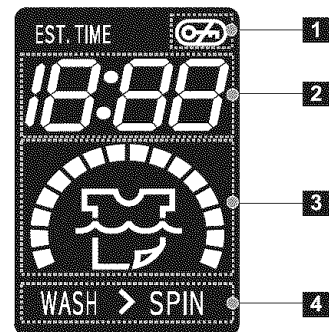
## 10. Nivel de Suciedad (Soil Level)

- Para cambiar el nivel de suciedad, presione el botón de **Nivel de Suciedad** (Soil Level) repetidamente hasta que el nivel deseado se haya conseguido.

## 11. Beeper

- Use este botón para activar o apagar la Alarma.

## LA PANTALLA DE LED (LED DISPLAY)



### 1. INDICADOR DE SEGURO DE LA COMPUERTA

Indica que la compuerta está asegurada. La compuerta de la lavadora se asegurará mientras la lavadora se encuentra funcionando. Se puede liberar la compuerta apretando el botón INICIO/PAUSA ubicado en la parte superior de la lavadora.

### 2. ESTIMATED TIME REMAINING (TIEMPO RESTANTE ESTIMADO)

Cuando se aprieta el botón INICIO/PAUSA, la lavadora detecta automáticamente la carga de lavado (peso) y optimiza el tiempo de lavado, en base al ciclo y las opciones seleccionados. Luego la pantalla indicará el tiempo restante estimado para dicho ciclo.

**NOTA:** El tiempo de ciclo mostrado puede mostrarse mucho más largo que el de una lavadora de carga superior. El tiempo mostrado corresponde al ciclo completo, y no solo la porción de agitación del ciclo, como se muestra típicamente en una lavadora de carga superior.

### 3. INDICADOR DE COMPLETACIÓN DE CICLO

Muestra la porción del ciclo de lavado actual que se ha completado.

### 4. PANTALLA DE ESTADO/CICLO

Esta porción de la pantalla muestra el ciclo seleccionado, el estado de funcionamiento y los mensajes especiales. Si el ciclo tiene instrucciones especiales, también se mostrarán en esta área.

# COMO USAR LA LAVADORA

## OPCIONES (OPTION)

### 1. Prelavado (Prewash)

- Use esta opción para cargas que requieran tratamiento previo. Añade 16 minutos de prelavado y desagüe.

**NOTA:** Cuando use la opción de Prelavado, no use detergente líquido en el compartimiento de Lavado Principal. Use detergente en polvo.

### 2. Enjuague+Giro (Rinse+Spin)

- Use esta opción para enjuagar y luego girar.

### 3. Ciclo Rápido (Quick Cycle)

- El Ciclo Rápido ofrece un ciclo de tiempo rápido.
- Su uso se sugiere para refrescar prendas recién adquiridas ó prendas que han sido empacadas por un tiempo.

### 4. Ciclo de Manchas (Stain Cycle)

- Añade más tiempo a los ciclos de lavado y enjuagado para mejor remoción de manchas.
- Provee un enjuague automáticamente.

### 5. Lavar de Tonel (Tub Clean)

1. Retire toda la ropa que se encuentre en el interior de la lavadora y cierre la puerta.
2. Abra el despachador de detergentes y agregue blanqueador a su compartimiento.

**NOTA:**

No agregue detergente al compartimiento del detergente. Tenga cuidado si usted coloca demasiado puede ocasionar goteras dentro de la lavadora.

3. Cierre el despachador de detergente suavemente.
4. Para prender la máquina, presionar el botón 'Option' y luego seleccionar la opción 'Tub Clean'.
5. Presione el botón de Iniciar/Pausa (Start/Pause).
6. Una vez que el ciclo concluyó, deje la puerta abierta y seque alrededor de la puerta, su puerta de vidrio.

#### ▲ PRECAUCIÓN:

Si hay algún niño pequeño, tenga cuidado de no dejar la puerta abierta.

**NOTA:**

Remueva depósitos de agua dura usando únicamente productos que en la etiqueta digan que es seguro su uso en lavadoras.

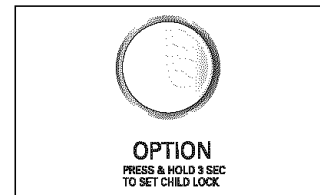
## TIEMPO RESTANTE ESTIMADO (EST. TIME REMAINING)

- Esta pantalla muestra:
  - a) El tiempo restante estimado en el ciclo cuando este está operando.
  - b) El código de error cuando este ha sido detectado.

## INDICADOR DE ESTADO (STATUS INDICATOR)

- Estas luces señalan en que parte del ciclo se está operando. (Véase página 34)

## SEGURO PARA NIÑOS (CHILD LOCK)



- Use esta opción para prevenir el uso no deseado de la lavadora. Presione y sostenga el botón de **Option** por 3 segundos para bloquear/ desbloquear el control.
- Cuando esté puesto el seguro para niños, parpadean las letras "CL" y todos los botones son lisiados excepto en botón de Encendido (**Power**).

## PUERTA ASEGURADA (DOOR LOCKED)

- Se enciende siempre que la puerta de la lavadora está asegurada.
- La puerta puede desasegurarse presionando el botón **Iniciar/Pausa** para detener la lavadora.

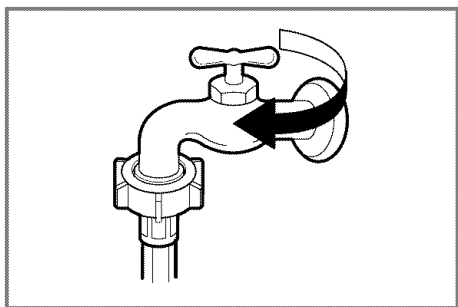
**NOTA:** Si la temperatura o nivel del agua son muy altas, la puerta no puede ser desbloqueada. No trate de forzar la puerta para abrirla cuando la luz de PUERTA ASEGURADA (DOOR LOCKED) esté encendida.



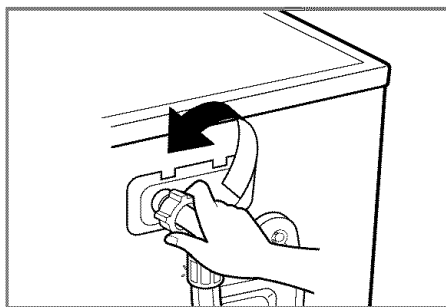
Antes de limpiar el interior de la lavadora, desconéctela del suministro eléctrico para evitar recibir una descarga eléctrica. Cuando deseche el aparato, corte el cable de corriente y destruya la clavija. Deshabilite el seguro de la puerta para evitar que algún niño pequeño quede atrapado dentro.

## ■ El Filtro de Entrada de Agua.

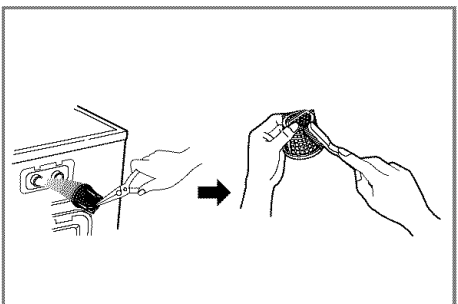
- El mensaje de error “!E” parpadeará en el panel de control cuando no entre agua al compartimiento de detergente.
- Si su agua es muy dura ó contiene residuos de cal, el filtro de entrada de agua puede obstruirse. De tal modo que resulta bueno limpiarlo de vez en cuando.



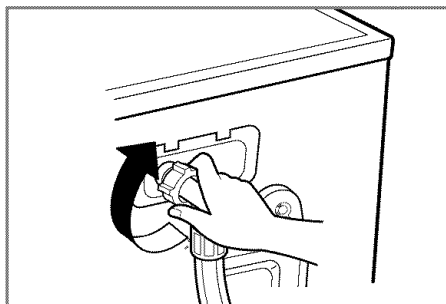
1. Cierre la llave del agua.



2. Desatornille la manguera de la entrada de agua.



3. Limpie el filtro usando un cepillo de cerdas duras.



4. Apriete fuerte la manguera a la entrada.

## ■ El Filtro de La Bomba de Drenaje

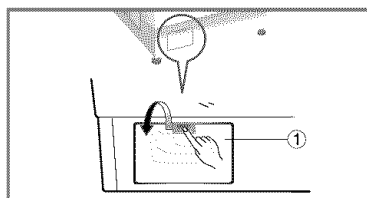
- El filtro de drenaje recolecta fibras y objetos pequeños olvidados en la ropa sucia. Verifique regularmente que el filtro esté limpio para asegurar un funcionamiento suave de su lavadora.

### ⚠ PRECAUCIÓN

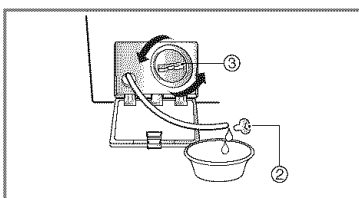
Primero drene usando la manguera de desagüe y después abra el filtro de la bomba para retirar fibras u objetos.

- Permita que el agua se enfríe antes de limpiar la bomba de drenaje.

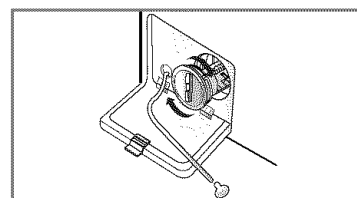
1. Abra la tapa de la cubierta inferior ①. Gire la conexión de la manguera de drenaje ② para sacarla.



2. Desconecte la conexión del drenaje ② permitiendo que el agua salga. Al mismo tiempo use un recipiente para evitar que el agua caiga al piso. Cuando deje de correr el agua, abra el filtro de la bomba ③ hacia la izquierda.

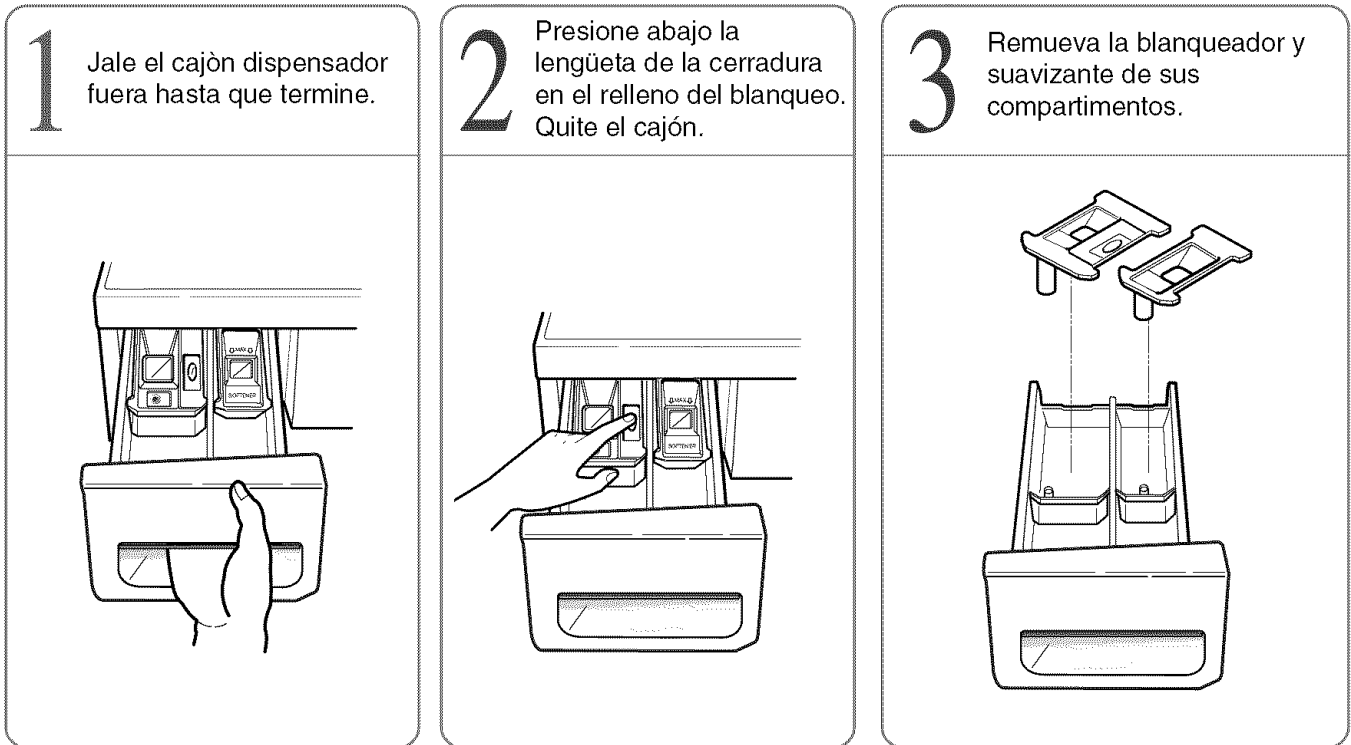


3. Retire cualquier material extraño del filtro de la bomba ③. Después de limpiar el filtro ③, gírelo según las manecillas del reloj e inserte la conexión del desagüe ② a su lugar original. Cierre la tapa de la cubierta inferior ①.



## ■ Limpiando el Distribuidor

- El distribuidor puede necesitar que lo limpie periódicamente debido a los residuos de los aditivos de lavandería.



- Ponga agua caliente junto con un cepillo suave o alguna prenda sobre el cajón, para eliminar los excesos de detergente y cualquier aditivo de lavandería.
- Limpie el cajón usando agua y un cepillo pequeño.
- Siga las ilustraciones del reverso para reemplazar las piezas en su ubicación correcta.

**NOTA:** No use ninguna sustancia de limpieza en la apertura del cajón más que agua porque se drenará al tina. Si esto sucediera, ponga la lavadora a realizar un ciclo de enjuague y giro para remover cualquier residuo de la sustancia antes de lavar ropa.

## ■ El Cilindro de Lavado

- Si usted vive en un área de agua dura, continuamente se genera la acumulación de residuos de cal en lugares donde no se ve con facilidad y es difícil remover. Con el tiempo esto puede obstruir su aparato y si no se verifica periódicamente, podría tener que reemplazarlo.
- Aunque el cilindro de lavado esté hecho de acero inoxidable, pueden llegar a aparecer puntos de óxido causados por otros artículos pequeños de metal (clips, seguros, etc.) que hayan sido dejados en el cilindro.
- El cilindro de lavado deberá ser lavado de vez en cuando.
- Si usa agentes para remover la cal, asegúrese de que pueden usarse en una lavadora.
- Los agentes para remover la cal pueden contener componentes que dañen su lavadora.
- Remueva las manchas con un agente limpiador de acero inoxidable.
- Nunca use fibra de acero.

## ■ Limpiando su Lavadora

### 1. Exterior

El cuidado adecuado de su lavadora puede extender su vida.

El exterior de la máquina puede ser limpiado con agua tibia y un detergente casero neutral, no-abrasivo.

Limpe inmediatamente cualquier derrame. Limpie con un trapo húmedo.

Trate de no golpear la superficie con objetos filosos ó puntiagudos.

\* **IMPORTANTE:** No use esencia de metilo, solventes ó productos similares.

### 2. Interior

Seque alrededor de la abertura de la puerta de la lavadora, la junta flexible y el vidrio de la puerta.

Estas áreas deben estar siempre limpias para asegurar un sellado hermético.

**LAVAR DE TONEL** es un ciclo especial para limpiar el interior de la lavadora. Este ciclo utiliza un alto nivel de agua con una velocidad fuerte. Haciendo un ciclo normal.

#### • Para comenzar el ciclo:

1. Retire toda la ropa que se encuentre en el interior de la lavadora y cierre la puerta.

2. Abra el despachador de detergentes y agregue blanqueador a su compartimiento.

**NOTA:** No agregue detergente al compartimiento del detergente. Tenga cuidado si usted coloca demasiado puede ocasionar goteras dentro de la lavadora.

3. Cierre el despachador de detergente suavemente.

4. Para prender la máquina, presionar el botón 'Option' y luego seleccionar la opción 'Tub Clean'.

5. Presione el botón de Iniciar/Pausa (Start/Pause).

6. Una vez que el ciclo concluyó, deje la puerta abierta y seque alrededor de la puerta, su puerta de vidrio.

**⚠ PRECAUCIÓN:** Si hay algún niño pequeño, tenga cuidado de no dejar la puerta abierta.

**NOTA:** Remueva depósitos de agua dura usando únicamente productos que en la etiqueta digan que es seguro su uso en lavadoras.

## ■ Instrucciones de Invierno

Si la lavadora es almacenada en un lugar donde pueda ocurrir congelación, ó es movida a un lugar con temperaturas de congelación, siga las siguientes instrucciones de invierno para prevenir daños a su lavadora:

1. Cierre la llave de suministro de agua.

2. Desconecte las mangueras del suministro de agua y del drenaje.

3. Conecte el cable de suministro de energía a una toma de corriente propiamente conectada a tierra.

4. Añada 1 galón (3.8 ℓ) de anticongelante no-tóxico para vehículo de recreo para vaciar el cilindro de lavado. Cierre la puerta.

5. Configure el ciclo de giro y deje girar a la lavadora por 1 minuto para drenar toda el agua. No todo el anticongelante será expulsado.

6. Desconecte el cable de suministro de energía, seque el interior del cilindro y cierre la puerta.


7. Retire el contenedor del distribuidor. Drene el agua que haya en los compartimientos y seque los componentes.

8. Almacene la lavadora en posición parada derecha.

9. Para remover el anticongelante de la lavadora después de almacenada, opérela vacía por un ciclo completo de lavado usando detergente. **No añada ropa.**

# GUÍA PARA LA LOCALIZACIÓN DE PROBLEMAS

\* Esta lavadora está equipada con funciones de seguridad automáticas que detectan y diagnostican fallas tempranamente y reaccionan apropiadamente. Cuando la máquina no funcione apropiadamente ó no funcione para nada, verifique los puntos siguientes antes de llamar al Departamento de Servicio.

Problema	Posible Causa	Solución
Ruido de golpeteo metálico	<ul style="list-style-type: none"> <li>• Algún objeto externo como monedas ó seguros pueden estar en el cilindro ó en la bomba de drenaje.</li> </ul>	<p>Detenga la lavadora y revise el cilindro y el filtro de desagüe. Si el ruido persiste después de reiniciar la lavadora, llame a Servicio.</p>
Ruido Sordo	<ul style="list-style-type: none"> <li>• Cargas pesadas de ropa pueden causar este sonido. Esto es normal.</li> </ul>	<p>Si el sonido persiste, talvez la lavadora esté desbalanceada. Deténgala y redistribuya el peso de la carga.</p>
Ruido vibrante	<ul style="list-style-type: none"> <li>• ¿Ha retirado los pernos de transportación y la envoltura por completo?</li> <li>• ¿Están todas las patas reposando sobre el piso firmemente?</li> </ul>	<p>Véase Instalación para remover los pernos de transportación. Si la carga está mal distribuida en el cilindro de lavado, detenga la lavadora y redistribuya la carga de manera equitativa. Ajuste las patas. Asegúrese que las cuatro patas estén en firme contacto con el suelo, mientras que la lavadora está en ciclo de la giro con la carga.</p>
Fugas de agua	<ul style="list-style-type: none"> <li>• La manguera de suministro de agua esta suelta en la llave ó en la entrada de la máquina.</li> <li>• Las mangueras de drenaje de la casa están obstruidas.</li> </ul>	<p>Verifique y apriete las conexiones.</p> <p>Descongestione los tubos de drenaje. Contacte a un plomero de ser necesario.</p>
Exceso de espuma	<ul style="list-style-type: none"> <li>• ¿Demasiado detergente ó detergente no compatible?</li> </ul>	<p>Reduzca la cantidad de detergente o utilice detergente de HE (Alta eficiencia)</p> <p> Diseñada especialmente para utilizar solamente detergente HE (Alta eficiencia)</p>

# GUÍA PARA LA LOCALIZACIÓN DE PROBLEMAS

Problema	Posible Causa	Solución
<p>El Agua no entra a la lavadora ó entra lentamente</p> <p>El agua de la lavadora no se va ó se va lentamente</p>	<ul style="list-style-type: none"> <li>• El suministro de agua no es el correcto en el área.</li> <li>• La llave de suministro de agua no está bien abierta.</li> <li>• La manguera de suministro de agua está torcida.</li> <li>• El filtro del suministro de agua está obstruido.</li> <li>• La manguera de desagüe está torcida.</li> <li>• El filtro de desagüe está obstruido.</li> </ul>	<p>Verifique con otra llave en la casa.</p> <p>Abra completamente la llave.</p> <p>Enderece la manguera.</p> <p>Verifique el filtro en la manguera.</p> <p>Limpie y enderece la manguera.</p> <p>Limpie el filtro de desagüe</p>
<p>La lavadora no enciende</p> <p>La lavadora no gira</p>	<ul style="list-style-type: none"> <li>• El cable de suministro de energía puede no estar conectado ó está suelto.</li> <li>• El fusible de la casa puede estar fundido, ó se botó el interruptor de circuito, ó no hay luz.</li> <li>• La llave de suministro de agua no está abierta.</li> <li>• Verifique que la puerta esté bien cerrada.</li> </ul>	<p>Asegúrese de que esté bien conectado.</p> <p>Reemplace el fusible ó reinicie el interruptor de circuito. No incremente la capacidad del fusible. Si el problema es una sobrecarga en el circuito, hágalo corregir por un electricista calificado.</p> <p>Abra la llave del suministro de agua.</p> <p>Cierre la puerta y presione el botón de Iniciar/Pausa. Después de presionar el botón de Iniciar/Pausa, puede tomar unos momentos antes de que la ropa comience a girar. La puerta debe cerrar con seguro antes de iniciar los giros.</p>
<p>El tiempo de lavado se retrasa</p>	<ul style="list-style-type: none"> <li>• El tiempo de lavado puede variar de acuerdo con la cantidad de ropa, presión del agua, temperatura del agua y otras condiciones de uso.</li> </ul>	<p>Si el desequilibrio es detectado ó si el programa eliminador de espuma operan, el tiempo de lavado puede aumentar.</p>

# GUÍA PARA LA LOCALIZACIÓN DE PROBLEMAS

Problema	Posible Causa	Solución
<b>IE</b>	<ul style="list-style-type: none"> <li>• El suministro de agua no es adecuado en el área.</li> <li>• Las llaves del agua no están completamente abiertas.</li> <li>• Las mangueras de entrada de agua están torcidas.</li> <li>• El filtro de la manguera de entrada está obstruido.</li> </ul>	<p>Verifique con otra llave de agua en la casa.</p> <p>Abra bien las llaves del agua.</p> <p>Enderece las mangueras.</p> <p>Verifique el filtro de las mangueras de entrada de agua.</p>
<b>DE</b>	<ul style="list-style-type: none"> <li>• La manguera de desagüe está torcida u obstruida.</li> <li>• El filtro de desagüe está obstruido.</li> </ul>	<p>Limpie y enderece la manguera.</p> <p>Limpie el filtro de desagüe</p>
<b>UE</b>	<ul style="list-style-type: none"> <li>• La carga es muy pequeña.</li> <li>• La carga está desbalanceada.</li> <li>• El aparato tiene un sistema de detección de desequilibrio y corrección. Si son cargados artículos individuales pesados (ej. Bata de baño, colchas, etc.) este sistema puede detener el ciclo si el desequilibrio es muy grande aun después de un rato.</li> </ul>	<p>Añada 1 ó 2 prendas similares a la carga.</p> <p>Reacomode la carga para balancearla.</p>
<b>DE</b>	<ul style="list-style-type: none"> <li>• ¿Está la puerta abierta ó no está bien cerrada?</li> </ul>	<p>Cierre bien la puerta.</p> <p>* Si el mensaje persiste llame a Servicio.</p>
<b>EE</b>		<p>Desconecte el suministro de energía y llame a Servicio.</p>
<b>FE</b>	<ul style="list-style-type: none"> <li>• El agua sobrellena hasta la válvula de falla de agua.</li> </ul>	<p>Cierre la llave del agua.</p> <p>Desconecte la clavija de energía.</p> <p>Llame a servicio.</p>
<b>PE</b>	<ul style="list-style-type: none"> <li>• Hay una falla en el sensor de nivel de agua.</li> </ul>	
<b>LE</b>	<ul style="list-style-type: none"> <li>• Sobrecarga en el Motor.</li> </ul>	
<b>PF</b>	<ul style="list-style-type: none"> <li>• La lavadora estuvo sometida a una falla de alimentación eléctrica.</li> </ul>	<p>Vuelva a comenzar el ciclo.</p>

# GARANTÍA

## LG ELECTRONICS, INC. Garantía Limitada En Los Estados Unidos De Lavadora LG



Su lavadora LG será reparada o reemplazada, a consideración de LG, si prueba ser defectuosa en material o en ejecución dentro de un uso normal, dentro del periodo de garantía ("periodo de garantía") descrito en la parte inferior, efectivo desde la fecha ("fecha de compra") de la compra del producto por el consumidor. Esta garantía limitada es efectiva únicamente para el comprador original del producto, y efectivo únicamente si ha sido usado en los Estados Unidos, incluyendo Alaska, Hawai y territorio norteamericano.

### PERÍODO DE GARANTÍA:

**Vigencia:** 1 año desde la fecha de compra.

**PARTES** (exceptuando la siguiente lista):

1 año desde la fecha de compra.

**Piezas para el panel de control electrónico:**

2 años desde la fecha de compra.

**Piezas para el motor de tina Drum:**

7 años desde la fecha de compra.

**Piezas para la tina Drum de acero inoxidable: La vida.**

Las unidades reemplazadas y reparadas pueden ser nuevas o refabricadas por la fábrica.

Las unidades reemplazadas y reparadas tienen la misma porción de garantía que la garantía original de la compra del producto durante el mismo periodo.

### CÓMO SE MANEJA EL SERVICIO:

**Servicio a domicilio:** Por favor conserve el recibo del lugar donde realizó su compra como evidencia de la fecha en que el producto fue adquirido para validar el periodo de garantía, y tenga una copia del recibo para la persona de servicio que la atienda en el momento en que necesite aplicar su garantía.

Por favor llame al 1-800-243-0000 y escoja la opción apropiada para localizar el Centro de Servicio Autorizado LG más cercano a usted.

O visite nuestra página de internet en <http://www.lgservice.com>

**ESTA GARANTÍA REEMPLAZA CUALQUIER OTRA GARANTÍA, EXPRESA O IMPLÍCITA, INCLUYENDO SIN LIMITACIÓN CUALQUIER GARANTÍA DE VENTA DE MERCANCÍA O CONVENIENCIA PARA PROPÓSITOS PARTICULARES. EN EL EXTENDIDO CUALQUIER GARANTÍA IMPLÍCITA ES REQUERIDA POR LEY, ES LIMITADA EN DURACIÓN AL PERÍODO DE GARANTÍA EXPRESA EN LA PARTE INFERIOR. NI EL FABRICANTE NI SUS DISTRIBUIDORES EN LOS EUA PUEDEN SER RESPONSABLES DE NINGUN DAÑO INCIDENTAL, CONSECUENCIAL, INDIRECTO, ESPECIAL O PUNITIVO DE NINGUNA NATURALEZA, INCLUYENDO SIN LIMITACIÓN, PÉRDIDAS DE GANANCIAS O CUALQUIER OTRO DAÑO AUNQUE ESTE BASADO EN CONTRATO O AGRAVIO.** Algunos estados no permiten la exclusión o limitación de daños incidentales o consecuentes en el tiempo válido de la garantía así que la exclusión mencionada en la parte de arriba puede que no aplique para usted. Esta garantía le da derechos legales específicos y puede que usted tenga otros derechos además de los mencionados que varían de estado en estado.

### **ESTA GARANTÍA LIMITADA NO APLICA A:**

- Viajes de Servicio a su casa para llevar, recoger y/o instalar el producto, instruir o reponer fusibles o conectar correctamente cables, o la corrección de piezas desautorizadas; y
- Daños o problemas operacionales como resultado de un mal uso, abuso, operación dentro de un ambiente no especificado o contrario a los requerimientos o precauciones en la Guía Operacional, accidente, plagas, incendios, inundaciones, instalación inapropiada, actos de Dios, alteraciones o modificaciones desautorizadas, voltaje incorrecto, uso comercial, o para el uso de otros fines que no sean los propósitos intencionados.

El costo de reparaciones o reemplazos que son excluidos de estas circunstancias, deben ser asumidos por el consumidor.

### **NÚMEROS CENTRALES INTERACTIVOS PARA EL CLIENTE**

Para obtener Asistencia al Consumidor, Información de Producto, O centros de Servicio Autorizados:

Llame al 1-800-243-0000 (24 horas por día, 365 días por año) y seleccione la opción apropiada del menú.  
o visite nuestra página de Internet en <http://www.lgservice.com>.

### **PARA CONTACTAR A LG Electronics POR MAIL**

LG Customer Interactive Center  
P. O. Box 240007  
201 James Record Road  
Huntsville, Alabama 35824  
ATTN: CIC



**LG Electronics Inc.**