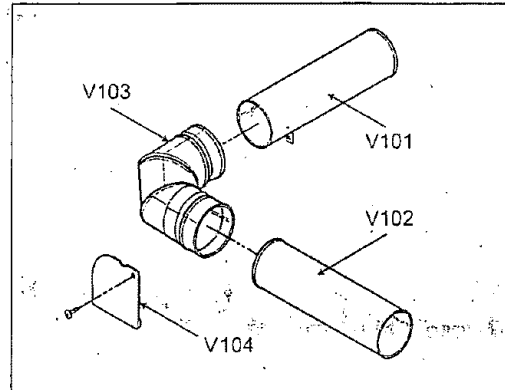




### Venting Installation Instructions

LOC	DESCRIPTION	P/No.	QTY
V101	DUCT OUTLET-A	5209EL1004A	1
V102	DUCT OUTLET-B	5208EL1006A	1
V103	DUCT ELBOW	5208EL1005A	1
V104	COVER PLATE	5006EL3004A	1
	SCREW	1ATF0402608	1
	INSTRUCTION SHEET	3858EL4001D	1



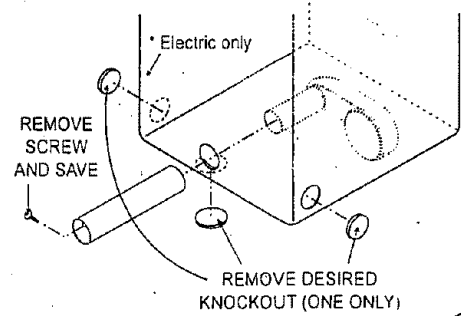
### ▲ WARNING !

BEFORE PERFORMING THIS EXHAUST INSTALLATION, BE SURE TO DISCONNECT THE DRYER FROM ITS ELECTRICAL SUPPLY.  
 PROTECT YOUR HANDS AND ARMS FROM SHARP EDGES WHEN WORKING INSIDE THE CABINET. BE SURE TO WEAR GLOVES.

**TOOLS REQUIRED :** #2 Phillips Screwdriver, Duct tape, Gloves, Long Sleeve Shirts, Small flat blade screwdriver.

### PREPARING EXHAUST INSTALLATION

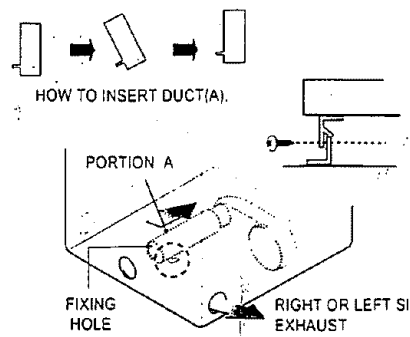
1. Detach and remove the bottom, right or left side knockout as desired.
2. Remove the screw from rear of the dryer and save.
3. Pull the duct out of the dryer. (Refer Fig. 1)



<Fig. 1>

### ADDING NEW DUCT

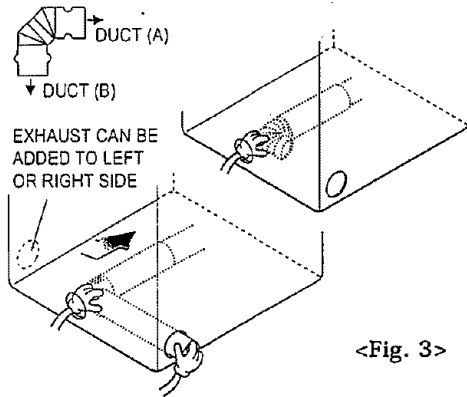
4. Connect the new duct(A) supplied with kit. Make sure that the duct is aligned with the bracket in the base as shown in Fig. 2.
5. Use the screw supplied with kit to secure the duct in-place through the bracket on the appliance base



<Fig. 2>

Follow steps below for:

### ADDING ELBOW AND DUCT FOR EXHAUST TO LEFT OR RIGHT SIDE OF CABINET



6. Beware of the direction of the elbow.
7. Insert 4" elbow through the rear of dryer and connect the elbow to the dryer internal duct as shown in Fig. 3. Wrap duct tape around joint as shown below in Fig. 5.
8. Insert 4" duct through the side opening and connect the duct to the elbow.

#### ⚠ CAUTION

*Be sure not to pull or damage the electrical wires inside the dryer when inserting the duct.*

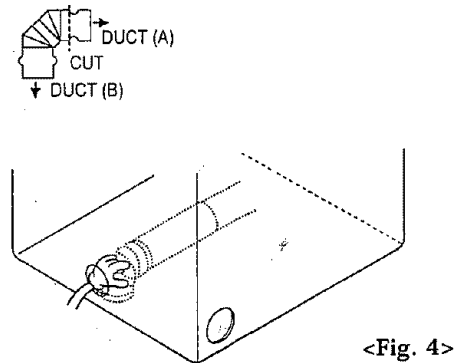
Apply duct tape as shown on the joint between the dryer internal duct and the elbow.

#### ⚠ CAUTION

*Internal duct joints must be secured with tape, otherwise they may separate and cause a safety hazard.*

Follow steps below for:

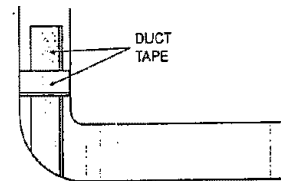
### ADDING ELBOW FOR EXHAUST THROUGH BOTTOM OF CABINET



6. Cut the elbow as shown in Fig. 4.
7. Insert the elbow through the rear opening and connect it to the dryer internal duct.
8. Apply duct tape on the joint between the dryer internal duct and elbow, as shown below in Fig. 5.

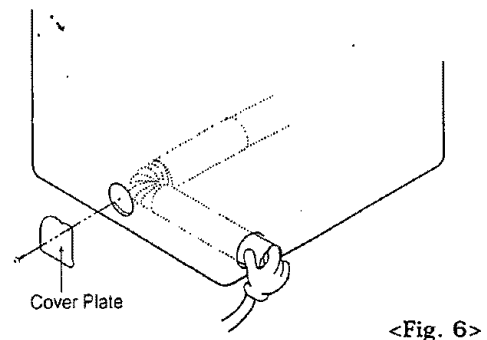
#### ⚠ CAUTION

*Internal duct joints must be secured with tape, otherwise they may separate and cause a safety hazard.*



### ADDING COVER PLATE TO REAR OF CABINET (SIDES AND BOTTOM EXHAUST)

9. Connect standard metal elbows and ducts to complete the exhaust system as shown in Fig. 6.
10. Cover back opening with a cover plate supplied with kit. Use the screw that was removed from rear of dryer to secure. Place dryer in final location.



**⚠ WARNING !** - NEVER LEAVE THE BACK OPENING WITHOUT THE PLATE.

**⚠ WARNING !** - TO REDUCE THE RISK OF FIRE QUALIFIED TECHNICIAN CLEAN THE INSIDE OF THE DRYER AT LEAST ONCE A YEAR.