

# Installation Instructions

30", 36" and 48" Custom Hood Insert

ZVC30LSS  
ZVC36LSS  
ZVC48LSS



# Installation Instructions



## BEFORE YOU BEGIN

Read these instructions completely and carefully.

- **IMPORTANT** – Save these instructions for local inspector's use.
- **IMPORTANT** – Observe all governing codes and ordinances.
- **Note to Installer** – Be sure to leave these instructions with the Consumer.
- **Note to Consumer** – Keep these instructions for future reference.
- **Skill Level** – Installation of this vent hood requires basic mechanical and electrical skills.
- **Completion time** – 1 to 3 hours.
- Proper installation is the responsibility of the installer.
- Product failure due to improper installation is not covered under the Warranty.

For Monogram local service in your area, call 1.800.444.1845.

For Monogram service in Canada, call 1.888.880.3030.

For Monogram Parts and Accessories, call 1.800.626.2002.



### CAUTION:

Due to the weight and size of these vent hoods and to reduce the risk of personal injury or damage to the product, **TWO PEOPLE ARE REQUIRED FOR PROPER INSTALLATION.**



### ATTENTION :

À cause du poids et des dimensions de ces hottes et pour réduire les risques de blessures ou de dommages du produit, **IL FAUT DEUX PERSONNES POUR FAIRE UNE INSTALLATION CORRECTE.**



### WARNING:

To reduce the risk of fire or electrical shock, do not use this range hood with any external solid-state speed control device. Any such alteration from original factory wiring could result in damage to the unit and/or create an electrical safety hazard.



### AVERTISSEMENT :

Pour réduire le risque d'incendie ou de choc électrique, il ne faut pas utiliser cette hotte avec un régulateur de vitesse électronique externe. Toute modification de ce type du branchement d'usine peut endommager l'appareil ou créer un risque de choc électrique.

**TO REDUCE THE RISK OF FIRE, USE ONLY METAL DUCTWORK.**



### WARNING: TO REDUCE THE RISK OF FIRE, ELECTRIC SHOCK OR INJURY TO PERSONS, OBSERVE THE FOLLOWING:

- A. Use this unit only in the manner intended by the manufacturer. If you have questions, contact the manufacturer.
- B. Before servicing or cleaning unit, switch power off at service panel and lock the service disconnecting means to prevent power from being switched on accidentally. When the service disconnecting means cannot be locked, securely fasten a prominent warning device, such as a tag, to the service panel.



### AVERTISSEMENT :

**POUR RÉDUIRE LE RISQUE D'INCENDIE, DE CHOC ÉLECTRIQUE OU DE BLESSURES CORPORELLES, IL FAUT OBSERVER LES REGLES SUIVANTES :**

- A. Utilisez cet appareil uniquement de la manière prévue par le fabricant. En cas de question, consultez le fabricant.
- B. Avant tout entretien, réparation ou nettoyage, coupez l'alimentation électrique au disjoncteur et verrouillez le panneau du disjoncteur pour éviter la mise sous tension accidentelle. S'il est impossible de verrouiller le panneau du disjoncteur, attachez solidement une note de mise en garde très visible, comme une étiquette, au panneau.



**CAUTION:** For General Ventilating Use Only. Do Not Use To Exhaust Hazardous Or Explosive Materials And Vapors.



**ATTENTION :** Utilisez uniquement pour une ventilation générale. N'utilisez pas pour évacuer des vapeurs ou des matériaux dangereux ou explosifs.



### WARNING: TO REDUCE THE RISK OF FIRE, ELECTRIC SHOCK OR INJURY TO PERSONS, OBSERVE THE FOLLOWING:

- A. Installation work and electrical wiring must be done by qualified person(s) in accordance with all applicable codes and standards, including fire-rated construction.
- B. Sufficient air is needed for proper combustion and exhausting of gases through the flue (chimney) of fuel burning equipment to prevent back drafting. Follow the heating equipment manufacturer's guideline and safety standards such as those published by the National Fire Protection Association (NFPA), and the American Society for Heating, Refrigeration and Air Conditioning Engineers (ASHRAE), and the local code authorities.
- C. When cutting or drilling into wall or ceiling, do not damage electrical wiring and other hidden utilities.
- D. Ducted fans must always be vented to the outdoors.
  - Local codes vary. Installation of electrical connections and grounding must comply with applicable codes. In the absence of local codes, the vent should be installed in accordance with National Electrical Code ANSI/NFPA 70-1990 or latest edition.

# Installation Instructions



## **AVERTISSEMENT :** AFIN DE RÉDUIRE LE RISQUE D'INCENDIE, DE CHOCS ÉLECTRIQUES OU DE BLESSURES CORPORELLES, VEUILLEZ VOUS CONFORMER AUX RECOMMANDATIONS SUIVANTES :

- A. L'installation et le câblage doivent être faits par une ou des personnes qualifiées et en conformité à tous les codes et normes applicables, y compris les normes en matière de coupe-feu.
  - B. Le tirage d'air doit être suffisant pour permettre une combustion adéquate et l'évacuation par le conduit (cheminée) des gaz de l'équipement de combustion afin de prévenir le refoulement. Conformez-vous aux lignes directrices du fabricant de l'équipement de chauffage et aux normes de sécurité, comme celles publiées par l'association nationale contre les incendies (National Fire Protection Association, NFPA) et l'association américaine des ingénieurs en appareils de chauffage, de réfrigération et de climatisation (American Society for Heating, Refrigeration and Air Conditioning Engineers, ASHRAE), ainsi qu'aux codes des autorités de votre région.
  - C. Lorsque vous percez ou coupez les murs ou les plafonds, prenez soin de ne pas endommager les fils électriques ni les autres appareils qui y sont dissimulés.
  - D. Le conduit de la hotte doit toujours être ventilé vers l'extérieur.
- Les codes peuvent différer suivant les régions. L'installation des connexions électriques et de la mise à la terre doit se conformer aux codes applicables. En l'absence de code électrique, l'installation de l'évent doit se faire en conformité à la norme ANSI/NFPA 70-1990 du code national de l'électricité (National Electrical Code) ou à son édition la plus récente.



**CAUTION:** To reduce risk of fire and to properly exhaust air, be sure to duct air outside. Do not vent exhaust air into spaces within walls or ceilings or into attics, crawl spaces or garages.



**ATTENTION :** Il faut prendre soin d'installer un conduit vers l'extérieur pour réduire le risque d'incendie et pouvoir évacuer l'air correctement. Il ne faut pas évacuer l'air dans l'espace entre les parois d'un mur, un plafond ou un grenier, un espace sanitaire ou un garage.



## **WARNING:** TO REDUCE THE RISK OF A RANGE TOP GREASE FIRE:

- A. Never leave surface units unattended at high settings. Boilovers cause smoking and greasy spillovers that may ignite. Heat oils slowly on low or medium settings.
- B. Always turn hood ON when cooking at high heat or when flambing food (i.e. Crepes Suzette, Cherries Jubilee, Peppercorn Beef Flambé).
- C. Clean ventilating fans frequently. Grease should not be allowed to accumulate on fan or filter.
- D. Use proper pan size. Always use cookware appropriate for the size of the surface element.



## **AVERTISSEMENT :** AFIN DE RÉDUIRE LE RISQUE D'UN FEU DE FRITURE SUR LA CUISINIÈRE :

- A. Ne laissez jamais sans surveillance les éléments de cuisson de votre cuisinière lorsqu'ils sont réglés à une température élevée. Les débordements causeront de la fumée et les éclaboussures de graisse peuvent prendre feu. Faites chauffer les huiles lentement à une température basse ou moyenne.
- B. Mettez toujours la hotte en marche lorsque vous cuisinez à une température élevée ou lorsque vous faites flamber des aliments (p. ex., crêpes Suzette, cerises jubilé, flambé de bœuf au poivre).
- C. Nettoyez la hotte de ventilation régulièrement. Évitez de laisser la graisse s'accumuler dans la hotte ou le filtre.
- D. Utilisez une casserole de la bonne dimension. Utilisez toujours des casseroles et des poêles d'une taille qui correspond aux éléments de la cuisinière.



## **WARNING:** TO REDUCE THE RISK OF INJURY TO PERSONS IN THE EVENT OF A RANGE TOP GREASE FIRE, OBSERVE THE FOLLOWING<sup>a</sup>:

- A. SMOTHER FLAMES with a close-fitting lid, cookie sheet or metal tray, then turn off the burner. BE CAREFUL TO PREVENT BURNS. If the flames do not go out immediately, EVACUATE AND CALL THE FIRE DEPARTMENT.
- B. NEVER PICK UP A FLAMING PAN—You may be burned.
- C. DO NOT USE WATER, including wet dishcloths or towels—a violent steam explosion will result.
- D. Use an extinguisher ONLY if:
  - 1) You know you have a Class ABC extinguisher, and you already know how to operate it.
  - 2) The fire is small and contained in the area where it started.
  - 3) The fire department is being called.
  - 4) You can fight the fire with your back to an exit.

<sup>a</sup>Based on "Kitchen Firesafety Tips" published by NFPA.



## **AVERTISSEMENT :** AFIN DE RÉDUIRE LES RISQUES DE BLESSURES CORPORELLES EN CAS D'UN FEU DE FRITURE SUR LA CUISINIÈRE, VEUILLEZ SUIVRE LES RECOMMANDATIONS SUIVANTES<sup>a</sup> :

- A. ÉTOUFFEZ LES FLAMMES à l'aide d'un couvercle ajusté, d'une tôle à biscuits ou d'un plateau métallique, puis éteignez l'élément chauffant. PRENEZ GARDE DE NE PAS VOUS BRÛLER. Si les flammes ne s'éteignent pas immédiatement, ÉVACUEZ LES LIEUX ET APPELÉZ LES POMPIERS.
- B. NE SOULEVEZ JAMAIS UNE CASSEROLE EN FEU. Vous risquez de vous brûler.
- C. N'UTILISEZ JAMAIS D'EAU, y compris de lavettes ou de serviettes mouillées. Une explosion de vapeur violente pourrait en résulter.
- D. Utilisez un extincteur SEULEMENT si :
  - 1) Vous savez que votre extincteur est de catégorie ABC et vous savez déjà comment le faire fonctionner.
  - 2) Le feu est petit et contenu à l'endroit où il a commencé.
  - 3) Les pompiers ont été appelés sur les lieux.
  - 4) Vous êtes en mesure de combattre l'incendie sachant que la sortie de secours se trouve directement derrière vous.

<sup>a</sup>Repris du « Kitchen Firesafety Tips » (conseils en cas d'incendie dans la cuisine) publié par la NFPA.

# Design Information

## CONTENTS

### Design Information

Product Clearances .....	4
Product Dimensions .....	5-7

### Advance Planning

Advance Planning .....	8
Remote Mounting of the Control (Wired).....	8
Power Supply .....	8
Duct Fittings .....	9

### Installation Preparation

Tools and Materials Required .....	10
Remove the Packaging .....	10
Parts Provided .....	11
Ductwork, Wiring Locations .....	12
Construct Ceiling Support .....	13
Remote Mounting of the Control (Wired).....	14-15

### Installation Instructions

Step 1, Install Hood Liner .....	16
Step 2, Connect Electrical.....	17
Step 3, Install Insert Sleeve .....	18
Step 4, Install Damper Plate .....	19
Step 5, Install Blower Motor.....	20
Step 6, Connect Wiring Harness .....	20
Step 7, Install Filters .....	21
Step 8, Finalize Installation .....	21

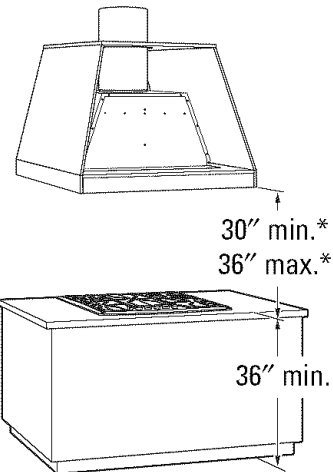
## PRODUCT CLEARANCES

The vent hood and liner assembly must be installed 30" minimum and 36" maximum above the cooking surface.

**NOTE:** Installation height should be measured from the cooking surface to the bottom edge of the metal hood liner or cabinet surface.

**NOTE:** UL requires any combustible surface to be a minimum of 30" above the cooking surface.

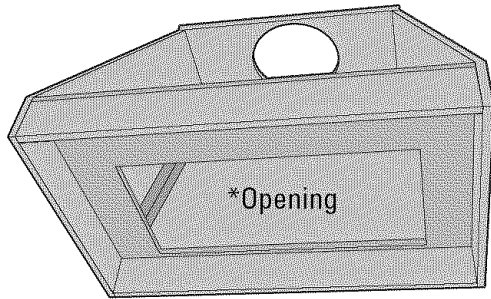
- This hood must be vented to the outdoors.
- This hood may be mounted onto a wall or installed over an island.
- This hood can be installed over any Monogram electric/gas cooktop or Monogram Professional cooktop or range of equivalent width.



# Design Information

## PRODUCT DIMENSIONS

ZVC30

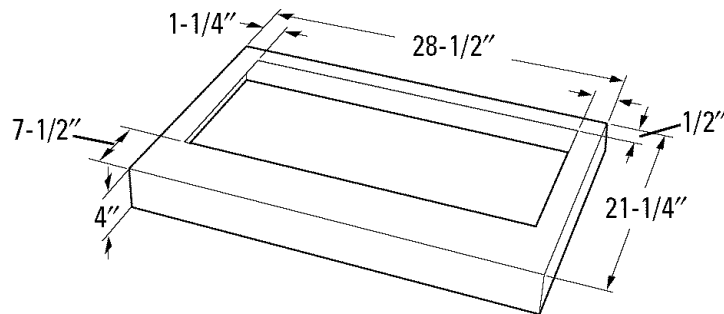


The custom canopy must be sized to fit the insert sleeve. Construct the canopy with an opening that is:

**26"W x 13-3/16"D**

The opening must be constructed of 3/4" thick material to allow the sleeve locking clips to engage.

### The Supplied Liner



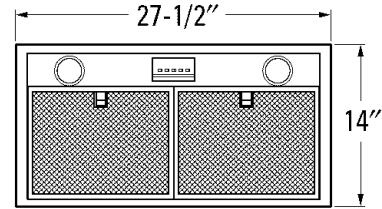
The stainless steel liner is shipped with each hood insert. This non-combustible liner protects the underside of the canopy.

### Custom Liner

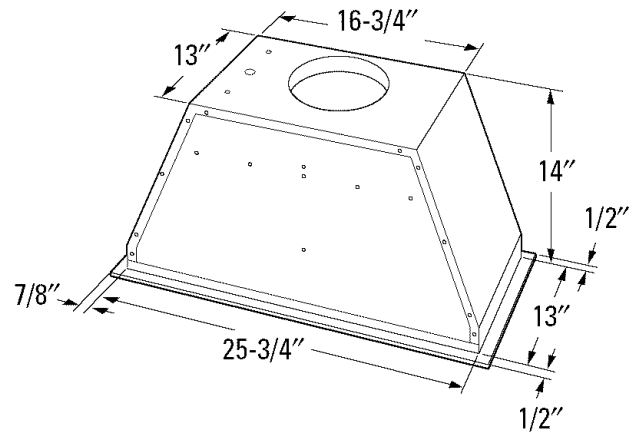
If you are not using the supplied liner, you may construct a custom non-combustible liner. Use the supplied liner as a template. **The opening must be 26"W x 13-3/16"D.** 3/4" thick material must surround the opening to allow the sleeve locking clips to engage. The insert sleeve inside the cabinet should be positioned 1/2" from the rear wall so that the center of the 8" duct is 5-1/2" from the rear wall.

## Dimensions and Specifications (in inches)

### Outside Dimensions



### The Insert Sleeve

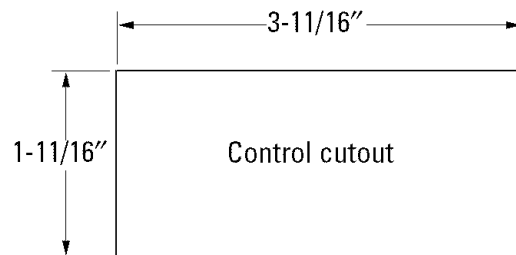


The bottom edge of the insert sleeve has a 7/8" wide flange on the sides and a 1/2" wide flange on the front and back.

### Remote Location for the Control

The control may be removed from the hood and installed into a wall or countertop. A 30-ft. length of wire is supplied to accommodate most installations. A blanking plate covers the opening when the controls are removed.

**The overall size of the control is 4-1/4" wide and 2-1/4" deep.**

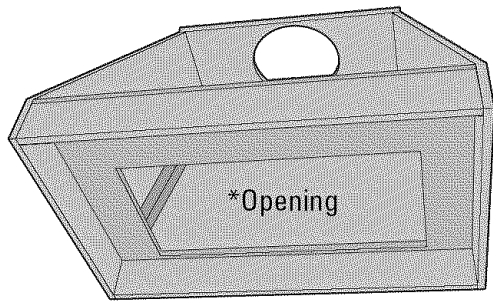


We recommend that the cutout in granite or other hard surfaces be made before the countertop is installed.

# Design Information

## PRODUCT DIMENSIONS

ZVC36

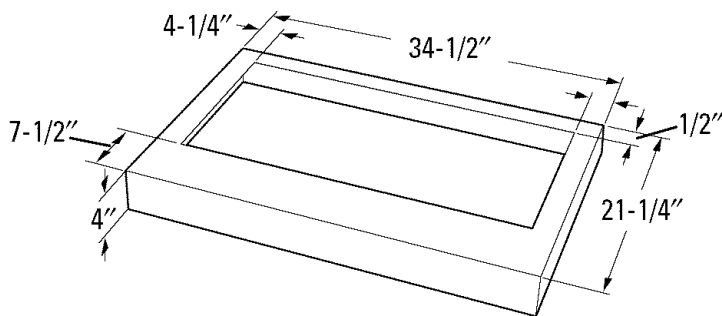


The custom canopy must be sized to fit the insert sleeve. Construct the canopy with an opening that is:

**26"W x 13-3/16"D**

The opening must be constructed of 3/4" thick material to allow the sleeve locking clips to engage.

### The Supplied Liner



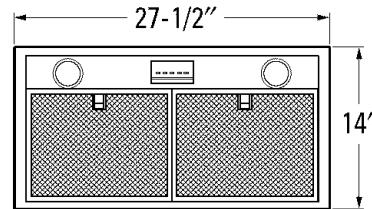
The stainless steel liner is shipped with each hood insert. This non-combustible liner protects the underside of the canopy.

### Custom Liner

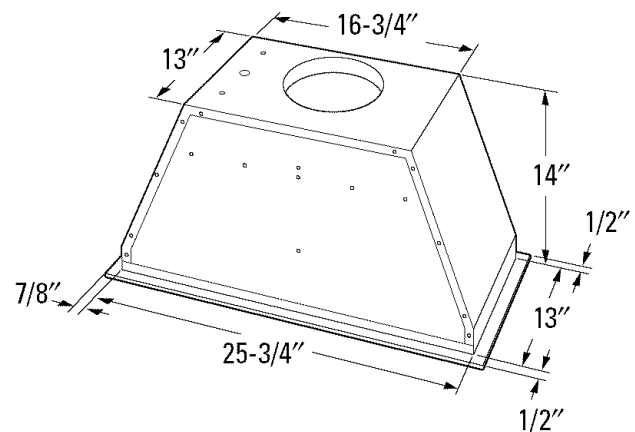
If you are not using the supplied liner, you may construct a custom non-combustible liner. Use the supplied liner as a template. **The opening must be 26"W x 13-3/16"D.** 3/4" thick material must surround the opening to allow the sleeve locking clips to engage. The insert sleeve inside the cabinet should be positioned 1/2" from the rear wall so that the center of the 8" duct is 5-1/2" from the rear wall.

## Dimensions and Specifications (in inches)

### Outside Dimensions



### The Insert Sleeve

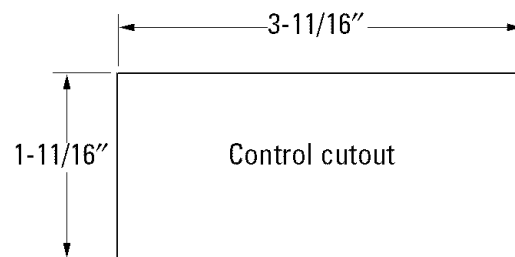


The bottom edge of the insert sleeve has a 7/8" wide flange on the sides and a 1/2" wide flange on the front and back.

### Remote Location for the Control

The control may be removed from the hood and installed into a wall or countertop. A 30-ft. length of wire is supplied to accommodate most installations. A blanking plate covers the opening when the controls are removed.

**The overall size of the control is 4-1/4" wide and 2-1/4" deep.**

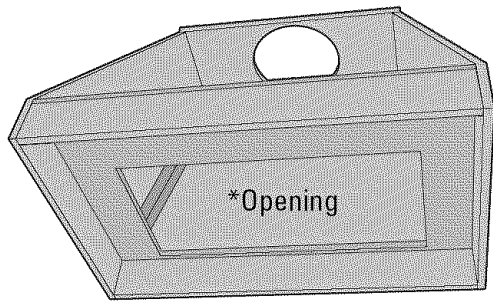


We recommend that the cutout in granite or other hard surfaces be made before the countertop is installed.

# Design Information

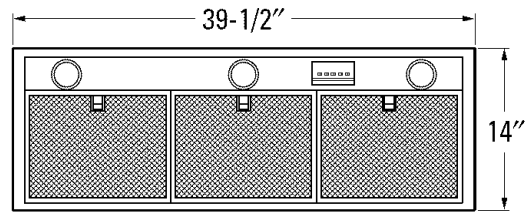
## PRODUCT DIMENSIONS

ZVC48

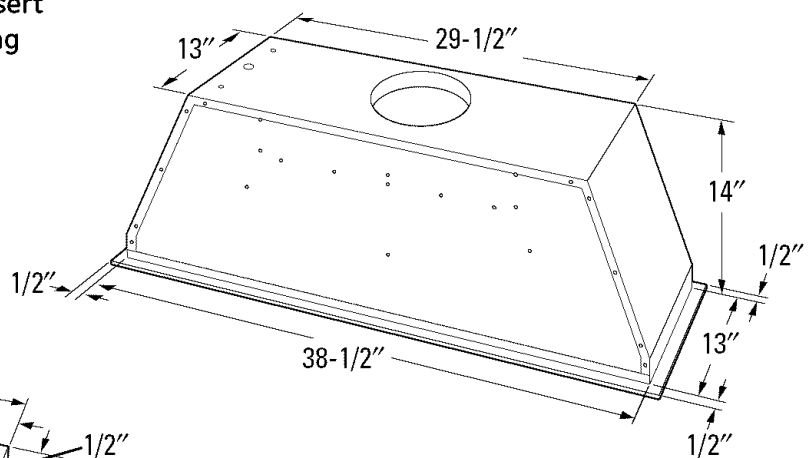


Dimensions and Specifications (in inches)

### Outside Dimensions



### The Insert Sleeve

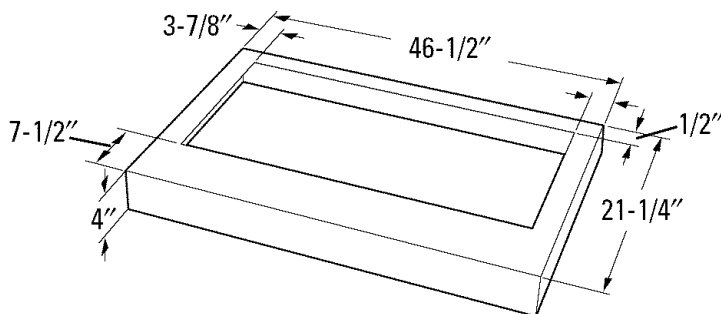


The custom canopy must be sized to fit the insert sleeve. Construct the canopy with an opening that is:

**38-3/4"W x 13-3/16"D**

The opening must be constructed of 3/4" thick material to allow the sleeve locking clips to engage.

### The Supplied Liner



The stainless steel liner is shipped with each hood insert. This non-combustible liner protects the underside of the canopy.

### Custom Liner

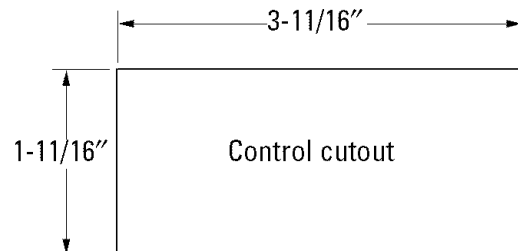
If you are not using the supplied liner, you may construct a custom non-combustible liner. Use the supplied liner as a template. **The opening must be 38-3/4"W x 13-3/16"D.** 3/4" thick material must surround the opening to allow the sleeve locking clips to engage. The insert sleeve inside the cabinet should be positioned 1/2" from the rear wall so that the center of the 8" duct is 5-1/2" from the rear wall.

A 1/2" wide flange surrounds the outside edge of the insert sleeve.

### Remote Location for the Control

The control may be removed from the hood and installed into a wall or countertop. A 30-ft. length of wire is supplied to accommodate most installations. A blanking plate covers the opening when the controls are removed.

**The overall size of the control is 4-1/4" wide and 2-1/4" deep.**



We recommend that the cutout in granite or other hard surfaces be made before the countertop is installed.

# Advance Planning

## ADVANCE PLANNING

### Ductwork Planning

- This hood is equipped for 8" round ductwork.
- Determine the exact location of the vent hood.
- Plan the route for venting exhaust to the outdoors. This hood is not designed for a recirculating venting operation.
- Use the shortest and straightest duct route possible. For satisfactory performance, duct run should not exceed 100 ft. equivalent length for any duct configurations.
- Refer to "Duct Fittings" chart to compute the maximum permissible length for duct runs to the outdoors.
- Use rigid metal ductwork only.
- Install a wall or roof cap with damper at the exterior opening. Order the cap and any transitions needed in advance.

### Wall and Ceiling Framing for Adequate Support

This vent hood is heavy and the cabinet structure needs to support the weight of the loaded insert sleeve. Adequate structural support must be provided in all types of installations.

- Installation will be easier if the vent hood is installed before the cooktop is installed.

### Custom Cabinet Frame Planning

- The custom-built canopy should be sized to accommodate the hood insert, and ducting dimensions in the bottom of cabinet should be 26" W by 13-3/16" D for the 30" and 36" models and 38-3/4" W by 13-3/16" D for the 48" models.

### Remote Mounting of the Control (Wired)

- The control can be remotely mounted on the wall or the countertop.
- It is recommended that you use a professional installer for the countertop cutout.
- It is recommended that the cutout in a granite countertop or other hard surface be made before the countertop is installed.
- The cutout needs to be made at least 6 inches from the edges of the countertop.
- If mounting in the countertop above a drawer, consideration must be given to the depth of the control mounting assembly.
- A 30 ft. wire cord is provided. Careful consideration must be given to the location of the remotely mounted control.
- It is recommended that the 4-wire cord be routed through 1" conduit between the insert sleeve and the remote mounting location.

## POWER SUPPLY

IMPORTANT - (Please read carefully)



### WARNING:

FOR PERSONAL SAFETY, THIS APPLIANCE MUST BE PROPERLY GROUNDED.



**AVERTISSEMENT :** POUR DES RAISONS DE SÉCURITÉ, CET APPAREIL DOIT ÊTRE CORRECTEMENT MIS À LA TERRE.

Remove house fuse or open circuit breaker before beginning installation.

Do not use an extension cord or adapter plug with this appliance. Follow National electrical codes or prevailing local codes and ordinances.

### Electrical Supply

This vent hood must be supplied with 120V, 60Hz, and connected to an individual, properly grounded branch circuit, and protected by a 15 or 20 amp circuit breaker or time delay fuse.

- Wiring must be 2 wire with ground.
- If the electrical supply does not meet the above requirements, call a licensed electrician before proceeding.
- Route house wiring as close to the installation location as possible, in the ceiling or back wall.
- Connect the hood wiring to the house wiring in accordance with local codes.
- House wiring must extend to 45" minimum from bottom of cabinet in order to make connection to hood wiring.

### Grounding Instructions

The grounding conductor must be connected to a grounded metal, permanent wiring system, or an equipment-grounding terminal or lead on the hood.



**WARNING:** The improper connection of the equipment-grounding conductor can result in a risk of electric shock. Check with a qualified electrician or service representative if you are in doubt whether the appliance is properly grounded.



### AVERTISSEMENT :

Le mauvais branchement du fil de mise à la terre peut causer un choc électrique. En cas de doute, consultez un électricien qualifié ou un technicien pour déterminer si l'appareil est à la terre.



# Advance Planning

## DUCT FITTINGS

Use this chart to compute maximum permissible lengths for duct runs to outdoors.

**NOTE:** Do not exceed maximum permissible equivalent lengths!

**Maximum duct length:  
100 foot for 8" round duct**





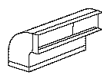
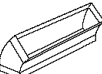
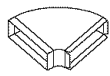
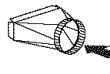
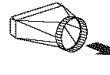
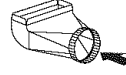
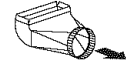
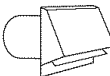
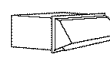

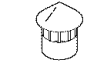
### Flexible ducting:

If flexible metal ducting is used, all the equivalent feet values in the table should be doubled. The flexible metal duct should be straight and smooth and extended as much as possible.

DO NOT use flexible plastic ducting.

**NOTE:** Any home ventilation system, such as a ventilation hood, may interrupt the proper flow of combustion air and exhaust required by fireplaces, gas furnaces, gas water heaters and other naturally vented systems. To minimize the chance of interruption of such naturally vented systems, follow the heating equipment manufacturer's guidelines and safety standards such as those published by NFPA and ASHRAE.

**This Hood Must Use an  
8" Round Duct.**

Duct Piece	Dimensions	Equivalent Length*	Quantity Used	Total Equivalent Length
	Round, straight	1 ft. (per foot length)		
	3-1/4" x 12" 3-1/4" x 24" straight	1 ft. (per foot length)		
	8" round 90° elbow	17 ft.		
	8" round 45° elbow	10 ft.		
	3-1/4" x 10" 3-1/4" x 12" 90° elbow	14 ft. 15 ft.		
	3-1/4" x 10" 3-1/4" x 12" 45° elbow	8 ft. 9 ft.		
	3-1/4" x 10" 3-1/4" x 12" 90° flat elbow	33 ft. 36 ft.		
	8" to 3-1/4" x 10" 8" to 3-1/4" x 12" or 3-1/4" x 10" transition	2 ft. 2 ft. 2 ft.		
	3-1/4" x 10" to 8" 3-1/4" x 12" to 8" round transition	2 ft. 2 ft.		
	8" to 3-1/4" x 10" 8" to 3-1/4" x 12" transition 90° elbow	7 ft. 6 ft.		
	3-1/4" x 10" to 8" 3-1/4" x 12" to 8" round transition 90° elbow	5 ft. 5 ft.		
	8" round wall cap with damper	32 ft. with damper		
	3-1/4" x 12" wall cap with damper	26 ft. with damper		
	8" round roof cap	44 ft.		
	3-1/4" x 10" wall cap w/ damper round roof vent	24 ft.		

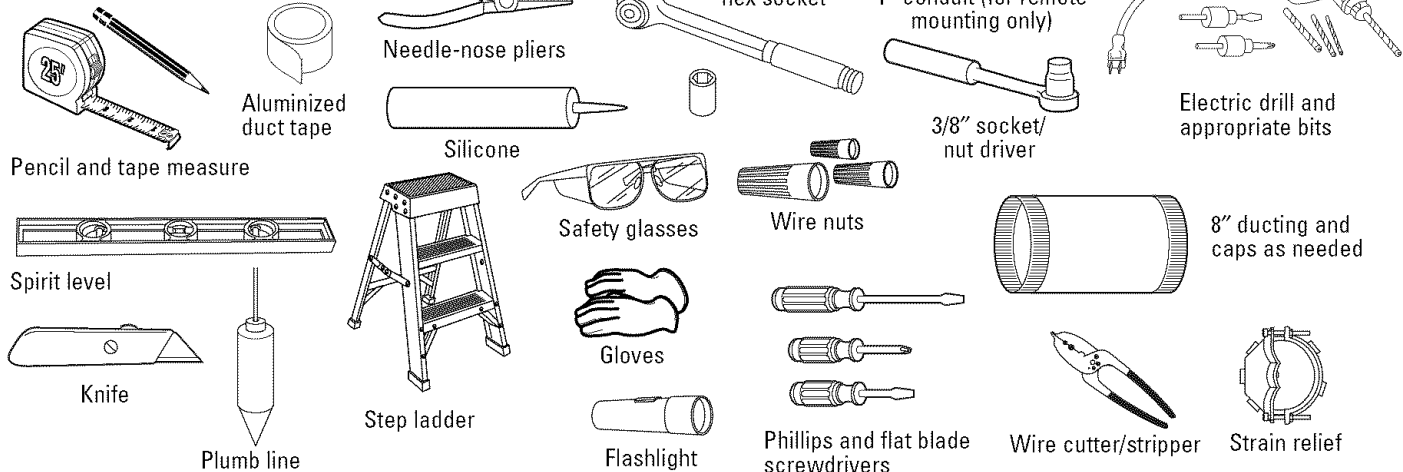
Total Duct Run \_\_\_\_\_

\*Actual length of straight duct plus duct fitting equivalent. Equivalent length of duct pieces are based on actual tests conducted by GE Evaluation Engineering and reflect requirements for good venting performance with any ventilation hood.

# Installation Preparation

## TOOLS AND MATERIALS REQUIRED

(NOT SUPPLIED)



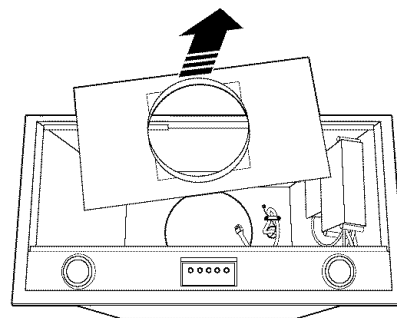
## REMOVE THE PACKAGING

**⚠ CAUTION:** Wear gloves to protect against sharp edges.

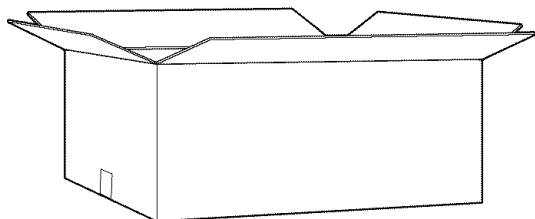
**⚠ ATTENTION :** Portez des gants pour éviter les blessures causées par les tranchants.

**⚠ CAUTION:** LIFT THE INSERT SLEEVE OUT OF THE BOX BY GRASPING THE SIDES.

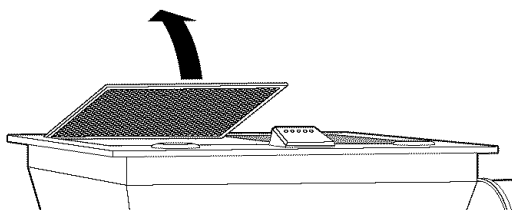
**⚠ ATTENTION :** SOULEVEZ LE MANCHON INTÉRIEUR DE LA BOÎTE EN SAISISANT SES CÔTÉS.



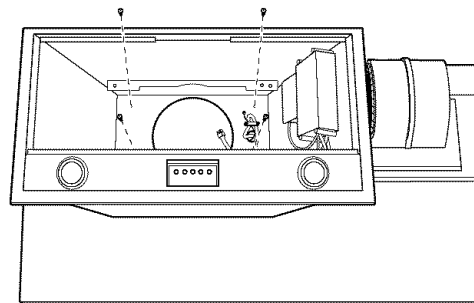
4. Unscrew the 5 nuts securing the damper vent plate assembly, and remove it from the insert sleeve. Set the 5 nuts and the damper vent plate assembly aside, as you will be re-installing it later in the installation process.



1. Open hood carton.
2. Remove the liner, foam and cardboard.



3. Remove the tape securing the filters to the insert sleeve, lift the tabs and remove the filters.



5. Remove the screws attaching the insert sleeve to the mounting board. Discard the screws.
6. Grasp the insert sleeve by the outside edges, and lift straight up and out of the carton.  
**NOTE:** Do not lift the insert sleeve by the blower motor.
7. Remove and properly discard the plastic wrapping.
8. Remove the parts box and other packaging.

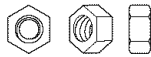
# Installation Preparation

## PARTS PROVIDED

Locate the parts packed with the hood.

### CHECK INSTALLATION HARDWARE

Count screws/  
components. Screws  
shown actual size.



5 nuts for damper plate  
assembly  
(not located in hardware  
bag—you must save nuts  
when you remove damper  
plate from inset hood  
while unpacking parts)



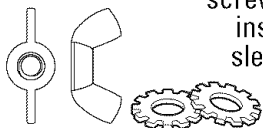
6 wood  
screws for  
hood liner



8 wood  
screws for  
insert  
sleeve

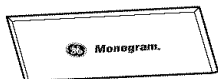


6 insert sleeve chassis  
plugs, 1 (optional) house  
wire hole plug, 2 rubber  
grommets, 4 insert sleeve  
washers



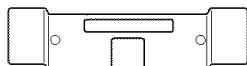
2 wing nuts  
with lock  
washers for  
blower motor

### REMOTE MOUNTING OF THE CONTROL (WIRED)

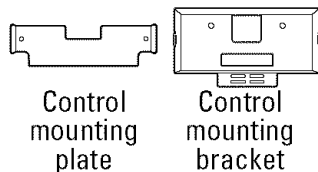


Blanking plate for  
remote control  
opening\*

\*NOTE: To be used  
on custom hood  
when controls are  
remotely mounted.

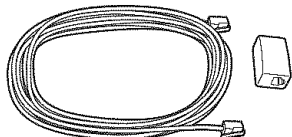


Control wall bracket



Control  
mounting  
plate

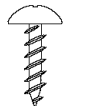
Control  
mounting  
bracket



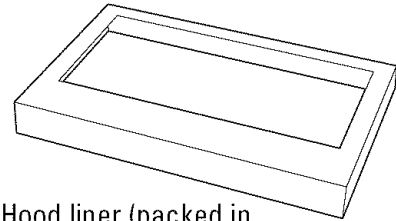
30 ft. of 4-wire cord  
(straight-pinned)  
with connector  
**NOTE:** Not for  
telecommunications  
(telephone) network.



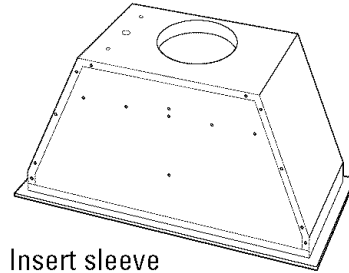
2 mounting plate  
screws



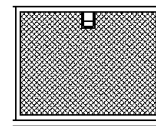
2 wall  
bracket  
screws



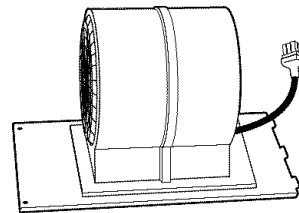
Hood liner (packed in  
separate carton)



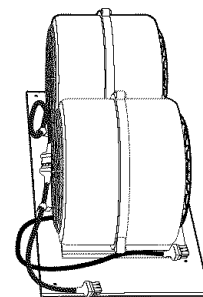
Insert sleeve



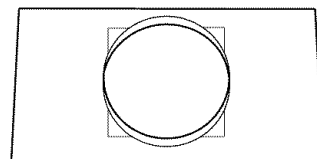
Filters



Blower motor  
(Models ZVC30LSS and ZVC36LSS)



Dual blower motor  
(Model ZVC48LSS)



Damper plate

# Wall Installation Preparation

## DUCTWORK, WIRING LOCATIONS

Determine the exact location of the insert sleeve. Mark the exact centerline location.

The ceiling structure must be capable of supporting the weight of the insert sleeve (approximately 100 pounds) and any inadvertent user contact loads.

- Measure from the top of the cooking surface to the bottom edge of the insert sleeve. Add insert sleeve installation height. Mark that location.
- Use a level to draw a straight horizontal pencil line on the wall.

**NOTE: House duct should drop to 11-1/2" above bottom edge of insert sleeve.**

Location of house duct is important because it must align with vent of damper plate assembly.

### Ceiling ducting:

If ductwork will vent straight up to the ceiling:

- Use a level to draw a centerline straight up to the ceiling.
- On the ceiling, measure 5-1/2" from the back wall to the centerline of an 8-1/2" hole.

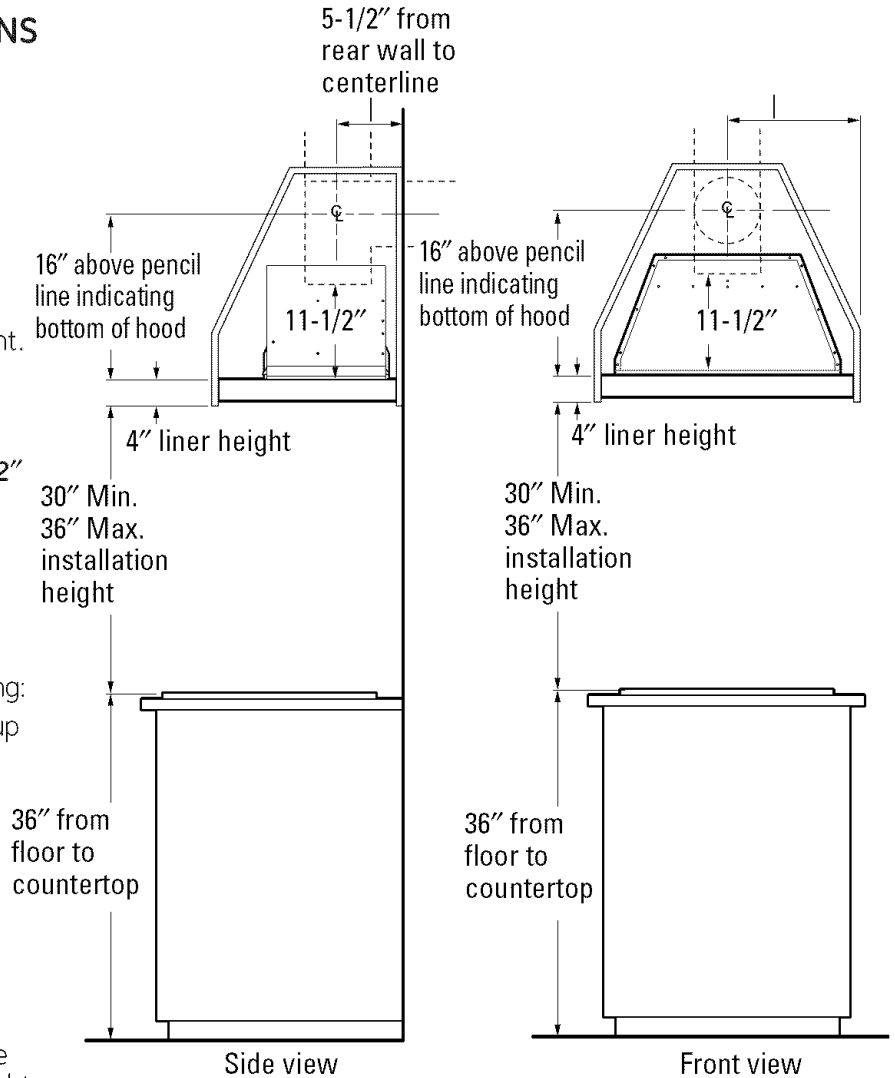
### Wall Ducting:

If ductwork will vent to the rear:

- Use a level to draw a centerline straight up to the ceiling.
- Measure at least 16" above the pencil line that indicates the bottom installation height, to the centerline of an 8-1/2" dia. duct hole. (Hole may be elongated for duct elbow.)

### HOUSE WIRING LOCATION:

- The junction box is located inside the top left side of the hood.
- Wiring should enter the back wall at least 15" above the bottom of the insert sleeve, and within 6" of the left side of the centerline.



# Island Installation Preparation

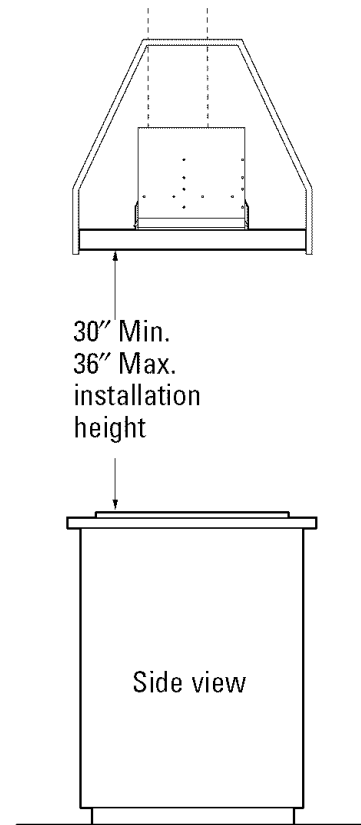
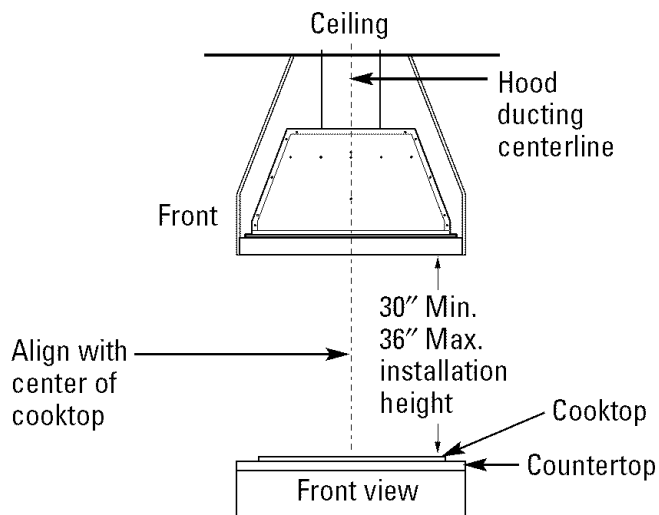
## CONSTRUCT CEILING SUPPORT (for Island Installation)

### Plan the Location of the Hood and Ductwork

The ceiling structure must be capable of supporting the weight of the insert sleeve (approximately 100 pounds) and any inadvertent user contact loads.

- Use a plumb bob to check the location. The countertop/cooktop below the insert sleeve must be centered with the insert sleeve.
- The insert sleeve in the ceiling must be centered left to right over the cooktop.

- The insert sleeve in the ceiling must be centered left to right over the cooktop.



# Installation Preparation

## REMOTE MOUNTING OF THE CONTROL (WIRED)

**⚠ WARNING:** Disconnect electrical power from unit before beginning remote control installation. Failure to do so could result in personal injury or damage to the electrical controls.

**⚠ AVERTISSEMENT :** Il faut débrancher l'alimentation électrique de l'appareil avant de commencer l'installation de la commande à distance. Il faut suivre cette directive pour éviter des blessures ou endommager les commandes électriques.

## REMOTE LOCATION FOR CONTROL

The control can be removed from the hood and installed in a backsplash or countertop.

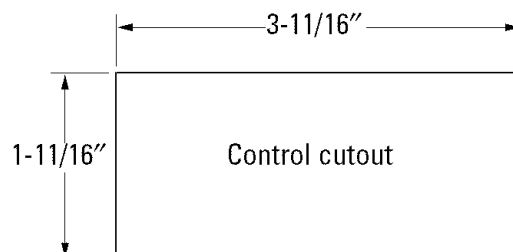
- A cover plate is provided to cover the opening in the hood when the control is removed.
- A 30-ft. length of 4-wire cord is supplied to accommodate most installations. Because only 30-ft. of cord is provided, careful consideration must be given to the location of the remotely mounted control.

**NOTE: Not for telecommunication (telephone) network.**

- The cord must be routed through the holes in the insert sleeve, and the rubber grommets put into place around the cord.

**NOTE: On the ZVC30 and ZVC36 models, the cord needs to be routed through the holes in the insert sleeve before the damper plate is installed.**

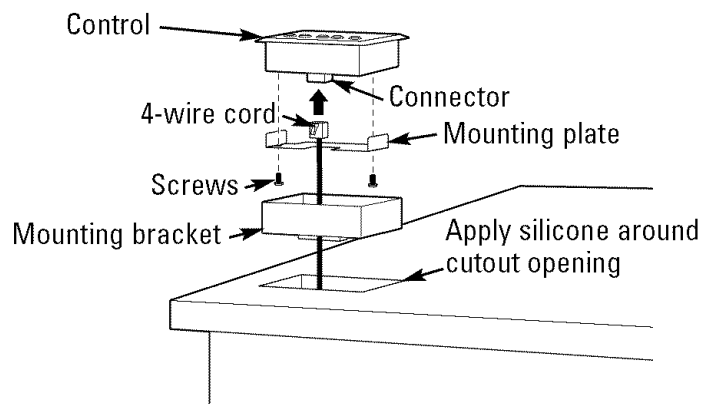
- Route the cord through the conduit to reach the installation location of the control.



# Installation Preparation

## REMOTE MOUNTING OF THE CONTROL (WIRED) (CONT.)

### COUNTERTOP

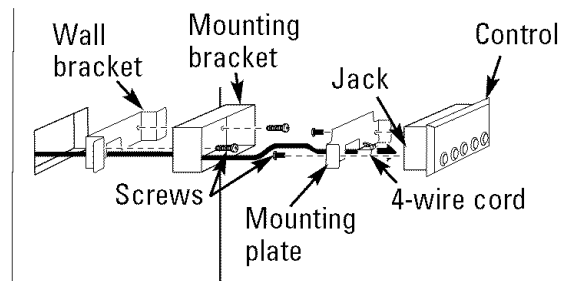


1. Cut out opening in the countertop. Cutout dimensions are 1-11/16" x 3-11/16".
2. Loosen the 4 thumbscrews and remove the control from the insert sleeve. Replace the control with the blanking plate provided.
3. Attach the mounting plate to the back of the control with the 2 mounting plate screws.
4. Pull the 4-wire cord through the opening in the countertop, and through the back of the mounting bracket.

**NOTES: Use provided cable or cable designated by the National Electrical Code, NFPA/ANSI 70, or local codes. Not for telecommunication (telephone) network.**

5. Connect the 4-wire cord to the jack of the connector on the control.
6. Press the control firmly into the mounting bracket so that the clips engage.
7. Apply silicone around the cutout opening.
8. Insert the control into the cutout opening.

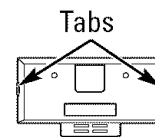
### WALL MOUNT



1. Cut out opening into the wall surface. Cutout dimensions are 1-11/16" x 3-11/16".
2. Loosen the 4 thumbscrews and remove the control from the insert sleeve. Replace the control with the blanking plate provided.
3. Attach the mounting plate to the back of the control with the 2 mounting plate screws.
4. Pull the 4-wire cord through the opening in the wall, the wall bracket and the back of the mounting bracket.

**NOTE: Use provided cable or cable designated by the National Electrical Code, NFPA/ANSI 70, or local codes. Not for telecommunication (telephone) network.**

5. Connect the mounting bracket to the wall bracket using the two wall bracket screws. Only start the first 1-2 threads of the screws into the wall, as you want to leave a gap between the two brackets to account for the wall thickness.
6. Raise the tabs on the mounting bracket so the bracket will fit through the wall opening.
7. Angle the mounting and wall brackets and slide them through the wall cutout.

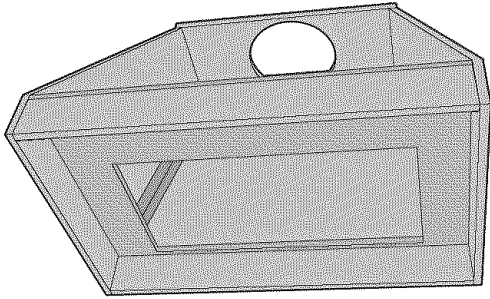


**NOTE: Attach a string to the brackets, so you can retrieve them from behind the wall if dropped.**

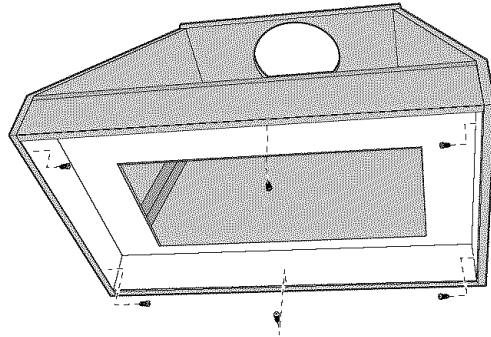
8. Flatten tabs on mounting bracket so they are flush with the wall surface, and tighten the wall bracket screws to pull the wall bracket flanges flush with the backside surface of the wall.
9. Connect the 4-wire cord to the jack of the connector on the control.
10. Press the control firmly into the mounting bracket so that the clips engage.

# Installation Instructions

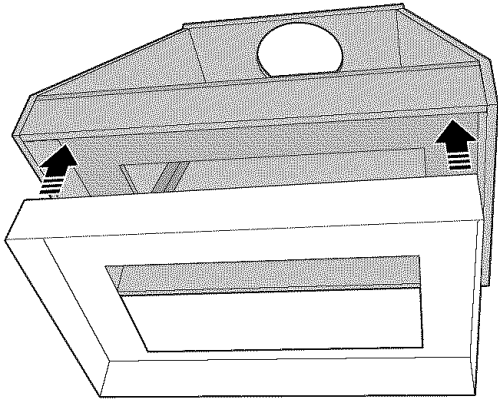
## STEP 1 INSTALL HOOD LINER



1. Frame the cutout opening to fit the liner.  
**NOTE: The opening support must be 3/4" thick wood to accept the liner installation screws.**



3. Secure the liner to the cabinet with 6 screws provided.



2. Slide the liner up and into the opening until flush with bottom edges.



# Installation Instructions

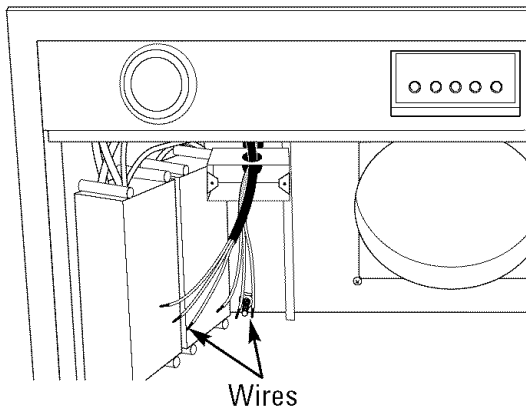
## STEP 2 CONNECT ELECTRICAL

Verify that power is turned off at the source.

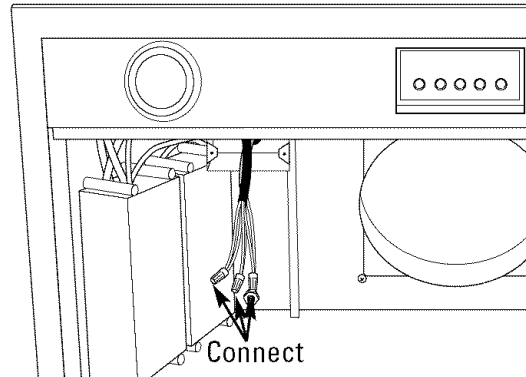
**⚠ WARNING:** If house wiring is not 2-wire with a ground wire, an electrician will need to convert existing wiring to meet these specs. When house wiring is aluminum, be sure to use U.L. approved anti-oxidant compound and aluminum-to-copper connectors.

**⚠ AVERTISSEMENT :**  
Si le câblage de la maison n'est pas un câblage à deux fils avec un fil de terre, un électricien doit convertir votre câblage existant à ces caractéristiques techniques. Si le câblage de votre maison est en aluminium, assurez-vous d'utiliser un composé anti-oxydant approuvé et des raccords aluminium à cuivre.

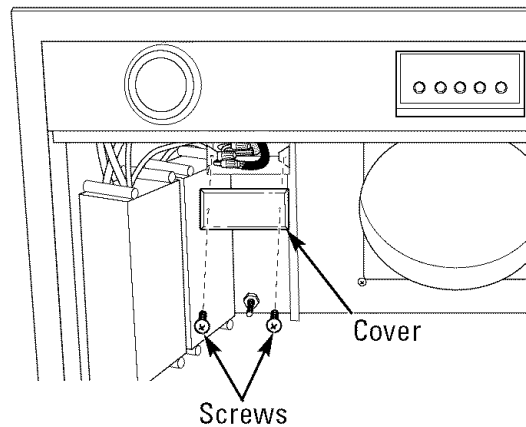
1. Place insert sleeve on padded, yet stable, surface below cutout (can use flattened carton to pad surface).
2. Remove the junction box cover.



3. Pull house wires through wall of insert sleeve and attach the strain relief. Thread the house wire through the junction box.



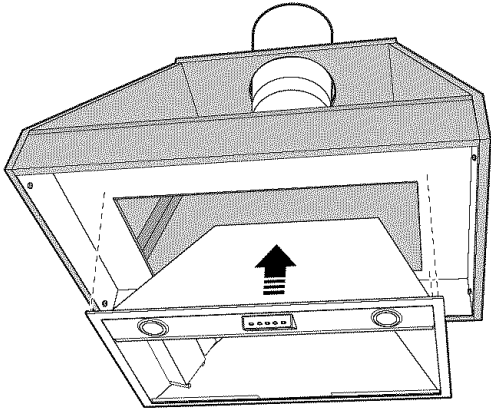
4. Connect white leads to branch circuit white lead.
5. Connect black leads to branch circuit black lead.
6. Connect green/yellow leads to branch circuit green lead.
7. Secure all connections with wire nuts on each electrical connector.



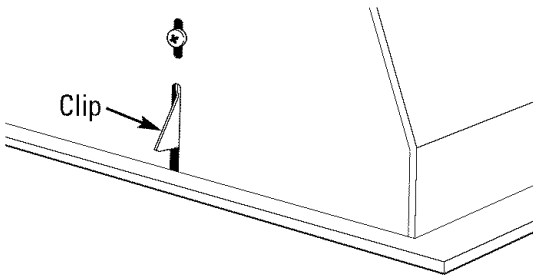
8. Carefully push wires into junction box and replace cover.
9. Secure junction box cover with original screws.

# Installation Instructions

## STEP 3 INSTALL INSERT SLEEVE

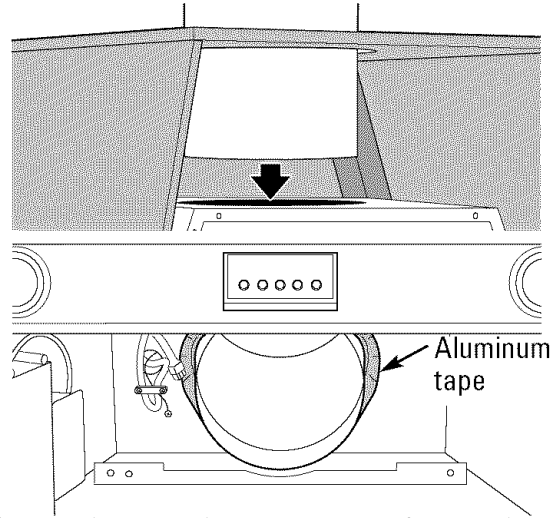


1. Tuck the house wiring out of the way.
2. Install the insert sleeve into the cutout opening of custom cabinet frame.



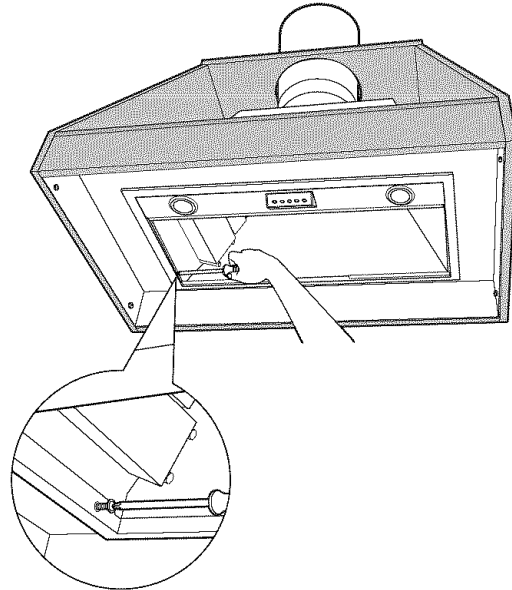
3. Push the insert sleeve straight up through the cutout opening until the temporary locking clips engage. The locking clips are designed to hold the insert sleeve in place until it is secured with screws.

**NOTE:** The locking clips are not designed to support all of the weight of the insert sleeve. Do not leave the insert sleeve unattended until screws have been inserted.



4. Align 8" duct to exhaust opening of insert sleeve and seal with aluminum tape.

**NOTE:** House duct should drop to 11-1/2" above bottom edge of insert sleeve or the bottom of the 3/4" cabinet base.

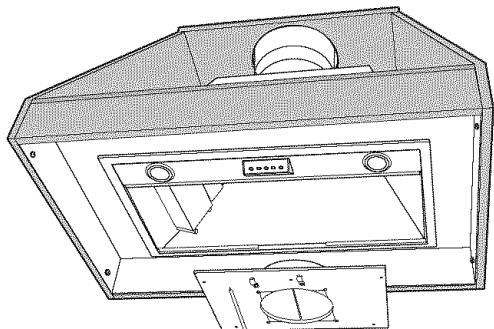


5. Tape the 4 washers in place over the outside of the 4 front and back holes of the insert sleeve. The washers are designed to be located between the insert sleeve and the 3/4" cabinet surface.
6. Press the sleeve up firmly and secure with the 8 screws provided. The insert sleeve should be flush with the liner and have no visible gaps.

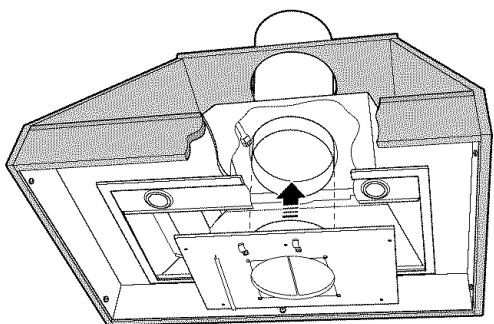
**NOTE:** It is IMPORTANT to install front mounting screw. The front screw hole is difficult to see and may require you to place your head into the cutout opening to locate.

# Installation Instructions

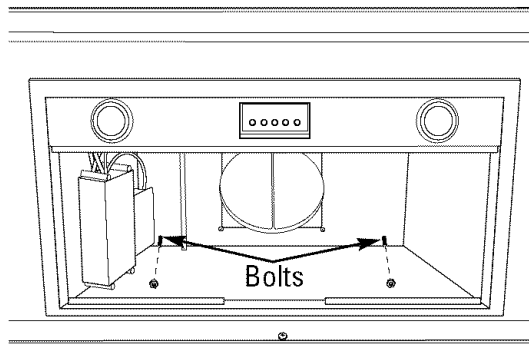
## STEP 4 | INSTALL DAMPER PLATE



1. Pick up damper plate assembly and rotate so that vent side is up and bracket is located on left as you stand facing hood.



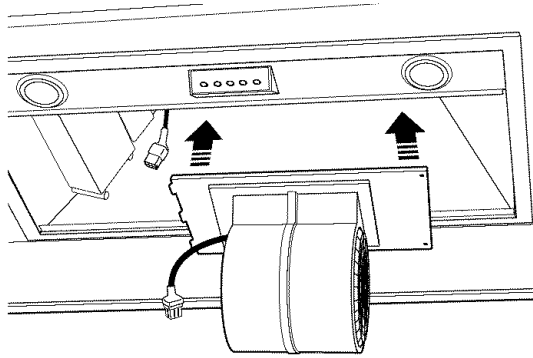
2. Insert damper plate assembly into insert sleeve and carefully align with 8" house duct.



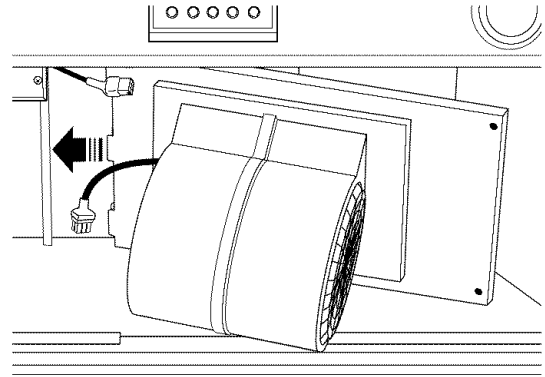
3. Secure damper plate assembly by placing nuts on bolts and tightening with socket or wrench.

# Installation Instructions

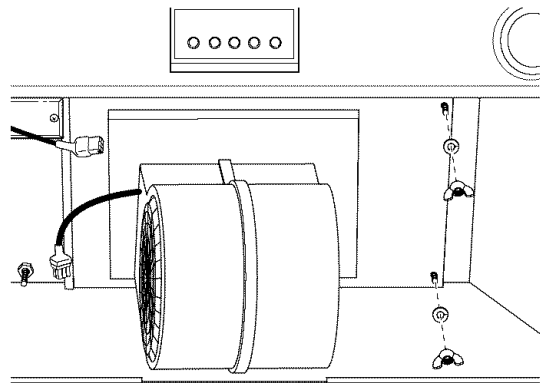
## STEP 5 INSTALL BLOWER MOTOR



1. Pick up blower motor and rotate so tabs align with damper plate bracket.
2. Insert blower motor into insert sleeve through cutout opening of custom cabinet frame.



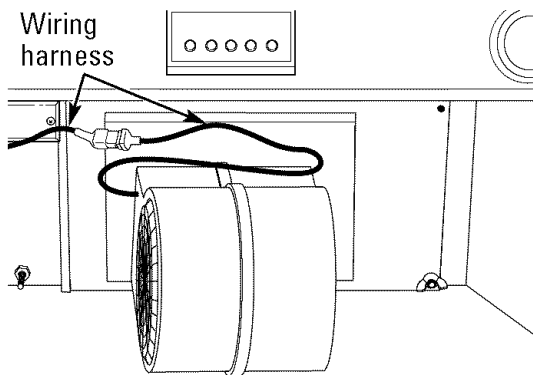
3. Place blower motor on damper plate assembly by sliding blower motor tabs into slots of damper plate assembly.



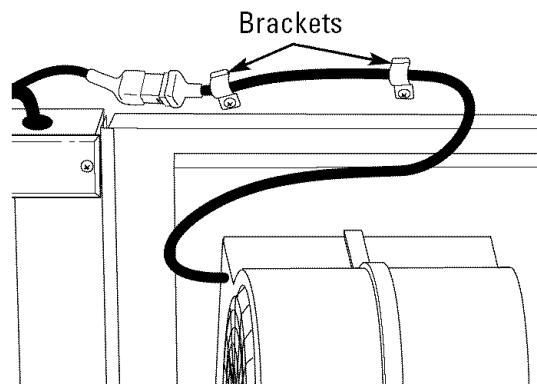
4. While holding blower motor in place, lift right side so that blower motor bolt holes align with bolts protruding from damper plate assembly and secure with lock washers and wing nuts (hand tighten).

## STEP 6 CONNECT WIRING HARNESS

**NOTE:** On ZVC48, there are three routing clips and two wiring harnesses to connect.



1. Locate both ends of wiring harness.
2. Connect wiring harness by inserting male into female opening.

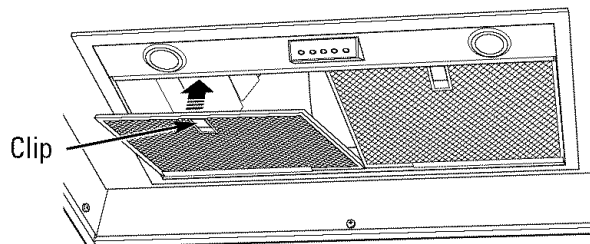


3. Carefully route wiring harness and ground wire through two clips attached to blower plate assembly.

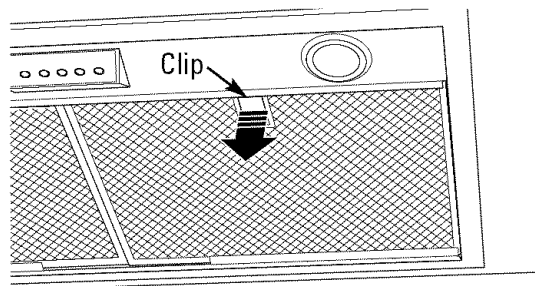
# Installation Instructions

## STEP 7 INSTALL FILTERS

1. Remove protective film from the filters.



2. Tip the filter into the back tab slots and lift up. While maintaining slight backward pressure on filter, open clip and press into place with two hands.



3. To remove, support filter with one hand while pulling filter clip down with the other.

## STEP 8 FINALIZE INSTALLATION

1. Check to be sure all tape and packaging materials have been removed.
2. Refer to Owner's Manual for operating instructions.

# Notes

---

# Notes

---

**Note:** While performing installations described in this book, safety glasses or goggles should be worn.

*For Monogram® local service in your area, call 1.800.444.1845.*

**Note:** Product improvement is a continuing endeavor at General Electric. Therefore, materials, appearance and specifications are subject to change without notice.



**Monogram.®**

*GE Consumer & Industrial  
GE Appliances  
General Electric Company  
Louisville, KY 40225  
ge.com  
©2006 GE Company*