

IMPORTANT: Read and save these instructions.

Washer & Dryer Pedestal Kit

NOTICE! This kit is intended to be installed by persons having electrical and mechanical training and a level of knowledge considered acceptable in the appliance repair trade.

Your safety and the safety of others are very important. Many important safety messages are provided in these instructions and on your appliance. Always read and obey all safety messages.

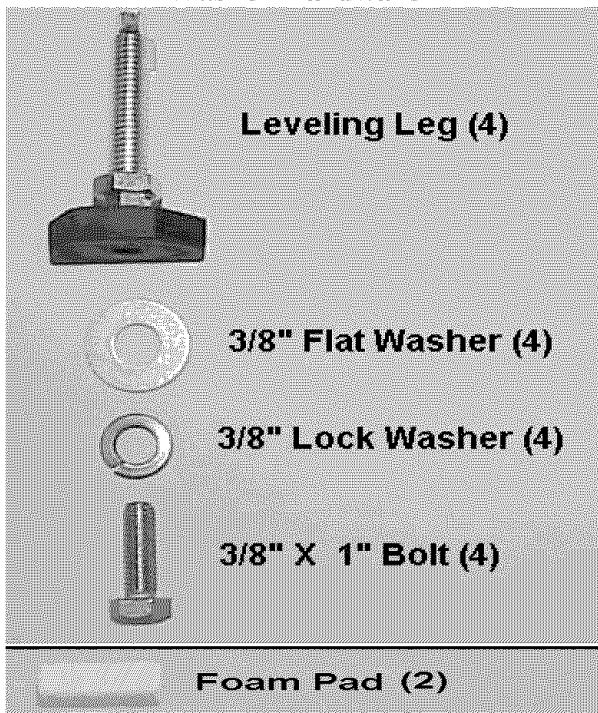
! WARNING
EXCESSIVE WEIGHT HAZARD
Two or more people may be required to move and install the washer & dryer with pedestals.
Failure to comply may cause back or other injury.

Tools needed:

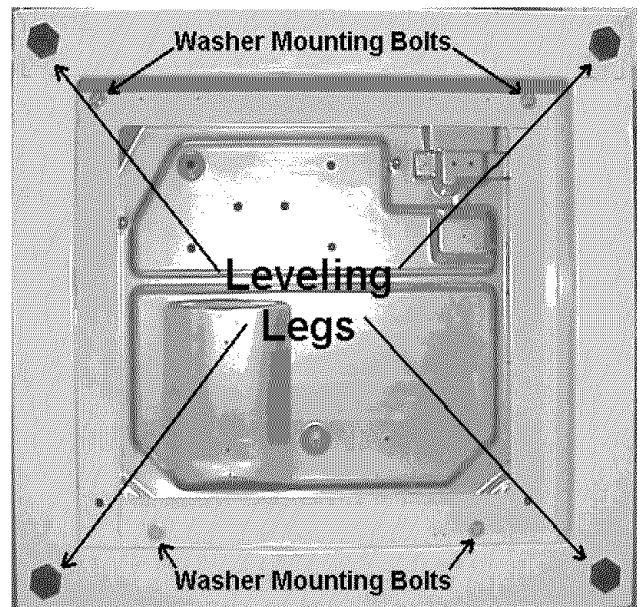
Level
9/16" open end wrench or ratchet
Channel-lock adjustable pliers
2# Phillips screwdriver
Flat blade screwdriver

WASHER INSTALLATION

Washer Hardware



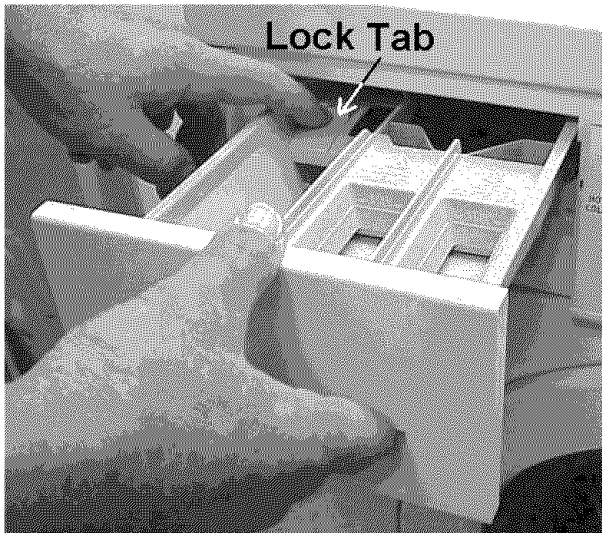
1. Remove the 24-3/8" x 27" x 12" pedestal, installation hardware and instructions from the shipping carton.
2. Using the pedestal shipping carton for protection, carefully lay the washer on its back. **NOTE:** If washer was previously installed, disconnect from power supply, remove inlet hoses from water faucets and tape the drain hose to the top front of the washer to eliminate excess water on the floor.
3. Remove the four (4) leveling legs from the washer base and discard.
4. If the washer has rollers, remove the four (4) screws securing the rollers to the base.
5. Install the four (4) leveling legs (supplied with the kit) fully into the pedestal.
6. The words "TOP FRONT" are embossed on the top front of the pedestal. Position the pedestal so the words are up with the front of the washer. Align the pedestal mounting holes with the threaded leg holes on the washer base.



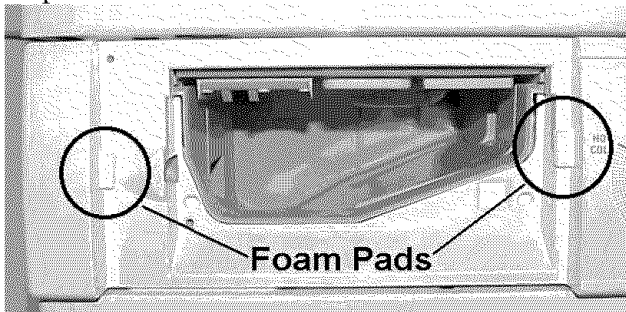
7. Attach the pedestal to the washer using the four (4) 3/8" X 1" bolts, 3/8" lock washers and 3/8" flat washers. **DO NOT TIGHTEN BOLTS COMPLETELY!**
8. Align the sides of the washer/dryer with the pedestal and tighten the bolts with a 9/16" wrench or ratchet.
9. Carefully raise the washer/pedestal assembly to the upright position. **NOTE: Because of the increased weight caused by the addition of the pedestal, two or more people may be required.**

NOTE: Disregard Steps 10 & 11 if the washer has an electronic console.

10. Remove the dispenser drawer by first sliding the safety latch to the right, then pulling the drawer out until it stops. Reach back into the left corner of the drawer cavity, press down firmly on the lock tab (left portion of the drawer) and pull out the drawer.



11. Remove the paper backing from the foam pads and apply to the areas shown below. **NOTE:** The adhesive backing must be applied to the rear surface of the drawer area. Replace the dispenser drawer.

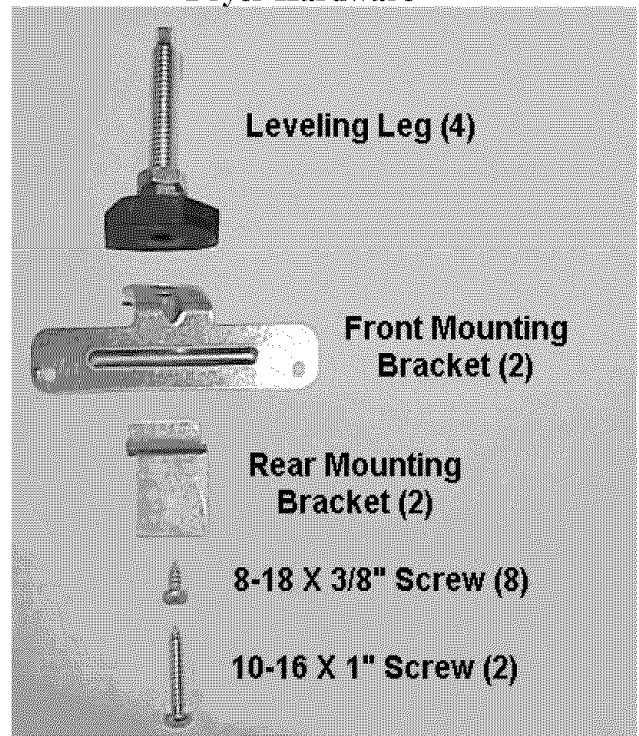


12. Refer to the installation instructions that came with the washer to properly complete water, drain and electrical connections. **NOTE:** Since the pedestal will increase the washer height 12 inches, the minimum standpipe height will increase from 24 inches to 36 inches. If questions arise, please refer to the owner's manual that came with the washer for contact information.

NOTE: The washer/pedestal assembly **MUST** be on a solid floor and level for proper operation. Turn the lock nut on each leveling leg up towards the pedestal base and snug with a wrench. Keep the leg extension at a minimum to prevent excessive vibration.

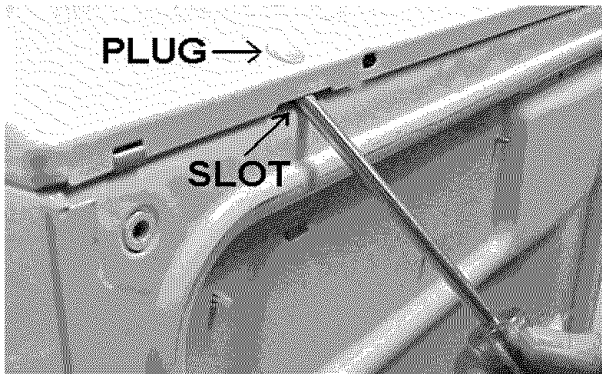
DRYER INSTALLATION

Dryer Hardware

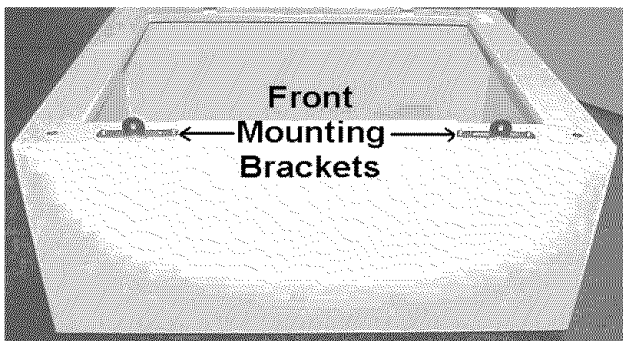


1. Remove the pedestal, installation hardware and instructions from the shipping carton.
2. Using the pedestal shipping carton for protection, carefully lay the dryer on it's back and remove the four (4) leveling legs from the dryer base.

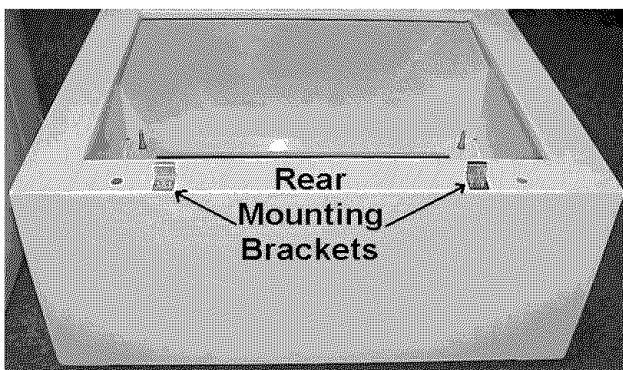
3. Insert the flat blade screwdriver in the slots between the front panel & base. Pry downward to remove the hole plugs located in the bottom of the dryer front panel.



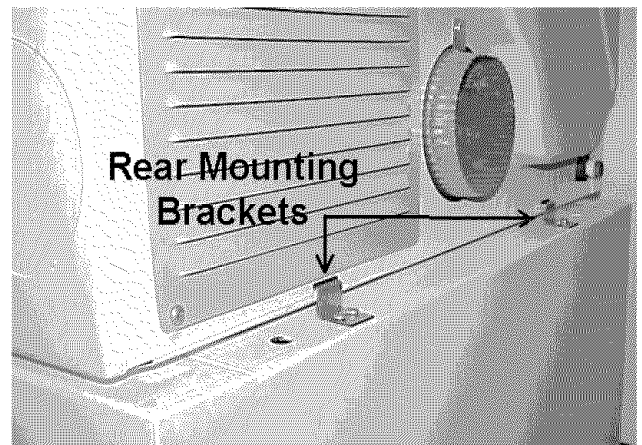
4. Install the four (4) leveling legs (supplied with the kit) fully into the pedestal.
5. The words “TOP FRONT” are embossed on the top front of the pedestal. Using four (4) 8-18 x 3/8” self-tapping screws (supplied with the kit), attach the front mounting brackets to the top front of the pedestal. Tighten securely.



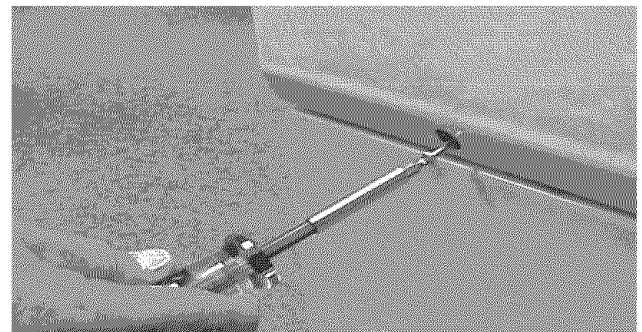
6. Using four (4) 8-18 x 3/8” self-tapping screws (supplied with the kit), attach the rear mounting brackets to the rear of the pedestal. Tighten securely.



7. Position the dryer on top of the pedestal. Slide the back of the dryer into the rear mounting brackets and then slide the front of the dryer onto the pedestal and bracket. **NOTE: Two or more people may be required.**



8. Insert the two (2) 10-16 x 1” screws (supplied with the kit) through the holes in the dryer front panel and install into the front mounting brackets. Tighten securely



9. Reinstall the hole plugs removed in step 2.
10. Refer to the installation instructions that came with the dryer to properly complete electrical and venting connections. If questions arise, please refer to the owner’s manual that came with the dryer for contact information. **NOTE: The dryer/pedestal assembly MUST be on a solid floor and level for proper operation. Turn the lock nut on each leveling leg up towards the pedestal base and snug with a wrench. Keep the leg extension at a minimum to prevent excessive vibration.**

WARRANTY

Full One Year Warranty on Mechanical Parts

For one year from date of purchase, when this pedestal is installed with the listed washer or dryer (see owners manual for specific model) and operated according to the information in the Use and Care Guide, Operating Instructions and Installation Instructions, the supplier will replace any of its mechanical parts if they are defective in workmanship or material. Keep your bill of sale. The date of the bill establishes the warranty period should parts be required. This written warranty gives you specific rights. You may also have other rights which vary from state to state.

Warranty Restriction

If the pedestal is used for any other purpose than private family use or used with any product that requires modification for installation, the warranty is null and void.

Warranty Parts

Warranty parts are available by contacting the supplier where the pedestal was purchased or refer to the Use and Care Guide that came with the washer or dryer that is installed on the pedestal for contact information.