

# 36" SEALED GAS COOKTOP



Before you begin—Read these instructions completely and carefully.

**IMPORTANT**—Save these instructions for local inspector's use.

**IMPORTANT**—OBSERVE ALL GOVERNING CODES AND ORDINANCES.

Note to Installer—Be sure to leave these instructions with the Consumer.

Note to Consumer—Keep these instructions with your Use and Care Book for future reference.

Note—This appliance must be properly grounded.

**WARNING: If the information in this manual is not followed exactly, a fire or explosion may result causing property damage, personal injury or death.**

- Do not store or use gasoline or other flammable vapors and liquids in the vicinity of this or any other appliance.
- **WHAT TO DO IF YOU SMELL GAS**
  - Do not try to light any appliance.
  - Do not touch any electrical switch; do not use any phone in your building.
  - Immediately call your gas supplier from a neighbor's phone. Follow the gas supplier's instructions.
  - If you cannot reach your gas supplier, call the fire department.
- Installation and service must be performed by a qualified installer, service agency or the gas supplier.

## IMPORTANT SAFETY INSTRUCTIONS

This cooktop has been design certified by The American Gas Association according to ANSI Z21.1 latest edition and The Canadian Gas Association according to CAN/CGA-1.1 Latest Edition. You'll find safety precautions in your Use and Care book. Read them carefully.

- Installation of this cooktop must conform with local codes, or in the absence of local codes, with the National Fuel Gas Code, ANSI Z223.1-Latest Edition.
- In Canada, installation must conform with the current Natural Gas Installation Code, CAN/CGA-B149.1 or the current Propane Installation Code, CAN/CGA-B149.2, and with local codes where applicable.
- Be sure your cooktop is installed properly by a qualified installer or service technician.

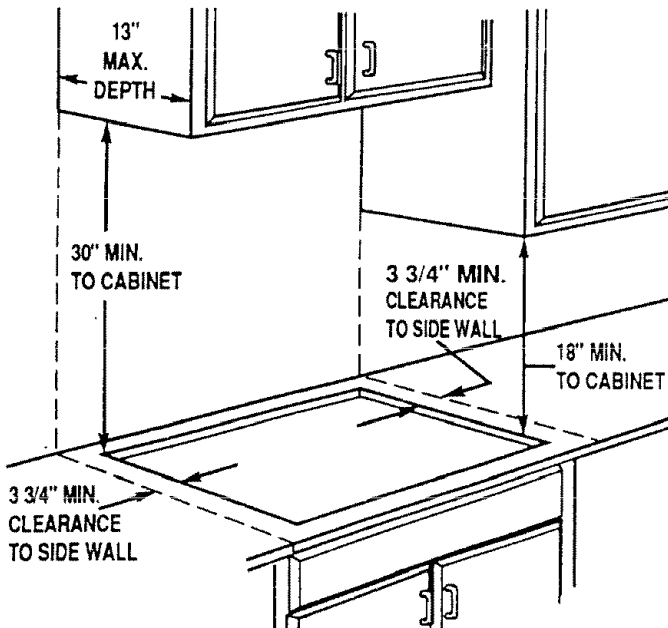
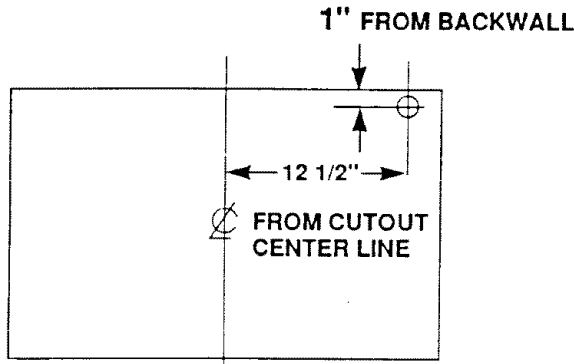
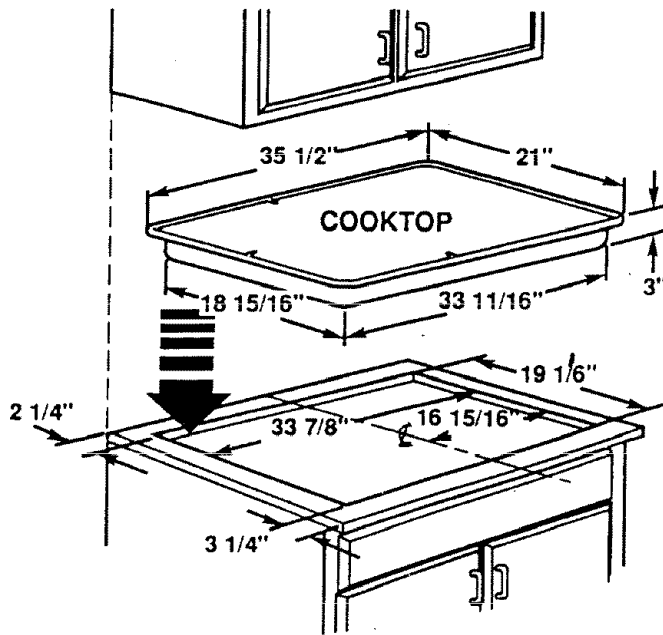
- This cooktop must be electrically grounded in accordance with local codes, or in their absence, with the National Electrical Code ANSI/NFPA No. 70-Latest Edition. See Grounding Instructions on page 6.
- In Canada, electrical grounding must be in accordance with the current CSA/C22.1 Canadian Electrical Code Part 1 and/or local codes. See Electrical Connections.
- Be sure the installation of this cooktop in a mobile home conforms with the Manufactured Home Construction and Safety Standard, Title 24 CFR, Part 3280. If this standard does not apply, you must follow the standard for Manufactured Home Installations ANSI A225.1 and Manufactured Home Installations, Sites, and Communities ANSI/NFPA 501A, or with local codes.
- In Canada, mobile home installation must be in accordance with the current CAN/CSA Z240/MH Mobile Home Installation Code.
- Do not store items of interest to children in cabinets above the cooktop. They could be seriously burned climbing on the cooktop to reach them.
- To eliminate reaching over surface burners, cabinet storage above burner should be avoided.
- Adjust surface burner flame size so it does not extend beyond the edge of the cooking utensil.
- Never use your cooktop for warming or heating the room. Prolonged use of the cooktop without adequate ventilation can be hazardous.

## TOOLS YOU WILL NEED

For cutting countertop—saber saw  
For gas supply connection—pipe wrenches  
For conversion from Natural to Propane gas—adjustable open-end wrench and 7mm socket driver or 9/32" nutdriver  
For burner flame adjustment—Phillips head and blade-type screwdrivers

## ADDITIONAL MATERIALS YOU MAY NEED

- Gas line shut-off valve
- Pipe joint sealant
- 1/2" pipe nipple



Make sure the wall coverings, countertop and cabinets around the cooktop can withstand the heat (up to 200°F) generated by the cooktop.

Provide adequate clearances between cooktop and adjacent combustible surfaces.

**For flexible connection where local codes permit:**

- Flexible metal tubing (same 3/4" or 1/2" I.D. as gas supply line)
- Adapter or union

**For rigid connection:** Pipe fittings as required.

## STEP 2: PROVIDE ADEQUATE GAS SUPPLY

This cooktop is designed to operate on natural gas at 4" of water column pressure. It is shipped from the factory set for natural gas.

FOR PROPER OPERATION, THE MAXIMUM INLET PRESSURE TO THE REGULATOR MUST BE NO MORE THAN 14" OF WATER COLUMN PRESSURE. For checking the regulator, the inlet pressure must be at least 1" (or 3.4 KPA) greater than the regulator output setting. If the regulator is set for 4" of water column pressure, the inlet pressure must be at least 5". If the regulator is set for 10", the inlet pressure must be at least 11".

The gas supply line to the cooktop should be 1/2" or 3/4" pipe.

In Canada, flexible connectors must be single wall metal connectors no longer than 6 feet in length.

## PROPANE GAS ADJUSTMENTS

**NOTE:** The pressure regulator is set for natural gas. To use Propane Gas, the regulator must be converted.



**CAUTION:** The counter unit, as shipped from the factory, is set for use with natural gas. If you wish to use your unit with Liquefied Petroleum (Propane) gas, you must first replace the orifices and convert the pressure regulator as described.

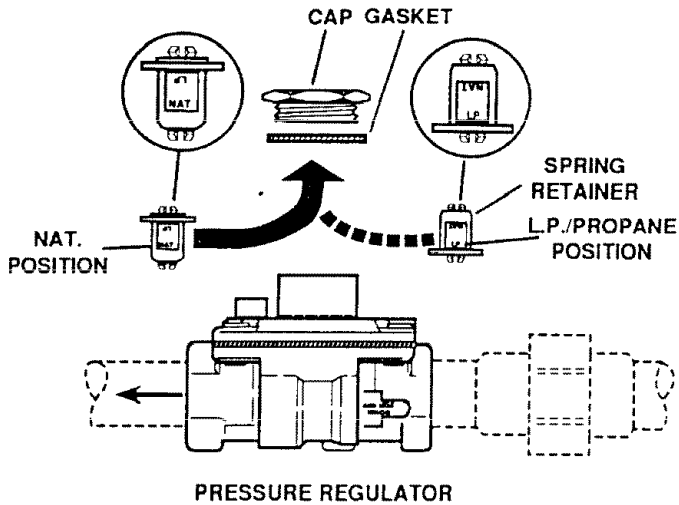
## MAKING L.P. /PROPANE CONVERSION



**CAUTION:** If you are using L.P./Propane (bottled) gas, all the adjustments described in the following steps must be made before you make any burner adjustments or use the range.

To adjust your range for use with L.P./Propane gas, follow these instructions:

1. Disconnect all electrical power, at the main circuit breaker or fuse box.
2. Shut off the gas supply to the range by closing the manual shut-off valve.
3. Adjust the Pressure Regulator by:

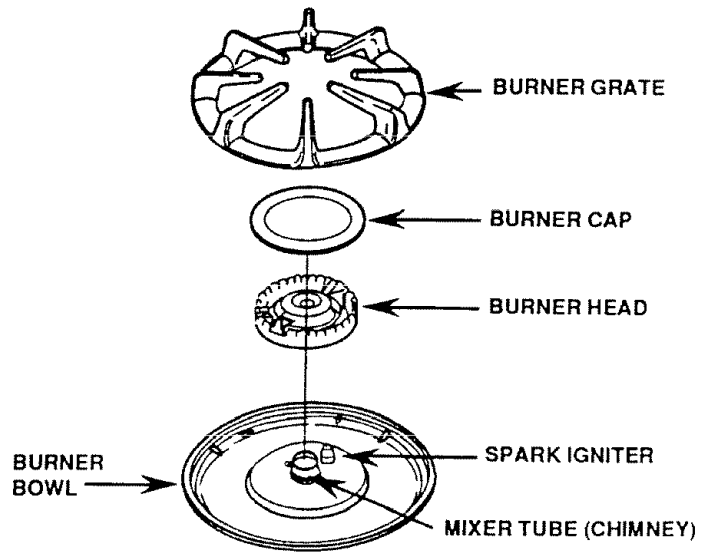


**CAUTION:** The pressure regulator is set for natural gas. To use L.P./Propane gas, the regulator must be adjusted.

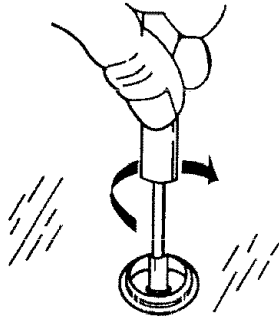
- A. Unscrew the cap.
- B. Place your thumb against the flat side of the spring retainer and press down to remove the retainer.
- C. Carefully look at the spring retainer to locate the NAT or L.P./Propane position.
- D. Turn the spring retainer over so that L.P./Propane is showing on the bottom.
- E. Snap the retainer back into position.

4. Change the cooktop burner orifices by:

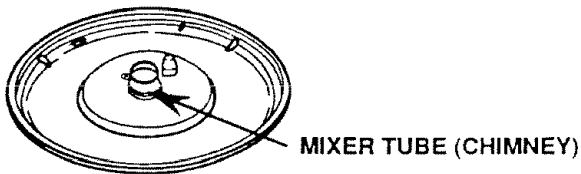
- A. Removing the top grates, burner caps and burner heads.



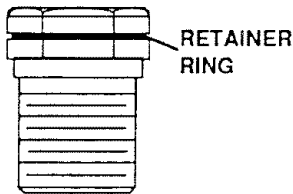
- B. Remove the valve control knobs.
- C. Through the openings, locate the valve bypass screws located on the lower right side of the valves.
- D. Using a screwdriver, screw down fully, in a clockwise rotation, the brass bypass screw.



- E. Using a 7mm or 9/32" nut driver, remove the top burner orifices. These may be accessed through the burner air/gas mixer tube (chimney).



**NOTE:** The orifices have a spring loaded retaining ring around the hex head to hold the orifice in the nut driver during installation and removal. A slight amount of force is required to push the nut driver down over the ring.



**IMPORTANT:** Save these orifices for future conversion back to natural gas.

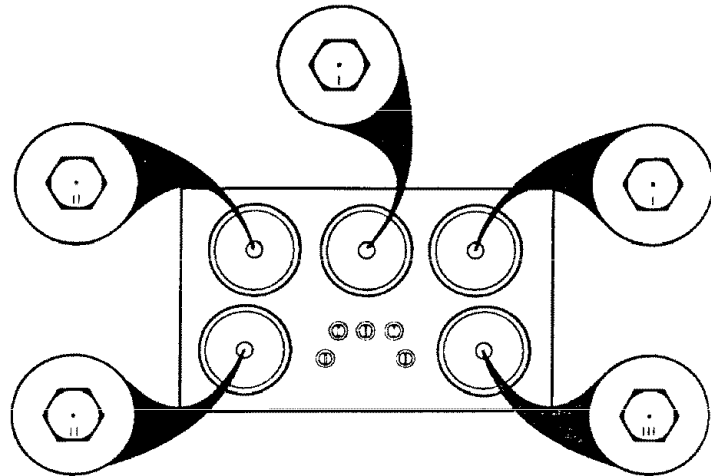
**SPECIAL NOTE:** To convert the range back to natural gas, use the orifices that you removed during the L.P./ Propane conversion and reverse steps 1-6 of the L.P./ Propane conversion section.

- 5. Locate the L.P./Propane orifices  
The L.P./Propane orifices are shipped in the literature package. They will have a digit number and the letter "L" on one side. Each orifice will also show a series of engraved marks, (I, II or III), located on the top.



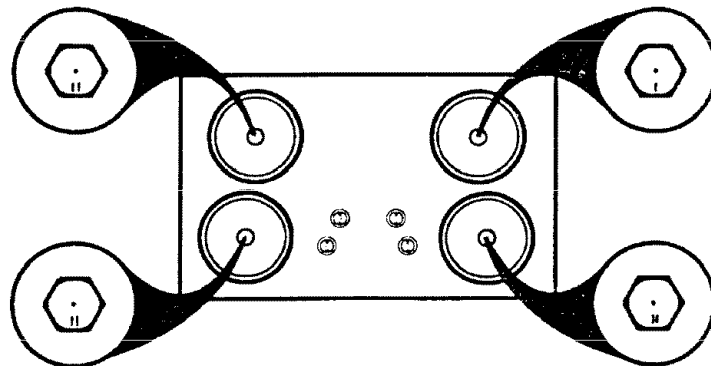
These marks denote the precise location of each orifice to the cooktop burner.

**GLASS COOKTOP**



- 6. Install the L.P./Propane orifices in their precise locations.

**PORCELAIN COOKTOP**



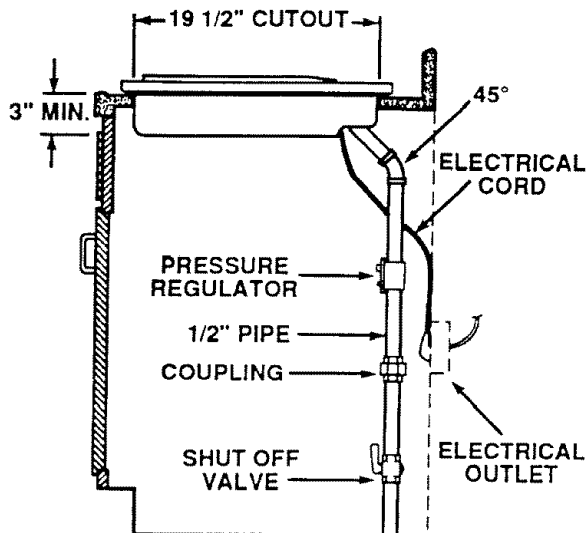
Adjust the low flame setting using the valve bypass screw as follows:  
Low setting adjustments must be made with two other burners in operation on a medium setting. This procedure prevents the low flame from being set too low resulting in the flame being extinguished when other burners are turned on.

## IMPORTANT

Remove all packing material and literature from cooktop before connecting gas and electrical supply to range.

### STEP 3: CONNECT THE COOKTOP TO GAS

1. Connect the cooktop to the gas supply line.
2. Install a manual shutoff valve in the gas line in an easily accessible location outside the cooktop. Be sure you know how and where to shut off the gas supply to the cooktop.



3. Check for leaks. After connecting range to gas, check system for leaks with a manometer. If a manometer is not available, turn the gas supply on to the range and use a liquid leak detector at all joints and connections to check for leaks.

Tighten all connections if necessary to prevent gas leakage in the range or supply line.

Check alignment of valves after connecting the range to the gas supply to be sure the manifold pipe has not been moved. A misalignment could cause the valve knob stem to rub on the control panel, resulting in a gas leak at the valve.



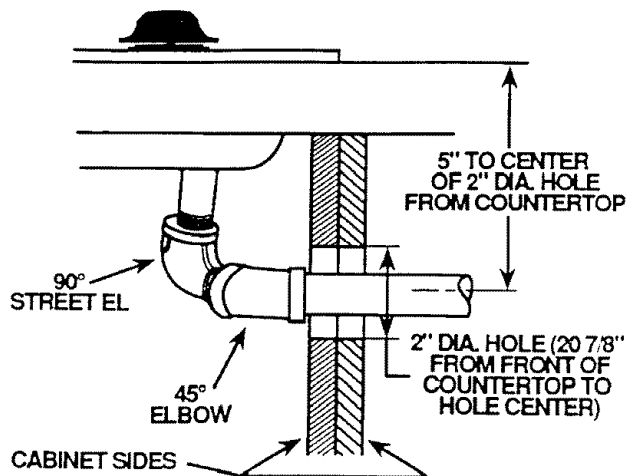
**CAUTION: DO NOT USE A FLAME TO CHECK FOR GAS LEAKS.**

**Disconnect this range and its individual shutoff valve** from the gas supply piping system during any pressure testing of that system at test pressures greater than 1/2 psig.

**Isolate the range** from the gas supply piping system by closing its individual shut off valve during any pressure testing of the gas supply system at test pressures equal to or less than 1/2" psig.

### FOR INSTALLATION OVER A BUILT-IN OVEN:

See Built-In Oven Installation for complete instructions.



### STEP 4: ELECTRICAL CONNECTION

#### Electrical Requirements:

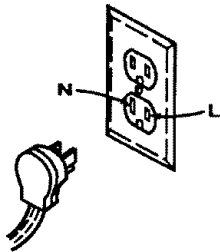
Because of potential safety hazards under certain conditions we strongly recommend against the use of an extension cord. However, if you still elect to use an extension cord, it is absolutely necessary that it be a UL listed 3-wire grounding type appliance extension cord and that the current carrying rating of the cord in amperes be equivalent to or greater than the branch circuit rating. Such extension cords are obtainable through your local appliance dealer.

## GROUNDING

**IMPORTANT: (Please read carefully)  
FOR PERSONAL SAFETY, THIS APPLIANCE  
MUST BE PROPERLY GROUNDING.**

The power cord of this appliance is equipped with a three-prong (grounding) plug which mates with a standard three-prong grounding wall receptacle to minimize the possibility of electric shock hazard from this appliance.

The customer should have the wall receptacle and circuit checked by a qualified electrician to make sure the receptacle is properly grounded.



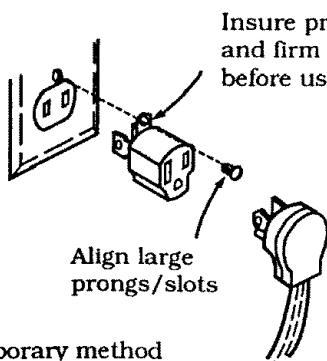
Insure proper ground  
and firm connection  
before use.

Where a standard two-prong wall receptacle is encountered, it is the personal responsibility and obligation of the customer to have it replaced with a properly grounded three-prong wall receptacle.

**DO NOT, UNDER ANY CIRCUMSTANCES,  
CUT OR REMOVE THE THIRD (GROUND)  
PRONG FROM THE POWER CORD.**

**USAGE SITUATIONS WHERE THE APPLIANCE  
POWER CORD WILL BE DISCONNECTED  
INFREQUENTLY.**

For 15 amp circuit only, do not use an adaptor on a 20 amp circuit. Where local codes permit, a **TEMPORARY CONNECTION** may be made to a properly grounded two-prong wall receptacle by the use of a UL listed adaptor available at most hardware stores. The larger slot in the adaptor must be aligned with the large slot in the wall receptacle to provide proper polarity in the connection of the power cord.



Insure proper ground  
and firm connection  
before use.

Align large  
prongs/slots

Temporary method  
(Adaptor plugs not  
permitted in Canada)

**CAUTION: ATTACHING THE ADAPTOR GROUND  
TERMINAL TO THE WALL RECEPTACLE COVER  
SCREW DOES NOT GROUND THE APPLIANCE**

UNLESS THE SCREW IS METAL, AND NOT INSULATED, AND THE WALL RECEPTACLE IS GROUNDED THROUGH THE HOUSE WIRING. THE CUSTOMER SHOULD HAVE THE CIRCUIT CHECKED BY A QUALIFIED ELECTRICIAN TO MAKE SURE THE RECEPTACLE IS PROPERLY GROUNDED.

When disconnecting the power cord from the adaptor, always hold the adaptor with one hand. If this is not done the adaptor ground terminal is very likely to break with repeated use. Should this happen, **DO NOT USE** the appliance until a proper ground has again been established.

**USAGE SITUATIONS WHERE APPLIANCE POWER  
CORD WILL BE DISCONNECTED FREQUENTLY.**

Do not use an adaptor plug in these situations because disconnection of the power cord places undue strain on the adaptor and leads to eventual failure of the adaptor ground terminal. The customer should have the two-prong wall receptacle replaced with a three-prong (grounding) receptacle by a qualified electrician before using the appliance.

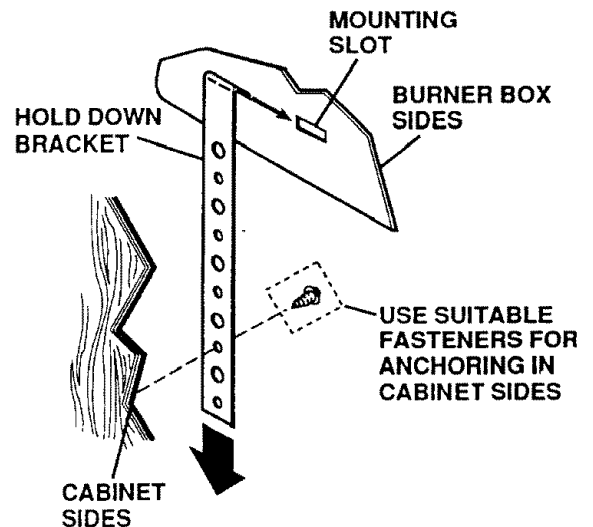
In Canada, mobile home installation must be in accordance with the current CAN/CSA Z240/MH Mobile Home Installation Code.

## STEP 5: INSTALLING UNIT IN A STANDARD OR TILE COUNTER

Before installing the unit in the cutout, attach the adhesive backed foam tape (shipped with unit) around the bottom surface of the glass, near the edge of the maintop.

To attach the unit to the counter, insert the hold down brackets in the slots on each side of the unit.

Use the screws supplied to attach unit to counter as shown. The unit must rest on the metal flange around the burner box and not on the glass.

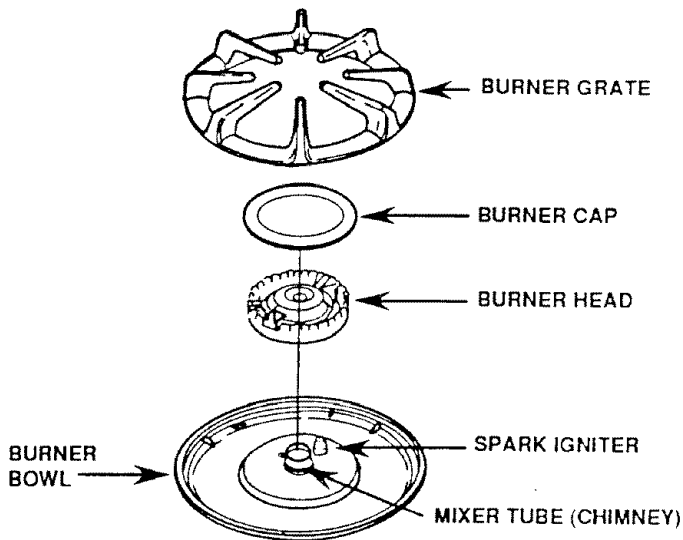


## STEP 6: ASSEMBLING THE COOKTOP BURNERS



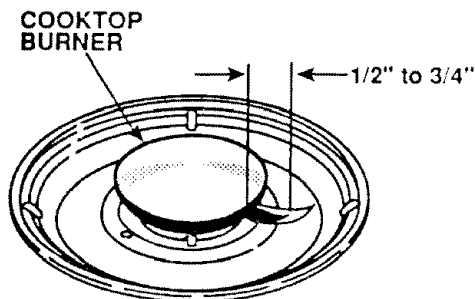
The electrode of the spark igniter is exposed and the mixer tube may have sharp edges. Be careful not to push any cooktop controls while the top of the burner is removed. Do not remove the top or touch the electrode of any burner while another burner is turned on. Electrical shock might result.

Place the burner head on the burner bowl, so that the location of the spark igniter matches up with the opening in the burner head. Position the burner cap on the burner head. Place the burner grate over the burner assembly and into the burner bowl. The bottoms of the burner grates have fingers that fit into the corresponding indentations in the burner bowl.



Turn each burner full on. Flames should be blue in color with no trace of yellow. Foreign particles in the gas line may cause an orange flame at first but this will soon disappear.

The burner flames should not flutter or blow away from the burner. The inner cone of the flame should be between 1/2" and 3/4" long.



## STEP 7: CHECK THE IGNITERS

Operation of electric igniters should be checked after cooktop and supply line connectors have been carefully checked for leaks and cooktop has been connected to electric power.

To check for proper lighting, push in and turn a burner valve to the LITE position. The burner valve should light when gas is available to burner. Once the burner lights, it should be turned out of the LITE position. Try each valve separately until all burners have been checked out.

## BURNER IGNITION

**COOKTOP SPARK IGNITION** — When you turn the cooktop knob to LITE, the spark igniter makes a series of electric sparks (ticking sounds) which light the burner.

During a power failure the burners will not light automatically. In an emergency, a cooktop burner may be lit with a match by following the steps below.



Lighting gas burners with a match is dangerous. You should match light the cooktop burners only in an emergency.

1. Light a match and hold the flame near the burner you want to light. Wooden matches work best.
2. Push in and turn the control knob slowly. Be sure you are turning the correct knob for the burner you are lighting.

**NOTE:** If the burner does not light within five seconds, turn the knob off and wait one minute before trying again.

## STEP 8: WHEN ALL HOOKUPS ARE COMPLETED

**MAKE SURE ALL CONTROLS ARE LEFT IN THE OFF POSITION.**

**MAKE SURE THE FLOW OF COMBUSTION AND VENTILATION AIR TO THE RANGE IS UNOBSTRUCTED. MODEL AND SERIAL NUMBER LOCATION.**

The serial plate for your cooktop is located on the bottom of the burner box. In addition to the model and serial numbers, it tells you the ratings of the burners and type of fuel and pressure the cooktop was adjusted for when it left the factory.

When ordering parts, always include the serial number, model number and code letter to ensure proper replacement parts. Parts may be obtained through General Electric/Hotpoint Factory Service Centers or General Electric/Hotpoint authorized Customer Care servicers.

# NOTES



Recycled Paper