

Amana®

Dryer

ND-1

Use & Care Guide



Important Safety Instructions 1-2



Using the Controls

Auto Dry Models3-4

Electronic Controls5-7



Operating Tips 8



Accessories 8



Care & Cleaning 9



Reversing the Door 10



Dryer Exhaust Tips 11



Troubleshooting 12



Service & Warranty 13

Guide d'utilisation et d'entretien 14

Guía de uso y cuidado 28



Important Safety Instructions

Installer: Please leave this guide with this appliance.

Consumer: Please read and keep this guide for reference. Keep sales receipt and/or canceled check as proof of purchase.

Model Number _____

Serial Number _____

Date of Purchase _____

If you have questions, call:

Customer Assistance
1-800-688-9900 U.S.A.
1-866-688-2002 Canada
(Mon.-Fri. 8 a.m.-8 p.m. Eastern Time)
Internet: <http://www.amana.com>

U.S.A. Customers using TTY for deaf, hearing impaired or speech impaired, call 1-800-688-2080.

In our continuing effort to improve the quality and performance of our appliances, it may be necessary to make changes to the appliance without revising this guide.

For service information, see page 13.

What You Need to Know About Safety Instructions

Warning and Important Safety Instructions appearing in this guide are not meant to cover all possible conditions and situations that may occur. Common sense, caution and care must be exercised when installing, maintaining or operating appliance.

Always contact the manufacturer about problems or conditions you do not understand.

Recognize Safety Symbols, Words, Labels

⚠ WARNING

WARNING – Hazards or unsafe practices which **COULD** result in severe personal injury or death.

⚠ CAUTION

CAUTION – Hazards or unsafe practices which **COULD** result in minor personal injury.

⚠ WARNING

For your safety, the information in this guide must be followed to minimize the risk of fire or explosion or to prevent property damage, personal injury or death.

- Do not store or use gasoline or other flammable vapors and liquids in the vicinity of this or any other appliance.

WHAT TO DO IF YOU SMELL GAS

- Do not try to light any appliance.
- Do not touch any electrical switch.
- Do not use any phone in your building.
- Clear the room, building or area of all occupants.
- Immediately call your gas supplier from a neighbor's phone. Follow the gas supplier's instructions.
- If you cannot reach your gas supplier, call the fire department.

Installation and service must be performed by a qualified installer, service agency or the gas supplier.

⚠ WARNING! FIRE HAZARD

Do not place into your dryer items that have been spotted or soaked with vegetable oil or cooking oil. Even after being washed, these items may contain significant amounts of these oils. The remaining oil can ignite spontaneously. The potential for spontaneous ignition increases when the items containing vegetable oil or cooking oil are exposed to heat. Heat sources, such as your clothes dryer, can warm these items, allowing an oxidation reaction in the oil to occur. Oxidation creates heat. If this heat cannot escape, the items can become hot enough to catch fire. Piling, stacking or storing these kinds of items may prevent heat from escaping and can create a fire hazard.

All washed and unwashed fabrics that contain vegetable oil or cooking oil can be dangerous. Washing these items in hot water with extra detergent will reduce, but will not eliminate, the hazard. Always use the Cool Down cycle for these items to reduce the items' temperature. Never remove these items from the clothes dryer hot or interrupt the drying cycle until the items have run through the Cool Down cycle. Never pile or stack these items when they are hot.



Important Safety Instructions

⚠ WARNING

To reduce the risk of fire, explosion, electric shock, or personal injury when using your dryer, follow basic safety precautions, including the following:

1. Read all instructions before using the appliance.
2. To avoid the possibility of fire or explosion:
 - a. **Do not** dry items that have been previously cleaned in, washed in, soaked in, or spotted with gasoline, dry-cleaning solvents, other flammable or explosive substances as they give off vapors that could ignite or explode. Any material on which you have used a cleaning solvent, or which is saturated with flammable liquids or solids, should not be placed in the dryer, until all traces of these flammable liquids or solids and their fumes have been removed. There are many highly flammable items used in homes, such as: acetone, denatured alcohol, gasoline, kerosene, some liquid household cleaners, some spot removers, turpentine, waxes and wax removers.
 - b. Items containing foam rubber (may be labeled latex foam) or similarly textured rubber-like materials must not be dried on a heat setting. Foam rubber materials when heated, can under certain circumstances produce fire by spontaneous combustion.
3. **Do not** allow children or pets to play on, in, or in front of the appliance. Close supervision is necessary when the appliance is used near children and pets.
4. Before the appliance is removed from service or discarded, remove the door to the drying compartment.
5. **Do not** reach into the appliance if the drum is moving.
6. **Do not** install or store this appliance where it will be exposed to the weather.
7. **Do not** tamper with controls.
8. **Do not** repair or replace any part of the appliance or attempt any servicing unless specifically recommended in published user-repair instructions that you understand and have the skills to carry out.
9. **Do not** use fabric softeners or products to eliminate static unless recommended for dryer use

by the manufacturer of the fabric softener or product.

10. Clean the lint screen before or after each load.
11. Keep the area around the exhaust opening and surrounding areas free from lint accumulation, dust and dirt.
12. The interior of the dryer and exhaust duct should be cleaned periodically by qualified service personnel.
13. This appliance must be properly grounded. **Never** plug the appliance cord into a receptacle which is not grounded adequately and in accordance with local and national codes. See installation instructions for grounding this appliance.
14. **Do not** sit on top of the clothes dryer.

Important Safety Notice & Warning

The California Safe Drinking Water and Toxic Enforcement Act of 1986 (Proposition 65) requires the Governor of California to publish a list of substances known to the State of California to cause cancer or reproductive harm, and requires businesses to warn customers of potential exposures to such substances.

Users of this appliance are hereby warned that the burning of gas can result in low-level exposure to some of the listed substances, including benzene, formaldehyde, and soot, due primarily to the incomplete combustion of natural gas or liquid petroleum (LP) fuels. Exhaust ducts should be kept free of obstructions and properly exhausted dryers will minimize exposure.

⚠ WARNING

Gas leaks may occur in your system and result in a dangerous situation. Gas leaks may not be detected by smell alone. Gas suppliers recommend you purchase and install an UL approved gas detector. Install and use in accordance with the manufacturer's instructions.

Note: Because of continuing product improvements, Amana reserves the right to change specifications without notice. For complete details, see the Installation Instructions packed with your product before selecting cabinetry, making cutouts or beginning installation.

SAVE THESE INSTRUCTIONS



Using the Controls - Auto Dry Models

STEP 1

Select Temperature

In order to select the correct temperature, turn the Temperature control to one of four choices; Regular, Medium (select models), Delicate or Air Fluff.

DRYER TEMPS	LOAD TYPE
Regular	Sturdy cottons or labels marked Tumble Dry.
Medium (select models)	For wrinkle-free/permanent press synthetics and lightweight cottons labeled Tumble Dry Medium.
Delicate	For heat sensitive items labeled Tumble Dry Low or Tumble Dry Medium.
Air Fluff	Items which need freshening. Load tumbles with room temperature air.

STEP 2

Select Options

End of Cycle Signal

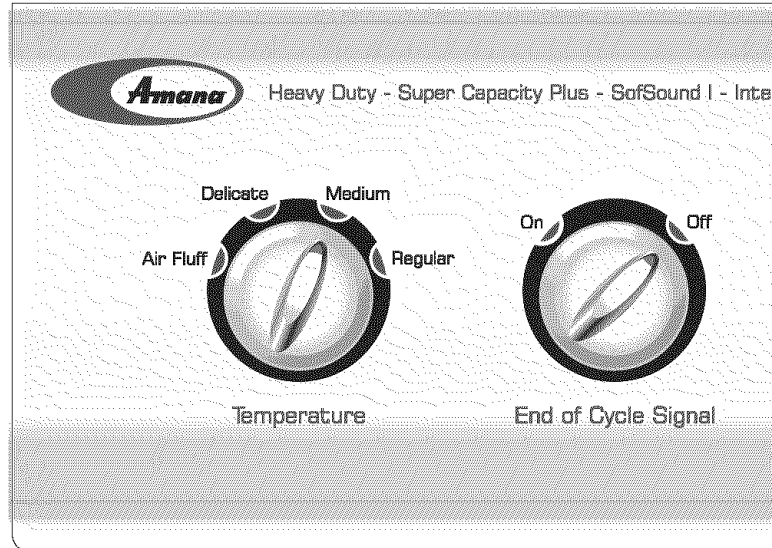
When the cycle is complete, a signal will sound. The signal can be canceled by turning the switch to **Off**.

Remove load immediately to reduce wrinkling.

Extended Tumble (select models)

Extended Tumble is provided to minimize wrinkles in the Auto Dry No Iron Fabrics cycle. This feature provides an extra 60 minutes of unheated tumble action at the end of the cycle. Clothes can be removed any time during this portion of the cycle.

The additional 60 minutes of unheated tumbling can be canceled by turning the switch to **Off**.



STEP 3

Select Cycle

To select a cycle, rotate the control dial to the desired setting. When using an Auto Dry Regular cycle, the control dial should point between - More Dry and Less Dry for most loads.

Loads of larger or bulkier size may require the More Dry setting to completely dry the load. The Less Dry setting is best suited for lightweight fabrics or for leaving some moisture in the clothing at the end of the cycle.

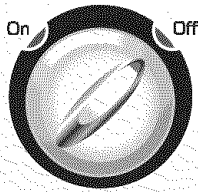
Auto Dry Regular

The Auto Dry Regular cycle is designed to dry most cottons and linens. At the end of the cycle, the clothes are cooled to reduce wrinkling for approximately 10 minutes.

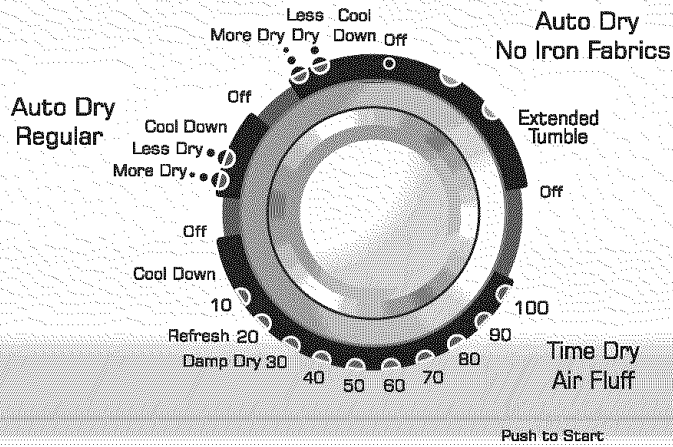
Auto Dry No Iron Fabrics

The Auto Dry No Iron Fabrics cycle is designed to dry wrinkle-free cottons, synthetic fabrics, double knits and permanent press fabrics automatically. At the end of the cycle, the clothes are cooled for approximately 10 minutes to reduce wrinkling. If the load is not removed from the dryer and **Extended Tumble** (select models) has been selected, the cycle will advance to Extended Tumble which provides additional unheated tumbling time. (See Step 2).

or Light - 8 Cycles



Extended Tumble
Wrinkle Out



Time Dry/Air Fluff

This cycle can be used to regulate the drying time. Use with Air Fluff, Delicate, Medium (select models) or Regular temperature settings. For timed drying, turn the control dial until the pointer points to the proper time setting in the Time Dry/Air Fluff cycle.

Note: Using the Air Fluff temperature setting will require a longer drying time.

Damp Dry

Damp Dry is located on the Time Dry/Air Fluff section of the dial. It is designed to partially dry items and can be used with any temperature selection. Damp Dry will provide 20 minutes of tumbling time, followed by 10 minutes of cool-down tumbling.

Touch Up/Refresh

Touch Up/Refresh will release wrinkles from items that are clean and dry but only slightly wrinkled, such as from a crowded closet or suitcase, or from sitting in the dryer too long after the cycle has ended. Touch Up/Refresh provides 10 minutes of tumbling followed by 10 minutes of cool-down tumbling and can be used with any temperature selection.

STEP 4

Push the Control Dial in to Start

Push the control dial **in** to start the dryer. The dryer door must be closed for the dryer to start.

Note: The dial can be turned in either direction to select a cycle. Once started, the dial will not advance at a specific rate during the Auto Dry cycles. At first the dial may not advance at all. Toward the end of the cycle (when the load begins to dry), the dial will advance at a more regular rate and much more quickly. This is normal operation.



Using the Controls - Electronic Controls

STEP 1

Select Temperature

Auto Temp (preferred setting)

When **Auto Temp** is selected, the dryer will automatically select the most appropriate drying temperature based on the cycle and dryness settings selected.

If you prefer not to use Auto Temp, turn the **temperature selector** knob to the desired setting.

DRYER TEMPS	LOAD TYPE
Regular	Sturdy cottons or labels marked Tumble Dry.
Medium	For wrinkle-free/permanent press synthetics, lightweight cottons labeled Tumble Dry Medium.
Delicate	For heat sensitive items labeled Tumble Dry Low or Tumble Dry Medium.
Air Fluff	Items which need freshening. Load tumbles with room temperature air.

STEP 2

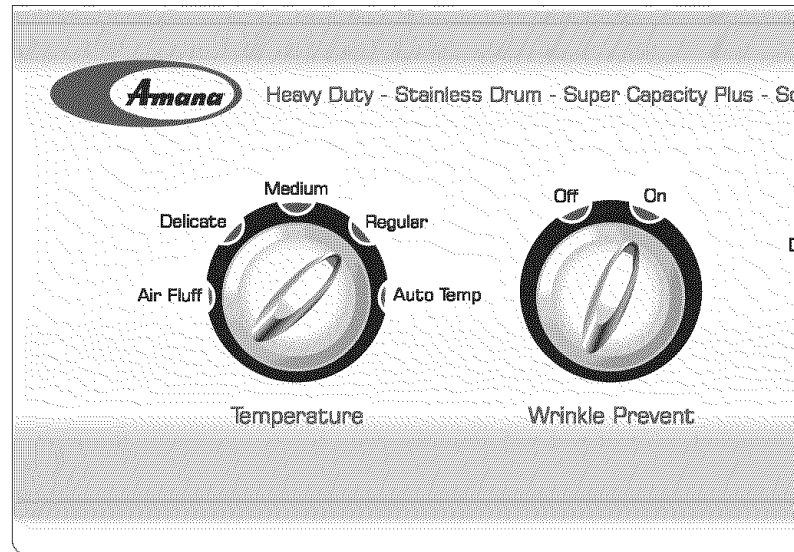
Select Options (if desired)

End of Cycle Chime

When the cycle is complete, an audible chime will sound. The chime will sound intermittently during Wrinkle Prevent. To turn the Chime off, turn the Chime selector switch to **Off**.

Wrinkle Prevent

Wrinkle Prevent provides approximately 95 minutes of intermittent tumbling in unheated air at the end of the cycle to reduce wrinkling. Set the Wrinkle Prevent knob **On** to activate this feature. The additional 95 minutes of unheated tumbling can be canceled by turning the switch to **Off**.



STEP 3

Select Dryness Setting

To select the dryness level, turn the **Dryness Setting** knob to the desired setting.

Most loads will use the Normal Dry setting. Loads of larger or bulkier size may require the More Dry setting to completely dry the load.

The Less Dry setting is best suited for lightweight fabrics or for leaving some moisture in the load at the end of the cycle. Damp Dry is designed to partially dry items. Use for items that lay flat or hang to dry.

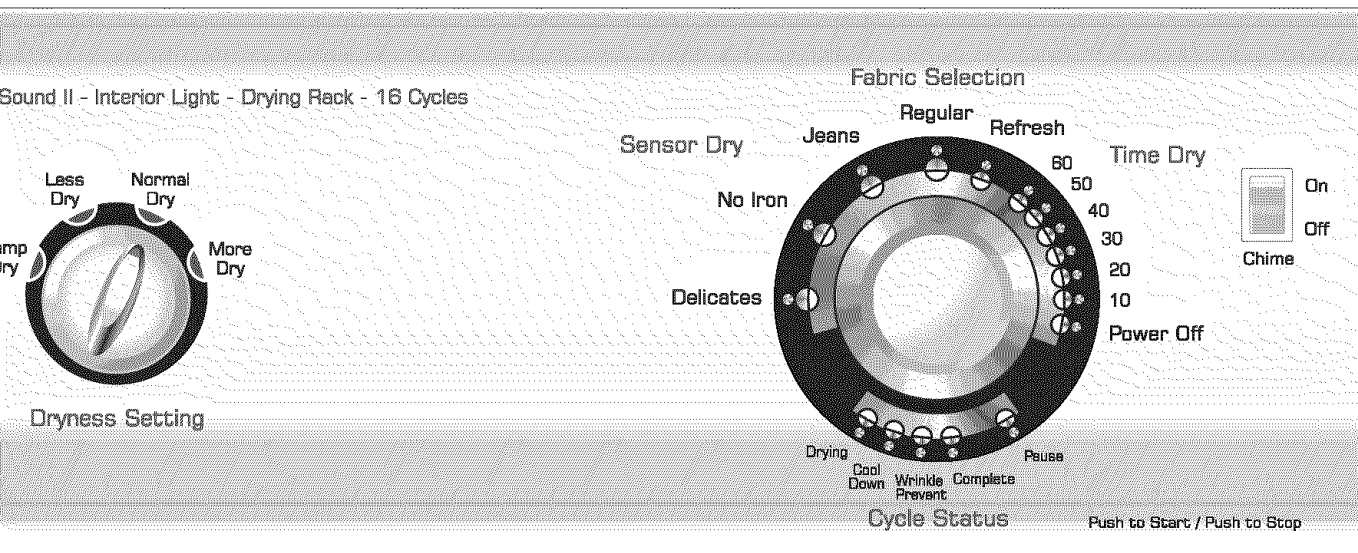
STEP 4

Select Cycle

To select a cycle, rotate the **Cycle Selector** dial to the desired cycle. The indicator light by the cycle name will illuminate.

The dryer cycles are Sensor Dry cycles. Sensor Dry automatically senses the moisture in the load and shuts the dryer off when the selected dryness level (Damp Dry to More Dry) is reached.

Cycles and options may vary by model.



Refresh

The Refresh cycle is designed to release wrinkles from items that are clean and dry but only slightly wrinkled, such as from a crowded closet or suitcase or from sitting in the dryer too long after the cycle has ended. Refresh can be used with any temperature selection.

Regular

The Regular cycle is designed to dry loads such as towels and underwear.

Jeans

The Jeans cycle is designed to reduce wrinkling and tangling in loads of jeans.

No Iron

The No Iron cycle is designed to dry wrinkle-free cottons, synthetic fabrics, knits and permanent press fabrics automatically. The cycle minimizes wrinkling by providing a longer unheated cool-down period at the end of the cycle.

Delicates

The Delicates cycle is designed to dry heat-sensitive items at the Delicates drying temperature.

Time Dry

The Time Dry cycle can be used to regulate the drying time. Use with any temperature setting. For timed drying, turn the cycle selector dial to the number of minutes desired. An indicator light will illuminate by the setting.

Note: Using the Air Fluff temperature setting will require a longer drying time.

STEP 5

Start the Dryer

After setting the cycle and desired options, press the **cycle selector** dial to start the dryer. To pause the cycle, press **cycle selector** dial again. To restart the cycle, press **cycle selector** dial and the cycle will resume from the point of interruption.

Power Off

Turn the cycle selector dial to **Power Off** and press **cycle selector** dial to cancel the cycle and stop the dryer.

Cont.



Using the Controls - Electronic Controls

Features

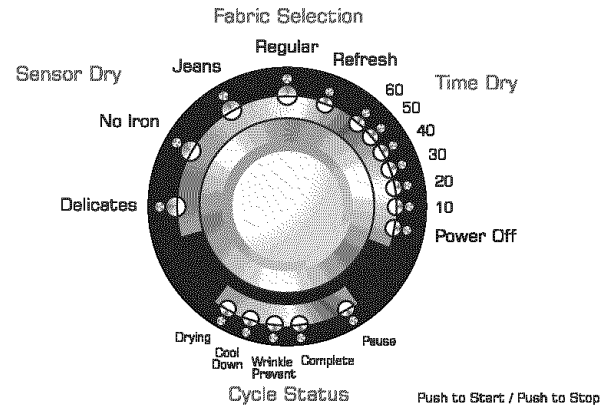
Cycle Status Lights

The Drying light will illuminate and remain lit until the dryer enters the cool down portion of the cycle. When the dryer is in the cool down portion of the cycle, the Cool Down light will illuminate.

The Wrinkle Prevent and Complete light will illuminate when the dryer has moved into the Wrinkle Prevent portion of the cycle. On some models, Wrinkle Prevent will automatically follow the Wrinkle Control cycle.

The Complete light will illuminate when the cycle is complete. The light will remain illuminated until the dryer door is opened.

If the dryer is paused during a cycle, the Pause light will illuminate until the cycle is resumed or the dryer is turned off.

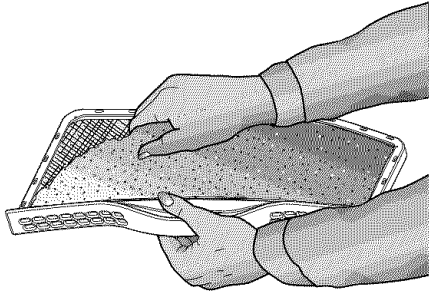




Operating Tips

Clean the Lint Filter

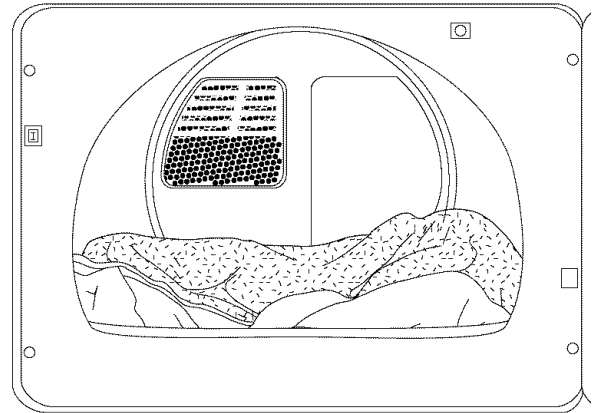
- After each load.
- To shorten drying time.
- To operate more energy efficiently.



Note: Do not operate the dryer without the lint filter in place.

Load the Dryer Properly

- Place only one washload in the dryer at a time.
- Mixed loads of heavy and lightweight clothes will dry differently. Lightweight clothes will dry, while heavy clothes may be damp.
- Add one or more similar items to the dryer when only one or two articles need drying. This improves the tumbling action and drying efficiency.
- Overloading restricts tumbling action, resulting in uneven drying as well as excessive wrinkling of some fabrics.
- When drying large, bulky items such as a blanket or comforter, it may be necessary to reposition the load during the cycle to ensure even drying.

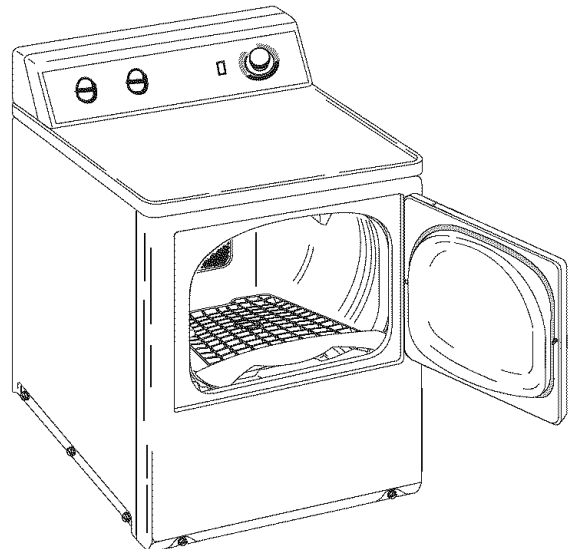


Accessories

Optional Drying Rack

Select dryer models are equipped with a drying rack. The drying rack is useful for drying items that require no tumble drying, such as tennis shoes, sweaters, stuffed toys or other delicate items.

Note: The Drying Rack, part no. 504105, is available when not included with your dryer. See your dealer or call 1-877-232-6771 to order.





Care & Cleaning

Control Panel

Clean with a soft, damp cloth. Do not use abrasive substances.

Tumbler

Remove any stains such as crayon, ink pen or fabric dye from new items (such as towels or jeans) with an all-purpose cleaner. Then tumble old towels or rags to remove any excess stain or cleaning substance. Once these steps are done, stains may still be visible, but should not transfer to subsequent loads.

Cabinet

Wipe off any marks with soap and water. Use an appliance wax once a year if desired.

Dryer Exhaust System

Inspect and clean once a year to maintain optimum performance. The outside exhaust hood should be cleaned more frequently to ensure proper operation. (Refer to the Installation Instructions for more information.)

Special Laundry Tips

Please follow the care label or manufacturer's instructions for drying special items. If care label instructions are not available, use the following information as a guide.

ITEM	LAUNDERING TIPS
Bedspreads and Comforters	<ul style="list-style-type: none"> Follow the care label instructions or dry on the Regular cycle. Be sure the item is thoroughly dry before using or storing. May require repositioning to ensure even drying.
Blankets	<ul style="list-style-type: none"> Dry only one blanket at a time for best tumbling action. Be sure the item is thoroughly dry before using or storing.
Curtains and Draperies	<ul style="list-style-type: none"> Select the No Iron cycle to help minimize wrinkling. Dry in small loads for best results and remove as soon as possible.
Cloth Diapers	<ul style="list-style-type: none"> Select the Regular cycle for soft, fluffy diapers.
Down-Filled Items (<i>jackets, sleeping bags, comforters, etc.</i>)	<ul style="list-style-type: none"> Select the Regular cycle and a Delicate temperature setting. Place a clean pair of sneakers in the dryer with the item to fluff the down comforters, etc. Adding a couple of dry towels shortens dry time and absorbs moisture.
Foam Rubber (<i>rug backs, stuffed toys, certain shoulder pads, etc.</i>)	<ul style="list-style-type: none"> Do not dry on a heat setting. Select the Time Dry/Air Fluff (no-heat) cycle. ⚠ WARNING – Drying a rubber item with heat may damage it or be a fire hazard.
Pillows	<ul style="list-style-type: none"> Do not dryer-dry kapok or foam pillows. Select the Regular cycle. Add a couple of dry towels and a pair of clean sneakers to help the tumbling action and to fluff the item.
Plastics (<i>shower curtains, outdoor furniture covers, etc.</i>)	<ul style="list-style-type: none"> Select the Time Dry cycle on a Delicate or Air Fluff temperature depending on the care label instructions.

IMPORTANT: Avoid Dryer Drying . . .

- Fiberglass items (curtains, draperies, etc.).
- Woolens, unless recommended on the label.
- Vegetable or cooking oil soaked items (see fire hazard warning, page 1).

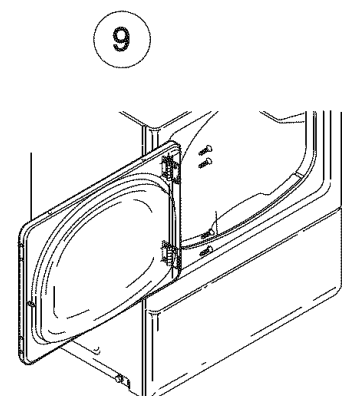
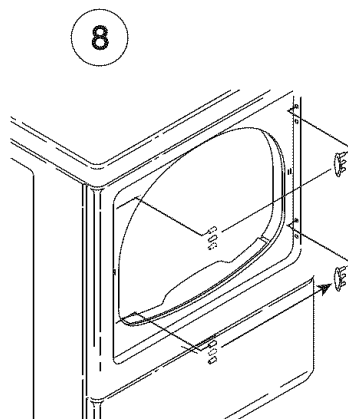
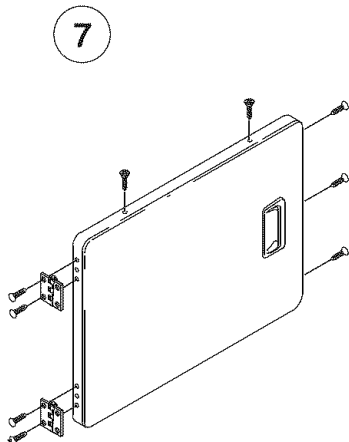
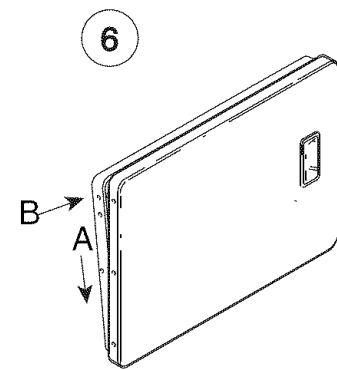
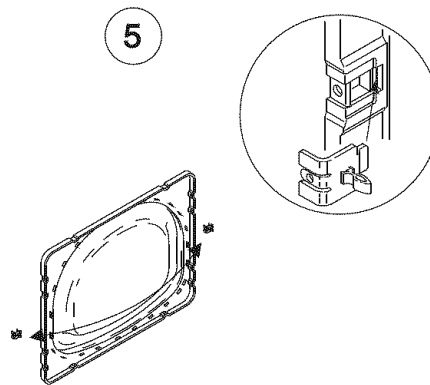
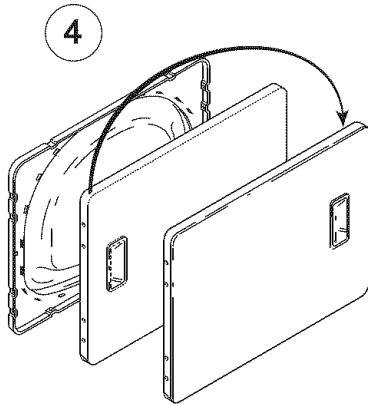
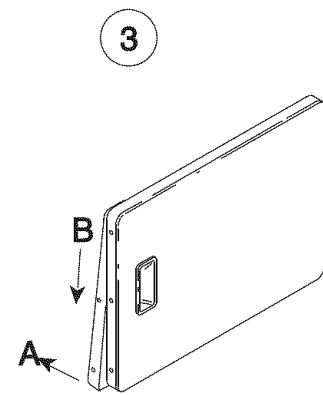
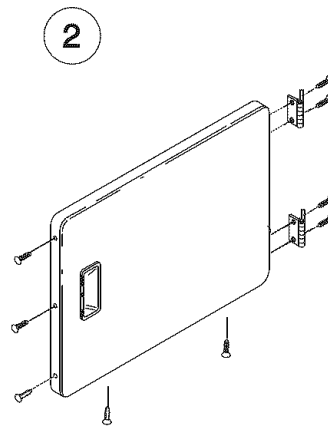
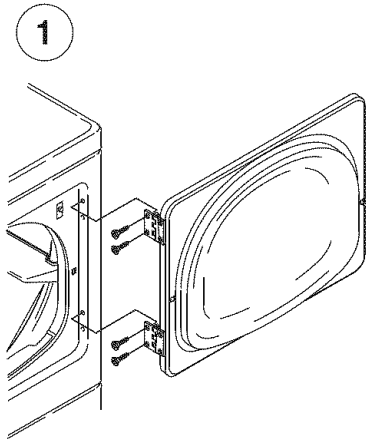


Reversing the Door

Reversing the Door

Follow these steps to reverse the door:

1. Remove four hinge-attaching screws.
2. Remove all nine screws from door and hinges.
3. Pull bottom of door liner out (A), then pull down (B), removing door liner from door panel.
4. Rotate door panel 180° as shown.
5. Remove door strike from door liner and reinstall on opposite side.
6. Insert liner under flange on bottom of door (A), then push top of door liner into place (B).
7. Reinstall nine screws removed in Step 2.
8. Using screwdriver, remove two door plugs and reinstall on opposite side of door opening.
9. Reinstall four hinge attaching screws removed in Step 1.





Dryer Exhaust Tips

⚠ WARNING

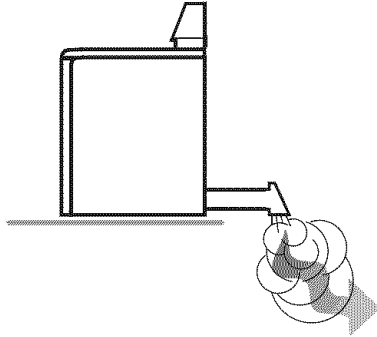
Plastic or nonmetal flexible duct presents a potential fire hazard.

Do

Read the Installation Instructions and the Use and Care Guide.

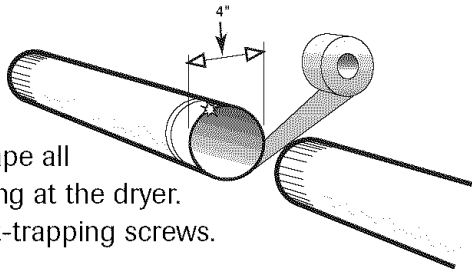
Do

Let your dryer exhaust the air easily.



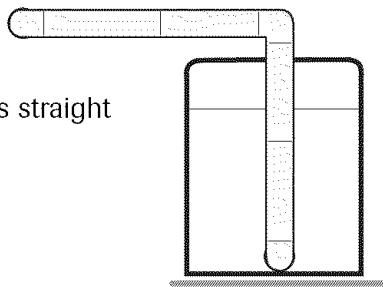
Do

Use 4 inch diameter rigid metal duct. Tape all joints, including at the dryer. Never use lint-trapping screws.



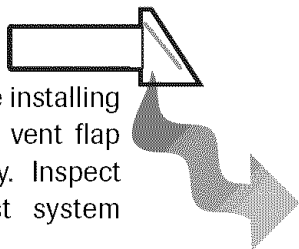
Do

Keep duct runs as straight as possible.



Do

Clean all old ducts before installing your new dryer. Be sure vent flap opens and closes freely. Inspect and clean the exhaust system annually.

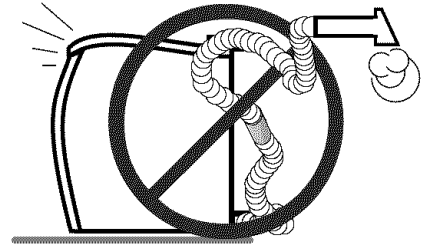


DON'T

Let a poor exhaust system cause slow drying.

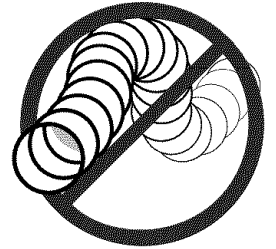
DON'T

Restrict your dryer with a poor exhaust system.



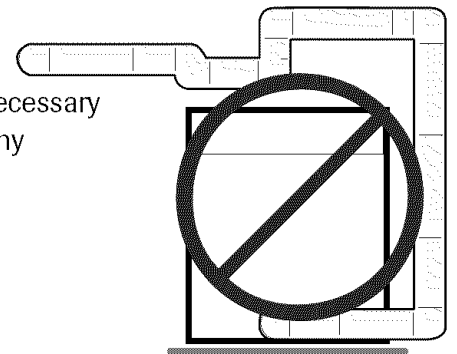
DON'T

Use plastic, thin foil, or non-metal flexible duct.



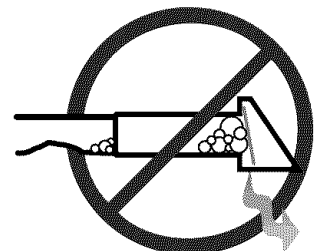
DON'T

Use longer than necessary duct runs with many elbows.



DON'T

Allow crushed or clogged ducts and vent.





Troubleshooting

Doesn't Run	<ul style="list-style-type: none"> • Be sure the door is shut. • Check to make sure the electrical cord is plugged in. • Check fuse or reset circuit breaker. • Push the control dial in again if the door was opened during the cycle.
Doesn't Heat	<ul style="list-style-type: none"> • Check fuse or reset circuit breaker. • Select a heat setting, not air fluff. • Check that the gas supply is on for gas dryers. • Clean the lint filter and exhaust duct. • Dryer timer may have moved into the cool-down portion of the cycle.
Doesn't Dry Properly	<p>Check all of the above, plus . . .</p> <ul style="list-style-type: none"> • Check the exhaust hood outside the house, make sure it opens and closes freely. • Check exhaust system for lint buildup. Ducting should be inspected and cleaned annually. • Use rigid 4" metal exhaust duct. • Do not overload. 1 wash load = 1 dryer load. • Sort heavy items from lightweight items. • Large, bulky items like blankets or comforters may require repositioning to ensure even drying. • Check the washer to be sure it is draining properly to extract water from the load. • Clothes load is too small to tumble properly. Add a few towels.
Is Noisy	<ul style="list-style-type: none"> • Check the load for objects such as coins, nails, etc. Remove promptly from dryer. • It is normal to hear the dryer gas valve or heating element cycle on and off during the drying cycle. • The dryer should be level and installed on a solid floor. • A clicking noise may be the timer advancing. • It is normal for the dryer to hum due to the high velocity of air moving through the dryer drum and exhaust system.
Control Knob Advances Slowly (select models)	<ul style="list-style-type: none"> • This is normal operation for an Auto Dry or Sensor cycle, especially at the beginning of cycle. Once the load begins to dry, the control knob will start to advance. The rate of advancement will be slow at the beginning of the cycle because there is more moisture in the load. As the load becomes more dry, the control knob will advance more quickly.
Dries Unevenly	<ul style="list-style-type: none"> • Seams, pockets and other similar heavy areas may not be completely dry when the rest of the load has reached the selected dryness level. This is normal. Select the More Dry setting if desired. • If one heavy item is dried with a lightweight load, such as one towel with sheets, it is possible that the heavy item will not be completely dry when the rest of the load has reached the selected dryness level. Sort heavy items from lightweight items for best drying results.
Has an Odor	<ul style="list-style-type: none"> • Household odors such as from painting, varnishing, strong cleaners, etc. may enter the dryer with the surrounding room air. This is normal as the dryer draws the air from the room, heats it, pulls it through the tumbler and exhausts it to the outside. When these odors are present in the air, ventilate the room completely before using the dryer.

For further assistance contact Maytag ServicesSM, Customer Assistance: U.S.A. 1-800-688-9900 or Canada 1-800-688-2002. U.S.A. Customers using TTY for deaf, hearing impaired or speech impaired, call 1-800-688-2080.



Warranty & Service

Warranty

Limited One Year Warranty - Parts and Labor

For **one (1) year** from the original retail purchase date, any part which fails in normal home use will be repaired or replaced free of charge.

Canadian Residents

The above warranties only cover an appliance installed in Canada that has been certified or listed by appropriate test agencies for a compliance to a National Standard of Canada unless the appliance was brought into Canada due to transfer of residence from the United States to Canada.

*The specific warranties expressed above are the **ONLY** warranties provided by the manufacturer. These warranties give you specific legal rights, and you may also have other rights which vary from state to state.*

CUSTOMER'S SOLE AND EXCLUSIVE REMEDY UNDER THIS LIMITED WARRANTY SHALL BE PRODUCT REPAIR AS PROVIDED HEREIN. IMPLIED WARRANTIES, INCLUDING WARRANTIES OF MERCHANTABILITY OR FITNESS FOR A PARTICULAR PURPOSE, ARE LIMITED TO ONE YEAR OR THE SHORTEST PERIOD ALLOWED BY LAW. MAYTAG CORPORATION SHALL NOT BE LIABLE FOR INCIDENTAL OR CONSEQUENTIAL DAMAGES. SOME STATES AND PROVINCES DO NOT ALLOW THE EXCLUSION OR LIMITATION OF INCIDENTAL OR CONSEQUENTIAL DAMAGES, OR LIMITATIONS ON THE DURATION OF IMPLIED WARRANTIES OF MERCHANTABILITY OR FITNESS, SO THESE EXCLUSIONS OR LIMITATIONS MAY NOT APPLY TO YOU. THIS WARRANTY GIVES YOU SPECIFIC LEGAL RIGHTS AND YOU MAY ALSO HAVE OTHER RIGHTS, WHICH VARY STATE TO STATE OR PROVINCE TO PROVINCE.

What is Not Covered By These Warranties

1. Conditions and damages resulting from any of the following:
 - a. Improper installation, delivery, or maintenance.
 - b. Any repair, modification, alteration, or adjustment not authorized by the manufacturer or an authorized servicer.
 - c. Misuse, abuse, accidents, unreasonable use, or acts of God.
 - d. Incorrect electric current, voltage, electrical and/or gas supply.
 - e. Improper setting of any control.
2. Warranties are void if the original serial numbers have been removed, altered, or cannot be readily determined.
3. Light bulbs, water filters and air filters.
4. Products purchased for commercial or industrial use.
5. The cost of service or service call to:
 - a. Correct installation errors. For products requiring ventilation, rigid metal ducting must be used.
 - b. Instruct the user on the proper use of the product.
 - c. Transport the appliance to and from the servicer.
6. Any food loss due to refrigerator or freezer product failures.
7. Expenses for travel and transportation for product service in remote locations.
8. Outside of the United States and Canada this warranty does not apply. Contact your dealer to determine if another warranty applies.
9. Consequential or incidental damages sustained by any person as a result of any breach of these warranties. Some states do not allow the exclusion or limitation of consequential or incidental damages, so the above exclusion may not apply.

If You Need Service

First see the Troubleshooting section in your Use and Care Guide or call the dealer from whom your appliance was purchased or call Maytag Services, LLC, Customer Assistance at 1-800-688-9900 USA and 1-800-688-2002 Canada to locate an authorized servicer.

- Be sure to retain proof of purchase to verify warranty status. Refer to WARRANTY for further information on owner's responsibilities for warranty service.
- If the dealer or service company cannot resolve the problem, write to Maytag Services, LLC, Attn: CAIR® Center, P.O. Box 2370, Cleveland, TN 37320-2370, or call **1-800-688-9900 USA and 1-800-688-2002 Canada**. U.S. customers using TTY for deaf, hearing impaired or speech impaired, call 1-800-688-2080.
- User's guides, service manuals and parts information are available from Maytag Services, LLC, Customer Assistance.

Notes: When writing or calling about a service problem, please include:

- a. Your name, address and telephone number;
- b. Model number and serial number;
- c. Name and address of your dealer or servicer;
- d. A clear description of the problem you are having;
- e. Proof of purchase (sales receipt).

Amana®

ND-1

Sécheuse

Guide d'utilisation et d'entretien



Importantes consignes
de sécurité 15-16



Utilisation des commandes
Modèles à séchage automatique17-18
Commandes électroniques19-21



Fonctionnement 22



Accessoires 22



Nettoyage et entretien 23



Inversion de porte 24



Conseils pour l'évacuation
de l'air 25



Recherche des pannes 26



Garantie et service
après-vente 27

Guía de uso y cuidado 28





Importantes consignes de sécurité

Installateur : Remettre ce guide au propriétaire.

Consommateur : Lire le guide; le conserver pour consultation ultérieure. Conserver la facture d'achat ou le chèque encaissé comme preuve de l'achat.

Numéro de modèle _____

Numéro de série _____

Date d'achat _____

Pour toute question, contacter :

Service à la clientèle

1-800-688-2002 Canada

(lundi au vendredi, 8 h à 20 h, heure de l'Est)

Site Internet: <http://www.amana.com>

En raison de nos efforts constants d'amélioration de la qualité de nos appareils électro-ménagers, il se peut qu'une machine à laveuse soit modifiée sans que le guide soit révisé.

Pour le service après-vente, voir page 27.

Ce qu'il faut savoir à propos des consignes de sécurité

Les consignes de sécurité et les mises en garde présentées dans ce guide ne couvrent pas toutes les situations possibles. Faire preuve de jugement, de prudence et d'attention lors de l'installation, de l'entretien et de l'utilisation de l'appareil.

Lorsque survient un problème ou une situation inhabituelle, toujours communiquer avec le fabricant.

Reconnaissez les étiquettes, phrases ou symboles sur la sécurité

AVERTISSEMENT

AVERTISSEMENT – Risques ou pratiques non sûres, qui **POURRAIENT** résulter en de graves blessures ou même la mort.

ATTENTION

ATTENTION – Risques ou pratiques non sûres qui **POURRAIENT** résulter en blessures mineures.

AVERTISSEMENT

Pour votre sécurité, suivre les instructions données dans ce guide afin de réduire les risques d'incendie ou d'explosion et d'éviter dommages matériels, blessures et décès.

- Ne pas entreposer ni utiliser d'essence ou autres liquides et vapeurs inflammables à proximité de cet appareil ou de tout autre appareil ménager.

QUE FAIRE S'IL Y A UNE ODEUR DE GAZ :

- N'allumer aucun appareil.
- N'actionner aucun commutateur électrique.
- Ne pas utiliser le téléphone dans votre maison ou dans votre immeuble.
- Faire sortir tous les occupants de la pièce, du logement ou immeuble ou des environs.
- Appeler immédiatement la compagnie de gaz en utilisant le téléphone d'un voisin. Suivre les instructions de la compagnie de gaz.
- En cas d'impossibilité de joindre la compagnie de gaz, appeler les pompiers.

L'installation et toutes les réparations doivent être effectuées par un technicien qualifié, un prestataire de services ou la compagnie de gaz.

AVERTISSEMENT! RISQUE D'INCENDIE

Ne pas sécher d'articles qui ont trempé dans de l'huile végétale ou de l'huile de cuisson ou en sont tachés. Même après avoir été lavés, ces articles peuvent encore contenir des quantités non négligeables de ces substances. L'huile dont ils sont encore imbibés peut prendre feu spontanément. Le risque de combustion spontanée de ces articles augmente quand ils sont exposés à la chaleur. Des sources de chaleur, telles qu'une sècheuse, peuvent chauffer ces articles et entraîner une réaction d'oxydation de l'huile. L'oxydation produit de la chaleur. Si cette chaleur n'est pas dissipée, les articles peuvent chauffer suffisamment pour prendre feu. Le fait d'empiler ou d'entreposer ce type d'articles peut empêcher la dissipation de la chaleur et créer ainsi un risque d'incendie.

Tous les articles, lavés ou non, qui contiennent de l'huile végétale ou de l'huile de cuisson sont un danger potentiel. Le fait de les laver à l'eau chaude avec une plus grande quantité de détergent que la normale réduit les risques mais ne les élimine pas. Toujours utiliser le cycle Cool Down (cycle de refroidissement) pour réduire la température de ce type d'article. Ne jamais retirer ces articles de la sècheuse alors qu'ils sont encore chauds ni interrompre le cycle de séchage avant que l'appareil n'ait effectué un cycle de refroidissement. Ne jamais empiler ou entreposer ces articles pendant qu'ils sont encore chauds.



Importantes consignes de sécurité

⚠ AVERTISSEMENT

Pour réduire les risques d'incendie, d'explosion, d'électrocution ou de blessures lors de l'utilisation de cet appareil, suivre les précautions d'usage, dont les suivantes :

1. Lire toutes les instructions avant d'utiliser l'appareil.
2. Pour éviter les risques d'incendie ou d'explosion :
 - a. **Ne pas** sécher d'articles qui ont auparavant été nettoyés ou lavés à l'aide d'essence, de solvants de nettoyage à sec ou d'autres produits explosifs ou inflammables, ou qui en sont imbibés ou éclaboussés, car ces substances produisent des vapeurs qui peuvent s'enflammer ou exploser. Tout tissu sur lequel des solvants de nettoyage ont été utilisés ou qui sont saturés de liquides ou solides inflammables ne doit pas être mis dans la sècheuse avant que toute trace et toute vapeur de ces liquides ou solides ne soient complètement éliminées. De nombreux produits extrêmement inflammables sont communément utilisés à la maison, entre autres l'acétone, l'alcool dénaturé, l'essence, le kérosène, certains produits de nettoyage ménagers, les détachants, la térébenthine, les cires et les décapants de cire.
 - b. Les articles contenant du caoutchouc mousse (l'étiquette indique parfois : mousse de latex) ou tout matériau de texture similaire ne doivent pas être séchés sur un cycle utilisant de l'air chaud. Lorsqu'ils sont exposés à la chaleur, ces matériaux peuvent, dans certaines conditions, s'enflammer par un phénomène de combustion spontanée.
3. **Ne pas** permettre aux enfants ou aux animaux familiers de jouer sur l'appareil, à l'intérieur ou en face de celui-ci. Une supervision étroite est nécessaire lorsque l'appareil est utilisé à proximité d'enfants ou d'animaux familiers.
4. Avant de mettre l'appareil hors service ou au rebut, retirer la porte du compartiment de séchage.
5. **Ne pas** mettre la main ou le bras dans l'appareil si le tambour est en mouvement.
6. **Ne pas** installer ou remiser l'appareil dans un endroit où il est exposé aux intempéries.
7. **Ne pas** modifier les mécanismes de commande.
8. **Ne pas** réparer ou remplacer une pièce de l'appareil ou procéder à un dépannage, sauf si les instructions publiées le recommandent et que la personne effectuant la réparation les comprend et possède les connaissances voulues pour les exécuter.
9. **Ne pas** utiliser d'assouplissant textile ni de produit visant à réduire l'électricité statique sauf si le fabricant de ces produits recommande leur usage dans la sècheuse.

10. Nettoyer le filtre à charpie avant et après chaque utilisation.
11. Éviter l'accumulation de charpie, de poussière et de saleté directement autour du conduit d'évacuation et dans toute la zone environnante.
12. Faire nettoyer régulièrement l'intérieur de la sècheuse et du conduit d'évacuation par des techniciens qualifiés.
13. Cet appareil doit être correctement mis à la terre. **Ne jamais** brancher le câble électrique de l'appareil sur une prise murale non mise à la terre conformément aux codes locaux et nationaux. Voir les instructions d'installation pour la mise à la terre de cet appareil.
14. **Ne pas** s'asseoir sur la sècheuse.

Mesures de sécurité importantes

En application de la loi californienne concernant la salubrité de l'eau et la protection contre les substances chimiques California Safe Drinking Water and Toxic Enforcement Act de 1986 (Proposition 65), le gouverneur de Californie est tenu de publier une liste des substances reconnues par l'état de Californie comme étant cancérigènes ou pouvant être cause d'infertilité, et les commerces et industries sont tenus d'avertir les consommateurs des risques potentiels d'exposition à de telles substances.

En conséquence, les utilisateurs de l'appareil sont avertis que la combustion de gaz peut entraîner une faible exposition à certaines des substances nomenclaturées par l'état de Californie, dont le benzène, le formaldéhyde et la suie, principalement en raison d'une combustion incomplète de gaz naturel ou de gaz de pétrole liquéfié (GPL). Les conduits d'évacuation ne doivent pas être obstrués et l'exposition à ces substances peut être réduite en assurant une évacuation d'air adéquate.

⚠ AVERTISSEMENT

Il peut se produire dans votre système une fuite de gaz créant une situation dangereuse. Il n'est pas toujours possible de détecter les fuites de gaz à l'odeur. Les fournisseurs de gaz recommandent l'achat et la pose d'un détecteur de gaz homologué UL. Poser et utiliser l'appareil conformément aux indications du fabricant.

Remarque: En raison des améliorations apportées régulièrement à ses produits, Maytag se réserve le droit de modifier les spécifications sans préavis. Pour de plus amples renseignements, consulter les instructions d'installation incluses avec votre appareil avant de choisir des meubles de rangement, de faire du découpage ou de commencer l'installation.

CONSERVER CES INSTRUCTIONS



Utilisation des commandes - Modèles à

ÉTAPE 1

Sélection de la température

Afin de sélectionner la température adéquate, tourner le sélecteur de température à l'une des trois positions suivantes : Regular (normal), Medium (moyen) (certains modèles) Delicate (délicat) ou Air Fluff (gonflant).

TEMPS	TYPE DE LINGE
Regular Normal	Coton résistant ou étiquettes marquées Séchable en sècheuse
Medium Moyen (certains modèles)	Pour les tissus synthétiques infroissables/à pli permanent, les cotons légers dont l'étiquette indique sécher en sècheuse à température moyenne.
Delicate Délicat	Pour les articles qui ne supportent pas la chaleur dont l'étiquette indique Sécher en sècheuse à température douce ou Sécher en sècheuse à température tiède.
Air Fluff Gonflant	Articles devant être rafraîchis. Le linge sèche à la température ambiante.

ÉTAPE 2

Sélection des options

End of Cycle Signal (Signal de fin de cycle)

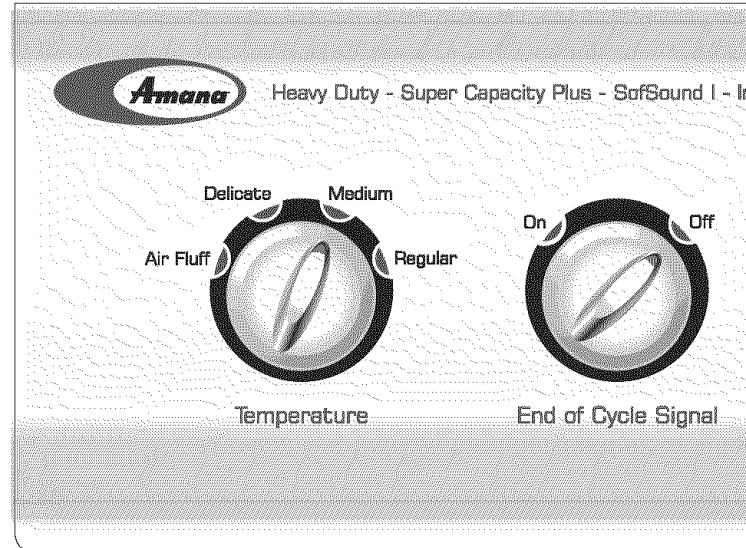
Une fois le cycle terminé, la sècheuse produit un signal sonore. Le signal sonore peut être baissé ou **arrêté**.

Enlever le linge immédiatement pour réduire le froissement.

Extended Tumble (culbutage prolongé, certains modèles)

Cette option permet de réduire le froissement au minimum lorsque le cycle Auto Dry No Iron Fabrics est sélectionné. Le linge continue à culbuter à froid pendant 60 minutes à la fin du cycle. On peut enlever le linge à tout moment de cette portion du cycle.

Il est possible d'annuler les 60 minutes supplémentaires de culbutage à froid en mettant le sélecteur sur **Off** (arrêt).



ÉTAPE 3

Sélectionner un cycle

Pour sélectionner un cycle, tourner le sélecteur au réglage désiré. L'utilisation d'un cycle de Auto Dry Regular (séchage automatique) signifie que le sélecteur doit pointer entre More Dry (plus sec) et Less Dry (moins sec) pour la plupart des charges.

Les plus grosses charges nécessitent parfois le réglage More Dry pour sécher complètement. Il est préférable de sécher le linge au réglage Less Dry lorsque les tissus sont plus légers ou que le linge doit rester légèrement humide à la fin du cycle.

Auto Dry Regular (séchage automatique des tissus normal)

Le cycle de séchage automatique normal est conçu pour sécher la plupart des articles en coton et le linge de maison. À la fin du cycle, les vêtements refroidissent pendant environ 10 minutes pour réduire faux les plis.

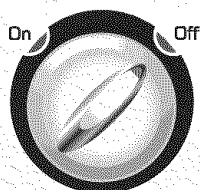
Auto Dry No Iron Fabrics (tissus sans repassage séchage automatique)

Ce cycle est prévu pour le séchage automatique des cotons, tissus synthétiques, tricotés doubles et autres tissus infroissables. À la fin du cycle, les vêtements sont refroidis pendant 10 minutes environ pour réduire les faux plis. Si la charge n'est pas enlevée de la sècheuse et qu'un **Extended Tumble** (culbutage prolongé, certains modèles) a été choisi, le cycle avance jusqu'à Culbutage prolongé pour un supplément de culbutage sans chaleur (voir étape 2).

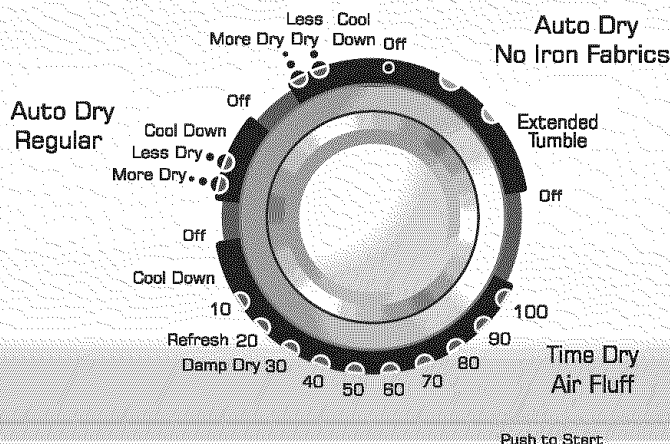
séchage automatique

Cycles et options peuvent varier par modèles.

Superior Light - 8 Cycles



Extended Tumble
Wrinkle Out



Time Dry/Air Fluff (séchage minuté/gonflant)

Ce cycle peut être utilisé pour minuter le séchage. S'utilise avec les réglages de température Air Fluff (gonflant), Delicate (délicat), Medium (moyen, certains modèles) ou Regular (normal). Pour un séchage minuté, tourner le sélecteur jusqu'à ce que la flèche pointe vers la durée de séchage désirée pour le cycle séchage minuté/gonflant.

Remarque: L'utilisation du réglage Air Fluff prolonge la durée du séchage.

Damp Dry (séchage partiel)

Damp Dry se trouve sur la partie Time Dry/Air Fluff du sélecteur. Cette option est conçue pour sécher partiellement le linge et peut s'utiliser avec tous les réglages de température. La sécheuse fonctionne à chaud pendant 20 minutes, puis passe à une période de culbutage de refroidissement 10 minutes.

Touch Up/Refresh (Retouches/rafraîchissement)

Le réglage Touch Up/Refresh enlève les faux plis des articles qui sont propres et secs, mais seulement légèrement froissés, comme sortis d'une armoire ou d'une valise bien remplie, ou encore s'ils sont restés trop longtemps dans la sécheuse après la fin du cycle. Ce réglage procure 10 minutes de culbutage, suivies par 10 minutes de culbutage avec refroidissement. Il peut être utilisé avec tout réglage de température.

ÉTAPE 4

Pousser sur le sélecteur pour mettre en marche

Pousser sur le sélecteur pour mettre la sécheuse en marche. La porte de celle-ci doit d'abord être fermée.

Remarque: Le sélecteur peut être tourné dans l'une ou l'autre direction. Il ne progresse pas à vitesse régulière pendant les cycles de Auto Dry (séchage automatique). Au départ, il peut rester immobile sur le même point. Vers la fin du cycle (quand le linge commence à sécher), il progresse à un rythme plus régulier et beaucoup plus rapide. Ceci est normal.



Utilisation des commandes - commandes

ÉTAPE 1

Sélection de la température

Auto Temp (temp. autom., réglage préféré)

Avec ce cycle, la sècheuse choisit **automatiquement la température** de séchage la plus appropriée selon le cycle et le réglage choisis.

Si vous préférez ne pas utiliser le cycle Température Automatique, tournez le **sélecteur de température** au réglage désiré.

TEMPS	TYPE DE LINGE
Regular Normale	Coton résistant ou étiquettes marquées Sécher en sècheuse.
Medium Moyen	Pour les tissus synthétiques infroissables/à pli permanent, les cotons légers dont l'étiquette indique sécher en sècheuse à température moyenne.
Delicate Délicat	Pour les articles qui ne supportent pas la chaleur dont l'étiquette indique Sécher en sècheuse à température douce ou Sécher en sècheuse à température moyenne.
Air Fluff Gonflant	Articles devant être rafraîchis. Le linge sèche à la température ambiante. Choisissez le cycle de séchage minuté/gonflant.

ÉTAPE 2

Sélection des options

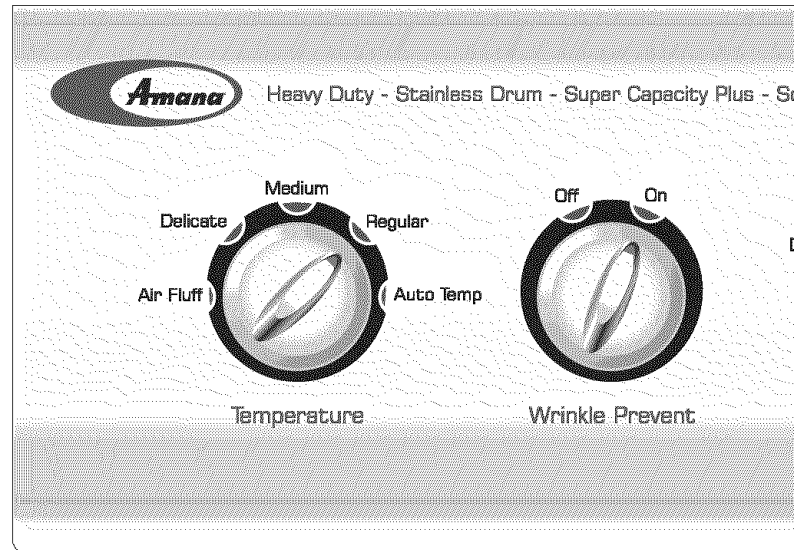
(le cas échéant)

End of Cycle Chime (signal de fin de cycle)

Lorsque le cycle est terminé, un signal sonore retentit. Il retentit par intermittence pendant le cycle Wrinkle Prevent (antiplis). Pour arrêter le signal sonore, tournez le sélecteur de signal sonore sur **Off** (arrêt).

Wrinkle Prevent (Antiplis)

Ce cycle fournit 95 minutes environ de culbutage par intermittence avec de l'air non chauffé à la fin du cycle, pour réduire les faux plis. Mettez le bouton Wrinkle Prevent sur **On** (marche) pour activer cette fonction (certains modèles). Il est possible d'annuler les 95 minutes supplémentaires de culbutage à froid en mettant le sélecteur sur **Off** (arrêt).



ÉTAPE 3

Sélection du degré de séchage

Pour ce faire, tournez le bouton de **Dryness Settings** (réglage de séchage) au niveau désiré.

Pour la majorité des charges, choisissez le réglage Normal Dry (normale sec). Le séchage complet d'articles gros ou volumineux peut nécessiter le réglage More Dry (plus sec) pour obtenir un séchage complet.

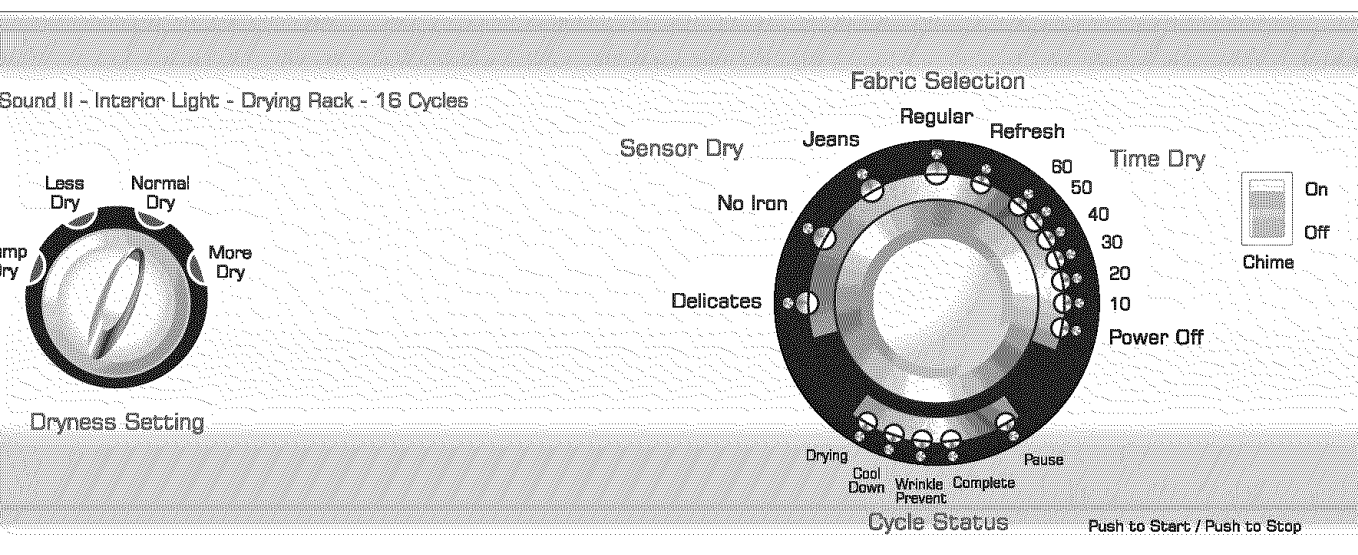
Le réglage Less Dry (moins sec) convient le mieux aux tissus légers ou pour laisser une certaine humidité dans les vêtements à la fin du cycle. Le Damp Dry (séchage humide) est prévu pour le séchage partiel. S'utilise pour les articles à suspendre ou à étendre à plat.

ÉTAPE 4

Sélection du cycle

Pour choisir un cycle, tournez le **sélecteur** jusqu'au cycle désiré. Le voyant près du cycle sélectionné s'allume.

Les cycles de la sècheuse sont commandés par capteur. Le Sensor Dry (séchage - capteur) détecte automatiquement l'humidité dans le linge et arrête la sècheuse lorsque le niveau de séchage choisi (séchage humide à plus sec) est atteint.



Cycles et options peuvent varier par modèles.

Refresh (rafraîchissement)

Ce cycle permet de défroisser des articles propres et secs, et légèrement froissés, comme ceux provenant d'une armoire trop encombrée, d'une valise trop remplie ou s'ils sont restés trop longtemps dans la sècheuse après la fin du cycle. Ce cycle peut être utilisé avec n'importe quelle température.

Regular (normal)

Ce cycle est prévu pour sécher des serviettes et sous-vêtements.

Jeans

Ce cycle est prévu pour réduire les faux plis et l'emmêlement des charges de jeans.

No Iron (tissus sans repassage)

Le cycle tissus sans repassage est conçu pour le séchage automatique des cotons, tissus synthétiques, jersery infroissables et des tissus à pressage permanent. Le cycle réduit au minimum rider en fournissant une plus longue période fraîche-vers le bas non chauffée à la fin du cycle.

Delicates (linge délicat)

Ce cycle Delicates est prévu pour le séchage à la température de la séchage des délicats.

Time Dry (séchage minuté)

Ce cycle peut être utilisé pour ajuster la durée de séchage. S'utilise avec tout réglage de température. Pour le séchage minuté, tournez le sélecteur de cycle sur le nombre de minutes désiré. Un voyant s'allume à côté du réglage.

Remarque : Le réglage Air Fluff (gonflant) nécessite une durée de séchage plus longue.

ÉTAPE 5

Mise en marche de la sècheuse

Après avoir choisi le cycle et les options, appuyez sur le **sélecteur** pour mettre la sècheuse en marche. Pour mettre la sècheuse en pause, appuyez à nouveau sur le **sélecteur** ou ouvrez la porte. Pour relancer le cycle, appuyez sur le **sélecteur** et le cycle reprendra là où il a été interrompu.

Power Off (arrêt)

Tournez le **sélecteur** sur **Power Off** (arrêt) et appuyez sur le **sélecteur** pour annuler le cycle et arrêter la sècheuse.

suite...



Utilisation des commandes - commandes électroniques

Caractéristiques

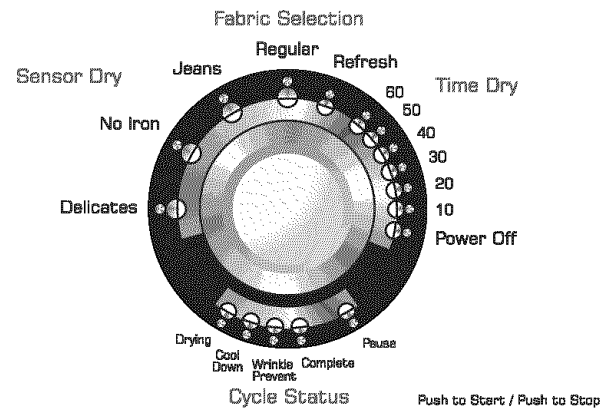
Voyants de cycle

Le voyant de Drying (séchage) s'allume et reste allumé jusqu'à ce que la sécheuse commence la partie refroidissement du cycle. Lorsque la sécheuse atteint cette partie du cycle, le voyant de Cool Down (refroidissement) s'allume.

Le voyant Wrinkle Prevent (antiplis) s'allume lorsque la sécheuse a commencé la partie antiplis du cycle. Sur certains modèles, la fonction antiplis suit automatiquement le cycle antifroissement.

Le voyant de Complete (fin de cycle) s'allume lorsque le cycle est terminé. Il reste allumé tant que la porte de la sécheuse reste fermée.

Si la sécheuse fait une pause pendant un cycle, le voyant Pause s'allume jusqu'à ce que le cycle reprenne ou que la sécheuse soit arrêtée.

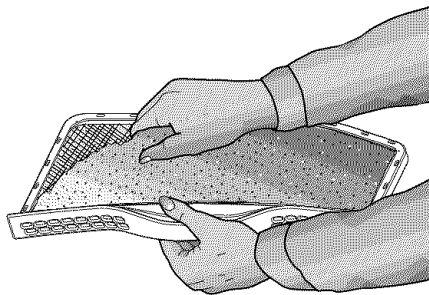




Fonctionnement

Nettoyer le filtre à charpie

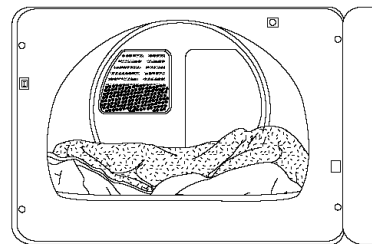
- Après chaque utilisation.
- Pour réduire le temps de séchage.
- Pour un fonctionnement plus économe en énergie.



Remarque: Ne pas faire fonctionner la sécheuse sans que le filtre soit en place.

Charger la sécheuse correctement

- En mettant une seule charge de linge à la fois.
- En évitant le mélange de différents types de linge. Les tissus légers seront secs alors que les tissus épais seront encore humides.
- En ajoutant un ou plusieurs articles de même type lorsqu'un ou deux articles seulement doivent être séchés. Le linge tourne mieux dans la sécheuse et sèche plus efficacement.
- Toute surcharge nuit au fonctionnement de la sécheuse, ce qui entraîne un séchage inégal, de même qu'un excès de plis dans certains tissus.
- Lors du séchage d'articles de grande taille et volumineux, comme couvertures ou dessus de lit, il peut être nécessaire de redispser la charge pendant le cycle afin d'obtenir un séchage uniforme.

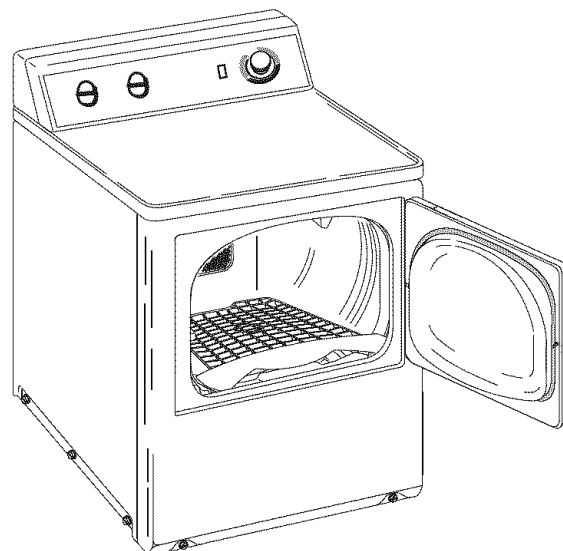


+ Accessoires

Grille de séchage en option

Certains modèles de sécheuse comporte une grille de séchage. La grille de séchage est utile pour les articles qui n'ont pas besoin d'être culbutés, comme chaussures de tennis, chandails, jouets en peluche et autres articles délicats.

Remarque: Si l'accessoire grille de séchage n'est pas inclus avec la sécheuse, prendre contact avec le revendeur ou composer le 1-800-688-8408 (p/n 504105).





Nettoyage et Entretien

Tableau de commande

Nettoyer avec un chiffon doux et humide. Ne pas utiliser de substances abrasives.

Tambour

Enlever toutes taches comme celles de crayon, de stylo ou de teinture (des nouveaux articles comme serviettes ou jeans) avec un nettoyant tout usage. Ensuite, faire sécher par culbutage avec de vieilles serviettes ou des chiffons pour enlever tout excès de taches ou de substance de nettoyage. À la suite de ces étapes, les taches peuvent encore être visibles mais ne devraient pas affecter les charges suivantes.

Carrosserie

Nettoyer toutes traces de saleté à l'eau et au savon. Si désiré, appliquer de la cire pour appareils ménagers une fois par an.

Système d'évacuation de l'air

Doit être inspecté et nettoyé entièrement une fois par an pour donner des résultats optimaux. La hotte se trouvant à l'extérieur de la résidence doit être nettoyée plus fréquemment pour assurer son bon fonctionnement. (Voir les instructions d'installation pour plus de renseignements.)

Conseils de blanchissage

Suivre les indications de l'étiquette ou les instructions du fabricant pour sécher certains articles d'un séchage plus particulier. Si l'étiquette d'entretien est absente, se guider sur les renseignements suivants.

ARTICLE	CONSEILS DE BLANCHISSAGE
Dessus de lit et douillettes	<ul style="list-style-type: none"> • Suivre les indications de l'étiquette d'entretien ou sécher en utilisant le cycle Regular. • S'assurer que l'article est parfaitement sec avant de l'utiliser ou le ranger. • Peut exiger une redistribution pour assurer un séchage uniforme.
Couvertures	<ul style="list-style-type: none"> • Sécher une seule couverture à la fois pour des résultats optimaux. • S'assurer qu'elle est parfaitement sèche avant de l'utiliser ou de la ranger.
Rideaux et tentures	<ul style="list-style-type: none"> • Utiliser le cycle No Iron pour limiter le froissement. • Pour des résultats optimaux, sécher par petites quantités et retirer de la sècheuse dès que possible.
Couches en tissu	<ul style="list-style-type: none"> • Utiliser le cycle Regular pour des couches douces et gonflantes.
Articles en duvet (vestes, sacs de couchage, douillettes, etc.)	<ul style="list-style-type: none"> • Utiliser le cycle Regular et une température Delicate (linge délicat) pour tissus fragiles. • Mettre une paire de chaussures de tennis propres dans la sècheuse avec ces articles pour leur donner plus de gonflant. L'ajout de 2 ou 3 serviettes sèches réduit le temps de séchage et absorbe l'humidité.
Mousse de caoutchouc (tapis à dos en mousse, jouets en peluche ou rembourrés, certaines épauettes, etc.)	<ul style="list-style-type: none"> • Ne pas sécher à l'air chaud. Utiliser le cycle Time Dry/Air Fluff (séchage minuté/gonflant), qui ne produit pas de chaleur. • ⚠ AVERTISSEMENT ! Sécher un article en caoutchouc à la chaleur peut l'endommager ou créer des risques d'incendie.
Oreillers	<ul style="list-style-type: none"> • Ne pas sécher les oreillers remplis de kapok ou de mousse. • Utiliser le cycle Regular. • Ajouter 2 ou 3 serviettes sèches et une paire de chaussures de tennis propres pour un meilleur culbutage et donner plus de gonflant aux oreillers.
Plastiques (rideaux de douche, couvre-meubles d'extérieur, etc.)	<ul style="list-style-type: none"> • Utiliser le cycle Time Dry/Air Fluff et la température correspondant à l'option Delicate ou Air Fluff, en fonction des indications fournies sur l'étiquette.

IMPORTANT: Éviter d'utiliser la sècheuse pour ...

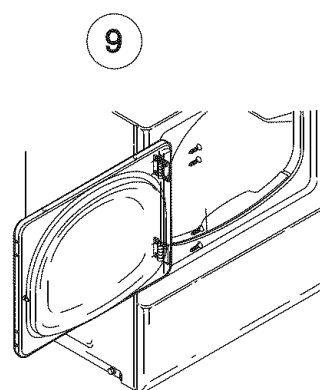
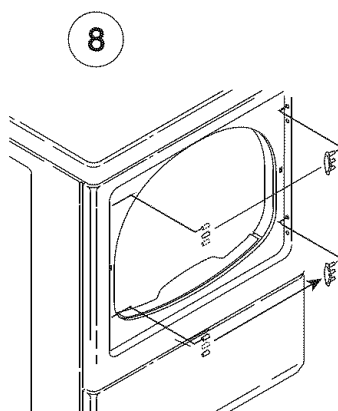
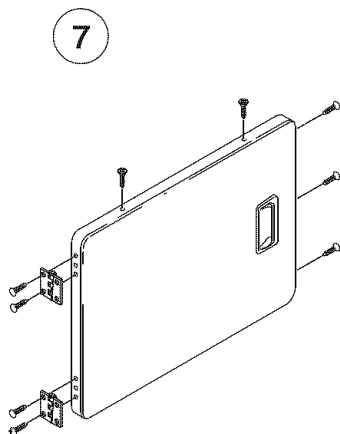
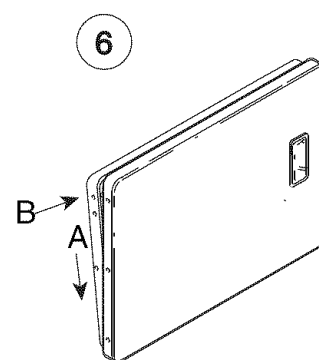
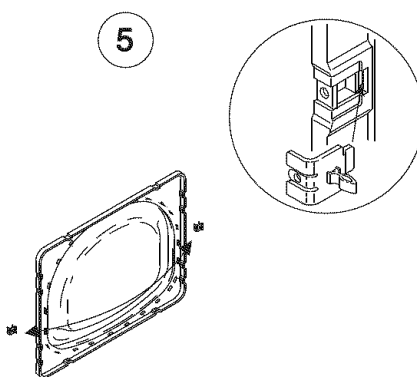
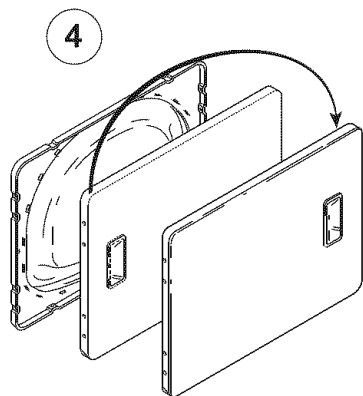
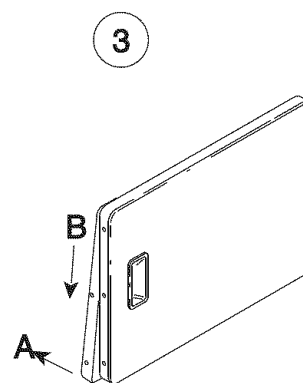
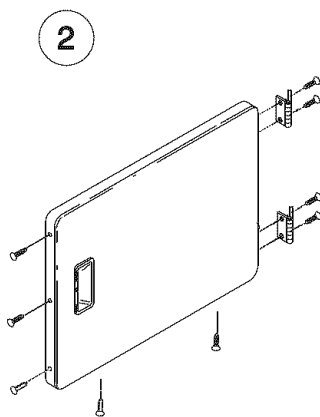
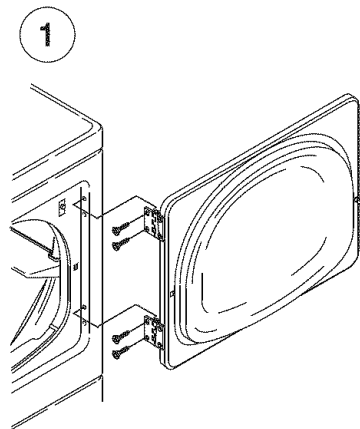
- Les articles en fibre de verre (rideaux, tentures, etc.).
- Les lainages, à moins que cela ne soit recommandé sur l'étiquette.
- Les articles imprégnés d'huile végétale ou de cuisson (voir l'avertissement de risque d'incendie, page 15).

Inversion de porte

Inversion du sens d'ouverture de la porte

Suivre ces étapes pour inverser le sens d'ouverture de la porte :

1. Retirer les quatre vis fixant les charnières.
2. Retirer les neuf vis de la porte et des charnières.
3. Tirer par le bas de la garniture (A), puis la tirer vers le bas (B), et retirer la garniture du panneau de la porte.
4. Tourner le panneau de la porte de 180°, comme il est indiqué.
5. Retirer la gâche de la porte de la garniture et la réinstaller de l'autre côté.
6. Installer la garniture sous le rebord au bas de la porte (A), puis pousser le dessus de la garniture en place (B).
7. Réinstaller les neuf vis retirées à l'étape 2.
8. À l'aide d'un tournevis, retirer les deux bouchons de porte et les réinstaller de l'autre côté de l'ouverture de la porte.
9. Réinstaller les quatre vis retirées à l'étape 1 dans les charnières.





Conseils pour l'évacuation de l'air

⚠ AVERTISSEMENT

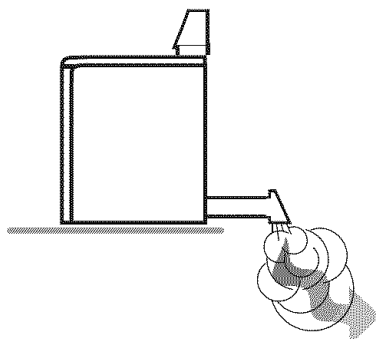
Les conduits flexibles en plastique ou non métalliques présentent des risques d'incendie.

À FAIRE

Lire les instructions d'installation et le guide d'utilisation et d'entretien.

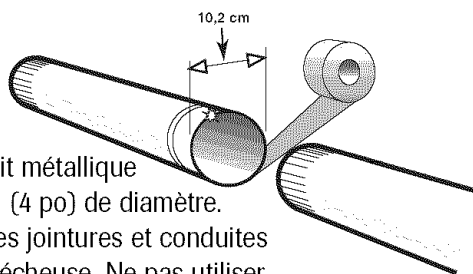
À FAIRE

Faire en sorte que l'air s'évacue de la sècheuse avec facilité.



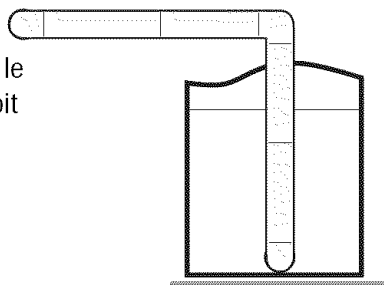
À FAIRE

Utiliser un conduit métallique rigide de 10,2 cm (4 po) de diamètre. Rubaner toutes les jointures et conduites au niveau de la sècheuse. Ne pas utiliser de vis, qui retiennent la charpie.



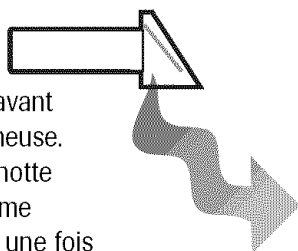
À FAIRE

S'organiser pour que le conduit soit aussi droit que possible.



À FAIRE

Nettoyer à fond tout ancien conduit d'évacuation avant d'y raccorder la nouvelle sècheuse. S'assurer que le clapet de la hotte d'évacuation s'ouvre et se ferme librement. Vérifier et nettoyer une fois par an le système d'évacuation.

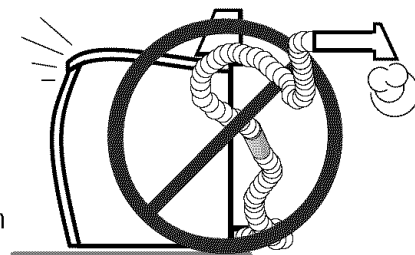


À NE PAS FAIRE

Permettre qu'un système d'évacuation inadéquat ralentisse le séchage du linge.

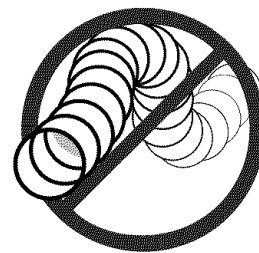
À NE PAS FAIRE

Restreindre l'efficacité de la sècheuse avec un système d'évacuation médiocre.



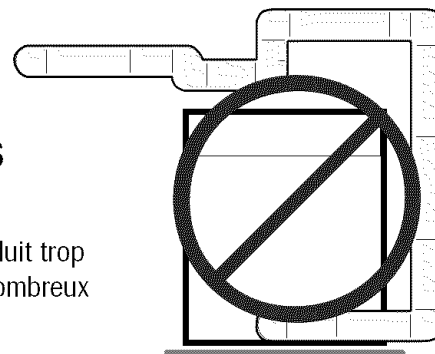
À NE PAS FAIRE

Utiliser un conduit en plastique, en aluminium fin ou un conduit flexible non métallique.



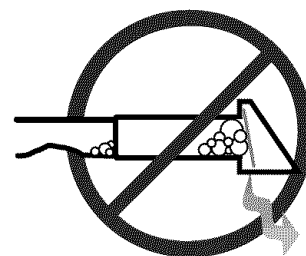
À NE PAS FAIRE

Utiliser un conduit trop long avec de nombreux coudes.



À NE PAS FAIRE

Utiliser des conduits et un clapet d'évacuation écrasés ou bloqués.





Recherche des pannes

Ne se met pas en marche	<ul style="list-style-type: none"> • S'assurer que la porte est bien fermée. • Vérifier que la sècheuse est branchée. • Vérifier le fusible ou réarmer le disjoncteur. • Pousser sur la selecteur à nouveau si la porte a été ouverte au cours du cycle.
Ne produit pas de chaleur	<ul style="list-style-type: none"> • Vérifier le fusible ou réarmer le disjoncteur. • Sélectionner un réglage avec production de chaleur, et non Air Fluff. • S'il s'agit d'une sècheuse à gaz, vérifier que le robinet d'arrivée de gaz est ouvert. • Nettoyer le filtre à charpie et le conduit d'évacuation. • La minuterie de la sècheuse peut s'être déplacée à la section refroidissement du cycle.
Sèche de façon inadéquate	<p>Vérifier ce qui précède, plus...</p> <ul style="list-style-type: none"> • Vérifier si la hotte d'évacuation à l'extérieur de la maison s'ouvre et se ferme librement. • Vérifier le système d'évacuation pour voir s'il n'y a pas d'accumulation de charpie. La conduite doit être vérifiée et nettoyée une fois par an. • Utiliser une gaine d'évacuation en métal rigide de 10,2 cm (4 po). • Ne pas trop remplir la sècheuse. Une charge de machine laveuse correspond à une charge de sècheuse. • Séparer les tissus épais des tissus légers. • Les articles de grande taille, volumineux, comme couvertures et dessus de lit peuvent exiger une redistribution afin d'assurer un séchage uniforme. • Vérifier le tuyau d'écoulement de la machine laveuse pour s'assurer qu'elle essore correctement le linge. • Charges de linge trop petites pour un culbutage satisfaisant. Ajouter quelques serviettes.
Est bruyante	<ul style="list-style-type: none"> • Vérifier qu'il n'y a pas, dans la sècheuse, d'objets tels que pièces de monnaie, clous, etc. Les enlever immédiatement. • Il est normal d'entendre le robinet à gaz ou l'élément chauffant de la sècheuse fonctionner par intermittence pendant le cycle de séchage. • La sècheuse doit être de niveau et stable. • Un petit déclic peut provenir du fonctionnement de la minuterie. • Il est normal que la sècheuse fasse un bruit de ronronnement étant donné le mouvement important d'air dans le tambour de la sècheuse et son système d'évacuation.
Le sélecteur avance lentement (certains modèles)	<ul style="list-style-type: none"> • Ceci est normal avec un cycle Auto Dry (séchage automatique) ou Sensor (capteur), surtout au début du cycle. Une fois que le linge commence à sécher, le sélecteur commence à avancer. Il avance lentement au début du cycle parce qu'il y a plus d'humidité dans le linge. Le sélecteur avance plus rapidement au fur et à mesure que le linge sèche.
Ne sèche pas uniformément	<ul style="list-style-type: none"> • Les coutures, les poches et autres endroits semblables de forte épaisseur, peuvent ne pas être complètement secs, alors que le reste a atteint le niveau de séchage choisi. Ceci est normal. Choisir le réglage More Dry (plus sec). • Si un article épais est mis à sécher avec une charge légère comme une serviette avec des draps, il est possible qu'il ne soit pas complètement sec, alors que le reste est au niveau de séchage choisi. Pour obtenir de meilleurs résultats, mettre à sécher les articles légers à part des articles épais.
Dégage une odeur	<ul style="list-style-type: none"> • Les odeurs domestiques comme peinture, vernis, nettoyants puissants, etc., peuvent atteindre la sècheuse en provenance de l'air ambiant alentour. Ceci est normal étant donné que la sècheuse extrait de l'air de la pièce, le réchauffe, puis après un passage par le tambour, l'évacue vers l'extérieur. Lorsque ces odeurs sont présentes dans l'air, bien aérer la pièce avant d'utiliser la sècheuse.

Pour toute assistance technique, communiquer avec Maytag ServicesSM,
Service-clients : au Canada : 1-800-688-2002



Garantie et service après-vente

Garantie

Garantie limitée d'un an - pièces et main-d'œuvre

Durant une période d'un (1) an à compter de la date de l'achat initial, toute pièce qui se révélerait défectueuse dans les conditions normales d'usage ménager sera réparée ou remplacée gratuitement.

Résidents du Canada

Les garanties ci-dessus couvrent un appareil installé au Canada seulement s'il a été agréé par les agences de test habilitées (vérification de la conformité à une norme nationale du Canada), sauf si l'appareil a été introduit au Canada à l'occasion d'un changement de résidence des États-Unis vers le Canada.

*Les garanties spécifiques formulées ci-dessus sont les **SEULES** que le fabricant accorde. Ces garanties vous confèrent des droits juridiques spécifiques et vous pouvez également jouir d'autres droits, variables d'un État à l'autre ou d'une province à l'autre.*

LE SEUL ET UNIQUE RECOURS DU CLIENT EN VERTU DE CETTE GARANTIE LIMITÉE EST LA RÉPARATION DU PRODUIT COMME DÉCRITE PRÉCÉDEMMENT. LES GARANTIES IMPLICITES, Y COMPRIS LES GARANTIES DE QUALITÉ MARCHANDE OU D'ADAPTATION À UN USAGE PARTICULIER, SONT LIMITÉES À UN AN OU À LA PÉRIODE LA PLUS COURTE PERMISE PAR LA LOI. MAYTAG CORPORATION NE SERA PAS TENUE RESPONSABLE DES DOMMAGES DIRECTS OU INDIRECTS. CERTAINS ÉTATS ET CERTAINES PROVINCES INTERDISENT L'EXCLUSION ET LA LIMITATION DES DOMMAGES DIRECTS OU INDIRECTS AINSI QUE LES LIMITATIONS SUR LA DURÉE DES GARANTIES IMPLICITES DE QUALITÉ MARCHANDE OU D'ADAPTATION À UN USAGE PARTICULIER. IL EST DONC POSSIBLE QUE CES LIMITATIONS NE S'APPLIQUENT PAS À VOUS. CETTE GARANTIE VOUS CONFÈRE DES DROITS JURIDIQUES SPÉCIFIQUES ET IL SE PEUT QUE VOUS AYIEZ D'AUTRES DROITS, QUI VARIENT D'UN ÉTAT À L'AUTRE OU D'UNE PROVINCE À L'AUTRE.

Ne sont pas couverts par ces garanties

1. Les problèmes et dommages résultant des situations suivantes :
 - a. Mise en service, livraison ou entretien effectués incorrectement.
 - b. Toute réparation, modification, altération et tout réglage non autorisés par le fabricant ou par un prestataire de service après-vente agréé.
 - c. Mauvais emploi, emploi abusif, accidents, usage non raisonnable, ou catastrophe naturelle.
 - d. Courant électrique, tension, alimentation électrique ou en gaz incorrects.
 - e. Réglage incorrect d'une commande.
2. Les garanties ne peuvent être honorées si les numéros de série d'origine ont été enlevés, modifiés ou ne sont pas facilement lisibles.
3. Ampoules, filtres à eau et filtres à air.
4. Les produits achetés à des fins commerciales ou industrielles.
5. Les frais de dépannage ou de visite pour :
 - a. Correction d'erreurs de mise en service. Pour les produits nécessitant une ventilation, un conduit métallique rigide doit être utilisé.
 - b. Initiation de l'utilisateur à l'emploi de l'appareil.
 - c. Transport de l'appareil chez le réparateur et retour de l'appareil chez l'utilisateur.
6. Tout aliment perdu en raison de pannes du réfrigérateur ou du congélateur.
7. Dépenses de déplacement et de transport pour la réparation du produit dans des endroits éloignés.
8. Cette garantie n'est pas valide à l'extérieur des États-Unis et du Canada. Communiquez avec votre détaillant pour savoir si une autre garantie s'applique.
9. Dommages indirects ou accessoires subis par toute personne à la suite d'une quelconque violation des garanties. Certains États ou provinces ne permettent pas l'exclusion ou la limitation de responsabilité en ce qui concerne les dommages directs ou indirects. L'exclusion ci-dessus peut en conséquence ne pas s'appliquer à votre cas.

Si vous avez besoin d'aide

Consultez d'abord la section sur le dépannage dans le manuel d'utilisation et d'entretien, puis appelez le détaillant de qui vous avez acheté votre appareil ou le service à la clientèle de Maytag Services, LLC au 1-800-688-9900 aux États-Unis et au 1-800-688-2002 au Canada pour savoir où trouver un réparateur autorisé.

- Veillez à conserver la facture d'achat pour justifier de la validité de la garantie. Pour d'autres renseignements concernant les responsabilités du propriétaire à l'égard du service sous garantie, voir le texte de la GARANTIE.
- Si le détaillant ou l'agence de service après-vente ne peut résoudre le problème, écrivez à Maytag Services, LLC à l'adresse suivante : CAIR® Center, P.O. Box 2370, Cleveland, TN 37320-2370 États-Unis, ou appelez au **1-800-688-9900 aux États-Unis ou au 1-800-688-2002 au Canada.**
- Les guides d'utilisation, les manuels de service et les renseignements sur les pièces sont disponibles auprès du service à la clientèle de Maytag Services, LLC.

Remarques : Veillez à fournir l'information suivante lorsque vous communiquez avec nous au sujet d'un problème :

- a. Vos nom, adresse et numéro de téléphone;
- b. Numéro de modèle et numéro de série de l'appareil;
- c. Nom et adresse du détaillant avec la date l'appareil acheté;
- d. Description détaillée du problème observé;
- e. Preuve d'achat (facture de vente).

Amana®

ND-1

Secadora

Guía de uso y cuidado



Instrucciones importantes
de seguridad 29-30



Uso de los controles
Modelos con secado automático 31-32
Controles electrónicos 33-35



Sugerencias para la operación 36



Accesorios 36



Cuidado y limpieza 37



Inversión de la puerta 38



Sugerencias para el escape 39



Localización y solución
de averías 40



Garantía y servicio 43





Instrucciones importantes de seguridad

Instalador: Deje esta guía con el electrodoméstico.

Cliente: Lea y conserve esta guía para futuras referencias. Conserve el recibo de compra y/o el cheque cancelado como comprobante de compra.

Número de modelo _____

Número de serie _____

Fecha de compra _____

Si tiene preguntas llame a:

Asistencia al Cliente

1-800-688-9900 EE.UU.

1-800-688-2002 Canadá

(De lunes a viernes de 8 a.m. a 8 p.m. hora del Este)

Internet <http://www.amana.com>

En nuestro esfuerzo continuo para mejorar la calidad y el rendimiento de nuestros productos, puede ser necesario hacer cambios a este electrodoméstico sin revisar esta guía.

Si desea obtener más información sobre el servicio, consulte la última página.

Ahora debe conocer las instrucciones de seguridad

Las advertencias y las instrucciones importantes de seguridad que aparecen en esta guía no tienen el propósito de cubrir todas las condiciones y situaciones posibles que podrían ocurrir. Se debe usar el sentido común, precaución y cuidado cuando se instale, se preficte mantenimiento o se use el electrodoméstico.

Siempre comuníquese con el fabricante para los asuntos relacionados con problemas o condiciones que no entienda.

Reconozca los símbolos de seguridad, advertencias, etiquetas

⚠ ADVERTENCIA

ADVERTENCIA – Peligros o prácticas no seguras que **PODRÍAN** causar lesión personal grave o mortal.

⚠ PRECAUCIÓN

PRECAUCIÓN – Peligros o prácticas no seguras que **PODRÍAN** causar lesión personal menos grave.

⚠ ADVERTENCIA

Por su seguridad, debe seguir las instrucciones de este manual para minimizar el riesgo de incendio o explosión o para evitar daños materiales, lesiones personales o la muerte.

- No almacene ni use gasolina u otros vapores y líquidos inflamables cerca de este o de cualquier otro electrodoméstico.

EN CASO DE QUE PERCIBA OLOR A GAS:

- No trate de encender ningún electrodoméstico.
- No toque ningún interruptor eléctrico.
- No use ningún teléfono en el edificio.
- Pida a todos los ocupantes de la habitación, el edificio o el área que se alejen de ella.
- Llame inmediatamente a la compañía abastecedora de gas desde el teléfono de un vecino. Siga las instrucciones de la compañía.
- Si no puede comunicarse con la compañía de gas, llame al departamento de bomberos.

La instalación y el servicio de este electrodoméstico los debe llevar a cabo un instalador calificado, centro de servicio o la compañía de gas.

⚠ ¡ADVERTENCIA! PELIGRO DE INCENDIO

No coloque dentro de la secadora artículos que se hayan manchado o empapado con aceite vegetal o de cocina. Aun después de lavarse, estos artículos pueden contener cantidades significativas de estos aceites. El aceite restante puede encenderse espontáneamente. El potencial de ignición espontánea aumenta cuando los artículos que contienen aceite vegetal o de cocina están expuestos al calor. Las fuentes de calor, tales como su secadora de ropa, pueden calentar estos artículos, permitiendo que ocurra una reacción por oxidación en el aceite. La oxidación crea calor. Si este calor no puede escapar, los artículos pueden llegar a calentarse lo suficiente como para inflamarse. El amontonar, apilar o guardar esta clase de artículos puede impedir que el calor escape creando un peligro de incendio.

Todas las telas lavadas y sin lavar que contengan aceite vegetal o de cocina pueden ser peligrosas. El lavar estos artículos en agua caliente con detergente adicional reducirá, pero no eliminará el peligro. Siempre use el ciclo de "enfriamiento" en estos artículos para reducir la temperatura de los mismos. Nunca retire estos artículos de la secadora de ropa mientras estén calientes ni interrumpa el ciclo de secado hasta que los artículos se hayan hecho pasar por el ciclo de "enfriamiento". Nunca amontone ni apile estos artículos cuando están calientes.



Instrucciones importantes de seguridad

⚠ ADVERTENCIA

Para reducir el riesgo de incendio, explosión, escape eléctrica o lesiones personales al usar su secadora, siga las precauciones básicas de seguridad, entre ellas las siguientes:

1. Lea todas las instrucciones antes de usar el aparato.
2. Para evitar la posibilidad de incendio o de explosión:
 - a. **No** seque artículos que han sido previamente lavados o sumergidos en gasolina, o limpiados o desmanchados con gasolina, solventes de lavado en seco, u otras sustancias inflamables o explosivas y que despiden vapores que podrían encenderse o explotar. Todo material en el que ha usado un solvente de limpieza, o que se ha saturado con líquidos o sólidos inflamables, no debe colocarse en la secadora hasta que todo rastro de estos líquidos o sólidos inflamables y sus vapores se hayan quitado. Hay muchos artículos altamente inflamables que se usan en los hogares, tales como: acetona, alcohol desnaturalizado, gasolina, keroseno, algunos limpiadores domésticos líquidos, algunos quitamanchas, aguarrás, ceras y quitaceras.
 - b. Los artículos que contengan espuma de goma (puede estar marcado como espuma de látex) o materiales parecidos a la goma de similar textura no deben secarse en un ajuste de calor. Los materiales de espuma de goma, cuando se calientan, pueden producir fuego por combustión espontánea bajo ciertas circunstancias.
3. **No** permita que los niños jueguen sobre, dentro ni delante del aparato. Es necesario supervisar de cerca a los niños y animales domésticos se use el aparato cerca de ellos.
4. Antes de poner fuera de servicio el electrodoméstico o de deshacerse de él, retire la puerta de la secadora.
5. **No** introduzca las manos dentro del aparato si el cilindro se está moviendo.
6. **No** instale ni guarde este aparato donde va a estar expuesto a la intemperie.
7. **No** altere los controles.
8. **No** repare ni reemplace ninguna pieza del aparato ni intente efectuar ningún servicio a menos que haya sido recomendado específicamente en las instrucciones de reparación por el usuario y que usted las comprenda y tenga habilidad para efectuarlas.
9. **No** use suavizante de telas ni otros productos para eliminar la electricidad estática a menos que el fabricante del suavizante o del producto lo recomiende para usarse en secadoras.
10. Limpie el filtro de pelusa antes o después de cada carga.

11. Mantenga el área alrededor de la abertura del escape y las áreas circundantes libres de acumulaciones de pelusa, polvo y suciedad.
12. El interior de la secadora y del conducto de escape debe ser limpiado periódicamente por personal calificado de servicio.
13. Este aparato debe estar apropiadamente conectado a tierra. **Nunca** conecte este aparato a una fuente de electricidad que no esté apropiadamente conectada a tierra y de acuerdo a las regulaciones locales y nacionales. Vea las instrucciones de instalación para la conexión a tierra de este aparato.
14. **No** se siente ni se pare en la parte superior de la secadora de ropa.

Aviso y advertencia de seguridad importantes

La Ley sobre Sustancias Tóxicas y Agua Potable Segura de California, de 1986 (Proposición 65), estipula que el gobernador de California debe publicar una lista de sustancias que el Estado de California sabe que pueden causar cáncer o daños en el sistema reproductor, y requiere que las empresas adviertan a sus consumidores sobre las exposiciones potenciales a tales sustancias.

Los usuarios de este dispositivo quedan advertidos por medio de este documento que la combustión de gas puede dar como resultado una exposición a bajo nivel de algunas de las sustancias listadas, entre ellas benceno, formaldehído y negro de humo (hollín), debido principalmente a la combustión incompleta del gas natural o petróleo líquido (LP). Los conductos de escape deben mantenerse libres de obstrucciones, y una secadora con un sistema de escape adecuadamente instalado minimizará la exposición a estas sustancias.

⚠ ADVERTENCIA

Podrían ocurrir fugas de gas en el sistema y causando una situación peligrosa. Es posible que las fugas de gas no se detecten con el olfato solamente. Los proveedores de gas recomiendan que compre e instale un detector de gas aprobado por UL. Instálelo y úselo de acuerdo con las instrucciones del fabricante.

Nota: Debido a la mejora continua de sus productos, Maytag se reserva el derecho de cambiar las especificaciones sin previo aviso. Si desea ver los detalles completos, consulte las instrucciones de instalación que vienen con su producto antes de seleccionar el tipo de gabinete, cortar las aberturas o comenzar la instalación.

CONSERVE ESTAS INSTRUCCIONES



Uso de los controles - Modelos con secado

PASO 1

Selección de la temperatura

Para seleccionar la temperatura correcta, coloque el control de temperatura en una de las siguientes cuatro opciones: regular, Medium (mediana, modelos selectos), Delicates (ropa delicada) o Air Fluff (aire solamente).

TEMPS. DE SECADORA	TIPO DE CARGA
Regular	Telas de algodón resistentes o ropa con etiqueta de secado a maquinas.
'Medium' Mediana (modelos selectos)	Para telas sintéticas inarrugables o de planchado permanente, y telas de algodón ligeras con etiqueta de secado a máquina a temperatura mediana.
'Delicates' Ropa delicada	Para telas sensibles al calor con etiqueta de secado a máquina a temperatura baja o mediana.
'Air Fluff' Aire Solamente	Ropa que necesita refrescarse. La carga se agita con aire a temperatura ambiente.

PASO 2

Selección de opciones

'End of Cycle Signal' (Señal de fin de ciclo)

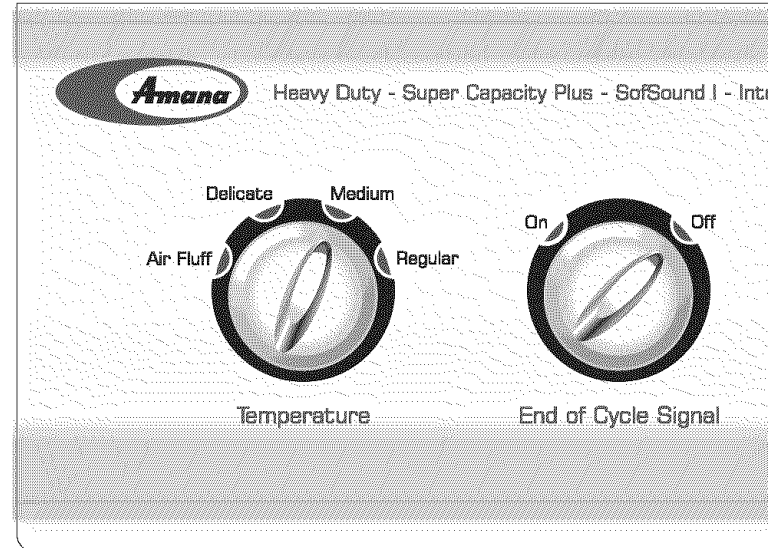
Cuando termina el ciclo, se escuchará una señal. Se puede cancelar moviendo el interruptor signal a la posición 'Off'.

Saque inmediatamente la carga para reducir el arrugado de la ropa.

'Extended Tumble' (Agitación prolongada, modelos selectos)

La opción de 'Extended Tumble' (agitación prolongada) se ofrece para minimizar las arrugas en el ciclo Auto Dry No Iron Fabrics (secado automático con control de arrugas). Esta característica permite una agitación adicional sin calor durante 60 minutos adicionales al final del ciclo. La ropa se puede sacar en cualquier momento durante esta porción del ciclo.

Los 60 minutos adicionales de agitación sin calor se pueden cancelar girando la perilla selectora hasta 'Off' (apagado).



PASO 3

Selección del ciclo

Para seleccionar un ciclo, gire el disco de control hasta el ajuste deseado. Cuando use un ciclo 'Auto Dry Regular' (secado automático regular), el disco de control debe apuntar entre 'More Dry' (más seco) y 'Less Dry' (menos seco) para la mayoría de las cargas.

Es posible que las cargas de mayor tamaño o más voluminosas requieran el ajuste 'More Dry' para secar completamente la carga. El ajuste 'Less Dry' es mejor para las telas ligeras o para dejar humedad en la ropa al final del ciclo.

'Auto Dry Regular' (Secado automático regular)

El ciclo de secado automático regular está diseñado para secar la mayoría de las telas de algodón y la ropa de cama. Al final del ciclo, la ropa se enfría durante aproximadamente 10 minutos para reducir el arrugado.

'Auto Dry No Iron Fabrics' (Secado automático telas de planchado permanente)

El ciclo 'No Iron Fabrics' ha sido diseñado para secar automáticamente algodones inarrugables, telas sintéticas, de tejido doble y de planchado permanente, sin arrugas. Al final del ciclo, la ropa se enfría por aproximadamente 10 minutos para reducir las arrugas.



Uso de los controles - Controles electrónicos

PASO 1

Selección de temperatura

'Auto Temp' (temperatura automática) (ajuste preferido)

Cuando se elige la opción de **'Auto Temp'**, la secadora seleccionará automáticamente la temperatura de secado más adecuada de acuerdo con el ciclo y el nivel de secado programados.

Si prefiere no usar Auto Temp, gire la perilla de **selección de temperatura** al ajuste deseado.

TEMPS. DE SECADO	TIPO DE CARGA
Regular	Telas de algodón resistentes o ropa con etiqueta de secado a máquina.
'Medium' Mediana (modelos selectos)	Para telas sintéticas inarrugables o de planchado permanente, y telas de algodón ligeras con etiquetade secado a máquina a temperatura mediana.
'Low' Bajo	Para telas sensibles al calor con etiqueta con etiqueta de secado a maquina a temperatura baja o mediana.
'Air Fluff' Aire Solamente	Ropa que necesita refrescarse. La carga se agita con aire a temperatura ambiente. Use el ciclo de secado programado.

PASO 2

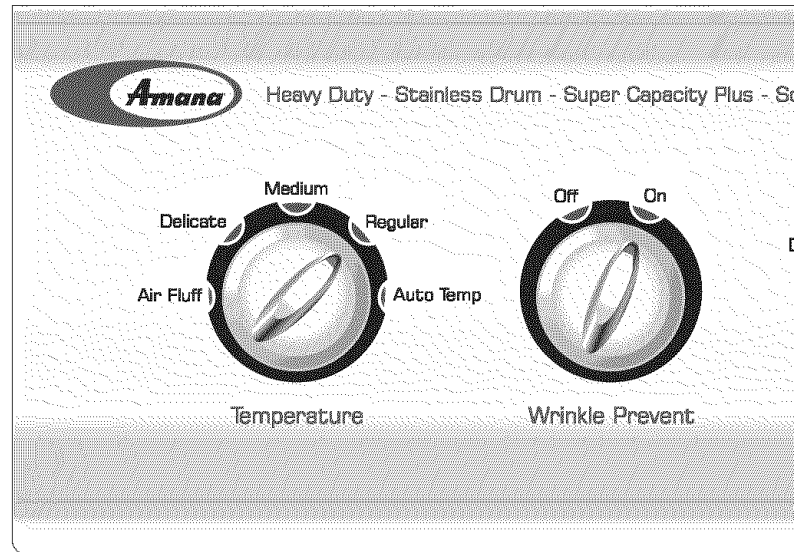
Selección de opciones (si se desea)

Timbre de fin del ciclo

Cuando el ciclo haya terminado, un timbre. El timbre sonará intermitentemente durante el ciclo 'Wrinkle Prevent' (prevención de arrugas). Para apagar el timbre, gire la perilla 'Chime' a la posición **'Off'** (apagado).

Wrinkle Prevent (prevención de arrugas)

Esta opción ofrece aproximadamente 95 minutos de acción giratoria intermitente con aire no calentado al final del ciclo para reducir las arrugas. Coloque el interruptor de prevención de arrugas en la posición **'On'** (encendido) para activar esta función. Algunos modelos proporcionan automáticamente 30 minutos de prevención de arrugas al final del ciclo de control de arrugas solamente. Los 95 minutos adicionales de acción giratoria sin calor pueden ser anulados girando el interruptor a la posición **'Off'**.



PASO 3

Ajuste de selección del nivel de secado

Para seleccionar el nivel de secado, gire la perilla **'Dryness Setting'** (ajuste de nivel de secado) a la posición deseada.

La mayoría de las cargas usan el ajuste de 'Normal Dry' (secado normal). Las cargas de mayor tamaño o de artículos más voluminosos pueden requerir el ajuste 'More Dry' (más seco) para secar completamente la carga.

El ajuste 'Less Dry' (menos seco) es mejor para las telas más livianas o para dejar algo de humedad en la ropa al finalizar el ciclo. El ajuste 'Damp Dry' (húmedo seco) está diseñado para secar parcialmente la ropa. Use este ajuste para artículos que deban extenderse o colgarse para secarlos.

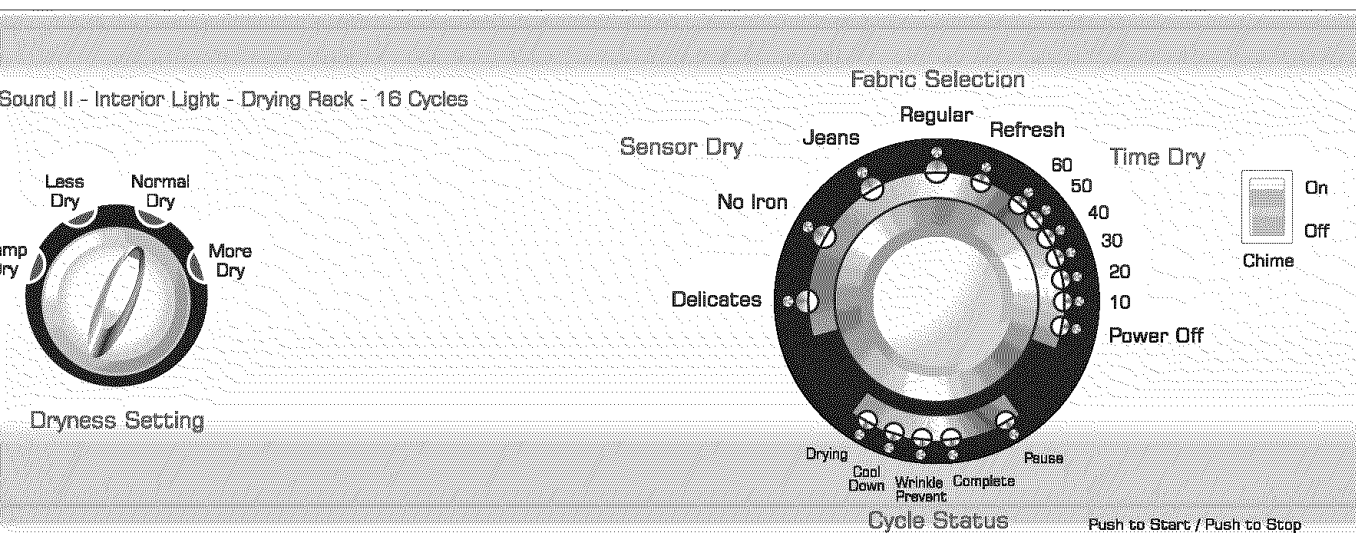
PASO 4

Selección el ciclo

Para seleccionar un ciclo, gire el **disco de control** (selección del ciclo) hasta el ajuste deseado. La luz indicadora junto al nombre del ciclo se iluminará.

Los ciclos de la secadora son ciclos 'Sensor Dry' (secado con sensor). El sensor de secado detecta automáticamente el nivel de humedad de la ropa y apaga la secadora cuando el nivel de secado seleccionado (entre secado húmedo y más seco) es alcanzado.

Los ciclos y las opciones pueden variar dependiendo del modelo.



'Refresh' (refrescar)

El ciclo 'Refresh' está diseñado para eliminar las arrugas de los artículos que están limpios y secos pero que están ligeramente arrugados, tales como los artículos que han estado guardados en un armario lleno o en una maleta o que han estado en la secadora por demasiado tiempo después de que el ciclo ha finalizado. Este ciclo puede utilizarse con cualquier ajuste de temperatura.

'Regular'

El ciclo 'Regular' está diseñado para secar artículos como toallas y ropa interior.

'Jeans' (pantalones de mezclilla)

El ciclo de pantalones de mezclilla está diseñado para reducir las arrugas y enredos en las cargas de pantalones de mezclilla.

'No Iron' (control de arrugas)

El ciclo 'No Iron Fabrics' ha sido diseñado para secar automáticamente algodones inarrugables, telas sintéticas, de tejido doble y de planchado permanente, sin arrugas. El ciclo reduce al mínimo arrugar proporcionando un período fresco-abajo sin calentar más largo en el extremo del ciclo.

'Delicates' (ropa delicada)

El ciclo de 'Delicates' está diseñado para secar los artículos sensibles al calor a la temperatura baja de secado.

'Time Dry' (secado por tiempo)

El ciclo de 'Time Dry' (secado por tiempo) puede ser usado para controlar el tiempo de secado. Use esta opción con cualquier ajuste de temperatura. Para el secado por tiempo, gire la perilla de selección del ciclo a la cantidad de minutos deseada. Se encenderá una luz indicadora de este ajuste.

Nota: El uso de la característica de 'Air Fluff' (aire solamente) requerirá un tiempo de secado más largo.

Cont.



Usar los controles - Controles electrónicos

PASO 5

Encendido de la secadora

Después de programar el ciclo y las opciones deseadas, oprima la perilla de **selección del ciclo** para encender la secadora. Para interrumpir el ciclo, oprima la perilla de **selección del ciclo** nuevamente o abra la puerta. Para reiniciar el ciclo, oprima la perilla de **selección del ciclo** y el ciclo continuará a partir del punto de interrupción.

'Power Off' (apagado)

Gire la perilla de selección del ciclo a la posición **'Power Off'** y oprima la perilla de **selección de ciclo** para anular el ciclo y apagar la secadora.

Características

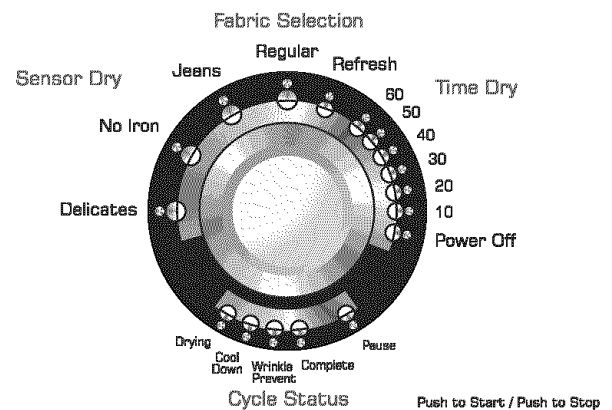
Luces indicadoras de estado del ciclo

La luz de 'Drying' (secando) se encenderá y permanecerá encendida hasta que la secadora entre en la porción de enfriamiento del ciclo. Cuando la secadora esté en la porción de 'Cool Down' enfriamiento del ciclo, la luz de enfriamiento se encenderá.

Las luces 'Wrinkle Prevent' (prevención de arrugas) y 'Complete' (completo) se encenderán cuando la secadora haya pasado a la porción de prevención de arrugas del ciclo. En algunos modelos, la opción de prevención de arrugas se activa automáticamente después del ciclo de control de arrugas.

La luz 'Complete' se encenderá cuando se haya terminado el ciclo. La luz permanecerá encendida hasta que la puerta de la secadora sea abierta.

Si se interrumpe el ciclo de la secadora, se encenderá la luz 'Pause' (interrupción) hasta que el ciclo sea reactivado o se apague la secadora.

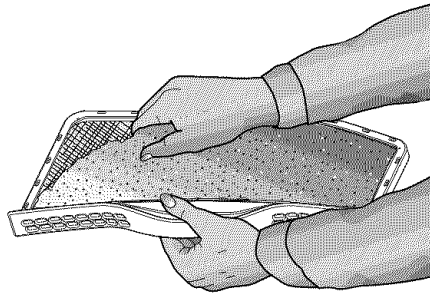




Sugerencias para la operación

Limpie el filtro para pelusa

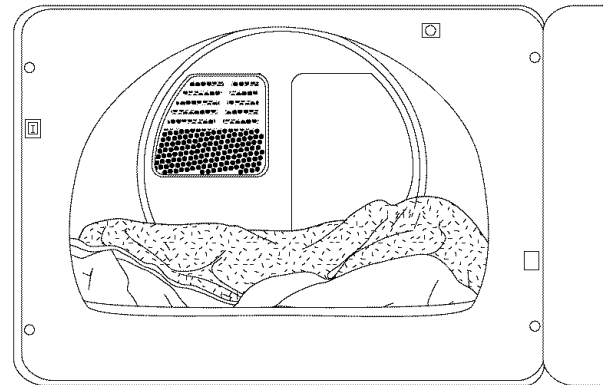
- Después de cada carga.
- Para reducir el tiempo de secado.
- Para que la secadora funcione con un consumo más eficiente de energía.



Nota: No use la secadora sin el filtro para pelusa.

Cargue adecuadamente la secadora

- Coloque en la secadora una carga a la vez.
- Las cargas mezcladas de ropa pesada y ropa ligera se secarán de manera diferente. La ropa ligera se secará, mientras que la ropa pesada puede quedar húmeda.
- Cuando necesite secar sólo una o dos prendas, añada uno o más artículos similares. De esta manera aumentará el movimiento de la ropa y la eficiencia de secado.
- Las cargas excesivas restringen el movimiento de la ropa dando como resultado un secado irregular y el arrugado excesivo de algunas telas.
- Cuando seque artículos grandes y voluminosos tal como una frazada o cobertor, puede que sea necesario redistribuir la ropa durante el ciclo para asegurar un secado uniforme.

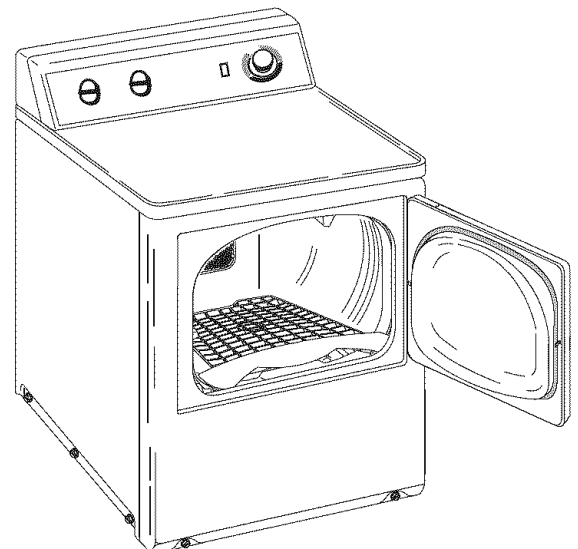


Accesorios

Rejilla de secado opcional

Algunos modelos selectos de secadora están equipados con una rejilla de secado. La rejilla de secado es útil para secar artículos que no necesitan agitarse para que se sequen, tales como zapatillas de tenis, suéteres, juguetes de peluche u otros artículos delicados.

Nota: La rejilla de secado con número de pieza 504105 está disponible si no fue incluida con su secadora. Póngase en contacto con su distribuidor o llame al 1-877-232-6771 para pedirla.





Cuidado y limpieza

Panel de control

Limpie el panel con un paño suave y húmedo. No use sustancias abrasivas.

Tambor

Quite cualquier mancha tal como de crayón, lapiceros de tinta o tintura de telas de los artículos nuevos (tales como toallas o vaqueros) con un limpiador para todo propósito. Luego seque toallas viejas o trapos para retirar cualquier residuo que haya quedado de la mancha o de los limpiadores. Una vez que ha finalizado esto, las manchas todavía pueden quedar visibles, pero no se transferirán a las otras cargas de ropa que vayan a ser secadas.

Gabinete

Borre las marcas con jabón y agua. Si lo desea, utilice cera para electrodomésticos una vez al año.

Sistema de escape de la secadora

Inspeccione y limpie una vez al año el sistema de escape para mantener un rendimiento óptimo. La campana exterior de escape debe limpiarse con más frecuencia para asegurar el funcionamiento adecuado. (Si desea más información consulte las instrucciones de instalación.)

Consejos especiales

Sírvase seguir las instrucciones de la etiqueta de cuidado o del fabricante para secar artículos especiales. Si no hay una etiqueta de instrucciones disponible, use la siguiente información como guía.

ARTICULOS	SUGERENCIAS PARA EL LAVADO DE LA ROPA
Sobrecamas y cobertores	<ul style="list-style-type: none"> • Siga las instrucciones de la etiqueta de cuidado o séquelos en el ciclo 'Regular'. • Cerciórese de que el artículo esté completamente seco antes de usarlo o guardarlo. • Puede que sea necesario redistribuir la ropa para asegurar un secado uniforme.
Frazadas	<ul style="list-style-type: none"> • Seque sólo una frazadas a la vez para lograr una mejor acción de volteo. • Cerciórese de que el artículo esté completamente seco antes de usarlo o guardarlo.
Cortinas y recubrimientos	<ul style="list-style-type: none"> • Use el ciclo 'No Iron' (control de arrugas) para minimizar las arrugas. • Seque en pequeñas cargas para lograr mejores resultados y sáquelas tan pronto como sea posible.
Pañales de tela	<ul style="list-style-type: none"> • Use el ciclo 'Regular' para hacer que los pañales queden suaves y encrespados.
Artículos rellenos de plumas (<i>chaquetas, bolsas de dormir, etc.</i>)	<ul style="list-style-type: none"> • Use el ciclo 'Regular' y un ajuste de temperatura 'Delicate' (ropa delicada). • Coloque un par de los cobertores de zapatos deportivos limpios suaves en la secadora con el artículo para encrespar los cobertores, etc. El añadir un par de toallas secas acorta el tiempo de secado y absorbe humedad.
Espuma de goma (<i>reversos de tapetes, juguetes de peluche, ciertas hombreras, etc.</i>)	<ul style="list-style-type: none"> • No intente usar un ajuste con calor. Use el ciclo 'Time Dry/Air Fluff' (Secado por tiempo/ Aire solamente) (sin calor). • ⚠ ADVERTENCIA – El secar un artículo de goma con calor puede dañar lo o crear un peligro de incendio.
Almohadas	<ul style="list-style-type: none"> • Qué no hacer seque almohadas de capoc ni de espuma en la secadora. • Use el ciclo 'Regular'. • Añada un par de toallas secas y un par de zapatos deportivos y limpios para ayudar a la acción de volteo y para encrespar el artículo.
Plásticos (<i>cortinas de baño, cubiertas de muebles exteriores, etc.</i>)	<ul style="list-style-type: none"> • Use el ciclo 'Time Dry/Air Fluff' en una temperatura 'Delicate' o 'Air Fluff' (aire solamente), dependiendo de las instrucciones de la etiqueta de cuidado.

IMPORTANTE: No seque en la secadora...

- Artículos de fibra de vidrio (cortinas, recubrimientos, etc.).
- Prendas de lana, a menos que se recomiende en la etiqueta.
- Artículos empapados en aceite vegetal o aceite para cocinar. (Vea la advertencia de peligro de incendio, página 29).



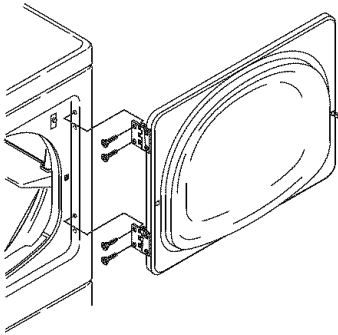
Inversión de la puerta

Inversión de la puerta

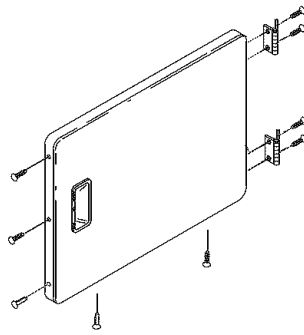
Siga estos pasos para invertir la puerta:

1. Retire los cuatro tornillos que sujetan las bisagras.
2. Retire los nueve tornillos de la puerta y de las bisagras.
3. Saque la parte inferior del forro de la puerta (A), luego tire de él hacia abajo (B) para retirar el forro de la puerta del panel de la puerta.
4. Gire el panel de la puerta 180° como se muestra.
5. Retire la chapa de la cerradura del forro de la puerta e instálela en el lado opuesto.
6. Inserte el forro debajo de la brida en la parte inferior de la puerta (A), luego oprima la parte superior del forro de la puerta hacia su lugar (B).
7. Instale nuevamente los nueve tornillos que se sacaron en el Paso 2.
8. Usando un destornillador, retire los dos tapones de la puerta e instálelos en el lado opuesto de la abertura de la puerta.
9. Vuelva instalar los cuatro tornillos que sujetan las bisagras que fueron quitados en el Paso 1.

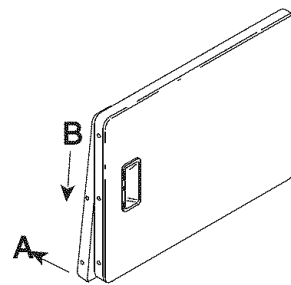
1



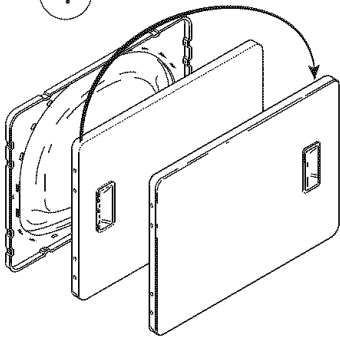
2



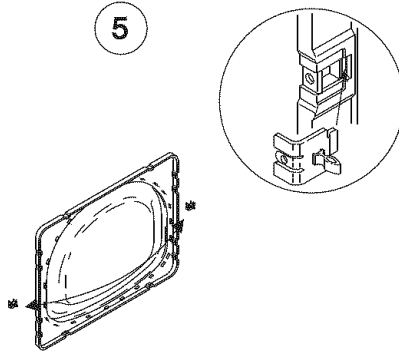
3



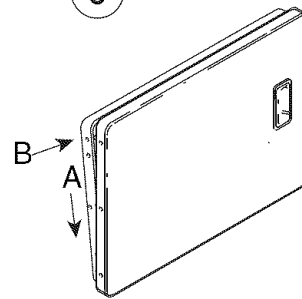
4



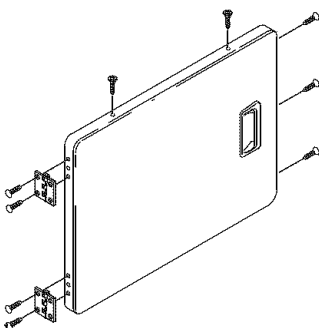
5



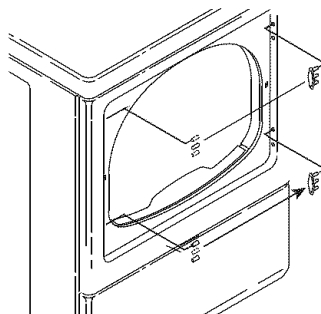
6



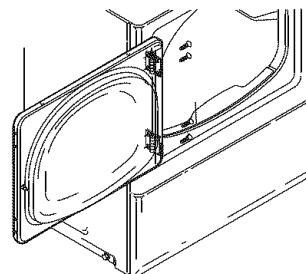
7



8



9





Sugerencias para el escape

⚠ ADVERTENCIA

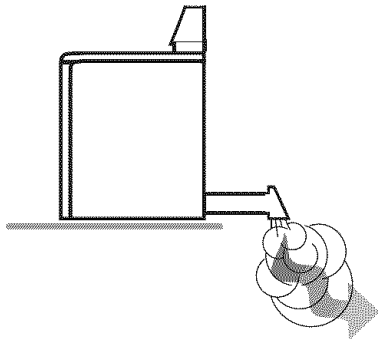
Los conductos flexibles de plástico o no metálicos presentan el riesgo de incendio.

QUÉ HACER

Sí lea las instrucciones de instalación y la guía del usuario.

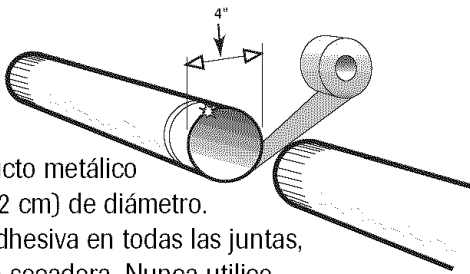
QUÉ HACER

Permita que el aire de escape salga fácilmente de la secadora.



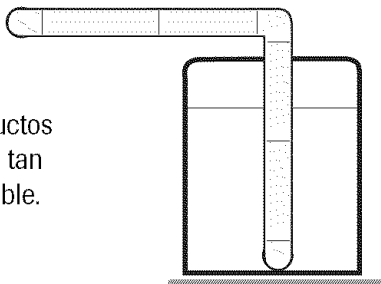
QUÉ HACER

Utilice un conducto metálico rígido de 4" (10,2 cm) de diámetro. Coloque cinta adhesiva en todas las juntas, incluyendo en la secadora. Nunca utilice tornillos que atrapan pelusa.



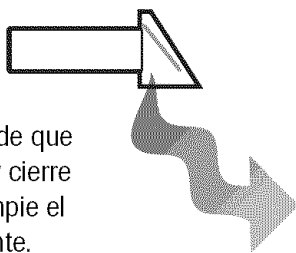
QUÉ HACER

Mantenga los conductos tendidos de manera tan recta como sea posible.



QUÉ HACER

Limpie todos los conductos viejos antes de instalar su secadora nueva. Asegúrese de que la aleta de ventilación abra y cierre libremente. Inspeccione y limpie el sistema de escape anualmente.

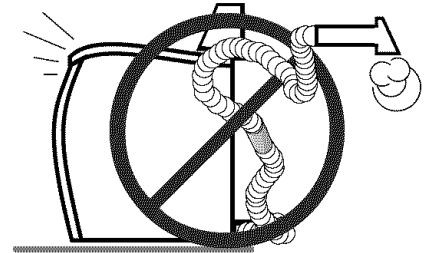


QUÉ NO HACER

No permita que un sistema de escape inadecuado aumente el tiempo de secado.

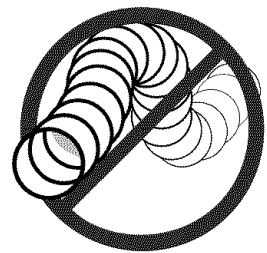
QUÉ NO HACER

No limite el rendimiento de su secadora con un sistema de escape inadecuado.



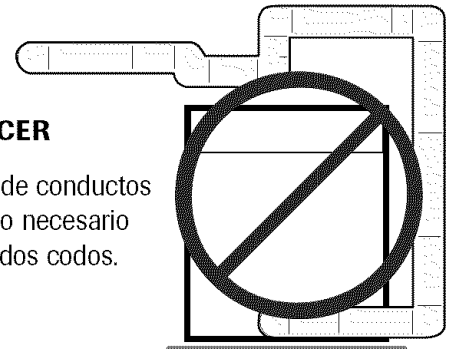
QUÉ NO HACER

No use conductos flexibles de plástico, aluminio o no metálicos.



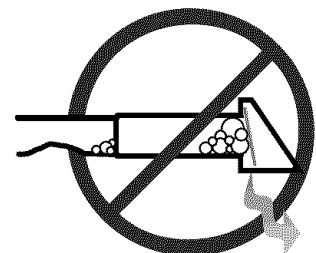
QUÉ NO HACER

No use tramos de conductos más largos de lo necesario ni con demasiados codos.



QUÉ NO HACER

No permita que los conductos y la abertura de ventilación estén aplastados ni obstruidos.





Localización y solución de averías

No funciona	<ul style="list-style-type: none">• Asegúrese de que la secadora tenga la puerta cerrada.• ¿Está enchufado el cable eléctrico?• ¿Hay un fusible fundido o un disyuntor disparado?• Si la puerta se abre durante el ciclo, presione el disco de control para reanudar el ciclo.
No calienta	<ul style="list-style-type: none">• ¿Hay un fusible fundido o un disyuntor disparado?• Seleccione un ajuste de calor, no el ajuste de aire solamente.• Verifique que el suministro de gas sea adecuado para secadoras alimentadas con gas.• Limpie el filtro para pelusa y el conducto de escape.• El temporizador de la secadora puede haber pasado a la porción de enfriamiento del ciclo.
No seca adecuadamente	<p>Revise todo lo anterior, y además...</p> <ul style="list-style-type: none">• Revise la campana de escape en el exterior de la casa, ¿abre y cierra libremente?• Verifique si se ha acumulado pelusa en el sistema de escape. Los conductos deben ser inspeccionados y limpiados todos los años.• Utilice un conducto de escape metálico rígido de 4" (10,2 cm).• No sobrecargue la secadora. 1 carga de lavado = 1 carga de secado.• Separe las prendas pesadas de las ligeras.• Durante el ciclo puede ser necesario redistribuir los artículos grandes y voluminosos tales como frazadas o cobertores redistribuir la ropa durante el ciclo para asegurar un secado uniforme.• Revise que la lavadora esté drenando adecuadamente para extraer el agua de la carga.• La carga de ropa es muy pequeña y no hay un movimiento adecuado. Añada unas cuantas toallas.
Produce mucho ruido	<ul style="list-style-type: none">• Revise que en la carga no haya objetos tales como monedas, clavos, etc. Si los hay sáquelos inmediatamente de la secadora.• Es normal oír que la válvula de gas de la secadora o el elemento calefactor se enciende y se apaga durante el ciclo de secado.• La secadora debe estar nivelada e instalada sobre un piso sólido.• Un ruido de chasquidos puede ser el temporizador avanzando.• Es normal que la secadora emita un ruido sordo causado por la alta velocidad del aire que se mueve a través del tambor de la secadora y del sistema de escape.
La perilla de control avanza con lentitud (modelos selectos)	<ul style="list-style-type: none">• Este funcionamiento es normal para un ciclo de secado automático o con sensor, especialmente al principio del ciclo. Una vez que la carga comienza a secarse, la perilla de control comenzará a avanzar. La velocidad de avance será baja al principio del ciclo porque hay más humedad en la carga. Al secarse más la carga, la perilla de control avanzará más rápidamente.
No seca en forma pareja	<ul style="list-style-type: none">• Las costuras, bolsillos y otras áreas gruesas similares pueden no estar completamente secas cuando el resto de la ropa haya alcanzado el grado de secado deseado. Esto es normal. Seleccione el ajuste More Dry (más seco) si lo desea.• Si se seca un artículo pesado con una carga de ropa liviana, tal como una toalla con sábanas, es posible que el artículo pesado no esté completamente seco cuando el resto de la ropa haya alcanzado el grado de secado deseado. Separe los artículos pesados de los más livianos para obtener los mejores resultados del secado.
Tiene olor	<ul style="list-style-type: none">• Los olores domésticos, tales como olores de pintura, barnices, limpiadores fuertes, etc., pueden penetrar a la secadora con el aire ambiente. Esto es normal pues la secadora extrae el aire de la habitación, lo calienta, lo hace circular en el tambor y lo expulsa al exterior. Cuando estos olores se encuentren presentes en el aire, ventile completamente la habitación antes de usar la secadora.

Si desea recibir más asistencia comuníquese con Maytag ServicesSM, Departamento de Asistencia al Cliente de : 1-800-688-9900 en EE.UU. ó 1-800-688-2002 en Canadá.



Notas



Notas



Garantía y servicio

Garantía

Garantía limitada de un año –

Piezas y mano de obra

Durante **un (1) año** a partir de la fecha original de compra al detal, se reparará o reemplazará gratuitamente cualquier pieza que falle durante el uso normal en el hogar.

Residentes Canadienses

Las garantías anteriores cubren solamente aquellos electrodomésticos instalados en Canadá que han sido certificados o aprobados por las agencias de prueba correspondientes para cumplimiento con la Norma Nacional de Canadá a menos que el electrodoméstico haya sido traído a Canadá desde los EE.UU. debido a un cambio de residencia.

*Las garantías específicas expresadas anteriormente son las **ÚNICAS** garantías provistas por el fabricante. Estas garantías le otorgan derechos legales específicos y usted puede tener además otros derechos que varían de un estado a otro.*

LA ÚNICA Y EXCLUSIVA SOLUCIÓN PARA EL CLIENTE BAJO ESTA GARANTÍA LIMITADA ES LA REPARACIÓN DEL PRODUCTO SEGÚN SE INDICA AQUÍ. LAS GARANTÍAS IMPLÍCITAS, INCLUYENDO LAS GARANTÍAS DE COMERCIALIZACIÓN O DE APTITUD PARA UN PROPÓSITO EN PARTICULAR ESTÁN LIMITADAS A UN AÑO O AL PERÍODO DE TIEMPO MÍNIMO PERMITIDO POR LA LEY. MAYTAG CORPORATION NO SERÁ RESPONSABLE DE DAÑOS INCIDENTALES O CONSECUENTES. ALGUNOS ESTADOS Y PROVINCIAS NO PERMITEN LA EXCLUSIÓN O LIMITACIÓN DE DAÑOS INCIDENTALES O CONSECUENTES O LA LIMITACIÓN DE LA DURACIÓN DE LAS GARANTÍAS IMPLÍCITAS DE COMERCIALIZACIÓN O APTITUD, POR LO QUE ESTAS EXCLUSIONES O LIMITACIONES PUEDEN NO APLICARSE EN SU CASO. ESTA GARANTÍA LE OTORGA DERECHOS LEGALES ESPECÍFICOS. USTED TAMBIÉN PUEDE TENER OTROS DERECHOS QUE VARÍAN DE UN ESTADO A OTRO O DE UNA PROVINCIA A OTRA.

Lo que no cubren estas garantías

1. Situaciones y daños resultantes de cualquiera de las siguientes situaciones:
 - a. Instalación, entrega o mantenimiento inapropiados.
 - b. Cualquier reparación, modificación, alteración o ajuste no autorizados por el fabricante o taller de servicio autorizado.
 - c. Mal uso, abuso, accidentes, uso no razonable o hechos fortuitos.
 - d. Corriente, voltaje, suministro eléctrico o suministro de gas incorrectos.
 - e. Ajuste inadecuado de cualquier
2. Las garantías quedan nulas si los números de serie originales han sido retirados, alterados o no se pueden determinar fácilmente.
3. Bombillas, filtros de agua y filtros de aire.
4. Los productos comprados para uso comercial o industrial.
5. El costo del servicio o llamada de servicio para:
 - a. Corregir errores de instalación. Para los productos que requieran ventilación, se deben usar conductos de metal rígido.
 - b. Instruir al usuario en el uso adecuado del producto.
 - c. Transporte del electrodoméstico al establecimiento de servicio y de regreso.
6. Cualquier pérdida de alimentos debido a fallas del refrigerador o congelador.
7. Costos de viaje y transporte de servicio en áreas remotas.
8. Esta garantía no se aplica fuera de los Estados Unidos y Canadá. Póngase en contacto con su distribuidor para determinar si se aplica cualquier otra garantía.
9. Los daños consecuentes o incidentales sufridos por cualquier persona como resultado del incumplimiento de esta garantía. En algunos estados no se permite la exclusión o limitación de daños consecuentes o incidentales, por lo tanto la limitación o exclusión anterior puede no aplicarse en su caso.

Si necesita servicio

Primero revise la sección de localización y solución de averías en su guía de uso y cuidado o llame al distribuidor donde adquirió el electrodoméstico. También puede llamar a Maytag Services, LLC, Atención al cliente, al 1-800-688-9900 en EE.UU. y al 1-800-688-2002 en Canadá para ubicar a un agente de servicio calificado.

- Asegúrese de conservar el comprobante de compra para verificar el estado de la garantía. Consulte la sección sobre la GARANTÍA para mayor información sobre las responsabilidades del propietario para obtener servicio bajo la garantía.
- Si el distribuidor o la compañía de servicio no pueden resolver el problema, escriba a Maytag Services, LLC, Attn: CAIR® Center, P.O. Box 2370, Cleveland, TN 37320-2370 o llame al **1-800-688-9900 en EE.UU. y al 1-800-688-2002 en Canadá.**
- Las guías del propietario, manuales de servicio e información sobre las piezas pueden solicitarse a Maytag Services, LLC, Atención al cliente.

Notas: Cuando llame o escriba acerca de un problema de servicio, por favor incluya la siguiente información:

- a. Su nombre, dirección y número de teléfono;
- b. Número de modelo y número de serie;
- c. Nombre y dirección de su distribuidor o técnico de servicio;
- d. Una descripción clara del problema que está experimentando;
- e. Comprobante de compra (recibo de compra).