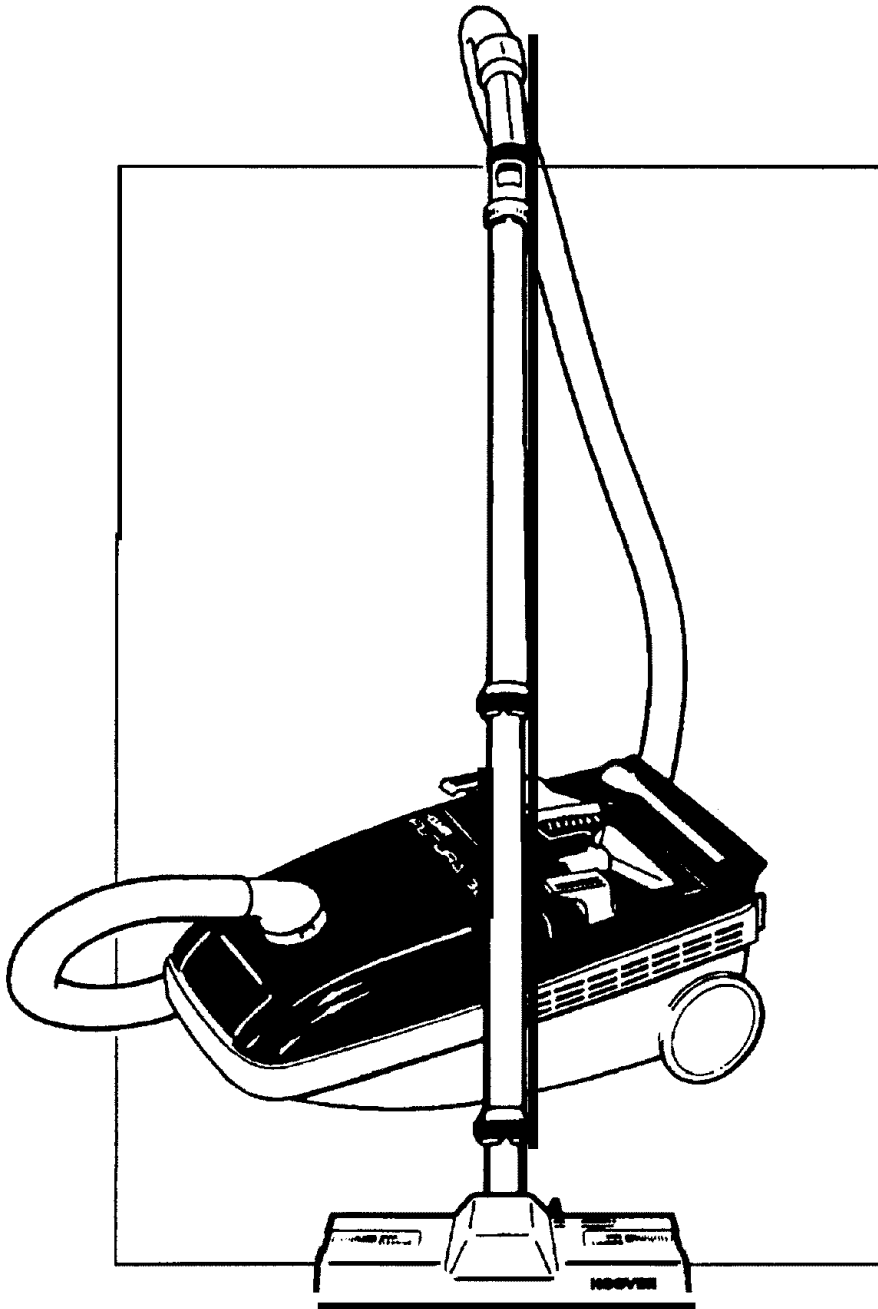


# **HOOVER.**

## **FUTURA<sup>®</sup>**

### **Cleaner**

**Owner's  
Manual**



**Review this manual before  
operating cleaner**

# Fill in and retain

---

The HOOVER vacuum cleaner you have just purchased is designed for carpet and floor cleaning and has cleaning **tools** for other tasks.

The model and serial number are **located** on the bottom of the **cleaner**.

For your personal records, please enter the COMPLETE model and serial number in the spaces provided and **retain** this information.

Your **cleaner is** model \_\_\_\_\_

and has **serial** number \_\_\_\_\_

It is suggested that you attach your sales receipt to this owner's manual. **Verification** of date of purchase may be required for warranty service of your Hoover product.

---

## Save!

### Index

Assembling Cleaner .....	5
Cleaner <b>Descriptions</b> .....	<b>3-4</b>
How To Use	
Canister cleaner .....	<b>6-7</b>
Cleaning <b>Tools</b> .....	<b>8-9</b>
Rug and Floor <b>Nozzle</b> .....	<b>6</b>
To clean stairs .....	9
if You Have a Problem .....	12
Important Safeguards .....	2
Lubrication .....	12
Maintenance	
<b>Rug</b> and floor Nozzle .....	<b>12</b>
Secondary Filter .....	11
<b>Paper Bag</b> .....	10-11
Service .....	13
Storage .....	9



# Important Safeguards

---

When using an electrical appliance, basic precautions should always be followed, including the following:

**READ ALL INSTRUCTIONS  
BEFORE USING THIS APPLIANCE**

**Warning:** To reduce the risk of fire, electric shock, or injury:

- Do not use outdoors or on wet **surfaces**.
- Close supervision is necessary when any appliance is used by or near children. Do not allow vacuum cleaner to be used as a toy or to run unattended at any time.
- Keep **hair, loose clothing, fingers, and all parts of body** away from openings and moving parts.
- Do not pull or carry by cord, use cord as a handle, close door on cord or pull cord around **sharp edges or corners**. Do not run appliance over cord. Keep cord away from heated surfaces.
- Do not pick up anything that is burning or smoking, such as cigarettes, matches, or hot ashes.
- Do not use to **pick up flammable or combustible liquids** such as gasoline or use in **areas** where they may be present.
- Avoid picking up hard, sharp objects with the cleaner. They may damage the cleaner and the bag.
- Unplug cleaner when not in use. Turn off all controls before unplugging.
- **Always** disconnect cord from electrical outlet before servicing the **cleaner**
- Do not use without dust bag and/or filters in place. **Change bag frequently** when picking up very **fine** materials such as **powder**.
- Use extra care when cleaning on stairs.
- Do not put any object into openings. Do not use **with** any opening blocked; keep free of dust, lint, hair, and anything that may reduce **air flow**.
- Grasp the plug to disconnect from wall outlet to avoid **damage to cord, plug, prongs, or receptacle**. Never handle plug or **appliance with wet hands**.
- The use of an extension cord is not recommended.
- Do not use with damaged cord or plug. If appliance is not working as it should, has been dropped, **damaged**, left outdoors, or dropped into water, take it to a Hoover **Factory Service Center** or Authorized Hoover Warranty Service Dealer (Depot).
- Use vacuum cleaner **only for its** intended use as described in the instructions. Use only **attachments** recommended by The Hoover Company; others may cause hazards.

---

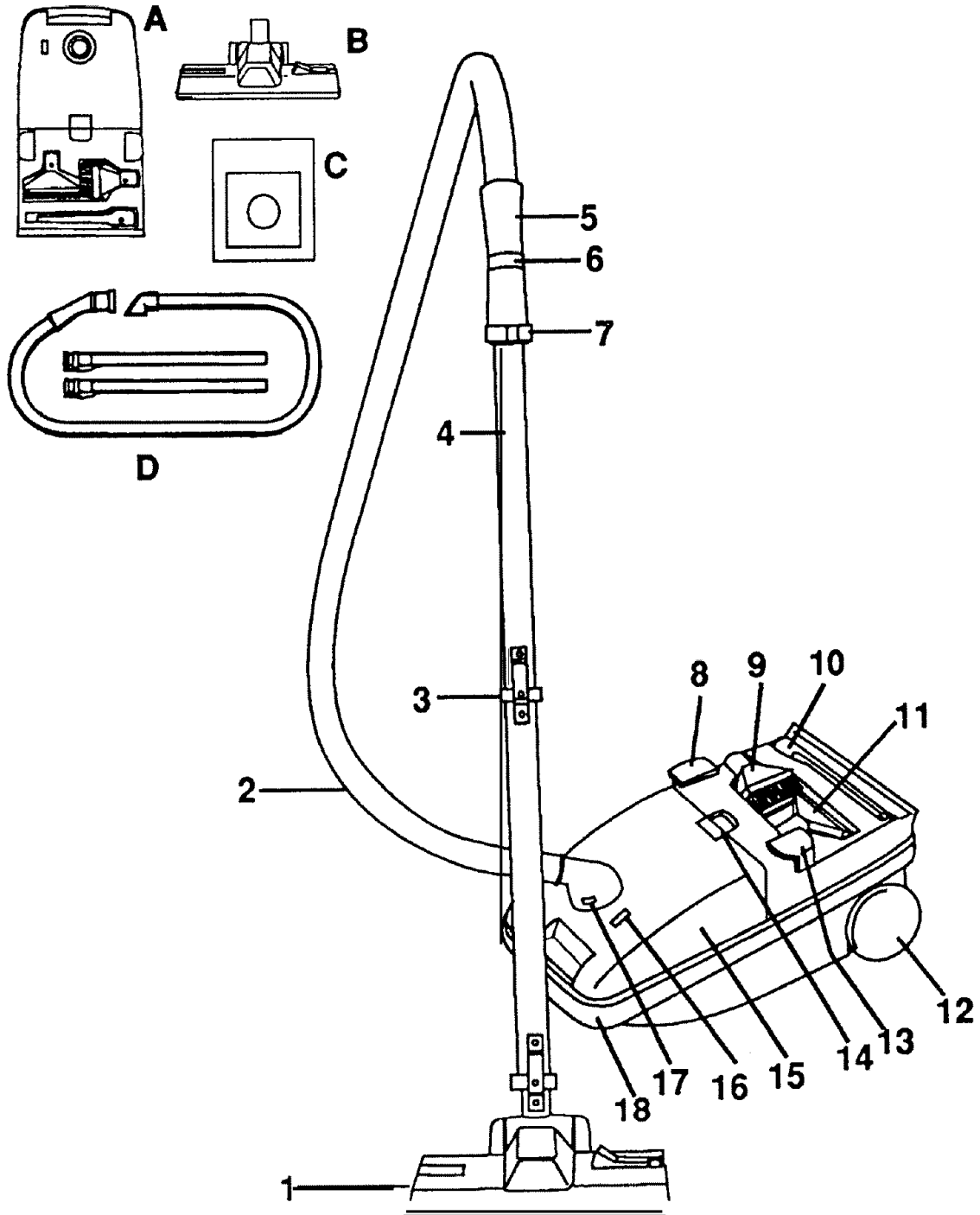
**Save these instructions!**

# Unpacking

Unpack cleaner from carton and **Identify the parts shown.** Remove and dispose of cardboard **packing.**

- A Canister cleaner
- B. Rug and floor **nozzle**
- C. Paper bag (Instaibd In canister)
- D. Extension wands **and hose**

The assembled cleaner will look like the drawing below.



1. **Deluxe wheeled rug and floor nozzle** ( Some models have a deluxe rug and floor nozzle without wheels).
2. **Lightweight hose**
3. Spring latch on metal wands: locks extension wands together or locks wand to nozzle or tool.  
Plastic latch ring on plastic wands: see item #7.
4. Extension wands: used with rug and floor nozzle. One or both wands may be used with cleaning tools. (Some models have plastic wands; some models have metal wands.)
5. Hand grip
6. Suction regulator ● : set for MINIMUM, MEDIUM or MAXIMUM suction by rotating plastic ring until raised plastic indicator on ring is directly under desired setting.
7. Plastic latch ring: located on hand grip and plastic wands; rotate to lock wands and cleaning tools to hose.
8. Cord hook: rotate hook inward for quick cord release.
9. Dusting brush
10. Crevice tool
11. Furniture nozzle
12. Large wheels: provide easy towing when cleaner is pulled over carpet, area rugs and door sills.
13. On-Off pedal: conveniently located on top of cleaner.
14. Bag lid latch: lift to open bag lid.
15. Bag lid
16. Check bag indicator ● : shows red when paper bag should be checked for fullness.
17. Hose connector
18. Carrying handle

This cleaner is intended for household use.

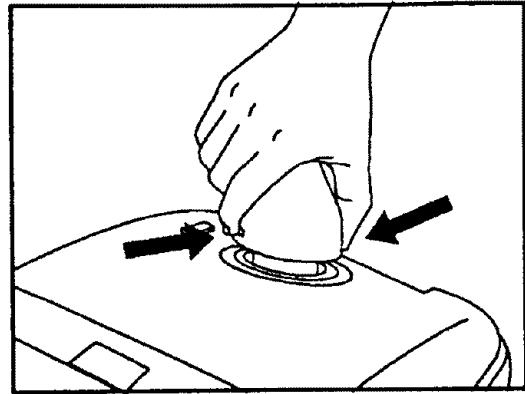
Operate cleaner only at voltage specified on data plate on bottom of cleaner.

\*Available on some models.

# How to assemble

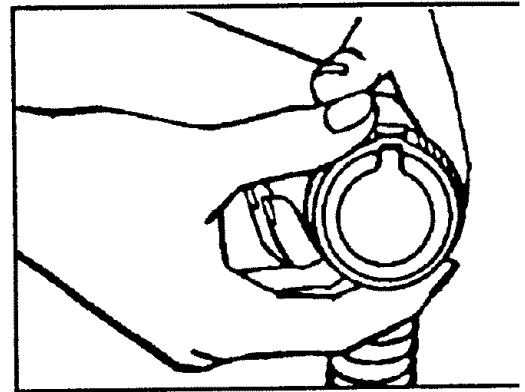
## 1. Connect hose

With hose toward front of cleaner, push hose connector into opening in bag lid. To disconnect hose, depress buttons on hose connector and pull up.

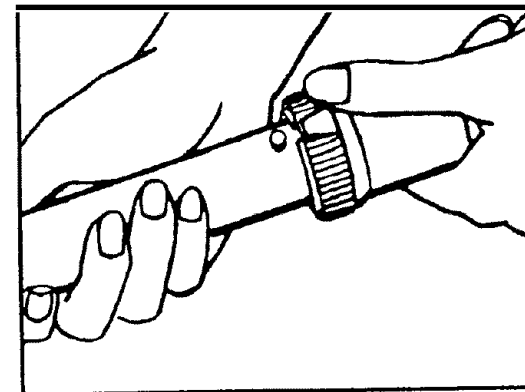


## 2. Attach wands, tools and nozzle

To attach hose to an extension wand or tool, turn plastic latch ring on hand grip until outer slot lines up with inner slot.

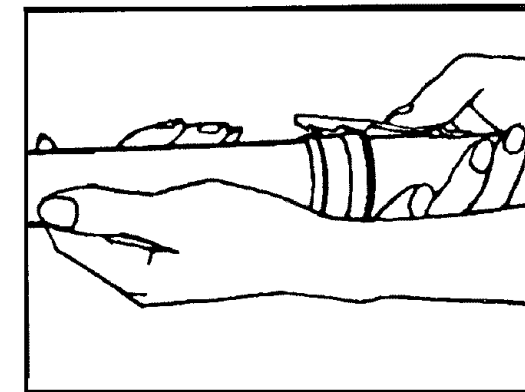


Push hand grip down onto wand or tool so that button projection fits into slot. Turn latch ring to lock in place.



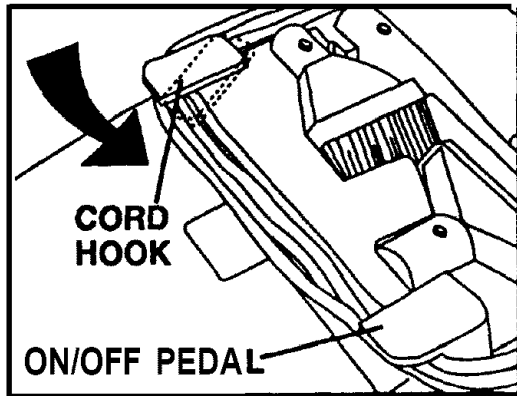
For cleaners with plastic wands, the second wand and tools are attached in the same manner. Reverse procedure to remove wand or tool.

For cleaners with metal wands, attach wand or tool by pushing the button projection on one into the spring latch of the other. To remove, press down on center of latch and pull out.



# How to use

To reduce the risk of electric shock, this appliance has a polarized plug (one blade is wider than the other). This plug will fit in a polarized outlet only one way. If the plug does not fit fully in the outlet, reverse the plug. If it still does not fit, contact a qualified electrician to install the proper outlet. Do not change the plug in any way.



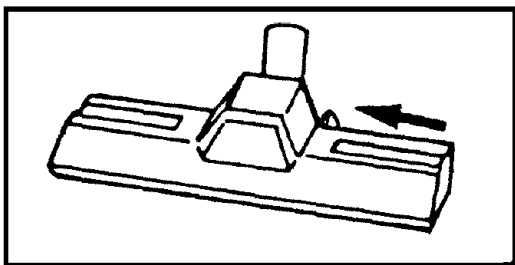
## On-Off pedal

Depress on-off pedal to turn cleaner on or off. After use, store cord by wrapping it around on-off pedal, cord hook and lip on rear of cleaner. **Before using on-off pedal, release cord by rotating cord hook inward.**

## Rug and floor nozzle

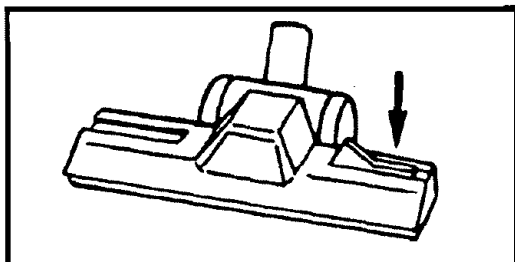
The combination rug and floor nozzle has been designed to do an efficient cleaning job on both carpet and hard surface floors.

Some models come with the deluxe nozzle and others come with deluxe wheeled nozzle. Both nozzles have constant edge cleaning for cleaning along baseboards or solid furniture. Both nozzles have a BARE FLOOR setting and a RUG setting. To change from one setting to the other, refer to the nozzle you have purchased.



## Deluxe nozzle

Lock brushes to clean bare floors by sliding indicator toward BARE FLOOR. Release brushes to clean carpet by sliding indicator toward RUG.



## Deluxe wheeled nozzle

Lock brushes to clean bare floors by depressing indicator toward BARE FLOOR. Release brushes to clean carpet by depressing indicator toward RUG.

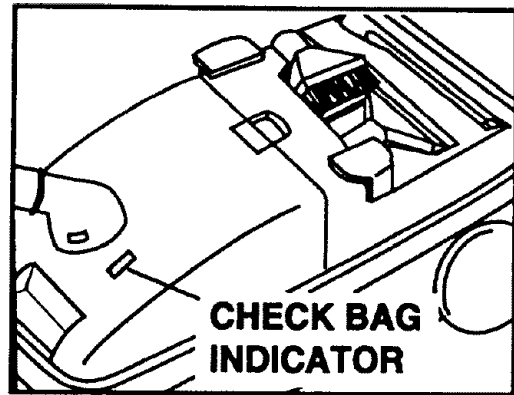
## Check bag indicator

(Available on some models)

The indicator will begin to show red as bag fills with dirt.

There are three conditions that will cause the indicator to become completely red:

1. The bag is full; change the bag.
2. Very fine materials (such as powder) have been picked up, clogging the bag pores; change the bag, even if it is not full.
3. There is an obstruction in the nozzle, hose, tools or at the bag opening; remove the obstruction.

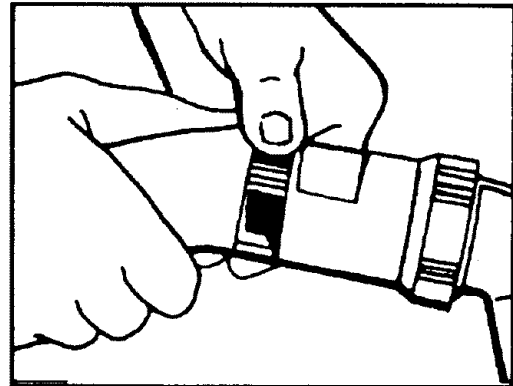


## Suction regulator

(Available on some models)

The suction regulator is located on the hand grip and may be used to increase or decrease suction for various cleaning tasks.

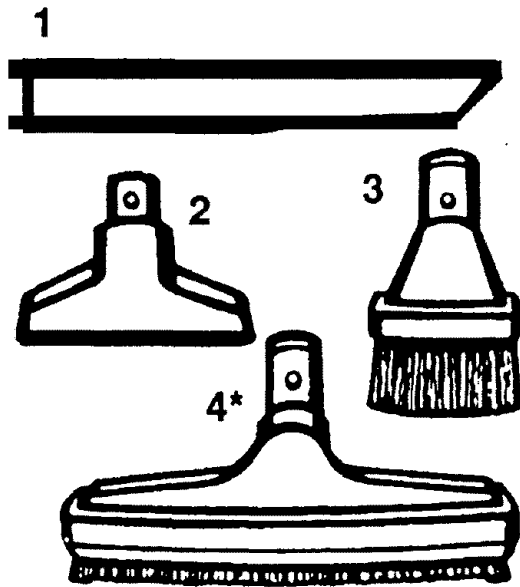
Set suction regulator to MINIMUM, MEDIUM or MAXIMUM suction by rotating plastic ring until raised plastic indicator on dial is directly under desired setting.





## Cleaning tools

A variety of useful cleaning tools is included with your cleaner. These tools and their uses are shown below. The wall/floor brush is available at a nominal cost from your Authorized Hoover Dealer (Depot), a Hoover Factory Service Center or by writing to The Hoover Company, North Canton, Ohio 44720.



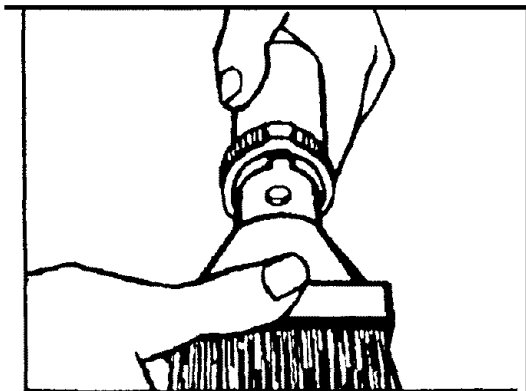
1. Crevice tool may be used in tight spaces, corners and along edges in such places as dresser drawers, upholstered furniture, stairs and baseboards.

2. Furniture nozzle may be used for upholstered furniture, draperies, tapestries, mattresses, clothing, automobile interiors and carpeted stairs.

3. Dusting brush may be used for carved furniture, table tops, books, lamps, lighting fixtures, Venetian blinds, baseboards, shutters and registers.

\*4. Wall/floor brush may be used for walls and very irregular hard surface floors such as brick and slate.

\*Available at additional cost.

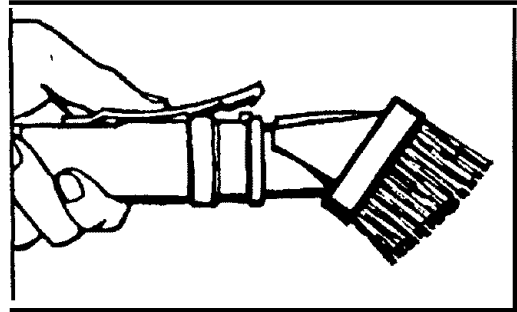


## Attaching tools

Attach tools to hand grip and plastic wands by rotating latch ring until slots align; insert tool and rotate ring to lock.

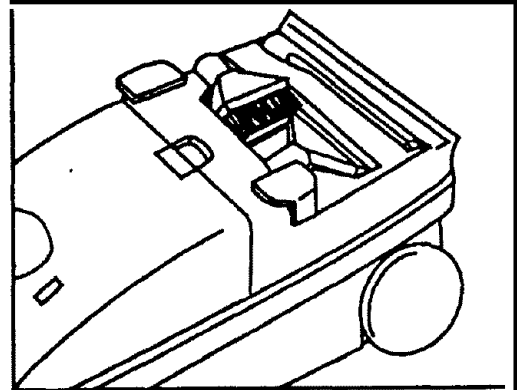
To remove tool, reverse above procedure.

For models with metal wands, attach tools to wand by pushing button projection on tool into spring latch on wand. Depress center of latch to remove.



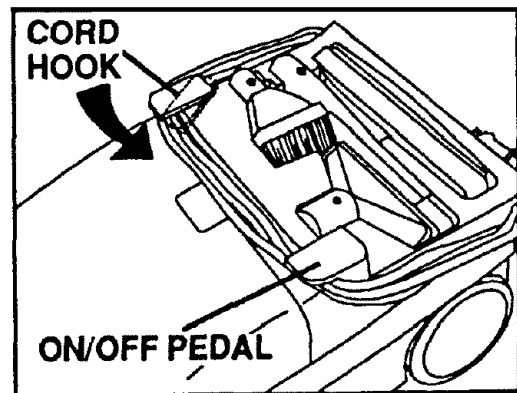
## Storing cleaner

The cleaning tools are conveniently stored on top of the cleaner, as shown.



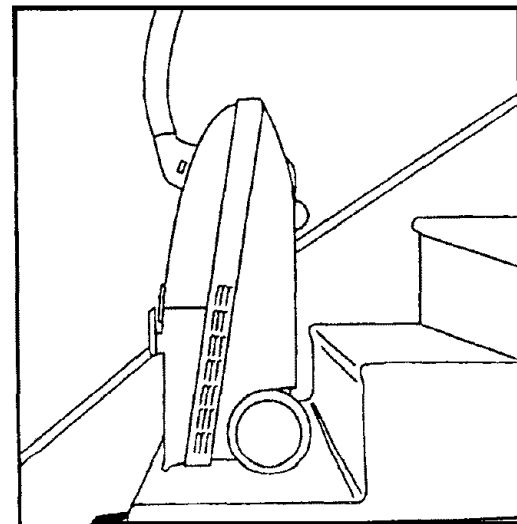
After use, wrap the cord around the on-off pedal, cord hook and lip on rear of cleaner.

To save space, the cleaner may be stored on end.



## To clean stairs

Clean stairs by placing cleaner on end as shown. Clean stairs from bottom to top.



# Maintenance

The following sections are concerned with proper maintenance of the cleaner. Familiarize yourself with these home maintenance tasks and keep this owner's manual in a convenient place where you can refer to it when needed. Proper use and care of your cleaner will ensure continued cleaning effectiveness.

## The bag

### When to replace

Check bag from time to time. For models with 'CHECK BAG' indicator, check bag when indicator shows red. When bag is filled with dirt, the cleaner will not operate efficiently. Discard used bag.

**CAUTION:** Very fine materials, such as face powder, cornstarch, fireplace ashes or fireplace soot, may seal the paper bag and may cause it to burst even though it is only partially full of dirt. When the cleaner is used to remove material of this nature, change the bag often.

### What bags to buy

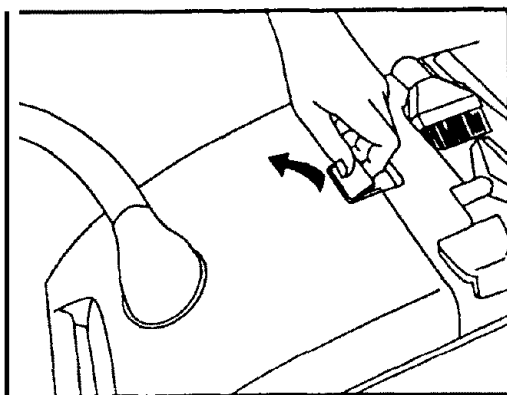
Use HOOVER bag type S with this cleaner.

To assure that your HOOVER cleaner operates at peak performance, it is imperative that you use only genuine HOOVER paper bags made by The Hoover Company. HOOVER bags can be identified by these trademarks — —

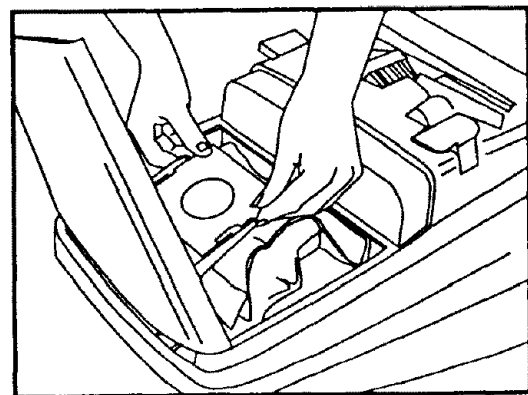


### Replacing paper bag

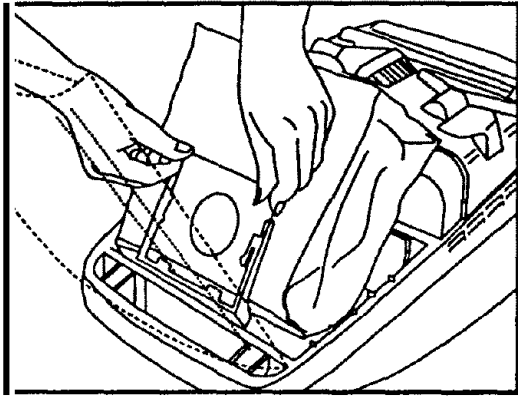
**Disconnect cleaner from electrical outlet.**



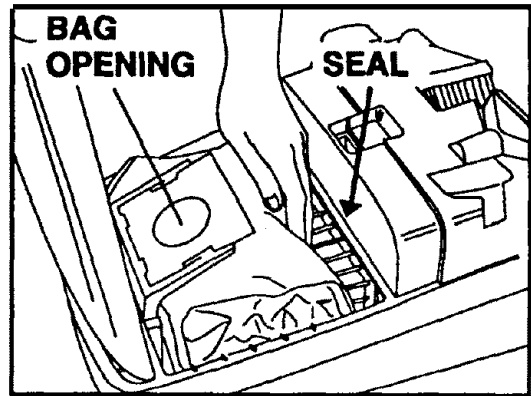
1. Rotate hose to the side, lift bag lid latch and open bag lid.



2. Carefully pull out used bag.



3. Form new bag into a box-like shape. Slide bag collar firmly into holder.



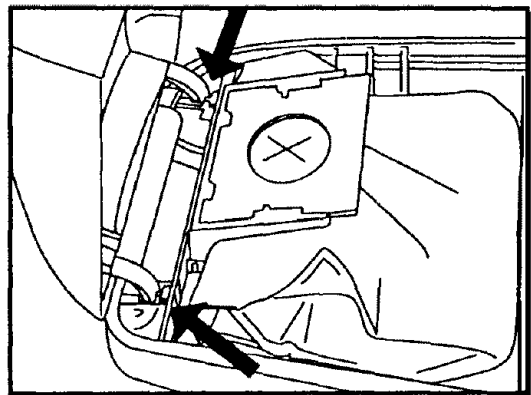
4. Push rear edge of bag into bag cavity below seal.

Clear bag opening by pushing the pierced paper through opening toward bag interior. Do not tear off paper.

Close bag lid.

## Re-attaching bag lid

The bag lid and hinges are designed with a 'break-away' feature. If the lid is pushed open too far, it will come off. It can be easily re-attached by aligning the hinges with the appropriate slots in the cleaner as shown.

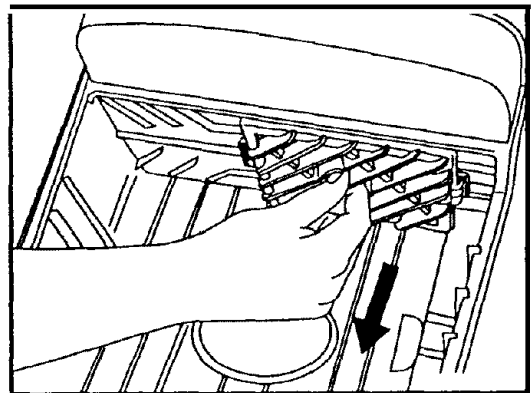


## Secondary filter

### To clean filter

**Disconnect cleaner from electrical outlet.**

The secondary filter, located behind the grill in the bag compartment, protects the motor from dirt particles. If filter becomes dirty, pull off grill and lift out filter. Wash filter in warm water or replace it with a new one. A dry filter must be put back into cleaner.



**Do not operate cleaner without secondary filter in place.**

## Rug and floor nozzle

To maintain cleaning effectiveness of your rug and floor nozzle, the brushes may need to be replaced occasionally.

See your nearest Hoover Factory Service Center or Authorized Warranty Service Dealer (Depot) for new brushes.

## Lubrication

The motor is equipped with two bearings that contain sufficient lubrication for the life of the motor. The addition of lubricant could cause damage. Therefore, do not add lubricant to the motor or agitator bearings.

## If you have a problem

This appliance was inspected thoroughly and was in good operating condition when it was shipped from the factory. If a minor problem occurs, it usually can be solved quite easily when the cause is found. Therefore, this check list is provided for your convenience.

Problem	Possible cause	Possible solution
Cleaner won't run	<ol style="list-style-type: none"><li>1. Not firmly plugged in.</li><li>2. No voltage in wall plug.</li><li>3. Blown fuse/tripped breaker.</li></ol>	<ol style="list-style-type: none"><li>1. Plug unit in firmly.</li><li>2. Check fuse or breaker.</li><li>3. Replace fuse/reset breaker.</li></ol>
Cleaner won't pick up	<ol style="list-style-type: none"><li>1. Bag full.</li><li>2. Bag not opening.</li><li>3. Obstruction in nozzle, hose or attachments.</li><li>4. Suction regulator improperly set.</li><li>5. Secondary filter dirty.</li></ol>	<ol style="list-style-type: none"><li>1. Change paper bag.</li><li>2. Open by pulling folds.</li><li>3. Remove obstruction.</li><li>4. Set suction regulator properly.</li><li>5. Clean or replace filter.</li></ol>
Nozzle won't pick up	<ol style="list-style-type: none"><li>1. Nozzle brush worn.</li></ol>	<ol style="list-style-type: none"><li>1. Replace nozzle brush.</li></ol>

# Service

**If the problem** persists, check the Yellow Pages of your telephone book under "Vacuum Cleaners-Household" for your nearest **Hoover Factory Service Center or Authorized Warranty Service Dealer** (Depot) where approved HOOVER service and genuine HOOVER replacement parts may be obtained. Provided with this product is a listing of the Hoover Factory Service Centers. If you are unable to obtain the information you need from the Yellow Pages, contact a Hoover Factory Service Center to find your nearest Authorized Warranty Service Dealer (Depot). For service under warranty, follow the instructions in the warranty provided with this product.

Do **not** send your cleaner to The Hoover Company in North Canton for service as this will only result in a delay.

Always identify your cleaner by the **complete** model number when requesting information or ordering parts. (The model number appears on the bottom of the cleaner.)

If further assistance is needed, contact **The Hoover Company Consumer Response Center, North Canton, Ohio 44720, (216) 4994200.**

In Canada, contact **Hoover Canada, Burlington Ontario, L7R 4A8, 1-600-263-6376.**

HOOVER and  are registered trademarks  
THE HOOVER COMPANY, NORTH CANTON, OHIO 44720