

**IMPORTANT MANUAL**

**Do Not Throw Away**

**SEARS**

**Operator's  
Manual**



**Model No.  
358.799080**

**CUSTOMER  
ASSISTANCE  
1-800-235-5878**

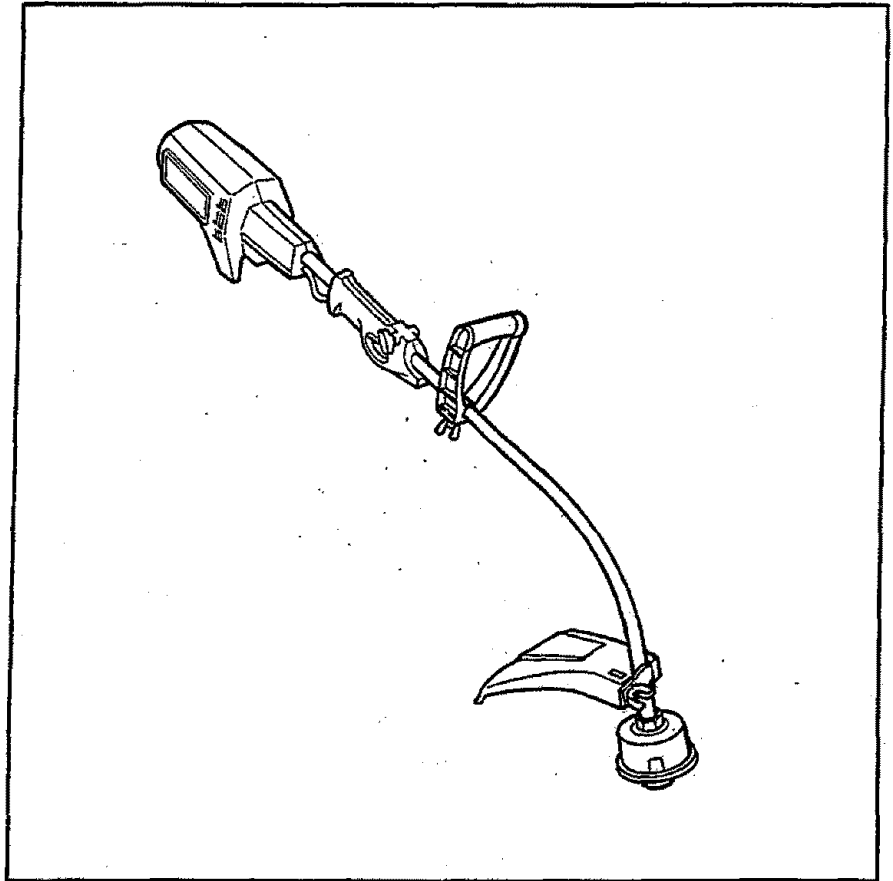
**HOURS (CST)**

**Mon. - Sat. 7 a.m. - 7 p.m.  
Sun. 10 a.m. - 7 p.m.**



**WARNING**

**READ THE OPERATOR'S  
MANUAL AND FOLLOW ALL  
WARNINGS AND SAFETY  
INSTRUCTIONS. FAILURE  
TO DO SO CAN RESULT IN  
SERIOUS INJURY.**



*Always Wear Eye Protection*

**CRAFTSMAN<sup>®</sup>  
6 AMP MOTOR  
16 Inch Semi-Automatic Head  
ELECTRIC WEEDWACKER<sup>®</sup>**

- Assembly
- Operation
- Customer Responsibilities
- Service and Adjustment

Sears, Roebuck and Co., Hoffman Estates, IL 60179 USA

# SAFETY RULES



**WARNING – WHEN USING ELECTRIC GARDENING APPLIANCES, BASIC SAFETY PRECAUTIONS SHOULD ALWAYS BE FOLLOWED TO REDUCE THE RISK OF FIRE, ELECTRIC SHOCK, AND PERSONAL INJURY. READ ALL INSTRUCTIONS.**

## OPERATOR SAFETY

- Dress properly. Always wear safety glasses or similar eye protection when operating, servicing, or performing maintenance on your unit. (Safety glasses are available.) Always wear face mask or dust mask if operation is dusty. Always wear heavy, long pants, long sleeves, boots, and gloves. Do not go barefoot or wear sandals, short pants, or short sleeves.
- Secure hair above shoulder length. Secure or remove loose clothing and jewelry or clothing with loosely hanging ties, straps, tassels, etc. They can be caught in moving parts.
- Being fully covered helps to protect you from pieces of toxic plants thrown by spinning line.
- **STAY ALERT**—Do not operate this unit when you are tired, ill, or under the influence of alcohol, drugs, or medication. Watch what you are doing; use common sense.
- **AVOID UNINTENTIONAL STARTING OF THE UNIT**—Never carry the unit with your finger on the switch. Be sure the switch is in the off position before connecting the extension cord.
- Restrict the use of this unit to persons who read, understand, and follow the warnings and instructions in this manual and on the unit.

## ELECTRICAL SAFETY

- Use only a 120 A.C. voltage supply as shown on the nameplate of the unit.
- Avoid dangerous situations. Do not use in the presence of flammable liquids or gases to avoid creating a fire or explosion and/or causing damage to unit.
- **WARNING—TO REDUCE THE RISK OF ELECTRICAL SHOCK**—Do not use in damp or wet locations or around swimming pools, hot tubs, etc. Do not expose to snow, rain, or water to avoid the possibility of electrical shock.
- **WARNING**—To reduce the risk of electrical shock, use extension cords specifically marked as suitable for outdoor appliances having electrical rating not less than the rating of the unit. The cord must be marked with the suffix “W-A” (in Canada “W”). Use a polarized cord. Make sure your extension cord is in good condition. Replace damaged cords. An undersized extension cord will cause a drop in line voltage resulting in loss of power and overheating. If in doubt, use the next heavier gauge. The smaller the gauge number, the heavier the cord. (NOTE: Figure 1 shows the correct size to be used depending on the cord length).
- **DO NOT ATTEMPT TO REPAIR UNIT**—Inspect the insulation and connectors on the unit and extension cord before each use. If there is any damage, do not use until damage is repaired by your Sears Service Center/Dept.
- **DO NOT ABUSE CORD**. Never carry the unit by the extension cord or yank the extension cord to disconnect the unit.
- To reduce the possibility of the extension cord disconnecting from the unit during operation, slip the extension cord behind the tab on the cord retainer as shown in Figure 2. Plug extension cord into the recessed plug on the handle of the unit. Figure 2.
- Do not use the unit if the switch does not turn the unit on and off properly. Repairs to the switch must be made by your Sears Service Center/Dept.
- Keep the extension cord clear of operator and obstacles at all times. Do not expose cords to heat, oil, water, or sharp edges.
- Avoid any body contact with any grounded conductor, such as metal pipes or wire fences, to avoid the possibility of electric shock.
- Ground Fault Circuit Interrupter (GFCI) protection should be provided on the circuit or outlet to be used for this unit. Receptacles are available having built-in GFCI protection and may be used for this measure of safety.
- To reduce the risk of electrical shock this equipment has a polarized plug. This plug will fit in a polarized outlet or extension

cord only one way. (one blade is wider than the other). If the plug does not fit fully in the outlet, reverse the plug. If it still does not fit, contact a qualified electrician to install the proper outlet. Do not change the plug in any way.

## UNIT SAFETY

- Inspect entire unit before each use. Replace damaged parts. Make sure all handles, guards, and fasteners are in place and securely fastened. A guard or other part that is damaged should be properly repaired or replaced by your Sears Service Center.
- Replace trimmer head parts that are cracked, chipped, or damaged before using the unit.
- Use only .065" diameter genuine trimmer line. (See “Accessories”) Never use wire, rope, string etc.
- Use only the specified trimmer head. Make sure the semi-automatic head is properly installed and securely fastened. Disconnect unit from the power supply before changing semi-automatic head.
- Use only recommended accessories as recommended. Use of any other accessory may increase the risk of injury.
- Keep guards in place and in working order.

## CUTTING SAFETY

- Inspect the area to be cut before each use. Remove objects (rocks, broken glass, nails, wire, string, etc.) which can be thrown or become entangled in the semi-automatic head.
- **KEEP CHILDREN AWAY**—Keep others including children, animals, bystanders and helpers a minimum of 50 feet (15 meters) away. Stop the unit immediately if you are approached. Never allow children to operate the unit.
- Stop the unit and disconnect the power source when not in use.
- **DO NOT OVERREACH OR STAND ON UNSTABLE SUPPORT**—Keep firm footing and balance. Do not overreach.
- Keep the semi-automatic head below waist level.
- Do not raise handles above your waist. The semi-automatic head can come dangerously close to your body.
- Keep all parts of your body away from semi-automatic head when unit is running.
- **USE UNIT PROPERLY**—Use only for jobs explained in this manual. Do not force the unit, it will do the job better and with less likelihood of a risk of injury at the rate for which it was designed.
- Use only in daylight or in good artificial light.

## MAINTENANCE SAFETY

- Maintain unit according to recommended procedures. Keep the cutting line at the proper length.
- Have all internal service and maintenance not explained in this manual performed by your Sears Service Center/Dept. to avoid creating a hazard and/or voiding your warranty. When servicing use only identical replacement parts.
- **DISCONNECT UNIT FROM THE POWER SUPPLY** before performing maintenance.
- Never douse or squirt the unit with water or any other liquid. Clean unit and labels with a damp sponge. See “Storage.” Keep handles dry, clean, and free from oil and grease.
- Keep the air vents clean and free from debris to avoid overheating the motor. Clean after each use. See “Specifications” for locations.

## TRANSPORTING AND STORAGE

- Hand carry the unit with the motor stopped.
- Allow the unit to cool and secure the unit before storing or transporting in a vehicle.
- Store the unit so the line limiter cannot accidentally cause injury.
- **STORE UNIT INDOORS**—Store unit unplugged in a high, dry place out of the reach of children.



**LOOK FOR THIS SYMBOL TO POINT OUT IMPORTANT SAFETY PRECAUTIONS. IT MEANS – ATTENTION!!! BECOME ALERT!!! YOUR SAFETY IS INVOLVED.**

# SAFETY RULES



## DANGER

**THIS POWER UNIT CAN BE DANGEROUS! THIS UNIT CAN CAUSE SERIOUS INJURY OR BLINDNESS TO THE OPERATOR AND OTHERS. WHEN USING AN ELECTRIC TRIMMER, THESE BASIC SAFETY PRECAUTIONS MUST BE FOLLOWED TO REDUCE THE RISK OF INJURY, FIRE, AND ELECTRIC SHOCK. FAILURE TO FOLLOW ALL INSTRUCTIONS CAN RESULT IN BLINDNESS OR OTHER SERIOUS INJURY. THE OPERATOR IS RESPONSIBLE FOR FOLLOWING THE WARNINGS AND INSTRUCTIONS IN THIS MANUAL AND ON THE UNIT. READ THE ENTIRE OPERATOR'S MANUAL BEFORE ASSEMBLING AND USING THIS UNIT! RESTRICT THE USE OF THIS UNIT TO PERSONS WHO READ, UNDERSTAND, AND FOLLOW THE WARNINGS AND INSTRUCTIONS IN THIS MANUAL AND ON THE UNIT. (SEE ADDITIONAL SAFETY INSTRUCTIONS THROUGHOUT THIS MANUAL)**

### NEVER USE BLADES OR FLAILING DEVICES WITH THIS UNIT.

- THE BLADE CAN COME OFF AND SERIOUSLY HURT YOU AND OTHERS.
- STAY CLEAR OF SPINNING LINE.
- THIS UNIT IS DESIGNED FOR LINE TRIMMER USE ONLY



## WARNING

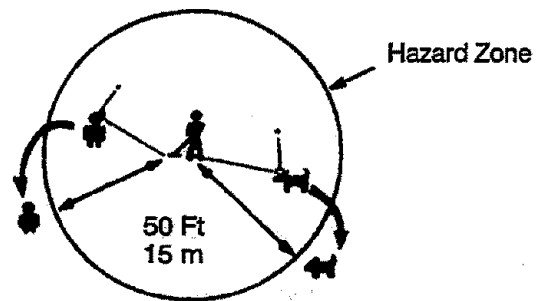
### TRIMMER LINE CAN THROW OBJECTS VIOLENTLY.

- YOU CAN BE BLINDED OR INJURED.
- WEAR EYE AND LEG PROTECTION.



### HAZARD ZONE FOR THROWN OBJECTS

- TRIMMER LINE CAN THROW OBJECTS VIOLENTLY.
- OTHERS CAN BE BLINDED OR INJURED.
- KEEP PEOPLE AND ANIMALS 50 FEET (15 METERS) AWAY.

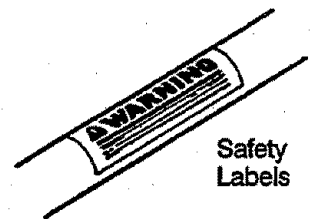


### READ OPERATOR'S MANUAL.

- FOLLOW ALL WARNINGS AND INSTRUCTIONS.
- FAILURE TO DO SO CAN RESULT IN SERIOUS INJURY.
- BE THOROUGHLY FAMILIAR WITH THE CONTROLS AND THE PROPER USE OF THIS UNIT.



Operator's Manual



Safety Labels

**SAVE THESE INSTRUCTIONS**

CONGRATULATIONS on your purchase of a Sears Craftsman Electric Weedwacker. It has been designed, engineered and manufactured to give you the best possible dependability and performance.

Should you experience any problems you cannot easily remedy, please contact your nearest Sears Service Center/Department. Sears has competent, well trained technicians and the proper tools to service or repair this unit.

Please read and retain this manual. The instructions will enable you to assemble and maintain your unit properly. Always observe the "SAFETY RULES."

## PRODUCT SPECIFICATIONS

VOLTAGE: ..... 120 Volts A.C.  
AMPS ..... 6.0  
CUTTING PATH ..... 16"  
TRIMMER LINE: . . . . . .065" Dia. line  
LINE FEED ..... Semi--Automatic Head  
WEIGHT ..... 9.0 Lbs.

MODEL NUMBER: **358.799080**

SERIAL NUMBER/DATE CODE: \_\_\_\_\_

DATE OF PURCHASE: \_\_\_\_\_

THE MODEL NUMBER WILL BE FOUND ON A DECAL ATTACHED TO THE PRODUCT.

THE SERIAL NUMBER/DATE CODE WILL BE FOUND ON THE UPPER PART OF THE MOTOR HOUSING.

YOU SHOULD RECORD BOTH SERIAL NUMBER /DATE CODE AND DATE OF PURCHASE AND KEEP IN A SAFE PLACE FOR FUTURE REFERENCE.

MANUFACTURED UNDER ONE OR MORE OF THE FOLLOWING U.S. PATENTS: 4,490,910; 4,860,451; 4,926,557; DES 301,009. Other U.S. and foreign patents pending.

## CUSTOMER RESPONSIBILITIES

- Read and observe the safety rules.
- Follow a regular schedule in maintaining, caring for, and using your unit.
- Follow the instructions under "Customer Responsibilities" and "Storage" sections of this Operator's Manual.

### FULL ONE YEAR WARRANTY ON CRAFTSMAN ELECTRIC WEEDWACKER® LINE TRIMMER

If this Craftsman Electric Weedwacker® Line Trimmer fails to perform properly due to a defect in material or workmanship within (1) one year from the date of purchase, Sears will repair or replace it, free of charge.

This warranty does not cover the nylon line.

WARRANTY SERVICE IS AVAILABLE BY RETURNING THE CRAFTSMAN ELECTRIC WEEDWACKER® LINE TRIMMER TO THE NEAREST SEARS STORE IN THE UNITED STATES.

This warranty gives you specific legal rights, and you may also have other rights which vary from state to state.

SEARS, ROEBUCK AND CO., D/817WA, HOFFMAN ESTATES, IL 60179

# TABLE OF CONTENTS


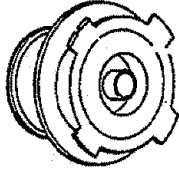
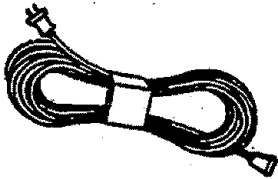
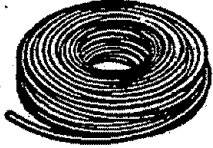
Safety Rules ..... 2	Customer Responsibilities ..... 12
Product Specifications ..... 4	Service and Adjustments ..... 13
Warranty ..... 4	Storage ..... 13
Accessories ..... 5	Trouble Shooting ..... 14
Assembly ..... 6	Repair Parts Ordering/Service ..... Back Cover
Operation ..... 8	

## INDEX

<p style="text-align: center;"><b>A</b></p> <p>Accessories ..... 5</p> <p>Assembly ..... 6</p> <p style="text-align: center;"><b>C</b></p> <p>Customer Assistance Hotline ..... Back Cover</p> <p>Customer Responsibilities ..... 12</p> <p style="text-align: center;"><b>H</b></p> <p>Hardware Contents ..... 6</p> <p style="text-align: center;"><b>K</b></p> <p>Know Your Weedwacker ..... 8</p> <p style="text-align: center;"><b>L</b></p> <p>Line Advancement ..... 10</p> <p>Line Limiter ..... 10</p> <p>Line Replacement ..... 13</p>	<p style="text-align: center;"><b>M</b></p> <p>Maintenance Schedule ..... 12</p> <p>Model Number ..... 4</p> <p style="text-align: center;"><b>O</b></p> <p>Operation ..... 8, 9, 10, 11</p> <p>Ordering Repair Parts ..... Back Cover</p> <p style="text-align: center;"><b>S</b></p> <p>Safety Rules ..... 2,3</p> <p>Specifications ..... 4</p> <p>Storage ..... 13</p> <p style="text-align: center;"><b>T</b></p> <p>Trouble Shooting ..... 14</p> <p style="text-align: center;"><b>W</b></p> <p>Warranty ..... 4</p>
--	---

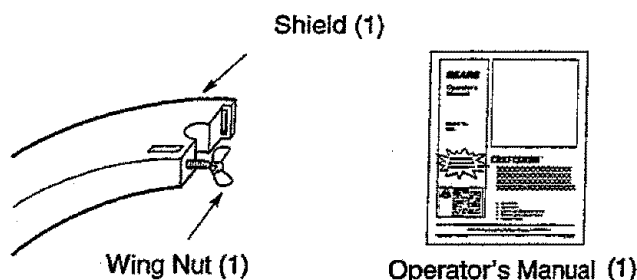
## ACCESSORIES

These accessories and attachments were available when the unit was purchased originally. They are also available at most Sears retail outlets and service centers. Most Sears stores can order these items for you when you provide the model number of your unit.

<b>ACCESSORIES</b>			
<p>Safety Goggles</p> 	<p>Spool with line (.065" diameter only)</p> 	<p>Extension Cord</p> 	<p>Bulk Line (.065" diameter only)</p> 

# HARDWARE CONTENTS

## LOOSE PARTS IN CARTON NOT SHOWN ACTUAL SIZE



## REMOVE WEEDWACKER FROM CARTON.

- Remove loose parts included with Weedwacker.
- Remove all packing material.
- Check carton thoroughly for additional loose parts.

## TOOLS REQUIRED

- None

# ASSEMBLY

## ATTACH THE SHIELD. (Fig. 1)



### WARNING

The shield must be properly installed. The shield provides partial protection from the risk of thrown objects to the operator and others and is equipped with a line limiter which cuts excess line to the proper length. The line limiter (on underside of shield) is sharp and can cut you.

- Attach the shield as illustrated below.

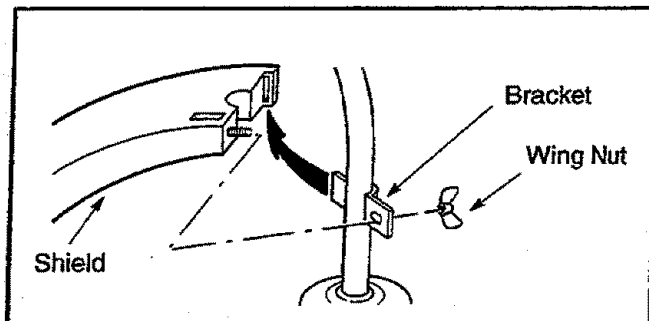


Figure 1

## EXTENSION CORD ATTACHMENT (Fig. 2 & 3)

- Use only a voltage supply as shown on the nameplate of the unit to power your unit.
- The extension cord used to reach the power source must be:
  - A polarized Extension Cord. (One blade is wider than the other.)
  - Specifically marked as suitable for outdoor use. The cord must be marked with the suffix "W-A." (in Canada "W").
  - Heavy enough to carry the current from the power source the full length of the extension cord to the unit. Otherwise, loss of power and overheating can occur causing damage to the unit. Refer to Figure 2 for minimum wire gauge recommendations. The cord must be marked with the proper wire gauge.

- In good condition. Cord insulation must be intact with no cracks or deterioration. Plug connectors must be undamaged.
- Proper extension cords are available for your Sears Store.
- Secure the cord by connecting the unit as illustrated in figure 3.
- Insert the cord socket into the recessed plug on the unit.

To reduce the risk of electric shock, this unit has a polarized plug (one blade is wider than the other). This plug will fit in a polarized extension cord only one way. If the plug does not fit fully into the extension cord, reverse the cord. If it still does not fit, make sure you have a polarized extension cord. If the extension cord does not fit into the outlet, reverse the cord. If it still does not fit into the outlet, contact a qualified electrician to install the proper outlet. Do not change the plug or socket of the unit or extension cord in any way.

### MINIMUM WIRE GAUGE RECOMMENDATIONS

VOLTS	25-50 FT.	50-100 FT.	100-150 FT.
120	16 A.W.G.*	16 A.W.G.*	14 A.W.G.*

\*American Wire Gauge

Figure 2

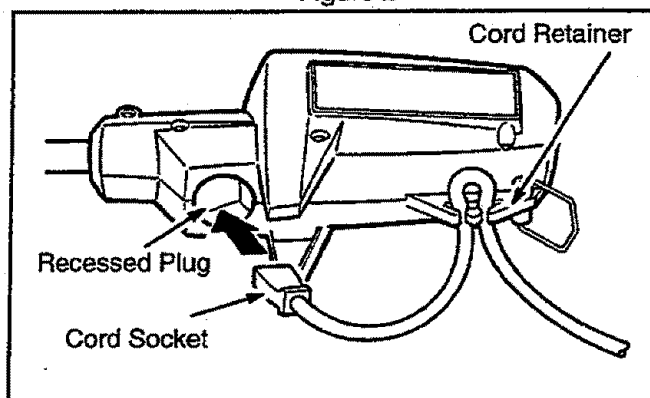


Figure 3

---

# ASSEMBLY

---

## CHECK LIST

- Check all fasteners. Make sure they are tight and there are no loose parts.
- Check the position of the assist handle and trigger handle for operating comfort.
- Make sure your extension cord is marked with a suffix of "W-A". (In Canada "W").
- Make sure the semi-automatic head is properly assembled and securely fastened.

# OPERATION

## KNOW YOUR WEEDWACKER (Fig. 4)

READ THIS OPERATOR'S MANUAL AND SAFETY RULES BEFORE OPERATING YOUR WEEDWACKER®. Compare the illustrations with your unit to familiarize yourself with the location of the various controls and adjustments. Save this manual for future reference.

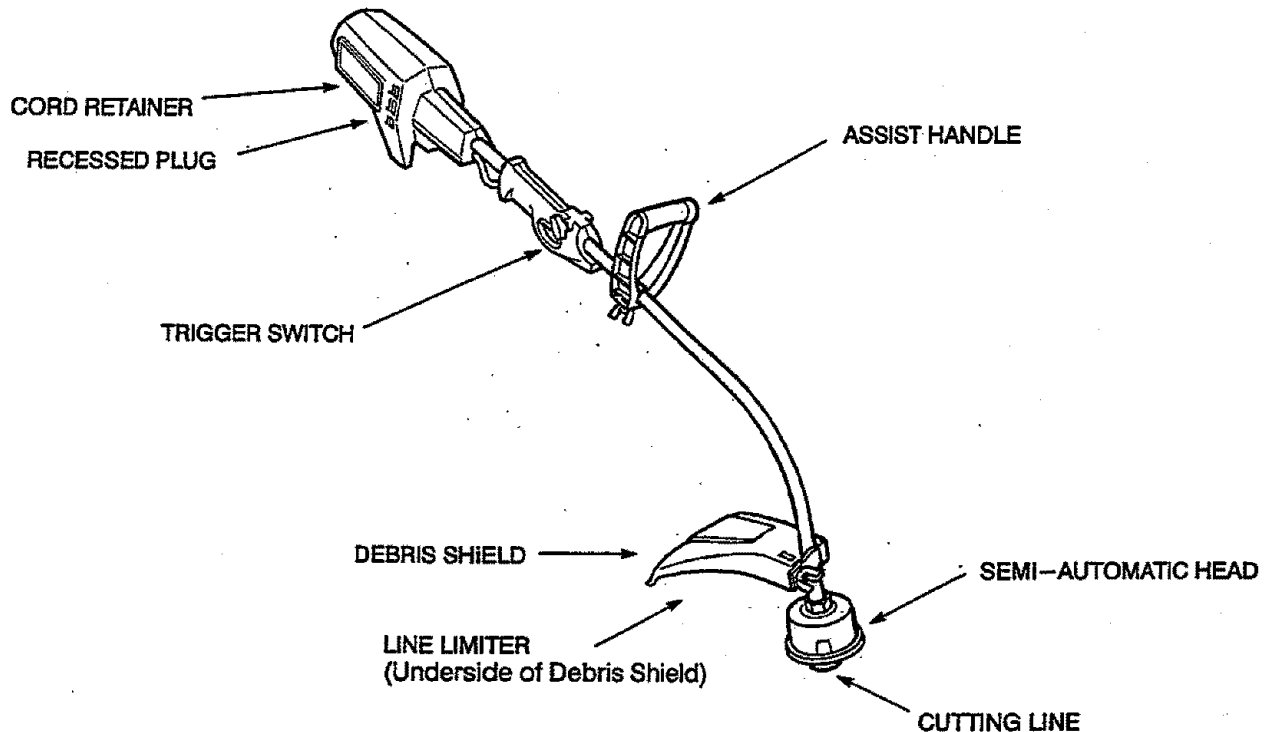


Figure 4.

The RECESSED PLUG is where you attach your extension cord to the unit.

The TRIGGER SWITCH is used to turn on the unit. Squeeze the trigger switch to operate the unit.

The LINE LIMITER cuts the cutting line to the proper cutting length.


The ASSIST HANDLE is used to help hold and guide the unit.

The SEMI-AUTOMATIC HEAD holds the cutting line and rotates during operation.

## DOUBLE INSULATION CONSTRUCTION



### WARNING

ALL ELECTRICAL REPAIRS TO THIS UNIT, INCLUDING HOUSING, SWITCH, MOTOR, ETC., MUST BE DIAGNOSED AND REPAIRED BY QUALIFIED SERVICE PERSONNEL. REPLACEMENT PARTS FOR A DOUBLE INSULATED APPLIANCE MUST BE IDENTICAL TO THE PARTS THEY REPLACE. A DOUBLE INSULATED APPLIANCE IS MARKED WITH THE WORDS "DOUBLE INSULATION" OR "DOUBLE INSULATED." THE SYMBOL (SQUARE WITHIN A SQUARE)  MAY ALSO BE MARKED ON THE APPLIANCE. FAILURE TO HAVE THE UNIT REPAIRED BY SEARS QUALIFIED SERVICE PERSONNEL CAN CAUSE THE DOUBLE INSULATION CONSTRUCTION TO BECOME INEFFECTIVE AND RESULT IN SERIOUS INJURY.

This unit is Double Insulated to help protect against electric shock. Double insulation construction consists of two separate "layers" of electrical insulation instead of grounding.

Tools and appliances built with a double insulation system are not intended to be grounded. No grounding means is provided on this unit, nor should a means of grounding be added to this unit. As a result, the extension cord used with your unit can be plugged into any standard 120 volt electrical outlet.

Safety precautions must be observed when operating any electrical tool. The double insulation system only provides added protection against injury resulting from an internal electrical insulation failure.



# OPERATION SAFETY

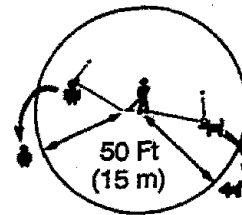
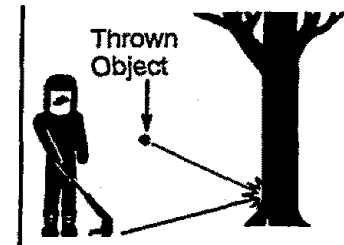


## WARNING

THE RAPIDLY MOVING LINE CAUSES OBJECTS TO BE THROWN VIOLENTLY. THE SHIELD WILL NOT PROVIDE COMPLETE PROTECTION TO THE OPERATOR OR OTHERS. THE OPERATOR MUST WEAR A SAFETY FACE SHIELD OR GOGGLES. STAY CLEAR OF SPINNING LINE. ALWAYS WEAR HEAVY, LONG PANTS AND SHOES OR BOOTS. KEEP OTHERS AT LEAST 50 FEET (15 METERS) AWAY.

THIS UNIT WILL THROW OBJECTS AND CUT. KEEP OTHERS INCLUDING CHILDREN, ANIMALS, BYSTANDERS, AND HELPERS AT LEAST 50 FEET (15 METERS) AWAY FROM THE OPERATOR AND UNIT. STOP THE UNIT IF YOU ARE APPROACHED.

CUTTING LINE HEAD PARTS THAT ARE CHIPPED, CRACKED, BROKEN, OR DAMAGED IN ANY OTHER WAY CAN FLY APART AND CAUSE SERIOUS INJURY. DO NOT USE. REPLACE DAMAGED PARTS BEFORE USING THE UNIT.



Hazard Zone

Use Only  
Recommended Sears  
Replacement Parts

## OPERATOR SAFETY

- Always wear a face safety shield or goggles. See "Accessories."
- Always wear heavy, long pants, long sleeves, shoes or boots, and gloves. See "Accessories." Do not go barefoot or wear sandals.
- Stay clear of spinning line.
- Being fully covered will help protect you from pieces of toxic plants such as poison ivy thrown by the trimmer head which could be more of a hazard than touching the plant itself.
- Secure hair above shoulder length. Secure or remove loose clothing or clothing with loosely hanging ties, straps, tassels, etc. They can be caught in moving parts.
- Do not operate this unit when you are tired, ill, or under the influence of alcohol, drugs, or medication.

## UNIT SAFETY

- Inspect the entire unit before each use. Replace damaged parts. Make sure all fasteners are in place and securely fastened.
- Use only .065" diameter line. Never use wire, rope, string, etc.
- Make sure the trimmer head is properly assembled and securely fastened.
- Use only genuine accessories or attachments as recommended.

## CUTTING SAFETY

- Inspect area to be cut before each use. Remove objects (rocks, broken glass, nails, wire, string, etc.) which can be thrown or become entangled in the trimmer head. Always cut to the left side of the unit so that clippings and debris will be thrown away from you.
- Hold the unit firmly.
- Keep firm footing and balance. Do not overreach.
- Keep the trimmer head below waist level.
- Do not raise the unit above your waist. The trimmer head can come dangerously close to your body.
- Keep all parts of your body away from the trimmer line when the unit is running.
- Use only for jobs explained in this manual.

# OPERATION

## STOPPING YOUR UNIT

- Release the trigger switch.

## STARTING YOUR UNIT

- Squeeze the trigger switch.

## OPERATING POSITION (Fig. 5)

Before operating the unit, stand in the operating position and check for the following:

- Operator wearing eye protection.
- Operator wearing heavy clothing.
- Right arm slightly bent, hand holding trigger handle.
- Left arm straight, hand holding assist handle.
- Unit below waist level.
- Without operator bending over, the semi-automatic head is near and parallel to the ground and easily contacts the material to be cut.

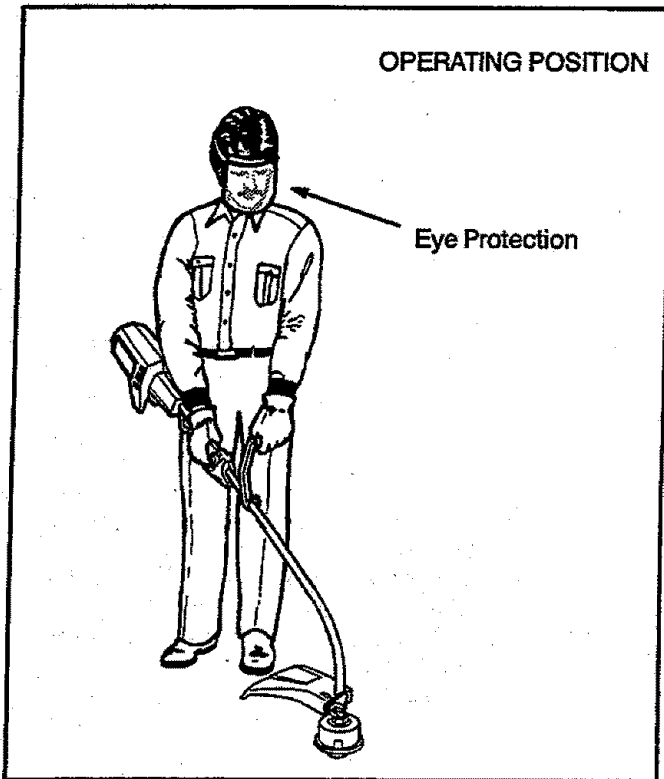


Figure 5.

## ASSIST HANDLE ADJUSTMENT (Fig. 6)

- Remove finger from trigger switch to turn off trimmer.
- Loosen wing nut.
- Rotate the Assist Handle into an upright position.
- Tighten wing nut.

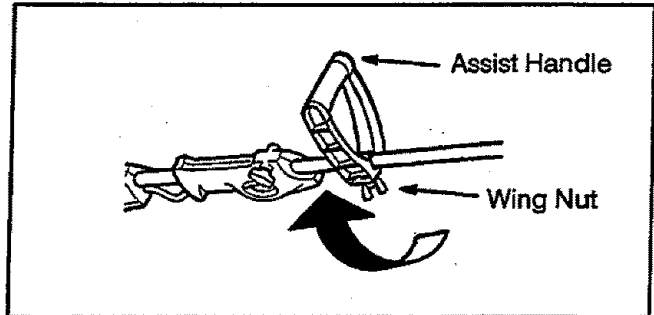


Figure 6

## TRIMMER LINE ADVANCE (Fig. 7)



**CAUTION: DO NOT BUMP SEMI-AUTOMATIC HEAD ON AN ABRASIVE SURFACE SUCH AS CONCRETE, ASPHALT, OR GRAVEL TO ADVANCE THE LINE. BUMPING THE SEMI-AUTOMATIC HEAD ON AN ABRASIVE SURFACE CAN CAUSE EXCESSIVE WEAR OR DAMAGE THE UNIT.**

Your trimmer is equipped with a semi-automatic head. Whenever the tap button is pressed, the head automatically advances a predetermined amount of line.

- While the semi-automatic head is turning, hold it parallel to and above a grassy area of ground.
- Tap semi-automatic head lightly on the ground one time. Approximately 1-1/2 to 3 inches of line will be advanced after each tap. Figure 7.

The line limiter on the plastic shield will cut line to the correct length. The most efficient line length is maximum length allowed by line limiter.

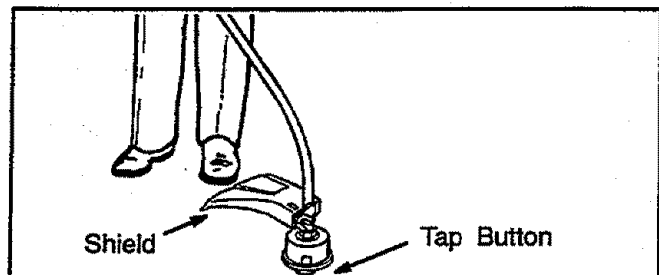


Figure 7.

# OPERATION

## OPERATING / USE TIPS (Fig. 8, 9, 10, & 11)



### WARNING

DO NOT CROWD LINE WHEN CUTTING AROUND HARD OBJECTS (ROCKS, GRAVEL, FENCE POSTS, ETC), WHICH CAN DAMAGE THE SEMI-AUTOMATIC HEAD, BECOME ENTANGLED IN THE LINE, OR BE THROWN CAUSING A SERIOUS HAZARD.

ALWAYS WEAR EYE PROTECTION. THIS UNIT IS NOT DESIGNED FOR EDGING. NEVER LEAN OVER THE SEMI-AUTOMATIC HEAD. ROCKS OR DEBRIS CAN RICOCHET OR BE THROWN INTO EYES AND FACE AND CAUSE BLINDNESS OR OTHER SERIOUS INJURY.

- The line will easily remove grass and weeds from around walls, fences, trees, and flower beds, but it also can cut the tender bark of trees or shrubs and scar fences.
- The tip of the line does the cutting. You will achieve best performance and minimum line wear by not crowding the line into the cutting area.
- Allow the unit to reach full speed before entering the material to be cut.
- Always release the trigger switch and allow the unit to stop when not cutting.
- Hold the bottom of the semi-automatic head about 3 inches above the ground and at an angle.
- **TRIMMING** Allow only the tip of the line to make contact. Do not force the trimmer line into the work area.

### TRIMMING

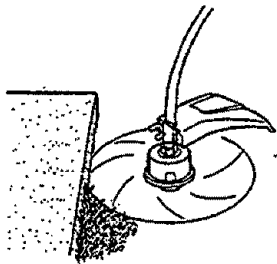


Figure 8.

- **SCALPING** The scalping technique removes unwanted vegetation. Allow the tip of the line to strike the ground around trees, posts, monuments, etc. *This technique increases line wear.*

### SCALPING

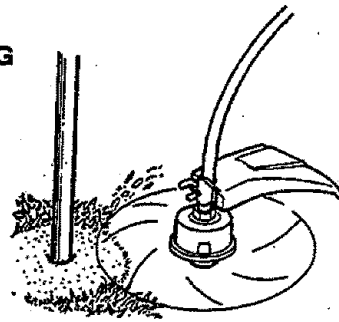


Figure 9.

- **MOWING** Your trimmer is ideal for mowing in places conventional lawn mowers cannot reach. Keep the line parallel to the ground.

### MOWING

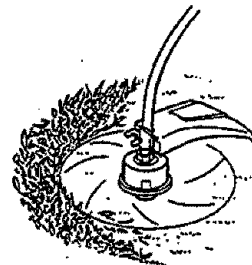


Figure 10.

- **SWEEPING** The fanning action of the rotating line can be used for a quick and easy clean up. Keep the line parallel to and above the surfaces being swept and move the unit from side to side.

### SWEEPING

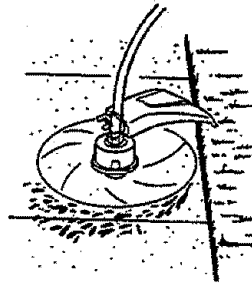


Figure 11.

# CUSTOMER RESPONSIBILITIES

## MAINTENANCE SCHEDULE

Fill in dates as you complete regular service.	Before Use	After Use	Service Dates			
Check for damaged or worn parts.	X					
Check for loose fasteners and parts.	X					
Clean unit and labels		X				

## GENERAL RECOMMENDATIONS

The warranty on this unit does not cover items that have been subjected to operator abuse or negligence. To receive full value from the warranty, the operator must maintain unit as instructed in this manual.

Some adjustments will need to be made periodically to properly maintain your unit.

All adjustments in the "Service and Adjustments" section of this manual should be checked at least once each season.

Follow the maintenance schedule in this manual.



### WARNING

**HAVE CUTTING LINE HEAD PARTS THAT ARE CRACKED, CHIPPED, OR DAMAGED IN ANY OTHER WAY REPLACED BEFORE USING THE UNIT.**

## BEFORE EACH USE

### CHECK FOR DAMAGED/WORN PARTS

- Semi-Automatic Head – replace semi-automatic head parts that are bent warped, cracked, or damaged in any way.

### CHECK FOR LOOSE FASTENERS/PARTS

- Semi-Automatic Head
- Assist Handle Wing Nut
- Shield Wing Nut

## AFTER EACH USE

### CLEAN UNIT AND LABELS

- Clean the unit using a damp cloth with a mild detergent.
- Wipe off the unit with a clean dry cloth.
- Keep air vents free from debris at all times.

# SERVICE AND ADJUSTMENTS

## LINE REPLACEMENT

Cutting line may be replaced by one of two different methods: rewinding the existing spool or installing a prewound spool.



### WARNING

**ALWAYS USE RECOMMENDED REPLACEMENT LINE. DO NOT USE WIRE OR METAL REINFORCED LINE – BROKEN PIECES CAN BECOME DANGEROUS MISSILES.**

## REMOVING THE EXISTING SPOOL

- Pull firmly on the tap button/spool to remove.
- Check the indexing teeth on the spool and hub for wear. If necessary, replace spool.
- Use a clean cloth to wipe the inner and outer surfaces of the hub and spool.

## REWINDING THE EXISTING SPOOL

- Use only .065 inch (1.65 mm) diameter line. Use of any other diameter line may damage the unit.
- Cut a length of line approximately 30 feet (10 m). Insert one end of the line about 1/2 inch (10 mm) into the small hole on the inside of spool.
- Wind the line evenly and tightly onto the spool.

**NOTE:** Winding too much line will cause head to jam or feed improperly. Failure to wind the line in the direction indicated or using excessive line will cause the bump head to operate incorrectly.

- Push the line into the notch leaving 3"–5" (8–12 cm) unwound.

## INSTALLING THE SPOOL (Fig. 12 & 13)

- Insert line into hub as shown.
- Align the notch with the line exit hole.
- Push spool into the hub until it snaps into place.
- Pull the line to release it from the notch in the spool.

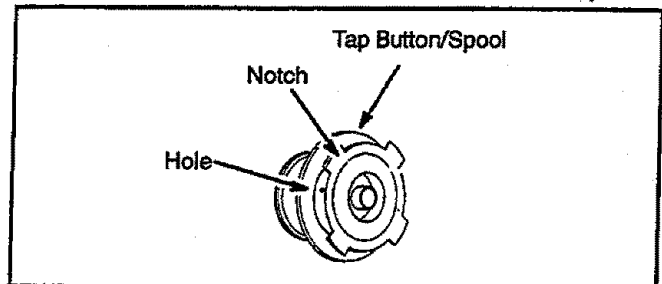


Figure 12.

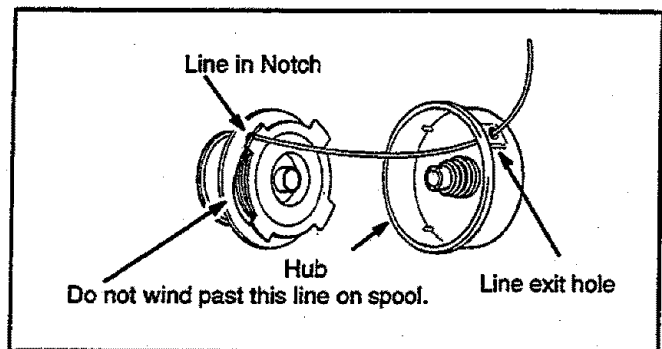


Figure 13.

# STORAGE

Immediately prepare your unit for storage at the end of the season.

## STORAGE INSTRUCTIONS

If your trimmer is to be stored for a period of time, clean it thoroughly before storage. Remove any dirt, sawdust, leaves, etc. Store in a clean dry area.

- Clean the entire unit.
- Open the semi-automatic head assembly and clean any dirt, grass or debris that has collected. Inspect the trimmer line, if old (chalky look and sticky to the touch), remove and discard. Install fresh new line the next time product is to be used.
- Clean air vents of debris.
- Reassemble all loose parts, being sure that all handles are in place and are securely fastened. Replace any damaged parts.
- Store your unit in a well ventilated area and covered, if possible, to prevent dust and dirt accumulation. Do not cover with plastic. Plastic cannot breathe and will induce condensation and eventual rust or corrosion.

# TROUBLESHOOTING POINTS

## TROUBLESHOOTING CHART

SYMPTOM	CAUSE	REMEDY
Semi-automatic head stops under a load or does not turn when switch is pressed.	<ol style="list-style-type: none"> <li>1. Crowding trimmer line against material being cut.</li> <li>2. Electrical failure.</li> <li>3. Thrown circuit breaker.</li> <li>4. Debris wrapped at semi-automatic head.</li> <li>5. None of the above.</li> </ol>	<ol style="list-style-type: none"> <li>1. Back trimmer head away from grass being cut; allow tip of line to do the cutting.</li> <li>2. Contact your Sears Service Center/Dept.</li> <li>3. Check breaker box.</li> <li>4. Remove debris.</li> <li>5. Contact your Sears Service Center/Dept.</li> </ol>
Line does not advance or breaks while cutting.	<ol style="list-style-type: none"> <li>1. Line improperly routed in semi-automatic head.</li> <li>2. Line improperly wound onto spool.</li> <li>3. Line size incorrect.</li> <li>4. Too little line outside semi-automatic head.</li> <li>5. Dirt accumulated on cover.</li> </ol>	<ol style="list-style-type: none"> <li>1. Remove cover. Check line routing.</li> <li>2. Rewind line tightly and evenly.</li> <li>3. Use only correct diameter line. (See "Specification Chart")</li> <li>4. Remove cover. Pull 4" of line to outside.</li> <li>5. Clean cover.</li> </ol>
Line welds onto spool.	<ol style="list-style-type: none"> <li>1. Line size incorrect.</li> <li>2. Incorrect spool.</li> <li>3. Crowding line against material being cut.</li> </ol>	<ol style="list-style-type: none"> <li>1. Use only correct diameter line. (See "Specification Chart")</li> <li>2. Use proper spool.</li> <li>3. Cut with tip of line, fully extended.</li> </ol>
Line releases continuously.	<ol style="list-style-type: none"> <li>1. Line improperly routed in semi-automatic head.</li> <li>2. Damaged spool.</li> <li>3. Damaged hub.</li> </ol>	<ol style="list-style-type: none"> <li>1. Remove cover. Check line routing.</li> <li>2. Replace spool</li> <li>3. Contact your Sears Service Center/Dept.</li> </ol>
Line usage is excessive.	<ol style="list-style-type: none"> <li>1. Line improperly routed in semi-automatic head.</li> <li>2. Line size incorrect.</li> <li>3. Crowding line against material being cut.</li> <li>4. Spool teeth worn or damaged.</li> </ol>	<ol style="list-style-type: none"> <li>1. Remove cover. Check line routing.</li> <li>2. Use only correct diameter line. (See "Specification Chart")</li> <li>3. Cut with tip of line.</li> <li>4. Replace spool.</li> </ol>
Line pulls back into head.	<ol style="list-style-type: none"> <li>1. Too little line outside semi-automatic head.</li> <li>2. Line size incorrect.</li> </ol>	<ol style="list-style-type: none"> <li>1. Remove cover. Pull 4" of line to outside.</li> <li>2. Use only correct diameter line. (See "Specification Chart")</li> </ol>

*If situations occur which are not covered in this manual, use care and good judgement.*

*If you need assistance, contact your Sears Service Center/Department or the  
CUSTOMER ASSISTANCE HOTLINE at 1-800-235-5878.*



# SEARS

## Operator's Manual

Model No.  
358.799080 (16")

### IF YOU NEED REPAIR SERVICE OR PARTS:

REPAIR SERVICE  
1-800-4-REPAIR  
(1-800-473-7247)

ORDERING PARTS  
1-800-FON-PART  
1-800-366-7278



**CUSTOMER  
ASSISTANCE  
1-800-235-5878**

HOURS (GST)  
Mon. - Sat. 7 a.m. - 7 p.m.  
Sun. 10 a.m. - 7 p.m.

# CRAFTSMAN<sup>®</sup>

## 6.0 AMP MOTOR

### 16 Inch Semi-Automatic Head

# ELECTRIC WEEDWACKER<sup>®</sup>

Each Electric Weedwacker<sup>®</sup> has its own model number. The model number for your unit will be found on a decal attached to the unit.

All parts listed herein may be ordered through Sears, Roebuck and Co. Service Centers and most Retail Stores.

WHEN ORDERING REPAIR PARTS, ALWAYS GIVE THE FOLLOWING INFORMATION

- PRODUCT - "ELECTRIC WEEDWACKER"
- MODEL NUMBER - 358.799080
- PART NUMBER
- PART DESCRIPTION

Your Sears merchandise has added value when you consider that Sears has service units nationwide staffed with Sears trained technicians... professional technicians specifically trained on Sears products, having the parts, tools and the equipment to insure that we meet our pledge to you, we service what we sell.

If you need assistance, contact your SEARS Service Center/Department or the CUSTOMER ASSISTANCE HOTLINE 1-800-235-5878

Sears, Roebuck and Co., Hoffman Estates, IL 60179 USA

PRINTED IN U.S.A.