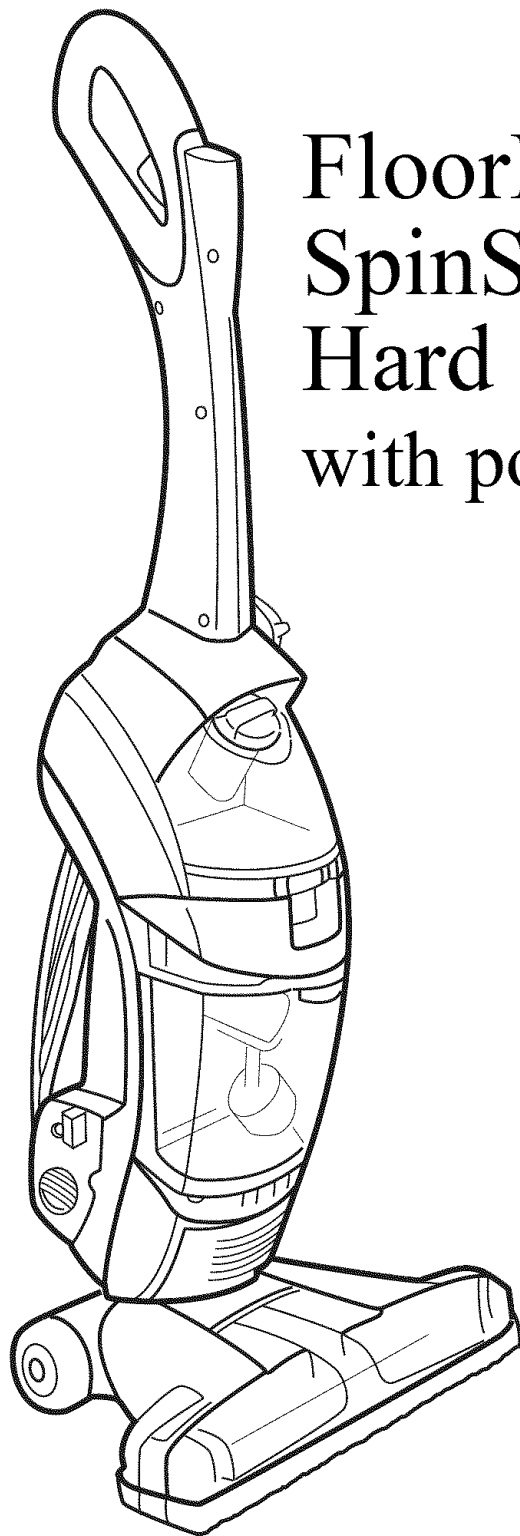
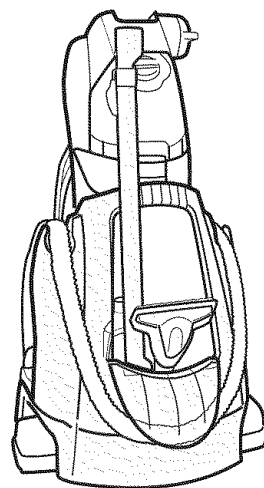


HOOVER®

ENGLISH → pp. 1-20
ESPAÑOL → pág. 21-36



FloorMate™ SpinScrub™ Hard Floor Cleaner with portable tool kit



Important Safeguards!

When using an electrical appliance, always follow basic precautions, including the following:

READ ALL INSTRUCTIONS BEFORE USING APPLIANCE.

WARNING:

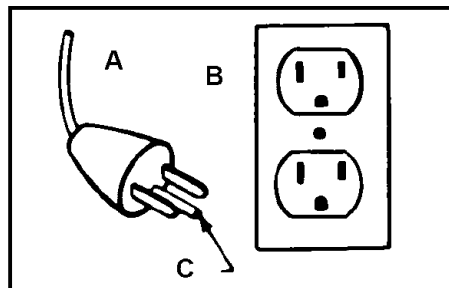
To reduce the risk of fire, electric shock, or injury:

- Use indoors only.
- Use only on surfaces moistened by the cleaning process or small spills. Do not immerse product.
- For use on bare floors or sealed wood floors. NOT for use on carpets.
- Always install float before any wet pick up operation.
- Close supervision is necessary when any appliance is used by or near children. Do not allow cleaner to be used as a toy or to run unattended at any time.
- Keep hair, loose clothing, fingers, feet and all parts of body away from openings and moving parts.
- Do not pick up anything that is burning or smoking, such as cigarettes, matches, or hot ashes.
- Do not pick up or use flammable or combustible materials such as gasoline or fine wood sandings or use in areas where they may be present.
- Avoid picking up hard, sharp objects with the cleaner. They may damage the machine.
- Do not put any object into openings. Do not use with any opening blocked; keep free of dust, lint, hair, and anything that may reduce air flow.
- Do not pull or carry by cord, use cord as a handle, close door on cord or pull cord around sharp edges or corners. Do not run appliance over cord. Keep cord away from heated surfaces.
- Always disconnect cord from electrical outlet before servicing the cleaner.
- Unplug cleaner when not in use. Turn off all controls before unplugging.
- Do not unplug by pulling on cord. To unplug, grasp the plug, not the cord.
- Never handle plug or appliance with wet hands.
- Connect to a properly grounded outlet only. See "Grounding Instructions".
- Do not clean over floor electrical outlets.
- Do not use without tanks in place.
- Use extra care when cleaning on stairs. Do not place cleaner on stairs.
- The use of an extension cord is not recommended. If an extension cord is absolutely necessary, use at least a 16 gauge 3-wire cord which has a 3-prong grounding type plug and a 3-pole receptacle that accepts the machine plug.
- Keep detergents and other cleaners out of children's reach.
- Do not pick up chlorine bleach, drain cleaner, gasoline or any other toxic material with this appliance.
- When using recommended chemicals with this machine, be certain area is well ventilated.
- Follow manufacturer's instructions for all chemicals used with this machine. Do not exceed recommended mixing ratios.
- Store in a dry place. Do not expose machine to freezing temperatures.
- Do not use with damaged cord or plug. If appliance is not working as it should, has been dropped, damaged, left outdoors, or dropped into water, take it to a Hoover Sales and Service Center or Authorized Hoover Warranty Service Dealer.
- Use cleaner only for its intended use as described in the instructions.

WARNING:

This product contains chemicals known to the State of California to cause cancer. **WASH HANDS AFTER HANDLING.**

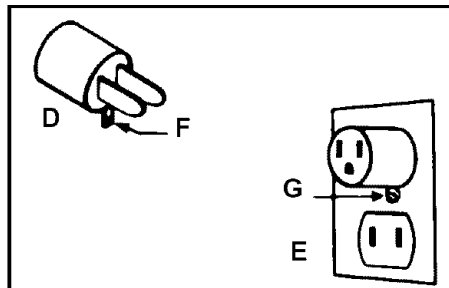
Grounding Instructions



This appliance must be grounded. If it should malfunction or breakdown, grounding provides a path of least resistance for electrical current to reduce the risk of electric shock. This appliance is equipped with a cord having an equipment-grounding conductor (C) and grounding plug (A). The plug must be plugged into an appropriate outlet (B) that is properly installed and grounded in accordance with all local codes and ordinances.

DANGER-

Improper connection of the equipment-grounding conductor can result in the risk of electric shock. Check with a qualified electrician or service person if you are in doubt as to whether the outlet is properly grounded. Do not modify the plug provided with the appliance - if it will not fit the outlet, have a proper outlet installed by a qualified electrician. This appliance is for use on a nominal 120 volt circuit and has a grounding plug that looks like the plug illustrated in sketch (A).



A temporary adapter (D) may be used to connect this plug to a 2-pole receptacle (E) if a properly grounded outlet (B) is not available. The temporary adapter should be used only until a properly grounded outlet (B) can be installed by a qualified electrician. The green colored rigid ear, lug, or the like (F) extending from the adapter must be connected to a permanent ground (G) such as a properly grounded outlet box cover. Whenever the adapter is used, it must be held in place by a metal screw. **NOTE:** In Canada, the use of a temporary adapter is not permitted by the Canadian Electrical Code.

Save these instructions!

To contact us:

- www.hoover.com
- 1-800-944-9200 - automated service dealer locator
- 1-330-499-9499 - our Consumer Response Center (8 AM to 5 PM Monday - Friday)

Fill in and Save

For your records, enter the model number and serial numbers in the spaces provided. These numbers are located on the data label on the back of the cleaner body.

Model No. _____

Serial No. _____

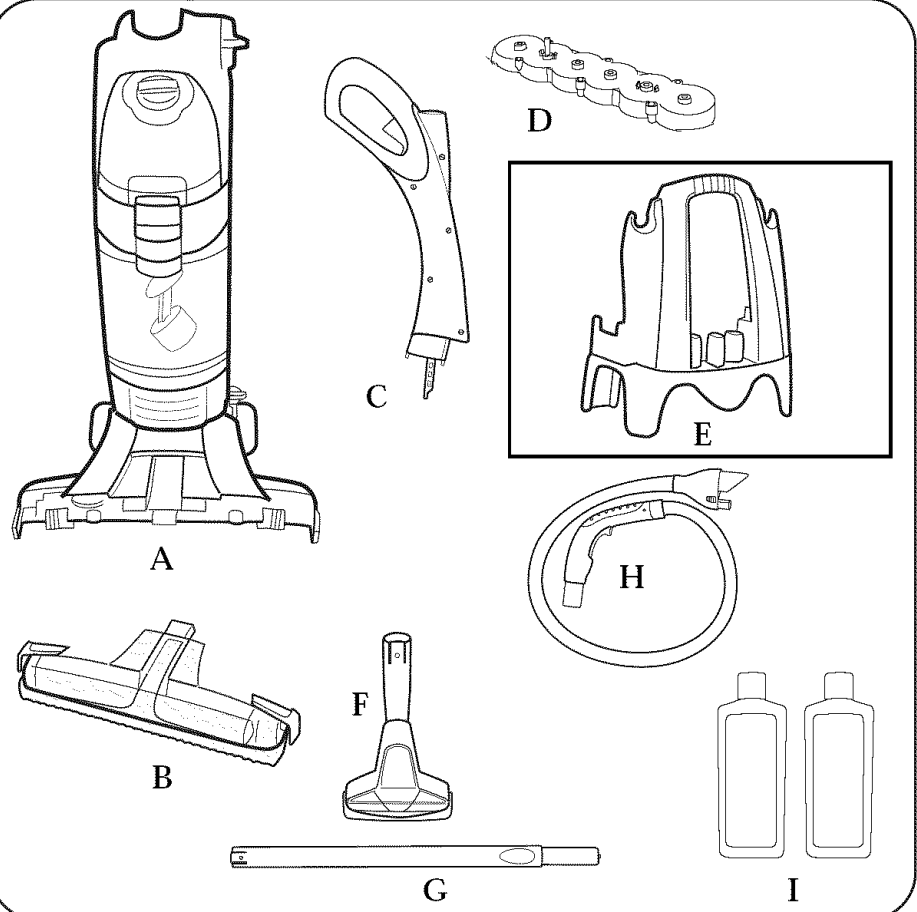
Save your sales receipt and attach it to this manual. Proof of date of purchase may be required for warranty service of your cleaner.

Contents

Important safeguards	2
Carton contents	3
Cleaner description	4
Assembly	
Handle assembly	5
Brush/nozzle assembly	5-6
General Operation	
Mode selector dial	8
Solution tank	9-10
Recovery tank	10-11
Automatic shut-off	10
To clean filters	11-12
How to clean	
Recommended cleaning sequence	12
Cleaning floors	13
Picking up spills	13
Using the hose and tools	
Select tool	14
Attach hose and tool	14
Storage	15
Maintenance	
Cleaning the nozzle	16
Cleaning the brushes	17
Troubleshooting	18
Service	19
Warranty	20
Parts & accessories mail order form	37

Carton Contents

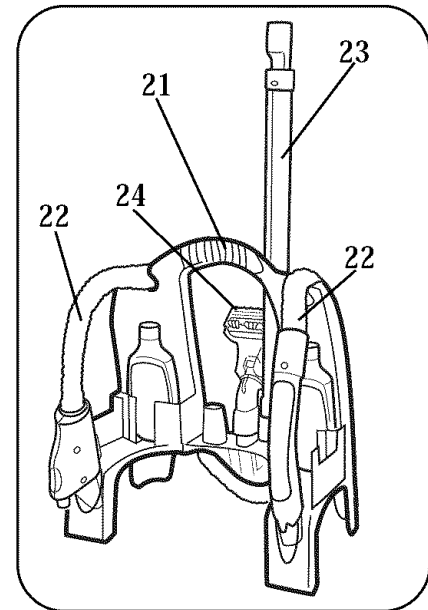
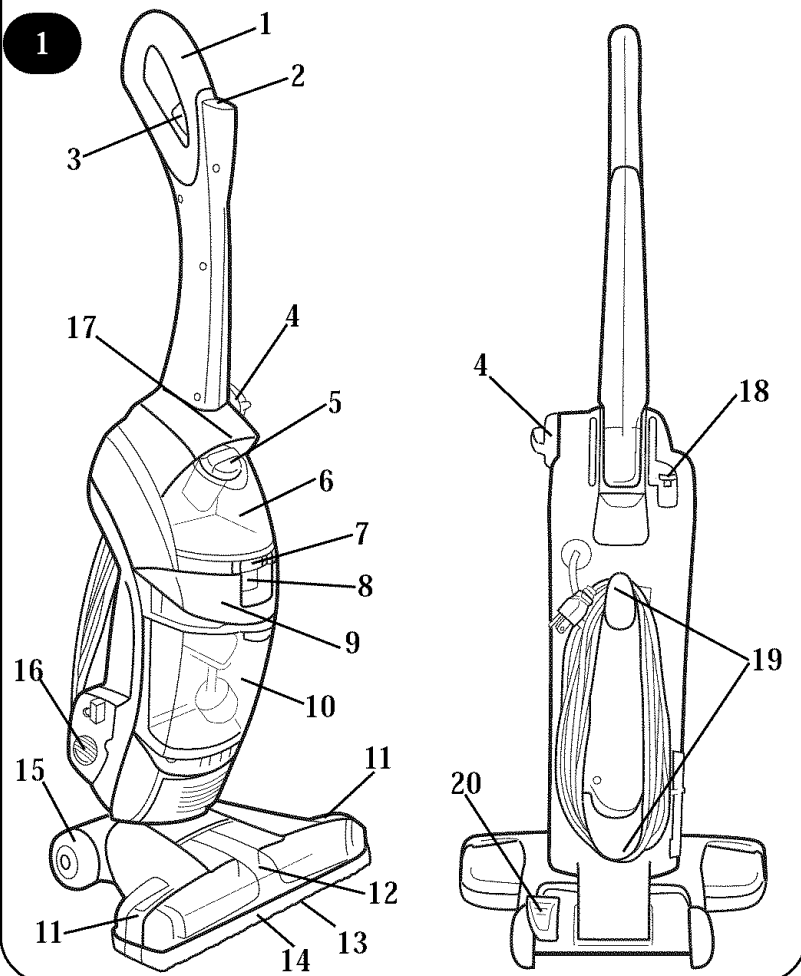
- A. Hard floor cleaner
- B. Nozzle
- C. Upper handle
- D. Brush assembly
- E. Tool caddy
- F. Floor swivel tool
- G. Telescoping wand
- H. Hose
- I. Floor cleaning concentrates



Cleaner Description

This cleaner is intended for household use.

Operate cleaner only at voltage specified on data plate on back of cleaner. Plug cleaner into a properly grounded outlet.



This user manual applies to models with either 6 or 7 brushes.

Features

1. **Soft hand grip**
2. **ON/OFF switch**
3. **Solution trigger:** squeeze to release cleaning solution
4. **Mode selector dial:** turns brushes ON for wet cleaning and OFF for wet pickup and dry vacuuming
5. **Clean solution tank cap/measuring cup**
6. **Clean solution tank**
7. **Clean solution tank release**
8. **Recovery tank release**
9. **Recovery tank lid and filter**
10. **Recovery tank:** collects dry debris as well as dirty cleaning solution
11. **Nozzle release buttons:** release nozzle for easy clean-up (located behind nozzle)
12. **Nozzle**
13. **Squeegee** (underneath nozzle)
14. **Bumper**
15. **Soft-tread wheels**
16. **Hose connector door**
17. **Carrying handle**
18. **Upper handle release button**
19. **Cord hooks:** top hook rotates for quick cord release
20. **Handle release pedal**
21. **Tool caddy**
22. **Hose**
23. **Telescoping wand**
24. **Floor swivel tool**

Assemble handle

2 Rotate bottom handle support (A) up to the upright position until a snap is felt.

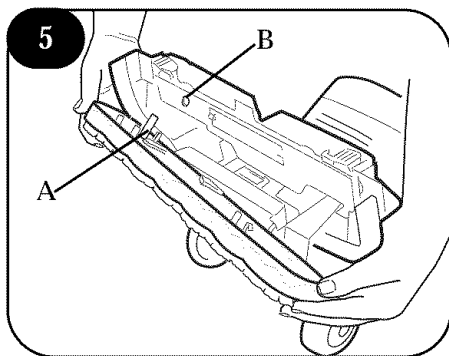
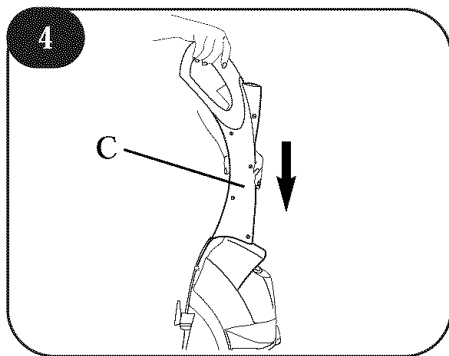
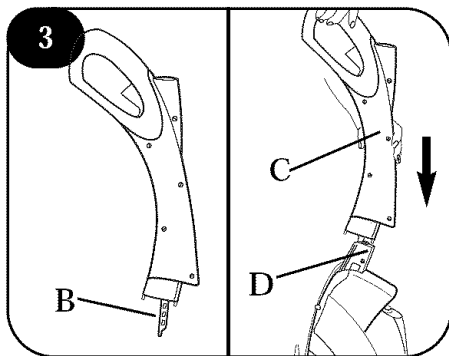
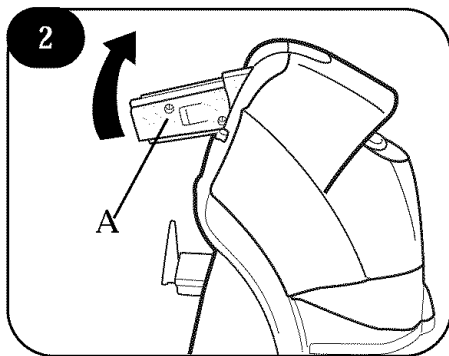
3 Align control rod (B) on upper handle (C) with slot in bottom handle support (D).

4 Push upper handle (C) all the way down until you hear it snap in place.

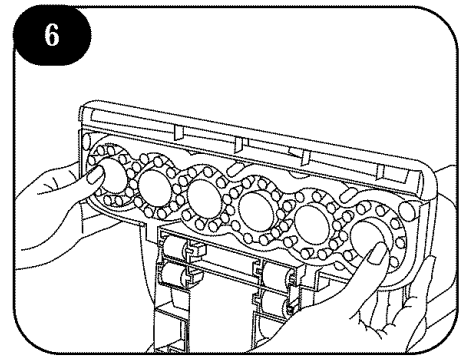
Install brushes and nozzle

5 To install brushes, place handle in upright position. Tilt cleaner back so that it rests on the floor.

Align post (A) on brush block with hole (B) on bottom of cleaner. Turn brushes slightly until post fits easily into hole.



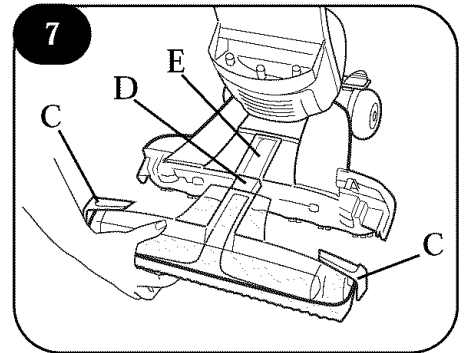
6 Press brush assembly firmly to snap into place.



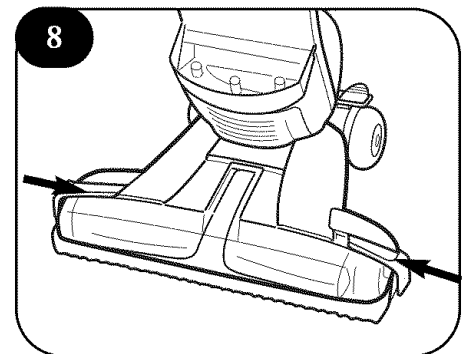
7 To install nozzle, make sure latches (C) are out. For easier installation, place cleaner in upright position.

Align middle section (D) of nozzle with opening (E) on cleaner.

Remove cardboard packing insert from squeegee area on underside of nozzle.

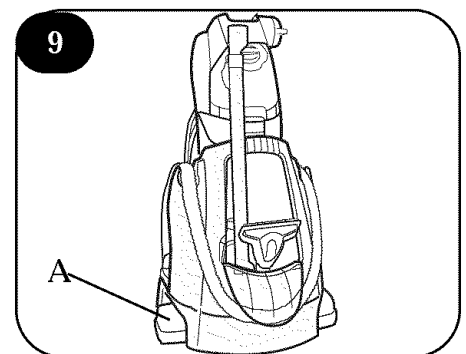


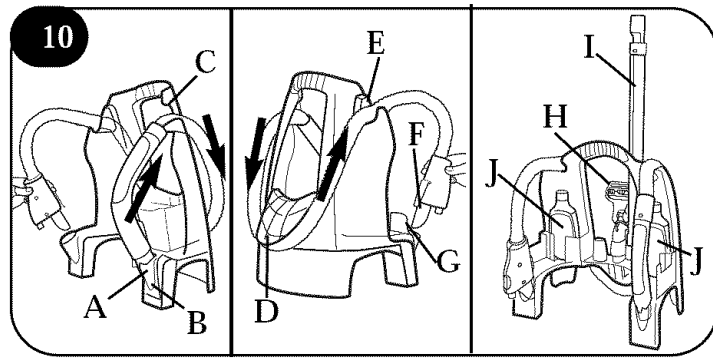
8 While holding nozzle in place, slide latches inward to lock in place.



Tool caddy

9 The caddy conveniently fits over the top of the cleaner nozzle (A) for storage.

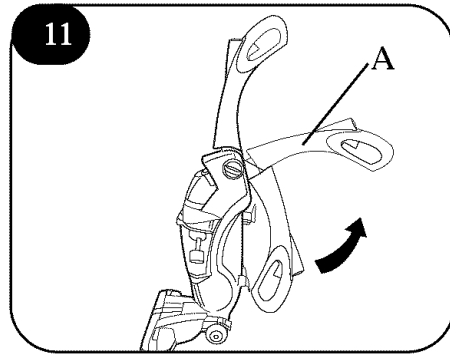




Store hose, tools and accessories

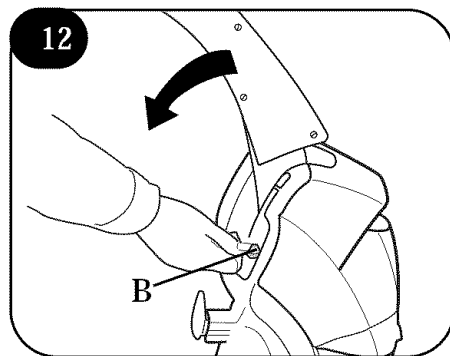
- 10** To store hose: Place the hose grip (A) into slot (B) on back of caddy. Pull hose up and press into cut-out area (C). Continue wrapping hose down, underneath tongue (D), and back up, pressing into second cut-out area (E). Place hose end (F) into slot (G) on back of caddy.

Place floor swivel tool (H), telescoping wand (I) and detergent (J) into caddy as shown.



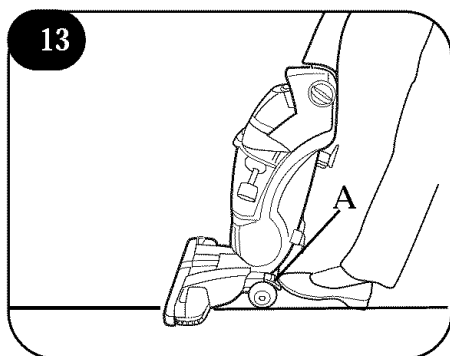
Unfold handle

- 11** Raise upper handle (A) to upright position until it locks in place.



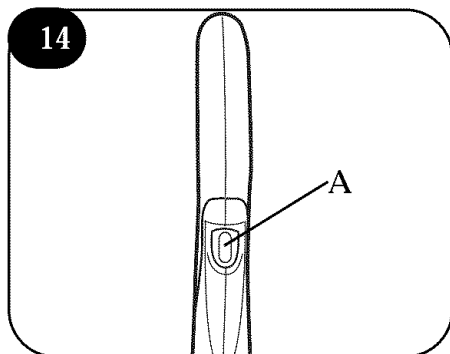
How to fold handle

- 12** Press upper handle release button (B) to fold handle to storage position.



Handle release pedal

- 13** Step on pedal (A) to lower handle to operating position. Handle does not lock into a single position, but “floats” to allow convenient operation.

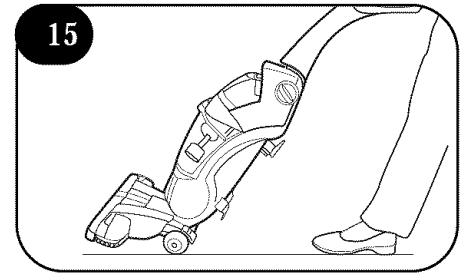


ON/OFF switch

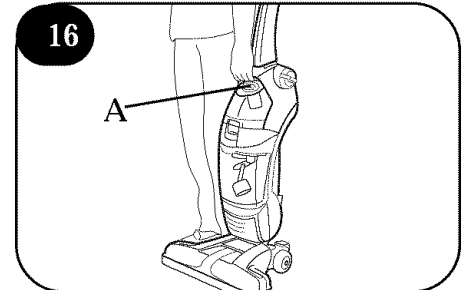
- 14** Push switch (A) once to turn cleaner ON. Push switch again to turn cleaner OFF.

Transporting

15 To move your cleaner from room to room, put handle in upright position, tilt cleaner back on rear wheels and push forward.



16 The cleaner may also be lifted using the carrying handle (A) on the front of the cleaner.



General operation

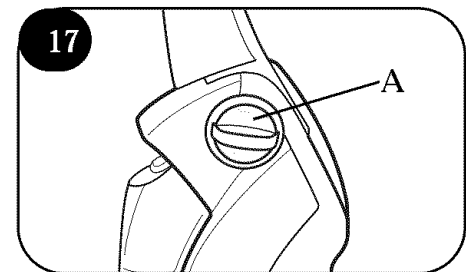
Your HOOVER FloorMate™ SpinScrub™ Cleaner can be used to both vacuum dry debris and wet clean non-carpeted floor surfaces such as vinyl, tile, marble and sealed wood. **It is not intended for use on carpet or rugs.**

CAUTION: To prevent damage to wood floors, follow the flooring manufacturer's cleaning recommendations.

If using cleaner on sealed wood floors, inspect floor surface for worn finish, bare wood or separated joints. Do not use FloorMate™ SpinScrub™ Cleaner to wet clean sealed wood floors if any of these conditions exist.

Mode selector dial

17 The Mode selector dial (A) turns the brushes on and off.

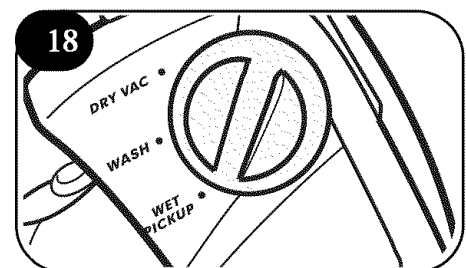


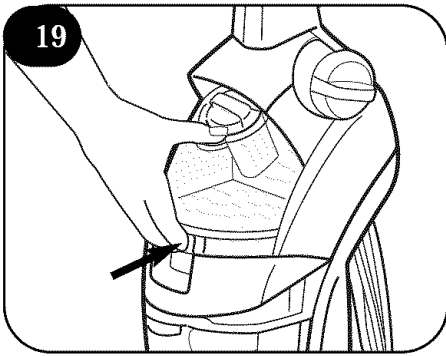
18 For dry debris pickup, turn the dial to the DRY VAC position. In this position, the brushes will not rotate and are raised off the floor surface.

To wet clean with brushes turned ON, turn the dial to the WASH position.

For wet pickup, turn the dial to the WET PICKUP position.

Refer to "How to clean" section for complete cleaning instructions.





The tanks

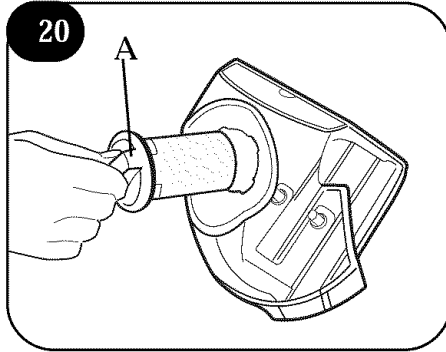
Solution (upper) tank

The solution tank holds detergent and water that is to be dispersed onto the surface being cleaned.

How to fill

Disconnect cleaner from electrical outlet.

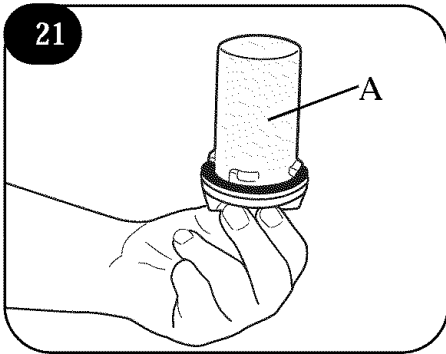
Place cleaner handle in upright, locked position.



19 To remove tank, squeeze release button and pull tank straight out.

Carry tank to a sink.

20 Rotate tank cap counter-clockwise and lift up to remove cap (A).



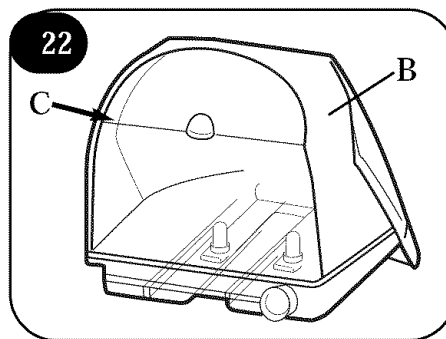
21 Turn cap (A) upside down to serve as a measuring cup.

For hard surface floors such as **ceramic tile, vinyl, linoleum, laminate wood, polyurethane sealed wood or other wood floors that can normally be cleaned using water**, use one cap (2 oz.) HOOVER® Floor to Floor™ Cleaner.

Check for worn spots or joint separations before using, as these conditions could lead to damaged flooring when using water to clean floor.

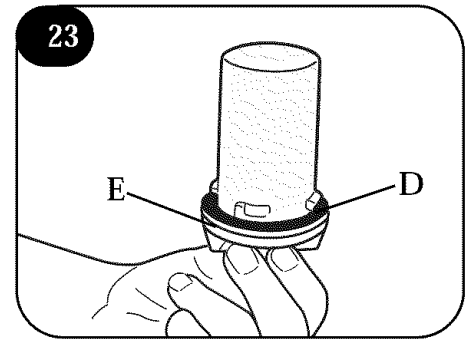
DO NOT use cleaning concentrates that contain solvent based ingredients.

CAUTION: HOOVER® Floor to Floor™ Cleaning Concentrate cannot be used in Hoover SteamVac™ products. Doing so could damage your SteamVac™ Cleaner.

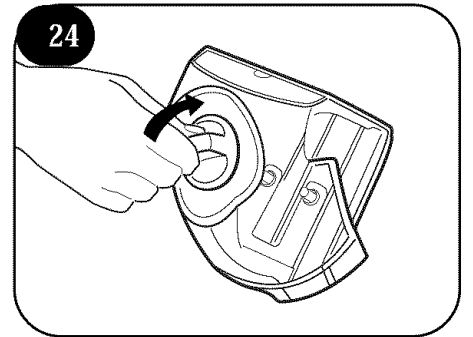


22 Pour cleaning concentrate into tank (B). Fill tank to fill line (C) (1 quart) with warm water.

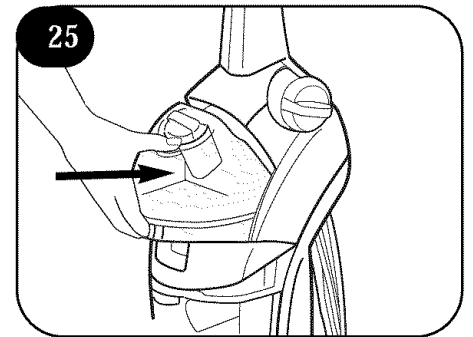
- 23 If rubber ring (D) on cap has become dislodged, reposition it with uneven side against ledge (E) as shown.



- 24 Replace cap. Rotate cap clockwise until it locks in place. Cap must be locked in place for proper performance and to prevent leaking.



- 25 Slide tank straight into position until latch snaps in place.



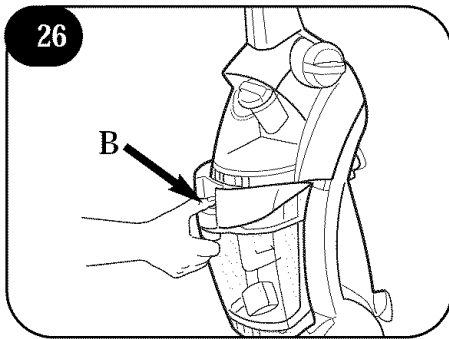
Recovery (lower) tank

Automatic shut-off

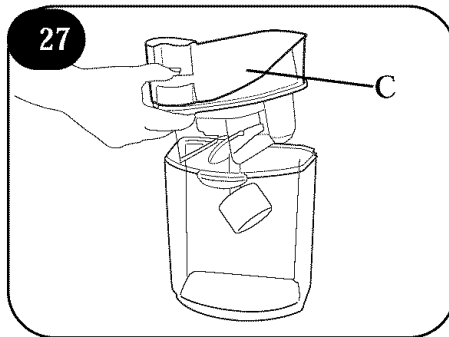
An automatic suction shut-off is built into the recovery tank to prevent the tank from overflowing.

When the shut-off activates, the cleaner will not pick up debris and the sound of the motor will change. The recovery tank is full and must be emptied.

How to empty



- 26** To remove tank, press down on release button (B) and pull tank straight out.

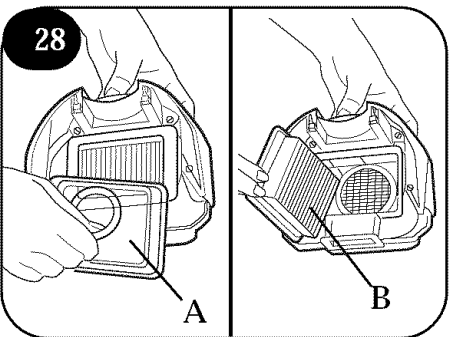


- 27** Remove tank lid (C). Empty tank.

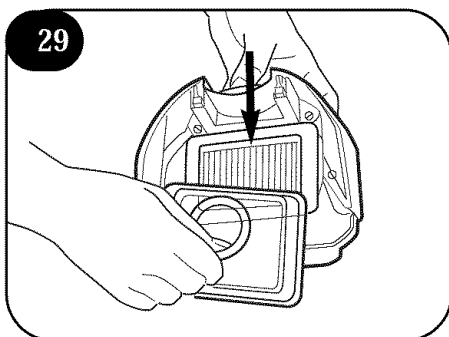
To clean filters

The tank lid contains a washable, reusable filter. Clean this pleated filter when suction is low or reduced.

Turn cleaner OFF and disconnect from electrical outlet.



- 28** Remove recovery tank and lid (Figs. 26 & 27). Remove filter lid (A), then remove filter (B). Remove loose debris from filter by tapping the filter or gently brushing using your hand. The filter may also be rinsed for additional cleaning. Allow filter to air dry between uses.



Reposition filter.

- 29** Replace filter lid. Press down firmly until snapped in place.

NOTE: The filter, filter lid and tanks must be replaced, or the unit will not work properly.

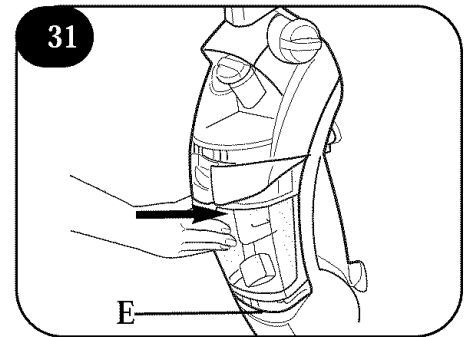
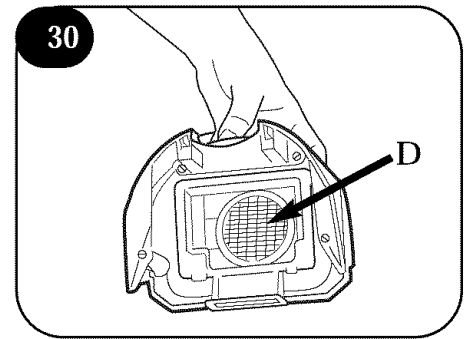
30 Dry or loose debris will also collect on the filter screen located in the tank lid.

To remove debris from screen, remove the pleated filter from the lid. Remove debris from screen (D).

The filter screen may also be cleaned by rinsing it under running water.

Reposition pleated filter in lid. Replace lid onto recovery tank, pressing down firmly until snapped in place.

31 To replace recovery tank, place bottom of tank behind ledge (E) and push tank straight into cleaner body until it is locked in place.

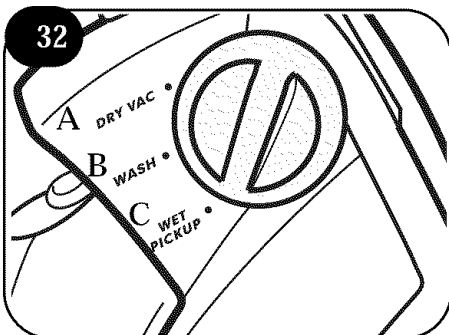


How to clean

Recommended cleaning sequence

Use your HOOVER® FloorMate™ SpinScrub™ Cleaner to:

- **Dry Vacuum** to remove loose dirt, hair and debris.
- **Wet Clean** the floor surface. The brushes will provide light agitation to help loosen dirt.
- **Wet Pickup** reduces drying time of the floor surface.



The **Mode selector dial** turns the brushes on and off.

32 For **dry debris pickup**, turn the dial to the **DRY VAC** position (A). In this position, the brushes will not rotate and are raised off the floor surface.

To **wet clean with brushes turned ON**, turn the dial to the **WASH** position (B).

For **wet pickup**, turn the dial to the **WET PICKUP** position (C).

Cleaning floors

NOTE: Your HOOVER® FloorMate™ SpinScrub™ cleaner may be used to clean wood floors that have been sealed with a polyurethane coating and can be cleaned with water.

CAUTION: To prevent damage to wood floors, follow the flooring manufacturer's cleaning recommendations.

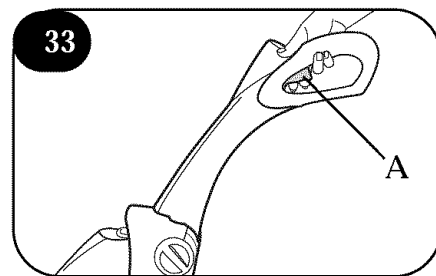
If using cleaner on sealed wood floors, inspect floor surface for worn finish, bare wood or separated joints. Do not use FloorMate™ SpinScrub™ cleaner to wet clean sealed wood floors if any of these conditions exist.

- 1 Set Mode selector dial to DRY VAC position and vacuum floor.
- 2 Turn cleaner off and disconnect from electrical outlet. Empty recovery tank (see Figs. 26 and 27). Determine the type of brushes to be used (either gray for ceramic and other tiles or white for vinyl and sealed wood floors). See "Cleaning the brushes" for removing and replacing brushes.
- 3 Fill solution tank with Floor to Floor™ Cleaning Concentrate and water (see Figs. 19 through 25).
Do not use solvent based cleaning concentrates in your cleaner. Do not use any type of wax in your cleaner.
- 4 Turn Mode selector dial to WASH position.
- 5 Dry hands and plug cleaner into a properly grounded outlet.
- 6 Step on handle release pedal and lower handle to operating position. Turn cleaner ON.
- 7 To release solution, squeeze trigger (A) (Fig. 33). **Slowly** move cleaner forward and backward over area to be cleaned. Squeeze trigger to release solution as needed.

Overlap strokes by one inch to help prevent streaking. The cleaner's suction will pick up the dirty solution throughout cleaning.
- 8 To greatly enhance drying of the floor surface, release trigger and turn Mode selector dial to the WET PICKUP position. Continue to move cleaner over the area to pick up the dirty solution.
- 9 To continue cleaning another area, turn Mode selector dial to WASH position. Repeat steps 7 through 9.

Note: When cleaning sealed wood floors, make sure all areas are completely dry. Ensure that no water remains on the floor.

Note: When switching between wet cleaning and wet pickup, it is not necessary to turn the cleaner off. Simply move the Mode selector dial between the two settings.
- 10 Empty recovery tank or clean the filter when the motor sound becomes higher in pitch and there is a loss of suction (see "Automatic shut-off" section).



Picking up spills

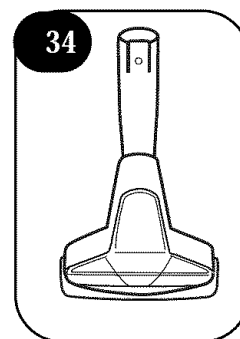
Your cleaner may also be used to pick up **small liquid spills (1 quart or less, never to exceed 1/4 inch in depth)** on non-carpeted floors. Turn Mode selector dial to the WET PICKUP position and release the trigger. Continue to move cleaner over the area to pick up the spill.

Do not use the cleaner to pick up flammable or combustible liquids or chemicals. do not use the cleaner to pick up detergents that contain solvent based ingredients.

Using the tools

34 Floor swivel tool

- Swivel head
- 2 rows of brushes
- Use to clean small, tight areas

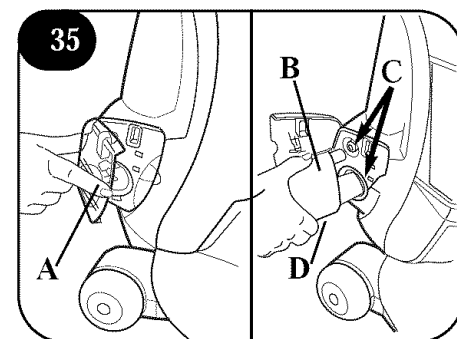


Attach hose and tool

Unplug cleaner from electrical outlet.

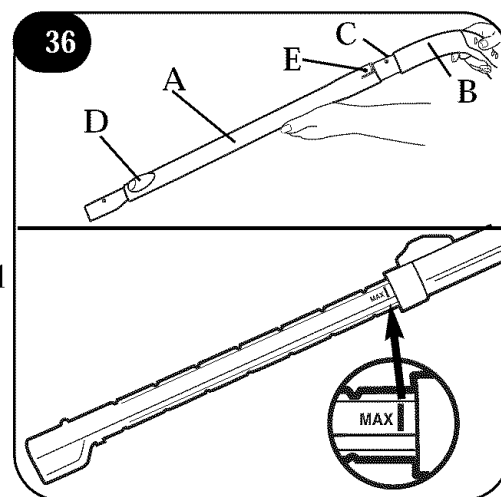
How to connect hose

- 35** ✓ Open hose door (A) on side of cleaner.
- ✓ Align hose connector (B) with hose and solution ports (C).
- ✓ Insert hose connector (B) until it snaps in place.
- ✓ **To disconnect hose:** Squeeze the hook (D) on bottom of hose connector. Remove hose from port.
- ✓ Close hose door tightly.



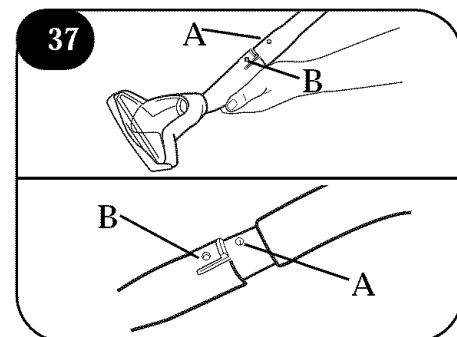
How to connect telescoping wand

- 36** ✓ Slide wand (A) onto hose end (B). Snap wand over tab (C) on hose.
- ✓ To extend telescoping wand, pull button (D) toward you and pull wand away from you to the desired length. The full extension of the wand is indicated by a 'MAX' line. It is recommended you do not extend the wand past this line.
- ✓ **To remove wand:** Push forward and up on latch (E). Slide wand off hose.



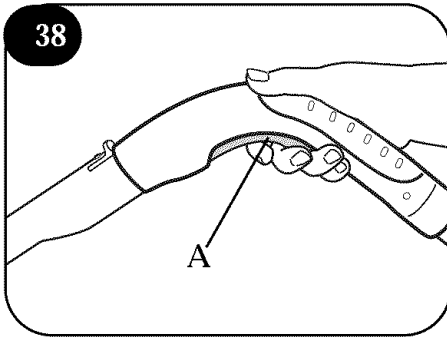
How to connect tool

- ✓ Tool may be attached directly to the hose or onto the telescoping wand.
- 37** ✓ Slide tool onto hose or wand. Snap tool over tab (A) on hose or wand.
- ✓ **To remove tool:** Push forward and up on latch (B). Slide tool off hose or wand.



The handle must be in the upright position in order to get cleaning solution through the hose.

NOTE: It may be necessary to remove air from the system (**prime the pump**) so the clean solution will flow to the tool. After attaching the tool to the hose, turn the cleaner ON. Put the tool against your hand to block off the suction. Wait a few seconds, then squeeze the trigger and begin cleaning.



Using the tool

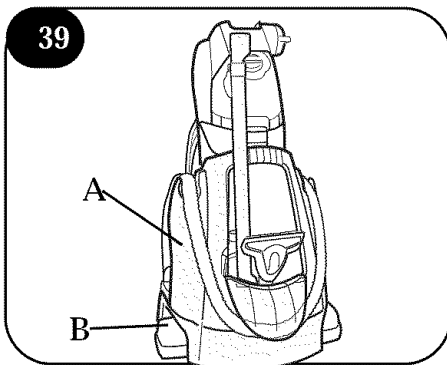
- 38 ✓ Squeeze and hold trigger (A) in hose grip to release cleaning solution.
- ✓ Let go of trigger and pull tool over same area to pick up dirty solution without putting down more solution.

Storing the cleaner

Before storing cleaner:

Turn cleaner OFF and disconnect from electrical outlet.

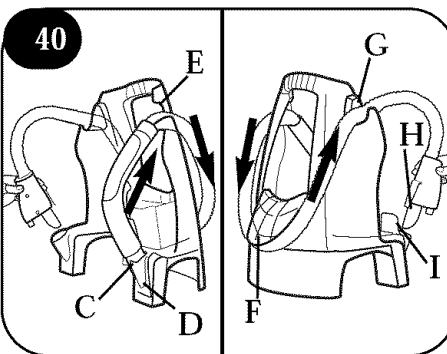
- Empty and rinse solution and recovery tanks. Allow to air dry.
- Press on upper handle release button to lower handle for storage.
- Make sure that nothing is pressing on the nozzle squeegee.
- Do not store cleaner on a wood surface unless cleaner is completely dry.



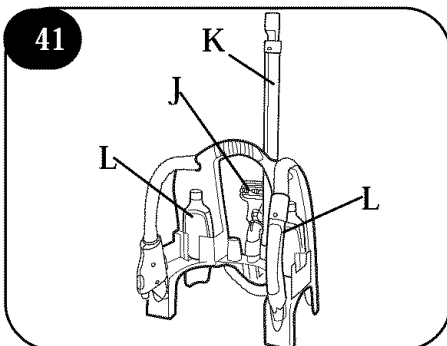
Tool caddy

- 39 For your convenience, the HOOVER® FloorMate™ SpinScrub™ tool caddy (A) is provided for storing the hose, tool, telescoping wand, set of brushes and detergent.

The caddy conveniently fits over the top of the cleaner nozzle (B) for storage.



- 40 **To store hose:** Place the hose grip (C) into slot (D) on back of caddy. Pull hose up and press into cut-out area (E). Continue wrapping hose down, underneath tongue (F), and back up, pressing into second cut-out area (G). Place hose end (H) into slot (I) on back of caddy.



- 41 Place floor swivel tool (J), telescoping wand (K) and detergent (L) into caddy as shown.

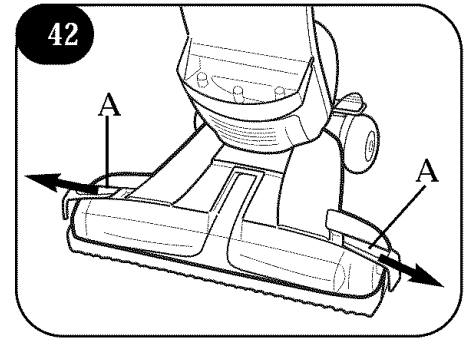
Continued →

Maintenance

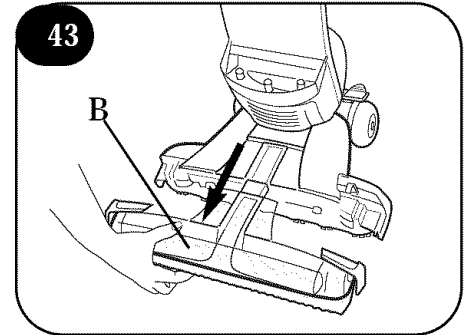
Cleaning the nozzle

Turn cleaner OFF and disconnect from electrical outlet.
The cleaner's nozzle can be removed for easy cleaning.

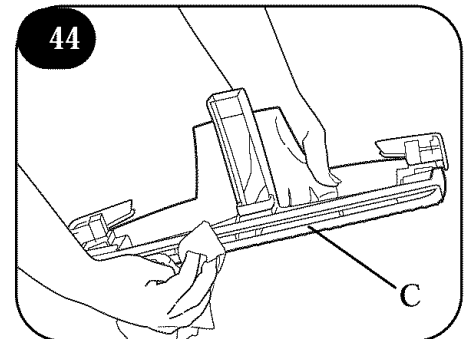
42 Slide the two nozzle release latches (A) outward.



43 Remove nozzle (B) by pulling straight out.



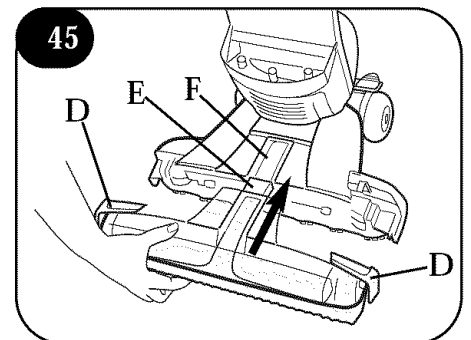
44 Rinse nozzle under running water. Remove debris from squeegee (C) and wipe with a damp cloth.



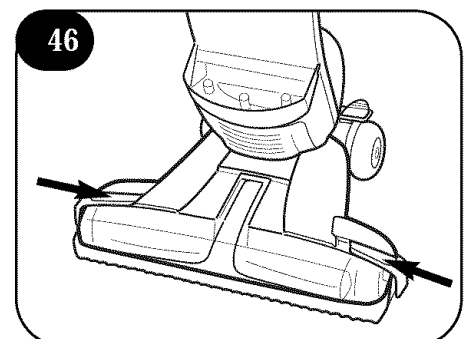
45 To replace nozzle, make sure latches (D) are out.

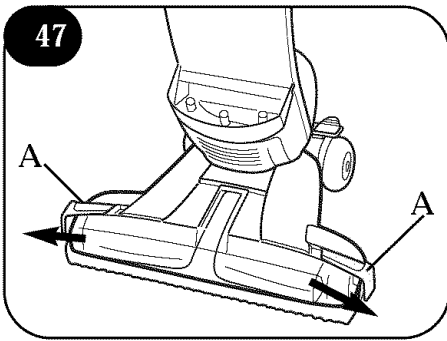
Cleaner should be in the upright position for easier assembly of the nozzle.

Align middle section (E) of nozzle with opening (F) on cleaner.



46 While holding nozzle in place, slide latches inward to lock in place.





Cleaning the brushes

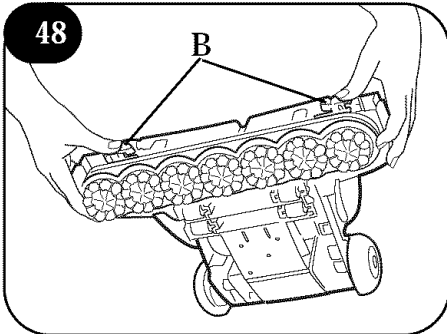
The brush assembly can be removed for easy cleaning.

Turn cleaner OFF and disconnect from electrical outlet.

Place handle in the upright position.

Remove tanks to prevent leaking. Set aside.

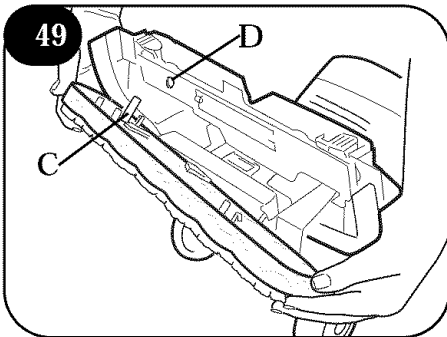
47 Pull the two nozzle release buttons (A) out. Remove nozzle.



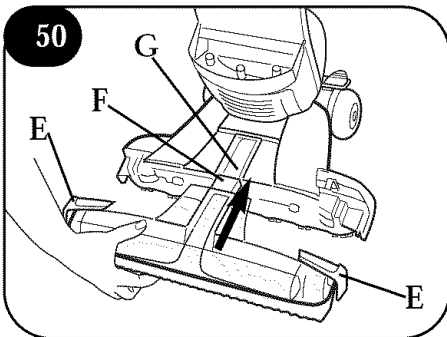
Tilt cleaner back so handle rests on floor.

48 Push two brush release buttons (B) and remove the brush assembly.

The brushes can be washed with a mild detergent and rinsed. Do not use a solvent based detergent.

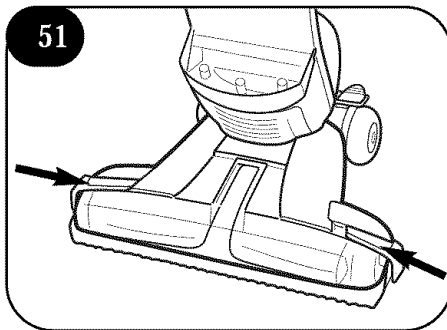


49 To replace brushes, align post (C) on brush block with hole (D) on bottom of cleaner. Turn brushes slightly until post fits easily into hole. Press brush assembly firmly to snap into place.



50 Return cleaner to upright position. Replace nozzle, making sure latches (E) are out.

Align middle section (F) of nozzle with opening (G) on cleaner.



51 While holding nozzle in place, slide latches inward to lock in place.

Replace tanks.

Troubleshooting

Use the list below to help solve minor problems.

What's the problem?	What to do
Cleaner won't run	<ul style="list-style-type: none"> ✓ Make sure the cleaner is plugged in firmly. ✓ Check the fuse or breaker.
Low suction	<ul style="list-style-type: none"> ✓ Empty the recovery tank; it may be full and the automatic shut-off engaged. ✓ Make sure filter and filter lid are properly positioned. ✓ Make sure tanks are locked in place. ✓ Check the filter and clean if dirty. ✓ Make sure nozzle is replaced properly and locked. ✓ Make sure the hose door is closed tightly when not using the hose.
Water puddling behind cleaner	<ul style="list-style-type: none"> ✓ Use recommended detergents to reduce excess foaming. ✓ Make sure solution tank is installed properly. ✓ Empty recovery tank.
Won't pick up dirty solution	<ul style="list-style-type: none"> ✓ Check Mode selector dial to ensure it is set for WET PICKUP. ✓ Make sure recovery tank is installed properly. ✓ Empty recovery tank. ✓ Make sure filter and filter lid are properly positioned.
Cleaner pushes a line of dry debris in front of it	<ul style="list-style-type: none"> ✓ Check Model selector dial to ensure it is set for DRY VAC. ✓ Tip nozzle off floor by pushing down on handle to pick up debris that is too large to clear the squeegee.
Cleaning solution won't dispense	<ul style="list-style-type: none"> ✓ Make sure solution tank is locked in position. ✓ Refill the solution tank if it is empty. ✓ Pump needs to be primed (when using tool). See page 15.
Brushes won't rotate	<ul style="list-style-type: none"> ✓ Check Mode selector dial to ensure it is set for WASH. ✓ Reset circuit breaker. <ol style="list-style-type: none"> (1) Push ON/OFF switch to turn cleaner OFF. (2) Unplug the cleaner. (3) Wait one minute. (4) Plug the cleaner into electrical outlet. (5) Push the ON/OFF switch again to turn cleaner ON. <p>If the brushes continue to stall and the breaker trips again, clean the brushes to remove debris.</p>

Lubrication

The motor is equipped with bearings which contain sufficient lubrication for the life of the motor. The addition of lubricant could cause damage. **Do not add lubricant to motor bearings.**

Service

To obtain approved HOOVER service and genuine HOOVER parts, locate the nearest Hoover Sales and Service Center or Authorized Hoover Warranty Service Dealer (Depot) by:

- ✓ Checking the Service Section of Hoover on-line at www.hoover.com OR
- ✓ Checking the list of Sales and Service Centers provided with this cleaner OR
- ✓ Checking the Yellow Pages under “Vacuum Cleaners - Household” OR
- ✓ Calling 1-800-944-9200 for an automated referral of authorized service outlet locations (U.S. only)

Do not send your cleaner to Hoover in Newton, Iowa for service; this will only result in delay.

If further assistance is needed, contact the Hoover Consumer Response Center,
Phone: 330-499-9499.

In Canada, contact Hoover Canada, Burlington, Ontario L7R 4A8; Phone: 1-800-263-6376.

Always identify your cleaner by the complete model number when requesting information or ordering parts. (The model number appears on the back of the cleaner.)

Full One Year Warranty

(Domestic Use)

Your HOOVER® appliance is warranted in normal household use, in accordance with the Owner's Manual against original defects in material and workmanship for a period of one full year from date of purchase. This warranty provides, at no cost to you, all labor and parts to place this appliance in correct operating condition during the warranted period. This warranty applies when the appliance is purchased in the United States including its territories and possessions, or in Canada or from a U. S. Military Exchange. Appliances purchased elsewhere are covered by a limited one year warranty which covers the cost of parts only. This warranty does not apply if the appliance is used in a commercial or rental application.

This warranty only applies when the product is in use in the country or territory in which it is purchased.

Warranty service can only be obtained by presenting the appliance to one of the following authorized warranty service outlets. Proof of purchase will be required before service is rendered.

1. Hoover Sales and Service Centers.
2. Hoover Authorized Warranty Service Dealers (Depots).

**For an automated referral of authorized service outlets in the U.S.A.,
phone 1-800-944-9200 OR
visit Hoover on-line at
www.hoover.com**

This warranty does not cover pick up delivery, or house calls; however, if you mail your appliance to a Hoover Sales and Service Center for warranty service, transportation will be paid one way.

While this warranty gives you specific legal rights, you may also have other rights which vary from state to state.

If further assistance is needed, or if there are questions concerning this warranty or the availability of warranty service outlets, write or phone the Consumer Response Center, Phone 1-330-499-9499.
In Canada, contact Hoover Canada, Burlington, Ontario L7R 4A8, 1-800-263-6376.