

HOOVER®

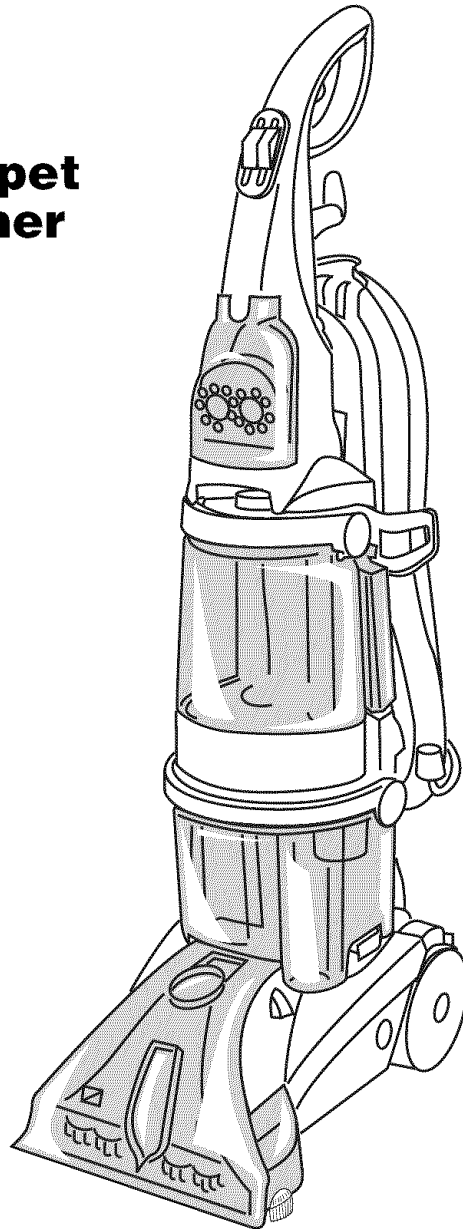
ENGLISH → pp. 1-17
ESPAÑOL → pág. 18-28



SteamVac™

All Terrain Carpet and Hard Floor Cleaner with Auto Rinse™ Feature

**The Easy to Use Carpet
and Hard Floor Cleaner**



**SteamVac™ All Terrain™ Cleaner cleans carpet fibers and hard floors
by applying, scrubbing and removing hot tap water and cleaning solution.**

www.hoover.com

Important Safeguards!

When using an electrical appliance, always follow basic precautions, including the following:

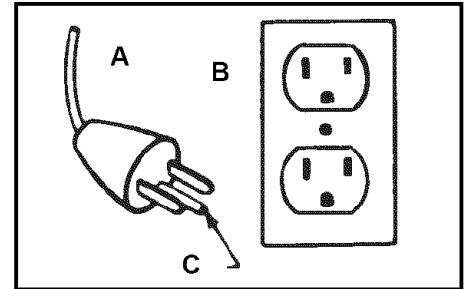
READ ALL INSTRUCTIONS BEFORE USING APPLIANCE.

WARNING:

To reduce the risk of fire, electric shock, or injury:

- Use indoors only.
- Use only on surfaces moistened by the cleaning process. Do not immerse product.
- Connect to a properly grounded outlet only. See "Grounding Instructions".
- Do not clean over floor electrical outlets.
- Do not use without tanks in place.
- Do not fill with water above 140°F (60°C).
- When using recommended chemicals with this machine, be certain area is well ventilated.
- Use extra care when cleaning on stairs. Do not place cleaner on stairs.
- Use cleaner only for its intended use as described in the instructions.
- Use only attachments recommended by Hoover; others may cause hazards.
- The use of an extension cord is not recommended. If an extension cord is absolutely necessary, use at least a 16 gauge 3-wire cord which has a 3-prong grounding type plug and a 3-pole receptacle that accepts the machine plug.
- Unplug cleaner when not in use. Turn off all controls before unplugging.
- Unplug before connecting the powered hand tool.
- Always disconnect cord from electrical outlet before servicing the cleaner.
- Do not unplug by pulling on cord. To unplug, grasp the plug, not the cord.
- Never handle plug or appliance with wet hands.
- Do not pull or carry by cord, use cord as a handle, close door on cord or pull cord around sharp edges or corners. Do not run appliance over cord. Keep cord away from heated surfaces.
- Do not use with damaged cord or plug. If appliance is not working as it should, has been dropped, damaged, left outdoors, or dropped into water, take it to a Hoover Sales and Service Center or Authorized Hoover Warranty Service Dealer.
- Close supervision is necessary when any appliance is used by or near children. Do not allow cleaner to be used as a toy or to run unattended at any time.
- Do not point tools toward people or pets.
- Use only commercially available Hoover SteamVac™ cleaners intended for machine application. Do not use any type of wax with cleaner.
- Keep detergents and other cleaners out of children's reach.
- Do not use to pick up flammable or combustible liquids such as gasoline or use in areas where they may be present.
- Do not pick up chlorine bleach, drain cleaner, gasoline or any other toxic material with this appliance.
- Do not pick up anything that is burning or smoking, such as cigarettes, matches, or hot ashes.
- Avoid picking up hard, sharp objects with the cleaner. They may damage the machine.
- Keep hair, loose clothing, fingers, feet and all parts of body away from openings and moving parts.
- Do not put any object into openings. Do not use with any opening blocked; keep free of dust, lint, hair, and anything that may reduce air flow.
- To help prevent matting and resoiling, avoid contact with carpets until they are dry. Keep children and pets away from carpets until they are completely dry.
- Store in a dry place. Do not expose machine to freezing temperatures.

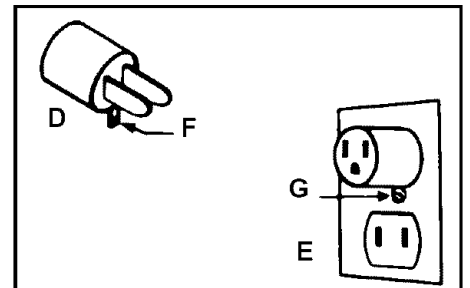
Grounding Instructions



This appliance must be grounded. If it should malfunction or breakdown, grounding provides a path of least resistance for electrical current to reduce the risk of electric shock. This appliance is equipped with a cord having an equipment-grounding conductor (C) and grounding plug (A). The plug must be plugged into an appropriate outlet (B) that is properly installed and grounded in accordance with all local codes and ordinances.

DANGER-

Improper connection of the equipment-grounding conductor can result in the risk of electric shock. Check with a qualified electrician or service person if you are in doubt as to whether the outlet is properly grounded. Do not modify the plug provided with the appliance - if it will not fit the outlet, have a proper outlet installed by a qualified electrician. This appliance is for use on a nominal 120 volt circuit and has a grounding plug that looks like the plug illustrated in sketch (A).



A temporary adapter (D) may be used to connect this plug to a 2-pole receptacle (E) if a properly grounded outlet is not available. The temporary adapter should be used only until a properly grounded outlet (B) can be installed by a qualified electrician. The green colored rigid ear, lug, or the like (F) extending from the adapter must be connected to a permanent ground (G) such as a properly grounded outlet box cover. Whenever the adapter is used, it must be held in place by a metal screw. **NOTE:** In Canada, the use of a temporary adapter is not permitted by the Canadian Electrical Code.

Save these instructions!

Thank you for choosing a HOOVER product.

If you need any assistance:

Visit our website at www.hoover.com. Click on the "Service" button to find the service outlet nearest you OR
 Call **1-800-944-9200** for an automated referral of service outlet locations (U.S. only) OR
 Call 1-330-499-9499 to speak with a representative in our Consumer Response Center.

PLEASE DO NOT RETURN THIS PRODUCT TO THE STORE.

Fill in and Save

Please enter the COMPLETE model and serial numbers in the spaces provided and save.

The model and serial numbers are located on the data label on the bottom of the cleaner.

Model No. _____

Serial No. _____

Hint: Attach your sales receipt to this owner's manual.

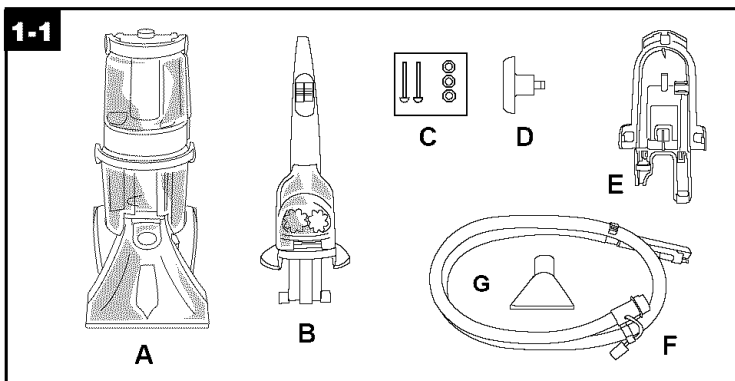
Verification of date of purchase may be required for warranty service of your Hoover product.

Contents

| | |
|-------------------------------------|-------|
| Important safeguards | 2 |
| Parts needed for assembly | 3 |
| Assembling cleaner | 3-6 |
| Cleaner description | 7 |
| General operation | 7-10 |
| Filling the clean water tank | 8-10 |
| Emptying the recovery tank | 10 |
| SpinScrub mode selector | 8 |
| Automatic shut-off | 8 |
| How to use | |
| Before you begin | 10 |
| After cleaning | 11 |
| Cleaning carpet | 12 |
| Cleaning hard floors | 12-13 |
| Using the tools | 14-15 |
| Cleaning carpeted stairs | 15 |
| Cleaning upholstery | 15 |
| Maintenance | 16 |
| Removing brushes | 16 |
| If you have a problem | 17 |
| Lubrication | 16 |
| Service | 17 |
| Storage | 16 |
| Warranty | 18 |
| Parts & accessories mail order form | 29 |

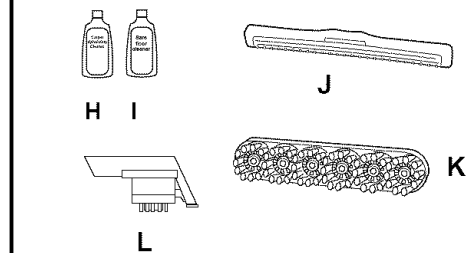
1. Assembly

Parts needed for assembly



- A. Cleaner
- B. Upper handle
- C. Handle bolts and nuts (in bag with hose)
- D. Hose/cord hook
- E. Hose/tool caddy
- F. Hose
- G. Stair/upholstery nozzle

Accessories



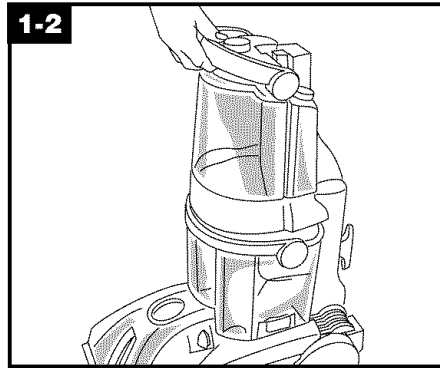
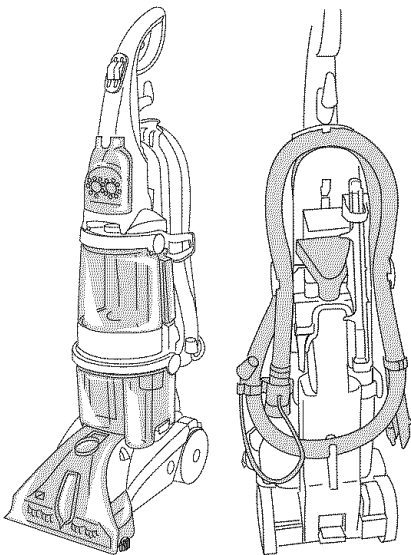
- H. Carpet/Upholstery Detergent
- I. Hard Floor Cleaning Solution
- J. Hard Floor Squeegee
- K. Hard Floor Brush Assembly*
- L. SpinScrub™ hand tool

Accessories not included with your model may be purchased separately using the order form located at the back of this manual.

*Hard floor brush assembly (white bristles) is not intended for use on carpets or rugs.

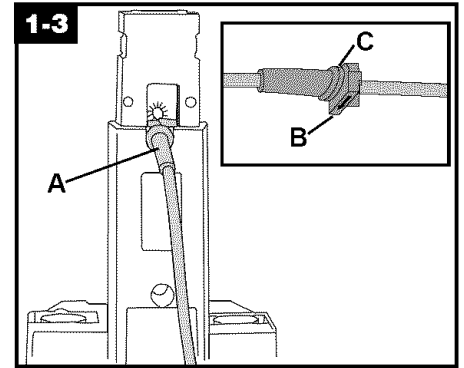


The assembled cleaner will look like this drawing.

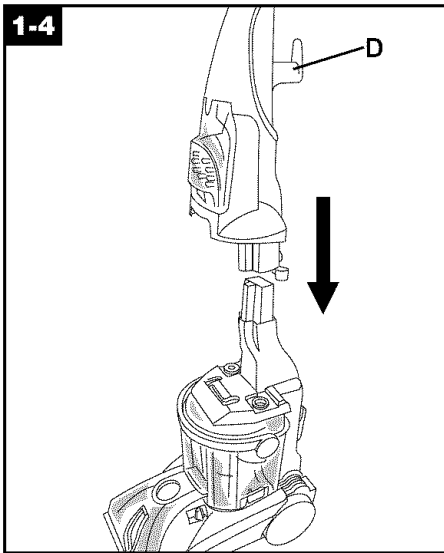


Attach upper handle

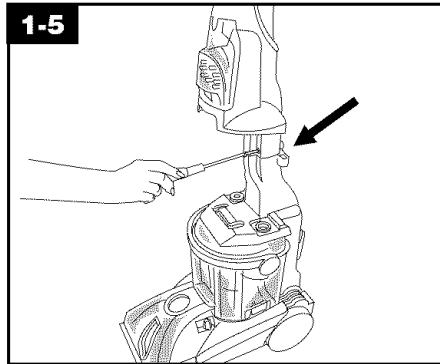
Remove clean water tank (upper tank) from cleaner.



NOTE: If the cord protector (A) on back of handle should become dislodged during unpacking, **make sure it is repositioned properly before continuing with assembly** of your cleaner. With the arrow (B) on the cord protector pointing down, press groove (C) in the cord protector into slot in the lower handle.

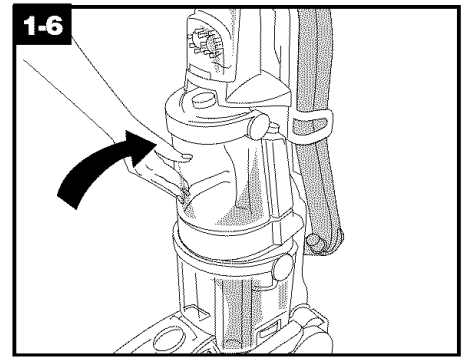


With cord hook (D) to back of cleaner, push upper handle down onto lower handle.

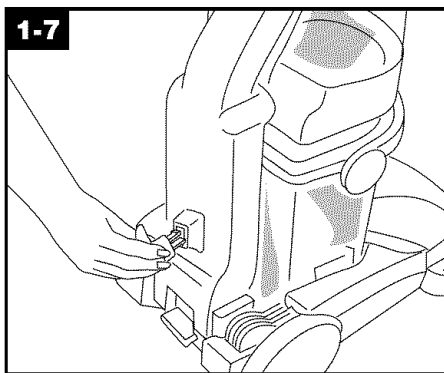


Push **bolts** into holes on **front of handle**. If **bolts will not go through hole easily, handle is not pushed completely down**. Place **nuts** in recessed areas on **back of the handle**. Hold each nut in place while tightening each bolt securely (from the front of the handle) with a Phillips screw driver.

Only two nuts are needed on this model. The extra nut is not required but has been provided for your convenience.



Replace clean water tank (upper tank) by positioning bottom first. Press tank into place.

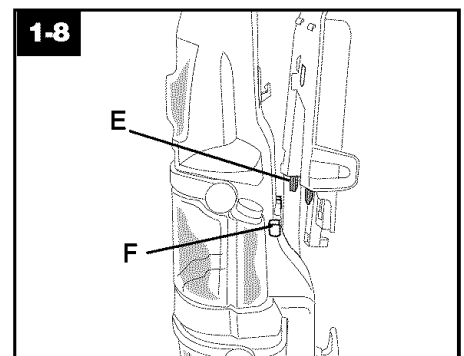


Attach hose/cord hook

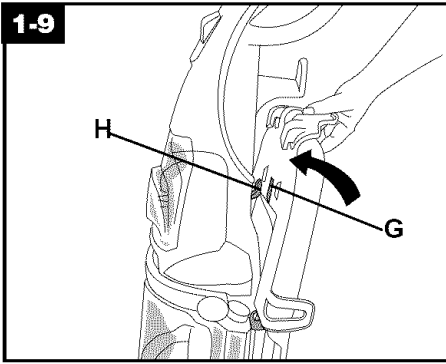
Insert tabs on hook into slots on back of cleaner. Snap hook onto cleaner.

Attach hose/tool caddy

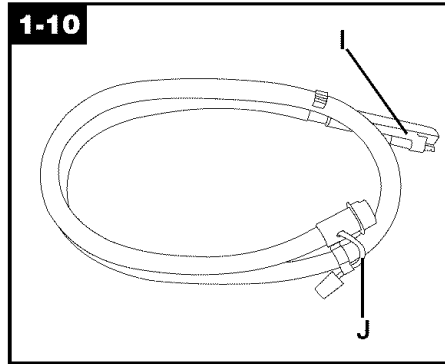
The hose/tool caddy is designed to be used either on the cleaner for easy access to the tools and hose, or if the tools are not going to be used, it can be removed and hung for storage. If you do not want to attach the caddy to the cleaner at this time, proceed to Fig. 1-10 for proper hose placement on the caddy.



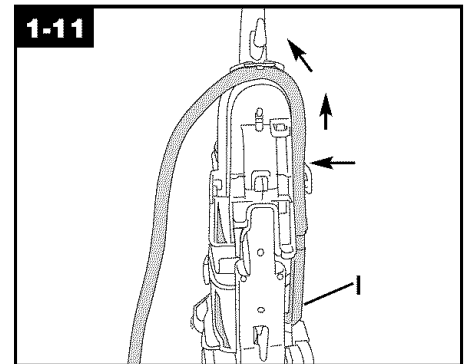
Slide tabs (E) on caddy into slots (F) on back of cleaner.



Rotate top of caddy toward cleaner handle. Slide caddy down so notch (G) on caddy rests in hook (H) on cleaner.

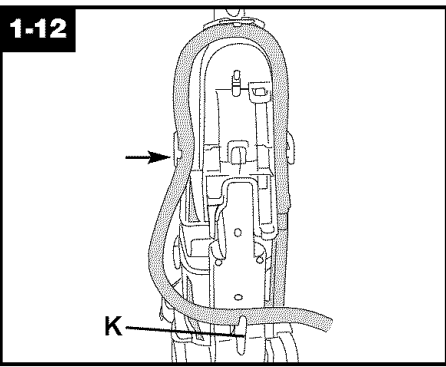


Identify the hose parts before storing hose.
I. Nozzle connector end
J. Solution tube

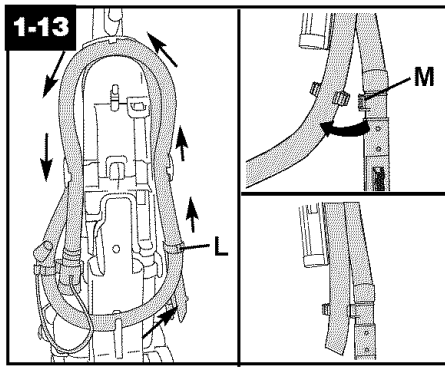


Storing hose and tools

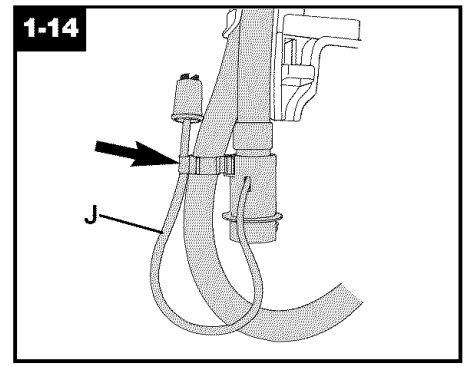
Press hose, a few inches from nozzle connector end (I), into caddy. Bring hose up and over top of caddy.



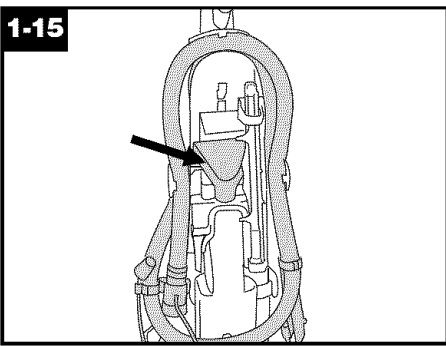
Press hose into opposite side of caddy. Loop hose at bottom of cleaner and press into top of hook (K).



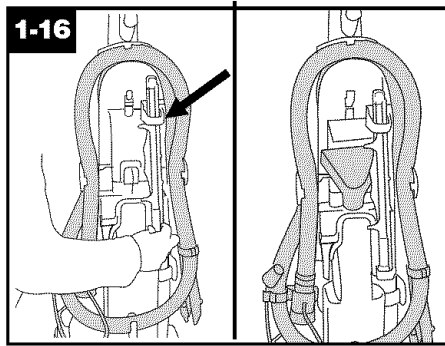
Loop hose over top of caddy again. Slide hose clip (L) toward end of hose. Snap tab (M) on hose connector into hose clip.



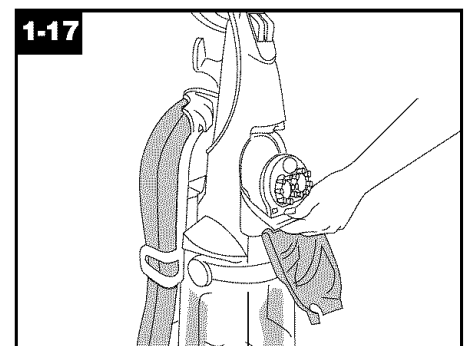
Repeat on other end of hose. Press solution tube (J) into opposite side of clip.



Snap stair/upholstery nozzle onto caddy.



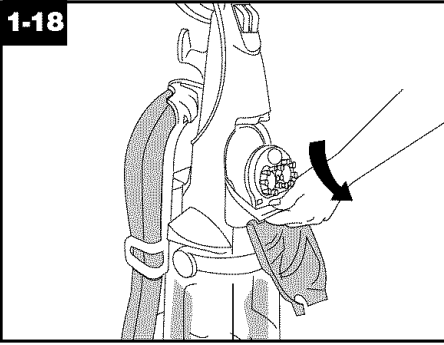
Insert top of hard floor squeegee through "loop" on caddy. Slide tool down into place.



SpinScrub™ hand tool

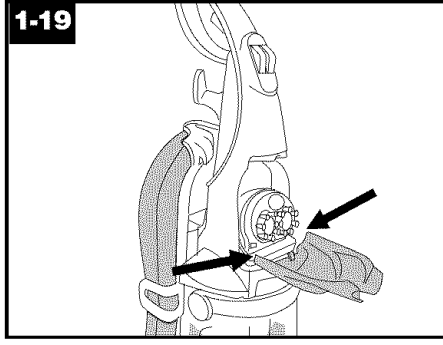
The SpinScrub™ hand tool is shipped in a plastic bag for protection. To remove the bag before using the tool, open tool door.

1-18



Pull tool down and outward.
To reposition the tool, reverse this procedure.

1-19



How to reattach tool cover

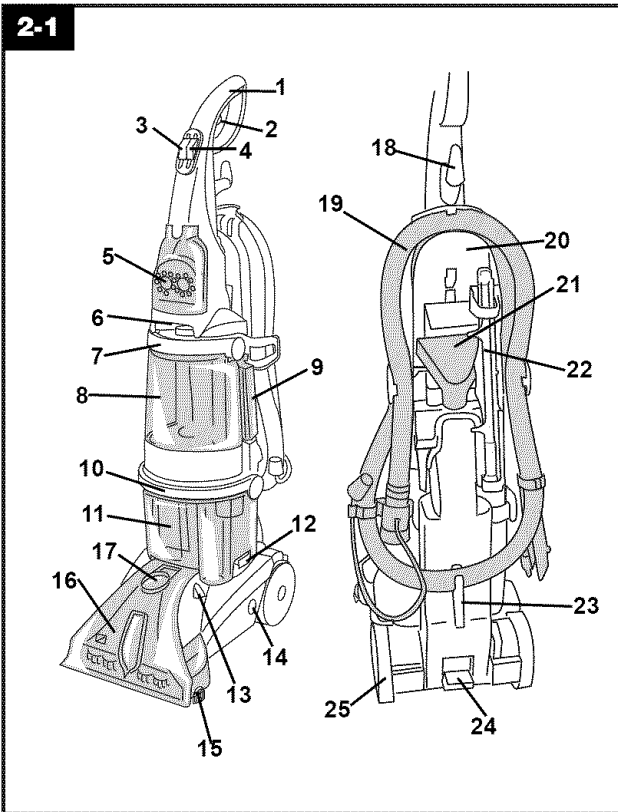
The tool cover is designed with a break-away feature which allows it to snap free if it is pushed open too far.

To reattach, align hinges of cover with holes on sides of tool storage area.
Snap door into place.

2. How to use

Cleaner description

2-1



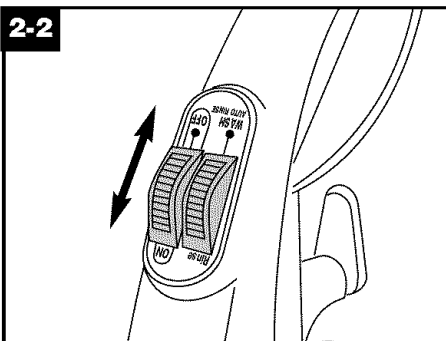
The assembled cleaner will look like the drawing.

1. Hand grip
2. Solution trigger: press to release cleaning solution
3. ON/OFF switch
4. Rinse Setting switch
5. SpinScrub™ hand tool
6. Carrying handle
7. Clean water tank handle
8. Clean water tank
9. Detergent container
10. Recovery tank handle
11. Recovery tank: holds dirty solution
12. Recovery tank latches
13. SpinScrub mode selector
14. Solution tube connection port
15. Edge cleaners: provided on both sides of nozzle to remove dirt near baseboards
16. Nozzle
17. Hose connection port
18. Cord hook: rotates for quick cord release
19. Hose
20. Hose/tool caddy
21. Stair/upholstery nozzle
22. Hard floor squeegee
23. Cord/hose hook
24. Handle release pedal
25. Soft wheels

This cleaner is intended for household use.

Operate cleaner only at voltage specified on data plate on back of cleaner. Plug cleaner into a properly grounded outlet.

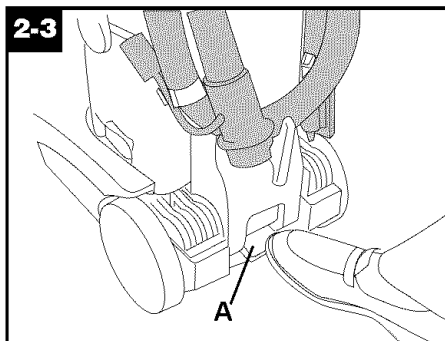
2-2



ON/OFF switch

To turn cleaner ON, push switch down.
To turn cleaner OFF, push switch up.

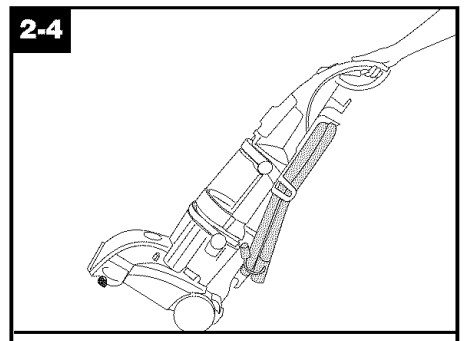
2-3



Handle release pedal

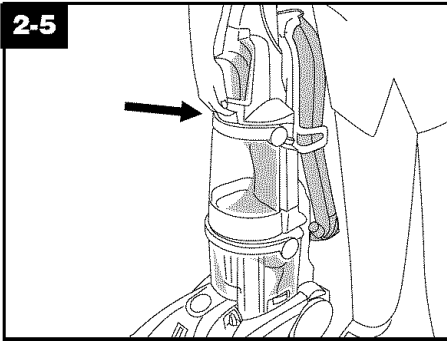
Step on pedal (A) to lower handle to operating position. Handle does not lock into a single position but “floats” to allow convenient operation.

2-4



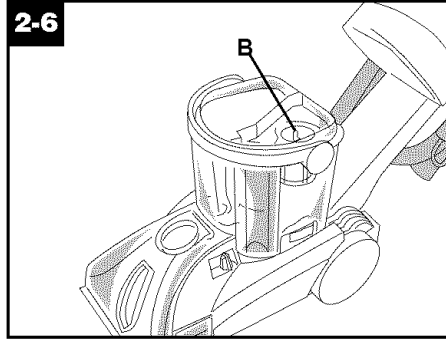
To transport

To move your cleaner from room to room, put handle in upright and locked position, tilt cleaner back on wheels and push forward.



Carrying handle

The cleaner may also be lifted by placing a hand above the upper clean solution tank handle as shown.



Automatic shut off

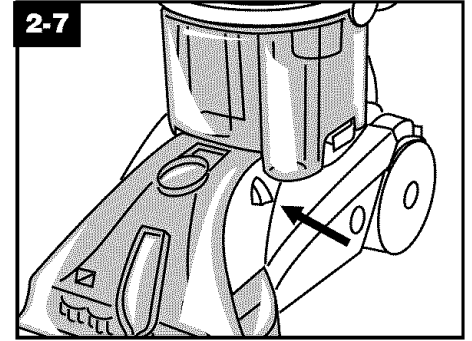
When the recovery tank (lower tank) is full the automatic shutoff mechanism will shut off the cleaner suction (**suction will be noticeably reduced**).

At that time, the yellow float disk will rise to the top of the recovery tank lid (B). The cleaner will no longer pick up dirty solution and the **motor sound will become noticeably higher in pitch**.

When this happens, turn cleaner off and empty recovery tank before continuing use.

Check clean water tank also; it may need to be refilled.

Do not use without float and float retainer in place. If broken or dislodged, take to an Authorized Hoover Service Center or Dealer for repair.



SpinScrub mode selector

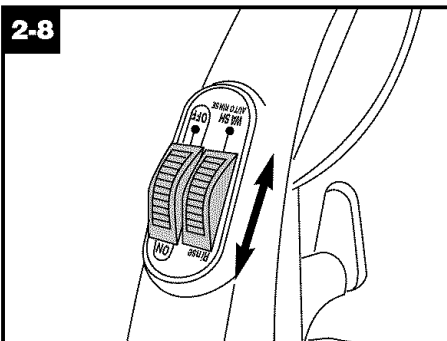
Your SteamVac™ cleaner has three agitator brush settings.

SPILL PICK-UP - brushes OFF for picking up spills or cleaning carpets and bare floors when brushing is not desired.

HARD TERRAIN - for cleaning ceramic tile, linoleum and sealed wood floors. The brushes will rotate at a slower speed.

CARPET TERRAIN - brushes at maximum speed for cleaning carpets

Slide selector button to the desired setting before cleaning.



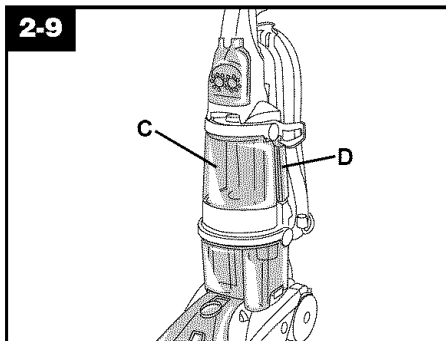
Rinse Setting switch

Use this switch to select a wash with rinse setting or a rinse only setting.

WASH-AutoRinse - This setting cleans your carpet with detergent and water on the forward stroke. On the reverse stroke, a water-only rinse is applied automatically.

RINSE - This setting applies water-only rinse in both the forward and reverse strokes.

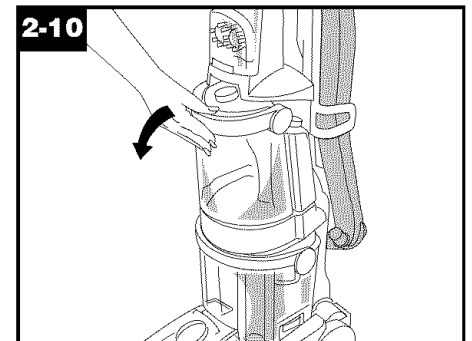
See "How to clean" section for more details.



The tanks Clean water tank (upper tank)

The clean water tank (C) holds the water that will either be mixed with detergent for cleaning the carpet or floor, or used to rinse the carpet or floor.

The detergent container (D) is permanently attached to the water tank. It holds the detergent that mixes with the water.



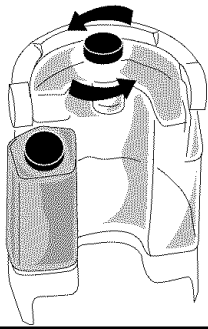
How to fill

Unplug carpet cleaner from electrical outlet.

Place cleaner handle in the upright, locked position.

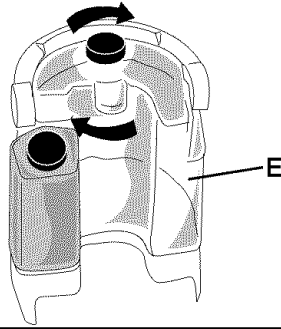
To remove tank, press down on tank handle and pull forward.

2-11



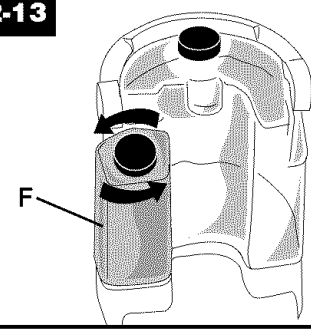
Carry tank to a sink.
Turn tank cap counterclockwise and remove cap.

2-12



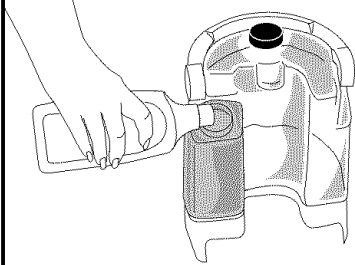
Fill tank (E) (1 gallon) with hot tap water.
CAUTION: Do not fill with water above 140°F (60°C).
Replace tank cap and tighten.

2-13



To fill detergent container (F), turn cap counterclockwise and remove cap.
DO NOT REMOVE detergent container from tank.

2-14



Fill container (16 oz.) with HOOVER Carpet/Upholstery Detergent or HOOVER Hard Floor Cleaning Solution. Do not use Hard Floor Cleaning Solution on carpet or upholstery. **Do not use any type of wax with your SteamVac™ cleaner.**

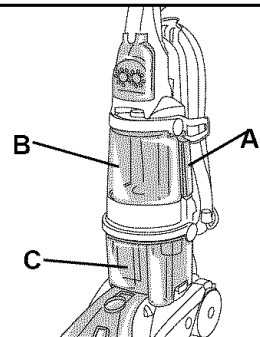
To assure proper results, **use only HOOVER detergent.**

Replace container cap and tighten.

NOTE: Use only HOOVER detergents. They are specially formulated for use with your SteamVac™ cleaner.

CAUTION: Detergents contain Anionic and Nonionic Surfactants. Avoid contact with eyes and skin. In case of contact with eyes, flush with cold water for 15 minutes. In case of contact with skin, wash with water. If irritation persists, call a physician.

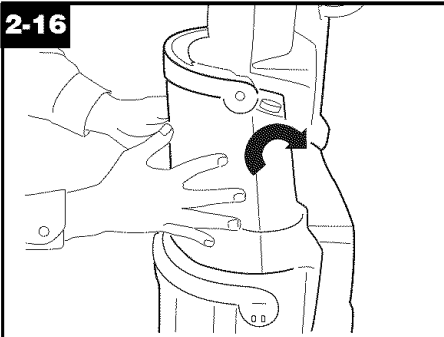
2-15



WARNING: Certain oxygenated-type cleaners, such as OxiClean* and TuffOxi will damage your SteamVac™ detergent container (A), clean water tank (B) or recovery tank (C). Use only HOOVER SteamVac™ Oxy detergent for this purpose.**

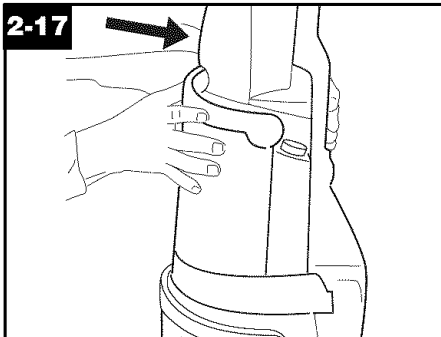
*OxiClean is a registered trademark of Orange Glo International, Inc.
**TuffOxi is a trademark of Tuff Products for Pets

2-16



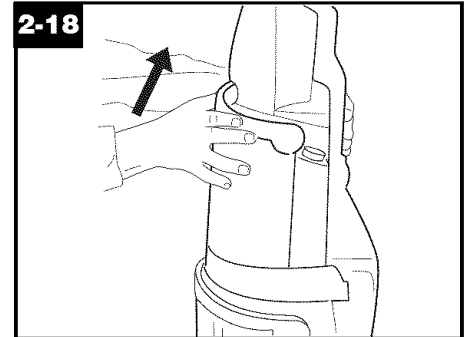
Position bottom of tank onto cleaner using one hand on each side of the tank to center it on the unit.
NOTE: the tank pivots towards the back of the unit.

2-17

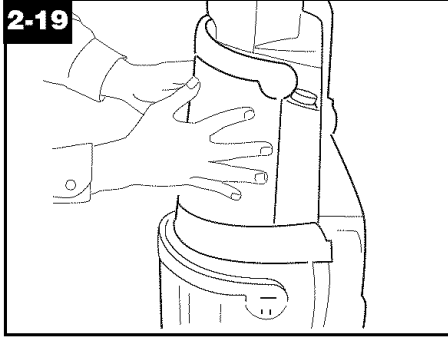


Push the top of the tank **and tank handle** while supporting the back of the unit with your other hand.

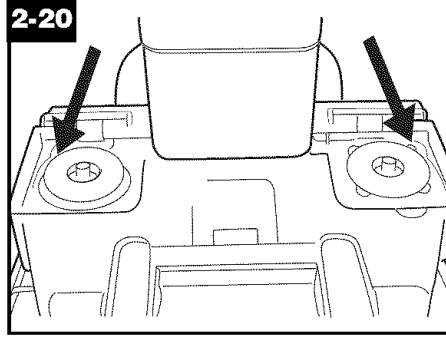
2-18



Push up on the handle once the tank is back to latch it to the unit.



Check tank to make sure it is securely latched.



NOTE: There may be a small amount of water (indicated by arrows) on the base when the tank is removed from the unit. This is a normal condition.

Recovery tank (lower tank)

The recovery tank holds the dirty solution that is picked up from the surface being cleaned.

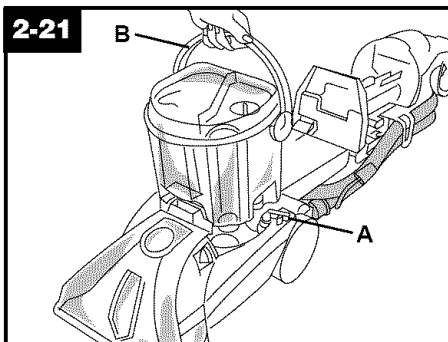
When the recovery tank is full, the automatic shut-off will engage, suction will stop (see page 8), and the tank must be emptied.

How to empty

Turn cleaner off and unplug from electrical outlet.

To prevent possible leaking, remove clean water tank (Fig. 2-10) by pressing down on tank handle and pulling forward; set tank aside (**do not set tank on furniture**).

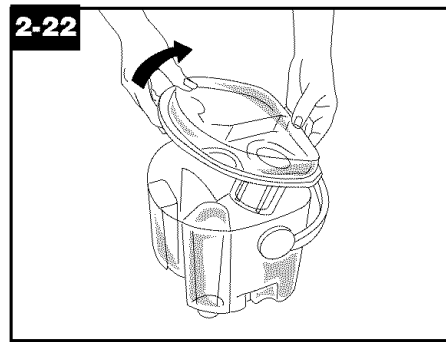
Step on handle release pedal (Fig. 2-3) and lower handle until it rests on the floor.



Turn recovery tank latches (A) outward (one on each side of tank).

Raise handle (B) straight up and lift tank off cleaner.

Carry tank to sink or drain.



Lower handle toward back of tank to unlock lid. Lift lid off tank. Empty tank and reposition lid.

For full suction, it is important that the recovery tank lid is properly secured before cleaning.

Raise tank handle to carrying position and place it onto cleaner. Lower handle to front of tank.

Turn latches (one on each side of tank) inward to lock tank in place.

Raise handle of cleaner to upright position and reposition upper clean water tank.

3. How to clean

Before you begin cleaning

a. Vacuum thoroughly - For carpet, use a HOOVER vacuum cleaner with an agitator for best results. Vacuum upholstery with a vacuum cleaner with cleaning tool attachments. Use a crevice tool to reach into tufts and folds. **Do not use the SteamVac™ cleaner as a dry vacuum cleaner.**

b. For upholstery, check cleaning code - Use your HOOVER SteamVac™ cleaner only if the upholstery fabric is marked with a "W" (for "wet" clean) or "S/W" (for "solvent/dry" or "wet" clean). **Do not clean fabric marked "S" ("solvent/dry" clean only).** If your upholstery does not have a code, seek professional assistance.

c. Test for colorfastness - Wet a white absorbent cloth with the detergent. In a small, hidden area, gently rub the surface with the dampened cloth. Wait ten minutes and check for color removal or bleed with white paper towel or cloth. If surface has more than one color, check all colors.

d. When cleaning entire floor, move furniture out of area to be cleaned (may not be necessary if only high traffic areas are to be cleaned). For furniture too heavy to move, place aluminum foil or wax paper under legs. This will prevent wood finishes from staining carpet. Pin up furniture skirts and draperies.

e. Pretreat spots and heavy traffic areas with HOOVER® Spot & Stain Spray Cleaner* - Test Spot & Stain Spray Cleaner for colorfastness by first spraying it on a hidden area; wait ten minutes and blot with white paper towels or cloth.

If no color change is visible, spray Spot & Stain Spray Cleaner onto spots and traffic

areas. Wait at least ten minutes. Use your SteamVac™ cleaner to pick up Spot & Stain Spray Cleaner and spot. Repeat until spot is removed; carefully scrub with a household scrub brush if necessary.

Do not saturate carpet or upholstery with Spot & Stain Spray Cleaner.

No cleaning solution removes all stains from all carpets. Stain removal varies with the type of spill, time elapsed before removal, carpet material, and carpet type.

f. To prevent staining, use plastic or aluminum foil to protect wood or metal surfaces from possible water spray.

g. To avoid wetting and possible damage to wood floors underneath area rugs/carpet, either move area rugs/carpet to a non-wood bare floor surface or place waterproof

material (e.g. plastic) underneath them before cleaning.

See pages 12-15 for instructions on various cleaning tasks.

h. Choose the proper brush assembly for the cleaning task. The brush assembly with the green, shorter bristles is for carpets and rugs; the assembly with the white, longer bristles is for hard floor surfaces.

*Available at additional cost if not included with your model.

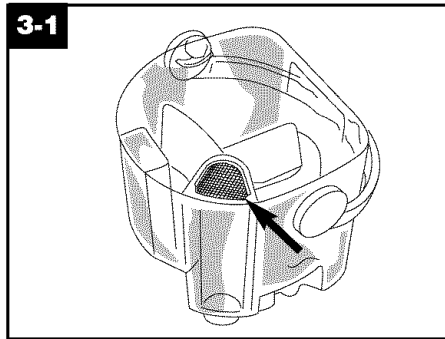
After cleaning

a. Allow carpet or upholstery to dry. To help prevent matting and resoiling the carpet, keep children and pets away from surface until it is **completely dry**. If it is necessary to walk on damp carpet, place towels or white cloths on the traffic areas.

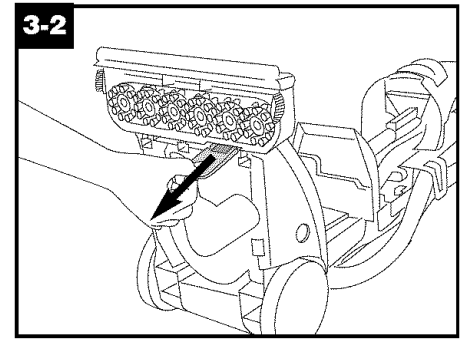
If furniture must be replaced before the carpet is dry, place plastic or aluminum foil under legs of furniture so metal slides or wood finishes will not stain the carpet.

b. Empty tanks, rinse with clear water and let air dry. Rinse the recovery tank lid and let air dry.

Any unused detergent may be left in the detergent container for future use.



c. Remove lint from filter screen located inside recovery tank.



d. Remove lint from filter screen located on bottom of cleaner as follows.
Note: When brushes seem to be rotating slowly, disconnect cleaner from electrical outlet and check and clean this screen.

Remove both tanks as described in Figs. 2-10 & 2-21. Tilt cleaner back so handle rests on floor.

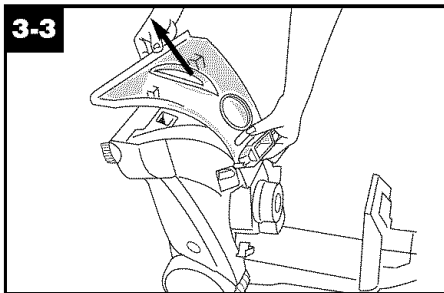
Squeeze filter frame, lift and pull it out. Wipe off screen and push frame back into place.

Return cleaner to upright position.

e. Vacuum thoroughly **after carpet has completely dried**. This will help reduce any shading left by the cleaner's brushes.

To clean nozzle

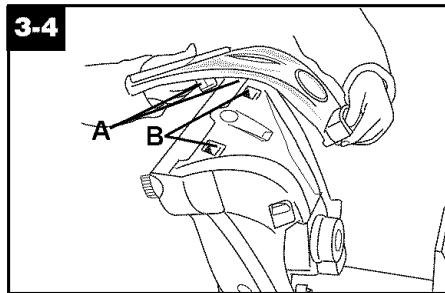
If lint or other debris becomes lodged in nozzle, it can be removed for cleaning.



Unplug cleaner from electrical outlet.

Remove both tanks as described in Figs. 2-10 & 2-21. With handle in upright position, tilt cleaner back so that handle rests on the floor.

Lift up rear edge of nozzle. Slide nozzle up and remove from cleaner.



To replace nozzle, line up tabs (A) on nozzle with holes (B) in cleaner. Slide tabs into holes.

Slide nozzle completely onto cleaner. Press down on nozzle to secure it.

Replace recovery tank (Fig. 2-22).

The nozzle must be in the proper position in order for the recovery tank to go on properly.

Raise cleaner to upright position and replace clean water tank (Fig. 2-16 to 2-19).

Carpet Cleaning

Read “Before you begin cleaning” instructions on page 10.

1. For carpets and rugs, attach the brush assembly with the green, shorter bristles. (Refer to **Maintenance** section, **Removable brushes** for attaching and removing brush assemblies.) **Do not use hard floor brush assembly when cleaning carpet.**

2. Fill clean water tank according to instructions for Figs. 2-9 to 2-12.

3. Fill detergent container with HOOVER Carpet/Upholstery Detergent according to instructions for Figs. 2-13 to 2-14.

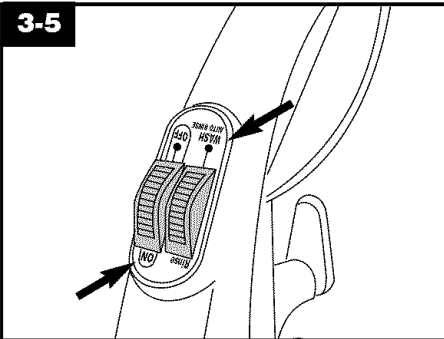
4. Set SpinScrub mode selector to **CARPET TERRAIN**.

5. Dry hands and plug cord into a **properly grounded outlet**.

Do not clean over floor electrical outlets.

6. To avoid walking on damp carpet, start at the end of the room farthest from the door or path to sink where tanks will be emptied and filled.

Step on handle release pedal and lower handle to operating position.

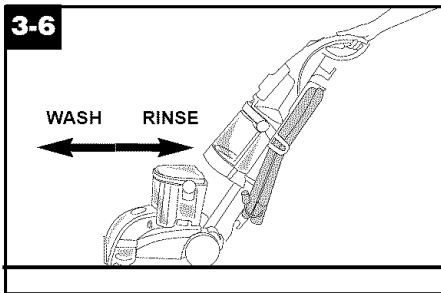


7. Set Rinse Setting switch to **WASH-AutoRinse**. Turn cleaner ON (Fig. 3-5).

8. Squeeze trigger to release cleaning solution and **slowly** push cleaner forward (equals one wet stroke).

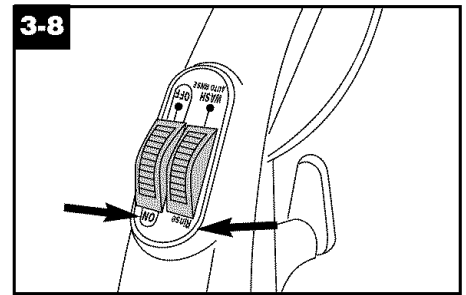
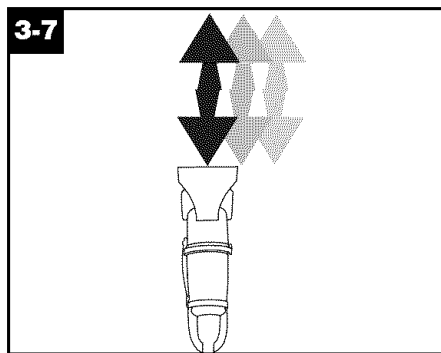
9. Continue to squeeze trigger and **slowly** pull cleaner back toward you (second wet stroke). The cleaner rinses the carpet on the backward pass. **Note: To assure proper rinsing, it is important to keep the cleaner on the same path backward as forward.**

10. Release trigger and slowly push cleaner forward over area just sprayed with solution (dry stroke). Then **slowly** pull cleaner back toward you without squeezing trigger (dry stroke). Continue using dry strokes until little water is visible passing through the recovery tank lid.



11. For best results, use straight, parallel strokes as shown in the diagram below. Overlap strokes by 1 inch to help prevent streaking.

Keep nozzle flat on floor for both forward and reverse strokes.



12. If you would like to rinse the carpet with water only, set Rinse Setting switch to **RINSE** (Fig. 3-8). Repeat steps 8-10. In this setting, rinsing will be done on both forward and reverse strokes.

Rinsing is not necessary, but will help remove detergent residue and help your carpet look fresher.

13. For heavily soiled areas, repeat steps 7-10. Avoid saturating carpet, as noted below.

Note: To avoid saturating carpet, do not use more than 4 wet strokes over one area. Always end with dry strokes.

It is best to alternate wet and dry strokes as described above.

For best cleaning results and to aid in faster drying of carpet, end with more dry strokes. (Continue using dry strokes until little water is visible passing through the recovery tank lid.)

14. Empty recovery tank when the motor sound becomes higher pitched and there is a loss in suction (see “Automatic shut-off”, Fig. 2-6).

When finished cleaning, follow “After cleaning” instructions on page 11.

Cleaning hard floors

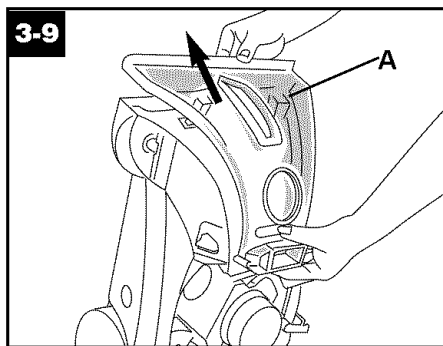
How to attach hard floor brushes and squeegee

Unplug cleaner from electrical outlet.

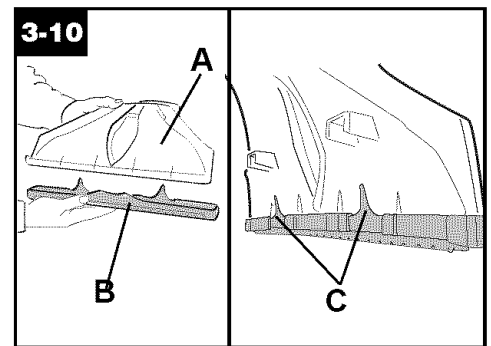
To prevent possible leaking, remove clean water tank (Fig. 2-10) and recovery tank (Fig. 2-21). Set tanks aside (do not set tank on furniture).

1. With handle in upright position, tilt cleaner back so that handle rests on the floor.

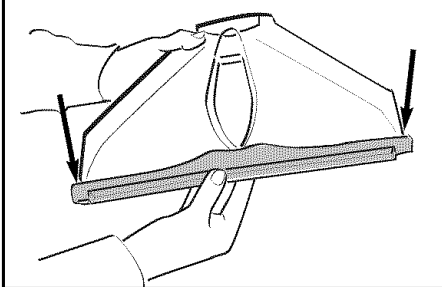
2. Remove brush assembly with **green** bristles. Attach hard floor brush assembly, with the **white** bristles. (Refer to Maintenance section, Removable brushes, for attaching and removing brush assemblies.)



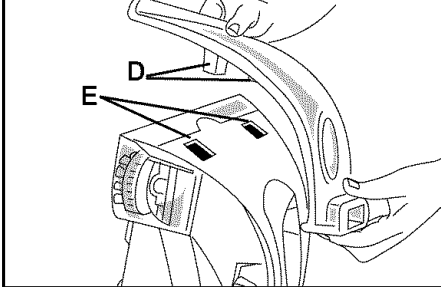
3. Lift up rear edge of nozzle (A). Slide nozzle up and remove from cleaner.



4. Position the bottom of the nozzle (A) inside the squeegee (B), with the tabs (C) on the squeegee behind the nozzle as shown.

3-11

5. Rotate the squeegee back until secure, making sure the outside edges are pushed up tight against the nozzle.

3-12

To replace nozzle, line up tabs (D) on nozzle with holes (E) in cleaner. Slide tabs into holes.

Slide nozzle completely onto cleaner. Press down on nozzle to secure it.

Replace recovery tank (Fig. 2-22).

The nozzle must be in the proper position in order for the recovery tank to go on properly.

Raise cleaner to upright position and replace clean water tank (Figs. 2-16 through 2-19).

To clean floor

Read “Before you begin cleaning” instructions on page 10.

CAUTION: To prevent damage to wood floors, follow the flooring manufacturer’s cleaning recommendations.

If using cleaner on sealed wood floors, inspect floor surface for worn finish, bare wood or separated joints. It is not recommended to use the cleaner on wood floors if any of these conditions exist.

1. Fill clean water tank according to instructions for Figs. 2-9 to 2-12.
2. Fill detergent container with HOOVER Hard Floor Cleaning Solution according to instructions for Figs. 2-13 to 2-14.

3. Slide SpinScrub mode selector to HARD TERRAIN.

4. Dry hands and **plug cleaner into a properly grounded outlet.**

5. Step on handle release pedal and lower handle to operating position.

6. Set Rinse Setting switch to **WASH-AutoRinse**. Turn cleaner ON.

7. To release solution, press trigger. Slowly move cleaner forward and backward over area to be cleaned. Water and detergent will be released on the forward stroke. A water-only rinse will automatically be released on the reverse stroke.

8. To pick up dirty solution, release trigger and slowly move cleaner over area where solution has just been dispersed. Use both forward and reverse strokes.

9. If rinsing the floor is desired, set Rinse Setting switch to **RINSE**. Repeat steps 7 & 8. This setting provides a water-only rinse in both the forward and reverse strokes.

Rinsing is not necessary, but will help remove detergent residue from the floor.

10. Empty recovery tank when the motor sound becomes higher pitched and there is a loss in suction (see “Automatic shut-off”, Fig. 2-6).

11. When finished cleaning, follow “After cleaning” instructions on page 11.

Unplug cleaner from electrical outlet and remove squeegee from nozzle. Rinse it in clear water.

Picking up spills

Your HOOVER SteamVac™ cleaner may also be used to pick up small liquid spills on carpet, upholstery, or bare floors.

For best results, pick up spills immediately by placing the stair/upholstery nozzle just above the spill and suction up any residue on top of the carpet. If the spill remains, place either the stair/upholstery nozzle or floor nozzle with the SpinScrub mode selector to **SPILL PICK-UP** in front of the spill, pull the nozzle very slowly over the spill initially with suction only. Repeat with spray and suction.

When picking up spills on bare floors, use only the floor nozzle with the hard floor squeegee attachment in place (see “Cleaning hard floors”, Figs. 3-9 through 3-12). Slide the SpinScrub mode selector to **SPILL PICK-UP**.

If a spot is left, the stair/upholstery nozzle is generally more effective for removing it. Although no cleaning solution can completely remove all spots, they can be treated by following the instructions provided by the manufacturer of the carpet, upholstery, or hard floor surface being cleaned.

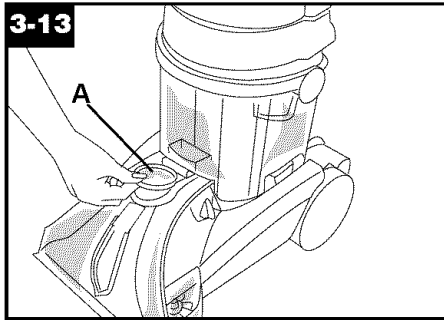
Do not use the SteamVac™ cleaner to pick up flammable or combustible liquids or chemicals.

When finished, follow “After cleaning” instructions.

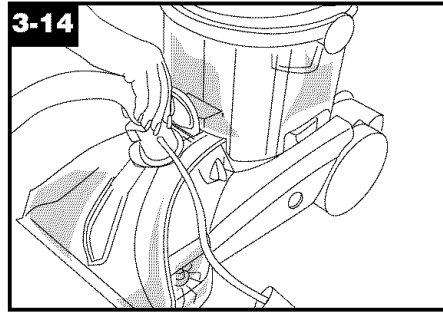
Using the tools

Attach hose

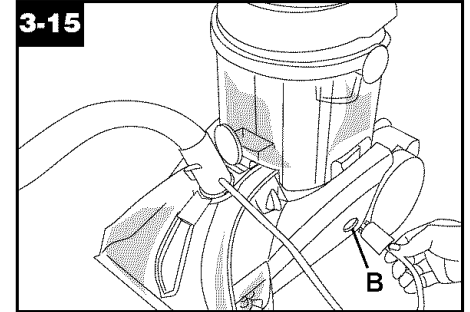
Unplug cleaner from electrical outlet.



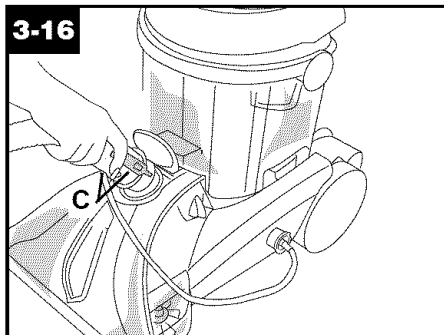
Open hose connection port (A).



Insert short hose end, matching tabs on hose with same-sized slots in port. Push hose into port and lock in place.



Plug solution tube firmly into solution connection port (B).

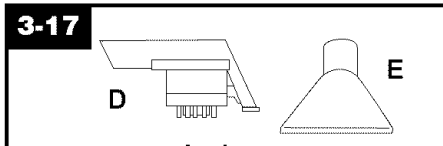


To remove hose: Squeeze latches (C) on top and bottom of hose. Remove hose from port. Close door.

Remove solution tube from solution connection port.

Select tool

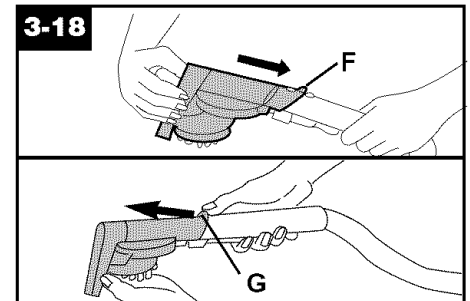
Your model includes the following tools.



D. SpinScrub™ hand tool has rotating brushes for extra scrubbing action on small carpet areas, carpeted stairs and upholstery.

E. Stair/upholstery nozzle has a built-in brush to help provide the scrubbing action some spots may need for removal.

How to attach tools



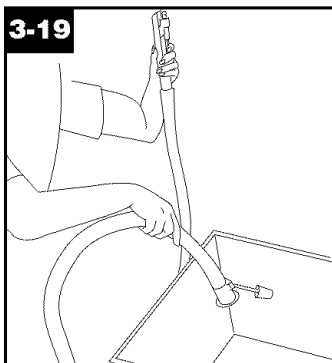
Unplug cleaner from electrical outlet.

1. Place handle in upright position and remove hose from rack. All tools attach to the hose in the same manner:
2. Connect tool to hose by sliding it onto connector until the tab (F) locks it securely.

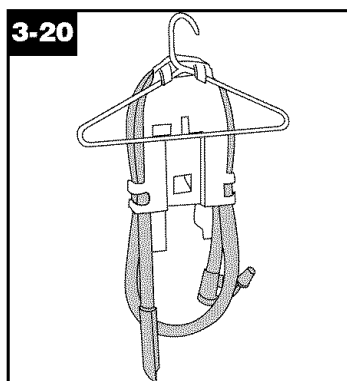
Using your thumb, **push forward and up** on the **latch (G)** to remove tool.

After using tool

Drain suction hose by turning cleaner ON and holding nozzle up for several minutes. **Do not press trigger.** **Unplug cleaner from electrical outlet.** **Disconnect hose and solution tube from cleaner.**



Drain solution tube by placing round end in sink and raising nozzle above your head. Press the trigger.



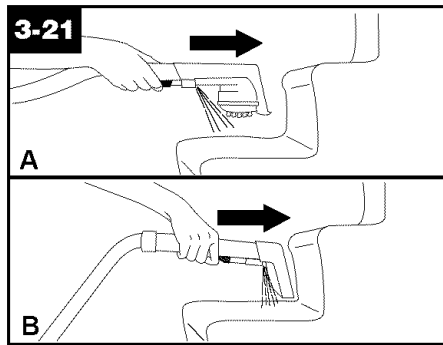
The tool caddy can be removed and hung on a coat hanger for storage.

Cleaning carpeted stairs

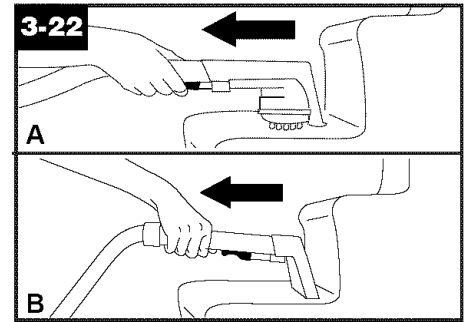
Read "Before you begin cleaning" instructions on page 10.

1. Attach hose and solution tube as instructed in Figs. 3-12 to 3-14.
2. Place handle in upright position. **Agitator brushes will not rotate while handle is in upright position.**
3. Fill clean water tank according to instructions for Figs. 2-9 to 2-12.
4. Fill detergent container with HOOVER Carpet/Upholstery Detergent according to instructions for Figs 2-13 to 2-15.
5. Attach tool to end of hose.
6. Hose length may require that machine be placed at the top of the stairs to clean upper half of stairway and at bottom of stairs to clean lower half.
7. Dry hands and plug cleaner into a **properly grounded outlet.**
8. Set Rinse Setting switch to **WASH-AutoRinse**. Turn cleaner ON.

Note: "Auto-rinse" and rinse are not available during tool use. The hose will only dispense water mixed with detergent.



9. Pre-spray the carpeted stair by holding the tool (A) or (B) about one inch above the carpet and push it forward while pressing the trigger (equals one wet stroke).
10. Position tool against the riser and slightly press it into carpet pile. Press the trigger and pull the tool **slowly** over the carpet (second wet stroke). Release trigger at end of stroke.



11. Lift tool, and position it against riser. Pull tool **slowly** over carpet without pressing trigger (dry stroke).
 12. Overlap strokes by 1/2 inch to help prevent streaking.
- It is best to alternate wet and dry strokes as described above. End with more dry strokes to aid in faster drying of carpet.

To avoid saturating carpet, do not use more than 4 wet strokes over any one area. Always end with dry strokes.

If additional cleaning is necessary, wait until the carpet is completely dry before using the tool again.

13. Empty recovery tank when the motor sound becomes higher pitched and there is a loss in suction (see "Automatic shut-off", Fig. 2-6).

When finished cleaning, follow "After cleaning" instructions on page 11 and "After using tool" instructions on page 14.

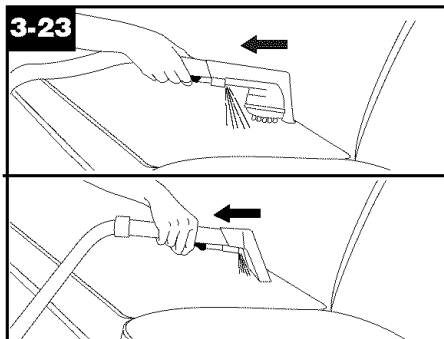
Cleaning upholstery

Read "Before you begin cleaning" instructions on page 10.

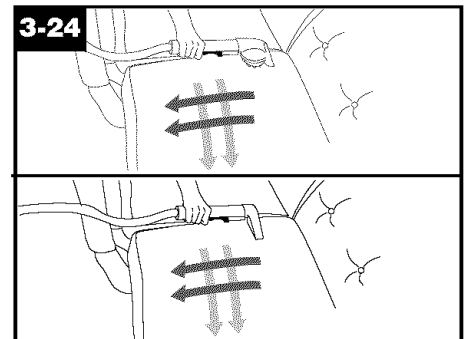
Be sure to check the cleaning code on your upholstery. **Use your cleaner only on upholstery marked "W" or "W/S".**

1. Attach hose and solution tube as instructed in Figs. 3-13 to 3-16.
2. Place handle in upright position. **Agitator brushes will not rotate while handle is in upright position.**
3. Fill clean water tank according to instructions for Figs. 2-9 to 2-12.
4. Fill detergent container with HOOVER Carpet/Upholstery Detergent according to instructions for Figs. 2-13 to 2-15. **Do not use hard floor cleaning solution when cleaning upholstery.**
5. Attach tool to end of hose.
6. Dry hands and plug carpet cleaner into a **properly grounded outlet.**
7. Set Rinse Setting switch to **WASH-AutoRinse**. Turn cleaner ON.

Note: "Auto-rinse" and rinse are not available during tool use. The hose will only dispense water mixed with detergent.



8. Gently press the tool onto the fabric. Press the trigger and slowly pull the nozzle over the fabric.
 9. Overlap strokes by 1/2 inch to help prevent streaking.
- Make additional strokes without pressing the trigger to remove more moisture.
10. To clean in corners or creases, lift the tool one-half inch from the fabric and press the solution trigger.
 11. Vacuum up the solution with the tool without pressing the trigger.
 12. For heavily soiled areas, it may be necessary to repeat the cleaning process. Make crisscrossing strokes to the original pattern; overlap each pass (Fig. 3-24).



Make no more than 2 passes with the solution or rinse over any one area to prevent over-wetting and damage to fabric.

If additional cleaning is necessary, wait until the upholstery is completely dry before using the tool again.

13. Empty recovery tank when the motor sound becomes higher pitched and there is a loss in suction (see "Automatic shut-off", Fig. 2-6).

When finished cleaning, follow "After cleaning" instructions on pages 11 & 12 and "After using tool" instructions on page 14.

4. Maintenance

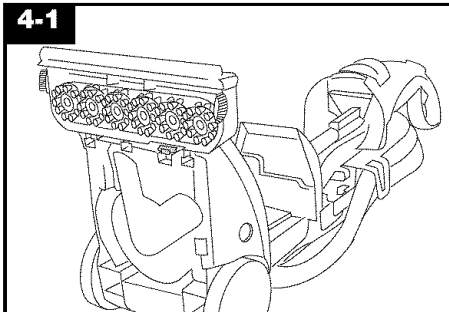
Removable brushes

Your cleaner is equipped with removable brushes. Follow these directions for changing brush assemblies or for easy cleaning.

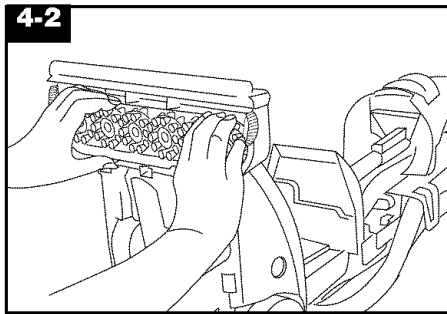
To remove brushes

Disconnect cleaner from electrical outlet.

To prevent possible leaking, remove clean water tank and recovery tank. Set tanks aside.

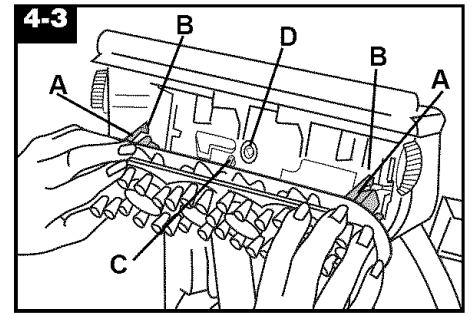


With handle in upright position, tilt cleaner back until handle rests on the floor.



Grab brush assembly and pull firmly.

The brushes can be cleaned under running water.



To replace brushes

Align posts (A) on both ends of brush assembly with slots (B) in cleaner housing.

Make sure that the square post (C) also aligns with the square hole (D). Turn brushes slightly until post fits easily into hole.

Press brush assembly firmly to snap into place.

Storage

Before storing:

- Empty clean water tank and let air dry. Replace on cleaner.
- Unused detergent can be stored in the detergent container.
- Empty recovery tank, rinse tank and lid thoroughly with clean water and let air dry.

Allow brushes and underside of carpet cleaner to air dry thoroughly before storing cleaner on a carpeted or wood surface.

Do not store cleaner with a full clean water tank in place.

Lubrication

The motor is equipped with bearings which contain sufficient lubrication for the life of the motor. The addition of lubricant could cause damage. **Do not add lubricant to motor bearings.**

5. If you have a problem

If a minor problem occurs, it usually can be solved quite easily when the cause is found by using the check list below.

Problem: Machine won't run

Possible cause

Possible solution

- **Not firmly plugged in**
- *Plug unit in firmly*
- **No voltage in wall receptacle**
- *Check fuse or breaker*
- **Blown fuse/tripped breaker**
- *Replace fuse/reset breaker*

Problem: Low solution pick-up

Possible cause

Possible solution

- **Recovery tank full/automatic shut off engaged**
- *Remove and empty recovery tank*
- **Blockage in tool on end of hose**
- *Remove tool and clear blockage*
- **Recovery tank lid not on correctly**
- *Make sure lid is on securely*
- **Water tank empty, but detergent remains**
- *Fill water tank*

Problem: Clean water won't dispense

Possible cause

Possible solution

- **Clean water tank not firmly in place**
- *Make sure tank is securely locked in position*
- **Clean water tank or detergent container empty**
- *Refill container according to instructions for surface being cleaned*
- **Recovery tank lid not on correctly**
- *Make sure lid is firmly in place*

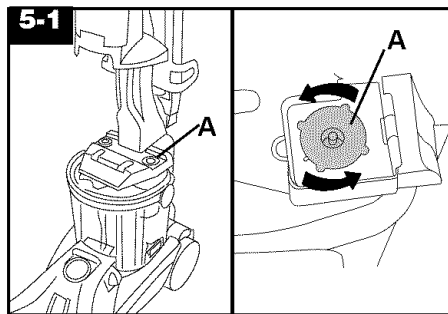
Problem: Detergent won't dispense

Possible cause

Possible solution

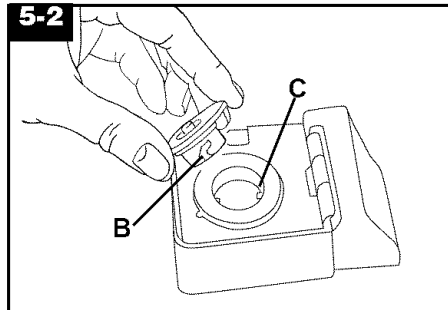
- **Valve cap clogged**
- *Remove and clean valve cap (see following instructions)*

1. Remove clean water tank.



2. Turn valve cap (A) counterclockwise and remove.

Soak valve cap in warm water for at least 15 minutes. Wipe cap dry.



3. Align slots (B) on cap with tabs (C) in opening.

Turn cap clockwise to tighten.

Problem: Brushes won't rotate during floor cleaning

Possible cause

Possible solution

- **Dirty filter screen on bottom of unit**
- *Clean screen as shown in Fig. 3-2*
- **SpinScrub mode selector on SPILL PICK-UP.**
- *Slide mode selector to HARD TERRAIN or CARPET TERRAIN.*
- **HARD TERRAIN setting and hard floor brushes used on carpet**
- *For CARPET cleaning, use carpet brush assembly (green bristles) and set SpinScrub mode selector to CARPET TERRAIN.*

Service

To obtain approved HOOVER service and genuine HOOVER parts, locate the nearest **Hoover Sales and Service Center or Authorized Hoover**

Warranty Service Dealer (Depot) by:

- checking the Service section of Hoover on-line at www.hoover.com OR
- checking the list of Sales and Service Centers provided with this cleaner OR
- checking the Yellow Pages under "Vacuum Cleaners - Household" OR
- calling **1-800-944-9200** for an automated referral of authorized service outlet locations (U.S. only).

Do not send your cleaner to Hoover in Newton, Iowa for service, this will only result in delay.

If further assistance is needed, contact the Hoover Consumer Response Center, Phone: 330-499-9499.

In Canada, contact Hoover Canada, Burlington, Ontario L7R 4A8, Phone: 1-800-263-6376.

Always identify your cleaner by the **complete** model number when requesting information or ordering parts. (The model number appears on the bottom of the cleaner.)

Full One Year Warranty (Domestic Use)

Your HOOVER® appliance is warranted in normal household use, in accordance with the Owner's Manual against original defects in material and workmanship for a period of one full year from date of purchase. This warranty provides, at no cost to you, all labor and parts to place this appliance in correct operating condition during the warranted period. This warranty applies when the appliance is purchased in the United States including its territories and possessions, or in Canada or from a U. S. Military Exchange. Appliances purchased elsewhere are covered by a limited one year warranty which covers the cost of parts only. This warranty does not apply if the appliance is used in a commercial or rental application.

This warranty only applies when the product is in use in the country or territory in which it is purchased.

Warranty service can only be obtained by presenting the appliance to one of the following authorized warranty service outlets. Proof of purchase will be required before service is rendered.

1. Hoover Sales and Service Centers.
2. Hoover Authorized Warranty Service Dealers (Depots).

**For an automated referral of authorized service outlets in the U.S.A.,
phone 1-800-944-9200 OR
visit Hoover on-line at
www.hoover.com**

This warranty does not cover pick up delivery, or house calls; however, if you mail your appliance to a Hoover Sales and Service Center for warranty service, transportation will be paid one way.

While this warranty gives you specific legal rights, you may also have other rights which vary from state to state.

If further assistance is needed, or if there are questions concerning this warranty or the availability of warranty service outlets, phone the Consumer Response Center, Phone 1-330-499-9499.

In Canada, contact Hoover Canada, Burlington, Ontario L7R 4A8, 1-800-263-6376.

HOOVER®

Limpiadora SteamVac™ All Terrain para alfombras y pisos de superficie dura con función AutoRinse™

La limpiadora fácil de
usar para alfombras y
pisos de superficie
dura

La limpiadora SteamVac™
All Terrain limpia las fibras
de las alfombras y los pisos
de superficie dura al aplicar
agua caliente de grifo y
solución de limpieza.

Manual del propietario

ESPAÑOL → p. 18-28

Contenido

| | |
|---|-------|
| Salvaguardias importantes | 18 |
| Piezas necesarias para el ensamblado | 19 |
| Ensamblado de la limpiadora | 19-20 |
| Descripción de la limpiadora | 20 |
| Funcionamiento general | 20-22 |
| Llenado del tanque para el agua limpia | 21 |
| Vaciado del tanque de recuperación | 22 |
| Selector de modo SpinScrub | 21 |
| Apagado automático | 21 |
| Cómo usar la limpiadora | |
| Antes de empezar | 22 |
| Después de haberla usado | 23 |
| Limpieza de alfombras | 23 |
| Limpieza de pisos expuestos | 24 |
| Uso de los accesorios | 24 |
| Limpieza de escaleras alfombradas | 25 |
| Limpieza de tapices | 25 |
| Mantenimiento | 26 |
| Para sacar las escobillas | 26 |
| Si tiene un problema | 26-27 |
| Lubricación | 26 |
| Servicio | 27 |
| Almacenamiento | 26 |
| Garantía | 28 |
| Formulario de pedido de piezas y accesorios por correo | 30 |



Anote y guarde

Anote los números COMPLETOS de modelo y serie en los espacios provistos y guárdelos.

Los número de modelo y de serie se encuentran en la parte inferior de la aspiradora.

No. de modelo _____

No. de serie _____

Consejo: Adjunte su recibo de compra a este manual del propietario. Para obtener el servicio de garantía de su producto HOOVER puede requerirse la verificación de la fecha de compra.

¡Salvaguardias importantes!

Al usar un aparato eléctrico, observe siempre las precauciones básicas, incluyendo las siguientes:

LEA TODAS LAS INSTRUCCIONES ANTES DE USAR EL ARTEFACTO.

ADVERTENCIA: Para reducir el riesgo de incendios, choques eléctricos o lesiones:

- Úselo sólo en el interior.
- Úselo solamente en superficies humedecidas por el proceso de limpieza. No lo sumerja.
- Conéctelo solamente a una toma de corriente eléctrica con adecuada conexión a tierra. Vea las instrucciones para conexión a tierra.
- No limpie sobre tomas de corriente eléctricas que estén en los pisos.
- No lo use sin que los tanques estén en su sitio.
- No llene con agua a más de 60°C (140°F).
- Cuando use productos químicos recomendados con esta máquina, cerciórese de que el área esté bien ventilada.
- Tenga especial cuidado al limpiar escaleras. No coloque la limpiadora en profundidad sobre los escalones.
- Use la limpiadora en profundidad solamente para lo que ha sido diseñada según se describe en las instrucciones.
- Use solamente los accesorios recomendados por Hoover; el uso de otros accesorios puede ser peligroso.
- No se recomienda el uso de cordones de extensión. Si es absolutamente indispensable usar un cordón de extensión, debe tener por lo menos 3 alambres de grosor 16 con enchufe de tres patillas con conexión a tierra y un receptáculo de 3 orificios que acepte el enchufe del artefacto.
- Desenchufe la limpiadora en profundidad cuando no esté en uso. Antes de desenchufarla, apague todos los controles.
- Desenchúfela antes de conectar el accesorio de mano turboaccionado.
- Desconecte siempre el cordón de la toma de corriente eléctrica antes de prestar servicio a la limpiadora en profundidad.
- No la desenchufe tirando del cordón. Para desenchufarla, sujete el enchufe y no el cordón.
- Nunca toque el enchufe ni el artefacto con las manos mojadas.
- No tire del cordón, no lo jale, ni tampoco lo use como mango, no cierre la puerta sobre el cordón ni tire del mismo alrededor de los bordes agudos ni las esquinas. No pase el artefacto sobre el cordón. Mantenga el cordón alejado de las superficies calientes.
- No use el artefacto si el cordón o el enchufe está dañado. Si el artefacto no está funcionando apropiadamente, se ha dejado caer, ha sido dañado, se ha dejado a la intemperie o se ha dejado caer en agua, llévelo a un Centro de ventas y de servicio de Hoover o al Concesionario autorizado de servicio de garantía de Hoover.
- Es necesaria una supervisión estricta cuando cualquier artefacto es utilizado por los niños o cerca de ellos. No permita que la limpiadora en profundidad se utilice como un juguete ni que funcione sin atención en ningún momento.
- No apunte los accesorios hacia personas o animales.
- Use solamente los limpiadores para SteamVac™ de Hoover que hay en el comercio y que se hayan diseñado para ser aplicados con máquinas. No use ningún tipo de cera con la limpiadora en profundidad.
- Mantenga los detergentes y otros limpiadores fuera del alcance de los niños.
- No lo use para recoger líquidos inflamables o combustibles, como gasolina, ni en áreas donde pueda haber dichos líquidos.
- No lo use para recoger lejía, líquidos para las tuberías, gasolina ni ningún otro material tóxico.
- No aspire nada que se esté quemando o echando humo, como cigarrillos, fósforos o cenizas calientes.
- Evite recoger objetos duros o afilados con la limpiadora en profundidad. Podrían dañar la limpiadora.
- Mantenga el cabello, la ropa holgada, los dedos, los pies y todas las partes del cuerpo alejados de las aberturas y las piezas en movimiento.
- No coloque ningún objeto en las aberturas. No lo use con ninguna abertura bloqueada; manténgala libre de polvo, pelusa, cabello o cualquier cosa que pueda reducir el flujo de aire.
- Evite el contacto con las alfombras hasta que estén secas, para evitar que queden opacas y se vuelvan a ensuciar. Mantenga a los niños y a los animales alejados de las alfombras hasta que estén completamente secas.
- Guárdelo en un lugar seco. No exponga la máquina a temperaturas de congelación.

¡Guarde estas instrucciones!

Use estas instrucciones en español junto con las figuras paso-a-paso provistas en el manual de inglés.

Gracias por haber elegido un producto HOOVER.

Si necesita **cualquier** asistencia:

Visite nuestro sitio de Internet www.hoover.com. Pulse el botón "Service" para encontrar el centro de servicio más cercano a usted. O llame al **1-800-944-9200** para obtener una referencia automatizada de las ubicaciones de los centros de servicio (solamente en EE.UU.) O llame al 1-330-499-9499 para hablar con un representante en nuestro Centro de Respuesta al Cliente.

POR FAVOR NO DEVUELVA ESTE PRODUCTO A LA TIENDA.

Instrucciones para conexión a tierra

Este artefacto debe tener conexión a tierra. Si llegara a funcionar mal o a descomponerse, la conexión a tierra da un camino de menor resistencia a la corriente eléctrica para reducir el riesgo de choque eléctrico. Este artefacto está equipado con un cordón que tiene un conductor (C) para conectar a tierra el equipo y un enchufe con conexión a tierra (A). El enchufe se debe conectar a una toma de corriente eléctrica adecuada (B) que esté instalada y conectada a tierra de acuerdo a los códigos y dispositivos locales.

PELIGRO

La conexión inadecuada del conductor para conectar a tierra el equipo puede dar como resultado que haya riesgo de un choque eléctrico. Consulte con un electricista calificado o una persona de servicio si tiene dudas sobre si la toma de corriente eléctrica está conectada adecuadamente. No modifique el enchufe que viene con el artefacto; si no se adapta a la toma de corriente eléctrica haga que un electricista calificado instale una toma de corriente adecuada. Este artefacto es para usarse en un circuito de 120 voltios y tiene un enchufe de conexión a tierra que tiene el aspecto que se ilustra en el diagrama (A).

Si no se dispone de una toma de corriente adecuadamente conectada a tierra, se puede usar temporalmente un adaptador (D) para conectar este enchufe a una toma de corriente eléctrica de 2 polos (E). El adaptador temporal se debe usar solamente hasta que un electricista calificado pueda

instalar una toma de corriente eléctrica adecuadamente conectada a tierra (B). La orejuela verde y rígida, la extensión o el dispositivo similar (F) que sale del adaptador se debe conectar a una conexión a tierra permanente (G) como puede ser la placa adecuadamente conectada a tierra de la toma de corriente eléctrica. Cuando se use el adaptador, se lo debe fijar con un tornillo de metal.

NOTA: El Código de electricidad de Canadá no permite el uso de adaptadores temporales.

1. Ensamblado

1-1

Piezas necesarias para el ensamblado

- A. Limpiadora
- B. Mango superior
- C. Pernos y tuercas del mango (en la bolsa con la manguera)
- D. Gancho para la manguera/cordón
- E. Gancho para la manguera/accesorios
- F. Manguera
- G. Boquilla para escaleras y tapices

Accesorios

- H. Detergente para alfombras y tapices
- I. Solución de limpieza para pisos de superficie dura
- J. Escurridor para pisos de superficie dura
- K. Conjunto de escobillas para pisos expuestos*
- L. Accesorio de mano SpinScrub™

Los accesorios no incluidos con su modelo se pueden comprar por separado usando el formulario de pedido ubicado al final de este manual.

*El conjunto de escobillas para pisos de superficie dura (cerdas blancas) no debe usarse en alfombras de pared a pared ni de área.

La limpiadora ya ensamblada debe tener un aspecto semejante al del diagrama. (Refiérase a la página 4)

1-2

Instale el mango superior

Saque el tanque para el agua limpia

(tanque superior) de la limpiadora.

1-3

NOTA: Si el protector del cordón (A) se sale de su sitio durante el desempaque, asegúrese de que vuelva a ser colocado de la manera apropiada antes de continuar el ensamblado de la limpiadora. Con la flecha (B) del protector del cordón apuntando hacia abajo, presione la acanaladura (C) del protector del cordón dentro de la ranura del mango inferior.

1-4

Con el gancho para el cordón (D) orientado hacia la parte trasera de la limpiadora, empuje el mango superior hacia abajo dentro del mango inferior.

1-5

Empuje los pernos en los orificios de la parte delantera del mango. Si los pernos no atraviesan los orificios con facilidad, se debe a que el mango no ha sido empujado completamente hacia abajo. Coloque las tuercas en las depresiones que están en la parte de atrás del mango. Sostenga cada tuerca en su lugar mientras aprieta bien cada perno (desde la parte delantera del mango) con un destornillador Phillips. Solamente se necesitan dos tuercas para este modelo. La tuerca adicional no es necesaria pero se incluye para su conveniencia.

1-6

Reemplace el tanque para el agua limpia (tanque superior) colocando primero la parte inferior. Oprima el tanque para ponerlo en su lugar.

1-7

Instale el gancho para la manguera/cordón

Introduzca las lengüetas del gancho en las ranuras que están en la parte de atrás de la limpiadora. Encaje el gancho en la limpiadora.

Instale el portamanguera/porta-accesorios

El portamanguera/porta accesorios ha sido diseñado para usarse, ya sea en la limpiadora para tener fácil acceso a los accesorios y la manguera o, si éstos no

se van a utilizar, para que se pueda retirar y colgar para guardarlo. Si no lo desea instalar en la limpiadora por ahora, continúe con la figura 1-10 para ver cómo colocar adecuadamente la manguera en el portaaccesorios.

1-8

Deslice las lengüetas (E) del portaaccesorios en las ranuras (F) que están en la parte de atrás de la limpiadora.

1-9

Gire la parte superior del portaaccesorios hacia el mango de la limpiadora. Deslice el portaaccesorios hacia abajo de manera que la muesca (G) del portaaccesorios descansa en el gancho (H) de la limpiadora.

1-10

Identifique las piezas de la manguera antes de guardarla.

I. Extremo con conector para la boquilla

J. Tubo de solución

1-11

Para guardar la manguera y los accesorios

Presione la manguera, a unas pocas pulgadas del extremo con conector para la boquilla (I), dentro del portaaccesorios. Mueva la manguera hacia arriba y por encima del portaaccesorios.

1-12

Presione la manguera dentro del lado opuesto del portaaccesorios. Haga un bucle con la manguera en la parte inferior de la limpiadora y presione dentro de la parte superior del gancho (K).

1-13

Haga un bucle con la manguera de nuevo por encima del portaaccesorios.

Deslice la pinza para la manguera (L) hacia el extremo de la manguera.

Encaje la lengüeta (M) del conector para la manguera en el clip para la manguera.

1-14

Repita en el otro extremo de la manguera. Oprima el tube de solución (J) en el lado opuesto del clip.

1-15

Encaje la boquilla para escaleras y tapices en el portaaccesorios.

1-16

Introduzca el escurridor para pisos de superficie dura a través del "bucle" del portaaccesorios, con las lengüetas de ubicación orientadas hacia la derecha y hacia la parte posterior del aparato. Deslice el accesorio hacia abajo para que quede en su lugar.

1-17

Accesorio de mano SpinScrub™

El accesorio de mano SpinScrub™ viene embalado en una bolsa de plástico para protegerlo. Para sacar la bolsa antes de usar el accesorio, abra la puerta de los accesorios.

1-18

Jale el accesorio hacia abajo y hacia el exterior.

Para volver a colocarlo, siga este procedimiento al revés.

1-19

Como volver a colocar la cubierta de accesorios

La cubierta de accesorios está diseñada para que se separe y quede suelta si se abre demasiado.

Para volver a colocarla, alinee las bisagras de la cubierta con los orificios en los costados del área de guardar los accesorios.

Encaje la puerta en su lugar.

2. Cómo usar la limpiadora

2-1

Descripción de la limpiadora

La limpiadora ensamblada debe tener un aspecto semejante al del diagrama.

1. **Asidero**
2. **Gatillo para la solución:** se oprime para dispensar la solución limpiadora.
3. **Interruptor de encendido y apagado (ON/OFF)**
4. **Interruptor de graduación para enjuague**
5. **Accesorio de mano SpinScrub™**
6. **Mango para transportar**
7. **Mango del tanque para el agua limpia**
8. **Tanque para el agua limpia**
9. **Recipiente de detergente**
10. **Asa del tanque de recuperación**
11. **Tanque de recuperación:** guarda la solución usada
12. **Trabas del tanque de recuperación**
13. **Selector de posición de la escobilla**
14. **Orificio de conexión del tubo de solución**
15. **Limpiadores de bordes:** en ambos costados de la boquilla para eliminar la suciedad cerca de los zócalos
16. **Boquilla**
17. **Orificio de conexión de la manguera**
18. **Gancho para el cordón:** gira para soltar el cordón con rapidez
19. **Manguera**
20. **Portamanguera/portaaccesorios**
21. **Boquilla para escaleras y tapices**
22. **Escurridor para pisos de superficie dura**
23. **Gancho para el cordón/manguera**
24. **Pedal para destrabar el mango**
25. **Ruedas blandas**

Esta limpiadora está diseñada para uso en el hogar.

Haga funcionar la limpiadora solamente al voltaje especificado en la placa con datos que está en la parte posterior de la limpiadora. Enchufe la limpiadora en una toma de corriente eléctrica con conexión a tierra adecuada.

2-2

Interruptor de encendido y apagado (ON/OFF)

Para encender la limpiadora (ON), empuje el interruptor hacia abajo.

Para apagar la limpiadora (OFF), empuje el interruptor hacia arriba.

2-3

Pedal para destrabar el mango

Pise el pedal (A) para bajar el mango a la posición de operación. El mango no se queda fijo en una sola posición sino que "flota" para permitir una operación cómoda.

2-4

Para transportarla

Para mover su limpiadora de una habitación a otra, coloque el mango en la posición vertical trabada, incline la limpiadora hacia atrás sobre las ruedas y empújela hacia delante.

2-5

Mango para transportar

La limpiadora también se puede levantar colocando una mano encima del asa de la parte superior del tanque para la solución limpiadora como se muestra.

2-6

Apagado automático

Cuando el tanque de recuperación (tanque inferior) esté lleno, el mecanismo de apagado automático apagará la succión de la limpiadora (**la succión se reducirá en forma notable**).

En ese momento, el disco flotante amarillo subirá a la parte superior de la tapa del tanque de recuperación (B). La limpiadora ya no recogerá más la solución sucia y el **sonido del motor será notablemente más agudo**.

Cuando esto suceda, apague la limpiadora y vacíe el tanque de recuperación antes de seguir usándola.

También inspeccione el tanque para el agua limpia; puede ser necesario volver a llenarlo.

No lo use sin que estén en su lugar el flotador y el retén del flotador. Si está roto o fuera de lugar, llévelo a un centro de servicio autorizado de Hoover o al distribuidor para que lo reparen.

2-7

Selector de modo SpinScrub

Su limpiadora SteamVac™ cuenta con tres posiciones para el agitador.

SPILL PICK-UP (RECOGIDA DE DERRAMES) – escobillas apagadas para recoger derrames o limpiar alfombras y pisos expuestos cuando no se desea cepillar.

HARD TERRAIN (TERRENO DURO) - para limpiar pisos de azulejos de cerámica, linóleo y madera sellados. Las escobillas girarán a una velocidad más lenta.

CARPET TERRAIN (TERRENO ALFOMBRADO)- escobillas a la velocidad máxima para limpiar alfombras.

Antes de limpiar, deslice el selector de la posición de las escobillas a la posición que desee.

2-8

Interruptor de graduación para enjuague

Use este interruptor para seleccionar limpieza con enjuague o enjuague solamente.

LIMPIEZA-Enjuague automático - Esta graduación limpia la alfombra con detergente y agua en el pase hacia delante. En el pase hacia atrás, se aplica automáticamente un enjuague con agua solamente.

ENJUAGUE - Esta graduación aplica un enjuague con agua solamente tanto en el pase hacia delante como en el pase hacia atrás.

Vea la sección "Cómo limpiar" para más detalles.

2-9

Los tanques

Tanque para el agua limpia (tanque superior)

El tanque de agua limpia (C) contiene el agua que se mezclará con detergente para limpiar alfombras o pisos, o bien el agua que se usará para enjuagar alfombras o pisos.

El contenedor de detergente (D) está permanentemente adjunto al tanque de agua.

2-10

Cómo llenar

Desenchufe la limpiadora de la toma de corriente eléctrica.

Coloque el mango de la limpiadora en la posición vertical para que quede fijo.

Para sacar el tanque presione hacia abajo el asa del tanque y jale hacia delante.

2-11

Lleve el tanque a un fregadero.

Gire el tanque en sentido contrario a las agujas del reloj y retire la tapa.

2-12

Llene el tanque (E) (3.78 L/1 galón) con agua caliente del grifo.

PRECAUCIÓN: No llene con agua a más de 60°C (140°F).

Vuelva a colocar la tapa del tanque y apriétela.

2-13

Para llenar el contenedor de detergente (F), gire la tapa en sentido contrario a las agujas del reloj y retírela.

NO SAQUE el recipiente para el detergente del tanque.

2-14

Llene el recipiente (473 ml/16 onzas) con el detergente para alfombras y tapicería de HOOVER o la solución de limpieza para pisos de superficie dura de HOOVER.

No use el limpiador para pisos expuestos en alfombras o tapices. **No use ningún tipo de cera con su limpiadora en profundidad SteamVac™.**

Para obtener los resultados adecuados, **use solamente detergente HOOVER.**

Vuelva a colocar la tapa del contenedor y apriétela.

NOTA: Use solamente detergentes HOOVER. Sus fórmulas son especiales para usarse con su limpiadora

SteamVac™.

PRECAUCIÓN: Los detergentes contienen surfactantes aniónicos y no iónicos. Evite el contacto con los ojos y la piel. En caso de contacto con los ojos, lávelos con agua fría por 15 minutos. En caso de contacto con la piel, lávela con agua. Si persiste la irritación, llame a un médico.

2-15

ADVERTENCIA: Ciertos limpiadores oxigenados o similares, como OxiClean* y TuffOxi** dañarán el recipiente de detergente (A), el tanque de agua limpia (B) o el tanque de recuperación (C) de su SteamVac™.

Use solamente detergente HOOVER SteamVac™ Oxy para este propósito.

*OxiClean es una marca comercial registrada de Orange Glo International, Inc.

**TuffOxi es una marca comercial de Tuff Products for Pets.

2-16

Coloque la parte inferior del tanque sobre la limpiadora usando una mano en cada lado del tanque para centrarlo sobre la limpiadora.

NOTA: El tanque gira hacia la parte posterior de la limpiadora.

2-17

Empuje la parte superior del tanque y el mango del tanque mientras sujeta la parte posterior de la limpiadora con la otra mano.

2-18

Empuje el mango hacia arriba una vez que el tanque esté colocado, para trabarlo a la limpiadora.

2-19

Revise el tanque para asegurarse de que está bien trabado.

2-20

NOTA: Es posible que haya una pequeña cantidad de agua (indicada con flechas) en la base cuando el tanque se saca de la limpiadora. Esto es normal.

Tanque de recuperación (tanque inferior)

El tanque de recuperación contiene la solución sucia que se ha recogido de la superficie que se está limpiando.

Al llenarse el tanque, el mecanismo de apagado automático funcionará, la succión se detendrá (Fig. 2-6) y se lo debe vaciar.

Cómo vaciar

Apague la limpiadora en profundidad y desenchúfela de la toma de corriente eléctrica.

Para evitar la posibilidad de fuga, saque el tanque para el agua limpia (Figura 2-10) presionando hacia abajo el mango del tanque y jalándolo hacia delante; ponga el tanque aparte (no lo ponga sobre los muebles).

Pise en el pedal para soltar el mango, (Figura 2-3) y baje el mango hasta que descanse sobre el suelo.

2-21

Gire las trabas (G) del tanque de recuperación hacia el exterior (una en cada lado del tanque).

Levante el mango (H) y saque el tanque de la limpiadora.

Lleve el tanque a un fregadero o desagüe.

2-22

Baje el mango hacia la parte posterior del tanque para destrabar la tapa. Levante la tapa del tanque.

Vacíe el tanque y vuelva a colocar la tapa.

Para obtener una succión completa, es importante que la tapa del tanque de recuperación esté bien asegurada antes de limpiar.

Levante el mango del tanque a la posición de transporte y colóquelo en la limpiadora. Baje el mango a la parte delantera del tanque.

Gire las trabas (una en cada lado del tanque) hacia el interior para trabar el tanque en su lugar.

Ponga el asa de la limpiadora en posición vertical y vuelva a colocar el tanque superior para el agua limpia.

3. Cómo limpiar

Antes de empezar la limpieza

a. Aspire bien — Para obtener los mejores resultados en las alfombras, use una aspiradora HOOVER con agitador. Aspire los tapices con una aspiradora con accesorios de limpieza. Use un accesorio para hendiduras para llegar a las borlas y los pliegues. **No use la limpiadora SteamVac™ como si fuera una aspiradora en seco.**

b. Para los tapices vea el código de limpieza — Use solamente su limpiadora SteamVac™ de HOOVER para los tapices de tela que estén marcados con una "W" (que significa para lavado húmedo) o "S/W" (para limpieza con solvente en seco o húmeda). **No limpie las telas marcadas con una "S" (únicamente para limpieza con solvente en seco).** Si su tapiz no tiene un código, busque la ayuda de un profesional.

c. Haga una prueba para ver si destiñe el color — Humedezca una tela blanca absorbente con el detergente. En un área pequeña y escondida, frote suavemente la superficie con la tela humedecida. Espere diez minutos y vea si se ha desteñido o se ha corrido el color pasando una toalla de papel o una tela blanca. Si la superficie tiene más de un color, examine todos los colores.

d. Cuando limpie todo el piso, saque los muebles del área que se va a limpiar (puede no ser necesario si solamente se van a limpiar las zonas de mucho tráfico). Si los muebles son demasiado pesados para moverlos, coloque papel de aluminio o papel encerado debajo de las patas. Esto evitará que el acabado de la madera tiña la alfombra. Levante con alfileres los faldones de los muebles y las cortinas.

e. Trate previamente las manchas y las zonas de mucho tráfico con de limpiador rociador para manchas* de HOOVER® — Pruebe primero de limpiador rociador para manchas rociándolo sobre los colores de un área escondida; espere diez minutos y seque con una tela o toallas de papel de color blanco.

Si no es visible un cambio de color, rocíe de limpiador rociador para manchas en las manchas y áreas de tráfico. Espere por lo menos diez minutos. Use su limpiadora SteamVac™ para recoger de limpiador rociador para manchas y la mancha. Repita hasta que salga la mancha; refriegue con cuidado con un cepillo de uso en el hogar si es necesario.

No sature la alfombra ni los tapices con de limpiador rociador para manchas.

Ninguna solución limpiadora saca todas las manchas de todas las alfombras. La eliminación de manchas varía con el tipo de derrame, el tiempo que ha transcurrido antes de que se saque, y el material y tipo de la alfombra.

f. Para evitar manchar, use plástico o papel de aluminio para proteger las superficies de madera o metal de un posible rociado con agua.

g. Para evitar humedecer y posiblemente dañar los pisos de madera debajo de las alfombras de área o de pared a pared, mueva las alfombras a un piso expuesto que no sea de madera o protéjalos, colocando materiales a prueba de agua (por ejemplo, plástico) debajo de las alfombras antes de limpiarlas.

Puede ver las instrucciones sobre distintas tareas de limpieza en las páginas 22 a 25.

h. Seleccione el conjunto de escobillas adecuado para la tarea de limpieza. El conjunto de escobillas con las cerdas de color verde más cortas es para alfombras de pared a pared y de área; el conjunto con las cerdas blancas más largas es para los pisos de superficie dura.

*Se puede obtener a un costo adicional si no está incluido con su modelo.

Después de la limpieza

a. Deje que seque la alfombra o el tapiz. Para evitar que la alfombra quede opaca o se vuelva a ensuciar, mantenga a los niños y animales alejados de la superficie hasta que **esté completamente seca. Si es necesario caminar sobre la alfombra húmeda**, coloque toallas o telas blancas en las zonas de tráfico.

Si absolutamente se deben volver a colocar los muebles antes de que la alfombra esté seca, coloque plástico o papel de aluminio debajo de las patas de los muebles de modo que los deslizadores de metal o los acabados de la madera no vayan a teñir la alfombra.

b. Vacíe los tanques, enjuague con agua limpia y deje secar al aire. Enjuague la tapa del tanque de recuperación y deje secar al aire libre. Cualquier detergente no usado se puede dejar en el contenedor de detergente para usarse más tarde.

3-1

c. Elimine las pelusas de la malla de filtración que está dentro del tanque de recuperación.

3-2

d. Elimine la pelusa de la malla de filtración que está en la parte de abajo de la limpiadora de la siguiente manera.

Nota: Cuando parezca que las escobillas giran lentamente, desconecte la limpiadora de la toma de corriente eléctrica y examine y limpie la malla.

Saque ambos tanques como se describe en las figuras 2-10 y 2-21. Incline la limpiadora hacia atrás para que el mango descansa en el piso.

Apriete el marco del filtro, levántelo y sáquelo. Limpie la malla y ponga el marco de nuevo en su lugar.

Vuelva a poner la limpiadora en posición vertical.

e. Aspire bien después que **la alfombra se haya secado completamente.** Esto ayudará a reducir cualquier sombreado que hayan podido dejar las escobillas de la limpiadora.

3-3

Para limpiar la boquilla

Si hay pelusa u otros restos atrapados en la boquilla, ésta se puede sacar para su limpieza.

Desenchufe la limpiadora de la toma de corriente eléctrica.

Saque ambos tanques como se describe en las figuras 2-10 y 2-21. Con el mango en la posición vertical, incline la limpiadora hacia atrás de modo que el mango descansa en el piso.

Levante el borde posterior de la boquilla. Deslice la boquilla hacia arriba y sáquela de la limpiadora.

3-4

Para volver a colocar la boquilla, alinee las lengüetas (A) de la boquilla con los orificios (B).

Deslice la boquilla completamente en la limpiadora. Presione la boquilla para asegurarla en su lugar.

Vuelva a colocar el tanque de recuperación (vea la figura 2-22).

La boquilla debe estar en la posición correcta para que el tanque de recuperación encaje adecuadamente.

Levante la limpiadora a la posición vertical y vuelva a colocar el tanque para el agua limpia (figuras 2-16 a 2-19).

Limpeza de alfombras

Lea las instrucciones “Antes de comenzar la limpieza” en la página 22.

1. Para alfombras de pared a pared y de área, coloque el conjunto de escobillas con las cerdas de color verde más cortas. (Consulte la sección de **Mantenimiento, Escobillas removibles** para colocar y sacar los conjuntos de escobillas.) **No use el conjunto de escobillas para pisos de superficie dura para limpiar alfombras.**

2. Llene el tanque para el agua limpia de acuerdo con las instrucciones para la figura de 2-11.

3. Llene el contenedor de detergente con detergente para alfombras y tapices de HOOVER de acuerdo con las instrucciones para las figuras de 2-12 a 2-14.

4. Deslice el selector de la modo SpinScrub a **CARPET TERRAIN (TERRENO ALFOMBRADO).**

5. Séquese las manos y enchufe el cordón en una toma de corriente eléctrica **debidamente conectada a tierra.**

No limpie sobre tomas de corriente eléctricas que estén en los pisos.

6. Para evitar caminar sobre alfombras húmedas comience en el extremo de la habitación más alejado de la puerta o del camino al fregadero donde se vaciarán y llenarán los tanques.

Pise el pedal para soltar el mango y baje el mango a la posición de operación.

7. Coloque el interruptor de graduación para enjuague a la posición **WASH-Auto Rinse (LIMPIEZA-Enjuague Automático).** Encienda la limpiadora (Fig. 3-5).

3-5

8. Apriete el gatillo para dispensar la solución limpiadora y **lentamente** empuje la limpiadora hacia delante (equivalente a un pase húmedo).

9. Continúe apretando el gatillo y jale **lentamente** la limpiadora hacia usted (segundo pase húmedo). La limpiadora enjuaga la alfombra en el pase hacia atrás. **Nota: Para garantizar un enjuague correcto, es importante mantener la limpiadora en la misma trayectoria hacia atrás y hacia delante.**

3-6

10. Suelte el gatillo y empuje lentamente la limpiadora hacia el área que acaba de rociar con la solución (pase seco). Entonces, **lentamente** jale la limpiadora de regreso hacia usted sin apretar el gatillo (pase seco). Continúe dando

pasadas secas hasta que se vea poca agua pasando por la tapa del tanque de recuperación.

3-7

11. Para obtener los mejores resultados, use pases rectos y paralelos como se muestra en la figura 3-7. Sobreponga los pases por 1 pulgada para evitar que queden disparejos.

Mantenga la boquilla plana contra el piso tanto para los pases hacia delante como para los pases hacia atrás.

12. Si desea enjuagar la alfombra con agua solamente, coloque el interruptor de graduación para enjuague en **RINSE (ENJUAGUE)** (figura. 3-8). Repita los pasos 8 a 10. En esta graduación, el enjuague se hará tanto en el pase hacia delante como en el pase hacia atrás. El enjuague no es necesario, pero ayudará a eliminar el residuo de detergente y ayudará a que su alfombra parezca más nueva.

3-8

13. Para zonas muy sucias, repita los pasos 7 a 10. Evite saturar la alfombra, como se indica a continuación.

Nota: Para evitar saturar la alfombra no use más de 4 pases húmedos sobre un área. Siempre termine con pases secos.

Es mejor alternar los pases húmedos y los secos como se ha descrito anteriormente.

Para obtener los mejores resultados de limpieza y ayudar a que la alfombra se seque más rápido, termine con más pases secos. (Continúe dando pasadas secas hasta que se vea poca agua pasando por la tapa del tanque de recuperación).

14. Vacíe el tanque de recuperación cuando el sonido del motor sea demasiado agudo y haya una pérdida de succión (vea "Apagado automático", figura 2-6).

Cuando termine de limpiar, siga las instrucciones "Después de la limpieza" de la página 23.

Limpieza de pisos expuestos

Cómo instalar las escobillas y el escurridor para pisos de superficie dura

Desenchufe la limpiadora de la toma de corriente eléctrica.

Para evitar la posibilidad de fugas, saque el tanque de agua limpia (figura 2-10) y el tanque de recuperación (figura 2-21). Ponga los tanques aparte (no los ponga sobre los muebles).

1. Con el mango en la posición vertical, incline la limpiadora hacia atrás de modo que el mango descanse en el piso.

2. Saque el conjunto de escobillas con las cerdas **verdes**. Instale el conjunto de escobillas para pisos de superficie dura, con las cerdas **blancas**. (Consulte la sección de Mantenimiento, Escobillas removibles para colocar y sacar los conjuntos de escobillas.)

3-9

3. Levante el borde posterior de la boquilla (A). Deslice la boquilla hacia arriba y sáquela de la limpiadora.

3-10

4. Coloque la parte inferior de la boquilla (A) dentro del escurridor (B), con las lengüetas (C) del escurridor detrás de la boquilla como se muestra. Para asegurar el escurridor, presione en el centro de la boquilla hasta que encaje, asegurándose de que los bordes exteriores estén bien ajustados contra la boquilla.

3-11

5. Gire el escurridor hasta que esté trabado, asegurándose de que los bordes exteriores estén bien apretados contra la boquilla. Vuelva a poner la limpiadora en posición vertical. Baje el mango y vuelva a colocar el tanque de recuperación.

6. Levante el mango a la posición vertical y vuelva a colocar el tanque para el agua limpia.

3-12

Alinee las lengüetas (D) de la boquilla con los agujeros (E) de la limpiadora. Deslice las lengüetas dentro de los agujeros.

Deslice la boquilla completamente sobre la limpiadora. Oprima para fijarla en su lugar.

Vuelva a colocar el tanque de recuperación (Fig. 2-22).

La boquilla debe estar en la posición correcta para que el tanque de recuperación esté bien colocado.

Levante el mango a la posición vertical y vuelva a colocar el tanque para el agua limpia (Figs. 2-16 a 2-19).

Para limpiar el piso

Lea las instrucciones "Antes de comenzar la limpieza" en la página 21.

PRECAUCIÓN: Para evitar daños en pisos de madera, siga las recomendaciones de limpieza del fabricante del piso.

Si usa la limpiadora en pisos de madera sellados, inspeccione la superficie del piso en busca de acabados gastados, madera expuesta o juntas separadas. No se recomienda usar la limpiadora sobre pisos de madera si existe alguna de estas condiciones.

1. Llene el tanque para el agua limpia de acuerdo con las instrucciones para las figuras de 2-9 a 2-11.

2. Llene el recipiente de detergente con la solución de limpieza para pisos de superficie dura de HOOVER de acuerdo con las instrucciones para las figuras de 2-12 a 2-14.

3. Deslice el selector de la modo SpinScrub a **HARD TERRAIN (TERRENO DURO)**.

4. Séquese las manos y **enchufe la limpiadora en una toma de corriente eléctrica con conexión a tierra adecuada.**

5. Pise el pedal para soltar el mango y baje el mango a la posición de operación.

6. Coloque el interruptor de graduación para enjuague a la posición **WASH-AutoRinse (LIMPIEZA-Enjuague Automático)**. Encienda la limpiadora.

7. Para dispensar la solución, oprima el gatillo. Mueva la limpiadora lentamente hacia delante y hacia atrás sobre el área que va a limpiar. Se dispensará agua y detergente en el pase hacia delante. Un enjuague con agua solamente se dispensará automáticamente en el pase hacia atrás.

8. Para recoger la solución sucia, suelte el gatillo y mueva lentamente la limpiadora sobre el área donde acaba de dispersar la solución. Use pases hacia delante y hacia atrás.

9. Si se desea enjuagar el piso, coloque el interruptor de graduación para enjuague en **RINSE (ENJUAGUE)**. Repita los pasos 7 y 8. Esta graduación proporciona un enjuague con agua solamente tanto en el pase hacia delante como en el pase hacia atrás.

El enjuague no es necesario, pero ayudará a eliminar el residuo de detergente del piso.

10. Vacíe el tanque de recuperación cuando el sonido del motor sea demasiado agudo y haya una pérdida de succión (vea "Apagado automático",

figura 2-6).

11. Cuando termine de limpiar, siga las instrucciones “Después de la limpieza” de la página 23.

Desconecte la limpiadora en profundidad de la toma de corriente eléctrica y saque el escurridor de la boquilla. Enjuáguelo con agua limpia.

Para recoger derrames

Su limpiadora SteamVac™ también se puede usar para recoger **pequeños derrames de líquidos (1 galón/3,8 L) o menos, nunca debe exceder 1/4 de pulgada/6,3 mm en profundidad)** en alfombras, tapicería o pisos expuestos.

Para obtener los mejores resultados, recoja los derrames inmediatamente, colocando la boquilla para escaleras y tapicería justo por encima del derrame y succionando cualquier residuo que esté sobre la alfombra. Si queda derrame, coloque ya sea la boquilla para escaleras y tapicería o la de pisos con el selector de modo SpinScrub en SPILL PICK-UP (RECOGIDA DE DERRAMES) delante del derrame, empuje la boquilla muy lentamente sobre el derrame, al principio solamente con succión. Repita el rociado y la succión.

Cuando esté recogiendo derrames en pisos expuestos, use solamente la boquilla para pisos con el accesorio **escurridor para pisos de superficie dura** en su lugar (vea “Limpieza de pisos expuestos”, figuras 3-9 y 3-12). Deslice el selector de modo SpinScrub a SPILL PICK-UP (RECOGIDA DE DERRAMES).

Si queda una mancha, habitualmente lo más eficaz para quitarla es la boquilla para escaleras y tapicería. Aunque ninguna solución limpiadora puede sacar completamente todas las manchas, éstas se pueden tratar siguiendo las instrucciones que dé el fabricante de la alfombra, la tapicería o la superficie de piso expuesto que se está limpiando.

No use la limpiadora para recoger líquidos combustibles o inflamables o químicos.

Cuando haya terminado, siga las instrucciones “Después de la limpieza”.

Uso de los accesorios

Coloque la manguera

Desenchufe la limpiadora de la toma de corriente eléctrica.

3-13

Abra el orificio de conexión de la

manguera (A).

3-14

Inserte el extremo corto de la manguera, haciendo que las lengüetas de la manguera coincidan con las ranuras del mismo tamaño en el orificio. Empuje la manguera dentro del orificio de entrada y trábela en su lugar.

3-15

Conecte el tubo de solución firmemente en el orificio de conexión para la solución (B).

3-16

Para sacar la manguera: Apriete las trabas (C) en las partes superior e inferior de la manguera. Saque la manguera del orificio de entrada. Cierra la puerta.

Saque el tubo de solución del orificio de conexión para la solución.

Seleccione el accesorio

Su modelo incluye los siguientes accesorios:

3-17

D. El accesorio de mano SpinScrub™ tiene escobillas giratorias para una acción adicional de refregado en alfombras pequeñas, escaleras alfombradas y tapices.

E. La boquilla para escalera y tapices tiene incorporada una escobilla que ayuda a refregar algunas manchas que se van a limpiar.

3-18

Cómo conectar los accesorios

Desenchufe la limpiadora de la toma de corriente eléctrica.

1. Coloque el mango en la posición vertical y saque la manguera del soporte. Todos los accesorios se conectan a la manguera del mismo modo.

2. Conecte el accesorio a la manguera deslizándolo en el conector (F) hasta que la lengüeta (G) encaje con seguridad.

Con el pulgar, **empuje la traba (G) hacia delante y arriba** para sacar el accesorio.

Después de usar el accesorio

Haga salir el agua de la manguera de succión encendiendo la limpiadora y sosteniendo la boquilla hacia arriba por varios minutos. **No oprima el gatillo.**

Desenchufe la limpiadora de la toma de corriente eléctrica.

Desconecte la manguera y el tubo de solución de la limpiadora.

3-19

Vacíe el tubo de solución colocando el extremo redondo en el fregadero y levantando la boquilla por encima de la altura de su cabeza. Apriete el gatillo.

3-20

El portaaccesorios se puede quitar y colgar de una percha para guardarlo.

Limpieza de escaleras alfombradas

Lea las instrucciones “Antes de comenzar la limpieza” en la página 22.

1. Conecte la manguera y el tubo de solución de acuerdo con las instrucciones de las figuras de 3-11 a 3-13.
 2. Coloque el mango en posición vertical. **Las escobillas del agitador no girarán mientras el mango esté vertical.**
 3. Llene el tanque para el agua limpia de acuerdo con las instrucciones para las figuras de 2-9 a 2-12.
 4. Llene el contenedor de detergente con detergente para alfombras y tapices de HOOVER de acuerdo con las instrucciones para las figuras de 2-13 a 2-15.
 5. Coloque el accesorio en el extremo de la manguera.
 6. La longitud de la manguera puede requerir que la máquina se coloque en la parte superior de las escaleras para limpiar la mitad superior de la escalera y al otro extremo de la escalera para limpiar la mitad inferior.
- Para evitar que se caiga la máquina, tenga mucho cuidado cuando limpie escaleras.**
- No coloque la limpiadora sobre los escalones.**
- No apunte los accesorios hacia personas o animales.**
7. Séquese las manos y enchufe la limpiadora **en una toma de corriente eléctrica con conexión a tierra adecuada.**
 8. Coloque el interruptor de graduación para enjuague a la posición **WASH-AutoRinse (LIMPIEZA-Enjuague**

Automático). Encienda la limpiadora.

Nota: El “enjuague automático” y el enjuague no están disponibles durante el uso con accesorios. La manguera sólo dispensará agua mezclada con detergente.

3-21

9. Haga un rociado preliminar de la escalera alfombrada sosteniendo el accesorio (A) o (B) o aproximadamente 2.5 cm (1 pulgada) por encima de la alfombra y empújelo hacia delante mientras oprime el gatillo (equivale a un pase húmedo).

10. Coloque el accesorio contra la parte vertical del escalón y presione ligeramente las fibras de la alfombra. Oprima el gatillo y jale el accesorio **lentamente** sobre la alfombra (segundo pase húmedo). Suelte el gatillo al final del pase.

3-22

11. Levante el accesorio y colóquelo contra la parte vertical del escalón. Jale el accesorio **lentamente** sobre la alfombra sin oprimir el gatillo (pase seco).

12. Sobreponga los pases 1.26cm (1/2 pulgada) para evitar que queden disparejos.

Es mejor alternar los pases húmedos y los secos como se ha descrito anteriormente. Termine con más pases secos para que la alfombra se seque más rápido.

Para evitar saturar la alfombra no use más de 4 pases húmedos sobre un área. Siempre termine con pases secos.

Si se necesita una limpieza adicional, espere hasta que la alfombra esté completamente seca antes de usar el accesorio nuevamente.

13. Vacíe el tanque de recuperación cuando el sonido del motor sea demasiado agudo y haya una pérdida de succión (vea “Apagado automático”, figura 2-6).

Cuando termine de limpiar, siga las instrucciones “Después de la limpieza” en la página 23 y “Después de usar el accesorio” en la página 25.

Limpieza de tapices

Lea las instrucciones “Antes de comenzar la limpieza” en la página 22.

No deje de verificar el código de limpieza de su tapiz. **Use su limpiadora en tapices marcados “W” o “W/S”.**

1. Conecte la manguera y el tubo de solución de acuerdo con las instrucciones de las figuras de 3-13 a 3-16.

2. Coloque el mango en posición vertical. **Las escobillas del agitador no girarán mientras el mango esté vertical.**

3. Llene el tanque para el agua limpia de acuerdo con las instrucciones para las figuras de 2-9 a 2-12.

4. Llene el contenedor de detergente con detergente para alfombras y tapices de HOOVER de acuerdo con las instrucciones para las figuras de 2-13 a 2-15. **No use la solución de limpieza para pisos de superficie dura para limpiar tapicería.**

5. Coloque el accesorio en el extremo de la manguera.

No apunte los accesorios hacia personas o animales.

6. Séquese las manos y enchufe la limpiadora **en una toma de corriente eléctrica con conexión a tierra adecuada.**

7. Coloque el interruptor de graduación para enjuague a la posición **WASH-AutoRinse (LIMPIEZA-enjuague Automático)**. Encienda la limpiadora.

Nota: El “enjuague automático” y el enjuague no están disponibles durante el uso con accesorios. La manguera sólo dispensará agua mezclada con detergente.

3-23

8. Presione el accesorio suavemente sobre la tela. Oprima el gatillo y haga retroceder la boquilla lentamente sobre la tela.

9. Sobreponga los pases 1.26 cm (1/2 pulgada) para evitar que queden disparejos.

Haga pases adicionales sin presionar el gatillo para eliminar más humedad.

10. Para limpiar las esquinas y rendijas, levante el accesorio a media pulgada de la tela y apriete el gatillo para dispensar la solución.

11. Aspire la solución con el accesorio sin apretar el gatillo.

12. En las zonas muy sucias puede ser necesario repetir el proceso de limpieza. Haga pases que crucen el diseño original; sobreponga cada pase (figura 3-24).

3-24

No haga más de dos pases con la solución o enjuague sobre un área para evitar mojar demasiado la tela lo que podría dañarla.

Si se necesita una limpieza adicional, espere hasta que el tapiz esté completamente seco antes de usar nuevamente el accesorio.

13. Vacíe el tanque de recuperación cuando el sonido del motor sea demasiado agudo y haya una pérdida de succión (vea “Apagado automático”, figura 2-6).

Cuando termine de limpiar, siga las instrucciones “Después de la limpieza” en la página 23 “Después de usar el accesorio” en la página 25.

4. Mantenimiento

Escobillas removibles

La limpiadora está equipada con escobillas removibles. Siga estas instrucciones para cambiar los conjuntos de escobillas o para facilitar la limpieza.

Para sacar las escobillas

Desenchufe la limpiadora de la toma de corriente eléctrica.

Para evitar la posibilidad de fuga, saque el tanque para el agua limpia y el tanque de recuperación. Coloque los tanques a un lado.

4-1

Con el mango en la posición vertical, incline la limpiadora hacia atrás hasta que el mango descansa en el piso.

4-2

Sujete el conjunto de las escobillas y tire firmemente.

Las escobillas pueden limpiarse bajo un chorro de agua.

4-3

Para volver a colocar las escobillas

Alinee los salientes (A) en ambos extremos del conjunto de escobillas con las ranuras (B) del marco de la limpiadora.

Cerciórese de que el saliente cuadrado (C) se alinee también con el orificio cuadrado (D). Gire las escobillas ligeramente hasta que el saliente se adapte con facilidad en el orificio.

Presione el conjunto de escobillas firmemente para encajarlo en su lugar.

Almacenamiento

Antes de guardar:

- Vacíe el tanque para el agua limpia y déjelo secar al aire. Vuelva a colocarlo en la limpiadora.
- El detergente no usado se puede guardar en el contenedor de detergente.
- Vacíe el tanque de recuperación, enjuague el tanque y la tapa a fondo con agua limpia y deje secar al aire.

Deje que las escobillas y la parte de abajo de la limpiadora se sequen al aire completamente antes de guardar la limpiadora sobre una superficie alfombrada o de madera.

No guarde la limpiadora con el tanque para el agua limpia lleno.

Lubricación

El motor tiene cojinetes que cuentan con suficiente lubricación para la duración del motor. La adición de lubricantes podría causar daños. **Por lo tanto, no añada lubricante a los cojinetes del motor.**

5. Si tiene un problema

Si ocurre un problema menor, generalmente puede resolverse con bastante facilidad cuando se halla la causa, usando esta lista de verificación.

Problema: La máquina no funciona

Causa posible

Solución posible

- **No está bien enchufada**
- *Enchúfela bien*
- **No hay voltaje en la toma de corriente eléctrica de la pared**
- *Inspeccione el fusible y el interruptor*
- **Fusible quemado o se desconectó el interruptor**
- *Cambie el fusible o reconecte el interruptor*

Problema: Aspiración baja de la solución

Causa posible

Solución posible

- **El tanque de recuperación está lleno y se ha activado el apagado automático**
- *Saque y vacíe el tanque de recuperación*

- **Hay un bloqueo en el accesorio al extremo de la manguera**
- *Saque el accesorio y limpie el bloqueo*
- **La tapa del tanque de recuperación no está bien puesta**
- *Verifique que la tapa esté bien ajustada*
- **Tanque de agua vacío, pero queda detergente**
- *Llene el tanque de agua*

Problema: La máquina no dispensa el agua limpia

Causa posible

Solución posible

- **El tanque para el agua limpia no está bien colocado**
- *Verifique que el tanque esté bien asegurado en su sitio*
- **Tanque para el agua limpia vacío o contenedor para el detergente vacío**
- *Llene el contenedor de acuerdo con las instrucciones para la superficie que se va a limpiar*
- **La tapa del tanque de recuperación no está bien puesta**
- *Verifique que la tapa esté bien ajustada*

Problema: La máquina no dispensa el detergente

Causa posible

Solución posible

- **Tapa de la válvula obstruida**
 - *Saque y limpie la tapa de la válvula (vea las instrucciones siguientes)*
1. **Saque el tanque de agua limpia.**
 2. **Gire la tapa de la válvula (A) en sentido contrario a las agujas del reloj y sáquela. (Fig. 5-1) Ponga en remojo la tapa de la válvula en agua tibia por lo menos durante 15 minutos. Seque la tapa con un paño.**
 3. **Alinee las ranuras (B) de la tapa con las lengüetas (C) de la abertura. (Fig. 5-2) Gire la tapa en el sentido de las agujas del reloj para apretarla.**

Problema: Las escobillas no giran durante la limpieza del piso

Causa posible

Solución posible

- **La malla de filtración en la parte de**

- **debajo de la limpiadora está sucia**
- *Limpie la malla como se muestra en la figura 3-2*
- **Selector de modo SpinScrub en SPILL PICK-UP (RECOGIDA DE DERRAMES)**
- *Deslice el selector de modo a HARD TERRAIN (TERRENO DURO) o CARPET TERRAIN (TERRENO ALFOMBRADO).*
- **Posición de HARD TERRAIN (TERRENO DURO) y escobillas para pisos de superficie dura utilizados para limpiar alfombras.**
- *Para limpiar alfombras, use el conjunto de escobillas para alfombras (cerdas verdes) y coloque el selector de modo SpinScrub en CARPET TERRAIN (TERRENO ALFOMBRADO).*

Servicio

Para obtener el servicio autorizado HOOVER y piezas genuinas HOOVER, localice el **centro de ventas y de servicio de Hoover o el concesionario autorizado de servicio de garantía de Hoover (depósito)** más cercano:

- consultando la sección de Servicio de Hoover en el Internet en **www.hoover.com**, O
- buscando en la lista de centros de ventas y de servicio que viene con esta limpiadora, O
- buscando en las páginas amarillas de la guía de teléfonos, bajo "Vacuum Cleaners - Household" ("Aspiradoras - artículos del hogar"), O
- llamando al **1-800-944-9200** para obtener una referencia automatizada de las ubicaciones de los centros de servicio autorizados (solamente en EE.UU.).

No envíe su limpiadora a Hoover en Newton, Iowa para obtener servicio; esto sólo resultará en demoras.

Si necesita asistencia adicional, comuníquese con Hoover Consumer Response Center, Teléfono: 330-499-9499.

En Canadá, comuníquese con Hoover Canada, Burlington, Ontario L7R 4A8. Teléfono: 1-800-263-6376.

Al solicitar información o pedir piezas, identifique siempre su limpiadora por el número **completo** de modelo. (El número de modelo aparece en la parte inferior de la limpiadora).

Garantía completa de un año

(Para uso doméstico)

Su artefacto HOOVER® está garantizado en caso de uso doméstico normal, según el Manual del Propietario, contra defectos originales en el material y la fabricación por el período de un año completo a contar de la fecha de compra. La presente garantía cubre gratuitamente la mano de obra y las piezas necesarias para dejar este artefacto en buen estado de funcionamiento durante el período de garantía. Esta garantía es válida si el artefacto fue comprado en los Estados Unidos, en sus territorios y posesiones o en Canadá o en una tienda situada en una base militar de los EE.UU. Los artefactos comprados en otros lugares están cubiertos por una garantía limitada de un año que cubre solamente el costo de las piezas. Esta garantía no es válida si el artefacto es utilizado para uso comercial o de alquiler.

Esta garantía solamente es válida cuando el producto se usa en el país o territorio en el cual fue comprado.

El servicio bajo la garantía se puede obtener solamente al presentar el artefacto en uno de los centros autorizados de servicio de garantía indicados a continuación. Se requerirá la presentación de un comprobante de compra antes de efectuar el servicio.

1. Centros de ventas y de servicio de Hoover.
2. Concesionarios autorizados de servicio de garantías de Hoover (Depósitos)

Para obtener una referencia automatizada de la ubicación de los sitios autorizados para servicio de productos en los Estados Unidos, llame al 1-800-944-9200, O

visite Hoover en el Internet en www.hoover.com

Esta garantía no cubre la recogida, la entrega, ni las visitas a domicilio; sin embargo, si envía su artefacto a un Centro de Ventas y de Servicio de Hoover para un servicio de garantía, el transporte se pagará en una sola dirección.

Si bien esta garantía le otorga derechos específicos, usted puede tener otros derechos que varían de estado a estado.

Si necesita más ayuda, o si tiene preguntas sobre esta garantía o la disponibilidad de centros de servicio bajo garantía, llame al Centro de Respuesta al Cliente de Hoover
Teléfono: 1-330-499-9499.

En Canadá, comuníquese con Hoover Canada, Burlington, Ontario L7R 4A8.
Teléfono: 1-800-263-6376.



PARTS & ACCESSORIES MAIL ORDER FORM

Detach this section and mail to:
THE HOOVER COMPANY
101 East Maple St.
North Canton, OH 44720
Attn: Sales & Service Center

| Item Description | Part No. | No. in Pack | Cost/Per Pack | No. of Packs | TOTAL |
|---|----------|-------------|---------------|--------------|---------|
| Deep Cleansing Carpet/Upholstery Detergent - 128 oz. 48 oz. | 40321128 | 1 | \$21.99 | | |
| | 40321048 | 1 | \$11.99 | | |
| Ultra Carpet/Upholstery Detergent-48 oz. | 40301448 | 1 | \$15.99 | | |
| Orange Essence™ Carpet/Upholstery Detergent - 48 oz. | 40321049 | 1 | \$12.99 | | |
| Spot and Stain Spray Cleaner - 32 oz. 16 oz. | 40322032 | 1 | \$13.99 | | |
| | 40322016 | 1 | \$ 8.59 | | |
| Premium Pet Formula Carpet/Upholstery Detergent - 48 oz | 40321050 | 1 | \$14.99 | | |
| Pet Stain & Odor Remover - 32 oz. | 40325032 | 1 | \$15.99 | | |
| Floor-to-Floor™ Hard Floor Cleaning Solution - 32 oz. | 40303032 | 1 | \$ 7.99 | | |
| Hard Floor Squeegee | 36419008 | 1 | \$ 5.99 | | |
| Hard Floor Brush Block | 48437034 | 1 | \$23.99 | | |
| Carpet Brush Block | 48437030 | 1 | \$23.99 | | |
| TOTAL MERCHANDISE | | | | | \$ |
| ADD YOUR APPLICABLE STATE TAX + | | | | | |
| SHIPPING & HANDLING + | | | | | \$ 7.50 |
| TOTAL COST | | | | | \$ |

| Part No. | Cost Per Pack | No. of Packs | Total |
|--------------------------|---------------|--------------|-------|
| 40321128 | \$21.99 | | |
| 40321048 | \$11.99 | | |
| 40301448 | \$15.99 | | |
| 40321049 | \$12.99 | | |
| 40322032 | \$13.99 | | |
| 40322016 | \$ 8.59 | | |
| 40321050 | \$14.99 | | |
| 40325032 | \$15.99 | | |
| 40303032 | \$ 7.99 | | |
| 36419008 | \$ 5.99 | | |
| 48437034 | \$23.99 | | |
| 48437030 | \$23.99 | | |
| | \$ | | |
| | \$ | | |
| TOTAL MERCHANDISE | | | \$ |

ADD YOUR APPLICABLE STATE TAX +
SHIPPING & HANDLING + \$7.50
TOTAL COST \$

SHIP TO: Please print your name and address carefully in ink.

Name _____

Street _____

PAYMENT METHOD:

Check or Money Order made payable to:
The Hoover Company

Visa MasterCard Discover
 Number _____ Exp. Date _____
 Name on Card _____

Signature (Required) _____

Daytime Phone & Area Code _____

Replacement parts and accessory items may be purchased from your Authorized Hoover Dealer, Leading Retailers, Hoover Sales & Service Centers, on-line at www.hoover.com, or by completing this order form.

Mail orders limited to U.S. residents only.
Please allow 3-4 weeks for delivery.

The Hoover Company,
101 East Maple St.,
North Canton, OH 44720
Attn: Sales & Service Center

Desprenda esta sección y envíela por correo a:
THE HOOVER COMPANY
 101 East Maple St.
 North Canton, OH 44720



FORMULARIO DE PEDIDO DE PIEZAS Y ACCESORIOS POR CORREO

| Número de pieza | Costo/por Paqte. | No. en Paqte. | Total |
|-----------------|------------------|---------------|-------|
| 40321128 | \$21.99 | | |
| 40321048 | \$11.99 | | |
| 40301448 | \$15.99 | | |
| 40321049 | \$12.99 | | |
| 40322032 | \$13.99 | | |
| 40322016 | \$ 8.59 | | |
| 40321050 | \$14.99 | | |
| 40325032 | \$15.99 | | |
| 40303032 | \$ 7.99 | | |
| 36419008 | \$ 5.99 | | |
| 48437034 | \$23.99 | | |
| 48437030 | \$23.99 | | |
| | \$ | | |
| | \$ | | |
| | \$ | | |

MERCANCIA TOTAL \$ _____
AÑADA SU IMPUESTO ESTATAL CORRESPONDIENTE +
GASTOS DE ENVIO + \$7.50
COSTO TOTAL \$ _____

ENVIAR A: Escriba su nombre y dirección en letra de imprenta con bolígrafo.

Nombre y Apellido _____
 Calle _____
 Ciudad _____
 Estado _____ Código postal _____

FORMA DE PAGO:

Cheque o giro postal pagadero a: **The Hoover Company**
 Visa MasterCard Discover

No. tarjeta _____ Fecha de venc _____
 Nombre en la tarjeta _____
 Firma (Requerida) _____
 Teléfono diurno y código de área _____

| Descripción del artículo | Número de pieza | No. en Paqte. | Costo/por Paqte. | No. de Paqte. | TOTAL |
|---|-----------------|---------------|------------------|---------------|-------|
| Detergente para limpieza profunda de alfombras y tapicería - 128 oz. | 40321128 | 1 | \$21.99 | | |
| 48 oz. | 40321048 | 1 | \$11.99 | | |
| Detergente Ultra para alfombras y tapicería - 48 oz. | 40301448 | 1 | \$15.99 | | |
| Detergente Orange Essence™ con esencia de naranja para alfombras y tapicería -48 oz. | 40321049 | 1 | \$12.99 | | |
| Limpiador para manchas - 32 oz. | 40322032 | 1 | \$13.99 | | |
| 16 oz. | 40322016 | 1 | \$ 8.59 | | |
| Detergente de gran calidad formulado para manchas de mascotas en alfombras y tapicería - 48 oz. | 40321050 | 1 | \$14.99 | | |
| Rociador para eliminar manchas y olores y causados por los mascotas - 32 oz. | 40325032 | 1 | \$15.99 | | |
| Solución limpiadora para pisos Floor-to-Floor™ Hard Floor - 32 oz | 40303032 | 1 | \$ 7.99 | | |
| Escurreidor para pisos de superficie dura | 36419008 | 1 | \$ 5.99 | | |
| Conjunto de escobillas para pisos expuestos | 48437034 | 1 | \$23.99 | | |
| Conjunto de escobillas para alfombras | 48437030 | 1 | \$23.99 | | |

MERCANCIA TOTAL \$ _____
AÑADA SU IMPUESTO ESTATAL CORRESPONDIENTE +
GASTOS DE ENVIO + \$ 7.50
COSTO TOTAL \$ _____

Las piezas y accesorios de repuesto se pueden comprar a través del concesionario autorizado de Hoover, las principales tiendas, los Centros de ventas y servicio de Hoover, en Internet en www.hoover.com, o rellenando este formulario de pedido.

Se aceptan pedidos hechos por correo de residentes de EE.UU. solamente.

Permita de 3 a 4 semanas para la entrega.

The Hoover Company,
 101 East Maple St.,
 North Canton, OH 44720
 Attn: Sales & Service Center

HOOVER y  son marcas registradas

HOOVER and  are registered trademarks