



**HE<sup>3t</sup>**

## **Front-Loading Automatic Washer**

Owner's Manual and Installation Instructions

## **Lavadora automática de carga frontal**

Manual del propietario e Instrucciones de instalación

## **Laveuse automatique à chargement frontal**

Manuel du propriétaire et Instructions d'installation

Models/Modelos/Modèles **110.4596\***, 4597\*

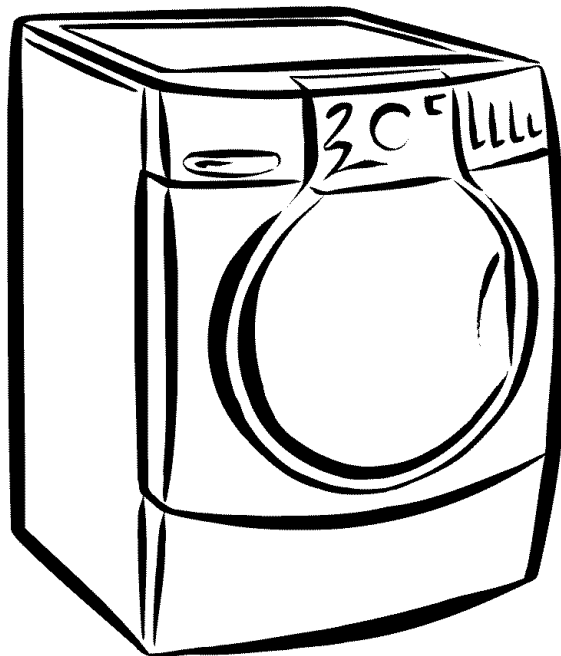
\* = color number, número de color, numéro de couleur



Designed to use only HE High Efficiency detergent

Diseñado para utilizar solamente detergente de alta eficacia

Conçu pour l'utilisation d'un détergent haute efficacité seulement



ENGLISH ESPAÑOL FRANÇAIS

461970228982  
✓8182745A

Sears Roebuck and Co., Hoffman Estates, IL 60179, U.S.A.  
Sears Canada Inc., Toronto, Ontario, Canada M5B 2B8

[www.sears.com](http://www.sears.com)  
[www.sears.ca](http://www.sears.ca)

# TABLE OF CONTENTS

<b>PROTECTION AGREEMENTS</b> .....	<b>2</b>
In the U.S.A.....	2
In Canada .....	2
<b>WARRANTY</b> .....	<b>3</b>
<b>WASHER SAFETY</b> .....	<b>4</b>
<b>INSTALLATION REQUIREMENTS</b> .....	<b>5</b>
Tools and Parts .....	5
Options .....	5
Location Requirements .....	6
Drain System .....	7
Electrical Requirements.....	8
<b>INSTALLATION INSTRUCTIONS</b> .....	<b>9</b>
Remove Transport System.....	9
Connect the Inlet Hoses.....	9
Route the Drain Hose .....	10
Secure the Drain Hose .....	10
Level the Washer .....	10
Complete Installation.....	11
<b>FEATURES AND BENEFITS</b> .....	<b>11</b>
<b>WASHER USE</b> .....	<b>12</b>
Starting Your Washer .....	12
Using the Proper Detergent .....	12
Using the Dispenser .....	13
Pausing or Restarting.....	14
Changing Cycles, Options and Modifiers .....	14
Status Lights.....	14
Cycles .....	15
Normal Sounds.....	16
Options .....	16
Modifiers .....	17
Laundry Guide .....	17
<b>LAUNDRY TIPS</b> .....	<b>18</b>
Loading.....	18
<b>WASHER CARE</b> .....	<b>19</b>
Cleaning Your Washer.....	19
Water Inlet Hoses .....	20
Vacation, Storage and Moving Care .....	20
<b>TROUBLESHOOTING</b> .....	<b>21</b>
<b>SERVICE NUMBERS</b> .....	<b>BACK COVER</b>

## PROTECTION AGREEMENTS

### In the U.S.A.

#### Master Protection Agreements

Congratulations on making a smart purchase. Your new Kenmore® product is designed and manufactured for years of dependable operation. But like all products, it may require preventive maintenance or repair from time to time. That's when having a Master Protection Agreement can save you money and aggravation.

*Purchase a Master Protection Agreement now and protect yourself from unexpected hassle and expense.*

The Master Protection Agreement also helps extend the life of your new product. Here's what's included in the Agreement:

- ✓ **Expert service** by our 12,000 professional repair specialists
- ✓ **Unlimited service and no charge** for parts and labor on all covered repairs
- ✓ **"No-lemon" guarantee** – replacement of your covered product if four or more product failures occur within twelve months
- ✓ **Product replacement** if your covered product can't be fixed
- ✓ **Annual Preventive Maintenance Check** at your request – no extra charge
- ✓ **Fast help by phone** – phone support from a Sears technician on products requiring in-home repair, plus convenient repair scheduling
- ✓ **Power surge protection** against electrical damage due to power fluctuations
- ✓ **Rental reimbursement** if repair of your covered product takes longer than promised

Once you purchase the Agreement, a simple phone call is all that it takes for you to schedule service. You can call anytime day or night, or schedule a service appointment online.

Sears has over 12,000 professional repair specialists, who have access to over 4.5 million quality parts and accessories. That's the kind of professionalism you can count on to help prolong the life of your new purchase for years to come. Purchase your Master Protection Agreement today!

**Some limitations and exclusions apply. For prices and additional information, call 1-800-827-6655.**

#### Sears Installation Service

For Sears professional installation of home appliances, garage door openers, water heaters, and other major home items, in the U.S.A. call **1-800-4-MY-HOME®**.

### In Canada

#### Maintenance Agreements

Your purchase has added value because you can depend on Sears HomeCentral® for service. With over 2,400 Service Technicians and more than a million parts and accessories, we have the tools, parts, knowledge and skills to back our pledge: We Service What We Sell.

Your Kenmore® product is designed, manufactured and tested to provide years of dependable operation. But like all products, it may require service from time to time. The Sears Maintenance Agreement offers you an outstanding service program, affordably priced.

#### The Sears Maintenance Agreement

- Is your way to buy tomorrow's service at today's price
- Eliminates repair bills resulting from normal wear and tear
- Provides phone support from a Sears technician on products requiring in-home repair
- Even if you don't need repairs, provides an annual Preventive Maintenance Check, at your request, to ensure that your product is in proper running condition.

**Some limitations apply. For more information about Sears Canada Maintenance Agreements, call 1-800-361-6665.**

# KENMORE ELITE® APPLIANCE AND OPTIONAL PEDESTAL WARRANTY

## ONE YEAR LIMITED WARRANTY

When installed, operated and maintained according to all instructions supplied with the product, if this appliance fails due to a defect in material or workmanship within one year from the date of purchase, call 1-800-4-MY-HOME® to arrange for free repair.

## LIMITED LIFETIME WARRANTY ON STAINLESS STEEL DRUM

For the lifetime of the washer from the date of purchase, when this washer is installed, operated and maintained according to all instructions supplied with the product, Sears will replace the stainless steel wash drum due to defective materials or workmanship. After the first year, customer assumes any labor costs associated with replacement of this part.

## TEN YEAR LIMITED WARRANTY ON PLASTIC TUB

For ten years from the date of purchase, when this washer is installed, operated and maintained according to all instructions supplied with the product, Sears will replace the plastic tub due to defective materials or workmanship. After the first year, customer assumes any labor costs associated with replacement of this part.

## FIVE YEAR LIMITED WARRANTY ON DRIVE SYSTEM PARTS

For five years from the date of purchase, when this washer is installed, operated and maintained according to all instructions supplied with the product, Sears will replace the following drive system parts if defective in materials or workmanship: drive pulley and drive belt. After the first year, customer assumes any labor costs associated with replacement of these parts.

## TWO YEAR LIMITED WARRANTY ON SENSOR SMART™ ELECTRONIC BOARD

For two years from the date of purchase, when this washer is installed, operated and maintained according to all instructions supplied with the product, Sears will replace the electronic control board if defective in materials or workmanship. After the first year, customer assumes any labor costs associated with replacement of these parts.

If this appliance is used for other than private family purposes, this warranty applies for only 90 days from the date of purchase.

## THIS WARRANTY COVERS ONLY DEFECTS IN MATERIAL AND WORKMANSHIP. SEARS WILL NOT PAY FOR:

1. Expendable items that can wear out from normal use, including but not limited to filters, belts, light bulbs, and bags.
2. A service technician to instruct the user in correct product installation, operation or maintenance.
3. A service technician to clean or maintain this product.
4. Damage to or failure of this product if it is not installed, operated or maintained according to all instructions supplied with the product.
5. Damage to or failure of this product resulting from accident, abuse, misuse or use for other than its intended purpose.
6. Damage to or failure of this product caused by the use of detergents, cleaners, chemicals or utensils other than those recommended in all instructions supplied with the product.
7. Damage to or failure of parts or systems resulting from unauthorized modifications made to this product.

## DISCLAIMER OF IMPLIED WARRANTIES; LIMITATION OF REMEDIES

Customer's sole and exclusive remedy under this limited warranty shall be product repair as provided herein. Implied warranties, including warranties of merchantability or fitness for a particular purpose, are limited to one year or the shortest period allowed by law. Sears shall not be liable for incidental or consequential damages. Some states and provinces do not allow the exclusion or limitation of incidental or consequential damages, or limitations on the duration of implied warranties of merchantability or fitness, so these exclusions or limitations may not apply to you.

This warranty applies only while this appliance is used in the United States and Canada.

This warranty gives you specific legal rights, and you may also have other rights which vary from state to state.

**Sears, Roebuck and Co.**  
Dept. 817WA, Hoffman Estates, IL 60179  
**Sears Canada Inc.**  
Toronto, Ontario, Canada M5B 2B8

## PRODUCT RECORD

In the space below, record your complete model number, serial number, and purchase date. You can find this information on the model and serial number label located on the product.

Have this information available to help you obtain assistance or service more quickly whenever you contact Sears concerning your appliance.

Model number \_\_\_\_\_

Serial number \_\_\_\_\_

Purchase date \_\_\_\_\_

**Save these instructions and your sales receipt for future reference.**

## PEDESTAL PRODUCT RECORD

In the space below, record your complete model number, serial number, and purchase date. You can find this information on the model and serial number label located on the product.

Have this information available to help you obtain assistance or service more quickly whenever you contact Sears concerning your pedestal.

Model number \_\_\_\_\_

Serial number \_\_\_\_\_

Purchase date \_\_\_\_\_

**Save these instructions and your sales receipt for future reference.**

# WASHER SAFETY

## Your safety and the safety of others are very important.

We have provided many important safety messages in this manual and on your appliance. Always read and obey all safety messages.



This is the safety alert symbol.

This symbol alerts you to potential hazards that can kill or hurt you and others.

All safety messages will follow the safety alert symbol and either the word "DANGER" or "WARNING."

These words mean:

**⚠ DANGER**

You can be killed or seriously injured if you don't immediately follow instructions.

**⚠ WARNING**

You can be killed or seriously injured if you don't follow instructions.

All safety messages will tell you what the potential hazard is, tell you how to reduce the chance of injury, and tell you what can happen if the instructions are not followed.

## IMPORTANT SAFETY INSTRUCTIONS

**WARNING:** To reduce the risk of fire, electric shock, or injury to persons when using the washer, follow basic precautions, including the following:

- Read all instructions before using the washer.
- Do not wash articles that have been previously cleaned in, washed in, soaked in, or spotted with gasoline, dry-cleaning solvents, other flammable, or explosive substances as they give off vapors that could ignite or explode.
- Do not add gasoline, dry-cleaning solvents, or other flammable, or explosive substances to the wash water. These substances give off vapors that could ignite or explode.
- Under certain conditions, hydrogen gas may be produced in a hot water system that has not been used for 2 weeks or more. **HYDROGEN GAS IS EXPLOSIVE.** If the hot water system has not been used for such a period, before using the washing machine, turn on all hot water faucets and let the water flow from each for several minutes. This will release any accumulated hydrogen gas. As the gas is flammable, do not smoke or use an open flame during this time.
- Do not allow children to play on or in the washer. Close supervision of children is necessary when the washer is used near children.
- Before the washer is removed from service or discarded, remove the door or lid.
- Do not reach into the washer if the drum, tub or agitator is moving.
- Do not install or store the washer where it will be exposed to the weather.
- Do not tamper with controls.
- Do not repair or replace any part of the washer or attempt any servicing unless specifically recommended in this manual or in published user-repair instructions that you understand and have the skills to carry out.
- See "Electrical Requirements" for grounding instructions.

**SAVE THESE INSTRUCTIONS**

# INSTALLATION REQUIREMENTS

## Tools and Parts

Gather the required tools and parts before starting installation. The parts supplied are in the washer drum.

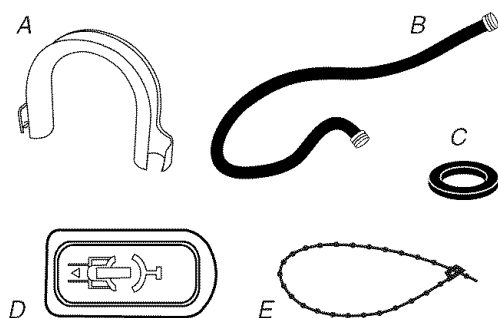
### Tools needed for connecting the water inlet hoses

- Pliers (that open to 1 $\frac{1}{8}$ " [39.5 mm])
- Flashlight (optional)

### Tools needed for installation

- Open end wrench 17 mm and 13 mm
- Level
- Wood block
- Ruler or measuring tape

### Parts supplied



- A. Drain hose form
- B. Inlet hose (2)
- C. Inlet hose washer (4)
- D. Transport bolt hole plug (4)
- E. Beaded strap

### Alternate Parts

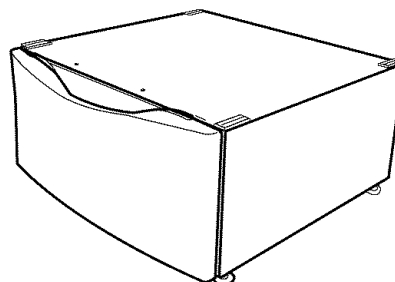
Parts listed are available from your local Sears store or Sears Service Center. For further information, please call **1-800-4-MY-HOME® (1-800-469-4663)**.

If You Have	You Will Need to Buy
Laundry tub or standpipe taller than 96" (2.4 m)	Sump pump system (if not already available)
Overhead sewer	Standard 20 gal. (76 L), 30" (76.2 cm) tall drain tub or utility sink and sump pump (available from local plumbing suppliers)
Floor drain	Siphon break, Part Number 285834; additional drain hose, Part Number 8318155; and connector kit, Part Number 285835
Drain hose too short	4 ft (1.2 m) drain hose extension kit, Part Number 285863
Water faucets beyond reach of fill hoses	2 longer water fill hoses: 6 ft (1.8 m) Part Number 76314, 10 ft (3.0 m) Part Number 350008

## Options

### Pedestal

You have the option of purchasing pedestals of different heights separately for this washer. You may select a 13" (33 cm) or a 15.5" (39.4 cm) pedestal. Remember that the pedestal will add to the total height of the washer.



Optional pedestal

This pedestal (with storage drawer) is available in several colors. To order, call your local Sears store. For further information, please call **1-800-4-MY-HOME® (1-800-469-4663)**.

Pedestal Height	Approximate Height with Washer	Color	Part Number
13" (33 cm)	51" (130 cm)	White	42842
13" (33 cm)	51" (130 cm)	Bisque	42844
13" (33 cm)	51" (130 cm)	Graphite	42846
15.5" (39.4 cm)	53" (135 cm)	White	55842
15.5" (39.4 cm)	53" (135 cm)	Bisque	55844
15.5" (39.4 cm)	53" (135 cm)	Graphite	55846
15.5" (39.4 cm)	53" (135 cm)	Pacific Blue	55847
15.5" (39.4 cm)	53" (135 cm)	Champagne	55848
15.5" (39.4 cm)	53" (135 cm)	Sedona	55849

### Stack Kit

Are you planning to stack your Kenmore washer and dryer? To do so, find the stack kit (8541503) in the drum of the matching Kenmore dryer. Follow instructions included with the kit. See "Location Requirements."

## Location Requirements

Selecting the proper location for your washer improves performance and minimizes noise and possible washer “walk.” Your washer can be installed under a custom counter, or in a basement, laundry room, closet, or recessed area. See “Drain System.”

Companion appliance location requirements should also be considered. Proper installation is your responsibility.

### You will need

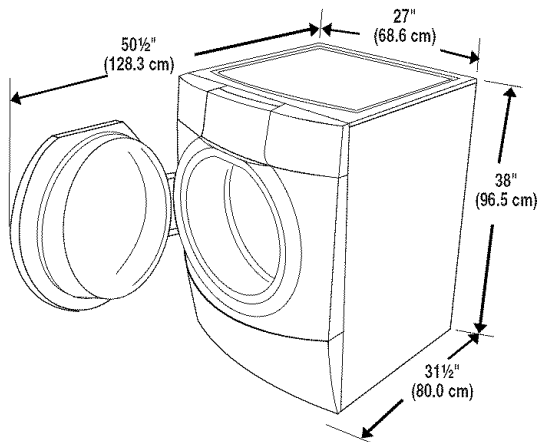
- A water heater set to deliver 120°F (49°C) water to the washer.
- A grounded electrical outlet located within 6 ft (1.8 m) of where the power cord is attached to the back of the washer. See “Electrical Requirements.”
- Hot and cold water faucets located within 4 ft (1.2 m) of the hot and cold water fill valves, and water pressure of 20-100 psi (137.9-689.6 kPa).
- A level floor with a maximum slope of 1" (2.5 cm) under entire washer. Installing the washer on soft floor surfaces, such as carpets or surfaces with foam backing, is not recommended.
- A sturdy and solid floor to support the washer with a total weight (water and load) of 400 lbs (180 kg).

Do not operate your washer in temperatures below 32°F (0°C). Some water can remain in the washer and can cause damage in low temperatures.

### Installation clearances

- The location must be large enough to allow the washer door to be fully opened.
- Additional spacing should be considered for ease of installation and servicing.
- Additional clearances might be required for wall, door, and floor moldings.
- Additional spacing of 1" (2.5 cm) on all sides of the washer is recommended to reduce noise transfer.
- Companion appliance spacing should also be considered.

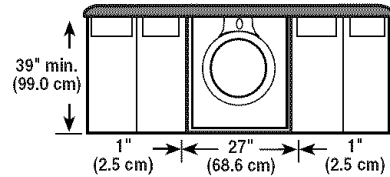
### Washer Dimensions



### Recommended installation spacing for custom undercounter installation

The dimensions shown are for the recommended spacing.

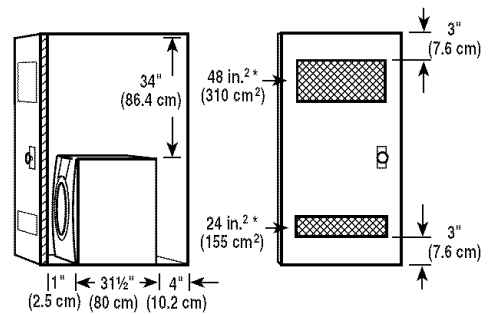
#### Custom undercounter installation - Washer only



### Recommended installation spacing for recessed or closet installation, with or without a pedestal

The dimensions shown are for the recommended spacing.

#### Recessed area or closet installation



A

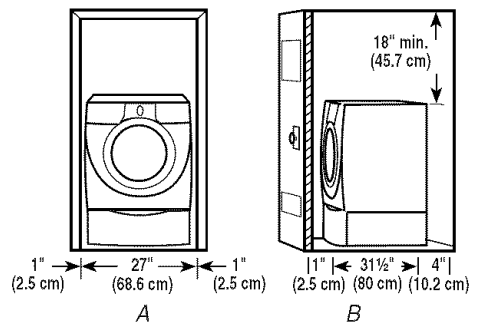
B

A. Side view - closet or confined area

B. Closet door with vents

\*Min. top and bottom air openings for closet door.

#### Recessed or closet installation - Washer on pedestal



A

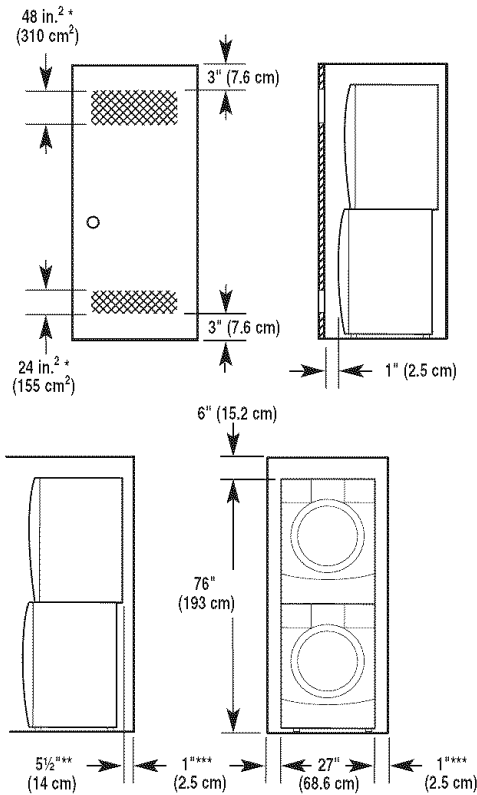
B

A. Recessed area

B. Side view - closet or confined area

## Recommended installation spacing for recessed or closet installation, with stacked washer and dryer

The dimensions shown are for the recommended spacing.



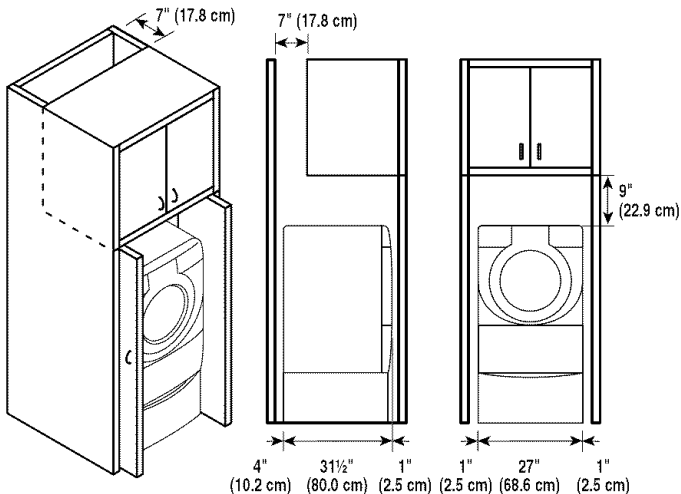
\*Min. top and bottom air openings for closet door.

\*\*External exhaust elbow requires additional space.

\*\*\*Wall, door and floor molding may require additional spacing.

## Recommended installation spacing for cabinet installation

- The dimensions shown are for the recommended spacing.
- For cabinet installation, with a door, the minimum ventilation openings in the top are required.



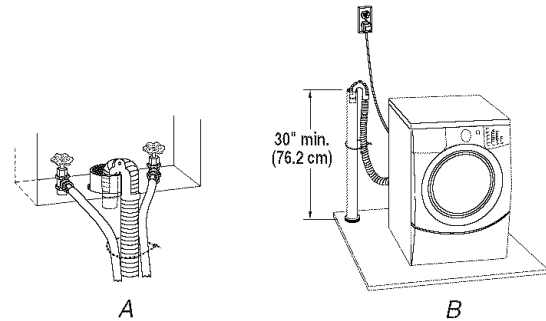
## Drain System

The washer can be installed using the standpipe drain system (floor or wall), the laundry tub drain system, or the floor drain system. Select the drain hose installation method you need. See "Tools and Parts."

### Standpipe drain system - wall or floor (views A & B)

The standpipe drain requires a minimum diameter standpipe of 2" (5 cm). The minimum carry-away capacity can be no less than 17 gal. (64 L) per minute.

The top of the standpipe must be at least 30" (76.2 cm) high and no higher than 96" (2.4 m) from the bottom of the washer.



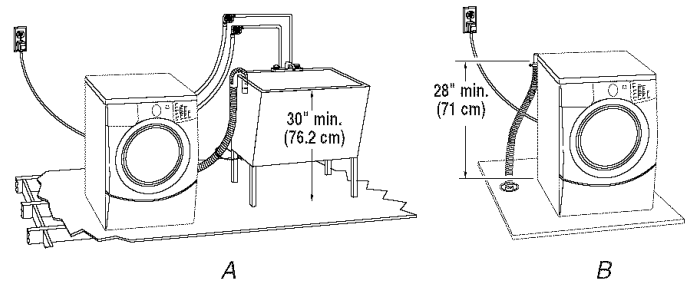
### Laundry tub drain system (view A)

The laundry tub needs a minimum 20 gal. (76 L) capacity. The top of the laundry tub must be at least 30" (76.2 cm) above the floor.

### Floor drain system (view B)

The floor drain system requires a siphon break that may be purchased separately. See "Tools and Parts."

The siphon break must be a minimum of 28" (71 cm) from the bottom of the washer. Additional hoses might be needed.



## Electrical Requirements

### **⚠ WARNING**



#### **Electrical Shock Hazard**

**Plug into a grounded 3 prong outlet.**

**Do not remove ground prong.**

**Do not use an adapter.**

**Do not use an extension cord.**

**Failure to follow these instructions can result in death, fire, or electrical shock.**

- A 120 volt, 60 Hz., AC only, 15- or 20-amp, fused electrical supply is required. A time-delay fuse or circuit breaker is recommended. It is recommended that a separate circuit serving only this appliance be provided.
- This washer is equipped with a power supply cord having a 3 prong grounding plug.
- To minimize possible shock hazard, the cord must be plugged into a mating, 3 prong, grounding-type outlet, grounded in accordance with local codes and ordinances. If a mating outlet is not available, it is the personal responsibility and obligation of the customer to have the properly grounded outlet installed by a qualified electrician.
- If codes permit and a separate ground wire is used, it is recommended that a qualified electrician determine that the ground path is adequate.

- Do not ground to a gas pipe.
- Check with a qualified electrician if you are not sure the washer is properly grounded.
- Do not have a fuse in the neutral or ground circuit.

### **GROUNDING INSTRUCTIONS**

#### **For a grounded, cord-connected washer:**

This washer must be grounded. In the event of a malfunction or breakdown, grounding will reduce the risk of electrical shock by providing a path of least resistance for electric current. This washer is equipped with a cord having an equipment-grounding conductor and a grounding plug. The plug must be plugged into an appropriate outlet that is properly installed and grounded in accordance with all local codes and ordinances.

**WARNING:** Improper connection of the equipment-grounding conductor can result in a risk of electric shock. Check with a qualified electrician or serviceman if you are in doubt as to whether the appliance is properly grounded.

Do not modify the plug provided with the appliance – if it will not fit the outlet, have a proper outlet installed by a qualified electrician.

#### **For a permanently connected washer:**

This washer must be connected to a grounded metal, permanent wiring system, or an equipment grounding conductor must be run with the circuit conductors and connected to the equipment-grounding terminal or lead on the appliance.



# INSTALLATION INSTRUCTIONS

## Remove Transport System

### **⚠ WARNING**

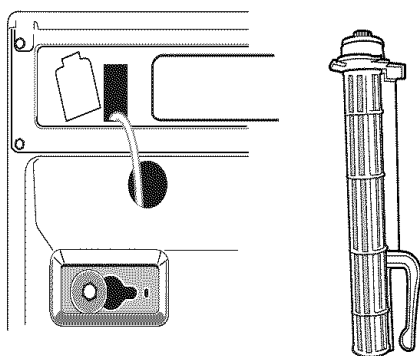
#### **Excessive Weight Hazard**

**Use two or more people to move and install washer.**

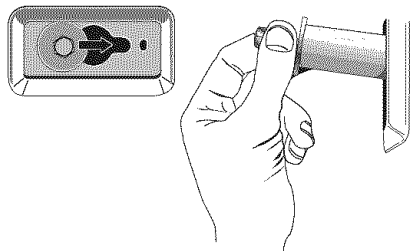
**Failure to do so can result in back or other injury.**

**IMPORTANT:** Position the washer so that the rear of the washer is within approximately 3 ft (90 cm) of its final location.

There are 4 bolts in the rear panel of the washer that support the suspension system during transportation. These bolts also retain the power cord inside the washer until the bolts are removed.



1. Using a 13 mm wrench, loosen each of the bolts.
2. Once the bolt is loose, move it to the center of the hole and completely pull out the bolt, including the plastic spacer covering the bolt.



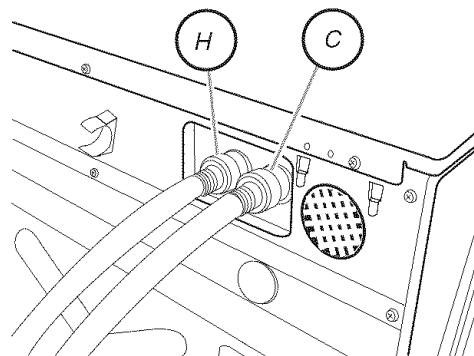
3. Once all 4 bolts are removed, discard the bolts and spacers. Then pull the power cord through the opening of the rear panel and close the hole with the attached cap.
4. Close the bolt holes with the 4 transport bolt hole plugs.

**NOTE:** If the washer is to be transported at a later date, call your local service center. To avoid suspension and structural damage to your washer, it must be properly set up for relocation by a certified technician.

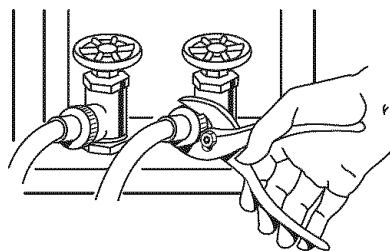
## Connect the Inlet Hoses

Make sure the washer drum is empty.

1. Attach the hose with the red color indicator to the Hot (left) inlet valve. Attaching the red coupling first makes it easier to tighten connection with pliers. Screw on coupling by hand until it is seated on the washer.
2. Attach the hose with the blue color indicator to the Cold (right) water inlet valve. Screw on coupling by hand until it is seated on the washer.



3. Using pliers, check the tightness of the hose couplings already attached to the washer.  
**NOTE:** Do not overtighten. Damage to the coupling can result.
4. Attach the hose with the red color indicator to the hot water faucet. Screw on coupling by hand until it is seated on the washer.
5. Attach the hose with the blue color indicator to the cold water faucet. Screw on coupling by hand until it is seated on the washer.
6. Using pliers, tighten the couplings with an additional two-thirds turn.



7. Turn on the water faucets and check for leaks.  
**NOTE:** Replace inlet hoses after 5 years of use to reduce the risk of hose failure. Record hose installation or replacement dates on the hoses for future reference.

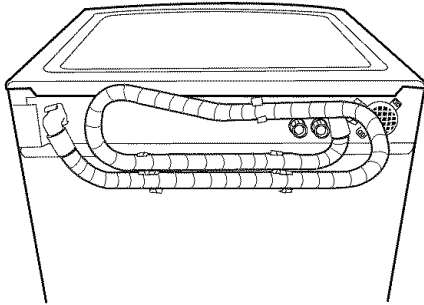
Periodically inspect and replace hoses if bulges, kinks, cuts, wear, or leaks are found.

## Route the Drain Hose

Proper routing of the drain hose protects your floors from damage due to water leakage. Read and follow these instructions.

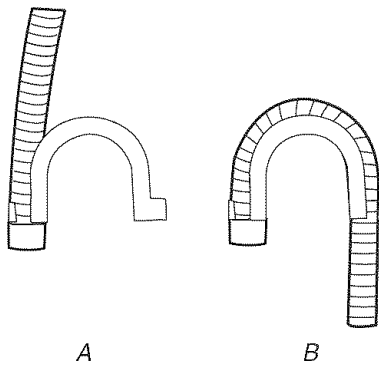
### Remove drain hose from washer cabinet

Gently pull the corrugated drain hose from the shipping clips.



### Laundry tub drain or standpipe drain

Connect the drain hose form to the corrugated drain hose.



A. Snap either end of the drain hose form to the drain hose at the point where the corrugation begins.

B. Bend drain hose over drain hose form and snap into place.

### To keep drain water from going back into the washer:

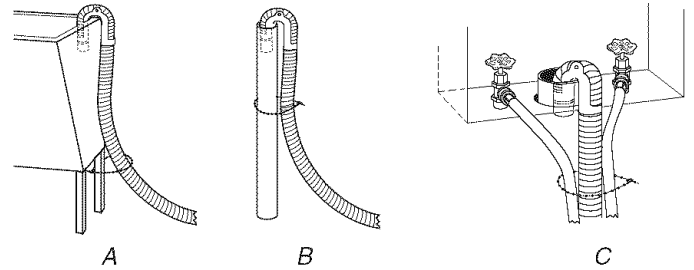
- Do not straighten the drain hose, and do not force excess drain hose into standpipe. Hose should be secure, but loose enough to provide a gap for air.
- Do not lay excess hose on the bottom of the laundry tub.

### Floor drain

You may need additional parts. See Floor drain under "Tools and Parts."

## Secure the Drain Hose

1. Drape the power cord over the washer top.
2. Secure the drain hose to the laundry tub leg or standpipe with the beaded strap provided. (See illustrations A and B.)



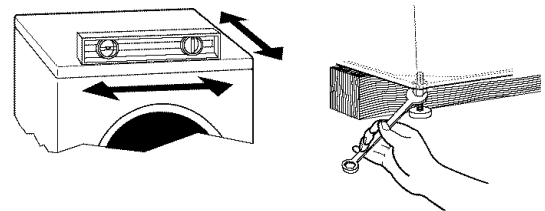
If the washer faucets and the drain standpipe are recessed (see illustration C), put the hooked end of the drain hose in the standpipe. Tightly wrap the beaded strap around the water inlet hoses and the drain hose.

Do not force excess drain hose into the standpipe.

## Level the Washer

Properly leveling your washer avoids excessive noise and vibration.

1. Check the levelness of the washer by placing a level on the top edge of the washer, first side to side, then front to back.



If the washer is against a wall, move the washer out slightly before tipping back. If the washer is not level, first prop the front with a wood block and adjust the feet as necessary; then prop the back and adjust feet as necessary. Repeat this step until washer is level.

2. Make sure that all four feet are stable and resting on the floor. Then check that the appliance is perfectly level (use a level).
3. After the washer is level, use a 17 mm open-end wrench to turn the nuts on the feet tightly against the washer cabinet.

**IMPORTANT:** All 4 feet must be tightened. If the nuts are not tight against the washer cabinet, the washer may vibrate.

When you are pushing on the edges of the washing machine top plate, the machine should not move front to back, side to side, or diagonally.

4. Slide the washer to its final location.
5. Confirm the levelness of the washer.

## Complete Installation

1. Check the electrical requirements. Be sure that you have the correct electrical supply and the recommended grounding method. See “Electrical Requirements.”
2. Be sure all parts are now installed. If there is an extra part, go back through the steps to see which step was skipped.
3. Be sure you have all of your tools.
4. Dispose of/recycle all packaging materials.
5. Be sure the water faucets are on.
6. Check for leaks around faucets and inlet hoses.

### **⚠ WARNING**



#### **Electrical Shock Hazard**

**Plug into a grounded 3 prong outlet.**

**Do not remove ground prong.**

**Do not use an adapter.**

**Do not use an extension cord.**

**Failure to follow these instructions can result in death, fire, or electrical shock.**

7. Plug into a grounded 3 prong outlet.
8. Read “Washer Use.”
9. To test and to clean your washer, measure ½ the manufacturer’s recommended amount of powdered or liquid High Efficiency (HE) detergent for a medium size load. Pour the detergent into the detergent dispenser. Select NORMAL/CASUAL, and then select START. Allow the washer to complete one whole cycle.



*Use only HE High Efficiency detergent.*

## FEATURES AND BENEFITS

### **SENSOR SMART™ Electronic Controls**

Flexible electronic controls are easy to use whether you are a beginner or an expert.

### **Smart Dispensers**

The smart dispensers make your washer truly automatic. This washer provides a three-compartment dispenser which includes separate compartments for detergent, fabric softener, and bleach. The dispenser has large pour zones. The dispenser is self-cleaning, and can be easily removed. Laundry additives are diluted with fresh water and added to the load at the proper time in the wash cycle.

### **Auto Water Level**

Adjusting to the size of the load, this feature allows the washer to use the minimal amount of water needed to clean and rinse the clothes. With a low water level, you can obtain the same results with smaller amounts of additives. Because only the required amount of water is used, the washer saves energy, too.

### **CATALYST® Cleaning Action with Direct Injection**

A concentrated detergent solution is sprayed onto the clothes at the beginning of the cycle to ensure that the detergent comes into contact with the clothes as quickly as possible, to help remove stains from your clothes without pretreating.

### **Larger Load Size**

Since there is no agitator, you can wash larger, bulkier items such as an average size sleeping bag. You are also able to wash more clothes at one time, which means fewer loads. You can wash a pillow or a large stuffed teddy bear.

### **Suspension System**

To reduce washer “walk” and “off-balance” conditions, your new washer combines:

- 2 Springs to isolate vibration
- 4 Shock absorbers at the washer base to minimize movement

### **Stainless Steel Drum**

The stainless steel drum eliminates corrosion and enables higher spin speeds for more water extraction, reducing drying time.

### **Adaptive Variable Speed Motor**

The motor adapts to the load size and to the cycle selected to give optimum cleaning, rinsing, and spinning conditions. The motor can handle slow speeds needed for washable wool and delicate items and is powerful enough to drive a large clothes load into a 1,050 rpm spin.

### **High-Efficiency Wash System**

Your new front-loading, high-efficiency washer saves time with fewer, larger loads, conserves resources and lowers your water and energy bills too.

### **Spin Speeds**

This washer automatically selects the spin speed based on the cycle selected. This factory setting can be changed, however. This washer offers up to five different spin speed choices.

### **Automatic Temperature Control (ATC)**

ATC electronically senses and maintains a uniform water temperature. ATC regulates incoming hot and cold water. The ATC is automatically turned On when a cycle is selected.

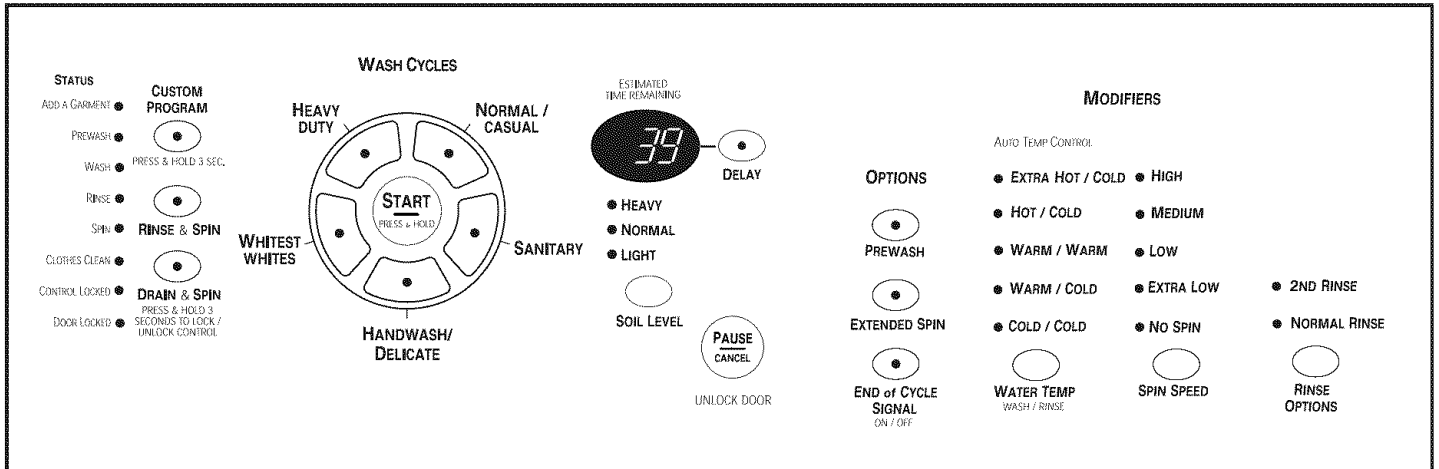
### **Add A Garment**

When this option is available at the beginning of the cycle the Add A Garment status light will glow for the first 8 minutes. This washer allows an 8-minute period in which forgotten garments may be added to a load.

### **Dynamic Balance**

A precision balancing system that allows the washer to reach spin speeds up to 1,050 rpm. The washer spins faster so that clothes coming out of the washer will dry faster. In addition, if the Dynamic Balance system detects off balance loads during spinning, it redistributes the clothes so that they are evenly balanced.

# WASHER USE



## Starting Your Washer

### WARNING



#### Fire Hazard

Never place items in the washer that are dampened with gasoline or other flammable fluids.

No washer can completely remove oil.

Do not dry anything that has ever had any type of oil on it (including cooking oils).

Doing so can result in death, explosion, or fire.

**WARNING:** To reduce the risk of fire, electric shock, or injury to persons, read the IMPORTANT SAFETY INSTRUCTIONS before operating this appliance.

The following is a guide to using your washer. Please refer to other sections of this manual for more detailed information.

Do not store laundry additives on the top surface of this washer. Vibration is normal during operation.

## Using the Proper Detergent

Use only High Efficiency detergents. The package for this type of detergent will be marked "HE" or "High Efficiency." This wash system, along with less water, will create too much sudsing with a regular non-HE detergent. Using regular detergent will likely result in washer errors, longer cycle times and reduced rinsing performance. It may also result in component failures and noticeable mold or mildew. HE detergents are made to produce the right amount of suds for the best performance. Follow the manufacturer's instructions to determine the amount of detergent to use.



Use only "HE" High Efficiency detergent.

## First Wash Cycle Without Laundry

Before washing clothes for the first time, choose the Normal/Casual cycle and run it without clothes. Use ½ the manufacturer's recommended amount of powdered or liquid High Efficiency (HE) detergent for a medium size load. This initial cycle serves to ensure the interior is clean before washing clothes.

### 1. To load the washer

Open the washer door by pulling on the handle. Sort laundry according to color and type of fabric. Place a load of sorted clothes in the washer. Do not overload washer. Overloading can cause poor cleaning.

- The washer can be fully loaded, but not tightly packed. Washer door should close easily.
- Mix large and small items. Avoid washing a single item. Load evenly.
- Wash small items, such as infant socks, in mesh garment bags. It is recommended that more than one garment bag be used and that each garment bag be filled with equal amounts of material.
- When unloading garments, occasionally check under the gray colored seal at the front of the tub for small items.

### 2. Close the washer door by pushing it firmly until the lock clicks. The washer door will remain locked during the wash cycle.

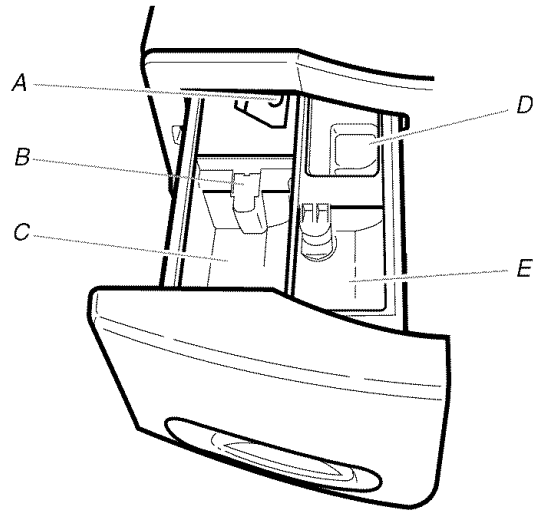
**NOTE:** After any wash cycle is completed, the door must be opened and then closed before a new cycle can begin. The door can be opened only if PAUSE/CANCEL is selected while the ADD A GARMENT light is glowing or if the cycle has been canceled. See "To cancel a cycle" in "Changing Cycles, Options and Modifiers" section.

3. Open the dispenser drawer and add laundry additives to the detergent, bleach, or fabric softener compartments. Close drawer slowly to avoid spills. See "Using the Dispenser."
4. Turn on the washer by selecting one of the WASH CYCLES. The indicator light for the selected cycle will glow. When selecting a Wash Cycle, the preset options, Water Temp, Spin Speed, and Soil Level for the selected cycle will glow. The display shows the estimated time remaining. The preset settings provide the recommended fabric care for the selected cycle. See "Cycles."
5. Select the desired OPTIONS. Not all Options are available with all cycles. See "Options."
6. Select the desired MODIFIERS. Not all Modifiers are available with all Cycles and Options. See "Modifiers."

7. If desired, select the END OF CYCLE SIGNAL. The signal is helpful when you are washing items that should be removed from the washer as soon as it stops. Select ON or OFF.
8. **To begin the wash cycle immediately**  
Select and hold START (for approximately 1 second).
  - If you do not select START within 5 minutes of choosing a cycle, the washer automatically shuts off.
  - When the wash cycle is complete, the CLOTHES CLEAN status light glows, the door unlocks, and the wash load can be removed from the washer. The washer powers down automatically 5 minutes after the cycle is complete and the CLOTHES CLEAN light goes off. To power down the washer manually after the wash cycle is complete, select PAUSE/CANCEL once.

9. **To begin the wash cycle later**  
Select DELAY until the desired delay time (in hours) shows in the Estimated Time Remaining display. Select START. The countdown to the wash cycle will show in the display window.  
**IMPORTANT:** When delaying a cycle, use only powdered detergents in the main wash compartment since liquid detergents may seep out of the compartment during Delay, before the wash cycle begins.

3. Push in the dispenser drawer slowly and completely (to avoid a spill).



Dispenser

- A. Dispenser release lever
- B. Separator
- C. Main Wash detergent compartment
- D. Liquid chlorine bleach compartment
- E. Fabric softener compartment

## Using the Dispenser

Your new washer has a dispenser drawer with three separate compartments for your laundry additives—one is for detergent, one is for liquid chlorine bleach, and one is for liquid fabric softener. Laundry additives are diluted and dispensed automatically at the proper time during the wash cycle, making it unnecessary for you to return to the washer during the cycle to add them.

It is normal for small amounts of water to remain in the dispensers when the wash cycle is complete.

Do not put laundry additives directly into the wash tub. Always use the proper dispensers when adding laundry additives.

### Choosing the Right Detergent

Use only High Efficiency detergents. The package for this type of detergent will be marked “HE” or “High Efficiency.” This wash system, along with less water, will create too much sudsing with a regular non-HE detergent. Using regular detergent will likely result in washer errors, longer cycle times and reduced rinsing performance. It may also result in component failures and noticeable mold or mildew. HE detergents are made to produce the right amount of suds for the best performance. Follow the manufacturer’s instructions to determine the amount of detergent to use.



Use only “HE” High Efficiency detergent.

### To fill dispenser compartments

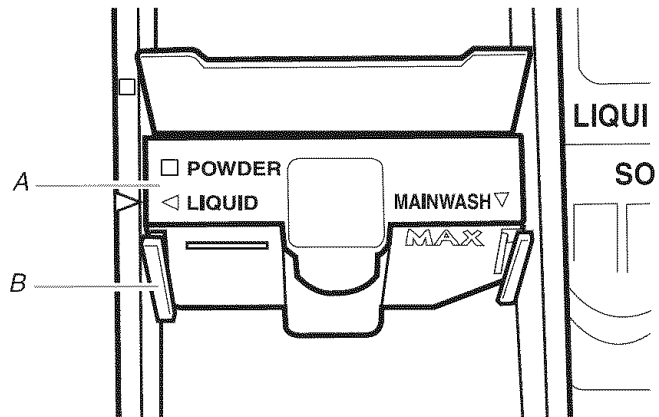
1. Pull out the dispenser drawer.
2. Add the desired laundry product to the proper compartment.

### Main Wash detergent compartment

(Letter C in Dispenser Illustration)

Add liquid or powdered HE detergent to this compartment for your wash cycle. The detergent separator must always be in place, either in the front or back position.

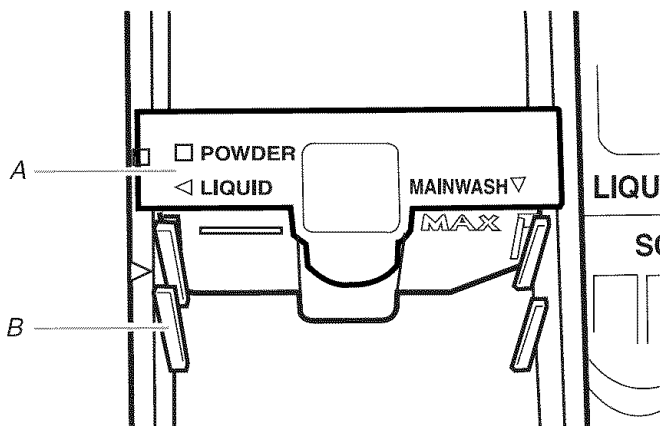
- When delaying a cycle, use only powdered detergents in the main wash compartment since liquid detergents may seep out of the compartment during Delay, before the wash cycle begins.
- Do not fill beyond the “MAX” level. Use detergent manufacturer’s recommended amount for load size.
- Liquid or powdered color-safe bleach may be added to the Main Wash detergent compartment along with the same type of detergent, liquid or powdered.
- Liquid detergent: Put the separator in the front position, between the guides, as shown following. There will be no gap between the bottom of the wash cycle detergent compartment and the bottom of the separator.



Separator in front position, between guides

- A. Separator
- B. Guide

- Powdered detergent: Put the separator in the back position, behind the guides, as shown following. There will be a gap between the bottom of the wash cycle detergent compartment and the bottom of the separator.



Separator in back position, behind guides

- A. Separator
- B. Guide

**NOTE:** The separator will be in the powder (back) position when shipped from the factory.

### Liquid chlorine bleach compartment

(Letter D in Dispenser Illustration)

Add no more than 1/3 cup (80 mL) liquid chlorine bleach to this compartment. The bleach will be automatically diluted and dispensed at the best time during the first rinse after the wash cycle. This compartment cannot dilute powdered bleach.

- Always measure liquid chlorine bleach. Use a measuring cup with a pour spout; do not guess.
- Do not fill beyond the "MAX" level.

**NOTE:** Overfilling could cause severe garment damage.

### Fabric softener compartment

(Letter E in Dispenser Illustration)

Add 1/4 cup (60 mL) liquid fabric softener to this compartment. Fabric softener will be automatically dispensed in the final rinse.

- Do not fill beyond the "MAX" level.

## Pausing or Restarting

1. To pause the washer at any time, select PAUSE/CANCEL.
2. To continue the cycle, select and hold START (for approximately 1 second).

## Changing Cycles, Options and Modifiers

Not all Options and Modifiers are available with all Cycles. Cycles, Options and Modifiers can be changed anytime before START is selected.

Options and Modifiers can be changed anytime after START is selected and before the start of the selected Option or Modifier.

### To cancel a cycle and select a new cycle

1. Select PAUSE/CANCEL twice.
2. Select desired cycle.
3. Select the desired OPTIONS or MODIFIERS.
4. Select and hold START (for approximately 1 second) to restart the washer at the beginning of the new cycle.

### To cancel a cycle

1. Select PAUSE/CANCEL twice.
2. The washer powers down, the door unlocks, and clothes can be removed.

**NOTE:** If the water level or the temperature is too high, the washer will drain automatically before the door unlocks.

### To change Options and Modifiers after the cycle has started

1. Select PAUSE/CANCEL once.
2. Select the desired OPTIONS or MODIFIERS.
3. Select and hold START (for approximately 1 second) to continue the cycle.

### To drain the washer manually

1. Select PAUSE/CANCEL once.
2. Select DRAIN & SPIN.
3. Select and hold START (for approximately 1 second) to begin the drain.
4. When the spin is complete, the door unlocks. Items can be removed from the washer.

## Status Lights

These lights show which portion of the cycle the washer is operating. They also indicate when you can add an additional item to the wash cycle and when the controls are locked.

STATUS	
ADD A GARMENT	●
PREWASH	●
WASH	●
RINSE	●
SPIN	●
CLOTHES CLEAN	●
CONTROL LOCKED	●
DOOR LOCKED	●

### Adding items

This washer allows an 8-minute period in which forgotten garments may be added to the load. You can add items to the washer, if the ADD A GARMENT status light is glowing.

### To add items

1. Select PAUSE/CANCEL once. The washer door unlocks, and items can be added.
2. To continue the cycle, close the door and select and hold START (for approximately 1 second).
3. To unlock the door after the Add a Garment period, press Pause/Cancel twice. This will cancel the Wash Cycle.

### Clothes Clean

The Clothes Clean light stays on after the cycle is completed, until the door is opened. The washer will then power down.

### Locking controls

The Control Lock avoids unintended use of the washer. You can also use the control lock feature to avoid unintended cycle or option changes during a cycle. When CONTROL LOCKED is lit, all buttons are disabled except for Pause/Cancel and Start. You can lock the controls while the washer is operating.

### To lock the controls

Select and hold DRAIN & SPIN for 3 seconds.



The CONTROL LOCKED status light glows.

### To unlock the controls

Select and hold DRAIN & SPIN for 3 seconds until the CONTROL LOCKED Status light turns off.

### Door Lock

When the status light glows, the door is locked.

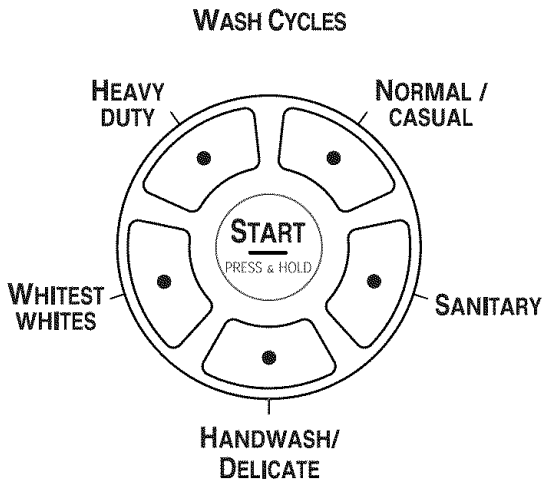
### Estimated Time Remaining

The cycle times vary automatically based on your water pressure, water temperature, detergent, and clothes load. The cycle time will be extended if oversudsing occurs or the load is unbalanced. The SUDs routine removes extra suds and assures proper rinsing of your garments. During the unbalance routine, the time displayed may pause until this activity is complete, then resume with the remainder of the cycle.

## Cycles

### Wash Cycles

Choose Wash Cycles by selecting the button next to the desired cycle. Each cycle is designed for different types of fabric and soil levels.



- Each cycle has a preset Soil Level (cycle time), Water Temperature, Spin Speed and may have preset Options. The preset settings provide the recommended fabric care for the selected cycle.
- The preset settings can be changed anytime before START is selected. Not all Options and Modifiers are available with all cycles. To change settings after the cycle has started, select PAUSE/CANCEL once, then select the desired settings. Select and hold START (for approximately 1 second) to continue the cycle.

### Preset cycle settings

Each cycle has a preset Cycle Time, Water Temperature, and Spin Speed. The preset settings provide the recommended fabric care for the selected cycle. See chart.

Cycle	Soil Level (hr:min)	Water Temp	Spin Speed
Whitest Whites	Heavy (1:10)	Hot/Cold	High
Heavy Duty	Heavy (1:00)	Hot/Cold	High
Normal/Casual	Normal (0:45)	Warm/Cold	High
Sanitary	Heavy (2:00)	Extra Hot/Cold	High
Handwash/Delicate	Normal (0:35)	Cold/Cold	Extra-Low
Rinse & Spin	Normal (0:20)	Cold/Cold	High
Drain & Spin	Normal (0:12)	N/A	High

### Whitest Whites

This cycle is especially designed for cleaning loads of soiled white fabrics with the addition of bleach. Hot washing temperatures assure optimal bleach activity. An additional rinse provides optimal rinse performance to avoid chlorine residues on your laundry. This cycle combines fast-speed tumbling, longer wash time, and high-speed spin to shorten drying time.

### Heavy Duty

Use this cycle to wash loads of sturdy, colorfast fabrics and heavily soiled garments. This cycle combines fast-speed tumbling, longer wash time, and high-speed spin to shorten drying times.

### Normal/Casual

Use this cycle to wash loads of no-iron fabrics such as sport shirts, blouses, casual business clothes, permanent press blends, cottons and linens, and synthetic fabrics. This cycle combines medium-speed tumbling, high-speed spin, and a load cooling process to reduce wrinkling.

### Sanitary

Use this cycle to clean heavily soiled colorfast fabrics. This cycle combines a very hot water temperature and fast-speed tumbling to help ensure the removal of heavy soils and stains. It is recommended that you set your hot water heater to 120°F (49°C) to ensure proper performance during this cycle. The Sanitary cycle also helps eliminate 99.999% of 3 common infectious bacteria, even when no bleach is used. Extra high speed spin helps shorten drying time.

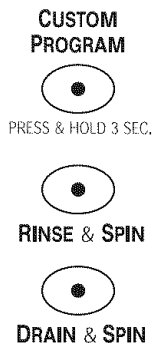
## Handwash/Delicate

Use this cycle to clean handwashable and special-care garments. This cycle combines low-speed tumbling and extra low speed spin for gentle fabric care.

- Use mesh garment bags to wash undergarments such as underwire bras, items with strings, and small items such as socks.

## Extra Cycles

Select the button for the desired cycle.



You can change the selection anytime before START is selected.

### Custom Program

Custom Program allows you to store a customized wash cycle for future use.

#### To Customize a Wash Cycle:

1. Select a cycle.
2. Select the desired OPTIONS.
3. Select the desired MODIFIERS.
4. To record the cycle press and hold Custom Program (approximately 3 seconds) until a beep sounds. The Custom Program cycle is now stored for future use.
5. Press START.

To reuse this cycle at another time, select CUSTOM PROGRAM and press START.

### Rinse & Spin

Use this cycle to get a rinse and spin only. This cycle combines fast-speed tumbling and high-speed spin. If desired, you can reduce the spin speed by selecting the speed you want from the SPIN SPEED modifier.

#### Rinse & Spin is useful for

- Loads that need rinsing only.
- Adding fabric softener to a load using the fabric softener dispenser.

### Drain & Spin

Use this cycle to drain your washer or to drain and spin your wash load. The spin speed is preset to high. If desired, you can reduce the spin speed by selecting the speed you want from the SPIN SPEED modifier.

**NOTE:** Loads of synthetics, delicate fabrics, handwashables, and washable woollens should be drained with no spin or low spin to avoid fabric stress.

## Normal Sounds

As with any new product, you will hear sounds that you are not accustomed to. You may hear various sounds when the door is locked and unlocked and during the washing, rinsing, and spinning process. Between changes in wash actions, there will be momentary pauses. You will hear water spraying and splashing during the wash and rinse cycles. These new sounds and pauses are part of normal washer operation. See "Troubleshooting."

## Options

You can customize your wash by adding options to your cycle selections. You can add or change an option after starting a cycle anytime before the selected option begins. Not all Options are available with all cycles.

### OPTIONS



- See the "Laundry Guide" section for an overview of possible options for each Wash Cycle selection.
- You can select more than one option for a cycle. Some options cannot be added to some cycles.
- If an option is available with a selected cycle, the light for that option will glow when selected.
- If an option is unavailable with a selected cycle, there will be a short tone, and the light for that option will not glow when selected.

### Prewash

Use this option for loads of heavily soiled garments that need pretreatment.

- Add detergent to the Main Wash compartment of the dispenser drawer.
- Use powdered detergent to avoid laundry additives from pre-dispensing into the wash system.

This option adds tumbling time prior to the selected main cycle. The washer continues automatically from prewash into the main wash cycle.

### Extended Spin

Use this option to add an additional spin to any cycle to improve drying times for some heavy fabrics or special-care items by reducing excess water, which may save energy.

### End of Cycle Signal

This signal is helpful when you are removing items from the washer as soon as it stops. Select ON or OFF.



## Modifiers

Preset cycle settings of Wash/Rinse Temp, Spin Speed, and Soil Level can be changed. You can change a modifier after starting a cycle anytime before the selected modifier begins. Not all Modifiers are available with all options and cycles.

### MODIFIERS

#### AUTO TEMP CONTROL

- EXTRA HOT / COLD ● HIGH
- HOT / COLD ● MEDIUM
- WARM / WARM ● LOW
- WARM / COLD ● EXTRA LOW ● 2ND RINSE
- COLD / COLD ● NO SPIN ● NORMAL RINSE



- To change the water temperature, select the WATER TEMP button until the desired setting glows.
- To change the spin speed, select the SPIN SPEED button until the desired setting glows.

- HEAVY
- NORMAL
- LIGHT



- To change cycle time, select SOIL LEVEL button.

### 2nd Rinse

A second rinse can be used to aid in the removal of detergent or bleach residue from garments. This option provides an additional rinse with the same water temperature as the first rinse. This is the default rinse setting for the Whitest Whites cycle.

### Normal Rinse

Consists of a two phase rinsing process that is effective for everyday laundry.

### Wash/Rinse Temp

Select a water temperature based on the type of load you are washing. Use the warmest wash water safe for fabrics. Follow garment label instructions.

Warm rinses leave the loads drier than cold rinses. Warm rinses increase wrinkling. In cold climates, a warm rinse makes the load more comfortable to handle. Cold rinses save energy.

### Temperature Guide

Wash Water Temperature	Suggested Fabrics
<b>EXTRA HOT</b>	Sturdy colorfast fabrics, Heavy soils
<b>HOT</b>	Whites and pastels Heavy soils
<b>WARM</b>	Bright colors Moderate to light soils
<b>COLD</b>	Colors that bleed or fade Light soils

*In wash water temperatures colder than 60°F (15.6°C), detergents do not dissolve well. Soils may be difficult to remove.*

### Auto Temp Control

ATC (Auto Temp Control) electronically senses and maintains a uniform water temperature. ATC regulates incoming hot and cold water. The ATC is automatically turned On when a cycle is selected. (See "Preset cycle settings" in "Cycles.")

- ATC works for the wash temperature with Extra Hot/Cold, Hot/Cold, Warm/Warm, Warm/Cold, and Cold/Cold settings.
- ATC works for the rinse temperature with the Warm/Warm setting.
- The Cold rinse temperatures depend on the cold water at your faucet.

## Laundry Guide

Refer to this chart for suggested load types and their corresponding cycles. Listed to the right are the options available within each of these washer cycles.

CYCLE	SUGGESTED LOAD TYPE	PREWASH	RINSE OPTIONS	EXTENDED SPIN
<b>Whitest Whites</b>	Soiled white fabrics	✓	✓	✓
<b>Heavy Duty</b>	Sturdy, colorfast fabrics and heavily soiled garments	✓	✓	✓
<b>Normal/Casual</b>	Normally soiled blouses, shirts, overalls, etc., made of polyester, nylon, cotton, linen, or cotton blends	✓	✓	✓
<b>Sanitary</b>	Heavily soiled underwear, towels, work clothes, diapers, etc.	✓	✓	✓
<b>Handwash/ Delicate</b>	Curtains and delicate clothing. Special-care items labeled "handwashable."		✓	

---

# LAUNDRY TIPS

## Preparing clothes for washing

Follow these recommendations to help you prolong the life of your garments.

- Use only High Efficiency detergents. The package for this type of detergent will be marked "HE" or "High Efficiency." This wash system, along with less water, will create too much sudsing with a regular non-HE detergent. Using regular detergent will likely result in washer errors, longer cycle times and reduced rinsing performance. It may also result in component failures and noticeable mold or mildew. HE detergents are made to produce the right amount of suds for the best performance. Follow the manufacturer's instructions to determine the amount of detergent to use.



*Use only HE High Efficiency detergent.*

- Close zippers, snaps, and hooks to avoid snagging other items. Remove pins, buckles, and other hard objects to avoid scratching the washer interior. Remove non-washable trim and ornaments.
- Empty pockets and turn them inside-out.
- Turn down cuffs; brush away lint and dirt.
- Turn synthetic knits inside-out to avoid pilling.
- Tie strings and sashes so they will not tangle.
- Mend tears, loose hems, and seams.
- Treat spots and stains.
- Stained or wet garments should be washed promptly for best results.
- Mix large and small items, avoid washing single items, and load evenly.
- Wash small items, such as infant socks, in a mesh garment bag. To create a balanced load it is recommended that more than one garment bag be used, and that each garment bag be filled with equal amounts of material.

**NOTE:** If you are washing only small items, it is recommended that more than one mesh garment bag be used, and that each garment bag be filled with equal amounts of material.

## Sorting

- Separate heavily soiled items from lightly soiled ones, even if they would normally be washed together. Separate lint-givers (towels, chenille) from lint-takers (corduroy, synthetics, permanent press). When possible, turn lint-givers inside-out.
- Separate dark colors from light colors, colorfast items from noncolorfast items.
- Sort by fabric and construction (sturdy cottons, knits, delicate items).

## Unloading

- Remove clothes from washer after the cycle is completed. Metal objects such as zippers, snaps, and buckles may rust if left in the washer basket for a long time.
- When unloading garments, occasionally check under the gray colored seal at the front of the tub for small items.

---

## Loading

---

### Loading suggestions (maximum size loads)

---

#### Heavy Work Clothes

4 jeans	2 sweatpants
4 workpants	2 sweatshirts
4 workshirts	

---

#### Towels

10 bath towels	14 washcloths
10 hand towels	

---

#### Mixed Load

3 sheets (1 king, 2 twin)	9 T-shirts
4 pillowcases	9 shorts
3 shirts	10 handkerchiefs
3 blouses	

---

#### Delicates

3 camisoles	2 bras
4 slips	2 nighties
4 panties	

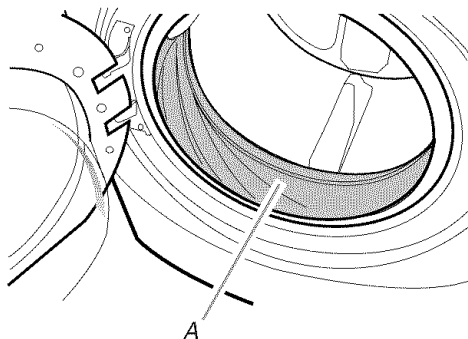
---

# WASHER CARE

## Cleaning Your Washer

### Cleaning the door seal

1. Open the washer door and remove any clothing or items from the washer.
2. Inspect the gray colored seal between the door opening and the basket for stained areas. Pull back the seal to inspect all areas under the seal and to check for foreign objects.



A. Seal

3. If stained areas are found, wipe down these areas of the seals, using the procedure that follows.
  - a) Mix a dilute solution, using  $\frac{3}{4}$  cup (177.4 mL) of liquid chlorine bleach, and 1 gal. (3.8 L) of warm tap water.
  - b) Wipe the seal area with the dilute solution, using a damp cloth.
  - c) Let stand 5 minutes.
  - d) Wipe down area thoroughly with a dry cloth and let the washer interior air dry with door open.

### IMPORTANT:

- Wear rubber gloves when cleaning for prolonged periods.
- Refer to the bleach manufacturer's instructions for proper use.

### Washer Monthly Maintenance Procedure

Your washer has a special cycle stored within the machine's programming. Pressing a specific combination of buttons will access this cleaning cycle. This cycle uses higher water volumes in combination with liquid chlorine bleach to thoroughly clean the inside of your washing machine.

### NOTES:

- Read these instructions completely before beginning the cleaning process.
- If necessary, the cleaning cycle may be interrupted by pressing the PAUSE/CANCEL button. However, this will not immediately stop the cycle. The machine will display "int" (interrupt) and continue with several rinse and drain steps to ensure that all remaining bleach is rinsed from the washer.

### Begin procedure

1. Open the washer door and remove any clothing or items from the washer.
2. Be sure the door is closed.

3. Open the dispenser drawer and remove the detergent divider from the Main Wash detergent compartment and set aside. See "Using the Dispenser" for instructions. No laundry additives will be added at this time; you will be required to add only liquid chlorine bleach, at a later step.
4. To enter the cycle, a specific combination of buttons must be pressed.

- Select the RINSE & SPIN button.
- Select Low SPIN SPEED.
- Select Warm/Cold WATER TEMPERATURE.
- Select the 2ND RINSE Option.
- Push END of CYCLE SIGNAL button 4 times within 5 seconds to start the cycle. The door will lock, and filling will begin.

**NOTE:** The water in the washer will dispense for a moment, then the door will unlock, lock again, and then the cycle will continue.

- The machine will fill and run a short sensing cycle. This will take approximately 3 minutes.
5. The washer will provide 4 short tones. Check the Estimated Time Remaining display for the codes indicated below.

- a) If the washer displays the letters "Ab" (Add Bleach) in the Estimated Time Remaining display, you will hear 4 short tones. Proceed to Step 6.
- b) If the washer displays the letters "rL" (Remove Load) in the Estimated Time Remaining display, an error tone will sound. The door will unlock.
  - Open the door and remove the items from the washer.
  - Continue the cycle by pressing the START button.

**NOTE:** The water in the washer will dispense for a moment, then the door will unlock, lock again, and then the cycle will continue with another check for items in the washer.

- The machine will fill and run a short cycle to determine whether any items have been left in the washer. This will take approximately 3 minutes.
- The washer will repeat Step 5 until it can determine that there are no items in the washer and will display "Ab" (Add Bleach).

6. Add liquid chlorine bleach.

- a) If using the maintenance procedure for the first time, open the dispenser drawer and immediately add 1 cup (236.6 mL) liquid chlorine bleach to the Main Wash detergent compartment. The liquid chlorine bleach should immediately flow out of the dispenser.
- b) If doing a monthly maintenance procedure, open the dispenser drawer and immediately add  $\frac{1}{3}$  cup (78.8 mL) liquid chlorine bleach to the Main Wash detergent compartment. The liquid chlorine bleach should immediately flow out of the dispenser.

### NOTES:

- Water will be flowing into the dispenser drawer when the bleach is added. This is normal.
- Do not add any detergent to this cleaning cycle. Use of more than 1 cup (236.6 mL) of bleach will cause product damage over time.

7. Once the cleaning cycle has begun, allow the cycle to complete. An estimated cycle time will appear on the display.
8. After the cleaning cycle is complete, leave the door open, slightly, to allow for better ventilation and drying of washer interior.
9. Replace the detergent compartment divider.

#### Always do the following to maintain washer freshness

- Use only HE High Efficiency detergent.
- Leave the door slightly open after each cycle to allow for better ventilation and drying of washer interior.
- Run this procedure on a monthly basis using 1/3 cup (78.8 mL) of liquid chlorine bleach.
- If the procedure does not sufficiently improve the machine freshness, evaluate your installation and usage conditions for other causes.

#### Cleaning the exterior

Use a soft damp cloth or sponge to wipe up any spills. Occasionally wipe the outside of your washer to keep it looking new. Use mild soap and water. Do not use abrasive products.

#### Cleaning the dispenser drawer

The dispenser drawer is removable for easy cleaning.

1. Unlock the dispenser drawer by pressing the Release Lever in the Prewash compartment. See "Using the Dispenser." Remove the drawer.
2. Remove the inserts (the siphon from the softener and bleach compartments and the separator).
3. Wash the parts under running water.
4. Replace the inserts and return the dispenser to the drawer.

### Water Inlet Hoses

Replace inlet hoses after 5 years of use to reduce the risk of hose failure. Periodically inspect and replace inlet hoses if bulges, kinks, cuts, wear or leaks are found.

When replacing your inlet hoses, record the date of replacement.

### Vacation, Storage and Moving Care

Install and store your washer where it will not freeze. Because some water may stay in the hoses, freezing can damage your washer. If storing or moving your washer during freezing weather, winterize it.

#### Non-use or vacation care:

Operate your washer only when you are at home. If you will be on vacation or not using your washer for an extended period of time, you should:

- Unplug washer or disconnect power.
- Turn off the water supply to the washer. This helps avoid unintended flooding (due to a water pressure surge) while you are away.
- Slightly open door to provide ventilation.

#### To winterize washer:

1. Put 1 qt (1 L) of R.V.-type antifreeze in the drum.
2. Run washer on a Drain & Spin cycle.
3. Unplug washer or disconnect power.
4. Shut off both water faucets.
5. Disconnect water inlet hoses from faucets and drain.

#### To use washer again:

1. Flush water pipes. Reconnect water inlet hoses to faucets. Turn on both water faucets.

## ⚠ WARNING



### Electrical Shock Hazard

**Plug into a grounded 3 prong outlet.**

**Do not remove ground prong.**

**Do not use an adapter.**

**Do not use an extension cord.**

**Failure to follow these instructions can result in death, fire, or electrical shock.**

2. Plug in washer or reconnect power.
3. Run the washer through the Normal/Casual cycle with 1/2 the manufacturer's recommended amount of HE detergent for a medium-size load, to clean the washer and remove the antifreeze, if used.

#### To transport the washer:

1. If washer will be moved during freezing weather, put in 1 qt (1 L) of R.V.-type antifreeze in the drum. Run washer on a Drain & Spin cycle.
2. Unplug the power cord.
3. Disconnect the drain hose from the drain system and attach to rear panel clips.
4. Shut off both water faucets.
5. Disconnect the water inlet hoses from faucets, then drain the hoses and clip them to the rear panel of the washer.

**IMPORTANT:** Call Service. Do not reuse transport bolts. Washer must be transported in the upright position. To avoid suspension and structural damage to your washer, it must be properly set up for relocation by a certified technician.

#### Reinstalling the washer

1. Follow the "Installation Instructions" to locate, level and connect the washer.
2. Run the washer through the Normal/Casual cycle with 1/2 the manufacturer's recommended amount of HE detergent for a medium-size load, to clean the washer and remove the antifreeze, if used.

# TROUBLESHOOTING

First try the solutions suggested here to possibly avoid the cost of a service call...

## Washer displaying code message and tone sounds

- **“FH” (Water Inlet Problem—no or insufficient water supply)**  
Select PAUSE/CANCEL twice to cancel the cycle. Unplug washer or disconnect power.  
**Check the following:**  
Are water faucets completely turned on?  
Are screens at inlet hose connection to washer clogged?  
Are water inlet hoses kinked?  
Are water inlet hoses frozen?  
Plug in washer or reconnect power. Re-select cycle and press START. If the problem remains, call for service.
- **“F02” (Drain Problem)**  
Select PAUSE/CANCEL twice to cancel the cycle. Unplug washer or disconnect power.  
**Check the following:**  
Is the drain hose kinked?  
Is the drain hose frozen?  
Is the drain hose clogged?  
Is the drain hose more than 96" (2.4 m) above the floor?
- **“SUD” (Suds Routine)**  
When excessive suds are detected, a suds routine automatically starts. This routine removes extra suds and assures proper rinsing of your garments. “SUD” is displayed during rinsing and at the end of the cycle to inform you that Suds Routine was activated. Use only HE (High Efficiency) detergents.
- **“F” Variables [other than FH and F02] (Electrical Problem)**  
Select PAUSE/CANCEL twice to cancel the cycle. Select DRAIN & SPIN if there is excessive water in the washer.  
Re-select cycle and press START. If the problem remains, call for service.

## Washer won't start

### ⚠ WARNING



#### Electrical Shock Hazard

- Plug into a grounded 3 prong outlet.
- Do not remove ground prong.
- Do not use an adapter.
- Do not use an extension cord.
- Failure to follow these instructions can result in death, fire, or electrical shock.

- **Check the following:**  
Is the power cord plugged into a grounded 3 prong outlet?  
Is the washer door firmly shut?  
Has a cycle been selected, but START has not been selected and held for 1 second?  
Was the door open after completion of last cycle?

## Washer won't fill, wash or rinse

- **Check the following:**  
Is the power cord plugged into a grounded 3 prong outlet?  
Is there power at the plug? Check electrical source or call electrician.  
Are the hot and cold water faucets turned on?  
Is the water inlet hose kinked?  
Are the water inlet valve screens clogged?

---

## Washer stops

---

- **Check the following:**
    - Is the power cord plugged into a grounded 3 prong outlet?
    - Is there power at the plug?
    - Check electrical source or call electrician.
    - Has a household fuse blown or has a circuit breaker tripped?
    - Replace the fuse, or reset the circuit breaker. If the problem continues, call an electrician.
    - Are you using an extension cord?
    - Do not use an extension cord.
- 

## Washer won't drain or spin

---

- **Is the drain hose clogged, or the end of the drain hose more than 96" (2.4 m) above the floor?**
  - **Is your voltage low?**
    - Check electrical source or call electrician. Do not use an extension cord.
  - **Is the "SUD" routine active?**
    - Cycle will complete once extra suds are removed.
  - **Is the load balanced?**
    - A single or bulky item may cause imbalance. Add more items or redistribute the load.
- 

## Washer makes noise or vibrates

---

- **Is the washer level?**
    - The washer must be level. The four feet should be properly installed, and the nuts should be tightened against the washer cabinet.
    - As water is drained from the washer, you may hear air being pulled through the pump. This happens during the end of draining. It is normal.
  - **Are you washing items with metal snaps, buckles or zippers?**
    - You may hear metal items touching the washer drum. This is normal.
  - **Is washer installed on a sturdy and solid floor?**
    - Refer to the "Installation Instructions" for flooring requirements. Noise and vibration may be reduced by placing a piece of ¾" (19.1 mm) plywood underneath your washer. The plywood may extend underneath both washer and dryer to keep them at equal heights.
- 

## Water near washer

---

- Check household plumbing for leaks.
- 

---

## Dispensers clogged or leaking

---

- **Are the laundry additives in the correct dispenser compartment?**
    - Add the correct amounts of detergent, fabric softener or liquid chlorine bleach to the correct compartments. Add powdered or liquid color-safe bleach to the detergent compartment.
    - Be sure to match powdered color-safe bleach with powdered detergent or match liquid color-safe bleach with liquid detergent.
  - **Is the detergent separator in the correct position?**
    - Separator should be in the front position when using liquid detergent and in the back position when using powdered detergent.
- 

## Washer odor

---

- See "Cleaning Your Washer."
  - **Are you using HE detergent?**
    - Use of non-HE detergent can cause a film residue which can result in odor.
  - **Did you leave the door open after use?**
    - This washer has a tight seal to avoid water leaks. To avoid odors leave the door open to allow the washer to dry between uses.
- 

## Load too wet

---

- **Did you use the right cycle for the load being washed?**
    - Select a cycle with a higher spin speed.
  - **Did you wash a single item or bulky items or have you overloaded the washer?**
    - A single item, bulky items, or overloading may cause imbalance. Add items or try to evenly distribute your wet laundry in the drum, and start a DRAIN & SPIN cycle. If the laundry is still wet, take half of the load out of the washer and try again.
- 

## Residue or lint on load

---

- **Did you add detergent to the dispenser?**
    - For best results, add detergent to the detergent compartment. Do not add detergent to the washer drum.
  - **Did you sort properly?**
    - Sort lint givers (towels, chenille) from lint takers (corduroy, synthetics). Also, sort by color.
  - **Did you overload the washer?**
    - Do not overload the washer. The washer can be fully loaded, but not tightly packed. The wash load must be balanced. Lint can be trapped in the load if overloaded.
-

- **Check the following:**  
Was paper or tissue left in pockets?
- **Did you use enough HE detergent?**  
Use enough detergent to remove lint and hold it in suspension. Use only HE detergent. Follow the manufacturer's instructions to determine the amount of detergent to use.
- **Is your water colder than 60°F (15.6°C)?**  
Wash water colder than 60°F (15.6°C) may not completely dissolve the detergent.
- **Are you using a low-speed wash cycle?**  
Powdered detergents may not dissolve well in a slow-speed cycle. For best results, use liquid detergent for slow-speed cycles such as Handwash/Delicate.

---

### Stains on load

---

- **Did you add detergent to the dispenser?**  
For best results, add detergent to the detergent compartment. Do not add detergent to the washer drum.
- **Did you use enough HE detergent?**  
Use enough detergent to remove soil and hold it in suspension. Use only HE detergent. Follow the manufacturer's instructions to determine the amount of detergent to use.
- **Is there above average iron (rust) in water?**  
You may need to install an iron filter.
- **Did you properly sort the load?**  
Sort dark clothes from whites and lights.
- **Did you unload the washer promptly?**  
To avoid dye transfer, unload the washer as soon as it stops.
- **Did you use a fabric softener dispensing ball?**  
Dispensing balls will not operate correctly with this washer. Add liquid fabric softener to the fabric softener compartment.
- **Did you use powdered detergent in a low-speed cycle?**  
Consider using liquid detergent.

---

### Load is wrinkled

---

- **Did you unload the washer promptly?**  
Unload the washer as soon as it stops.
- **Did you use the right cycle for the load being washed?**  
Use the Handwash/Delicate cycle or another cycle with a low-spin speed to reduce wrinkling.
- **Did you overload the washer?**  
The wash load must be balanced and not overloaded. Loads should tumble freely during washing.

---

### Gray whites, dingy colors

---

- **Did you properly sort the load?**  
Dye transfer can occur when mixing whites and colors in a load. Sort dark clothes from whites and lights.
- **Was the wash temperature too low?**  
Use hot or warm washes if safe for the load. Make sure your hot water system is adequate to provide a hot water wash.
- **Did you use enough detergent, or do you have hard water?**  
Use more detergent for washing heavy soils in cold or hard water.

---

### Cycle too long

---

- **Is "SUD" shown in the display?**  
Excessive sudsing has been detected, and a suds routine has been started to reduce excessive suds. This routine will add time to the original cycle.
- **Did the load cause imbalance?**  
When too much imbalance occurs, an imbalance routine will start to distribute the load. During the imbalance routine the time displayed may pause until this activity is complete, then resume with the remainder of the cycle.
- **Did you select the Handwash/Delicate wash cycle?**  
When using Handwash/Delicate wash cycle you should use small loads. This ensures a gentle wash for your garments without increasing cycle times.

---

### Door locked at end of wash cycle

---

- **Did all of the water drain out of the washer during the spin?**  
Select DRAIN & SPIN to remove any water remaining in the washer. The washer door will unlock at the end of the drain.

# ÍNDICE

<b>CONTRATOS DE PROTECCIÓN</b> .....	<b>24</b>
En los EE.UU. ....	24
En Canadá .....	25
<b>GARANTÍA</b> .....	<b>25</b>
<b>SEGURIDAD DE LA LAVADORA</b> .....	<b>27</b>
<b>REQUISITOS DE INSTALACIÓN</b> .....	<b>28</b>
Herramientas y piezas .....	28
Opciones .....	29
Requisitos de ubicación.....	29
Sistema de desagüe.....	31
Requisitos eléctricos .....	32
<b>INSTRUCCIONES DE INSTALACIÓN</b> .....	<b>33</b>
Eliminación del sistema de transporte.....	33
Conexión de las mangueras de entrada.....	33
Tendido de la manguera de desagüe .....	34
Fijación de la manguera de desagüe.....	34
Nivelación de la lavadora .....	34
Complete la instalación.....	34
<b>CARACTERÍSTICAS Y BENEFICIOS</b> .....	<b>35</b>
<b>USO DE LA LAVADORA</b> .....	<b>36</b>
Puesta en marcha de la lavadora.....	36
Uso de detergente adecuado .....	36
Uso del depósito .....	37
Pausa o reanudación de la marcha .....	38
Cambio de ciclos, opciones y modificadores.....	38
Luces de estado.....	39
Ciclos.....	39
Sonidos normales.....	41
Opciones .....	41
Modificadores.....	41
Guía para el lavado.....	42
<b>CONSEJOS DE LAVANDERÍA</b> .....	<b>43</b>
Cómo cargar.....	43
<b>CUIDADO DE LA LAVADORA</b> .....	<b>44</b>
Cómo limpiar su lavadora .....	44
Mangueras de entrada del agua .....	45
Cuidado durante las vacaciones, el almacenamiento y la mudanza.....	46
<b>SOLUCIÓN DE PROBLEMAS</b> .....	<b>47</b>
<b>NÚMEROS DE SERVICIO</b> .....	<b>CONTRAPORTADA</b>

# CONTRATOS DE PROTECCIÓN

En los EE.UU.

## Contratos Maestros de Protección

¡Felicitaciones por su inteligente adquisición! Su nuevo producto Kenmore® ha sido diseñado y fabricado para brindarle años de funcionamiento confiable. Pero al igual que todos los productos, puede necesitar mantenimiento preventivo o reparación de vez en cuando. Es allí donde el Contrato Maestro de Protección puede ahorrarle dinero e inconvenientes.

*Adquiera un Contrato Maestro de Protección hoy y protéjase contra molestias y gastos inesperados.*

El Contrato Maestro de Protección también ayuda a prolongar la vida de su nuevo producto. He aquí lo que se incluye en el Contrato:

- ✓ **Servicio experto** por nuestros 12.000 especialistas en reparación competentes
- ✓ **Servicio ilimitado y gratuito** para repuestos y mano de obra en todas las reparaciones protegidas por el contrato
- ✓ **Garantía “sin disgustos”** - reemplazo de su producto protegido si ocurren cuatro o más fallas del producto en el transcurso de doce meses
- ✓ **Reemplazo del producto** si su producto protegido no puede ser reparado
- ✓ **Revisión Anual de Mantenimiento Preventivo** a solicitud suya - sin costo adicional
- ✓ **Ayuda rápida por teléfono** - asistencia por teléfono a cargo de un técnico de Sears para productos que deban ser reparados en su hogar, además de un horario de reparación conveniente
- ✓ **Protección de sobrevoltaje** contra daños eléctricos debido a fluctuaciones de electricidad
- ✓ **Reembolso de la renta** si la reparación de su producto protegido tarda más de lo prometido

Una vez adquirido el Contrato, tan sólo tiene que llamar para fijar la visita de servicio técnico. Usted puede llamar a cualquier hora, de día o de noche, o fijar una visita técnica en internet.

Sears cuenta con un equipo de más de 12.000 especialistas en reparación competentes, quienes tienen a disposición más de 4,5 millones de piezas y accesorios de calidad. Ése es el tipo de profesionalismo con el que usted puede contar para ayudarle a prolongar la vida de su nuevo artefacto por muchos años más. ¡Adquiera hoy su Contrato Maestro de Protección!

**Se aplican algunas limitaciones y exclusiones. Para obtener precios e información adicional, llame al 1-800-827-6655.**

## Servicio de Instalación de Sears

Para la instalación profesional de Sears de artefactos electrodomésticos, abridores de puertas de garaje, calentadores de agua y otros artículos importantes de la casa, en los EE.UU. llame al **1-800-4-MY-HOME®**.



### Contratos de mantenimiento

Su compra adquiere un nuevo valor ya que usted puede confiar en Sears HomeCentral® para obtener servicio de reparación. Con más de 2.400 especialistas capacitados en reparaciones y acceso a más de un millón de piezas y accesorios, contamos con las herramientas, piezas, conocimiento y la destreza para asegurarnos de respaldar nuestra promesa de que: Reparamos lo que vendemos.

Su producto Kenmore® está diseñado, fabricado y sometido a prueba para proporcionarle años de funcionamiento confiable. No obstante, cualquier producto puede necesitar servicio técnico de vez en cuando. El contrato de mantenimiento Sears le ofrece un programa de servicio excepcional, a un precio accesible.

### El contrato de mantenimiento Sears

- Es la manera de comprar el servicio técnico del mañana a precios de hoy
- Elimina las facturas de reparación producidas por el uso normal y el desgaste
- Ofrece apoyo por teléfono a cargo de un técnico de Sears para los productos que deban ser reparados en el hogar
- Aún si usted no necesita reparaciones, proporciona una revisión anual de mantenimiento preventivo a solicitud suya, para asegurarse de que su producto está en condiciones apropiadas de funcionamiento.

**Se aplican ciertas restricciones. Para obtener más información referente a los Contratos de mantenimiento de Sears Canada, llame al 1-800-361-6665.**

# GARANTÍA DE LOS ELECTRODOMÉSTICOS Y LOS PEDESTALES OPCIONALES KENMORE ELITE®

### GARANTÍA LIMITADA DE UN AÑO

Cuando este electrodoméstico haya sido instalado, operado y mantenido según las instrucciones provistas con el producto, si este electrodoméstico falla por defectos de material o de mano de obra dentro de un año a partir de la fecha de compra, llame al 1-800-4-MY-HOME® para gestionar la reparación libre de cargo.

### GARANTÍA LIMITADA DE POR VIDA PARA EL TAMBOR DE ACERO INOXIDABLE

Durante la vida útil de la lavadora a partir de la fecha de compra, siempre y cuando esta lavadora haya sido instalada, operada y mantenida de conformidad con todas las instrucciones provistas con el producto, Sears reemplazará el tambor de lavado de acero inoxidable si tuviera defectos en los materiales o en la mano de obra. Después del primer año, el cliente asume la responsabilidad por cualquier costo de mano de obra relativa al reemplazo de esta pieza.

### GARANTÍA LIMITADA DE DIEZ AÑOS EN EL TAMBOR DE PLÁSTICO

Durante diez años a partir de la fecha de compra, siempre y cuando esta lavadora haya sido instalada, operada y mantenida de conformidad con todas las instrucciones provistas con el producto, Sears reemplazará el tambor de plástico si tuviera defectos en los materiales o en la mano de obra. Después del primer año, el cliente asume la responsabilidad por cualquier costo de mano de obra relativa al reemplazo de esta pieza.

### GARANTÍA LIMITADA DE CINCO AÑOS EN LAS PIEZAS DEL SISTEMA DE ACCIONAMIENTO

Durante cinco años a partir de la fecha de compra, siempre y cuando esta lavadora haya sido instalada, operada y mantenida de conformidad con todas las instrucciones provistas con el producto, Sears reemplazará las siguientes piezas del sistema de accionamiento si tuvieran defectos en los materiales o en la mano de obra: la polea de accionamiento y la correa de accionamiento. Después del primer año, el cliente asume la responsabilidad por cualquier costo de mano de obra relativa al reemplazo de estas refacciones.

### GARANTÍA LIMITADA DE DOS AÑOS PARA EL TABLERO ELECTRÓNICO SENSOR SMART™

Durante dos años a partir de la fecha de compra, siempre y cuando esta lavadora haya sido instalada, operada y mantenida de conformidad con todas las instrucciones provistas con el producto, Sears reemplazará el tablero de control electrónico si tuviera defectos en los materiales o en la mano de obra. Después del primer año, el cliente asume la responsabilidad por cualquier costo de mano de obra relativa al reemplazo de estas refacciones.

Si este electrodoméstico es empleado para algún otro uso que no sea el doméstico familiar, esta garantía sólo tiene vigencia por 90 días a partir de la fecha de compra.

**ESTA GARANTÍA CUBRE SOLAMENTE LOS DEFECTOS DE MATERIAL Y MANO DE OBRA. SEARS NO PAGARÁ POR LO SIGUIENTE:**

1. Los artículos no reutilizables que pueden gastarse por el uso normal, incluyendo, pero sin limitación, filtros, correas, focos y bolsas.
2. Un técnico de servicio para enseñarle al usuario cómo instalar, operar o mantener el producto adecuadamente.
3. Un técnico de servicio para limpiar o mantener este producto.
4. Daños a este producto o fallas del mismo en caso de no ser instalado, operado o mantenido conforme a todas las instrucciones provistas con el producto.
5. Daños a este producto o fallas del mismo como resultado de accidente, abuso, uso indebido o un uso diferente de aquel para el cual fue creado.
6. Daños a este producto o fallas del mismo causados por el uso de detergentes, limpiadores, productos químicos o utensilios diferentes de los recomendados en todas las instrucciones provistas con el producto.
7. Daños a piezas o sistemas o fallas de los mismos como resultado de modificaciones no autorizadas que se hayan efectuado en este producto.

**EXCLUSIÓN DE GARANTÍAS IMPLÍCITAS; LIMITACIÓN DE RECURSOS**

El único y exclusivo recurso del cliente según los términos de esta garantía limitada será el de reparar el producto según se estipula en la presente. Las garantías implícitas, incluyendo las garantías de comerciabilidad o de capacidad para un propósito particular, serán limitadas a un año o al período más corto permitido por ley. Sears no se hará responsable por daños incidentales o consecuentes. Algunos estados y provincias no permiten la exclusión o limitación de daños incidentales o consecuentes, o limitaciones acerca de cuánto debe durar una garantía implícita de comerciabilidad o capacidad, de modo que las limitaciones o exclusiones arriba mencionadas pueden no aplicarse en su caso.

Esta garantía se aplica sólo mientras este electrodoméstico se usa en los Estados Unidos y Canadá.

Esta garantía le otorga derechos legales específicos, y es posible que usted tenga también otros derechos, los cuales varían de un estado a otro.

**Sears, Roebuck and Co.**  
**Dept. 817WA, Hoffman Estates, IL 60179**  
**Sears Canada Inc.**  
**Toronto, Ontario, Canada M5B 2B8**

**REGISTRO DEL PRODUCTO**

En el espacio a continuación, anote el número completo de modelo y serie así como la fecha de compra. Usted puede encontrar esta información en la etiqueta con el número de modelo y de serie ubicada en el producto.

Tenga esta información disponible para facilitarle la obtención de asistencia o servicio con prontitud siempre que llame a Sears con respecto a su electrodoméstico.

Número de modelo \_\_\_\_\_.

Número de serie \_\_\_\_\_.

Fecha de compra \_\_\_\_\_.

**Guarde estas instrucciones y su comprobante de compra para referencia futura.**

**REGISTRO DE PRODUCTO DEL PEDESTAL**

En el espacio a continuación, anote el número completo de modelo y serie así como la fecha de compra. Usted puede encontrar esta información en la etiqueta con el número de modelo y de serie ubicada en el producto.

Tenga esta información disponible para facilitarle la obtención de asistencia o servicio con prontitud siempre que llame a Sears con respecto a su pedestal.

Número de modelo \_\_\_\_\_.

Número de serie \_\_\_\_\_.

Fecha de compra \_\_\_\_\_.

**Guarde estas instrucciones y su comprobante de compra para referencia futura.**

# SEGURIDAD DE LA LAVADORA

## Su seguridad y la seguridad de los demás es muy importante.

Hemos incluido muchos mensajes importantes de seguridad en este manual y en su electrodoméstico. Lea y obedezca siempre todos los mensajes de seguridad.



Este es el símbolo de advertencia de seguridad.

Este símbolo le llama la atención sobre peligros potenciales que pueden ocasionar la muerte o una lesión a usted y a los demás.

Todos los mensajes de seguridad irán a continuación del símbolo de advertencia de seguridad y de la palabra "PELIGRO" o "ADVERTENCIA". Estas palabras significan:

**⚠ PELIGRO**

Si no sigue las instrucciones de inmediato, usted puede morir o sufrir una lesión grave.

**⚠ ADVERTENCIA**

Si no sigue las instrucciones, usted puede morir o sufrir una lesión grave.

Todos los mensajes de seguridad le dirán el peligro potencial, le dirán cómo reducir las posibilidades de sufrir una lesión y lo que puede suceder si no se siguen las instrucciones.

## INSTRUCCIONES IMPORTANTES DE SEGURIDAD

**ADVERTENCIA:** Para reducir el riesgo de incendio, choque eléctrico o lesiones a personas al usar su lavadora, siga las precauciones básicas, incluyendo las siguientes:

- Lea todas las instrucciones antes de usar la lavadora.
- No lave artículos que hayan sido previamente limpiados, lavados, remojados o humedecidos con gasolina, solventes para lavar en seco, u otras sustancias inflamables o explosivas ya que éstas emanan vapores que podrían encenderse o causar una explosión.
- No agregue gasolina, solventes para lavar en seco, u otras sustancias inflamables o explosivas al agua de lavado. Estas sustancias emanan vapores que podrían encenderse o causar una explosión.
- En ciertas condiciones, puede generarse gas hidrógeno en un sistema de agua caliente que no se haya usado por dos semanas o un período mayor. **EL GAS HIDRÓGENO ES EXPLOSIVO.** Si no se ha usado el agua caliente durante dicho período, antes de usar la lavadora, abra todos los grifos de agua caliente y deje que corra el agua por varios minutos. Esto liberará todo el gas hidrógeno que se haya acumulado. Debido a la inflamabilidad de dicho gas, no fume ni use una llama abierta durante este lapso.
- No permita que los niños jueguen encima o dentro de la lavadora. Es necesario una supervisión cuidadosa de los niños toda vez que se use la lavadora cerca de ellos.
- Antes de poner la lavadora fuera de servicio o desecharla, quítele la puerta o la tapa.
- No introduzca las manos en la lavadora si el tambor, la tina, o el agitador están funcionando.
- No instale ni almacene esta lavadora donde pudiese estar sometida a la intemperie.
- No trate de forzar los controles.
- No repare ni cambie pieza alguna de la lavadora ni intente realizar tarea alguna de servicio técnico, excepto cuando así se le indique específicamente en este manual o en instrucciones de reparación para el usuario publicadas, que usted entienda y para cuya ejecución cuente con la habilidad necesaria.
- Para obtener información respecto a los requisitos de conexión a tierra, refiérase a los "Requisitos Eléctricos".

**GUARDE ESTAS INSTRUCCIONES**

# REQUISITOS DE INSTALACIÓN

## Herramientas y piezas

Reúna las herramientas y piezas necesarias antes de comenzar la instalación. Las piezas provistas están en el tambor de la lavadora.

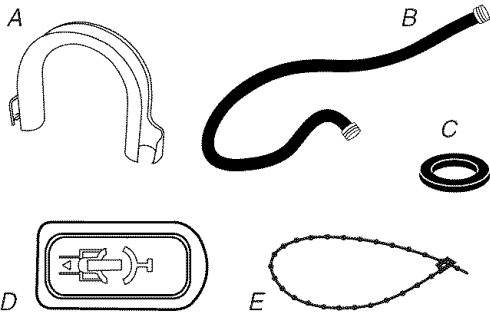
### Herramientas necesarias para la conexión de las mangueras de entrada del agua

- Alicates (que se abran a 1 $\frac{1}{16}$ " [39,5 mm])
- Linterna (opcional)

### Herramientas necesarias para la instalación

- Llaves de boca de 17 mm y 13 mm
- Nivel
- Bloque de madera
- Regla o cinta de medir

### Piezas proporcionadas



A. Molde de la manguera de desagüe

B. Mangueras de entrada (2)

C. Arandelas de las mangueras de entrada (4)

D. Tapón para orificios de pernos de transporte (4)

E. Fleje rebordeado

### Piezas alternativas

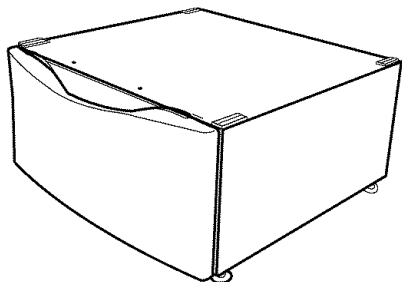
Las piezas aquí enumeradas se pueden adquirir en la tienda Sears o en el Centro de Servicio Sears de su localidad. Para más información, llame por favor al **1-800-4-MY-HOME® (1-800-469-4663)**.

Si tiene	Necesitará adquirir
Un lavadero o tubo vertical a una altura mayor de 96" (2,4 m)	Sistema de bomba de sumidero (si ya no está disponible)
Una alcantarilla suspendida	Un tanque de desagüe normal o un lavadero de uso general de 20 gal. (76 L) y 30" (76,2 cm) de altura y una bomba de sumidero (en venta en establecimientos de fontanería locales)
Un desagüe por el piso	Desviación del sifón, Pieza Número 285834; manguera de desagüe adicional, Pieza No. 8318155; y juego de conectores, Pieza Número 285835
Una manguera de desagüe muy corta	Juego de extensión para manguera de desagüe de 4 pies (1,2 m), Pieza No. 285863
Grifos del agua fuera del alcance de las mangueras de llenado	2 mangueras de llenado de agua más largas: 6 pies (1,8 m) Pieza Número 76314, 10 pies (3,0 m) Pieza Número 350008

## Opciones

### Pedestal

Usted tiene la opción de comprar por separado pedestales de alturas diferentes para esta lavadora. Puede seleccionar un pedestal de 13" (33 cm) o uno de 15,5" (39,4 cm). Recuerde que el pedestal se agregará a la altura total de la lavadora.



*Pedestal opcional*

Este pedestal (con cajón de almacenaje) está disponible en varios colores.

Para hacer su pedido, llame a la tienda local de Sears. Para obtener más información, sírvase llamar al **1-800-4-MY-HOME® (1-800-469-4663)**.

Altura del pedestal	Altura aproximada con la lavadora	Color	Número de pieza
13" (33 cm)	51" (130 cm)	Blanco	42842
13" (33 cm)	51" (130 cm)	Bisque	42844
13" (33 cm)	51" (130 cm)	Grafito	42846
15,5" (39,4 cm)	53" (135 cm)	Blanco	55842
15,5" (39,4 cm)	53" (135 cm)	Bisque	55844
15,5" (39,4 cm)	53" (135 cm)	Grafito	55846
15,5" (39,4 cm)	53" (135 cm)	Azul pacífico	55847
15,5" (39,4 cm)	53" (135 cm)	Champaña	55848
15,5" (39,4 cm)	53" (135 cm)	Rosa Sedona	55849

### Juego de apilamiento

¿Planea apilar su lavadora y secadora Kenmore? Para hacerlo, busque el juego de apilamiento (8541503) en el tambor de la secadora Kenmore que hace juego. Siga las instrucciones que se incluyen con el juego. Vea "Requisitos de ubicación".

## Requisitos de ubicación

La selección de una ubicación apropiada para su lavadora realza el rendimiento y reduce al mínimo el ruido y la posible "caminata" de la lavadora.

La instalación de su lavadora puede ser debajo de un mostrador hecho a la medida, en un sótano, en un cuarto de lavandería, en un clóset o en una zona empotrada. Vea "Sistema de desagüe".

Deberá tenerse en cuenta también los requisitos para la ubicación de otro electrodoméstico acompañante. La instalación correcta es responsabilidad suya.

### Usted necesitará

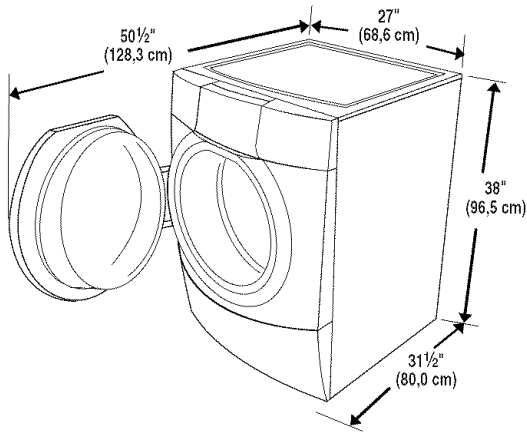
- Un calentador de agua fijado para suministrar a la lavadora el agua a 120°F (49°C).
- Un contacto eléctrico con conexión a tierra ubicado a una distancia de no más de 6 pies (1,8 m) del lugar donde el cable eléctrico está fijado a la parte posterior de la lavadora. Vea "Requisitos eléctricos".
- Los grifos de agua caliente y de agua fría ubicados a una distancia de no más de 4 pies (1,2 m) de las válvulas de llenado del agua caliente y fría y una presión de agua de 20-100 lb/pulg. (137,9 - 689,6 kPa).
- Un piso nivelado con un declive máximo de 1" (2,5 cm) debajo de toda la lavadora. No se recomienda instalar la lavadora sobre superficies blandas del piso, tales como alfombras o superficies con reverso de espuma.
- Un piso resistente y firme que soporte la lavadora con un peso total (del agua y de la carga) de 400 libras (180 kg).

No ponga a funcionar su lavadora a temperaturas inferiores a 32°F (0°C). Puede quedar algo de agua en la lavadora y podría ocasionar daños a bajas temperaturas.

### Espacios libres para la instalación

- La ubicación debe ser lo suficientemente grande para permitir que la puerta abra completamente.
- Se debe considerar espacio adicional para facilitar la instalación y el servicio.
- Es posible que se requieran espacios libres adicionales para moldes de pared, puerta y piso.
- Se recomienda un espacio libre adicional de 1" (2,5 cm) en todos los lados de la lavadora para reducir la transferencia de ruidos.
- También se debe considerar un espacio para un electrodoméstico que le acompañe.

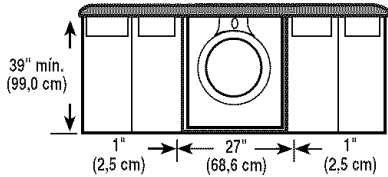
**Dimensiones de la lavadora**



**Recomendaciones de espacios de instalación para instalación debajo del mostrador hecho a la medida**

Las dimensiones que se muestran son para los espacios recomendados.

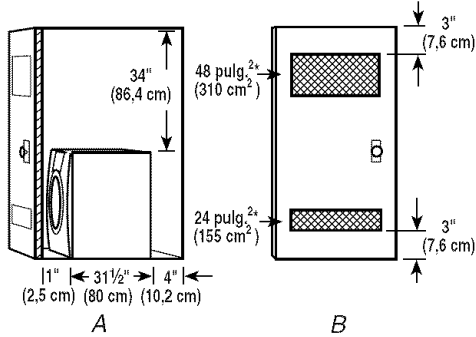
**Instalación debajo del mostrador hecho a la medida - Lavadora solamente**



**Recomendaciones de espacios de instalación para instalación empotrada o en el armario, con o sin pedestal**

Las dimensiones que se muestran son para los espacios recomendados.

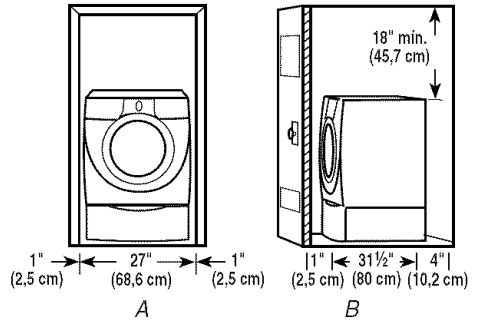
**Instalación en el área empotrada o en el armario**



A. Vista lateral – armario o área confinada  
B. Puerta del armario con ventilación

\*Aberturas superior e inferior de aire mínimas para la puerta del armario.

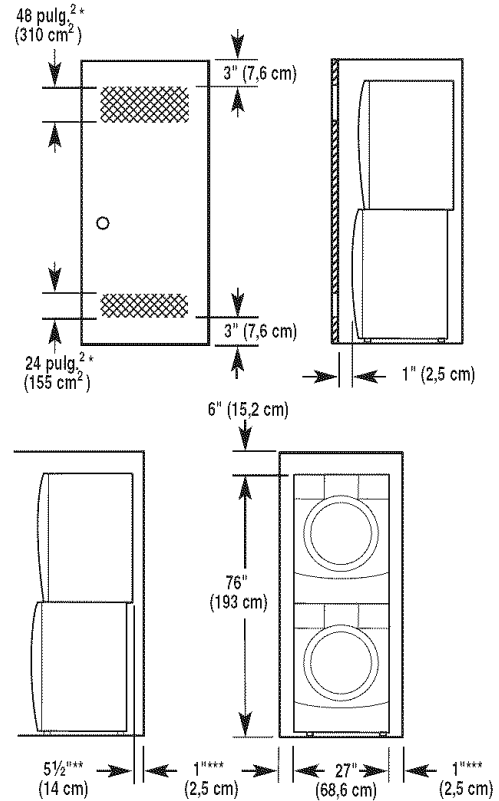
**Instalación empotrada o en el armario – Lavadora sobre pedestal**



A. Área empotrada  
B. Vista lateral – armario o área confinada

**Recomendaciones de espacios de instalación para instalación empotrada o en el armario, con lavadora y secadora apiladas**

Las dimensiones que se muestran son para los espacios recomendados.



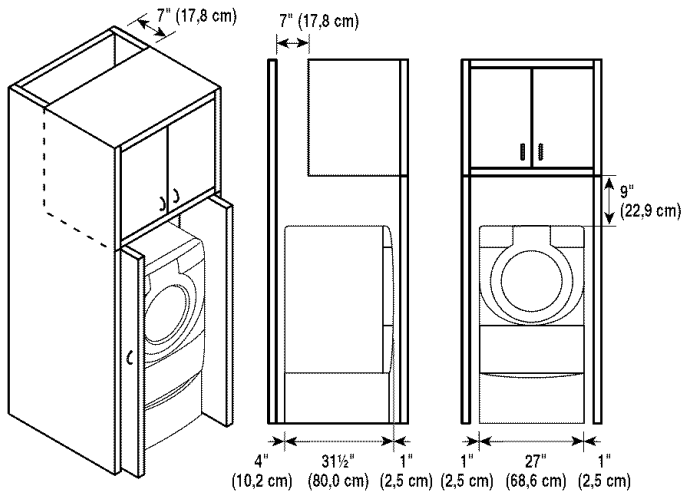
\*Aberturas superior e inferior de aire mínimas para la puerta del armario.

\*\*El codo de escape externo requiere espacio adicional.

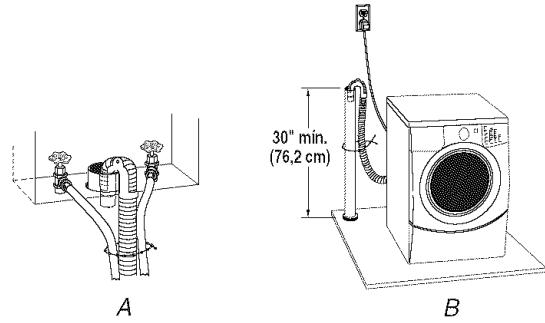
\*\*\*Los moldes de pared, puerta y piso pueden requerir espacio adicional.

## Recomendaciones de espacios de instalación para la instalación en el gabinete

- Las dimensiones que se muestran son para los espacios recomendados.
- Para la instalación en el gabinete con puerta, se requieren las aberturas de ventilación mínimas en la parte superior.



La parte superior del tubo vertical debe estar a una altura mínima de 30" (76,2 cm) y máxima de 96" (2,4 m) de la parte inferior de la lavadora.



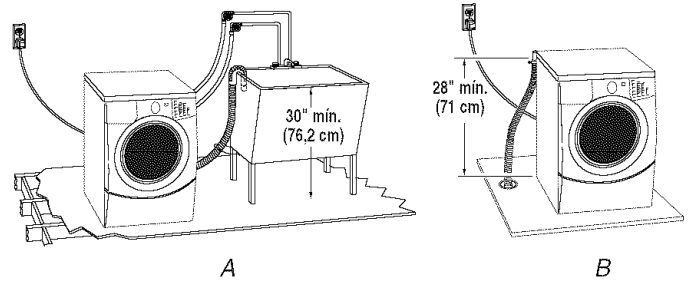
### Sistema de desagüe por el lavadero (ilustración A)

El lavadero necesita una capacidad mínima de 20 gal. (76 L). La parte superior del lavadero debe estar a una altura mínima de 30" (76,2 cm) del piso.

### Sistema de desagüe por el piso (ilustración B)

El sistema de desagüe por el piso necesita una desviación del sifón que puede adquirirse por separado. Vea "Herramientas y piezas".

La desviación del sifón debe estar a una distancia mínima de 28" (71 cm) de la parte inferior de la lavadora. Quizás necesite mangueras adicionales.



## Sistema de desagüe

Se puede instalar la lavadora utilizando el sistema de desagüe por tubo vertical (en el piso o en la pared), el sistema de desagüe por el lavadero, o el sistema de desagüe por el piso. Seleccione el método de instalación de la manguera de desagüe que usted necesite. Vea "Herramientas y piezas".

### Sistema de desagüe por tubo vertical – en la pared o en el piso (ilustraciones A y B)

El desagüe por tubo vertical necesita un tubo vertical con un diámetro mínimo de 2" (5 cm). La capacidad mínima de desagüe no puede ser menor de 17 gal (64 L) por minuto.

## Requisitos eléctricos

### **⚠ ADVERTENCIA**



#### **Peligro de Choque Eléctrico**

Conecte a un contacto de pared de conexión a tierra de 3 terminales.

**No quite la terminal de conexión a tierra.**

**No use un adaptador.**

**No use un cable eléctrico de extensión.**

**No seguir estas instrucciones puede ocasionar la muerte, incendio o choque eléctrico.**

- Se necesita un suministro eléctrico de 120 voltios, 60 hertzios, CA solamente, de 15 ó 20 amperios y protegido con fusibles. Se aconseja el uso de un fusible retardador o cortacircuitos. Asimismo se recomienda el empleo de un circuito separado sólo para este electrodoméstico.
- Esta lavadora viene equipada con un cable eléctrico dotado de un enchufe con tres terminales y conexión a tierra.
- Para reducir el peligro de posibles choques eléctricos, el cable debe conectarse en un contacto apropiado que tenga 3 terminales y conexión a tierra de conformidad con los códigos y ordenanzas locales. Si no dispone del contacto apropiado, es obligación y responsabilidad del cliente contratar a un electricista competente para que instale el contacto debido con conexión a tierra.
- Si los códigos lo permiten y se utiliza un cable a tierra separado, se recomienda verificar con un electricista competente si el circuito de conexión a tierra es el adecuado.

- No derive la conexión a tierra hacia una tubería de gas.
- Si no está seguro de que la conexión a tierra de la lavadora sea la adecuada, verifíquela con un electricista competente.
- No coloque un fusible en el circuito neutro o de conexión a tierra.

### **INSTRUCCIONES PARA LA CONEXIÓN A TIERRA**

#### **Para una lavadora conectada a tierra con cable eléctrico:**

Esta lavadora debe conectarse a tierra. En caso de funcionamiento defectuoso o avería, la conexión a tierra reducirá el riesgo de choque eléctrico al proporcionar una vía de menor resistencia para la corriente eléctrica. Esta lavadora viene equipada con un cable eléctrico que tiene un conductor de conexión a tierra del equipo y un enchufe con conexión a tierra. El enchufe debe conectarse en un contacto de pared apropiado que haya sido debidamente instalado y conectado a tierra de conformidad con todos los códigos y ordenanzas locales.

**ADVERTENCIA:** La conexión incorrecta de la terminal de conexión a tierra del equipo puede ocasionar un riesgo de choque eléctrico. Consulte con un electricista o técnico en reparaciones calificado si tiene duda alguna en cuanto a la conexión a tierra correcta del electrodoméstico.

No modifique el enchufe provisto con el electrodoméstico. Si éste no encaja en el contacto de pared, pida a un electricista calificado que le instale un contacto de pared apropiado.

#### **Para una lavadora con contacto eléctrico permanente:**

Esta lavadora debe conectarse a un metal puesta a tierra, un sistema con cableado permanente a tierra o conectarse a un equipo cuyo suministro incluya una terminal de tierra.



# INSTRUCCIONES DE INSTALACIÓN

## Eliminación del sistema de transporte

### ⚠ ADVERTENCIA

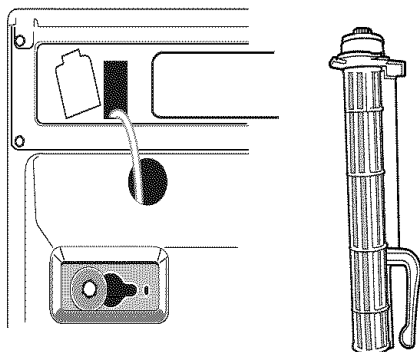
#### Peligro de Peso Excesivo

Use dos o más personas para mover e instalar la lavadora.

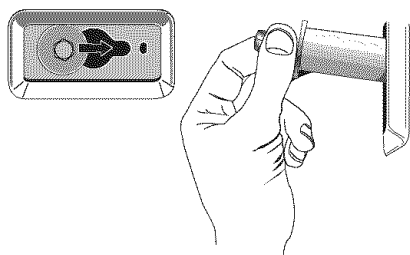
No seguir esta instrucción puede ocasionar una lesión en la espalda u otro tipo de lesiones.

**IMPORTANTE:** Coloque la lavadora de modo que la parte posterior del aparato esté aproximadamente a 3 pies (90 cm) de distancia de su ubicación final.

Hay 4 pernos en el panel posterior de la lavadora, los cuales sostienen el sistema de suspensión durante el transporte. Estos pernos también retienen el cable de suministro de energía dentro de la lavadora hasta que se quiten los pernos.



1. Utilice una llave de tuercas de 13 mm para aflojar cada uno de los pernos.
2. Una vez que el perno esté flojo, muévelo hacia el centro del orificio y jálalo hacia fuera por completo, incluyendo el espaciador de plástico que cubre el perno.



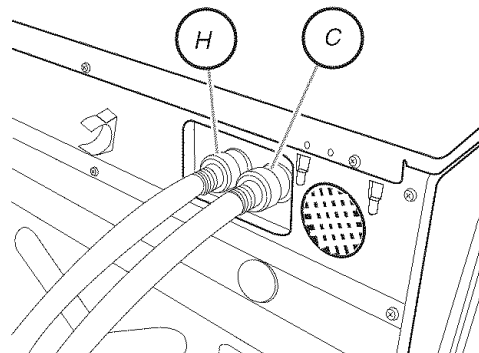
3. Una vez que haya quitado los 4 pernos, descarte los pernos y los espaciadores. Después jale el cable eléctrico por la abertura del panel trasero y cierre el orificio con la tapa adjunta.
4. Cierre los orificios de los pernos con los 4 tapones para orificios de pernos de transporte.

**NOTA:** Llame a su centro de servicio más cercano si la lavadora se va a transportar unos días más tarde. Para prevenir daños estructurales y de suspensión, su lavadora debe estar debidamente preparada para ser nuevamente ubicada por un técnico certificado.

## Conexión de las mangueras de entrada

Asegúrese de que el tambor de la lavadora esté vacío.

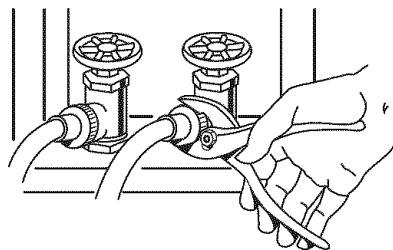
1. Conecte la manguera con el indicador rojo a la válvula de entrada Caliente (izquierda). El conectar el acoplamiento rojo primero facilita el ajuste de la conexión con los alicates. Atornille el acoplamiento con la mano hasta que se asiente en la arandela.
2. Conecte la manguera con el indicador azul a la válvula de entrada del agua Fría (derecha). Atornille el acoplamiento con la mano hasta que se asiente en la arandela.



3. Usando los alicates, fíjese cuánto están apretados los acoplamientos de la manguera que ya están sujetos a la lavadora.

**NOTA:** No los apriete demasiado. Se pueden dañar los acoplamientos.

4. Conecte la manguera que tiene el indicador de color rojo con el grifo del agua caliente. Atornille el acoplamiento con la mano hasta que quede asentado en la arandela.
5. Conecte la manguera que tiene el indicador de color azul al grifo del agua fría. Atornille el acoplamiento con la mano hasta que quede asentado en la arandela.
6. Usando los alicates, apriete los acoplamientos dos tercios de vuelta adicional.



**NOTA:** No los apriete demasiado. Se pueden dañar los acoplamientos.

7. Abra los grifos del agua y revise si hay fugas de agua.
- NOTA:** Reemplace las mangueras de entrada después de 5 años de uso para reducir el riesgo de que fallen. Para consulta en el futuro, anote en las mangueras la fecha de instalación o la fecha de reposición de las mismas.

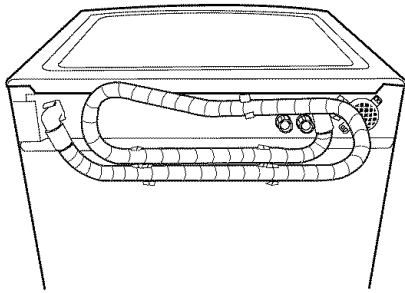
Inspeccione periódicamente y reemplace las mangueras si aparecen bultos, torceduras, cortaduras, desgaste o fugas de agua.

## Tendido de la manguera de desagüe

El tendido apropiado de la manguera de desagüe protege sus pisos contra daños ocasionados por filtraciones de agua. Lea y siga estas instrucciones.

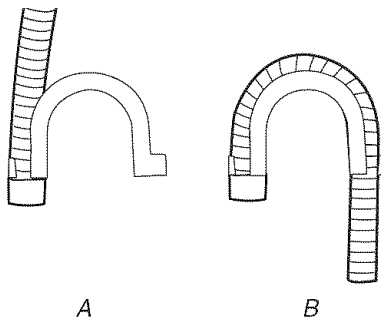
### Quite la manguera de desagüe del gabinete de la lavadora

Jale suavemente de la manguera de desagüe corrugada para sacarla de los sujetadores de embalaje.



### Desagüe de la tina de lavadero o desagüe del tubo vertical

Conecte el molde de la manguera de desagüe a la manguera de desagüe corrugada.



A. Encaje cualquiera de los extremos del molde a la manguera de desagüe en el lugar donde comienza el corrugado.

B. Doble la manguera de desagüe sobre el molde y trábela en su lugar.

### Para evitar que el agua de desagüe vuelva a su lavadora:

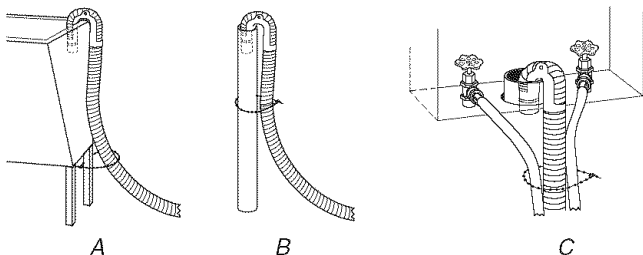
- No enderece la manguera de desagüe ni fuerce el exceso de la manguera de desagüe dentro del tubo vertical. La manguera debe quedar asegurada pero lo suficientemente floja que permita un espacio para el aire.
- No tienda el exceso de la manguera en el fondo del lavadero.

### Desagüe por el piso

Quizás necesite piezas adicionales. Vea desagüe por el piso en la sección "Herramientas y piezas".

## Fijación de la manguera de desagüe

1. Coloque el cable eléctrico encima de la lavadora.
2. Asegure la manguera de desagüe a la pata del lavadero o al tubo vertical utilizando el fleje rebordeado que viene con la lavadora. (Vea las ilustraciones A y B.)



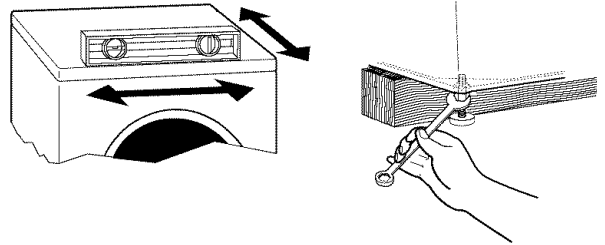
Si los grifos de suministro de la lavadora y el tubo vertical de desagüe están empotrados (vea la ilustración C), ponga el extremo en forma de gancho de la manguera de desagüe en el tubo vertical. Enrolle el fleje rebordeado con firmeza alrededor de las mangueras de entrada del agua y de la manguera de desagüe.

No fuerce el exceso de la manguera de desagüe dentro del tubo vertical.

## Nivelación de la lavadora

La nivelación apropiada de su lavadora evita el ruido excesivo y la vibración.

1. Revise si la lavadora está nivelada colocando un nivel en el borde superior de la lavadora, primero de lado a lado, luego de frente hacia atrás.



Si la lavadora está contra la pared, mueva la lavadora ligeramente hacia afuera antes de inclinarla hacia atrás. Si la lavadora no está nivelada, primero apunte la parte frontal con un bloque de madera y regule las patas según sea necesario, después apunte la parte de atrás y regule las patas según sea necesario. Repita este paso hasta que la lavadora quede nivelada.

2. Asegúrese de que las cuatro patas estén estables y descansando sobre el suelo. Después verifique que el aparato esté perfectamente nivelado (use un nivel).
3. Una vez que la lavadora esté nivelada, use una llave de boca de 17 mm para apretar las tuercas de las patas contra el gabinete de la lavadora.

**IMPORTANTE:** Se deben ajustar las 4 patas. Si no se aprietan las tuercas contra el gabinete de la lavadora, la lavadora podría vibrar.

Cuando empuje los bordes de la placa superior de la lavadora, ésta no se debe mover de adelante hacia atrás, de lado a lado ni en forma diagonal.

4. Deslice la lavadora hasta su ubicación final.
5. Verifique el grado de nivelación de la lavadora.

## Complete la instalación

1. Revise los requisitos eléctricos. Asegúrese de contar con la fuente de electricidad correcta y el método recomendado de conexión a tierra. Vea "Requisitos eléctricos".
2. Cerciórese de que todas las piezas estén instaladas. Si hay alguna pieza extra, vuelva a revisar todos los pasos para ver cuál se omitió.
3. Cerciórese de tener todas las herramientas.
4. Deshágase de todos los materiales de embalaje o recícelos.
5. Cerciórese de que los grifos del agua estén abiertos.

6. Revise si hay filtraciones de agua alrededor de los grifos y las mangueras de entrada.

## ⚠ ADVERTENCIA



### Peligro de Choque Eléctrico

Conecte a un contacto de pared de conexión a tierra de 3 terminales.

No quite la terminal de conexión a tierra.

No use un adaptador.

No use un cable eléctrico de extensión.

No seguir estas instrucciones puede ocasionar la muerte, incendio o choque eléctrico.

7. Conecte a un contacto de pared de conexión a tierra de 3 terminales.
8. Lea "Uso de la lavadora".
9. Para probar y limpiar su lavadora, mida  $\frac{1}{2}$  de la cantidad de detergente de alto rendimiento (HE) en polvo o líquido recomendada por el fabricante para una carga mediana. Vierta el detergente en el depósito del detergente. Seleccione Normal/Informal (NORMAL/CASUAL) y luego seleccione Puesta en marcha (START). Deje que la lavadora funcione durante un ciclo completo.



Use solamente un detergente de alto rendimiento (HE)

## CARACTERÍSTICAS Y BENEFICIOS

### Controles electrónicos SENSOR SMART™

Los controles electrónicos flexibles son fáciles de usar tanto sea usted principiante o experto.

### Depósitos inteligentes

Los depósitos inteligentes realzan la calidad automática de su lavadora. Esta lavadora proporciona un depósito de tres compartimientos, el cual incluye compartimientos separados para el detergente, suavizante de telas, y blanqueador. El depósito tiene zonas grandes para el vertido; es de limpieza automática y se puede quitar con facilidad. Los aditivos de lavandería se diluyen con el agua y se incorporan a la carga de ropa en el momento oportuno del ciclo de lavado.

### Nivel del agua automático

Al ajustarse al tamaño de la carga, esta característica permite a la lavadora usar la cantidad mínima de agua que necesita para lavar y enjuagar la ropa.

Con un nivel de agua bajo, usted puede obtener los mismos resultados con cantidades menores de aditivos. Al usarse solamente la cantidad de agua requerida, la lavadora también ahorra energía.

### Acción de limpieza catalizadora CATALYST® con inyección directa

Una solución concentrada de detergente rocía las prendas en el comienzo del ciclo para asegurarse de que el detergente entre en contacto con las mismas tan rápido como sea posible, quitando las manchas de las prendas sin un tratamiento previo.

### Cargas más voluminosas

Debido a que no tiene agitador, usted puede lavar artículos más voluminosos y más grandes como bolsas de dormir de tamaño mediano. También puede lavar más ropa a la vez, lo que significa menor cantidad de lavados. Usted puede lavar una almohada o un oso de peluche grande.

### Sistema de suspensión

Para reducir los problemas de la "caminata" y el "desequilibrio" de la lavadora, su nueva lavadora cuenta con:

- 2 resortes para aislar la vibración
- 4 amortiguadores en la base de la lavadora para minimizar el movimiento.

### Tambor de acero inoxidable

El tambor de acero inoxidable elimina la corrosión y permite velocidades más altas, logrando mayor extracción del agua, que a su vez reduce el tiempo de secado.

### Motor adaptable a velocidad variable

El motor se adapta al tamaño de la carga de ropa y al ciclo seleccionado, para proporcionar las condiciones óptimas de limpieza, enjuague y escurrido. El motor puede soportar velocidades lentas para lana y artículos delicados, y es lo suficientemente poderoso como para exprimir la ropa en un giro de 1.050 r.p.m.

### Sistema de lavado de alto rendimiento

Su nueva lavadora de carga frontal y alto rendimiento ahorra tiempo con lavados más voluminosos y menor número de veces, conserva los recursos y también reduce sus gastos de agua y electricidad.

### Velocidades de exprimido

Esta lavadora selecciona automáticamente la velocidad de exprimido según el ciclo seleccionado. Sin embargo, se puede modificar este ajuste de fábrica. Esta lavadora ofrece un máximo de cinco opciones distintas de velocidad de exprimido.

### Control automático de temperatura (CAT)

El CAT - (Control automático de temperatura) detecta y mantiene electrónicamente una temperatura de agua uniforme. El CAT regula el agua fría y caliente que ingresa. El CAT se enciende automáticamente al seleccionar un ciclo.

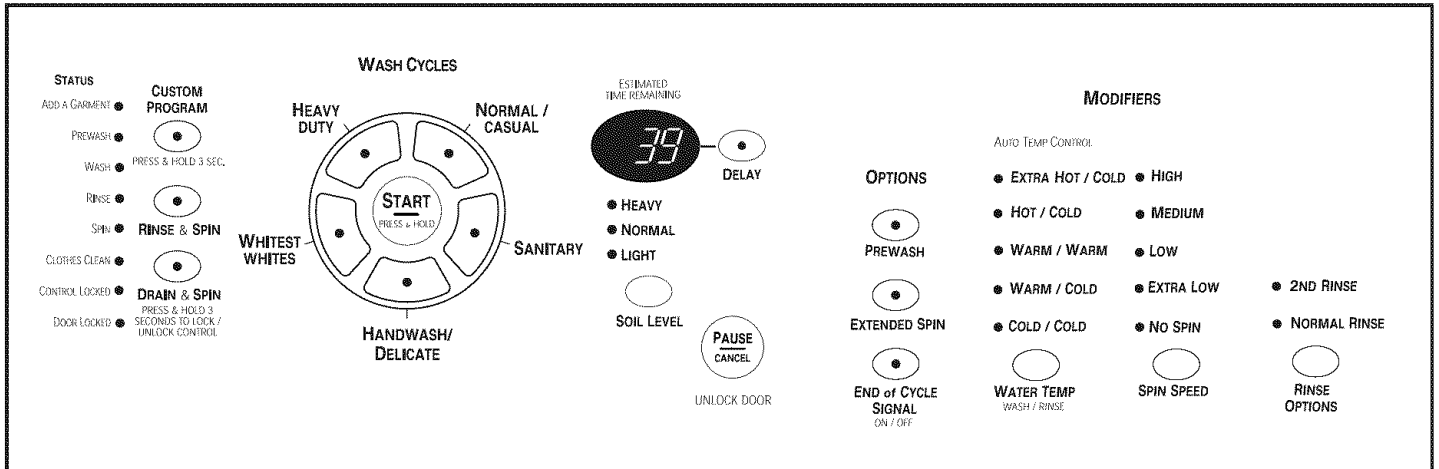
### Agregado de prendas

Cuando esta opción esté disponible al comienzo del ciclo, la luz de estado de agregar prendas (Add A Garment) se iluminará durante los primeros 8 minutos. Esta lavadora permite que durante un período de 8 minutos se puedan agregar prendas que se hayan olvidado agregar a una carga.

### Equilibrio dinámico

Un sistema preciso de equilibrio que permite a la lavadora alcanzar velocidades de exprimido de hasta 1.050 r.p.m. La lavadora exprime rápidamente de manera que las prendas que salen de la misma se sequen más rápido. Además, si el sistema de equilibrio dinámico detecta que las cargas están desequilibradas durante el exprimido, redistribuye las prendas para que queden uniformemente equilibradas.

# USO DE LA LAVADORA



## Puesta en marcha de la lavadora

### ! ADVERTENCIA



#### Peligro de Incendio

Nunca coloque en la lavadora artículos que estén humedecidos con gasolina o cualquier otro líquido inflamable.

Ninguna lavadora puede eliminar completamente el aceite.

No seque ningún artículo que haya tenido alguna vez cualquier tipo de aceite (incluyendo aceites de cocina).

No seguir estas instrucciones puede ocasionar la muerte, explosión o incendio.

**ADVERTENCIA:** A fin de reducir el riesgo de incendio, de choque eléctrico o de daños personales, lea las INSTRUCCIONES IMPORTANTES DE SEGURIDAD antes de operar este aparato.

La siguiente es una guía para el empleo de su lavadora. Consulte otras secciones de este manual para obtener información detallada.

No almacene productos de lavandería encima de esta lavadora. La vibración es normal durante el funcionamiento.

## Uso de detergente adecuado

Use solamente detergentes de alto rendimiento. El paquete para este tipo de detergente incluye la indicación "HE" o "Alto Rendimiento". Con este nuevo sistema y el menor uso de agua, se formará demasiada espuma si se utiliza un detergente común que no sea de Alto Rendimiento. El uso de un detergente común probablemente derive en errores de la lavadora, tiempos de ciclo más prolongados y menor rendimiento de enjuague. También podrá producir fallas de los componentes y evidente formación de moho. Los detergentes de Alto Rendimiento están hechos

para producir la cantidad adecuada de espuma para el mejor rendimiento. Siga las instrucciones del fabricante para determinar la cantidad de detergente que debe usar.



Use solamente un detergente de alto rendimiento (HE).

### Primer ciclo de lavado sin ropa

Antes de lavar la ropa por primera vez, elija el ciclo Normal/ Informal (Normal/Casual) y póngalo a funcionar sin ropa. Utilice ½ de la cantidad de detergente de alto rendimiento (HE) en polvo o líquido recomendada por el fabricante para una carga mediana. Este ciclo inicial sirve para asegurar la limpieza del interior de la lavadora antes de lavar la ropa.

#### 1. Para cargar la lavadora

Abra la puerta de la lavadora jalando la manija. Separe la ropa por color y tipo de tela. Coloque la carga de ropa seleccionada en la lavadora. No sobrecargue la lavadora. La sobrecarga puede dar lugar a limpiezas insatisfactorias.

- Se puede llenar por completo la lavadora pero sin apretar la ropa. La puerta de la lavadora debe cerrarse con facilidad.
- Mezcle artículos grandes y pequeños. Evite lavar de a un artículo. Coloque la carga uniformemente.
- Lave pequeños artículos como calcetines de niños en una bolsa de malla para prendas. Se recomienda usar más de una bolsa para prendas y que cada una de ellas se llene con la misma cantidad de material.
- Al sacar las prendas de la lavadora, de vez en cuando revise si no han quedado pequeños artículos debajo del sello de color gris que está al frente de la tina.

2. Cierre la puerta de la lavadora empujándola con firmeza hasta que escuche el chasquido de la traba. La puerta de la lavadora permanecerá con seguro durante el ciclo de lavado.

**NOTA:** Al cabo de cualquier ciclo de lavado, se debe abrir la puerta y luego cerrarla para que pueda iniciar un nuevo ciclo. La puerta puede abrirse únicamente si se ha seleccionado Pausa/Anulado (PAUSE/CANCEL) mientras la luz de Agregue una prenda (ADD A GARMENT) está encendida o si se ha anulado el ciclo. Vea "Para anular un ciclo" en la sección "Cambio de ciclos, opciones y modificadores".

3. Abra la gaveta del depósito y agregue los productos de lavandería en los compartimientos de detergente, blanqueador, o suavizante de telas. Cierre la gaveta lentamente para evitar derrames. Vea “Uso del depósito”.
4. Encienda la lavadora seleccionando uno de los ciclos de lavado (WASH CYCLES). La luz indicadora del ciclo seleccionado se iluminará. Al seleccionar un ciclo de lavado, las opciones, la temperatura del agua, la velocidad de exprimido, y el nivel de suciedad prefijados para el ciclo seleccionado se encenderán. La pantalla muestra el tiempo aproximado restante. Los ajustes prefijados proporcionan el cuidado recomendado de las telas en el ciclo seleccionado. Vea “Ciclos”.
5. Seleccione las opciones (OPTIONS) deseadas. No todas las opciones están disponibles con todos los ciclos. Vea “Opciones”.
6. Seleccione los modificadores (MODIFIERS) deseados. No todos los modificadores están disponibles con todos los ciclos y opciones. Vea “Modificadores”.
7. Si lo desea, seleccione la señal de fin de ciclo (END OF CYCLE SIGNAL). Esta señal es útil cuando tiene que lavar artículos que deben quitarse de la lavadora tan pronto como ésta se detenga. Seleccione encendido (ON) o apagado (OFF).
8. **Para comenzar el ciclo de lavado de inmediato**  
 Seleccione y sostenga START (durante un segundo aproximadamente).
  - Si no selecciona Puesta en marcha (START) dentro de 5 minutos de haber elegido el ciclo, la lavadora se apaga automáticamente.
  - Al término del ciclo de lavado, la luz de estado Ropa limpia (CLOTHES CLEAN) se ilumina, la puerta se destraba y se puede descargar la lavadora. La lavadora se apaga automáticamente 5 minutos después del término del ciclo y la luz de CLOTHES CLEAN se apaga. Para apagar la lavadora manualmente al cabo de un ciclo, seleccione Pausa/Anulado (PAUSE/CANCEL) una vez.
9. **Para el inicio diferido del ciclo de lavado**  
 Seleccione Diferido (DELAY) hasta que el tiempo diferido deseado (en horas) aparezca en la pantalla de tiempo aproximado restante (Estimated Time Remaining). Seleccione START. La cuenta regresiva del ciclo de lavado aparecerá en la pantalla.

**IMPORTANTE:** Al diferir un ciclo, use sólo detergentes en polvo en el compartimiento para el lavado principal, ya que los detergentes líquidos se pueden filtrar fuera del compartimiento durante el ciclo Diferido antes de que comience el ciclo.

## Uso del depósito

Su nueva lavadora tiene una gaveta de depósito con tres compartimientos separados para sus aditivos de lavandería: uno es para el detergente, otro es para el blanqueador líquido con cloro y el otro es para el suavizante líquido de telas. Los aditivos de lavandería se diluyen y se distribuyen automáticamente en el momento oportuno durante el ciclo de lavado, sin que usted tenga que regresar en el transcurso del ciclo de lavado para agregarlos.

Es normal que quede un poco de agua en los depósitos al término del ciclo de lavado.

No ponga aditivos de lavandería directamente en la tina de lavado. Siempre use los depósitos apropiados al agregar aditivos de lavandería.

## Selección del detergente adecuado

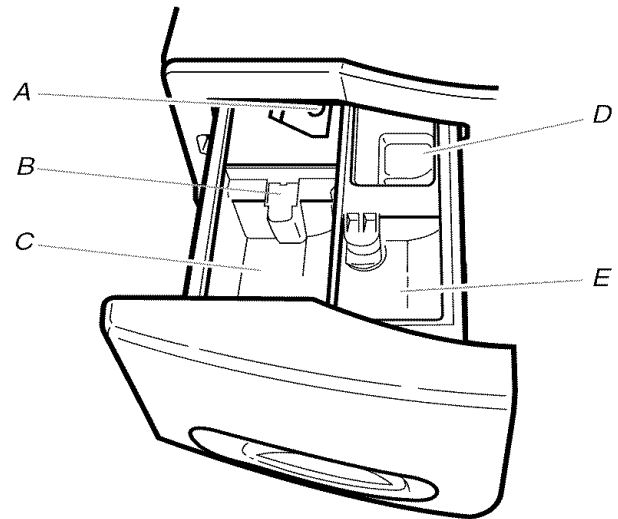
Use solamente detergentes de alto rendimiento. El paquete para este tipo de detergente incluye la indicación “HE” o “Alto Rendimiento”. Con este nuevo sistema y el menor uso de agua, se formará demasiada espuma si se utiliza un detergente común que no sea de Alto Rendimiento. El uso de un detergente común probablemente derive en errores de la lavadora, tiempos de ciclo más prolongados, menor rendimiento de enjuague, como así también en fallas de los componentes y evidente formación de moho. Los detergentes de Alto Rendimiento están hechos para producir la cantidad adecuada de espuma para el mejor rendimiento. Siga las instrucciones del fabricante para determinar la cantidad de detergente que debe usar.



Use solamente un detergente de alto rendimiento (HE).

## Para llenar los compartimientos del depósito

1. Jale la gaveta del depósito.
2. Agregue el aditivo de lavandería deseado en el compartimiento apropiado.
3. Empuje la gaveta del depósito lenta y completamente hacia adentro (para evitar derrames).



Depósito

- A. Palanca de desenganche del depósito
- B. Separador
- C. Compartimiento del detergente para el lavado principal
- D. Compartimiento del blanqueador líquido con cloro
- E. Compartimiento del suavizante de telas

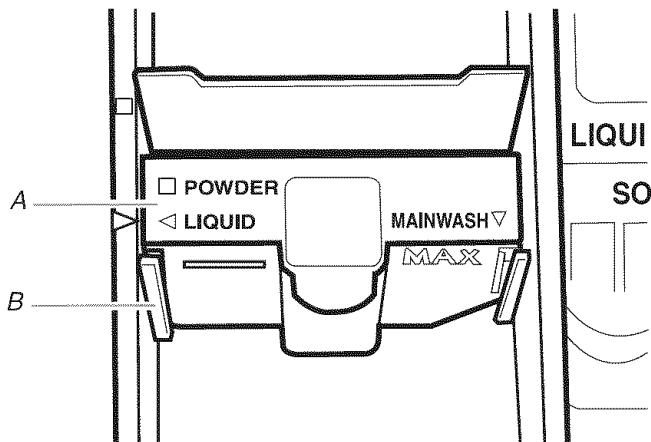
## Compartimiento del detergente para el lavado principal

(Letra C en la ilustración del depósito)

Agregue detergente en polvo o líquido a este compartimiento para su ciclo de lavado. El separador de detergentes debe estar siempre en su lugar, ya sea en la posición del frente o de atrás.

- Al diferir un ciclo, use sólo detergentes en polvo en el compartimiento para el lavado principal, ya que los detergentes líquidos se pueden filtrar fuera del compartimiento durante el ciclo diferido antes de que comience el ciclo.
- No llene encima del nivel máximo (“MAX”). Use la cantidad recomendada por el fabricante para el tamaño de la carga.

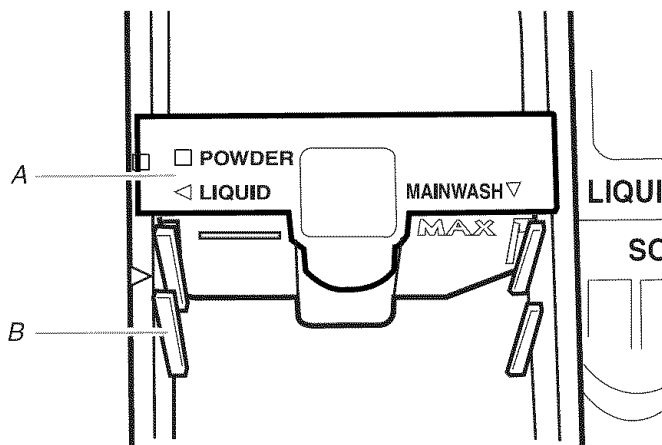
- Se puede agregar blanqueador líquido o en polvo que no decolore en el compartimiento del lavado principal junto con el mismo tipo de detergente, líquido o en polvo.
- Detergente líquido: Coloque el separador en la posición frontal, entre las guías, como se ilustra a continuación. No habrá espacio entre el fondo del compartimiento de detergente del ciclo de lavado y el fondo del separador.



Separador en la posición frontal, entre las guías

A. Separador  
B. Guía

- Detergente en polvo: Ponga el separador en la posición posterior, detrás de las guías, como se ilustra a continuación. Habrá un espacio entre el fondo del compartimiento de detergente del ciclo de lavado y el fondo del separador.



Separador en la posición posterior, detrás de las guías

A. Separador  
B. Guía

**NOTA:** Cuando sea enviado de la fábrica, el separador estará en la posición de "powder" (detergente en polvo—parte posterior).

### Compartimiento del blanqueador líquido con cloro

(Letra D en la ilustración del depósito)

Agregue no más de 1/3 de taza (80 mL) del blanqueador líquido con cloro en este compartimiento. El blanqueador se diluirá y distribuirá automáticamente en el momento oportuno durante el primer enjuague después del ciclo de lavado. Este compartimiento no puede diluir blanqueador en polvo.

- Siempre mida el blanqueador líquido con cloro. Use una taza medidora con pico vertedor; no lo haga al cálculo.
  - No llene encima del nivel máximo "MAX".
- NOTA:** El sobrellenado puede ocasionar serios daños a las prendas.

### Compartimiento del suavizante de telas

(Letra E en la ilustración del depósito)

Agregue 1/4 de taza (60 mL) del suavizante líquido de telas en este compartimiento. El suavizante de telas se distribuirá automáticamente en el enjuague final.

- No llene encima del nivel máximo ("MAX").

### Pausa o reanudación de la marcha

1. Para detener la lavadora en cualquier momento, seleccione Pausa/Anulado (PAUSE/CANCEL).
2. Para reanudar el ciclo, seleccione y sostenga Puesta en marcha (START) (durante un segundo aproximadamente).

### Cambio de ciclos, opciones y modificadores

No todas las opciones y modificadores están disponibles con todos los ciclos. Los ciclos, opciones y modificadores se pueden cambiar en cualquier momento antes de seleccionar Puesta en marcha (START).

Las opciones y modificadores se pueden cambiar en cualquier momento después de seleccionar Puesta en marcha (START) y antes de que comience la opción o modificador seleccionado.

#### Para anular un ciclo y seleccionar uno nuevo

1. Seleccione Pausa/Anulado (PAUSE/CANCEL) dos veces.
2. Seleccione el ciclo deseado.
3. Seleccione las opciones (OPTIONS) o modificadores (MODIFIERS) deseados.
4. Seleccione y sostenga Puesta en marcha (START) (durante un segundo aproximadamente) para reanudar la marcha de la lavadora al inicio de un nuevo ciclo.

#### Para anular un ciclo

1. Seleccione Pausa/Anulado (PAUSE/CANCEL) dos veces.
2. La lavadora se apaga, la puerta se destraba y se puede sacar la ropa.

**NOTA:** Si el nivel del agua o la temperatura están demasiado altos, la lavadora se desaguará automáticamente antes de que la puerta se destrabe.

#### Para cambiar opciones y modificadores después de que haya comenzado el ciclo

1. Seleccione Pausa/Anulado (PAUSE/CANCEL) una vez.
2. Seleccione las opciones (OPTIONS) o modificadores (MODIFIERS) deseados.
3. Seleccione y sostenga Puesta en marcha (START) (durante un segundo aproximadamente) para continuar el ciclo.

#### Para desaguar la lavadora manualmente

1. Seleccione Pausa/Anulado (PAUSE/CANCEL) una vez.
2. Seleccione Desagüe/Exprimido (DRAIN/SPIN).
3. Seleccione y sostenga Puesta en marcha (START) (durante un segundo aproximadamente) para comenzar el desagüe.
4. Al cabo del exprimido, la puerta se destraba. Se puede descargar la lavadora.

## Luces de estado

Estas luces muestran en qué porción del ciclo está funcionando la lavadora. También indican cuándo se puede agregar un artículo en el ciclo de lavado y cuándo los controles están bloqueados.

STATUS	
ADD A GARMENT ●	
PREWASH ●	
WASH ●	
RINSE ●	
SPIN ●	
CLOTHES CLEAN ●	
CONTROL LOCKED ●	
DOOR LOCKED ●	

### Agregado de artículos

Esta lavadora permite que durante un período de 8 minutos se puedan agregar prendas que se hayan olvidado de agregar a la carga. Usted puede agregar artículos en la lavadora si la luz de estado Agregue una prenda (ADD A GARMENT) está encendida.

#### Para agregar artículos

1. Seleccione PAUSE/CANCEL una vez. La puerta de la lavadora se destraba y se pueden añadir artículos.
2. Para continuar el ciclo, cierre la puerta y seleccione y sostenga START (durante un segundo aproximadamente).
3. Para destrabar la puerta después del período de agregar prendas, presione pausa/anulado dos veces. Esto anulará el ciclo de lavado.

### Ropa limpia

La luz de ropa limpia (Clothes Clean) permanece encendida después de haberse terminado el ciclo, hasta que se abra la puerta. La lavadora se apagará después de que se termine el ciclo.

### Bloqueo de los controles

El bloqueo de los controles (Control Lock) evita el uso accidental de la lavadora. También puede usar la función de bloqueo de los controles para evitar cambios accidentales del ciclo o de opciones durante un ciclo. Cuando Control bloqueado (CONTROL LOCKED) está encendido, todos los botones quedan desactivados, con la excepción de Pausa/Anulado (Pause/Cancel) y Puesta en marcha (Start). Usted puede bloquear los controles mientras la lavadora se encuentre en funcionamiento.

#### Para bloquear los controles

Seleccione y sostenga Desagüe/Exprimido (DRAIN/SPIN) durante 3 segundos.



La luz de estado CONTROL LOCKED se enciende.

### Para desbloquear los controles

Seleccione y sostenga DRAIN/SPIN durante 3 segundos hasta que la luz de estado CONTROL LOCKED se apague.

### Bloqueo de la puerta

Cuando la luz de estado se enciende, la puerta está bloqueada.

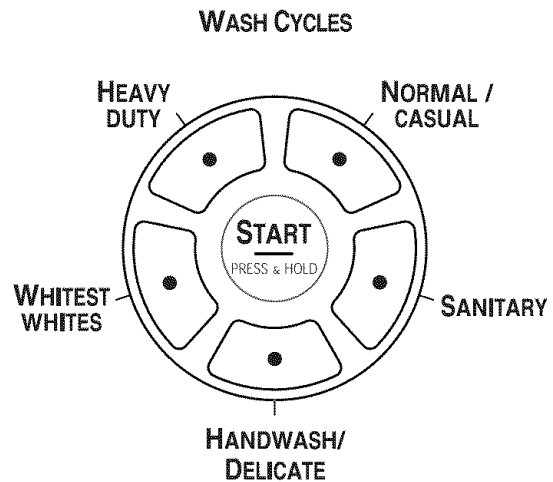
### Tiempo estimado restante

Los tiempos del ciclo varían automáticamente según la presión y la temperatura del agua, el detergente y la carga de ropa. El tiempo del ciclo se prolongará si hay exceso de espuma o si la carga está desequilibrada. La rutina de espuma quita la espuma excedente y asegura el enjuague apropiado de sus prendas. Durante la rutina de desequilibrio, el tiempo en la pantalla puede hacer una pausa hasta que se complete esta actividad; luego reanudará el resto del ciclo.

## Ciclos

### Ciclos de lavado

Elija ciclos de lavado seleccionando el botón adyacente al ciclo deseado. Cada ciclo ha sido diseñado para los diversos tipos de tela y niveles de suciedad.



- Cada ciclo tiene los siguientes ajustes prefijados: Nivel de suciedad (Soil Level) (tiempo del ciclo), Temperatura del agua (Water Temperature), Velocidad de exprimido (Spin Speed) y puede tener opciones (Options) prefijadas. Los ajustes prefijados proporcionan el cuidado recomendado de la tela para el ciclo seleccionado.
- Los ajustes prefijados pueden cambiarse en cualquier momento antes de seleccionar Puesta en marcha (START). No todas las opciones y modificadores estarán disponibles con todos los ciclos. Para cambiar los ajustes después de que haya comenzado el ciclo, seleccione Pausa/Anulado (PAUSE/CANCEL) una vez, luego seleccione los ajustes deseados. Seleccione y sostenga Puesta en marcha (START) (durante un segundo aproximadamente) para continuar el ciclo.

## Ajustes prefijados de ciclos

Cada ciclo tiene los siguientes ajustes prefijados: Tiempo del ciclo (Cycle Time), Temperatura del agua (Water Temperature) y Velocidad de exprimido (Spin Speed). Los ajustes prefijados proporcionan el cuidado recomendado de las telas en el ciclo seleccionado. Vea el cuadro.

Ciclo	Nivel de suciedad (hr:min)	Temperatura del agua	Velocidad de exprimido
<b>Blancos blanquísimos (Whitest Whites)</b>	Intenso (Heavy) (1:10)	Caliente/Fr�a (Hot/Cold)	Alta (High)
<b>Lavado intenso (Heavy Duty)</b>	Intenso (Heavy) (1:00)	Caliente/Fr�a (Hot/Cold)	Alta (High)
<b>Normal/Informal (Normal/Casual)</b>	Normal (0:45)	Tibia/Fr�a (Warm/Cold)	Alta (High)
<b>Sanitario (Sanitary)</b>	Intenso (2:00)	Extra caliente/ Fr�a (Extra Hot/ Cold)	Alta (High)
<b>Lavado a mano/ Ropa delicada (Handwash/ Delicate)</b>	Normal (0:35)	Fr�a/Fr�a (Cold/Cold)	Extra baja (Extra-Low)
<b>Enjuague y Exprimido (Rinse &amp; Spin)</b>	Normal (0:20)	Fr�a/Fr�a (Cold/Cold)	Alta (High)
<b>Desag�e y Exprimido (Drain &amp; Spin)</b>	Normal (0:12)	N/A	Alta (High)

### Blancos blanqu simos (Whitest Whites)

Este ciclo ha sido dise ado especialmente para el lavado de telas blancas sucias con la ayuda del blanqueador. Las temperaturas calientes de lavado aseguran la  ptima acci n del blanqueador. El enjuague adicional proporciona un rendimiento  ptimo de enjuague para evitar residuos de cloro en su ropa. Este ciclo combina una agitaci n veloz, tiempo de lavado m s prolongado, y un exprimido a velocidad extra alta para acortar el tiempo de secado.

### Lavado intenso (Heavy Duty)

Use este ciclo para lavar telas resistentes que no desti en y prendas con suciedad profunda. Este ciclo combina una agitaci n veloz, tiempo de lavado m s prolongado, y un exprimido a velocidad alta para acortar los tiempos de secado.

### Normal/Informal (Normal/Casual)

Use este ciclo para lavar telas inarrugables como camisas deportivas, blusas, ropa de negocios informal, fibras mixtas de planchado permanente, fibras de algod n y de lino y fibras sint ticas. Este ciclo combina una agitaci n a velocidad media, exprimido a alta velocidad y un proceso de enfriamiento de la ropa para reducir la formaci n de arrugas.

## Sanitario (Sanitary)

Use este ciclo para lavar telas que no desti en, con suciedad profunda. Este ciclo combina una temperatura de agua muy caliente y agitaci n de alta velocidad para ayudar a eliminar la suciedad y manchas profundas. Es recomendable fijar el calentador de agua en 120 F (49 C) para asegurar un rendimiento adecuado durante este ciclo. El ciclo sanitario tambi n ayuda a eliminar 99,999% de 3 bacterias de infecci n comunes, a n cuando no se emplee blanqueador. El exprimido a velocidad extra alta ayuda a acortar el tiempo de secado.

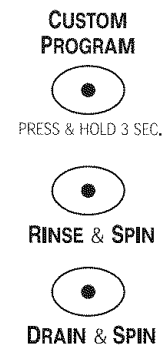
## Lavado a mano/Ropa delicada (Handwash/Delicate)

Use este ciclo para lavar prendas de lavado a mano y de cuidado especial. Este ciclo combina una agitaci n a baja velocidad y exprimido extra lento para el cuidado especial de la tela.

- Use bolsas de malla para prendas cuando lave ropa interior como brasiers con alambre, art culos con tiras y peque as prendas como medias.

## Ciclos adicionales

Seleccione el bot n para el ciclo deseado.



Usted puede cambiar la selecci n en cualquier momento antes de seleccionar Puesta en marcha (START).

### Programa personalizado (Custom Program)

El programa personalizado le permite guardar un ciclo de lavado personalizado para un uso futuro.

#### Para personalizar un ciclo de lavado:

1. Seleccione un ciclo.
2. Seleccione las opciones (OPTIONS) deseadas.
3. Seleccione los modificadores (MODIFIERS) deseados.
4. Para guardar el ciclo presione y sostenga Custom Program (3 segundos aproximadamente) hasta que escuche un bip. El programa personalizado ahora est  guardado para uso futuro.
5. Presione puesta en marcha (START).

Para volver a usar este ciclo en otra ocasi n, seleccione CUSTOM PROGRAM y presione START.

### Enjuague y Exprimido (Rinse & Spin)

Use este ciclo s lo para enjuagar y exprimir. Este ciclo combina una agitaci n veloz y exprimido a velocidad alta. Si lo desea, puede reducir la velocidad de exprimido seleccionando la velocidad que desea del modificador SPIN SPEED (Velocidad de exprimido).

#### El ciclo de Enjuague y Exprimido (Rinse & Spin) es  til para

- Cargas que necesitan  nicamente enjuague.
- Agregar suavizante de telas a una carga utilizando el dep sito del suavizante de telas.



## Desagüe y Exprimido (Drain & Spin)

Use este ciclo para vaciar el agua de la lavadora o para desaguar y exprimir la ropa. La velocidad de exprimido ha sido prefijada en alta. Si lo desea, puede reducir la velocidad de exprimido seleccionando la velocidad que desea del modificador Velocidad de exprimido (SPIN SPEED).

**NOTA:** Las cargas de telas sintéticas, fibras delicadas, de lavado a mano y de lana lavable se deben escurrir sin exprimir o con un exprimido a baja velocidad para evitar deformaciones de las telas.

## Sonidos normales

Como ocurre con cualquier producto nuevo, usted escuchará sonidos a los cuales no está acostumbrado. Podrá oír varios sonidos al trabar o destrabar la puerta, y durante el proceso de lavado, enjuague y exprimido. Durante los intervalos entre las etapas de lavado, habrá pausas momentáneas. Usted escuchará el rociado y chapoteo del agua durante los ciclos de lavado y enjuague. Estos nuevos sonidos y pausas son parte del funcionamiento normal de la lavadora. Vea “Solución de problemas”.

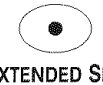
## Opciones

Usted puede personalizar su lavado al agregar opciones a sus selecciones de ciclo. Puede agregar o cambiar una opción después del inicio del ciclo en cualquier momento antes de que comience la opción seleccionada. No todas las opciones estarán disponibles con todos los ciclos.

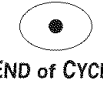
### OPTIONS



PREWASH



EXTENDED SPIN



END of CYCLE  
SIGNAL  
ON / OFF

- Vea la sección “Guía para el lavado” para obtener un cuadro global de las opciones posibles en cada selección de ciclo de lavado.
- Usted puede seleccionar más de una opción por ciclo. Algunas opciones no se pueden añadir a ciertos ciclos.
- Si una determinada opción está disponible en el ciclo seleccionado, la luz de esa opción se iluminará al ser seleccionada.
- Si una determinada opción no está disponible en el ciclo seleccionado, se escuchará una señal audible corta y la luz para esa opción no se iluminará al ser seleccionada.

## Prelavado (Prewash)

Use esta opción para cargas con suciedad profunda que necesitan tratamiento previo.

- Agregue el detergente en el compartimiento de lavado principal (Main Wash) de la gaveta del depósito.
- Use detergente en polvo para evitar que los aditivos de lavandería ingresen al sistema de lavado previamente.

Esta opción agrega tiempo de rotación antes del ciclo principal seleccionado. La lavadora continúa automáticamente del ciclo de prelavado al de lavado principal.

## Exprimido prolongado (Extended Spin)

Use esta opción para agregar un exprimido adicional a cualquier ciclo a fin de mejorar los tiempos de secado para algunas telas pesadas o artículos de cuidado especial reduciendo el exceso de agua, lo que puede ahorrar energía.

## Señal de fin de ciclo (End of Cycle Signal)

Esta señal es útil cuando tiene que quitar artículos de la lavadora tan pronto como ésta se detenga. Seleccione encendido (ON) o apagado (OFF).

## Modificadores

Los ajustes prefijados de los ciclos Temperatura de lavado/enjuague (Wash/Rinse Temp), Velocidad de exprimido (Spin Speed) y Nivel de suciedad (Soil Level) pueden modificarse. Usted puede cambiar un modificador después del inicio del ciclo en cualquier momento antes de que comience el modificador seleccionado. No todos los modificadores estarán disponibles con todas las opciones y ciclos.

### MODIFIERS

#### AUTO TEMP CONTROL

● EXTRA HOT / COLD ● HIGH

● HOT / COLD ● MEDIUM

● WARM / WARM ● LOW

● WARM / COLD ● EXTRA LOW ● 2ND RINSE

● COLD / COLD ● NO SPIN ● NORMAL RINSE



WATER TEMP  
WASH / RINSE



SPIN SPEED



RINSE  
OPTIONS

- Para cambiar la temperatura del agua, seleccione el botón Temperatura del agua (WATER TEMP) hasta que el ajuste deseado se ilumine.
- Para cambiar la velocidad de exprimido, seleccione el botón de velocidad de exprimido (SPIN SPEED) hasta que el ajuste deseado se ilumine.

● HEAVY  
● NORMAL  
● LIGHT



SOIL LEVEL

- Para cambiar el tiempo del ciclo, seleccione el botón de nivel de suciedad (SOIL LEVEL).

## 2do. Enjuague (2nd Rinse)

Se puede utilizar un segundo enjuague para ayudar en la eliminación de residuos del detergente o del blanqueador que haya quedado en las prendas. Esta opción proporciona un enjuague adicional con la misma temperatura del agua del primer enjuague. Este es un ajuste de enjuague prefijado para el ciclo de Blancos Blanquísimos.

## Enjuague normal (Normal Rinse)

Consiste en un proceso de enjuague de dos fases que es eficaz para el lavado de todos los días.

## Temperatura de Lavado/Enjuague

Seleccione una temperatura de agua basado en el tipo de carga que esté lavando. Use el agua más caliente que la tela pueda resistir. Siga las instrucciones de la etiqueta de las prendas.

Los enjuagues con agua tibia dejan las cargas más secas que los enjuagues con agua fría. Los enjuagues con agua tibia aumentan la formación de arrugas. En climas fríos, el enjuague tibio hace que la ropa sea más cómoda para manejar. Los enjuagues con agua fría ahorran energía.

### Guía de la temperatura

Temperatura del agua de lavado	Telas sugeridas
<b>Extra caliente (EXTRA HOT)</b>	Telas resistentes que no destiñen Suciedad profunda
<b>Caliente (HOT)</b>	Ropa blanca y de color pastel Suciedad profunda
<b>Tibia (WARM)</b>	Colores vivos Suciedad entre moderada y ligera
<b>Fría (COLD)</b>	Colores que destiñen o se opacan Suciedad ligera

*En temperaturas de agua inferiores a 60°F (15,6°C), los detergentes no se disuelven bien. Además puede resultar difícil quitar la suciedad.*

## Control automático de la temperatura (Auto Temp Control)

El CAT - Control automático de la temperatura (Auto Temp Control) detecta y mantiene electrónicamente una temperatura de agua uniforme. El CAT regula el agua fría y caliente que ingresa. El CAT se enciende automáticamente al seleccionar un ciclo. (Vea "Ajustes prefijados de ciclos" en "Ciclos".)

- El CAT funciona en la temperatura de lavado con los ajustes Extra caliente/Fría (Extra Hot/Cold), Caliente/Fría (Hot/Cold), Tibia/Tibia (Warm/Warm), Tibia/Fría (Warm/Cold) y Fría/Fría (Cold/Cold).
- El CAT funciona para la temperatura de enjuague con el ajuste Tibio/tibio (Warm/Warm).
- Las temperaturas de los enjuagues con agua fría dependen de la temperatura del agua fría de su grifo.

## Guía para el lavado

Consulte este cuadro para obtener sugerencias sobre tipos de cargas y sus ciclos correspondientes. A la derecha se detallan las opciones disponibles para cada uno de estos ciclos de lavado.

CICLO	TIPO DE CARGA SUGERIDA	Prelavado (PREWASH)	Opciones de enjuague (RINSE OPTIONS)	Exprimido prolongado (EXTENDED SPIN)
<b>Blancos blanquísimos (Whitest Whites)</b>	Telas blancas sucias	✓	✓	✓
<b>Lavado intenso (Heavy Duty)</b>	Telas resistentes que no destiñen y prendas con suciedad pesada.	✓	✓	✓
<b>Normal/Informal (Normal/Casual)</b>	Blusas, camisas, overoles, etc. de poliéster, náilon, algodón, lino o mezclas de algodón con suciedad normal	✓	✓	✓
<b>Sanitario (Sanitary)</b>	Ropa interior, toallas, ropa de trabajo, pañales, etc. con suciedad profunda	✓	✓	✓
<b>Lavado a mano/Ropa delicada (Handwash/Delicate)</b>	Cortinas y prendas delicadas. Artículos de cuidado especial cuya etiqueta indica para "lavado a mano".		✓	

# CONSEJOS DE LAVANDERÍA

## Preparación de la ropa para lavar

Siga estas recomendaciones para ayudarle a prolongar la vida de sus prendas.

- Use solamente detergentes de alto rendimiento. El paquete para este tipo de detergente incluye la indicación "HE" o "Alto Rendimiento". Con este sistema de lavado y el menor uso de agua, se formará demasiada espuma si se utiliza un detergente común que no sea de Alto Rendimiento. El uso de un detergente común probablemente derive en errores de la lavadora, tiempos de ciclo más prolongados, menor rendimiento de enjuague, así como también en fallas de los componentes y evidente formación de moho. Los detergentes de Alto Rendimiento HE están hechos para producir la cantidad adecuada de espuma para el mejor rendimiento. Siga las instrucciones del fabricante para determinar la cantidad de detergente que debe usar.



Use solamente un detergente de alto rendimiento (HE).

- Cierre los zippers, broches de presión y corchetes para evitar que enganchen otros artículos. Quite alfileres, hebillas y demás objetos duros para evitar que rayen el interior de la lavadora. Quite todo adorno y ornamento que no sea lavable.
- Vacíe los bolsillos y vuélvalos al revés.
- Doble los puños y limpie con un cepillo la pelusa y la suciedad.
- Vuelva al revés las prendas de tejido sintético para evitar que se llenen de pelusas.
- Ate los cordones y fajas de modo que no se enreden.
- Remiende lo que esté roto así como las costuras y dobladillos flojos.
- Trate las manchas y suciedades.
- Las prendas manchadas o mojadas deberán lavarse con prontitud para obtener mejores resultados.
- Mezcle artículos grandes y pequeños, evite lavar artículos separados y cargue de modo uniforme.
- Lave los artículos pequeños, tales como calcetines de niños, en bolsas de malla para prendas. Para crear una carga balanceada, se recomienda usar más de una bolsa para prendas y que cada una de ellas se llene con la misma cantidad de material.

**NOTA:** Si solamente va a lavar prendas pequeñas, se recomienda usar más de una bolsa para prendas y que cada una de ellas se llene con la misma cantidad de material.

## Selección de la ropa

- Separe las prendas con suciedad profunda de las que están ligeramente sucias, aún cuando éstas normalmente se lavarían juntas. Separe las prendas que sueltan pelusa (toallas, felpilla) de las que atraen pelusa (pana, artículos sintéticos y de planchado permanente). Siempre que sea posible, vuelva al revés las prendas que sueltan pelusa.
- Separe los colores oscuros de los colores claros, los artículos no desteñibles de los que sí lo son.
- Separe por tipo de tela y estructura (prendas fuertes de algodón, tejidos de punto y prendas finas).

## Cómo descargar

- Saque la ropa de la lavadora después de que se haya completado el ciclo. Los objetos metálicos como zippers, broches a presión y hebillas pueden herrumbrarse si se dejan en la lavadora por largo tiempo.
- Al sacar las prendas de la lavadora, de vez en cuando revise si no han quedado pequeños artículos debajo del sello de color gris que está al frente de la tina.

## Cómo cargar

### Sugerencias para cargar (cargas máximas de ropa)

#### Ropa pesada de trabajo

4 pantalones de mezclilla	2 pantalones de deporte
4 pantalones de trabajo	2 camisetas de deporte
4 camisas de trabajo	

#### Toallas

10 toallas de baño	14 toallas faciales
10 toallas de mano	

#### Carga mixta

3 sábanas (1 de cama doble, 2 de camas gemelas)	9 camisetas
4 fundas	9 pantalones cortos
3 camisas	10 pañuelos
3 blusas	

#### Artículos delicados

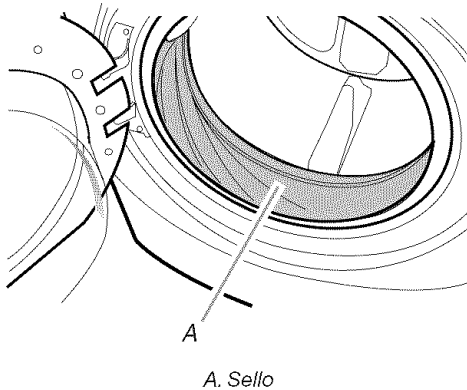
3 camisolas	2 sujetadores
4 fondos	2 camisones
4 pantaletas	

# CUIDADO DE LA LAVADORA

## Cómo limpiar su lavadora

### Limpieza del sello de la puerta

1. Abra la puerta de la lavadora y quite cualquier ropa o artículo que estuviera dentro de la misma.
2. Inspeccione el sello gris que se encuentra entre la abertura de la puerta y la canasta para detectar si hay áreas manchadas. Empuje el sello hacia atrás para inspeccionar todas las áreas debajo del sello y controle si hay objetos extraños.



3. Si se encuentran áreas manchadas en el sello, límpielas siguiendo el procedimiento a continuación.
  - a) Mezcle una solución diluida utilizando  $\frac{3}{4}$  de taza (177,4 mL) de blanqueador líquido con cloro y 1 gal. (3,8 L) de agua tibia del grifo.
  - b) Limpie el área del sello con la solución diluida y un paño húmedo.
  - c) Déjela reposar durante 5 minutos.
  - d) Limpie el área meticulosamente con un paño seco y deje que el interior de la lavadora se seque al aire con la puerta abierta.

### IMPORTANTE:

- Use guantes de goma cuando limpie por períodos prolongados.
- Vea las instrucciones de uso adecuado provistas por el fabricante del blanqueador.

### Procedimiento para el mantenimiento mensual de la lavadora

Su lavadora tiene un ciclo especial en la programación de la máquina. Este ciclo de limpieza se accede al presionar una combinación específica de botones. Este ciclo utiliza mayores volúmenes de agua junto con blanqueador líquido con cloro para limpiar meticulosamente el interior de su lavadora.

#### NOTAS:

- Lea estas instrucciones completamente antes de comenzar el proceso de limpieza.
- Si fuera necesario, el ciclo de limpieza puede ser interrumpido al presionar el botón de Pausa/Anulado (PAUSE/CANCEL). Sin embargo, el ciclo no se detendrá inmediatamente. La máquina mostrará en la pantalla "int" (interrumpir) y continuará con varios pasos de enjuague y desagüe para asegurar que se haya enjuagado todo el blanqueador de la lavadora.

#### Comience el procedimiento

1. Abra la puerta de la lavadora y quite cualquier ropa o artículo que estuviera dentro de la misma.
2. Cerciórese de que la puerta esté cerrada.
3. Abra la gaveta de depósito y quite el divisor de detergente del compartimiento de detergente del Lavado Principal y déjelo a un lado. Vea "Uso del depósito" para obtener instrucciones. No se agregarán en este momento aditivos de lavandería; en un paso posterior solamente deberá agregar blanqueador líquido con cloro.
4. Para ingresar el ciclo se debe presionar una combinación especial de botones.
  - Seleccione el botón de Enjuague y exprimido (RINSE & SPIN).
  - Seleccione Exprimido a velocidad baja (LOW SPIN SPEED).
  - Seleccione Temperatura del agua tibia/fría (Warm/Cold WATER TEMPERATURE).
  - Seleccione la opción de 2do. enjuague (2ND RINSE).
  - Oprima el botón de Señal de fin de ciclo (END of CYCLE SIGNAL) 4 veces dentro de 5 segundos para iniciar el ciclo. La puerta se bloqueará y se comenzará a llenar la lavadora.

**NOTA:** El agua comenzará a entrar en la lavadora por un momento, luego la puerta se desbloqueará, se bloqueará nuevamente y posteriormente el ciclo continuará.

  - La máquina se llenará y pondrá en funcionamiento un ciclo de detección corto. Esto tardará aproximadamente 3 minutos.

5. La lavadora hará sonar 4 tonos cortos. Controle la pantalla de Tiempo aproximado restante para ver los códigos indicados a continuación.

- a) Si la lavadora muestra las letras "Ab" (Agregar blanqueador) en la pantalla de Tiempo aproximado restante, escuchará 4 tonos cortos. Prosiga con el paso 6.
- b) Si la lavadora muestra las letras "rL" (Quitar la carga) en la pantalla de Tiempo aproximado restante, escuchará un tono de error. La puerta se desbloqueará.

- Abra la puerta y quite los artículos de la lavadora.
- Continúe el ciclo presionando el botón de Puesta en marcha (START).

**NOTA:** El agua comenzará a entrar en la lavadora por un momento, luego la puerta se desbloqueará, se bloqueará nuevamente y posteriormente el ciclo continuará con otro control de los artículos en la lavadora.

- La máquina se llenará y pondrá en funcionamiento un ciclo corto para determinar si se han dejado artículos en la lavadora. Esto tardará aproximadamente 3 minutos.
- La lavadora repetirá el paso 5 hasta que pueda determinar que no hay artículos en la lavadora y mostrará en la pantalla "Ab" (agregar blanqueador).

6. Agregue blanqueador líquido con cloro.

- a) Si usa el procedimiento de mantenimiento por primera vez, abra la gaveta de depósito y agregue inmediatamente 1 taza (236,6 mL) de blanqueador líquido con cloro al compartimiento de detergente del Lavado Principal. El blanqueador líquido con cloro debería fluir inmediatamente fuera del depósito.
- b) Si está haciendo un procedimiento de mantenimiento mensual, abra la gaveta de depósito e inmediatamente agregue 1/3 de taza (78,8 mL) de blanqueador líquido con cloro al compartimiento de detergente del Lavado Principal. El blanqueador líquido con cloro debería fluir inmediatamente fuera del depósito.

**NOTAS:**

- Cuando se agregue el blanqueador el agua va a estar entrando a la gaveta de depósito. Esto es normal.
- No agregue ningún detergente a este ciclo de limpieza. Si usa más de 1 taza (236,6 mL) de blanqueador el producto podrá dañarse con el tiempo.

7. Una vez que haya comenzado el ciclo de limpieza, deje que el ciclo finalice. La pantalla mostrará el tiempo aproximado del ciclo.

8. Una vez que haya finalizado el ciclo de limpieza, deje la puerta levemente abierta para que haya una mejor ventilación y secado del interior de la lavadora.

9. Vuelva a colocar el divisor del compartimiento de detergente.

## **Siempre haga lo siguiente para mantener la frescura de la lavadora**

- Use solamente un detergente de alto rendimiento (HE).
- Deje la puerta levemente abierta después de cada ciclo para permitir una mejor ventilación y secado del interior de la lavadora.
- Haga funcionar este procedimiento mensualmente con 1/3 de taza (78,8 mL) de blanqueador líquido con cloro.
- Si el procedimiento no mejora suficientemente la frescura de la máquina, sírvase evaluar su instalación y las condiciones de uso para detectar otras causas.

## **Limpieza del exterior**

Use un paño suave y húmedo o una esponja para limpiar cualquier derrame. De vez en cuando limpie el exterior de su lavadora para que se vea como nueva. Use un jabón suave y agua. No emplee productos abrasivos.

## **Limpieza de la gaveta de depósito**

La gaveta del depósito es desmontable para facilitar la limpieza.

1. Destabe la gaveta del depósito presionando la palanca de desenganche que está en el compartimiento de Prelavado. Vea "Uso del depósito". Quite la gaveta.
2. Quite los insertos (el sifón de los compartimientos del suavizante y del blanqueador y el separador).
3. Lave las piezas en el agua del grifo.
4. Vuelva a colocar los insertos y coloque nuevamente el depósito en la gaveta.

---

## **Mangueras de entrada del agua**

Reemplace las mangueras de entrada del agua después de cinco años de uso para reducir el riesgo de fallas. Inspeccione periódicamente y cambie las mangueras si se hallan protuberancias, torceduras, cortes, desgaste o pérdidas de agua.

Cuando reemplace las mangueras de entrada del agua, anote la fecha de reposición.

## Cuidado durante las vacaciones, el almacenamiento y la mudanza

Instale y guarde su lavadora donde no se congele. Debido a que queda algo de agua en las mangueras, la congelación de ésta puede dañar su lavadora. Si va a almacenar o mover su lavadora durante una temporada de invierno riguroso, acondiciónela para el invierno.

### Cuidado durante las vacaciones y períodos sin uso

Ponga a funcionar su lavadora únicamente cuando esté en casa. Si va a salir de vacaciones o no va a usar la lavadora durante un período prolongado, usted debe:

- Desenchufar la lavadora o desconectar el suministro de energía.
- Interrumpir el suministro de agua a la lavadora. Esto ayuda a evitar inundaciones involuntarias (debido a aumentos en la presión del agua) en ausencia suya.
- Abrir ligeramente la puerta para proporcionar ventilación.

### Para acondicionar la lavadora para el invierno:

1. Vierta 1 cuarto (1 L) de anticongelante tipo R.V. en el tambor.
2. Ponga la lavadora a funcionar en el ciclo de Desagüe y Exprimido (DRAIN & SPIN).
3. Desenchufe la lavadora o desconecte el suministro de energía.
4. Cierre ambos grifos del agua.
5. Desconecte las mangueras de entrada del agua de los grifos y desagüe.

### Para volver a usar la lavadora:

1. Deje correr agua por las tuberías. Vuelva a conectar las mangueras de entrada del agua a los grifos. Abra ambos grifos del agua.

## ⚠ ADVERTENCIA



### Peligro de Choque Eléctrico

**Conecte a un contacto de pared de conexión a tierra de 3 terminales.**

**No quite la terminal de conexión a tierra.**

**No use un adaptador.**

**No use un cable eléctrico de extensión.**

**No seguir estas instrucciones puede ocasionar la muerte, incendio o choque eléctrico.**

2. Enchufe la lavadora o reconecte el suministro de energía.
3. Ponga la lavadora a funcionar en el ciclo normal/informal (Normal/Casual) con un ½ de la cantidad de detergente de alto rendimiento HE recomendada por el fabricante para una carga de tamaño mediano, para limpiar la lavadora y eliminar el anticongelante, de haberlo usado.

### Para transportar la lavadora:

1. Si va a mover la lavadora durante una temporada de invierno riguroso, vierta 1 cuarto (1 L) de anticongelante tipo R.V. en el tambor. Ponga la lavadora a funcionar en el ciclo de desagüe y exprimido (DRAIN & SPIN).
2. Desenchufe el cable de suministro de energía.
3. Desconecte la manguera de desagüe del sistema de desagüe y fíjela a los ganchos del panel posterior.
4. Cierre ambos grifos del agua.
5. Desconecte las mangueras de entrada del agua de los grifos, luego elimine el agua de las mangueras y fíjelas al panel posterior de la lavadora.

**IMPORTANTE:** Llame para solicitar servicio. No vuelva a usar los pernos de transporte. La unidad debe ser transportada en la posición vertical. Para prevenir daños estructurales y de suspensión, su máquina debe estar debidamente preparada para ser nuevamente ubicada por un técnico certificado.

### Para volver a instalar la lavadora

1. Siga las "Instrucciones de instalación" para ubicar, nivelar y conectar la lavadora.
2. Ponga la lavadora a funcionar en el ciclo normal/informal (Normal/Casual) con un ½ de la cantidad de detergente de alto rendimiento HE recomendada por el fabricante para una carga de tamaño mediano, para limpiar la lavadora y eliminar el anticongelante, de haberlo usado.

# SOLUCIÓN DE PROBLEMAS

Pruebe primero las soluciones aquí sugeridas y posiblemente se evite el costo de una visita de servicio técnico...

## La pantalla de la lavadora muestra mensajes codificados y emite señales audibles

- **“FH” (Problema de entrada del agua – no hay agua o el abastecimiento del agua es insuficiente)**  
Seleccione Pausa/Anulado (PAUSE/CANCEL) dos veces para anular el ciclo. Desenchufe la lavadora o desconecte el suministro de energía.

### Revise lo siguiente:

¿Están completamente abiertos los grifos del agua?

¿Están obstruidos los filtros en la conexión de la manguera de entrada con la lavadora?

¿Están retorcidas las mangueras de entrada del agua?

¿Se han congelado las mangueras de entrada del agua?

Enchufe la lavadora o reconecte el suministro de energía. Vuelva a seleccionar el ciclo y presione Puesta en marcha (START). Si el problema persiste, llame al servicio técnico.

- **“F02” (Problema de desagüe)**  
Seleccione Pausa/anulado (PAUSE/CANCEL) dos veces para anular el ciclo. Desenchufe la lavadora o desconecte el suministro de energía.

### Revise lo siguiente:

¿Está retorcida la manguera de desagüe?

¿Se ha congelado la manguera de desagüe?

¿Está obstruida la manguera de desagüe?

¿Está la manguera de desagüe a una altura mayor de 96" (2,4 m) del piso?

- **“SUD” (Rutina de espuma)**

Cuando se detecta el exceso de espuma, la rutina de espuma comienza automáticamente. Esta rutina quita la espuma excedente y asegura el enjuague apropiado de sus prendas. “SUD” aparece en la pantalla durante el enjuague y al final del ciclo para informarle que la Rutina de espuma ha sido activada. Utilice solamente detergentes HE (alto rendimiento).

- **Variables “F” [diferentes de FH y F02] (problema eléctrico)**  
Seleccione Pausa/Anulado (PAUSE/CANCEL) dos veces para anular el ciclo. Seleccione Desagüe y Exprimido (DRAIN & SPIN) si hay exceso de agua en la lavadora.

Vuelva a seleccionar el ciclo y presione Puesta en marcha (START). Si el problema persiste, llame al servicio técnico.

## La lavadora no funciona

### ⚠ ADVERTENCIA



#### Peligro de Choque Eléctrico

Conecte a un contacto de pared de conexión a tierra de 3 terminales.

No quite la terminal de conexión a tierra.

No use un adaptador.

No use un cable eléctrico de extensión.

No seguir estas instrucciones puede ocasionar la muerte, incendio o choque eléctrico.

- **Revise lo siguiente:**

¿Se ha enchufado el cable eléctrico en un contacto de tres terminales con conexión a tierra?

¿Se ha cerrado bien la puerta de la lavadora?

¿Se ha seleccionado un ciclo, pero no se ha seleccionado START sosteniéndolo durante un segundo?

¿Se ha abierto la puerta después de haberse terminado el ciclo anterior?

## La lavadora no se llena, ni lava ni enjuaga

- **Revise lo siguiente:**

¿Se ha enchufado el cable eléctrico en un contacto de tres terminales con conexión a tierra?

¿Hay corriente en el enchufe? Revise la fuente de electricidad o llame a un electricista.

¿Están abiertos los grifos del agua fría y del agua caliente?

¿Está retorcida la manguera de entrada del agua?

¿Están obstruidos los filtros de la válvula de entrada?

---

## La lavadora se detiene

---

### ■ Revise lo siguiente:

¿Se ha enchufado el cable eléctrico en un contacto de tres terminales con conexión a tierra?

¿Hay corriente en el enchufe?

Revise la fuente de electricidad o llame a un electricista.

¿Hay un fusible de la casa fundido o se disparó el cortacircuitos? Reemplace el fusible o reposicione el cortacircuitos. Si el problema continúa, llame a un electricista.

¿Está usando un cable eléctrico de extensión?

No use un cable eléctrico de extensión.

---

## La lavadora no escurre ni exprime

---

### ■ ¿Se ha obstruido la manguera de desagüe, o el extremo de la manguera de desagüe está a una altura mayor de 96" (2,4 m) del piso?

### ■ ¿Está bajo el voltaje?

Revise la fuente de electricidad o llame a un electricista. No use un cable eléctrico de extensión.

### ■ ¿Se ha activado la rutina de espuma "SUD"?

El ciclo concluirá una vez que se haya eliminado el exceso de espuma.

### ■ ¿Está balanceada la carga?

Un solo artículo o uno que sea voluminoso puede causar desequilibrio. Agregue más artículos o redistribuya la carga.

---

## La lavadora hace ruidos o vibra

---

### ■ ¿Está nivelada la lavadora?

La lavadora debe estar nivelada. Las cuatro patas deben instalarse correctamente, y las tuercas deben apretarse contra el gabinete de la lavadora.

Mientras se escurre el agua de la lavadora, usted podrá oír el aire que se succiona a través de la bomba. Esto ocurre durante la fase final del escurrido. Es normal.

### ■ ¿Está lavando artículos con broches metálicos a presión, hebillas o zippers?

Usted podrá escuchar el ruido producido por los artículos al tocar el tambor de la lavadora. Esto es normal.

### ■ ¿Se ha instalado la lavadora sobre un piso resistente y firme?

Consulte la sección "Instrucciones de instalación" para informarse respecto a los requisitos del piso. El ruido y la vibración pueden reducirse colocando un pedazo de madera laminada de ¾" (19,1 mm) debajo de su lavadora. La madera laminada puede extenderse debajo de la lavadora y la secadora para mantenerlas a la misma altura.

---

---

## Agua cerca de la lavadora

---

- Revise las tuberías del agua de la casa para ver si hay fugas.
- 

## Los depósitos están obstruidos o hay fugas

---

### ■ ¿Se han colocado los productos de lavandería en el compartimiento apropiado del depósito?

Agregue las cantidades adecuadas de detergente, suavizante de telas o blanqueador líquido con cloro en los compartimientos apropiados. Agregue el blanqueador que no decolora líquido o en polvo en el compartimiento del detergente.

Asegúrese de combinar el blanqueador en polvo no decolorante con el detergente en polvo o de combinar el blanqueador líquido no decolorante con el detergente líquido.

### ■ ¿Está el separador de detergente en la posición correcta?

El separador deberá estar en la posición frontal cuando se utilice detergente líquido y en la posición posterior cuando se utilice detergente en polvo.

---

## Olores de la lavadora

---

### ■ Vea "Cómo limpiar su lavadora" en "Cuidado de la lavadora".

### ■ ¿Está usando detergente de alto rendimiento (HE)?

Si se usa detergente que no es de alto rendimiento (HE), se pueden generar residuos de películas los que a su vez pueden producir olor.

### ■ ¿Dejó la puerta abierta después del uso?

Esta lavadora tiene un sello hermético que evita las fugas de agua. Para evitar olores, deje la puerta abierta para permitir que la lavadora se seque entre cada uso.

---

## Ropa demasiado mojada

---

### ■ ¿Ha empleado el ciclo apropiado para la ropa que está lavando?

Seleccione un ciclo con una velocidad de exprimido más alta.

### ■ ¿Ha lavado un solo artículo, artículos voluminosos o ha sobrecargado la lavadora?

Un solo artículo, los artículos voluminosos o la sobrecarga puede ocasionar el desequilibrio. Agregue prendas o trate de distribuir uniformemente la ropa mojada en el tambor, y ponga en marcha un ciclo de Desagüe y Exprimido (DRAIN & SPIN). Si la ropa continúa mojada, saque la mitad de la carga de la lavadora e inténtelo de nuevo.

---



---

## Residuos o pelusas en la ropa

---

- **¿Ha agregado detergente en el depósito?**  
Para obtener óptimos resultados, agregue detergente en el compartimiento del detergente. No agregue el detergente en el tambor de la lavadora.
- **¿Ha separado adecuadamente la ropa?**  
Separe la ropa que suelta pelusa (toallas, felpilla) de la ropa que atrae pelusa (pana, fibras sintéticas). Sepárelas también por color.
- **¿Ha sobrecargado la lavadora?**  
No sobrecargue la lavadora. La lavadora puede llenarse por completo, pero sin apretar la ropa. La carga debe estar equilibrada. La pelusa puede quedar atrapada en la carga si la lavadora está sobrecargada.
- **Revise lo siguiente:**  
¿Ha dejado papel o tisú en los bolsillos?
- **¿Ha utilizado suficiente detergente HE?**  
Use suficiente detergente para retirar la pelusa y mantenerla en suspensión. Use solamente detergente HE. Siga las instrucciones del fabricante para determinar la cantidad de detergente que debe usar.
- **¿Está la temperatura del agua debajo de 60°F (15,6°C)?**  
Si la temperatura del agua es inferior a 60°F (15,6°C), es posible que el detergente no se disuelva por completo.
- **¿Está usando un ciclo de lavado de baja velocidad?**  
Los detergentes en polvo quizás no se disuelvan bien en los ciclos de velocidad baja. Para obtener óptimos resultados, utilice detergente líquido para los ciclos de velocidad baja como Lavado a mano/Ropa delicada (Handwash/Delicate).

---

## Manchas en la ropa

---

- **¿Ha agregado detergente en el depósito?**  
Para obtener óptimos resultados, agregue detergente en el compartimiento del detergente. No agregue detergente en el tambor de la lavadora.
- **¿Ha utilizado suficiente detergente HE?**  
Use suficiente detergente para quitar la suciedad y mantenerla en suspensión. Use solamente detergente HE. Siga las instrucciones del fabricante para determinar la cantidad de detergente que debe usar.
- **¿Hay exceso de óxido de hierro (herrumbre) en el agua?**  
Quizás tenga que instalar un filtro de hierro.
- **¿Ha separado adecuadamente la ropa?**  
Separe las prendas de color oscuro de las de color blanco y claro.
- **¿Ha descargado la lavadora con prontitud?**  
Para evitar la transferencia de tintes, descargue la lavadora tan pronto se detenga.
- **¿Ha usado una bola con suavizante de telas?**  
Las bolas que distribuyen suavizante de telas no funcionan correctamente en esta lavadora. Agregue el suavizante líquido de telas en el compartimiento del suavizante de telas.
- **¿Ha usado detergente en polvo en un ciclo de baja velocidad?**  
Considere el empleo de un detergente líquido.

---

## La ropa está arrugada

---

- **¿Ha descargado la lavadora con prontitud?**  
Descargue la lavadora tan pronto se detenga.
- **¿Ha empleado el ciclo correcto para la carga que está lavando?**  
Utilice el ciclo de Lavado a Mano/Ropa delicada (Handwash/Delicate) u otro ciclo con velocidad baja de exprimido para reducir la formación de arrugas.
- **¿Ha sobrecargado la lavadora?**  
La carga deberá estar equilibrada y sin sobrecarga. Las cargas deben moverse con libertad durante el lavado.

---

## Blancos grisáceos, colores opacos

---

- **¿Ha separado adecuadamente la ropa?**  
Al mezclar ropa blanca y de color en una carga puede ocurrir transferencia de tintes. Separe las prendas de color oscuro de las de color blanco y claro.
- **¿Estaba la temperatura de lavado demasiado baja?**  
Lave con agua caliente o tibia que no dañe la ropa. Cerciórese de que el sistema de agua caliente sea el adecuado para proveer un lavado con agua caliente.
- **¿Ha usado suficiente detergente, o tiene un suministro de agua dura?**  
Use más detergente para lavar ropa con suciedad profunda en agua fría o dura.

---

## Ciclo demasiado prolongado

---

- **¿Aparece en la pantalla “SUD”?**  
Se ha detectado excesiva espuma y la rutina de espuma ha sido activada para eliminar el exceso. Esta rutina añadirá tiempo adicional al ciclo original.
- **¿Ha sido la carga lo que causa un desequilibrio?**  
Cuando hay demasiado desequilibrio, una rutina de desequilibrio comenzará a redistribuir la carga. Durante la rutina de desequilibrio, el tiempo en la pantalla puede hacer una pausa hasta que se complete esta actividad; luego reanudará el ciclo.
- **¿Ha seleccionado el ciclo de lavado a mano/ropa delicada (Handwash/Delicate)?**  
Cuando use los ciclos de lavado a mano/ropa delicada, debe poner cargas pequeñas. Esto le asegura un lavado delicado para sus prendas sin aumentar los tiempos del ciclo.

---

## La puerta está trabada al final del ciclo de lavado

---

- **¿Se ha escurrido toda el agua de la lavadora durante el período de exprimido?**  
Seleccione Desagüe y Exprimido (DRAIN & SPIN) para eliminar toda el agua que haya quedado en la lavadora. La puerta de la lavadora se destrabará al término del desagüe.

# TABLE DES MATIÈRES

<b>CONTRATS DE PROTECTION</b> .....	<b>50</b>
Aux États-Unis.....	50
Au Canada.....	51
<b>GARANTIE</b> .....	<b>51</b>
<b>SÉCURITÉ DE LA LAVEUSE</b> .....	<b>53</b>
<b>EXIGENCES D'INSTALLATION</b> .....	<b>54</b>
Outillage et pièces .....	54
Options .....	55
Exigences d'emplacement .....	55
Système de vidange.....	57
Spécifications électriques .....	58
<b>INSTRUCTIONS D'INSTALLATION</b> .....	<b>59</b>
Enlèvement du système de transport .....	59
Raccordement des tuyaux d'alimentation .....	59
Acheminement du tuyau de vidange .....	60
Immobilisation du tuyau de vidange .....	60
Réglage de l'aplomb de la laveuse .....	60
Achever l'installation.....	60
<b>CARACTÉRISTIQUES ET AVANTAGES</b> .....	<b>61</b>
<b>UTILISATION DE LA LAVEUSE</b> .....	<b>62</b>
Mise en marche de la laveuse.....	62
Utilisation du détergent approprié .....	62
Utilisation du distributeur .....	63
Pause ou remise en marche.....	64
Changement de programmes, options et modificateurs.....	64
Témoins lumineux .....	65
Programmes .....	65
Sons normaux .....	67
Options .....	67
Modificateurs.....	67
Guide de lessivage .....	68
<b>CONSEILS DE LESSIVAGE</b> .....	<b>69</b>
Chargement.....	69
<b>ENTRETIEN DE LA LAVEUSE</b> .....	<b>70</b>
Nettoyage de la laveuse.....	70
Tuyaux flexibles d'alimentation de la laveuse.....	71
Préparation avant les vacances, un entreposage ou un déménagement.....	72
<b>DÉPANNAGE</b> .....	<b>73</b>
<b>NUMÉROS DE SERVICE</b> .....	<b>COUVERTURE ARRIÈRE</b>

# CONTRATS DE PROTECTION

## Aux États-Unis

### Contrats principaux de protection

Nous vous félicitons d'avoir fait un achat judicieux. Votre nouveau produit Kenmore® est conçu et fabriqué pour vous procurer des années de fonctionnement fiable. Mais comme pour tous les produits, il pourra à l'occasion nécessiter un entretien préventif ou une réparation. Le cas échéant, un Contrat principal de protection peut vous épargner de l'argent et des soucis.

*Souscrivez dès maintenant un Contrat principal de protection et protégez-vous contre les dépenses et ennuis inattendus.*

Le Contrat principal de protection contribue aussi à prolonger la vie utile de votre nouveau produit. Voici ce qui est inclus dans le contrat :

- ✓ **Service expert** par nos 12 000 réparateurs professionnels
- ✓ **Service illimité et sans frais** pour les pièces et la main-d'œuvre pour toutes les réparations couvertes
- ✓ **Garantie "Anti-citron"** - remplacement de votre produit couvert si quatre pannes ou plus se produisent en deçà de douze mois
- ✓ **Remplacement du produit** si votre produit couvert ne peut être réparé
- ✓ **Vérification annuelle d'entretien préventif** sur demande - sans frais supplémentaires
- ✓ **Aide rapide au téléphone** - assistance téléphonique fournie par un technicien de Sears pour les produits réparables à domicile, plus un horaire de réparation commode
- ✓ **Protection contre les sautes de puissance** pour prévenir les dommages attribuables aux fluctuations de courant
- ✓ **Remboursement de location** si la réparation prend plus de temps que promis

Dès que vous souscrivez le Contrat, il suffit d'un simple appel téléphonique pour obtenir un rendez-vous de service. Vous pouvez appeler en tout temps jour et nuit ou prendre un rendez-vous de service en ligne.

Sears compte plus de 12 000 réparateurs professionnels qui ont accès à plus de 4,5 millions de pièces et accessoires de qualité. C'est le genre de professionnalisme sur lequel vous pouvez compter pour aider à prolonger la vie de votre nouvel achat pendant des années. Achetez votre Contrat principal de protection aujourd'hui même!

**Certaines limitations et exclusions s'appliquent. Pour des prix et renseignements supplémentaires, composer le 1-800-827-6655.**

### Service d'installation Sears

Pour l'installation professionnelle par Sears d'appareils ménagers, d'ouvre-portes de garage, de chauffe-eau et d'autres articles importants de la maison, aux É.-U. composer le **1-800-4-MY-HOME®**.

## Au Canada

### Contrats d'entretien

Votre achat a plus de valeur parce que vous pouvez compter sur Sears HomeCentral® pour le service. Avec plus de 2400 spécialistes formés et l'accès à plus d'un million de pièces et accessoires, nous avons les outils et les pièces ainsi que les connaissances et compétences pour remplir cette promesse que nous vous faisons : Nous assurons le service de nos produits.

Votre produit Kenmore® est conçu, fabriqué et vérifié pour qu'il puisse vous fournir de nombreuses années de service en toute confiance. Cependant, tout produit peut nécessiter des interventions de service de temps à autre. Le contrat d'entretien Sears vous offre un programme de service remarquable à un prix abordable.

### Le contrat d'entretien Sears

- Constitue une manière d'acheter un service pour demain au prix d'aujourd'hui
- Élimine les factures pour les réparations imputables à l'usure normale
- Fournit un support téléphonique assuré par un technicien de chez Sears pour les produits nécessitant une réparation à domicile
- Même si vous n'avez pas besoin de réparations, comprend une inspection annuelle d'entretien préventif (sur votre demande) pour maintenir votre appareil en bon état de fonctionnement.

**Certaines limitations s'appliquent. Pour plus de renseignements concernant les contrats d'entretien de Sears Canada, composer le 1-800-361-6665.**

# GARANTIE DES APPAREILS MÉNAGERS ET PIÉDESTAUX FACULTATIFS KENMORE ELITE®

### GARANTIE LIMITÉE DE UN AN

Lorsqu'il est installé, utilisé et entretenu conformément à toutes les instructions fournies avec le produit, si cet appareil ménager fait défaut par suite d'un vice de matériau ou de fabrication au cours de l'année qui suit la date d'achat, composer le 1-800-4-MY-HOME® pour obtenir une réparation gratuite.

### GARANTIE LIMITÉE À VIE SUR LE TAMBOUR EN ACIER INOXYDABLE

Pendant la durée de vie de la laveuse à partir de la date d'achat, lorsque celle-ci est installée, utilisée et entretenue conformément à toutes les instructions fournies avec le produit, Sears remplacera le tambour en acier inoxydable s'il existe des défauts de matériaux ou de main-d'œuvre. Après la première année, le client assume tous les frais de main-d'œuvre associés au remplacement de cette pièce.

### GARANTIE LIMITÉE DE DIX ANS SUR LA CUVE EN PLASTIQUE

Pendant dix ans à compter de la date d'achat, lorsque cette laveuse est installée, utilisée et entretenue conformément à toutes les instructions fournies avec le produit, Sears remplacera la cuve en plastique s'il existe des défauts de matériaux ou de main-d'œuvre. Après la première année, le client assume tous les frais de main-d'œuvre associés au remplacement de cette pièce.

### GARANTIE LIMITÉE DE CINQ ANS SUR LES PIÈCES DU SYSTÈME D'ENTRAÎNEMENT

Pendant cinq ans à compter de la date d'achat, lorsque cette laveuse est installée, utilisée et entretenue conformément à toutes les instructions fournies avec le produit, Sears remplacera les pièces suivantes du système d'entraînement s'il existe des défauts de matériaux ou de main-d'œuvre : poulie d'entraînement et courroie d'entraînement. Après la première année, le client assume tous les frais de main-d'œuvre associés au remplacement de ces pièces.

### GARANTIE LIMITÉE DE DEUX ANS SUR LE TABLEAU DE COMMANDE ÉLECTRONIQUE SENSOR SMART™

Pendant deux ans à compter de la date d'achat, lorsque cette laveuse est installée, utilisée et entretenue conformément à toutes les instructions fournies avec le produit, Sears remplacera le tableau de commande électronique s'il existe des défauts de matériaux ou de main-d'œuvre. Après la première année, le client assume tous les frais de main-d'œuvre associés au remplacement de ces pièces.

Si cet appareil ménager fonctionne à toute autre fin que l'utilisation familiale privée, la présente garantie ne s'appliquera que pendant 90 jours à partir de la date d'achat.

**LA PRÉSENTE GARANTIE COUVRE UNIQUEMENT LES VICES DE MATÉRIAUX ET DE FABRICATION. SEARS NE PAIERA PAS POUR :**

1. Les pièces courantes qui peuvent s'user suite à une utilisation normale, notamment les filtres, courroies, ampoules et sacs.
2. L'intervention d'un technicien pour montrer à l'utilisateur comment installer, utiliser et entretenir correctement le produit.
3. L'intervention d'un technicien pour nettoyer ou entretenir ce produit.
4. L'endommagement ou les défauts du produit si celui-ci n'est pas installé, utilisé ou entretenu conformément à toutes les instructions fournies avec le produit.
5. L'endommagement ou les défauts du produit résultant d'accident, usage impropre ou abusif ou utilisation autre que pour laquelle il est destiné.
6. L'endommagement ou les défauts du produit causés par l'utilisation de détergents, agents de nettoyage, produits chimiques ou ustensiles autres que ceux recommandés dans toutes les instructions fournies avec le produit.
7. L'endommagement ou les défauts des pièces ou systèmes résultant d'une modification non autorisée faite au produit.

**CLAUSE D'EXONÉRATION DE RESPONSABILITÉ AU TITRE DES GARANTIES IMPLICITES; LIMITATION DES RECOURS**

Le seul et exclusif recours du client dans le cadre de la présente garantie limitée consiste en la réparation prévue ci-dessus. Les garanties implicites, y compris les garanties applicables de qualité marchande et d'aptitude à un usage particulier, sont limitées à un an ou à la plus courte période autorisée par la loi. Sears n'assume aucune responsabilité pour les dommages fortuits ou indirects. Certains États ou certaines provinces ne permettent pas l'exclusion ou la limitation des dommages fortuits ou indirects, ou la limitation de la durée des garanties implicites de qualité marchande ou d'aptitude à un usage particulier, de sorte que cette exclusion ou limitation peut ne pas être applicable dans votre cas.

Cette garantie s'applique seulement lorsque cet appareil ménager est utilisé aux États-Unis et au Canada.

Cette garantie vous confère des droits juridiques spécifiques et vous pouvez également jouir d'autres droits qui peuvent varier d'un État à l'autre.

**Sears, Roebuck and Co.**  
**Dept. 817WA, Hoffman Estates, IL 60179**  
**Sears Canada Inc.**  
**Toronto, Ontario, Canada M5B 2B8**

**ENREGISTREMENT DU PRODUIT**

Dans l'espace ci-dessous, inscrire les numéros de modèle et de série complets et la date d'achat. Vous trouverez ces renseignements sur la plaque signalétique située sur le produit.

Gardez ces renseignements à disposition pour obtenir plus rapidement assistance ou service lorsque vous communiquez avec Sears au sujet de votre appareil ménager.

Numéro de modèle \_\_\_\_\_

Numéro de série \_\_\_\_\_

Date d'achat \_\_\_\_\_

**Conservez ces instructions et votre reçu de vente pour référence ultérieure.**

**ENREGISTREMENT DU PIÉDESTAL**

Dans l'espace ci-dessous, inscrire les numéros de modèle et de série complets et la date d'achat. Vous trouverez ces renseignements sur la plaque signalétique située sur le produit.

Gardez ces renseignements à disposition pour obtenir plus rapidement assistance ou service lorsque vous communiquez avec Sears au sujet de votre piédestal.

Numéro de modèle \_\_\_\_\_

Numéro de série \_\_\_\_\_

Date d'achat \_\_\_\_\_

**Conservez ces instructions et votre reçu de vente pour référence ultérieure.**

# SÉCURITÉ DE LA LAVEUSE

## Votre sécurité et celle des autres est très importante.

Nous donnons de nombreux messages de sécurité importants dans ce manuel et sur votre appareil ménager. Assurez-vous de toujours lire tous les messages de sécurité et de vous y conformer.



Voici le symbole d'alerte de sécurité.

Ce symbole d'alerte de sécurité vous signale les dangers potentiels de décès et de blessures graves à vous et à d'autres.

Tous les messages de sécurité suivront le symbole d'alerte de sécurité et le mot "DANGER" ou "AVERTISSEMENT". Ces mots signifient :

**⚠ DANGER**

Risque possible de décès ou de blessure grave si vous ne suivez pas immédiatement les instructions.

**⚠ AVERTISSEMENT**

Risque possible de décès ou de blessure grave si vous ne suivez pas les instructions.

Tous les messages de sécurité vous diront quel est le danger potentiel et vous disent comment réduire le risque de blessure et ce qui peut se produire en cas de non-respect des instructions.

## IMPORTANTES INSTRUCTIONS DE SÉCURITÉ

**AVERTISSEMENT :** Pour réduire les risques d'incendie, de choc électrique ou de blessures lors de l'utilisation de la laveuse, suivre les précautions fondamentales dont les suivantes :

- Lire toutes les instructions avant d'utiliser la laveuse.
- Ne pas laver des articles qui ont été nettoyés ou lavés avec de l'essence ou imbibés d'essence, solvants de nettoyage à sec, ou autres substances inflammables ou explosives; ces substances peuvent émettre des vapeurs susceptibles de s'enflammer ou d'exploser.
- Ne pas ajouter d'essence, solvant de nettoyage à sec ou autre produit inflammable ou explosif dans l'eau de lavage. Ces substances peuvent émettre des vapeurs susceptibles de s'enflammer ou d'exploser.
- Dans certaines conditions, de l'hydrogène gazeux peut se former dans un circuit d'eau chaude qui n'a pas été utilisé pendant 2 semaines ou plus. LE GAZ HYDROGÈNE EST EXPLOSIBLE. Si le circuit d'eau chaude n'a pas été utilisé pendant une telle période, avant d'utiliser la laveuse, ouvrir tous les robinets d'eau chaude et laisser l'eau s'écouler pendant plusieurs minutes par chaque robinet. Ceci permettra l'évacuation de l'hydrogène gazeux accumulé. Comme ce gaz est inflammable, ne pas fumer ou utiliser une flamme nue au cours de cette période.
- Ne pas laisser des enfants jouer sur ou à l'intérieur de la laveuse. Bien surveiller les enfants lorsque la laveuse est utilisée à proximité d'enfants.
- Avant de mettre la laveuse au rebut ou hors de service, enlever la porte ou le couvercle.
- Ne pas tenter d'atteindre un article à l'intérieur de la cuve de la laveuse lorsque le tambour, la cuve ou l'agitateur est en mouvement.
- Ne pas installer ou remiser cette laveuse à un endroit où elle serait exposée aux intempéries.
- Ne pas modifier les organes de commande.
- Ne pas réparer ou remplacer un composant quelconque de la laveuse, ni entreprendre une opération de service, si ce n'est spécifiquement recommandé dans ce manuel ou dans un manuel d'instructions de réparations destiné à l'utilisateur; il est alors essentiel que la personne concernée comprenne ces instructions et soit compétente pour les exécuter.
- Voir "Spécifications électriques" pour les instructions de liaison à la terre.

**CONSERVEZ CES INSTRUCTIONS**

# EXIGENCES D'INSTALLATION

## Outillage et pièces

Rassembler les outils et pièces nécessaires avant de commencer l'installation. Les pièces fournies se trouvent dans le tambour de la laveuse.

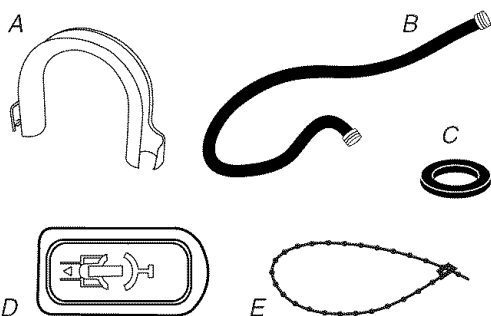
### Outils nécessaires pour raccorder les tuyaux d'arrivée d'eau

- Pince (ouverture jusqu'à 1 $\frac{1}{16}$ " [39,5 mm])
- Lampe de poche (facultative)

### Outils nécessaires pour l'installation

- Clé plate de 17 mm et de 13 mm
- Niveau
- Bloc de bois
- Règle ou ruban à mesurer

### Pièces fournies



A. Support de tuyau de vidange

B. Tuyau d'arrivée d'eau (2)

C. Rondelle du tuyau d'arrivée d'eau (4)

D. Bouchon du trou du boulon de transport (4)

E. Courroie perlée

### Autres pièces

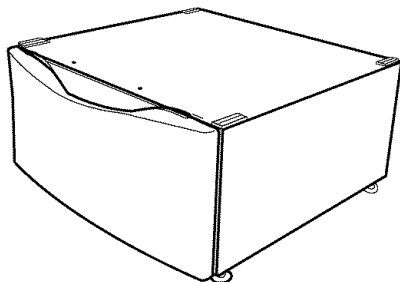
Les pièces indiquées sont disponibles à votre magasin Sears local ou du centre de service Sears. Pour obtenir plus de renseignements, veuillez composer le **1-800-4-MY-HOME® (1-800-469-4663)**.

Si vous avez	Il faudra acheter
Évier de buanderie ou tuyau de rejet à l'égout plus haut que 96" (2,4 m)	Système de pompe de puisard (si non déjà disponible)
Égout surélevé	Évier de vidange standard de 20 gal (76 L) et de 30" (76,2 cm) de hauteur ou évier utilitaire et pompe de puisard (disponibles chez votre fournisseur local d'articles de plomberie)
Vidange au plancher	Brise-siphon, pièce n° 285834; tuyau de vidange additionnel, pièce n° 8318155; et trousse de connexion, pièce n° 285835
Tuyau de vidange trop court	Trousse de rallonge de tuyau d'écoulement de 4 pi (1,2 m), pièce n° 285863
Robinets d'eau éloignés du tuyau d'entrée d'eau	2 tuyaux plus longs de remplissage d'eau : 6 pi (1,8 m) pièce n° 76314, 10 pi (3,0 m) pièce n° 350008

## Options

### Piédestal

Vous pouvez acheter des piédestaux de différentes hauteurs séparément pour cette laveuse. Vous pouvez choisir un piédestal de 13" (33 cm) ou de 15,5" (39,4 cm). Ne pas oublier que le piédestal ajoutera à la hauteur totale de la laveuse.



Piédestal facultatif

Le piédestal (avec tiroir de remisage) est disponible en plusieurs couleurs.

Pour commander, téléphoner à votre magasin Sears local. Pour obtenir plus de renseignements, veuillez composer le **1-800-4-MY HOME® (1-800-469-4663)**.

Hauteur du piédestal	Hauteur approximative avec laveuse	Couleur	Pièce n°
13" (33 cm)	51" (130 cm)	Blanc	42842
13" (33 cm)	51" (130 cm)	Biscuit	42844
13" (33 cm)	51" (130 cm)	Graphite	42846
15,5" (39,4 cm)	53" (135 cm)	Blanc	55842
15,5" (39,4 cm)	53" (135 cm)	Biscuit	55844
15,5" (39,4 cm)	53" (135 cm)	Graphite	55846
15,5" (39,4 cm)	53" (135 cm)	Bleu pacifique	55847
15,5" (39,4 cm)	53" (135 cm)	Champagne	55848
15,5" (39,4 cm)	53" (135 cm)	Sedona	55849

### Ensemble de superposition

Prévoyez-vous superposer votre laveuse et votre sècheuse Kenmore? Pour ce faire, vous trouverez l'ensemble de superposition (8541503) dans le tambour de la sècheuse Kenmore correspondante. Suivre les instructions incluses avec cet ensemble. Voir "Exigences d'emplacement".

## Exigences d'emplacement

Le choix d'un emplacement approprié pour la laveuse en améliore le rendement et réduit au minimum le bruit et le "déplacement" possible de la laveuse.

La laveuse peut être installée sous un comptoir sur mesure, dans un sous-sol, une salle de buanderie, un placard ou un encastrement. Voir "Système de vidange".

Les exigences d'un emplacement pour les appareils connexes doivent être également considérées. Il vous incombe d'assurer une installation appropriée.

### Il vous faudra

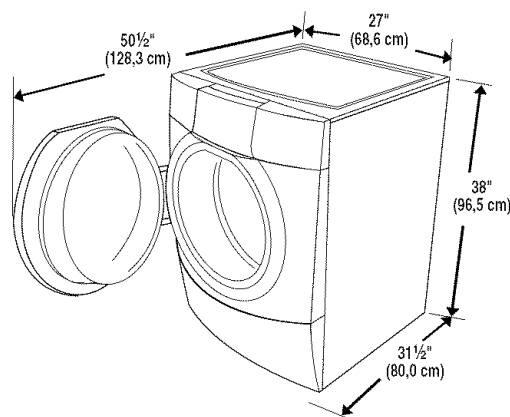
- Un chauffe-eau pour fournir de l'eau à 120°F (49°C) à la laveuse.
- Une prise électrique reliée à la terre située à moins de 6 pi (1,8 m) de la prise du cordon électrique se trouvant à l'arrière de la laveuse. Voir "Spécifications électriques".
- Des robinets d'eau chaude et d'eau froide situés à moins de 4 pi (1,2 m) des robinets de remplissage d'eau chaude et d'eau froide, et une pression d'eau de 20-100 lb/po<sup>2</sup> (137,9-689,6 kPa).
- Un plancher de niveau ayant une pente maximale de 1" (2,5 cm) sous toute la laveuse. L'installation de la laveuse sur des surfaces de sol molles, telles que tapis ou surfaces avec sous-couche en mousse, n'est pas recommandée.
- Un plancher robuste et solide pour supporter la laveuse dont le poids total (eau et charge) est de 400 lb (180 kg).

Ne pas faire fonctionner la laveuse à des températures au-dessous de 32°F (0°C). Une quantité d'eau peut demeurer dans la laveuse et causer des dommages à des températures basses.

### Dégagements de séparation à respecter

- L'emplacement doit être assez grand pour permettre d'ouvrir complètement la porte de la laveuse.
- On doit prévoir un peu plus d'espace pour faciliter l'installation et l'entretien.
- Un espace supplémentaire peut être requis pour les moulures de porte et de murs ainsi que pour les plinthes.
- Un espace supplémentaire de 1" (2,5 cm) de tous les côtés de la laveuse est recommandé pour réduire le transfert du bruit.
- Il faut aussi tenir compte de l'espace requis pour des appareils connexes.

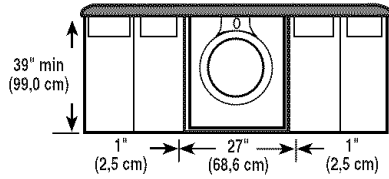
### Dimensions de la laveuse



### Espacement recommandé pour une installation personnalisée sous un comptoir

Les dimensions indiquées sont pour l'espacement recommandé.

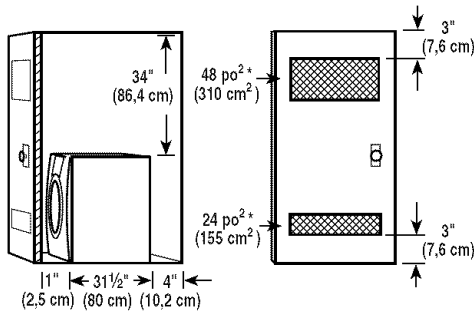
#### Installation personnalisée sous un comptoir - laveuse seulement



### Espacement recommandé pour une installation dans un encastrement ou dans un placard, avec ou sans piédestal

Les dimensions indiquées sont pour l'espacement recommandé.

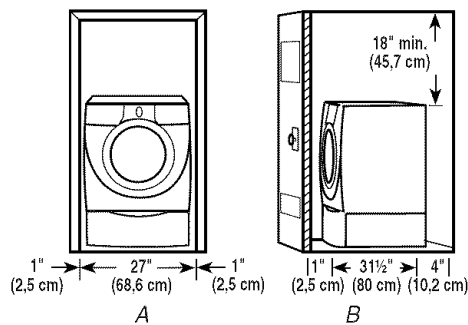
#### Installation dans un encastrement ou placard



A. Vue latérale - placard ou endroit exigu  
B. Porte de placard avec orifices d'entrée d'air

\*Orifices d'entrée d'air min. supérieurs et inférieurs pour porte de placard.

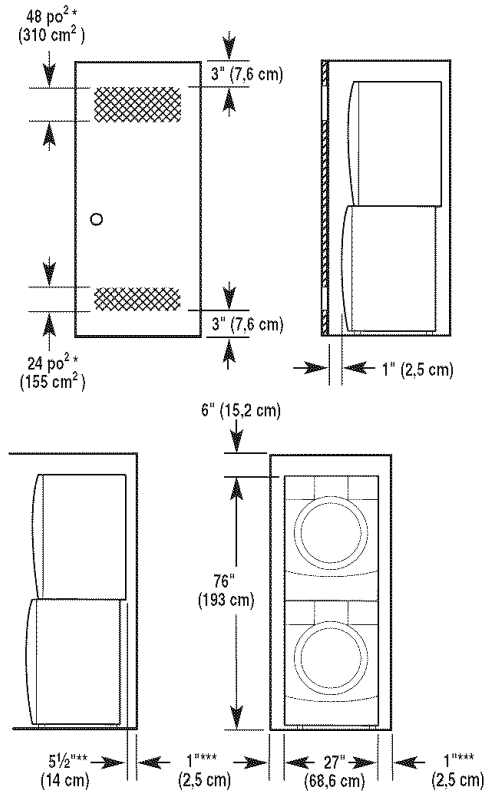
#### Installation dans un encastrement ou placard - laveuse sur piédestal



A. Encastrement  
B. Vue latérale - placard ou endroit exigu

### Espacement recommandé pour une installation dans un encastrement ou dans un placard, avec une laveuse et une sècheuse superposées

Les dimensions indiquées sont pour l'espacement recommandé.



\*Orifices d'entrée d'air min. supérieurs et inférieurs pour porte de placard.

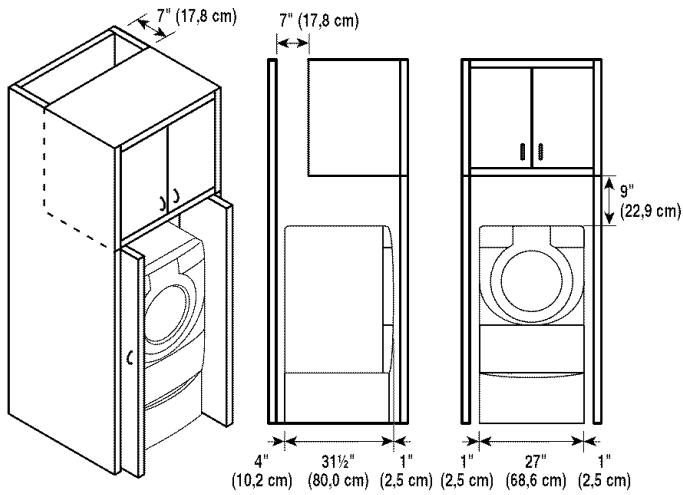
\*\*Espace supplémentaire nécessaire pour coude d'évacuation externe.

\*\*\*Un espace supplémentaire peut être nécessaire pour les moulures de mur, de porte et les plinthes.



## Espacement recommandé pour l'installation dans un placard

- Les dimensions indiquées sont pour l'espace recommandé.
- Pour installation dans un placard avec porte, on doit prévoir des ouvertures minimums d'entrée d'air au sommet du placard.



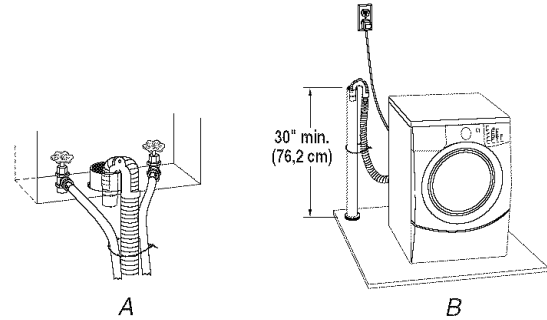
## Système de vidange

La laveuse peut être installée en utilisant le système de rejet à l'égout (au plancher ou mural), le système de vidange de l'évier de buanderie ou le système de vidange au plancher. Sélectionner la méthode d'installation du tuyau de vidange selon les besoins. Voir "Outillage et pièces".

## Système de rejet à l'égout - mural ou au plancher (Vues A et B)

Le système de rejet à l'égout nécessite un tuyau de diamètre minimum de 2" (5 cm). La capacité minimale d'acheminement ne doit pas être de moins de 17 gal (64 L) par minute.

Le sommet du tuyau de vidange doit être d'au moins 30" (76,2 cm) de haut et au maximum à 96" (2,4 m) de la base de la laveuse.



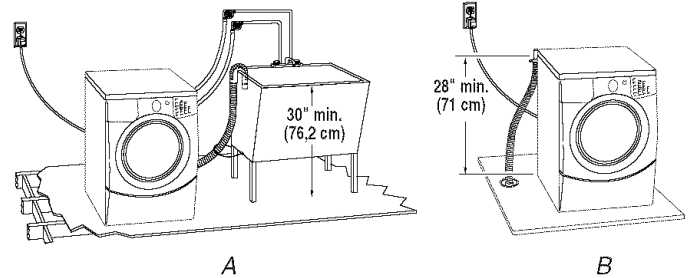
## Système de vidange de l'évier de buanderie (Vue A)

L'évier de buanderie doit avoir une capacité minimale de 20 gal (76 L). Le sommet de l'évier doit être à au moins 30" (76,2 cm) au-dessus du plancher.

## Système de vidange au plancher (Vue B)

Le système de vidange au plancher exige un brise-siphon qui peut être acheté séparément. Voir "Outillage et pièces".

Le brise-siphon doit être à un minimum de 28" (71 cm) de la base de la laveuse. D'autres tuyaux peuvent être requis.



## Spécifications électriques

### **⚠ AVERTISSEMENT**



#### Risque de choc électrique

**Brancher sur une prise à 3 alvéoles reliée à la terre.**

**Ne pas enlever la broche de liaison à la terre.**

**Ne pas utiliser un adaptateur.**

**Ne pas utiliser un câble de rallonge.**

**Le non-respect de ces instructions peut causer un décès, un incendie ou un choc électrique.**

- Une alimentation électrique de 120 volts, 60-Hz, CA seulement, de 15 ou 20 ampères, protégée par un fusible est requise. Un fusible temporisé ou disjoncteur est recommandé. Il est recommandé d'utiliser un circuit distinct pour alimenter seulement cet appareil.
- Cette laveuse est dotée d'un cordon d'alimentation avec fiche de branchement à 3 trois broches pour liaison à la terre.
- Pour minimiser le risque de choc électrique, le cordon doit être branché sur une prise de courant de configuration correspondante (3 alvéoles) reliée à la terre, conformément aux codes et règlements locaux. Si une prise de configuration correspondante n'est pas disponible, c'est au client qu'incombe la responsabilité et l'obligation personnelle de faire installer par un électricien qualifié une prise convenablement mise à la terre.
- Si les codes le permettent et si un conducteur distinct de mise à la terre est utilisé, il est recommandé qu'un électricien qualifié détermine que la liaison à la terre est adéquate.

- Ne pas effectuer de liaison à la terre sur une canalisation de gaz.
- En cas de doute concernant la qualité de la liaison à la terre de la laveuse, vérifier auprès d'un électricien qualifié.
- Ne pas utiliser un fusible dans le circuit neutre ou de liaison à la terre.

### **INSTRUCTIONS DE LIAISON À LA TERRE**

#### **Pour une laveuse reliée à la terre et connectée par un cordon :**

Cette laveuse doit être reliée à la terre. En cas d'anomalie de fonctionnement ou de panne, la liaison à la terre réduira le risque de choc électrique en offrant au courant électrique un itinéraire d'évacuation de moindre résistance. Cette laveuse est alimentée par un cordon électrique comportant un conducteur relié à la terre et une fiche de branchement munie d'une broche de liaison à la terre. La fiche doit être branchée sur une prise de courant appropriée qui est bien installée et reliée à la terre conformément à tous les codes et règlements locaux.

**AVERTISSEMENT :** Le raccordement incorrect de cet appareil au conducteur de liaison à la terre peut susciter un risque de choc électrique. En cas de doute quant à la qualité de la liaison à la terre de l'appareil, consulter un électricien ou technicien d'entretien qualifié.

Ne pas modifier la fiche de branchement fournie avec l'appareil – si la fiche ne correspond pas à la configuration de la prise de courant, demander à un électricien qualifié d'installer une prise de courant convenable.

#### **Pour une laveuse raccordée en permanence :**

Cette laveuse doit être raccordée à un système de câblage permanent en métal relié à la terre ou un conducteur relié à la terre doit être en fonction avec les conducteurs de circuit et raccordés à la borne de liaison à la terre ou la borne sur l'appareil ménager.

# INSTRUCTIONS D'INSTALLATION

## Enlèvement du système de transport

### **⚠ AVERTISSEMENT**

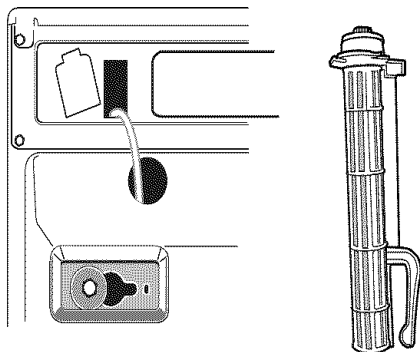
#### Risque du poids excessif

Utiliser deux ou plus de personnes pour déplacer et installer la laveuse.

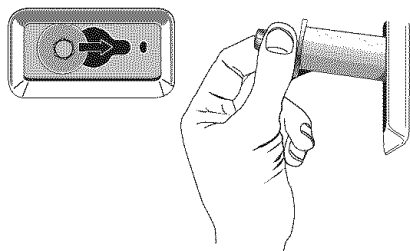
Le non-respect de cette instruction peut causer une blessure au dos ou d'autre blessure.

**IMPORTANT :** Positionner la laveuse de sorte que l'arrière de la machine soit à environ 3 pi (90 cm) de l'emplacement final.

On trouve sur le panneau arrière de la laveuse 4 boulons qui supportent le système de suspension durant le transport. Ces boulons retiennent également le cordon d'alimentation à l'intérieur de la laveuse jusqu'à ce qu'on les enlève.



1. Au moyen d'une clé de 13 mm, desserrer chacun des boulons.
2. Une fois le boulon desserré, le déplacer au centre du trou et le retirer complètement, y compris la cale d'espacement en plastique couvrant le boulon.



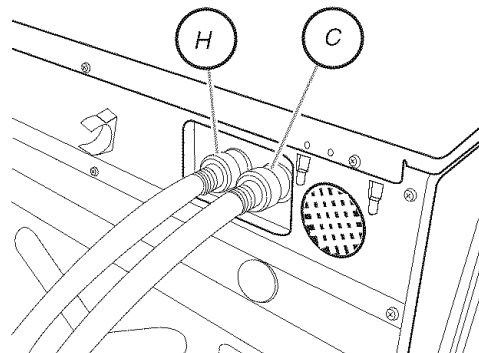
3. Lorsque les 4 boulons sont retirés, les jeter, ainsi que les cales d'espacement. Ensuite, tirer le cordon d'alimentation par l'ouverture du panneau arrière et boucher le trou avec le bouchon fourni.
4. Obturer les trous avec les 4 bouchons des boulons de transport.

**REMARQUE :** Si la laveuse doit être transportée à une date ultérieure, appeler votre centre local de service. Pour éviter d'endommager la suspension et la structure de la laveuse, celle-ci doit être correctement réinstallée par un technicien certifié.

## Raccordement des tuyaux d'alimentation

S'assurer que le tambour de la laveuse est vide.

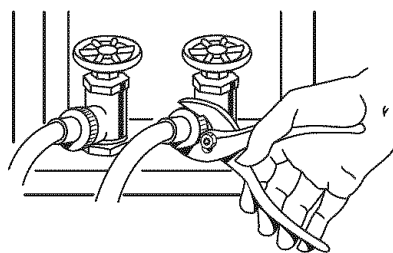
1. Raccorder le tuyau à indicateur rouge à la valve du tuyau d'alimentation d'eau chaude (à gauche). Le fait d'attacher d'abord le tuyau à raccord rouge permet de resserrer plus facilement la connexion avec la pince. Visser le raccord à la main jusqu'à ce qu'il soit bien fixé à la laveuse.
2. Raccorder le tuyau à indicateur bleu à la valve du tuyau d'alimentation d'eau froide (à droite). Visser complètement le raccord à la main jusqu'à ce qu'il soit bien fixé à la laveuse.



3. À l'aide d'une pince, vérifier l'étanchéité des raccords de tuyaux déjà reliés à la laveuse.

**REMARQUE :** Ne pas serrer excessivement. Le raccord risque d'être endommagé.

4. Raccorder le tuyau à indicateur rouge au robinet d'eau chaude. Visser le raccord à la main jusqu'à ce qu'il soit bien fixé à la laveuse.
5. Raccorder le tuyau à indicateur bleu au robinet d'eau froide. Visser le raccord à la main jusqu'à ce qu'il soit bien fixé à la laveuse.
6. Terminer le serrage des raccords en effectuant deux tiers de tour avec une pince.



**REMARQUE :** Ne pas serrer excessivement. Le raccord risque d'être endommagé.

7. Ouvrir les robinets d'eau et vérifier s'il y a des fuites.

**REMARQUE :** Remplacer les tuyaux d'arrivée d'eau après 5 ans d'utilisation pour réduire le risque de défaillance intempestive. Prendre note de la date d'installation ou de remplacement des tuyaux d'arrivée d'eau, pour référence ultérieure.

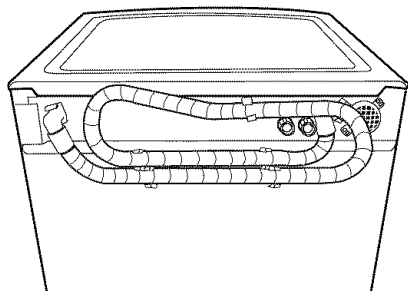
Inspecter périodiquement les tuyaux; les remplacer en cas de renflement, de déformations, de coupures, d'usure ou de fuite.

## Acheminement du tuyau de vidange

Le bon acheminement du tuyau de vidange protège vos planchers contre les dommages imputables à une fuite d'eau. Lire et suivre ces instructions.

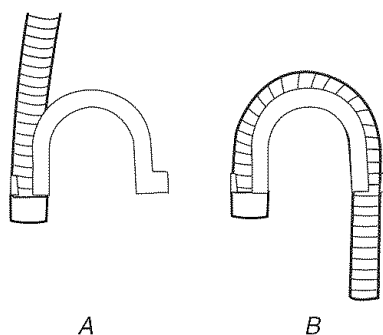
### Libération du tuyau d'évacuation fixé sur la caisse

Tirer doucement pour dégager le tuyau d'évacuation (matériau ondulé) des agrafes d'arrimage.



### Décharge de l'eau de lavage dans un évier de buanderie ou tuyau de rejet à l'égout

Connecter le support de tuyau sur le tuyau d'évacuation ondulé.



- A. Emboîter une extrémité ou l'autre du support de tuyau sur le tuyau d'évacuation, au point de commencement des ondulations.
- B. Plier le tuyau d'évacuation pour le mettre au contact du support de tuyau, et emboîter l'autre extrémité du support sur le tuyau.

### Pour empêcher l'eau de vidange de refluer dans la laveuse :

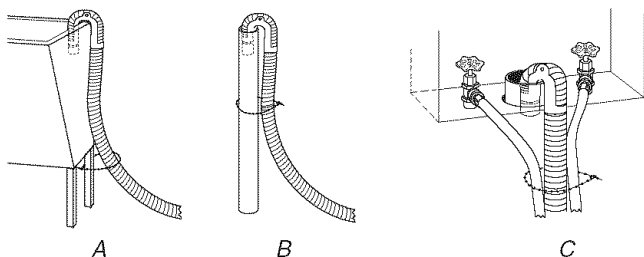
- Ne pas redresser le tuyau de vidange ni forcer l'excédent de tuyau dans le tuyau de rejet à l'égout. Le tuyau doit être bien immobilisé, tout en permettant le passage d'air.
- Ne pas mettre l'excédent du tuyau de vidange au fond de l'évier de buanderie.

### Égout au plancher

Il vous faudra peut-être des pièces supplémentaires. Voir Vidange au plancher dans "Outillage et pièces".

## Immobilisation du tuyau de vidange

1. Faire passer le cordon d'alimentation par-dessus la laveuse.
2. Fixer le tuyau de vidange au pied de l'évier de buanderie ou au tuyau rigide de rejet à l'égout avec la courroie perlée fournie. (Voir les illustrations A et B.)



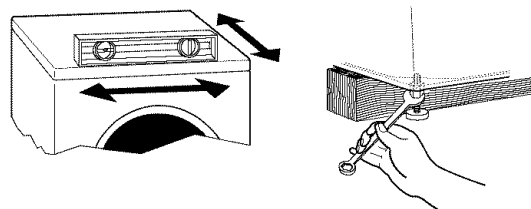
Si les robinets d'eau et le tuyau rigide de rejet à l'égout sont placés en retrait (voir l'illustration C), introduire l'extrémité en col de cygne du tuyau de vidange dans le tuyau rigide de rejet à l'égout. Attacher fermement les tuyaux d'arrivée d'eau et le tuyau de vidange ensemble, avec la courroie perlée.

Ne pas forcer l'excédent du tuyau de vidange dans le tuyau rigide de rejet à l'égout.

## Réglage de l'aplomb de la laveuse

Un bon aplomb de la laveuse évite le bruit et les vibrations excessifs.

1. Vérifier l'aplomb en plaçant un niveau sur le bord supérieur de la laveuse, transversalement, puis dans le sens avant arrière.



Si la laveuse est contre un mur, la déplacer légèrement avant de l'incliner vers l'arrière. Si la laveuse n'est pas d'aplomb, soulever d'abord l'avant avec un bloc de bois et ajuster le déploiement des pieds selon le besoin, puis soulever l'arrière et ajuster le déploiement des pieds selon le besoin. Répéter ceci jusqu'à l'aplomb parfait de la laveuse.

2. S'assurer que les quatre pieds de nivellement sont bien stables et en contact avec le sol. Puis vérifier que l'appareil est parfaitement d'aplomb (à l'aide d'un niveau).
3. Après avoir réglé l'aplomb de la laveuse, utiliser une clé plate de 17 mm pour visser les écrous sur les pieds fermement contre la caisse de la laveuse.

**IMPORTANT :** Les 4 pieds doivent être bien serrés. Si les écrous ne sont pas bloqués contre la caisse de la laveuse, la laveuse peut vibrer.

La machine ne doit bouger ni d'avant en arrière, ni transversalement ou en diagonale, lorsque l'on pousse sur les bords de la plaque supérieure.

4. Faire glisser la laveuse à son emplacement final.
5. Confirmer l'aplomb de la laveuse.

## Achever l'installation

1. Consulter les spécifications électriques. Vérifier que la tension électrique disponible est correcte et que la prise de courant est convenablement reliée à la terre. Voir "Spécifications électriques".
2. Vérifier que toutes les pièces sont installées. S'il reste une pièce, passer en revue les différentes étapes pour découvrir laquelle aurait été oubliée.
3. S'assurer d'avoir récupéré tous les outils.
4. Jeter ou recycler tous les matériaux d'emballage.
5. Vérifier que chaque robinet d'arrivée d'eau est ouvert.

6. Vérifier s'il y a des fuites autour des robinets et des tuyaux d'arrivée d'eau.

**⚠ AVERTISSEMENT**



**Risque de choc électrique**

**Brancher sur une prise à 3 alvéoles reliée à la terre.**

**Ne pas enlever la broche de liaison à la terre.**

**Ne pas utiliser un adaptateur.**

**Ne pas utiliser un câble de rallonge.**

**Le non-respect de ces instructions peut causer un décès, un incendie ou un choc électrique.**

7. Brancher sur une prise à 3 alvéoles reliée à la terre.
8. Lire "Utilisation de la laveuse".
9. Pour tester et nettoyer la laveuse, mesurer la moitié de la quantité normale recommandée de détergent en poudre ou liquide Haute efficacité (HE) pour une charge de taille moyenne. Verser le détergent dans le distributeur de détergent. Sélectionner NORMAL/CASUAL (Normal/tout-aller), puis START (Mise en marche). Laisser la machine exécuter un programme complet.



Utiliser uniquement un détergent "HE" Haute efficacité.

## CARACTÉRISTIQUES ET AVANTAGES

### Commandes électroniques SENSOR SMART™

Les commandes électroniques flexibles sont faciles à utiliser que vous soyez un novice ou un expert.

### Distributeurs intelligents

Les distributeurs intelligents rendent votre laveuse vraiment automatique. Cette laveuse fournit un distributeur à trois compartiments qui comprend des compartiments séparés pour le détergent, l'assouplissant de tissu, et l'eau de Javel. Le distributeur comporte de grandes zones de versement, est autonettoyant et peut être facilement retiré. Les produits de lessive sont dilués à l'eau fraîche et ajoutés à la charge au moment approprié durant le programme de lavage.

### Niveau d'eau automatique

Cette caractéristique qui s'ajuste en fonction du volume de la charge, permet à la laveuse d'utiliser la quantité d'eau minimale nécessaire pour nettoyer et rincer les vêtements. Avec un niveau d'eau bas, vous pouvez obtenir les mêmes résultats avec de plus petites quantités d'additifs. Parce qu'elle n'utilise que la quantité d'eau requise, la laveuse économise aussi de l'énergie.

### Action de nettoyage CATALYST® à injection directe

Une solution concentrée de détergent est aspergée sur les vêtements au début du programme de telle sorte que le détergent entre en contact avec les vêtements le plus rapidement possible et enlève les taches de vos vêtements sans prétraitement.

### Charges plus grosses

Comme il n'y a pas d'agitateur, vous pouvez laver des articles plus gros et plus épais tel qu'un sac de couchage de grandeur moyenne. Vous pouvez aussi laver plus de vêtements à la fois, ce qui veut dire moins de charges. Vous pouvez laver un oreiller ou un gros oursin rembourré.

### Système de suspension

Pour réduire le "déplacement" de la laveuse et les conditions de "déséquilibre", votre nouvelle laveuse combine :

- 2 ressorts pour isoler la vibration
- 4 amortisseurs de choc à la base de la laveuse pour minimiser le mouvement

### Tambour en acier inoxydable

Le tambour en acier inoxydable élimine la corrosion et permet des vitesses d'essorage plus élevées pour une extraction plus forte d'eau ce qui réduit le temps de séchage.

### Moteur adaptatif à vitesse variable

Le moteur s'adapte au volume de la charge et au programme choisi pour donner les meilleures conditions de nettoyage, rinçage et essorage. Le moteur peut tourner aux vitesses lentes nécessaires pour les lainages et articles délicats, mais il est assez puissant pour essorer une charge volumineuse à 1 050 tr/min.

### Système de lavage à haute efficacité

Votre nouvelle laveuse à haute efficacité à chargement frontal fait économiser du temps grâce à des charges moins nombreuses et plus grosses, conserve les ressources et diminue vos frais d'eau et d'énergie.

### Vitesses d'essorage

Cette laveuse choisit automatiquement la vitesse d'essorage en fonction du programme choisi. Toutefois, ce réglage en usine peut être changé. Cette laveuse offre jusqu'à cinq choix de vitesses différentes d'essorage.

### Commande automatique de la température (CAT)

La CAT détecte électroniquement et maintient une température d'eau uniforme. La CAT régule l'entrée d'eau chaude et d'eau froide. La CAT est automatiquement activée lorsqu'un programme est sélectionné.

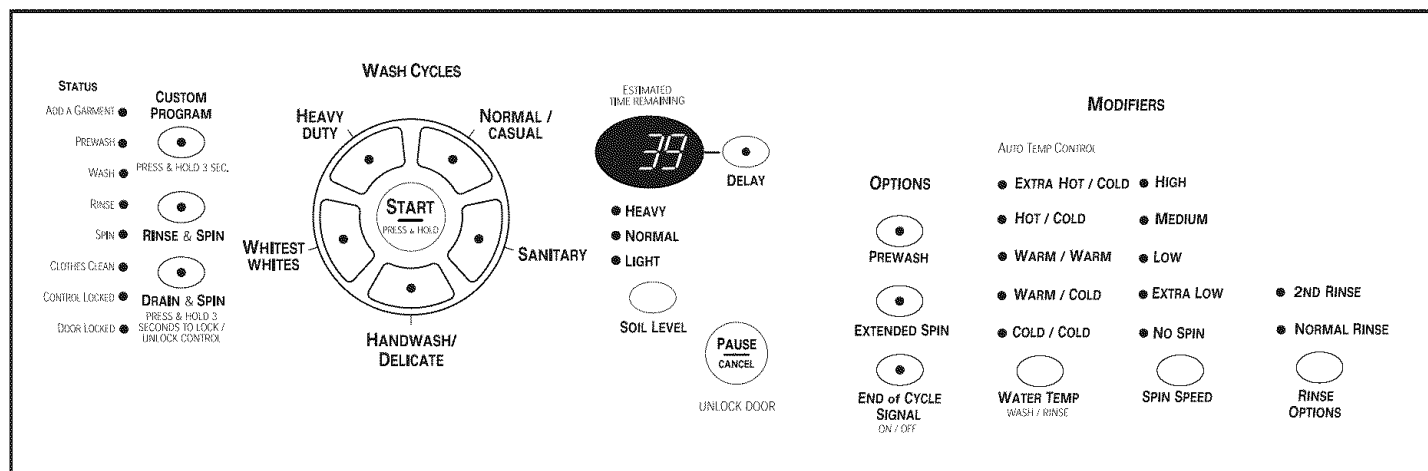
### Add A Garment (Ajouter un vêtement)

Lorsque cette option est disponible au début du programme, le témoin lumineux Add A Garment s'allume pendant les 8 premières minutes. Avec cette laveuse, on dispose d'une période de 8 minutes pendant laquelle les vêtements oubliés peuvent être ajoutés à la charge.

### Équilibre dynamique

Un système d'équilibrage de précision qui permet à la laveuse d'atteindre une vitesse d'essorage de 1 050 tr/min. La laveuse tourne plus rapidement de telle sorte que les vêtements essorés sécheront plus rapidement. De plus, si le système d'équilibre dynamique détecte une charge déséquilibrée durant l'essorage, il redistribue les vêtements pour rétablir l'équilibre.

# UTILISATION DE LA LAVEUSE



## Mise en marche de la laveuse

le meilleur rendement. Suivre les recommandations du fabricant pour déterminer la quantité de détergent à utiliser.

## ⚠️ AVERTISSEMENT



### Risque d'incendie

**Ne jamais mettre des articles humectés d'essence ou d'autres fluides inflammables dans la laveuse.**

**Aucune laveuse ne peut complètement enlever l'huile.**

**Ne pas faire sécher des articles qui ont été salis par tout genre d'huile (y compris les huiles de cuisson).**

**Le non-respect de ces instructions peut causer un décès, une explosion ou un incendie.**

**AVERTISSEMENT :** Pour réduire le risque d'incendie, de choc électrique ou de blessures corporelles, lire les INSTRUCTIONS IMPORTANTES DE SÉCURITÉ avant de faire fonctionner cet appareil.

Le texte suivant est un guide pour l'utilisation de votre laveuse. Se référer aux sections spécifiques de ce manuel pour des renseignements plus détaillés.

Ne pas remiser des produits de lessive sur le dessus de cette laveuse. La vibration est normale au cours du fonctionnement.

## Utilisation du détergent approprié

Utiliser uniquement des détergents Haute efficacité. Pour ce type de détergent, "HE" ou "Haute efficacité" sera mentionné sur l'emballage. Ce système de lavage, utilisant moins d'eau, provoquera trop de mousse avec un détergent ordinaire non-HE. L'utilisation d'un détergent ordinaire est susceptible d'occasionner des erreurs de la part de la laveuse, des durées de programmes plus longues et une performance de rinçage réduite. Ceci peut aussi entraîner des défaillances des composants et une moisissure perceptible. Les détergents HE sont conçus pour produire la quantité de mousse adéquate pour



Utiliser uniquement un détergent "HE" Haute efficacité.

### Premier programme de lavage sans linge à laver

Avant de laver le linge pour la première fois, choisir le programme Normal/Casual (Normal/tout-aller) et l'exécuter sans linge. Utiliser la moitié de la quantité normale recommandée de détergent Haute efficacité (HE) en poudre ou liquide pour une charge de taille moyenne. Le programme initial sert à assurer que l'intérieur est propre avant de laver le linge.

#### 1. Pour charger la laveuse

Ouvrir la porte de la laveuse en tirant sur la poignée. Trier le linge d'après la couleur et le type de tissu. Placer une charge de linge trié dans la laveuse. Ne pas surcharger la laveuse. Une charge excessive peut causer un nettoyage médiocre.

- La laveuse peut être bien remplie mais le linge ne doit pas être tassé. La porte de la laveuse devrait se fermer facilement.
- Mélanger les gros articles avec les petits articles. Ne pas laver un seul article à la fois. Charger la laveuse uniformément.
- Laver les petits articles tels que les chaussettes d'enfants dans un sac en filet pour le linge. Il est recommandé d'utiliser plus d'un sac de linge et de remplir chaque sac avec des quantités similaires.
- Lorsqu'on enlève le linge, vérifier occasionnellement sous le joint de couleur grise à l'avant de la cuve pour repérer les petits articles.

2. Fermer la porte de la laveuse en la poussant fermement jusqu'à ce que le verrou s'enclenche. La porte de la laveuse demeurera verrouillée durant le programme de lavage.

**REMARQUE :** Lorsque tout programme de lavage est achevé, la porte doit être ouverte et ensuite fermée avant qu'un nouveau programme puisse commencer. La porte peut être ouverte seulement si la touche PAUSE/CANCEL (Pause/annulation) est choisie lorsque le témoin lumineux ADD A GARMENT (Ajouter un vêtement) s'allume ou si le programme a été annulé. Voir "Pour annuler un programme" dans la section "Changement de programmes, options et modificateurs".

3. Ouvrir le tiroir distributeur et ajouter les produits de lessive au compartiment de détergent, d'eau de Javel ou d'assouplissant de tissu. Fermer le tiroir lentement pour éviter les renversements. Voir "Utilisation du distributeur".
4. Mettre la laveuse en marche en choisissant l'un des WASH CYCLES (programmes de lavage). Le témoin lumineux pour le programme choisi s'allumera. Lors de la sélection d'un programme de lavage, les options préréglées, la température de l'eau, la vitesse d'essorage et le niveau de saleté pour le programme choisi s'allumeront. L'affichage indique le temps restant estimé. Les réglages préréglés fournissent le soin recommandé pour les tissus pour le programme sélectionné. Voir "Programmes".
5. Choisir les OPTIONS désirées. Toutes les options ne sont pas disponibles avec tous les programmes. Voir "Options".
6. Choisir les MODIFIERS (Modificateurs) désirés. Tous les modificateurs ne sont pas disponibles avec tous les programmes et toutes les options. Voir "Modificateurs".
7. Si désiré, choisir END OF CYCLE SIGNAL (Signal de fin de programme). Le signal est utile lorsqu'on lave des articles qui devraient être enlevés de la laveuse dès qu'elle s'arrête. Sélectionner ON (marche) ou OFF (arrêt).
8. **Pour commencer immédiatement le programme de lavage**  
Sélectionner et appuyer sur START (environ 1 seconde).
  - Si vous ne sélectionnez pas START moins de 5 minutes après avoir choisi un programme, la laveuse s'arrêtera automatiquement.
  - Lorsque le programme de lavage est achevé, le témoin lumineux indiquant CLOTHES CLEAN (Linge propre) s'allume, la porte se déclenche et la charge de lavage peut être retirée de la laveuse. La laveuse est désactivée automatiquement 5 minutes après la fin d'un programme et le témoin CLOTHES CLEAN (linge propre) s'éteint. Pour désactiver la laveuse manuellement après la fin du programme de lavage, sélectionner PAUSE/CANCEL (Pause/annulation) une fois.
9. **Pour commencer le programme de lavage plus tard**  
Sélectionner DELAY (Différé) jusqu'à ce que le délai désiré (en heures) apparaisse sur l'afficheur du temps restant estimé. Appuyer sur START. Le compte à rebours avant le programme de lavage sera indiqué sur l'afficheur. Utiliser un détergent en poudre pour éviter des taches de détergent sur les vêtements.  
**IMPORTANT** : En cas de mise en marche différée d'un programme, utiliser seulement des détergents en poudre dans le compartiment de lavage principal car les détergents liquides risquent de suinter hors du compartiment avant le début du programme de lavage.

### Utilisation du distributeur

Votre nouvelle laveuse comporte un tiroir distributeur avec trois compartiments séparés pour vos additifs de lessive — un pour le détergent, un pour l'eau de Javel et un autre pour l'assouplissant de tissu liquide. Les additifs de lessive sont dilués et distribués automatiquement au moment approprié durant le programme de lavage, ce qui évite à l'utilisateur de retourner à la laveuse durant le programme pour ajouter ces produits.

Il est normal que de petites quantités d'eau demeurent dans les distributeurs lorsque le programme de lavage est achevé.

Ne pas placer d'additifs de lessive directement dans la cuve de lavage. Toujours utiliser les distributeurs appropriés lors de l'addition de additifs de lessive.

### Choix du détergent approprié

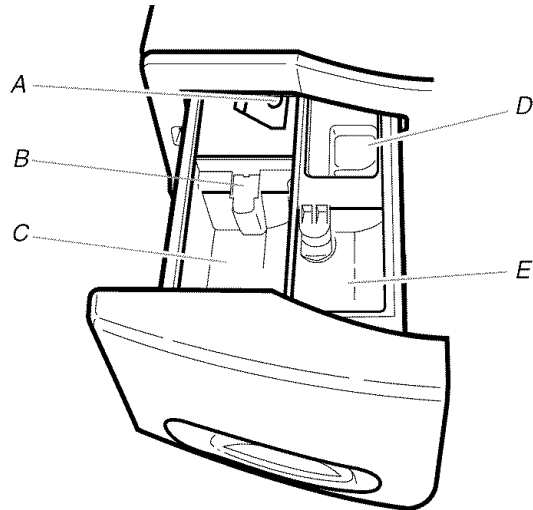
Utiliser uniquement des détergents Haute efficacité. Pour ce type de détergent, "HE" ou "Haute efficacité" sera mentionné sur l'emballage. Ce système de lavage, utilisant moins d'eau, provoquera trop de mousse avec un détergent ordinaire non-HE. L'utilisation d'un détergent ordinaire est susceptible d'occasionner des erreurs de la part de la laveuse, des durées de programmes plus longues, une performance de rinçage réduite et peut entraîner des défaillances des composants et une moisissure perceptible. Les détergents HE sont conçus pour produire la quantité de mousse adéquate pour le meilleur rendement. Suivre les recommandations du fabricant pour déterminer la quantité de détergent à utiliser.



Utiliser uniquement un détergent "HE" Haute efficacité.

### Pour remplir les compartiments du distributeur

1. Tirer le tiroir distributeur.
2. Ajouter le produit de lessive désiré dans le compartiment approprié.
3. Pousser complètement et lentement le tiroir distributeur (pour éviter les renversements).



Distributeur

- A. Levier de dégagement du distributeur
- B. Séparateur
- C. Compartiment pour détergent du lavage principal
- D. Compartiment pour eau de Javel
- E. Compartiment pour assouplissant de tissu

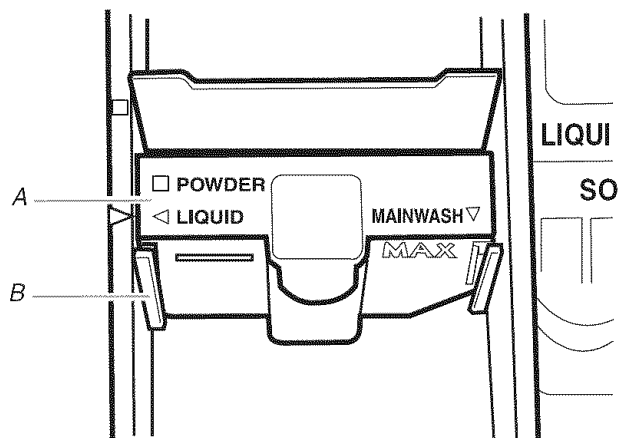
### Compartiment pour détergent du lavage principal

(Lettre C dans l'illustration des compartiments)

Ajouter le détergent liquide ou en poudre HE à ce compartiment pour votre programme de lavage. Le séparateur de détergent doit toujours être en place en avant ou en arrière.

- Programme différé : Utiliser seulement des détergents en poudre dans le compartiment du lavage principal car les détergents liquides peuvent couler hors du compartiment pendant le délai avant que le programme de lavage commence.
- Ne pas remplir au-delà du niveau "MAX". Utiliser la quantité de détergent recommandée par le fabricant en fonction de la taille de la charge.
- De l'eau de Javel liquide ou en poudre sans danger pour les couleurs, peut être ajoutée au compartiment pour détergent du lavage principal avec le même type de détergent, liquide ou en poudre.

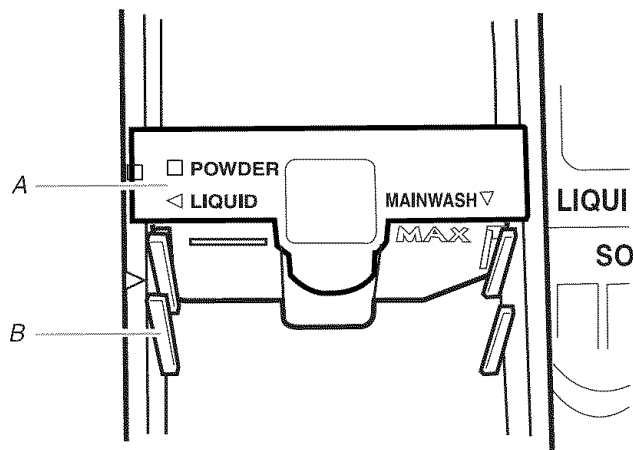
- Détergent liquide : Placer le séparateur à la position avant, entre les guides, tel qu'illustré ci-après. Il n'y aura pas d'écart entre le fond du compartiment pour détergent du programme de lavage et le fond du séparateur.



Séparateur en position avant, entre les guides

A. Séparateur  
B. Guide

- Détergent en poudre : Placer le séparateur à la position arrière, derrière les guides, tel qu'illustré ci-après. Il y aura un écart entre le fond du compartiment pour détergent du programme de lavage et le fond du séparateur.



Séparateur à la position arrière, derrière les guides

A. Séparateur  
B. Guide

**REMARQUE :** Le séparateur est expédié de l'usine en position poudre (arrière).

### Compartiment pour eau de Javel

(Lettre D dans l'illustration des distributeurs)

Ne pas ajouter plus de 1/3 tasse (80 mL) d'eau de Javel dans ce compartiment. L'eau de Javel sera automatiquement diluée et distribuée au moment approprié durant le premier rinçage après le programme de lavage. Ce compartiment ne peut pas diluer un agent de blanchiment en poudre.

- Toujours mesurer l'eau de Javel. Utiliser une tasse à mesurer avec un bec verseur et éviter l'à-peu-près.

- Ne pas remplir au-delà du niveau "MAX".

**REMARQUE :** Le remplissage excessif pourrait causer de sérieux dommages aux vêtements.

### Compartiment pour assouplissant de tissu

(Lettre E dans l'illustration des distributeurs)

Ajouter 1/4 de tasse (60 mL) d'assouplissant de tissu liquide dans ce compartiment. L'assouplissant sera automatiquement distribué lors du rinçage final.

- Ne pas remplir au-delà du niveau "MAX".

### Pause ou remise en marche

1. Pour faire une pause de la laveuse à tout moment, sélectionner PAUSE/CANCEL (Pause/annulation).
2. Pour continuer le programme, sélectionner et appuyer sur START (Mise en marche) (environ 1 seconde).

### Changement de programmes, options et modificateurs

Les options et modificateurs ne sont pas tous disponibles avec tous les programmes. Les programmes, options et modificateurs peuvent être changés à tout moment avant que START (Mise en marche) soit sélectionné.

Les options et les modificateurs peuvent être changés à tout moment après que START (Mise en marche) a été sélectionné et avant la mise en marche de l'option ou du modificateur sélectionné.

#### Pour annuler un programme et sélectionner un nouveau programme

1. Sélectionner PAUSE/CANCEL (Pause/annulation) deux fois.
2. Sélectionner le programme désiré.
3. Sélectionner les OPTIONS ou MODIFIERS (Modificateurs) désirés.
4. Sélectionner et appuyer sur START (environ 1 seconde) pour remettre la laveuse en marche au commencement d'un nouveau programme.

#### Pour annuler un programme

1. Sélectionner PAUSE/CANCEL (Pause/annulation) deux fois.
2. La laveuse est désactivée, la porte se déclenche et le linge peut être enlevé.

**REMARQUE :** Si le niveau d'eau ou la température sont trop élevés, la laveuse se vidangera automatiquement avant que la porte se déclenche.

#### Pour changer les options ou modificateurs après le commencement d'un programme

1. Sélectionner PAUSE/CANCEL (Pause/annulation) une fois.
2. Sélectionner les OPTIONS ou MODIFIERS (Modificateurs) désirés.
3. Sélectionner et appuyer sur START (environ 1 seconde) pour continuer le programme.

#### Pour vidanger la laveuse manuellement

1. Sélectionner PAUSE/CANCEL (Pause/annulation) une fois.
2. Sélectionner DRAIN & SPIN (Vidange et essorage).
3. Sélectionner et appuyer sur START (environ 1 seconde) pour commencer la vidange.
4. Lorsque l'essorage est achevé, la porte se déverrouille. Les articles peuvent être enlevés de la laveuse.



## Témoins lumineux

Ces témoins lumineux montrent quelle portion du programme de la laveuse est en cours. Ils indiquent aussi quand vous pouvez ajouter un autre article au programme de lavage et quand les commandes sont verrouillées.



### Ajouter des articles

Avec cette laveuse, on dispose d'une période de 8 minutes pendant laquelle des vêtements oubliés peuvent être ajoutés à la charge. On peut ajouter des articles à la laveuse si le témoin lumineux ADD A GARMENT (Ajouter un vêtement) s'allume.

#### Pour ajouter des articles

1. Sélectionner PAUSE/CANCEL (Pause/annulation) une fois. La porte de la laveuse se déclenche et des articles peuvent être ajoutés.
2. Pour continuer le programme, fermer la porte et sélectionner et appuyer sur START (environ 1 seconde).
3. Pour déverrouiller la porte après la période Add A Garment, appuyer deux fois sur Pause/Cancel (Pause/annulation). Ceci annulera le programme de lavage.

### Clothes Clean (Linge propre)

Le témoin lumineux Clothes Clean (linge propre) reste allumé pendant 5 minutes après la fin du programme. Puis la laveuse se désactivera.

### Verrouillage des commandes

La caractéristique Control Lock (verrouillage des commandes) empêche l'utilisation non intentionnelle de la laveuse. Vous pouvez aussi utiliser la caractéristique de verrouillage des commandes pour empêcher les changements de programme ou d'option involontaires au cours d'un programme. Lorsque le témoin CONTROL LOCKED (Commande verrouillée) est allumé, tous les boutons sont désactivés, sauf Pause/Cancel (Pause/annulation) et Start (Mise en marche). Vous pouvez verrouiller les commandes de la laveuse pendant qu'elle est en fonctionnement.

#### Pour verrouiller les commandes

Sélectionner et appuyer sur DRAIN & SPIN (Vidange et essorage) pendant 3 secondes.



Le témoin lumineux CONTROL LOCKED (Commande verrouillée) s'allume.

### Pour déverrouiller les commandes

Sélectionner et appuyer sur DRAIN & SPIN (Vidange et essorage) pendant 3 secondes jusqu'à ce que le témoin lumineux CONTROL LOCKED (Commande verrouillée) s'éteigne.

### Door Lock (Verrouillage de la porte)

Lorsque le témoin est illuminé, la porte est verrouillée.

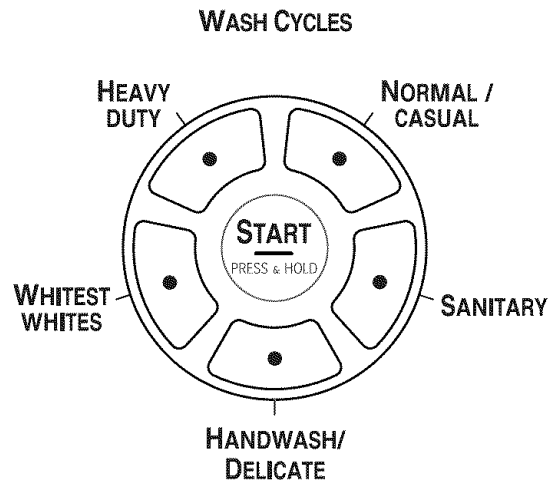
### Temps restant estimé

Les durées des programmes varient selon la pression de l'eau, la température de l'eau, le détergent et la charge de linge. La durée du programme peut se prolonger en cas d'excès de mousse ou de déséquilibre de la charge. L'action anti-mousse enlève le surplus de mousse et garantit le rinçage adéquat de vos vêtements. L'affichage du temps marquera une pause jusqu'à ce que cette activité soit terminée, puis reprendra pour le reste du programme.

## Programmes

### Programmes de lavage

Choisir les programmes de lavage en sélectionnant le bouton à côté du programme désiré. Chaque programme est conçu pour des types différents de tissus et de niveaux de saleté.



- Chaque programme comporte un niveau de saleté (durée du programme), une température de l'eau, et une vitesse d'essorage pré-réglés et peut également comporter des options pré-réglées. Les réglages pré-réglés fournissent les soins recommandés des tissus pour le programme choisi.
- Les réglages pré-réglés peuvent être changés en tout temps avant que START (Mise en marche) ne soit sélectionné. Tous les modificateurs et options ne sont pas disponibles avec tous les programmes. Pour changer les réglages après que le programme a été mis en marche, sélectionner PAUSE/CANCEL (Pause/annulation) une fois, ensuite choisir les réglages désirés. Sélectionner et appuyer sur START (environ 1 seconde) pour continuer le programme.

## Préréglages des programmes

Chaque programme a un temps de programme, une température de l'eau, et une vitesse d'essorage pré-réglés. Les réglages pré-réglés fournissent les soins recommandés des tissus pour le programme choisi. Voir le tableau.

Programme	Niveau de saleté (hr:min)	Température de l'eau	Vitesse d'essorage
<b>Whitest Whites (Blancs les plus blancs)</b>	Heavy (Intense) (1:10)	Hot/Cold (Chaude/Froide)	High (Élevée)
<b>Heavy Duty (Service intense)</b>	Heavy (Intense) (1:00)	Hot/Cold (Chaude/Froide)	High (Élevée)
<b>Normal/Casual (Normal/Tout-aller)</b>	Normal (0:45)	Warm/Cold (Tiède/Froide)	High (Élevée)
<b>Sanitary (Assainissement)</b>	Heavy (Intense) (2:00)	Extra Hot/Cold (Extra chaude/Froide)	High (Élevée)
<b>Handwash/Delicate (Lavage à la main/Tissus délicats)</b>	Normal (0:35)	Cold/Cold (Froide/Froide)	Extra Low (Très basse)
<b>Rinse &amp; Spin (Rinçage et essorage)</b>	Normal (0:20)	Cold/Cold (Froide/Froide)	High (Élevée)
<b>Drain &amp; Spin (Vidange et essorage)</b>	Normal (0:12)	N/A	High (Élevée)

### Whitest Whites (Blancs les plus blancs)

Ce programme est spécialement conçu pour nettoyer des charges de tissus blancs salis, avec l'addition d'eau de Javel. Les températures de lavage à l'eau chaude assurent l'activité idéale de l'eau de Javel. Un rinçage additionnel fournit un rendement idéal de rinçage pour éviter les résidus de chlore sur votre linge. Ce programme combine le culbutage à vitesse rapide, un temps de lavage prolongé, et un essorage à vitesse élevée pour raccourcir le temps de séchage.

### Heavy Duty (Service intense)

Utiliser ce programme pour laver des charges de tissus épais, de couleurs grand teint, et les vêtements très sales. Ce programme combine un culbutage à vitesse rapide, un temps de lavage prolongé, et un essorage à vitesse élevée pour raccourcir les temps de séchage.

### Normal/Casual (Normal/Tout-aller)

Utiliser ce programme pour laver des charges de tissus n'exigeant pas de repassage tels que chemises de sport, chemisiers, vêtements tout-aller pour le bureau, mélanges de textiles à pressage permanent, cotons et lin, ainsi que tissus synthétiques. Ce programme combine le culbutage à vitesse moyenne, l'essorage à haute vitesse, et un procédé de refroidissement de la charge pour réduire le froissement.

## Sanitary (Assainissement)

Utiliser ce programme pour nettoyer des tissus aux couleurs grand teint très sales. Ce programme combine une température de l'eau très chaude et un culbutage à vitesse élevée pour garantir le retrait des taches intenses. Il est recommandé de régler votre chauffe-eau sur 120°F (49°C) pour garantir le meilleur rendement durant ce programme. Le programme d'assainissement aide également à éliminer 99,999% de 3 bactéries infectieuses communes, même sans utilisation d'eau de Javel. Une vitesse d'essorage élevée aide à diminuer le temps de séchage.

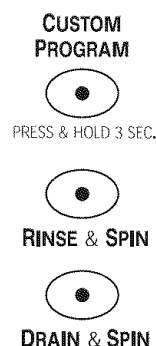
## Handwash/Delicate (Lavage à la main/Tissus délicats)

Utiliser ce programme pour nettoyer les vêtements lavables à la main et demandant un soin spécial. Ce programme combine le culbutage à basse vitesse et un essorage très basse vitesse pour le soin des tissus délicats.

- Utiliser des sacs en filet pour laver les sous-vêtements tels que les soutiens-gorge à armature, les articles avec cordons et les articles de petite taille tels que les chaussettes.

## Programmes additionnels

Sélectionner le bouton pour le programme désiré.



On peut changer la sélection n'importe quand avant la sélection de START (Mise en marche).

### Custom Program (Programme personnalisé)

Custom Program (Programme personnalisé) vous permet d'enregistrer un programme de lavage personnalisé pour une prochaine utilisation.

#### Pour personnaliser un programme de lavage :

1. Sélectionner un programme.
2. Sélectionner les OPTIONS (options) désirées.
3. Sélectionner les MODIFIERS (modificateurs) désirés.
4. Pour enregistrer le programme, sélectionner et appuyer sur Custom Program (Programme personnalisé) pendant environ 3 secondes jusqu'à ce qu'un signal retentisse. Le programme personnalisé est maintenant mémorisé pour usage ultérieur.
5. Appuyer sur START (Mise en marche).

Pour réutiliser ce programme, sélectionner CUSTOM PROGRAM (Programme personnalisé) et appuyer sur START (Mise en marche).

### Rinse & Spin (Rinçage et essorage)

Utiliser ce programme pour obtenir un rinçage et un essorage seulement. Ce programme combine le culbutage à vitesse rapide et un essorage à vitesse élevée. Si désiré, il est possible de réduire la vitesse d'essorage en choisissant la vitesse désirée du modificateur SPIN SPEED (Vitesse d'essorage).

#### Rinse & Spin (Rinçage et essorage) est utile pour

- Les charges qui ont seulement besoin d'être rincées.
- L'addition d'assouplissant de tissu à une charge en utilisant le distributeur d'assouplissant.

## Drain & Spin (Vidange et essorage)

Utiliser ce programme pour vidanger votre laveuse ou pour vidanger et essorer votre charge de linge. La vitesse d'essorage est pré réglée à élevée. Si désiré, il est possible de réduire la vitesse d'essorage en choisissant la vitesse désirée du modificateur SPIN SPEED (Vitesse d'essorage).

**REMARQUE :** Les charges de tissus synthétiques, tissus délicats, articles lavables à la main, et lainages, doivent être vidangés sans essorage ou à essorage faible pour éviter d'étirer les tissus.

## Sons normaux

Comme avec tout produit neuf, on entendra des sons qui ne sont pas familiers. On peut entendre divers sons lorsque la porte est verrouillée et déverrouillée, et durant le lavage, le rinçage et l'essorage. Entre les changements des actions de lavage, il y aura des pauses momentanées. On entendra l'aspersion et l'éclaboussement de l'eau durant les programmes de lavage et de rinçage. Ces nouveaux sons et pauses font partie du fonctionnement normal de la laveuse. Voir "Dépannage".

## Options

On peut personnaliser son lavage en ajoutant des options à ses sélections de programme. On peut ajouter ou changer l'option après avoir commencé un programme n'importe quand avant que l'option sélectionnée commence. Toutes les options ne sont pas disponibles avec tous les programmes.

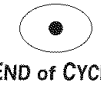
### OPTIONS



PREWASH



EXTENDED SPIN



END of CYCLE  
SIGNAL  
ON / OFF

- Voir la section "Guide de lessivage" pour un aperçu des options possibles pour chaque sélection de programme de lavage.
- Vous pouvez choisir plus d'une option par programme. Certaines options ne peuvent pas être ajoutées à certains programmes.
- Si une option est disponible avec un programme sélectionné, le témoin lumineux pour cette option s'allumera lorsqu'elle est sélectionnée.
- Si une option n'est pas disponible avec un programme sélectionné, il y aura un bref signal sonore et le témoin lumineux pour cette option ne s'allumera pas lorsqu'elle est sélectionnée.

## Prewash (Pré lavage)

Utiliser cette option pour les charges très sales qui ont besoin de prétraitement.

- Ajouter le détergent au compartiment de lavage principal dans le tiroir distributeur.
- Utiliser un détergent en poudre pour éviter une distribution prématurée des additifs de lessive dans le système de lavage.

Cette option ajoute un temps de culbutage avant le programme principal sélectionné. La laveuse enchaîne automatiquement du programme de pré lavage au programme de lavage principal.

## Extended Spin (Essorage prolongé)

Utiliser cette option pour ajouter un essorage additionnel à tout programme pour réduire le temps de séchage de certains tissus épais ou articles nécessitant un soin spécial, ce qui permet d'économiser l'énergie.

## End of Cycle Signal (Signal de fin de programme)

Ce signal est utile lorsque vous retirez des articles de la laveuse dès son arrêt. Sélectionner ON (Marche) ou OFF (Arrêt).

## Modificateurs

Les réglages pré réglés de programmes de Wash/Rinse Temp (Température de lavage/rinçage), Spin Speed (Vitesse d'essorage) et Soil Level (Niveau de saleté) peuvent être changés. Un modificateur peut être changé après la mise en marche d'un programme à tout moment avant que le modificateur choisi commence. Tous les modificateurs ne sont pas disponibles avec toutes les options et tous les programmes.

### MODIFIERS

AUTO TEMP CONTROL

● EXTRA HOT / COLD ● HIGH

● HOT / COLD ● MEDIUM

● WARM / WARM ● LOW

● WARM / COLD ● EXTRA LOW

● 2ND RINSE

● COLD / COLD

● NO SPIN

● NORMAL RINSE



WATER TEMP  
WASH / RINSE



SPIN SPEED



RINSE  
OPTIONS

- Pour changer la température de l'eau, sélectionner le bouton WATER TEMP (Température de l'eau) jusqu'à ce que le réglage désiré s'allume.
- Pour changer la vitesse d'essorage, sélectionner le bouton SPIN SPEED (Vitesse d'essorage) jusqu'à ce que le réglage désiré s'allume.

● HEAVY

● NORMAL

● LIGHT



SOIL LEVEL

- Pour changer le temps du programme, sélectionner le bouton SOIL LEVEL (Niveau de saleté).

## 2nd Rinse (2e rinçage)

Un deuxième rinçage peut être utilisé pour enlever plus facilement tout résidu de détergent ou d'agent de blanchiment présent sur les vêtements. Cette option fournit un rinçage supplémentaire à la même température qu'au premier rinçage. C'est le réglage de rinçage par défaut pour le programme Whitest Whites (Blancs les plus blancs).

## Normal Rinse (Rinçage normal)

Consiste en un rinçage en deux étapes pour le linge de tous les jours.

### Wash/Rinse Temp (Température de lavage/rinçage)

Sélectionner une température d'eau en fonction du type de charge à laver. Utiliser l'eau la plus tiède favorable au tissu. Suivre les instructions sur l'étiquette du vêtement.

Les rinçages tièdes laissent les charges plus sèches que les rinçages froids. Les rinçages tièdes augmentent le froissement. Dans les climats froids, un rinçage tiède rend la charge plus confortable à manipuler. Les rinçages froids économisent l'énergie.

### Guide de température

Température de l'eau de lavage	Tissus suggérés
<b>EXTRA HOT (Très chaude)</b>	Tissus robustes aux couleurs grand teint Saletés intenses
<b>HOT (Chaude)</b>	Blancs et pastels Saletés intenses
<b>WARM (Tiède)</b>	Couleurs vives Saletés de modérées à légères
<b>COLD (Froide)</b>	Couleurs qui déteignent ou s'atténuent Saletés légères

*Dans les températures d'eau de lavage plus froides que 60°F (15,6°C), les détergents ne se diluent pas bien. Les saletés peuvent être difficiles à enlever.*

### Auto Temp Control (Commande automatique de température)

La CAT (Commande automatique de température) détecte électroniquement et maintient une température d'eau uniforme. La CAT ajuste l'eau chaude et l'eau froide à l'entrée de la laveuse. La CAT est automatiquement activée lorsqu'un programme est sélectionné. Voir "Réglage d'un programme préréglé" dans "Programmes".

- La CAT agit pour le réglage de température de lavage avec Extra Hot/Cold (Très chaude/Froide), Hot/Cold (Chaude/Froide), Warm/Warm (Tiède/Tiède), Warm/Cold (Tiède/Froide) et Cold/Cold (Froide/Froide).
- La fonction CAT fonctionne pour la température de rinçage avec le réglage Warm/Warm (tiède/tiède).
- Les températures de rinçage froides dépendent de l'eau froide à votre robinet.

## Guide de lessivage

Se référer à ce tableau pour des types de charges suggérés et leurs programmes correspondants. À droite se trouvent les options disponibles pour chacun de ces programmes.

PROGRAMME	TYPE DE CHARGE SUGGÉRÉ	PREWASH (Prélavage)	RINSE OPTIONS (Options de rinçage)	EXTENDED SPIN (Essorage prolongé)
<b>Whitest Whites (Blancs les plus blancs)</b>	Tissus blancs sales	✓	✓	✓
<b>Heavy Duty (Service intense)</b>	Vêtements robustes, aux couleurs grand teint et très sales.	✓	✓	✓
<b>Normal/Casual (Normal/Tout-aller)</b>	Articles normalement sales en polyester, nylon, coton, lin ou mélanges de coton, tels que chemisiers, chemises, salopettes, etc.	✓	✓	✓
<b>Sanitary (Assainissement)</b>	Articles très sales tels que sous-vêtements, serviettes, vêtements de travail, couches, etc.	✓	✓	✓
<b>Hand Wash/Delicate (Lavage à la main/Articles délicats)</b>	Rideaux et vêtements délicats. Articles demandant un soin spécial et marqués "Lavable à la main".		✓	

# CONSEILS DE LESSIVAGE

## Préparation des vêtements pour le lavage

Suivre les recommandations suivantes pour prolonger la vie de vos vêtements.

- Utiliser uniquement des détergents Haute efficacité. Pour ce type de détergent, "HE" ou "Haute efficacité" sera mentionné sur l'emballage. Ce système de lavage, utilisant moins d'eau, provoquera trop de mousse avec un détergent ordinaire non-HE. L'utilisation d'un détergent ordinaire est susceptible d'occasionner des erreurs de la part de la laveuse, des durées de programmes plus longues et une performance de rinçage réduite. Elle peut aussi entraîner des défaillances des composants et une moisissure perceptible. Les détergents HE sont conçus pour produire la quantité de mousse adéquate pour le meilleur rendement. Suivre les recommandations du fabricant pour déterminer la quantité de détergent à utiliser.



*Utiliser uniquement un détergent HE Haute efficacité.*

- Fermer les fermetures à glissière, les boutons pression et les agrafes pour éviter d'accrocher d'autres articles. Enlever les épingles, les boucles et autres objets durs pour éviter d'égratigner l'intérieur de la laveuse. Ôter les garnitures et les ornements non lavables.
- Vider les poches et les retourner.
- Retourner les revers et enlever la charpie et la poussière avec une brosse.
- Retourner les tricotés synthétiques pour éviter le boulochage.
- Attacher les cordons et les ceintures-écharpes pour empêcher l'emmêlement.
- Réparer les déchirures, les ourlets et coutures décousus.
- Traiter les taches et les salissures.
- Les vêtements tachés ou mouillés doivent être lavés sans délai pour obtenir les meilleurs résultats.
- Mélanger les petits articles avec les gros, éviter de laver un article seul et répartir la charge de façon égale dans la laveuse.
- Laver les petits articles, tels que les chaussettes d'enfants, dans un sac en filet pour le linge. Pour obtenir une charge équilibrée, il est recommandé d'utiliser plus d'un sac pour le linge, et de remplir chaque sac avec des quantités similaires.

**REMARQUE :** Si vous lavez uniquement des articles de petite taille, il est recommandé d'utiliser plus d'un sac, et de remplir chaque sac avec des quantités similaires.

## Tri

- Séparer les articles très sales des articles légèrement sales, même si on les lave normalement ensemble. Séparer les articles qui forment de la charpie (serviettes, chenille) des articles qui attrapent la charpie (velours côtelé, synthétique, pressage permanent). Dans la mesure du possible, retourner les articles qui forment de la charpie.
- Séparer les couleurs foncées des couleurs claires et les articles grand teint des articles qui déteignent.
- Trier en fonction des tissus et de la confection (cotons solides, tricotés, articles délicats).

## Déchargement

- Retirer les vêtements de la laveuse une fois que le programme est terminé. Des objets en métal comme les fermetures à glissière, les boutons-pression et les boucles peuvent rouiller si on les laisse longtemps dans le panier de la laveuse.
- Lorsqu'on retire le linge, vérifier de temps en temps sous le joint de couleur grise à l'avant de la cuve qu'il n'y ait pas de petits articles coincés.

## Chargement

### Suggestions de chargement (capacité maximale de charge)

#### Vêtements de travail lourds

4 jeans	2 survêtements (bas)
4 pantalons	2 survêtements (haut)
4 chemises	

#### Serviettes

10 serviettes de bain	14 débarbouillettes
10 serviettes à main	

#### Charge mixte

3 draps (1 très grand, 2 simples)	9 tee-shirts
4 taies d'oreiller	9 shorts
3 chemises	10 mouchoirs
3 chemisiers	

#### Articles délicats

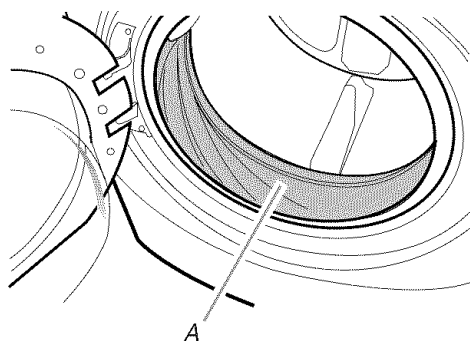
3 maillots de corps	2 soutiens-gorge
4 jupons	2 chemises de nuit
4 culottes	

# ENTRETIEN DE LA LAVEUSE

## Nettoyage de la laveuse

### Nettoyage du joint de la porte

1. Ouvrir la porte de la laveuse et retirer tout vêtement ou article de la laveuse.
2. Examiner le joint de couleur grise entre l'ouverture de la porte et le panier pour déceler des zones tachées. Tirer sur le joint pour examiner toutes les zones sous le joint et voir s'il n'y a pas d'objets étrangers.



A. Joint

3. Si des zones tachées sont décelées, essuyer ces zones en respectant la procédure indiquée ci-dessous.
  - a) Mélanger une solution diluée en utilisant  $\frac{3}{4}$  de tasse (177,4 mL) d'agent de blanchiment liquide et 1 gal. (3,8 L) d'eau tiède du robinet.
  - b) Essuyer la zone du joint avec la solution diluée, en utilisant un chiffon humide.
  - c) Laisser agir pendant 5 minutes.
  - d) Essuyer la zone complètement avec un chiffon sec et laisser l'intérieur de la laveuse sécher avec la porte ouverte.

### IMPORTANT :

- Porter des gants en caoutchouc en cas de nettoyage pendant une période prolongée.
- Consulter les instructions du fabricant de l'agent de blanchiment pour une utilisation correcte.

### Procédure d'entretien mensuel de la laveuse

La laveuse comporte un programme spécial incorporé dans la programmation de la machine. En appuyant sur une combinaison spécifique de boutons, vous aurez accès à ce programme de nettoyage. Ce programme utilise des volumes d'eau plus importants en combinaison avec l'agent de blanchiment liquide pour nettoyer à fond l'intérieur de la machine à laver.

### REMARQUES :

- Lire ces instructions complètement avant de débuter la procédure de nettoyage.
- Si nécessaire, le programme de nettoyage peut être interrompu en appuyant sur le bouton PAUSE/CANCEL (pause/annulation). Cependant, ceci n'arrêtera pas immédiatement le programme. La machine affichera "int" (interruption) et poursuivra avec plusieurs rinçages et vidanges afin d'évacuer toute trace d'agent de blanchiment de laveuse.

### Début de la procédure

1. Ouvrir la porte de la laveuse et retirer tout vêtement ou article de la laveuse.
2. Vérifier que la porte est fermée.
3. Ouvrir le tiroir distributeur et ôter la cloison du compartiment du détergent de lavage principal; mettre la cloison de côté. Voir "Utilisation du distributeur" pour des instructions. Aucun additif de lessive ne sera ajouté à ce stade; il sera nécessaire d'ajouter uniquement de l'agent de blanchiment, lors d'une étape ultérieure.
4. Pour accéder au programme, il faut appuyer sur une combinaison spécifique de boutons.
  - Sélectionner le bouton RINSE & SPIN (rinçage et essorage).
  - Sélectionner la vitesse LOW SPIN (essorage à basse vitesse).
  - Sélectionner la température de l'eau Warm/Cold (tiède/froide).
  - Sélectionner l'option 2ND RINSE (2e rinçage).
  - Appuyer 4 fois sur le bouton END of CYCLE SIGNAL (signal de fin de programme) dans les 5 secondes pour mettre le programme en marche. La porte se verrouillera et le remplissage débutera.

**REMARQUE :** L'eau sera d'abord distribuée pendant une certaine période dans la laveuse, puis la porte se déverrouillera, se verrouillera à nouveau, et enfin le programme se poursuivra.

- La machine se remplira et effectuera un court programme de détection. Ceci prendra environ 3 minutes.

5. La machine émettra 4 brefs signaux sonores. Observer l'afficheur de la durée résiduelle estimée pour identifier les codes indiqués ci-dessous.

a) Si la laveuse affiche les lettres "Ab" (ajouter l'agent de blanchiment) sur l'afficheur de la durée résiduelle estimée, 4 brefs signaux sonores seront émis. Passer à l'étape 6.

b) Si la laveuse affiche les lettres "rL" (retirer la charge) sur l'afficheur de la durée résiduelle estimée, un signal sonore d'erreur sera émis. La porte se déverrouillera.

- Ouvrir la porte et retirer les articles de la laveuse.
- Poursuivre le programme en appuyant sur le bouton START (mise en marche).

**REMARQUE :** L'eau sera d'abord distribuée pendant une certaine période dans l'unité, puis la porte se déverrouillera, se verrouillera à nouveau, et enfin le programme se poursuivra avec une nouvelle vérification de la présence d'articles dans la laveuse.

- La machine se remplira et effectuera un court programme visant à déterminer si des articles ont été laissés dans la laveuse. Ceci prendra environ 3 minutes.
- La laveuse répètera l'étape 5 jusqu'à ce qu'elle soit en mesure de déterminer qu'il n'y a aucun article dans la laveuse; l'afficheur indiquera "Ab" (ajouter l'agent de blanchiment).

6. Ajouter l'agent de blanchiment liquide.

a) En cas de première utilisation de la procédure de nettoyage, ouvrir le tiroir distributeur et verser immédiatement 1 tasse (236,6 mL) d'agent de blanchiment liquide dans le compartiment du détergent de lavage principal. L'agent de blanchiment liquide devrait immédiatement s'écouler du distributeur.

b) S'il s'agit de la procédure d'entretien mensuel, ouvrir le tiroir distributeur et immédiatement verser 1/3 de tasse (78,8 mL) d'agent de blanchiment liquide dans le compartiment du détergent de lavage principal. L'agent de blanchiment liquide devrait immédiatement s'écouler du distributeur.

**REMARQUES :**

- L'eau s'écoulera dans le tiroir distributeur lorsque l'agent de blanchiment sera ajouté. Ceci est normal.
- Ne pas verser de détergent pour ce programme de nettoyage. L'utilisation de plus d'une tasse (236,6 mL) d'agent de blanchiment occasionnera avec le temps des dommages au produit.

7. Une fois que le programme de nettoyage a commencé, laisser le programme s'achever. La durée estimée du programme apparaîtra sur l'afficheur.

8. À la fin du programme de nettoyage, laisser la porte légèrement ouverte pour permettre une meilleure ventilation et le séchage de l'intérieur de la laveuse.

9. Réinstaller la cloison du compartiment de détergent.

### Toujours suivre la procédure qui suit pour préserver la fraîcheur de la laveuse

- Utiliser uniquement un détergent HE Haute efficacité.
- Laisser la porte légèrement ouverte après chaque programme pour permettre une meilleure ventilation et le séchage de l'intérieur de la laveuse.
- Effectuer cette procédure tous les mois en utilisant 1/3 de tasse (78,8 mL) d'agent de blanchiment liquide.
- Si la procédure ne permet pas de remédier suffisamment aux problèmes de fraîcheur de la machine, examiner les conditions d'installation et d'utilisation pour déceler d'autres causes.

### Nettoyage de l'extérieur

Utiliser une éponge ou un linge doux humide pour essuyer les renversements. Essuyer occasionnellement les surfaces externes de la laveuse pour maintenir son apparence d'appareil neuf. Utiliser un savon doux et de l'eau. Ne pas utiliser de additifs abrasifs.

### Nettoyage du tiroir distributeur

Le tiroir distributeur est amovible pour faciliter le nettoyage.

1. Dégager le tiroir distributeur en appuyant sur le levier de dégagement dans le compartiment de prélavage. Voir "Utilisation du distributeur". Retirer le tiroir.
2. Enlever les pièces incluses (le siphon des compartiments de l'assouplissant et de l'eau de Javel et le séparateur).
3. Laver les pièces sous l'eau du robinet.
4. Remettre les pièces incluses et remettre le distributeur dans le tiroir.

### Tuyaux flexibles d'alimentation de la laveuse

Remplacer les tuyaux d'alimentation après cinq ans d'utilisation afin de réduire le risque de problème avec le tuyau. Inspecter périodiquement et remplacer les tuyaux d'alimentation comportant des renflements, écrasements, coupures, signes d'usure ou fuites.

Lors du remplacement des tuyaux d'alimentation, inscrire la date de remplacement.

## Préparation avant les vacances, un entreposage ou un déménagement

Installer et remiser la laveuse à un emplacement où elle ne sera pas exposée au gel. Comme il peut rester un résidu d'eau dans les tuyaux, le gel pourrait endommager la laveuse. Si la laveuse doit faire l'objet d'un déménagement ou de remisage au cours d'une période où la température cause un gel, préparer l'appareil pour l'hiver.

Période d'inutilisation ou de vacances

Faire fonctionner la laveuse seulement lorsqu'on est présent. Si vous devez partir en vacances ou si vous n'utilisez pas votre laveuse pendant une période prolongée, vous devez :

- Débrancher la laveuse ou déconnecter la source de courant électrique.
- Fermer les robinets d'arrivée d'eau. Ceci évitera le risque d'inondation fortuit (à l'occasion d'une surpression d'eau) au cours de la période d'absence.
- Ouvrir légèrement la porte pour fournir une ventilation.

### Préparation de la laveuse pour l'hiver :

1. Verser 1 pte (1 L) d'antigel pour véhicule récréatif dans le tambour.
2. Faire exécuter à la laveuse un programme DRAIN & SPIN (Vidange/essorage).
3. Débrancher la laveuse ou déconnecter la source de courant électrique.
4. Fermer les deux robinets d'arrivée d'eau.
5. Déconnecter et vider les tuyaux flexibles d'alimentation d'eau.

### Avant la réutilisation :

1. Rincer les tuyaux d'arrivée d'eau. Reconnecter les tuyaux flexibles d'alimentation d'eau aux robinets. Ouvrir les deux robinets d'arrivée d'eau.

## ⚠ AVERTISSEMENT



### Risque de choc électrique

**Brancher sur une prise à 3 alvéoles reliée à la terre.**

**Ne pas enlever la broche de liaison à la terre.**

**Ne pas utiliser un adaptateur.**

**Ne pas utiliser un câble de rallonge.**

**Le non-respect de ces instructions peut causer un décès, un incendie ou un choc électrique.**

2. Brancher la laveuse ou reconnecter la source de courant électrique.
3. Faire exécuter à la laveuse un programme NORMAL/CASUAL (Normal/Tout-aller) avec la moitié de la quantité normale recommandée de détergent HE pour une charge de taille moyenne, pour nettoyer la laveuse et éliminer l'antigel, le cas échéant.

### Transport de la laveuse :

1. Si la laveuse est déménagée pendant une période de gel, verser dans le tambour 1 pte (1 L) d'antigel pour véhicule récréatif. Faire exécuter à la laveuse un programme DRAIN & SPIN.
2. Débrancher le cordon d'alimentation.
3. Déconnecter le tuyau de vidange du système de vidange et le fixer aux pinces du panneau arrière.
4. Fermer les deux robinets d'arrivée d'eau.
5. Déconnecter les tuyaux d'arrivée d'eau des robinets, ensuite vider les tuyaux et les fixer au panneau arrière de la laveuse.

**IMPORTANT :** Faire un appel de service. Ne pas réutiliser les boulons de transport. L'appareil doit être transporté dans la position verticale. Afin d'éviter l'endommagement de la suspension et de la structure, la laveuse doit être correctement préparée pour le déplacement par un technicien agréé.

### Réinstallation de la laveuse

1. Suivre les "Instructions d'installation" pour choisir l'emplacement, mettre la laveuse d'aplomb et la raccorder.
2. Faire exécuter à la laveuse un programme NORMAL/CASUAL (Normal/Tout-aller) avec la moitié de la quantité normale recommandée de détergent HE pour une charge de taille moyenne, pour nettoyer la laveuse et éliminer l'antigel, le cas échéant.



# DÉPANNAGE

Essayer d'abord les solutions suggérées ici pour éviter possiblement le coût d'une visite de service...

## La laveuse affiche un message par code et un signal sonore est émis

- **“FH” (problème d'entrée d'eau - approvisionnement en eau nul ou insuffisant)**  
Appuyer deux fois sur PAUSE/CANCEL pour annuler le programme. Débrancher la laveuse ou déconnecter la source de courant électrique.  
**Vérifier ce qui suit :**  
Les robinets sont-ils complètement ouverts?  
Les tamis à la connexion des tuyaux d'entrée d'eau à la laveuse sont-ils obstrués?  
Les tuyaux d'entrée d'eau sont-ils déformés?  
Les tuyaux d'entrée d'eau sont-ils gelés?  
Brancher la laveuse ou reconnecter la source de courant électrique. Sélectionner de nouveau le programme et appuyer sur START. Si le problème persiste, faire un appel de service.
- **“F02” (problème de vidange)**  
Appuyer deux fois sur PAUSE/CANCEL pour annuler le programme. Débrancher la laveuse ou déconnecter la source de courant électrique.  
**Vérifier ce qui suit :**  
Le tuyau de vidange est-il déformé?  
Le tuyau de vidange est-il gelé?  
Le tuyau de vidange est-il obstrué?  
Le tuyau de vidange est-il à plus de 96" (2,4 m) au-dessus du plancher?
- **“SUD” (mousse savonneuse)**  
Lorsqu'un excès de mousse est détecté, une action se met automatiquement en marche pour le corriger. Cette action enlève l'excès de mousse et assure le rinçage approprié de votre linge. “SUD” est affiché durant le rinçage et à la fin du programme pour vous informer que l'action corrective pour la mousse a été activée. Utiliser seulement des détergents HE (haute efficacité).
- **Variables “F” [autres que FH and F02] (problème électrique)**  
Appuyer deux fois sur PAUSE/CANCEL pour annuler le programme. Appuyer sur DRAIN & SPIN s'il y a un excès d'eau dans la laveuse.  
Sélectionner de nouveau le programme et appuyer sur START. Si le problème persiste, faire un appel de service.

## La laveuse ne se met pas en marche

### ⚠ AVERTISSEMENT



#### Risque de choc électrique

- Brancher sur une prise à 3 alvéoles reliée à la terre.**
- Ne pas enlever la broche de liaison à la terre.**
- Ne pas utiliser un adaptateur.**
- Ne pas utiliser un câble de rallonge.**
- Le non-respect de ces instructions peut causer un décès, un incendie ou un choc électrique.**

- **Vérifier ce qui suit :**  
Le cordon d'alimentation est-il branché sur une prise à 3 alvéoles reliée à la terre?  
La porte de la laveuse est-elle bien fermée?  
Un programme a-t-il été choisi mais START n'a-t-il pas été sélectionné et enfoncé pendant une seconde?  
La porte a-t-elle été ouverte après l'achèvement du dernier programme?

## Absence de remplissage, lavage ou rinçage

- **Vérifier ce qui suit :**  
Le cordon d'alimentation est-il branché sur une prise à 3 alvéoles reliée à la terre?  
La prise de courant est-elle alimentée?  
Vérifier la source d'électricité ou faire venir un électricien.  
Les robinets d'eau froide et d'eau chaude sont-ils ouverts?  
Le tuyau d'entrée d'eau est-il déformé?  
Les tamis de la valve d'entrée d'eau sont-ils obstrués?

---

## La laveuse s'arrête

---

- **Vérifier ce qui suit :**  
Le cordon d'alimentation est-il branché sur une prise à 3 alvéoles reliée à la terre?  
  
La prise de courant est-elle branchée?  
Vérifier la source d'alimentation électrique ou faire venir un électricien.  
  
Un fusible est-il grillé ou le disjoncteur s'est-il déclenché?  
Remplacer le fusible ou réenclencher le disjoncteur. Si le problème persiste, appeler un électricien.  
  
Une rallonge est-elle utilisée?  
Ne pas utiliser un cordon de rallonge.

---

## Absence de vidange ou d'essorage de la laveuse

---

- **Le tuyau d'évacuation est-il obstrué, ou l'extrémité du tuyau d'évacuation se trouve-t-elle à plus de 96" (2,4 m) au-dessus du plancher?**
- **La tension est-elle basse?**  
Vérifier la source d'électricité ou faire venir un électricien. Ne pas utiliser un cordon de rallonge.
- **L'action de mousse savonneuse "SUD" est-elle active?**  
Le programme se terminera lorsque la mousse excessive sera enlevée.
- **La charge est-elle équilibrée?**  
Un seul article ou un article encombrant peut provoquer un déséquilibre. Ajouter des articles ou redistribuer la charge.

---

## La laveuse fait du bruit ou vibre

---

- **La laveuse est-elle d'aplomb?**  
La laveuse doit être d'aplomb. Les quatre pieds doivent être bien installés et les écrous doivent être serrés contre la caisse de la laveuse.  
  
Lorsque l'eau est vidangée de la laveuse, vous pouvez entendre le bruit de la succion de l'air par la pompe. Ceci se produit à la fin de la vidange. Ceci est normal.
- **Lavez-vous des articles avec agrafes en métal, boucles ou fermetures à glissière?**  
Vous pouvez entendre le bruit d'articles métalliques touchant le tambour de la laveuse. Ceci est normal.
- **La laveuse est-elle installée sur un plancher robuste et solide?**  
Se référer aux "Instructions d'installation" pour les exigences de plancher. Le bruit et la vibration peuvent être réduits en plaçant une planche de contreplaqué de ¾" (19,1 mm) sous votre laveuse. Le contreplaqué peut se prolonger en-dessous de la laveuse et de la sècheuse pour les maintenir à des hauteurs égales.

---

## Eau près de la laveuse

---

- Vérifier la plomberie du domicile pour voir s'il y a des fuites.

---

## Obstruction ou fuite des distributeurs

---

- **Les additifs de lessive sont-ils dans le compartiment correct du distributeur?**  
Ajouter les quantités correctes de détergent, d'assouplissant de tissu ou d'eau de Javel liquide aux compartiments corrects. Ajouter l'agent de blanchiment en poudre ou liquide sans danger pour les couleurs au compartiment de détergent.  
  
S'assurer d'assortir l'agent de blanchiment en poudre sans danger pour les couleurs avec un détergent en poudre ou assortir un agent de blanchiment liquide sans danger pour les couleurs avec un détergent liquide sans danger pour les couleurs.
- **Le séparateur de détergent est-il à la position correcte?**  
Le séparateur devrait être à la position avant lors de l'utilisation de détergent liquide et à la position arrière lors de l'utilisation de détergent en poudre.

---

## Mauvaises odeurs de la laveuse

---

- **Voir "Nettoyage de la laveuse".**
- **Utilisez-vous un détergent HE?**  
L'utilisation d'un détergent non HE peut provoquer un film résiduel à l'origine d'odeurs.
- **Avez-vous laissé la porte ouverte après utilisation?**  
Cette laveuse dispose d'une fermeture étanche pour éviter les fuites d'eau. Pour éviter la formation d'odeurs, laisser la porte ouverte afin de permettre à la laveuse de sécher entre les utilisations.

---

## Charge trop mouillée

---

- **Avez-vous utilisé le bon programme pour la charge à laver?**  
Choisir un programme avec une vitesse d'essorage plus élevée.
- **Avez-vous lavé un article seul, des articles encombrants ou avez-vous surchargé la laveuse?**  
Un article seul, des articles encombrants, ou une charge excessive peuvent causer un déséquilibre. Ajouter des articles ou essayer de distribuer également votre lessive mouillée dans le tambour, et commencer le programme DRAIN & SPIN (Vidange et essorage). Si la lessive est encore mouillée, retirer la moitié de la charge de la laveuse et essayer de nouveau.

---

## Résidu ou charpie sur le linge

---

- **Avez-vous ajouté du détergent au distributeur?**  
Pour obtenir de meilleurs résultats, ajouter du détergent au compartiment de détergent. Ne pas ajouter de détergent au tambour de la laveuse.
- **Avez-vous effectué le tri correctement?**  
Trier les articles qui forment de la charpie (serviettes, chenille) des articles qui attrapent la charpie (velours côtelé, tissus synthétiques). Trier aussi par couleurs.

- **Avez-vous surchargé la laveuse?**  
Ne pas surcharger la laveuse. La laveuse peut être remplie complètement mais le linge ne doit pas être tassé. La charge de lavage doit être équilibrée. Les particules de charpie peuvent être emprisonnées dans la charge s'il y a surcharge.
- **Vérifier ce qui suit :**  
A-t-on laissé du papier ou un mouchoir de papier dans les poches?
- **Avez-vous utilisé suffisamment de détergent HE?**  
Utiliser suffisamment de détergent pour enlever la charpie et la maintenir en suspension. Utiliser uniquement un détergent HE. Suivre les recommandations du fabricant pour déterminer la quantité de détergent à utiliser.
- **L'eau de lavage est-elle plus froide que 60°F (15,6°C)?**  
L'eau de lavage plus froide que 60°F (15,6°C) peut ne pas dissoudre complètement le détergent.
- **Utilisez-vous un programme de lavage à basse vitesse?**  
Les détergents en poudre peuvent ne pas bien se dissoudre dans un programme à basse vitesse. Pour les meilleurs résultats, utiliser un détergent liquide pour les programmes à basse vitesse tels que Handwash/Delicate (Lavables à la main/Tissus délicats).

---

### Présence de taches sur le linge

---

- **Avez-vous ajouté du détergent au distributeur?**  
Pour les meilleurs résultats, ajouter du détergent au compartiment de détergent. Ne pas ajouter de détergent au tambour de la laveuse.
- **Avez-vous utilisé suffisamment de détergent HE?**  
Utiliser suffisamment de détergent pour enlever la saleté et la tenir en suspension. Utiliser uniquement un détergent HE. Suivre les recommandations du fabricant pour déterminer la quantité de détergent à utiliser.
- **La présence de fer (rouille) dans l'eau est-elle supérieure à la moyenne?**  
Il vous faudra peut-être faire installer un filtre à fer.
- **Avez-vous bien trié la charge?**  
Séparer les articles de teinte foncée des articles blancs ou clairs.
- **Avez-vous déchargé la laveuse promptement?**  
Pour éviter le transfert de teinture, décharger la laveuse dès qu'elle s'arrête.
- **Avez-vous utilisé une boule distributrice d'assouplissant de tissu?**  
Les boules distributrices ne fonctionnent pas correctement avec cette laveuse. Ajouter un assouplissant pour tissu liquide dans le compartiment d'assouplissant de tissu.
- **Avez-vous utilisé du détergent en poudre dans un programme à basse vitesse?**  
Considérer l'utilisation d'un détergent liquide.

---

### Linge froissé

---

- **Avez-vous déchargé la laveuse promptement?**  
Décharger la laveuse dès qu'elle s'arrête.
- **Avez-vous utilisé le bon programme pour la charge à laver?**  
Utiliser le programme Handwash/Delicate (Lavage à la main/ Tissus délicats) ou un autre programme avec une vitesse d'essorage basse pour réduire le froissement.
- **Avez-vous surchargé la laveuse?**  
La charge doit être équilibrée et la laveuse ne doit pas être surchargée. Les charges doivent pouvoir culbuter librement durant le lavage.

---

### Blanc grisâtre, couleurs défraîchies

---

- **Avez-vous bien trié la charge?**  
Le transfert de teinture peut se produire lors du mélange d'articles blancs et de couleur dans une même charge. Séparer le linge de teinte foncée des articles blancs ou clairs.
- **La température de lavage est-elle trop basse?**  
Utiliser les lavages à l'eau chaude ou tiède si sans danger pour le tissu. S'assurer que votre système d'eau chaude permet d'effectuer un lavage à l'eau chaude.
- **Avez-vous utilisé suffisamment de détergent, ou avez-vous de l'eau dure?**  
Utiliser plus de détergent pour laver le linge très sale à l'eau froide ou à l'eau dure.

---

### Programme trop long

---

- **Le mot "SUD" apparaît-il sur l'affichage?**  
Un excès de mousse savonneuse a été détecté et une action corrective pour la mousse a été mise en marche pour éliminer l'excès de mousse. Cette action ajoutera du temps au programme original.
- **La charge a-t-elle provoqué un déséquilibre?**  
Lorsqu'il y a un trop grand déséquilibre, une caractéristique spéciale se mettra en marche pour redistribuer la charge. Pendant la procédure de déséquilibre, l'affichage de la durée peut faire une pause jusqu'à ce que l'activité soit terminée, puis reprendre pour la durée du programme.
- **Avez-vous utilisé le programme de lavage Handwash/ Delicate (lavage à la main/articles délicats)?**  
Avec le programme de lavage Handwash/Delicate, il faut ne laver que de petites charges. Ceci assure un lavage délicat pour vos vêtements sans augmenter les durées de programme.

---

### Porte verrouillée à la fin du programme de lavage

---

- **Est-ce que toute l'eau s'est écoulée de la laveuse durant l'essorage?**  
Choisir DRAIN & SPIN (Vidange et essorage) pour enlever toute l'eau qui reste dans la laveuse. La porte de la laveuse se déverrouillera à la fin de la vidange.

# Get it fixed, at your home or ours!

## Your Home

For repair – **in your home** – of **all** major brand appliances, lawn and garden equipment, or heating and cooling systems, **no matter who made it, no matter who sold it!**

For the replacement parts, accessories and owner's manuals that you need to do-it-yourself.

For Sears professional installation of home appliances and items like garage door openers and water heaters.

**1-800-4-MY-HOME® (1-800-469-4663)**

Call anytime, day or night (U.S.A. and Canada)

[www.sears.com](http://www.sears.com)    [www.sears.ca](http://www.sears.ca)

## Our Home

For repair of carry-in items like vacuums, lawn equipment, and electronics, call or go on-line for the location of your nearest **Sears Parts & Repair Center.**

**1-800-488-1222**

Call anytime, day or night (U.S.A. only)

[www.sears.com](http://www.sears.com)

To purchase a protection agreement (U.S.A.) or maintenance agreement (Canada) on a product serviced by Sears:

**1-800-827-6655** (U.S.A.)

**1-800-361-6665** (Canada)

Para pedir servicio de reparación a domicilio, y para ordenar piezas:

**1-888-SU-HOGAR®**

(1-888-784-6427)

Au Canada pour service en français:

**1-800-LE-FOYER<sup>MC</sup>**

(1-800-533-6937)

[www.sears.ca](http://www.sears.ca)



®Registered Trademark/™Trademark/SM Service Mark of Sears Brands LLC, under licensee by Sears Canada.  
®CATALYST is a registered trademark of Whirlpool U.S.A., used under licensee by Sears Brands LLC and Sears Canada.

®Marca registrada/™ Marca de comercio/SM Marca de servicio de Sears Brands LLC, usada bajo licencia por Sears Canada.  
®CATALYST es una marca registrada de Whirlpool U.S.A., usada bajo licencia por Sears Brands LLC y Sears Canada.

® Marque déposée/™ Marque de commerce/SM Marque de service de Sears Brands LLC,  
en vertu d'un porteur de licence par Sears Canada.

®CATALYST est une marque déposée de Whirlpool, U.S.A., en vertu d'un porteur de licence par Sears Brands LLC et Sears Canada.