

CRAFTSMAN®

OPERATOR'S MANUAL

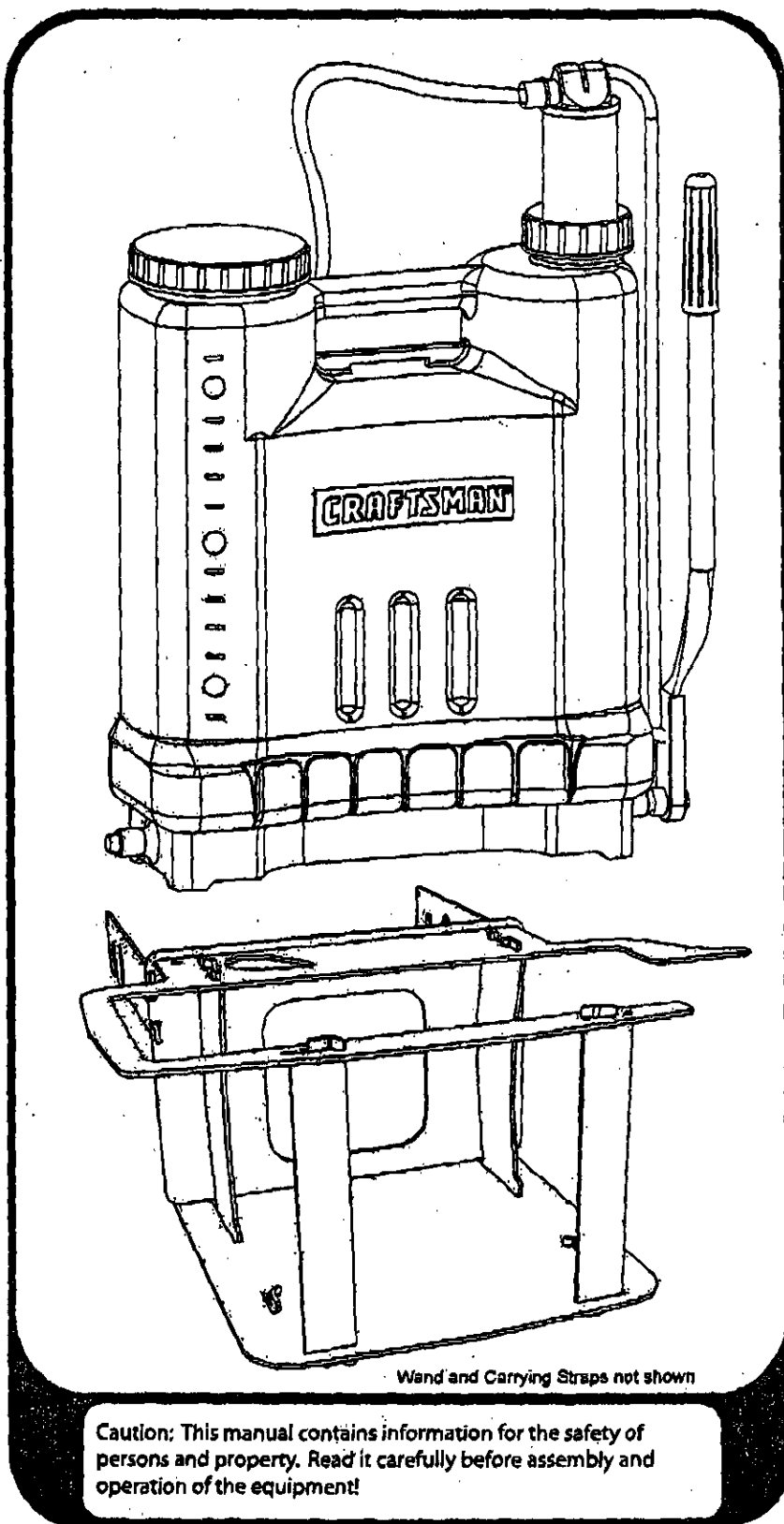
*Tractor/Backpack 5-Gallon Sprayer with Mounting Bracket**

*Bracket only for Craftsman Front
Engine Tractors

MODEL:

757.24525

- Safety Instructions
- Assembly
- Operation
- Repair Parts



Wand and Carrying Straps not shown

Caution: This manual contains information for the safety of persons and property. Read it carefully before assembly and operation of the equipment!

Sears, Roebuck and Co., Hoffman Estates, IL 60179 U.S.A.
www.sears.com/craftsman

CUSTOMER RESPONSIBILITIES

Read and Observe the "Safety Rules".

Follow a regular schedule in maintaining, caring-for and using your Sears Product.

TABLE OF CONTENTS

WARRANTY.....	2
SAFETY RULES	3
MAINTENANCE	3
PARTS REFERENCE	4-5
PARTS LIST	4-5
MOUNTING BRACKET ASSEMBLY	5-7

CARTON OF CONTENTS

SPRAY TANK
SPRAY WAND & HOSE
MOUNTING BRACKET
SERVICE KIT FOR DO-IT-YOURSELF REPAIRS

Full One-Year Warranty

For one year from the date of purchase, when maintained and lubricated according to the instructions in the operator's manual, if this product experiences any failure due to defects in material or workmanship, call 1-866-299-6084 to arrange to have it repaired free of charge.

This warranty is void if this product is used for commercial or rental purposes.

This warranty applies only while this product is in use in the United States.

This warranty gives you specific legal rights, and you may also have other rights which vary from state to state.

Sears, Roebuck and Co., D/817 WA, Hoffman Estates, IL 60179 U.S.A.

For warranty service, replacement parts, accessories and owner's manuals that you need to do-it-yourself, call **Sears Special Services!**

1-866-299-6084 8 a.m. - 5 p.m. EST
Monday - Friday

www.sears.com

Congratulations on your purchase of a Craftsman product. It has been designed, engineered, and manufactured to give you the best possible dependability and performance.

Please read and retain this Owner's Manual. The instructions will enable you to assemble and maintain your product properly. Always observe the 'Safety Rules' prior to use.



This symbol will help to point out important safety precautions throughout this manual. It means - ATTENTION! BECOME ALERT! Your safety is involved.

RULES FOR SAFE OPERATION

- Know controls and how to stop equipment quickly. **READ THE OWNER'S MANUAL.**
- Do not allow children to operate the vehicle. Do not allow adults to operate without proper instruction or without having read the Owner's Manual.
- Do not carry passengers. Keep children and pets a safe distance away.
- Always wear substantial footwear. Do not wear loose-fitting clothing that can get caught in moving parts.
- Keep your eyes and mind on your equipment/attachment and area being covered.
- Do not let other interests distract you.
- Stay alert for holes in the terrain and other hidden hazards.
- Do not drive close to creeks, ditches, and public highways.
- Watch out for traffic when crossing or near roadways.
- When using any attachment, don't allow anyone near the vehicle while in operation.
- Keep the vehicle and attachment in good operating condition and keep safety devices in place.
- Keep all nuts, bolts, and screws tight to be sure the equipment is in safe working condition.
- Vehicle and attachment should be stopped and inspected for damage after striking any foreign object. The damage should be repaired before restarting and operating the equipment.
- See towing equipment Owner's Manual for safe operation of the equipment.

agrochemicals.

- Always wear overalls, safety vest, boots, hat, gloves, respirator, and goggles.
- Wash overalls at the end of each working day.
- Don't spray upwind or on windy days.
- Follow the instructions of the agrochemical manufacturer closely.
- Wash the machine thoroughly before making repairs.
- Avoid wasting chemicals, only mix the quantities required for the job.



NEVER: Spray flammable materials or pressure and gas producing chemicals such as sodium hydroxide.



ALWAYS: read chemical label before filling sprayer as some chemicals may be hazardous when used with this sprayer.

- Do not leave pressurized sprayer in the hot sun or anywhere near a heat source. Heat can cause pressure to build up causing sprayer to ignite or explode resulting in injury or death.



NEVER: pressurize sprayer by any means other than that of the original pump. Over-pressurizing can cause sprayer to explode resulting in injury or death.

- Do not attempt to modify or repair this product except with original manufacturer's parts.

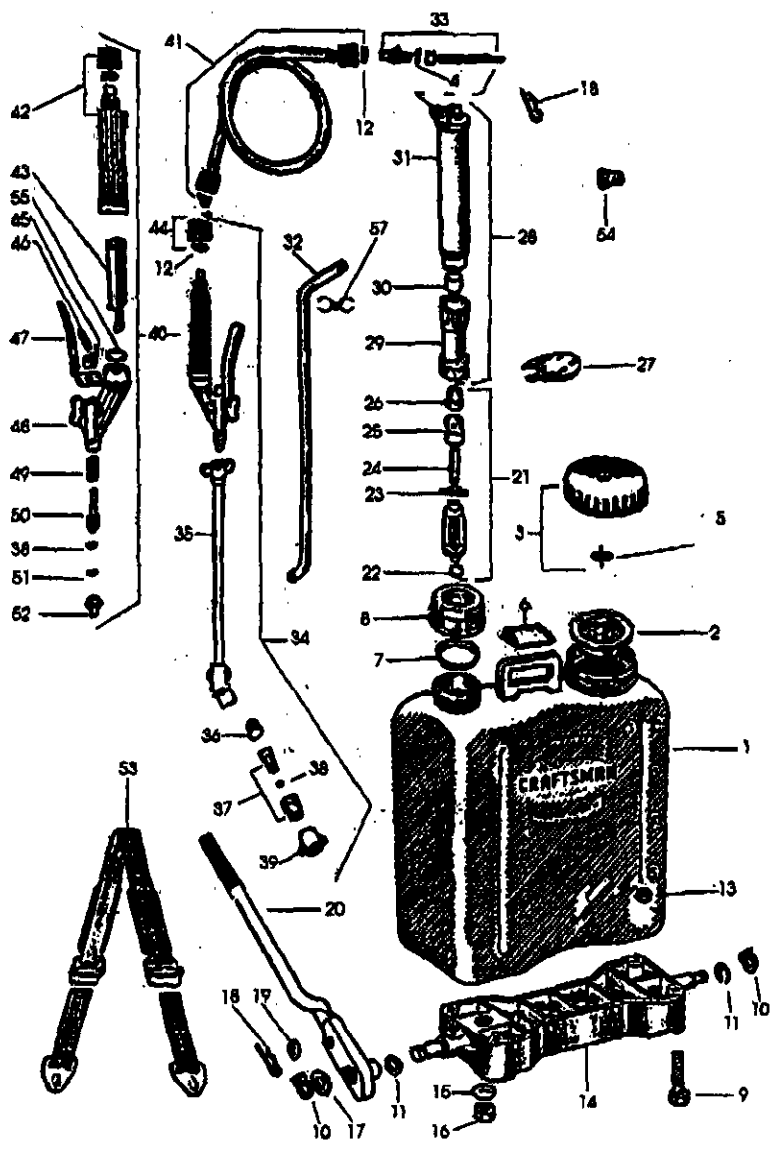


CAUTION: Only use agricultural herbicides and pesticides in this sprayer. **DO NOT** use solvents, gasoline, paint thinners, paints, deck waterproofing materials or other petrochemical products that will damage the sprayer and void your warranty.

SPRAYER TECHNICAL SPECIFICATIONS

- | | | | |
|---------------------------------------|-------------|---|----------------|
| ● TANK CAPACITY..... | 5 gallons | ● WORKING PRESSURE (herbicide)..... | 15 psi |
| ● WEIGHT..... | 9.5 lbs. | ● ADJUSTABLE NOZZLE FLOW-RATE (45 psi)..... | 0 - 15 gal/min |
| ● PUMP..... | piston type | ● PUMP CYLINDER..... | Brass |
| ● MAXIMUM PRESSURE..... | 150 psi | ● PRESSURE CHAMBER..... | Copper |
| ● WORKING PRESSURE (Insecticide)..... | 45 psi | | |

SPRAYER PARTS REFERENCE



SPRAYER PARTS LISTING

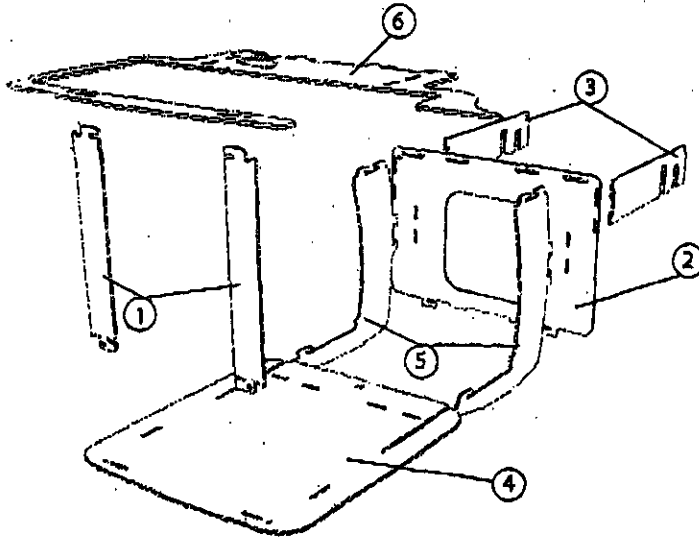
REF. NO.	PART NO.	DESCRIPTION	QTY.
01	U6776	Chemical tank 6 Gal.	1
02	U4424	Strainer	1
03	U4276	Chemical tank lid	1
04	K6216	O-Ring	1
*05	K5613	Valve	1
06	K1139	Strap fixing clamp	1
07	K1849	Plastic packing - Gasket	1
08	K1089	Packing nut	1
09	K5949	Tank screw	1
10	K3283	Retention ring	1
11	K1189	Friction washer	1
*12	K6122	Bushing of the locking nut	1
13	K5652	Nut	1
14	U4247	Chassis	1
15	K5950	Rod washer	1
16	K6131	Rod nut	1
17	K3232	Washer smooth	1
*18	K3000	Clip	1
19	K1038	Washer f 3/8"	1
20	U9689	Pumping lever	1
21	U9958	Piston (complete)	1
22	K2809	O-ring	1
23	K1135	Filter of the piston	1
24	K4276	Pump lower valve	1
*25	K3707	Double bush	1
26	K3656	Bush fixing nut	1
27	K2998	Agitator	1
28	U4756	Compression chamber	1
29	U6007	Cylinder	1
*30	K6086	Semi-spherical valve	1
31	U4871	Compression chamber	1
32	U6217	Pumping shaft	1
33	U4423	Feeding tube	1
34	U4386	Complete discharge set	1
35	U9119	Lance 525mm	1
*36	K1143	Filter	1
37	K8717	Adjustable tip	1
*38	K1465	O-ring	1
39	K3441	Nut	1
40	U4320	Super 3 discharge valve	1
41	U4784	Special hose 8x1.5 with connection	1
42	U4426	Discharge valve cable	1
43	K6270	Filter	1
44	K4428	Locking nut and bush	1
45	K2804	Lever filter	1
46	K2805	Cotter pin	1
47	K6118	Lever	1
48	K9428	Discharge valve body	1
49	K6452	Stainless steel spring	1
50	K2801	Needle	1
51	K2739	Fluoro-elastomer O ring	1
52	K6320	Sealing cushion	1
53	U4445	Carrying strap complete	1
54	K5374	Wide angle flat fan tip-herbicide	1
*55	K6316	O-Ring	1
56	U4295	Service kit	1
57	K6399	Discharge tube clips	1
58	U6715	O-Ring	1

These pages are for reference use only.
All items are not full size unless otherwise specified.

Tools Required for Assembly: Pliers

* - Service Kit - U4265 (supplied with unit)
Bears reserves the right to change specifications without prior notice.

MOUNTING BRACKET PARTS REFERENCE



MOUNTING BRACKET PARTS LISTING

REF. NO.	PART NO.	DESCRIPTION	QTY.
1	B-6273	Front Strap	2
2	B-6274	Back Plate	1
3	B-6275	Side Strap	2
4	B-6276	Bottom Plate	1
5	B-6277	Gusset	2
6	B-6278	Top Plate	1
•7	11M1016P	5/16" x 1" Carriage Bolt	1
•8	2M1216P	3/8" x 1" Hex Bolt	2
•9	F-782	5/16" Knob	1
•10	R-1964Y-01	Pivot Bushing	2
•11	R-618	Special Washer	5
•12	2M1220P	3/8" x 1-1/4" Hex Bolt	2
•13	B-4820	3/8" Hex Lock Nut	2

• Hardware Bag (found inside Sprayer Tank)

MOUNTING BRACKET ASSEMBLY

Figure 1.

- Slide both Gussets(5) through Bottom Plate(4) from the rear.



Please do not bend parts until instructed to do so!

Figure 1.

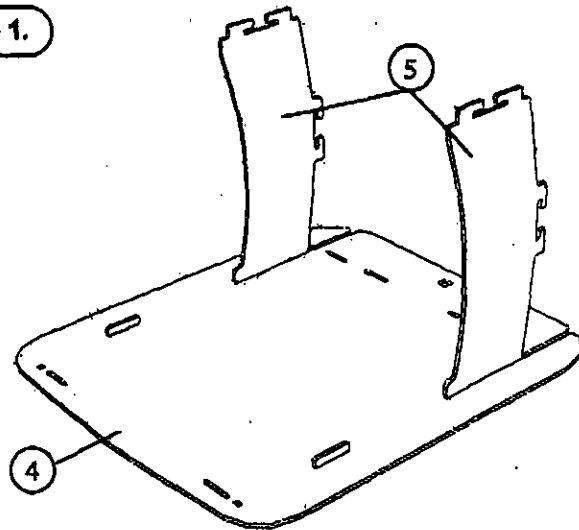
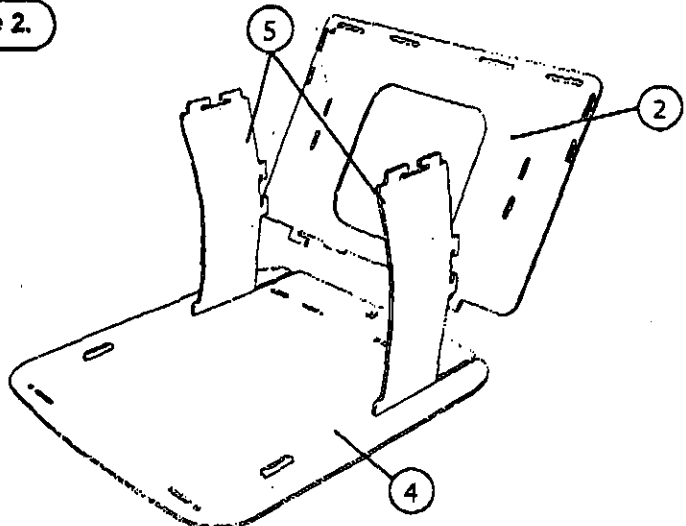


Figure 2.

- Fit Back-Plate(2) tabs to Bottom Plate(4) holes.
- Fit Gusset(5) tabs to Back Plate(2) holes.

NOTE: These parts are designed to fit one way. It may seem difficult to fit these parts together, but if done in the order as shown, the parts will fit together and allow you to lock them in.

Figure 2.



MOUNTING BRACKET ASSEMBLY

Figure 3.

4. Fit tabs in Top Plate(6) into Back Plate(2) as shown.
5. Fit tabs in Gusset(5) to holes in Top Plate(6) until your assembly looks like Figure 2.

NOTE: Assemble Top Plate with the large opening to the right as shown.

Figure 3.

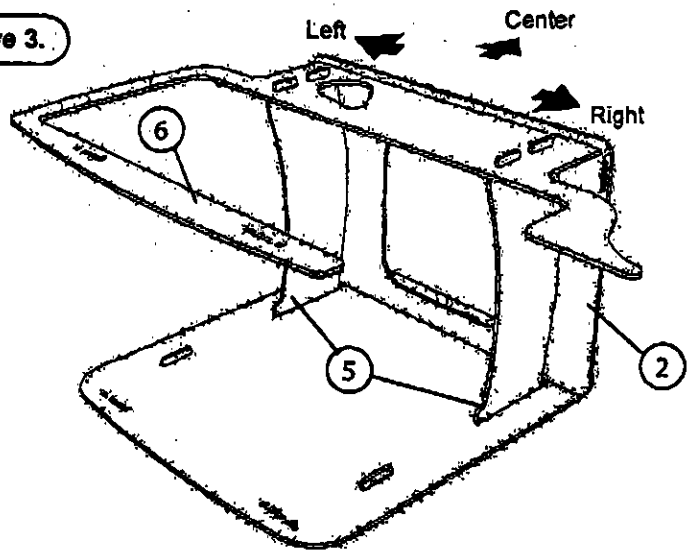


Figure 4.

6. Using the Pliers, bend Lower tab on each Gusset(5) towards center of stand as shown.
7. Bend Upper tabs on each Gusset(5) towards the center of the stand as shown.

Figure 4.

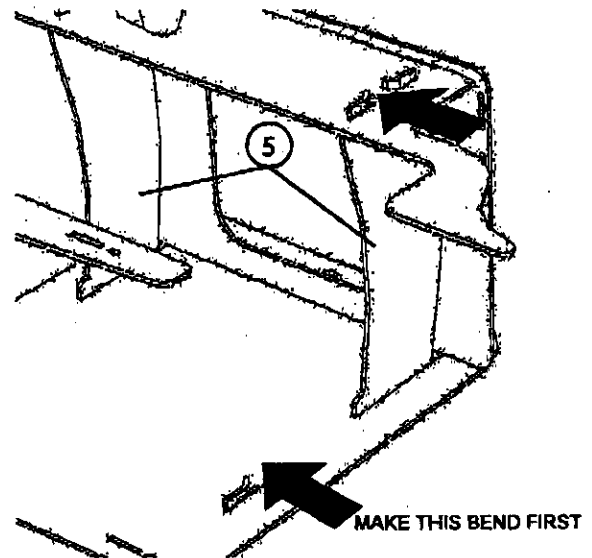


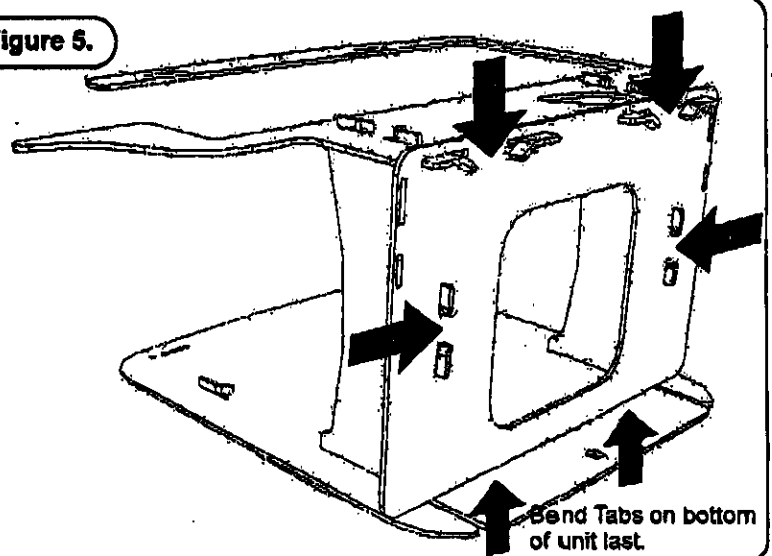
Figure 5.

8. Position the unit as shown in Fig. 5.
9. As shown in Figure 5, the arrows with numbers show the suggested order in which the tabs should be bent.

NOTE: A detailed view of some of the bends are shown to give an example of what your unit should look like.

You will not have to completely bend the tabs in order for the unit to lock together. As you can see in the diagram, the tabs are bent just enough to not allow the tabs to go back through the hole.

Figure 5.



MOUNTING BRACKET ASSEMBLY

Figure 6.

10. Place Front Straps(1) with holes towards bottom of unit as shown.
11. Bend top and bottom tabs towards back of unit.

Figure 6.

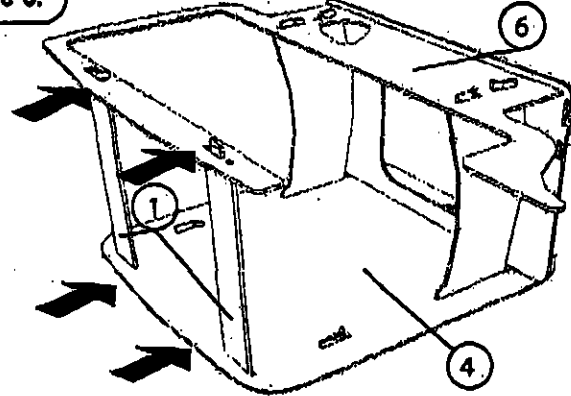
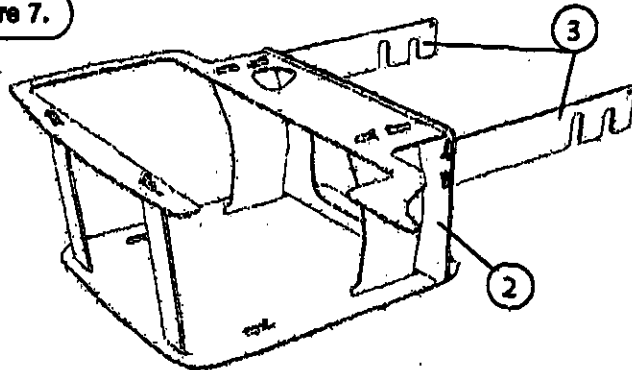


Figure 7.

12. One at a time, place Side Strap(3) into the Back Plate(2) as shown.
13. Bend tabs towards middle of unit.

NOTE: Side Straps will seem very loose once connected, waving from side to side. This allows the bracket to connect to different varieties of Craftsman Front Engine Tractors.

Figure 7.



"TRACTOR SETUP"

Figure 8A.

Lawn Tractor

14. Using a 3/8" x 1" Hex Bolt(8), Special Washer(11), and Pivot Bushing(10), replace the two existing Upper Bolts on your tractor hitch plate as shown.

Figure 8A.

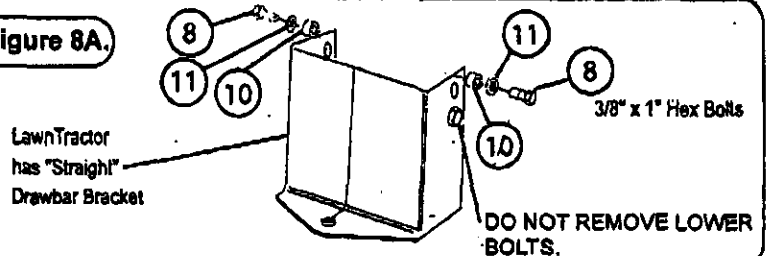


Figure 8B.

Garden Tractor

Using 3/8" x 1-1/4" Hex Bolt(12), special Washer(11), Pivot Bushing(10), Special Washer(11-inside of frame) and 3/8" Lock Nut(13), replace the two Upper Bolts at each side of your tractor hitch plate as shown.

Figure 8B.

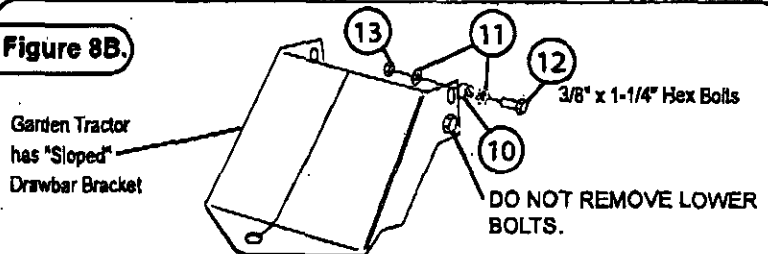
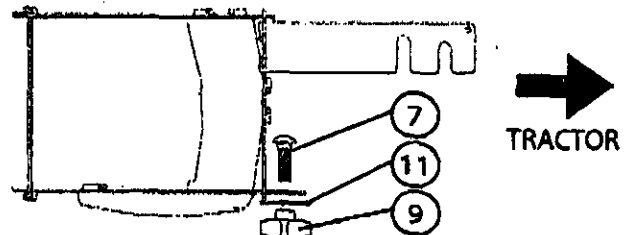


Figure 9.

15. Slide the Side Straps back onto the pivot bushings until Mounting Bracket is level as shown. Secure the Mounting Bracket to the hitch plate with a 5/16" Carriage Bolt, Special Washer, and Knob as shown.

Figure 9.



TRACTOR

SPRAYER ASSEMBLY

Refer to page 4 illustration for sprayer assemble and operation

1. Remove all loose parts from inside the tank.
 - a. (Wand & Tip assembly - 35,36,37,39)
 - b. (Strainer - 2)
 - c. (Hardware Bag for Mounting Bracket)
2. Install top of Pumping Shaft(32) into top of Compression Chamber(31), and bottom of Pumping Shaft (32) into bottom hole in Pumping Lever(20). Install washers and cotter pins to secure the shaft in place. Install Strainer (2) into mouth of Chemical Tank (1).
3. Check all pump parts for tightness before using. Check and make sure Cotter Pins are in place so Pumping Shaft moves when handle is used.

REVERSING PUMP HANDLE:

You can wear the sprayer for right or left hand pump handle operation. To reverse pump handle location, reverse the Carrying Strap (53) and wear the sprayer from the opposite side on your back. To reverse the Carrying Strap: Remove the strap Fixing Clamp (6). Remove the strap from the strap slot below the carrying handle. Reinsert strap into slot from opposite side of tank. Replace clamp to secure strap in place. NOTE: Make strap adjustment BEFORE filling the tank (Full tank will weigh approximately 42 lbs.).

PRE-USE CHECK:

1. Check hose to make sure it is securely attached to the tank outlet and shut-off valve inlet. Inspect hose for deterioration, cracks, softness, or brittleness.
2. Remove pump and inspect interior and exterior of tank for signs of deterioration (i.e. cracking and brittleness) that can result in explosive bursting under pressure.
3. To test sprayer, fill, pressurize (pump 8-10 times), and spray water. If unit passes test, release pressure, empty water and proceed.



CAUTION: Only use agricultural herbicides and pesticides in this sprayer. **DO NOT** use solvents, gasoline, paint thinners, paints, deck waterproofing materials or other petrochemical products that will damage the sprayer and void your warranty.

OPERATION

1. Measure spray material according to chemical manufacturer's packaging or instructions.



ALWAYS ADD CHEMICALS TO WATER, NOT WATER TO CHEMICALS!!!

2. Replace Chemical Tank Lid (3) securely once filled. Pump the handle on the sprayer until you begin to feel a slight resistance, you have now pressurized your sprayer and are ready to continue.
3. To have continuous spraying, depress the handle and slide the lock mechanism to lock the handle in the "down" position.

4. It may be necessary during spraying to periodically pump the unit in order to maintain pressure. Do not over-pressurize the pump as it may cause damage to the unit.

5. Once finished with the spraying job, spray chemical out of wand until all pressure is relieved and wand will not spray.



ALWAYS RELIEVE TANK OF PRESSURE BEFORE OPENING OR SERVICING!!!

6. Dispose of chemicals correctly; disposal instructions will be written on chemical manufacturer's packaging or label.

CLEANING: Once chemicals are emptied, fill unit slightly with water and replace and tighten cap. Slosh water around inside tank to rinse internal parts. Pressurize tank and use wand to spray water for a few moments. Un-pressurize tank by spraying until pressure is relieved. Then empty any remaining water from tank to prevent any corrosion from occurring.

MAINTENANCE / TROUBLESHOOTING

Lack of pumping pressure

Check/Replace the bushing and valves(24,25,30)

Leaking from the upper part of the tank

Check/Substitute the valve(5) or re-tighten the packing nut(8)

Leaking from the Adjustable Nozzle

Remove the air from the SUPER 3 valve(40) by spraying upwards for a few seconds or replace the sealing cushion(52)

Lever with hard movement

Lubricate the bushing(25) weekly or slightly loosen the Packing Nut(8)

NOTE: The bushing may be lubricated with a light grease. This can be done from within the tank, or by disassembling the piston.

NEVER leave agrochemical residues inside the sprayer tank.

WASH the sprayer with clean water at the end of every job, then lubricate.

The key to years of trouble-free service is to keep your equipment clean and dry.

Occasionally check all moving parts for free movement and, if necessary, lubricate with oil.

Should rust develop, sand lightly and then paint area with enamel.

Periodically check all fasteners for tightness.