

# CRAFTSMAN®

## Instruction of the Right Side Table Extension Wing

For CRAFTSMAN Model 137.248850 - 10 in. TABLE SAW WITH STAND

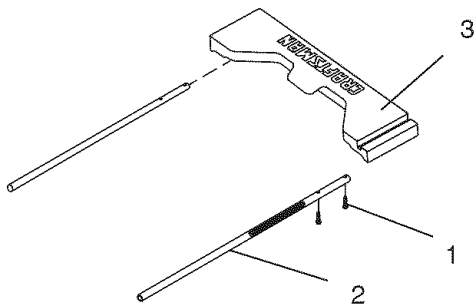
### INSTALLING RIGHT SIDE TABLE EXTENSION WING (FIG. A, B, C)

1. Insert the screws (1) through the mounting tubes (2) into the side table extension wing (3).

**NOTE:**

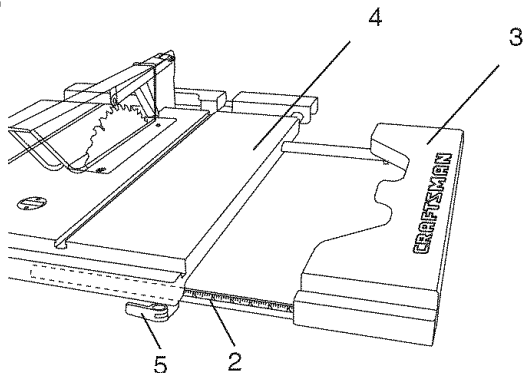
- Make sure the front mounting tube has the measuring scale visible from the front of the saw.
- Do not tighten screws until the scales are properly aligned.

Fig. A



2. Insert the table extension mounting tubes (2) into the two matching holes in the cam lever assemblies.
3. Slide the side table extension wing (3) to touch the saw table (4) closely.
4. Lock cam locking levers (5).

Fig. B



5. Place the rip fence (6) on the saw table (4) and the extension wing (3).
6. Align the rip fence pointer (7) to the scale number 11".
7. Push down on the fence handle (8) to lock.
8. Tighten the screws (1-Fig. A).

Fig. C

