

INSTALLATION INFORMATION
AEROTECH BUILT - IN OVENS
OS301 / OD301 SERIES

IMPORTANT - SAVE FOR THE LOCAL ELECTRICAL INSPECTOR'S USE

**Correct installation is the responsibility of the customer.
Ensure that the installer is properly qualified to install this oven.**

- Make sure that the oven is located away from any strong and/or hot drafts of air.
- The cabinet opening dimensions specified are the absolute minimum. These dimensions allow a clearance of up to 1/4" (6mm).
- The product must be electrically grounded. See "Electrical Connection" for details.
- We recommend that the electrical supply junction box is located either 3" below the main support surface of the product on the right hand side or flush mounted in the rear wall behind the product or mounted in the adjacent right-hand side cabinet. A 1" diameter hole should be drilled in the right rear corner of the oven cabinet or in the rear of the right-hand side wall as required to enable the electrical supply cord to be passed through the cabinet to the junction box. *Details of these requirements are shown in the diagram to the right.*
- The oven support surface should be flat, level and be able to support a weight of at least 420 pounds (190 Kg) for a double oven and 238 pounds (108 Kg) for single oven models.
- You will need a No.2 Phillips screwdriver to complete the installation of the oven into the cabinet. There should be 4 suitable wood screws with this installation kit (Part number 556075) and 4 spacers (Part number 545455).
- A *Fisher & Paykel* CE901 cooktop can be installed above an OS301 single wall oven if a 3/8" (10mm) gap is provided between the top of the oven and the bottom of the cooktop.

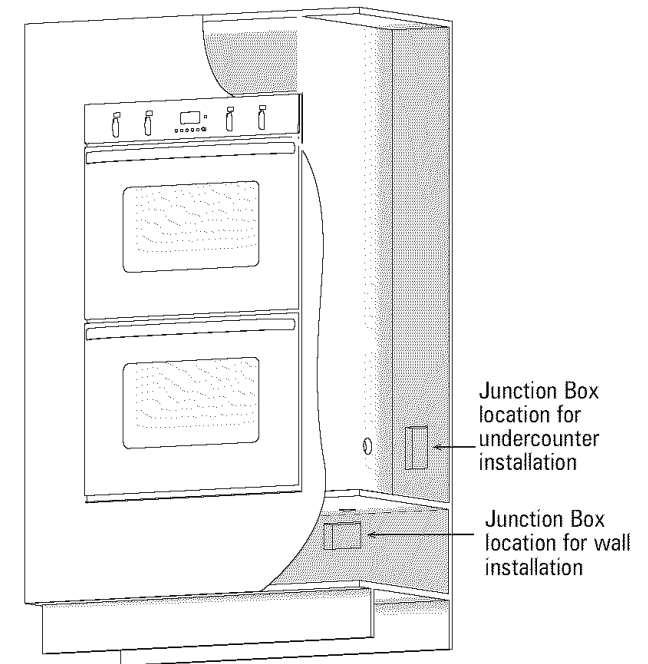
It is the customers responsibility:

- It is the customers responsibility to ensure that the product is electrically connected by a qualified electrical installer in conformance with the National Electrical code, ANSI/NFPA 70 (latest edition) and all local codes and ordinances.

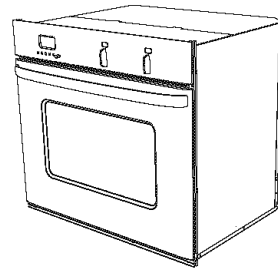
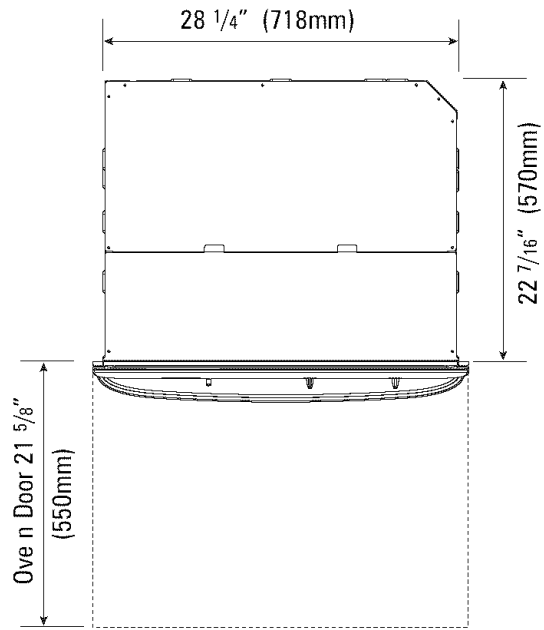
Copies of the standards listed may be obtained from

* National Fire Protection Association

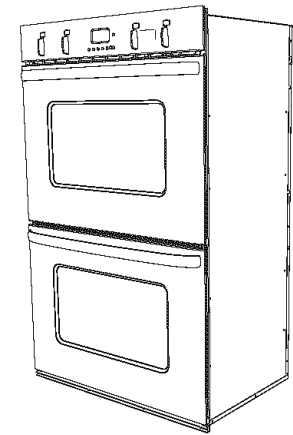
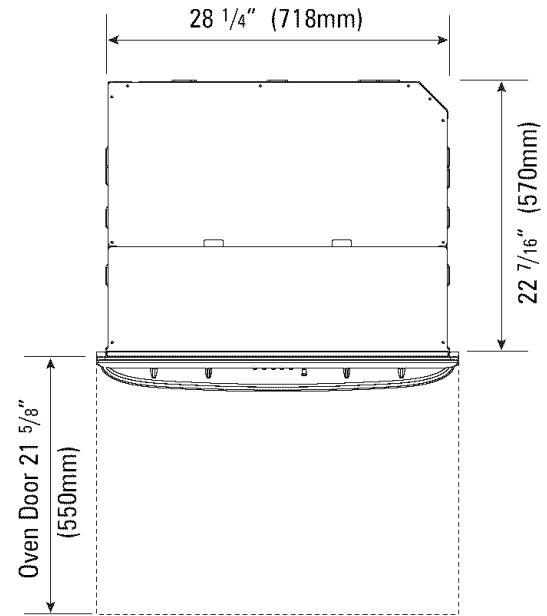
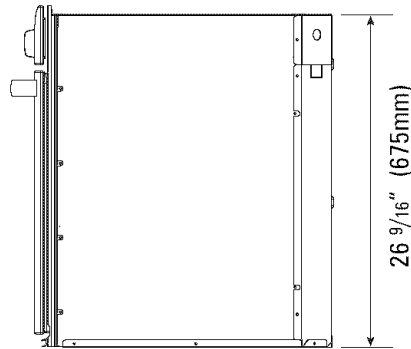
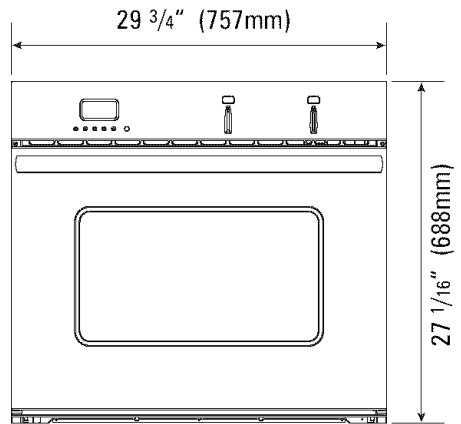
Batterymarch Park, Quincy, Massachusetts 02269



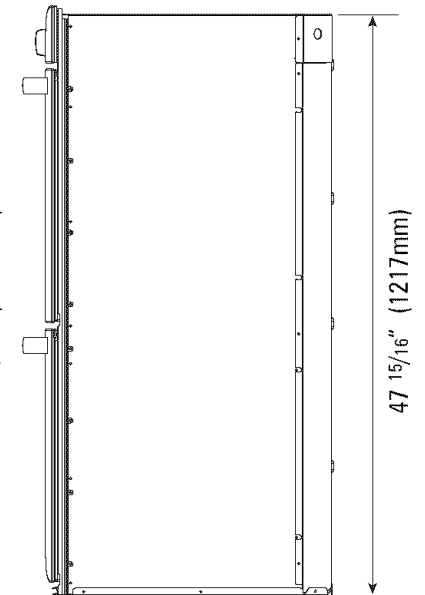
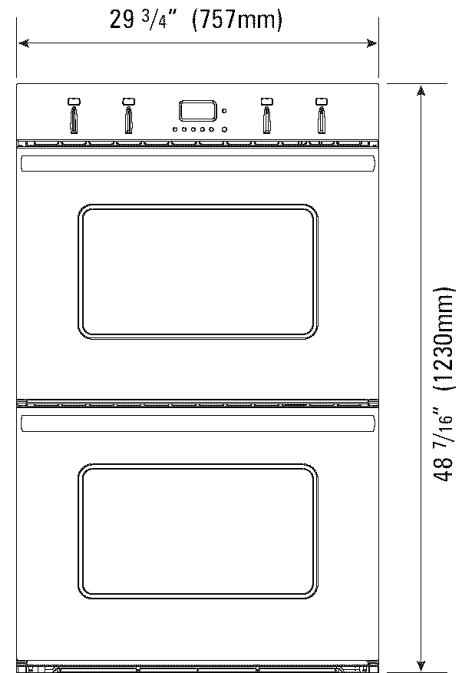
PRODUCT DIMENSIONS



OS301

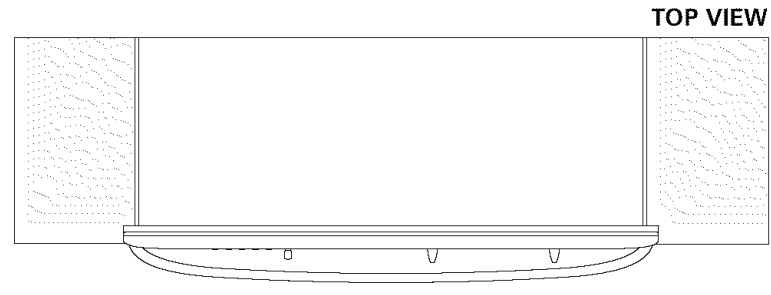
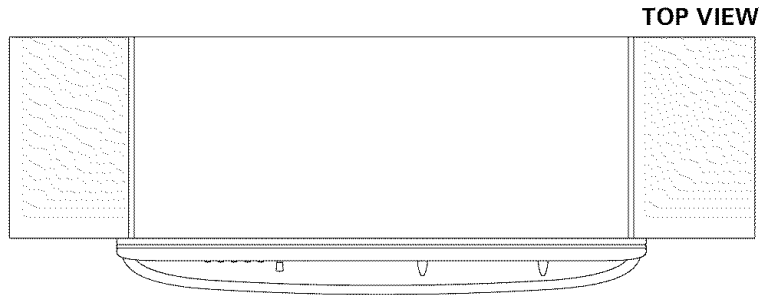


OD301



PROUD DIMENSIONS

RECESSED DIMENSIONS



Minimum Distance Under Benchtop for Single $2\frac{3}{4}''$ (70mm)

$26\frac{13}{16}''$ (681mm) - Single
 $48\frac{1}{8}''$ (1222mm) - Double
Inside Cabinet Height

$22\frac{5}{8}''$ (575mm)
Inside Cabinet Depth

$28\frac{1}{2}''$ (724mm)
Inside Cabinet Width

Minimum Distance Under Benchtop for Single ovens $2\frac{3}{4}''$ (70mm)

$27\frac{5}{16}''$ (693mm) - Single
 $48\frac{5}{8}''$ (1235mm) - Double
Recess Height

$26\frac{13}{16}''$ (681mm) - Single
 $48\frac{1}{8}''$ (1222mm) - Double
Inside Cabinet Height

$23\frac{7}{16}''$ (595mm)
Inside Cabinet Depth

$\frac{3}{4}''$ (20mm)
Recess

$28\frac{1}{2}''$ (724mm)
Inside Cabinet Width

30" (762mm)
Recess Width

Unpacking the oven

Do not use door handles or any part of the control panel for lifting the product. Before the product is lifted, the oven doors and racks are to be removed.



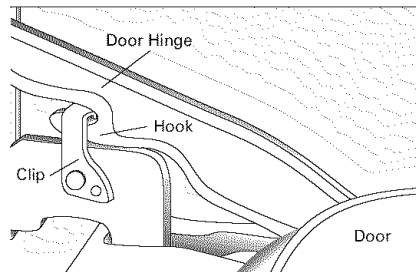
WARNING : Extreme care is to be taken when lifting the product as it is very heavy. Failure to do so may result in injury.

1. Carefully lay the product on its back. Remove the external wrapping and the bottom polystyrene protector and pallet. Stand the product up and remove all other polystyrene packaging.
2. Remove the oven doors. This is done by:
 - Open the oven door fully.
 - Lift the catches on both of the hinges over towards you onto the hooks of the hinge arm (see picture below).
 - Raise the door slightly, holding on either side near the handle, making sure that the clips stay on the hooks.



WARNING : Do not lift the door out by the handle as this may cause damage to the product.

- Lift the door out.



WARNING : Do not disengage the hinge hooks when the door has been removed as they are difficult to re-engage.

3. Remove the wire shelves and oven trays by sliding them out. Use both hands to remove each item. Remove the cardboard packaging from the oven cavity.

The electrical voltage and frequency that is correct for this oven is stated on the serial number plate located inside the top vent. It is the customer responsibility to ensure that this oven is connected to the correct electrical supply.



WARNING : The oven must be connected to a permanent and grounded supply.

Maximum current draw:	Maximum Load:
Double : 38.2 amps	9.2 kW
Single : 21 amps	5.1 kW


CONNECT OVEN WITH COPPER WIRE ONLY

- The flexible armoured cable should be connected directly to the junction box.
- Do not cut the conduit.
- A U.L. listed conduit connector must be provided at the junction box.
- Do not ground to a gas pipe.
- Do not have a fuse in the grounding or neutral circuit.
- Fuse both sides of the line.
- A time delay fuse or circuit breaker is recommended. If using a time delay fuse, then fuse both sides of the line.
- Flexible armoured cable from the appliance should be connected directly to the junction box.
- Connect directly to the fused disconnect (or circuit breaker box) through flexible, armored or non-metallic sheathed, copper cable (with grounding wire).
- If codes permit and a separate grounding wire is used, it is recommended that a qualified electrician determine that the grounding path and wire gauge is in accordance with local codes.
- Do not use an extension cord with this appliance.

This oven is manufactured with white (neutral) power supply wire and a cabinet-connected green grounding wire taped together.

Feed the oven cable through the opening in the cabinet. Make the electrical connection following the steps appropriate for your installation.

1. Disconnect the power supply.

 **WARNING : Failure to disconnect the power supply may result in death or injury.**

2. Remove the junction box cover.
3. Connect the oven cable to the junction box through the U.L.-listed conduit connector.
4. Connect the two black wires together with twist-on connectors.
5. Connect the two red wires together with twist-on connectors.
6. Connect electrical connection according to local codes and ordinances.

If local codes PERMIT connecting cabinet-grounding conductor to neutral white wire in the junction box:

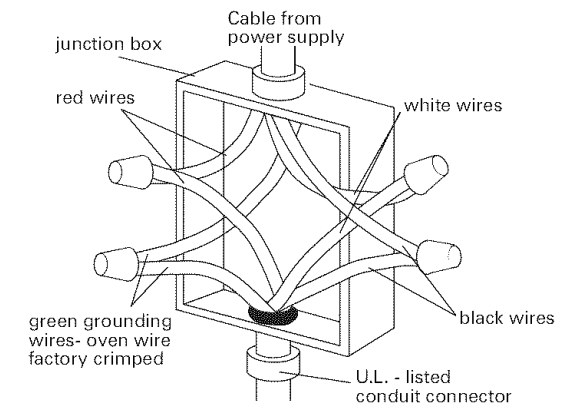
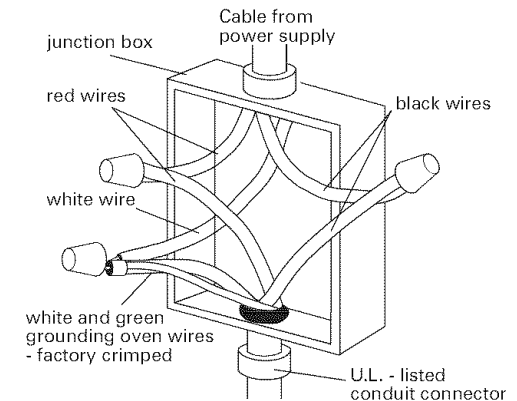
7. Connect the factory-crimped green and white oven cable wires to the neutral (white) wire in the junction box.
8. Replace the junction box cover.

OR If local codes DO NOT PERMIT connecting cabinet-grounding conductor to neutral (white) wire in junction box:

7. Separate the factory-crimped green and white oven cable wires.
8. Connect white oven cable wire to neutral (white) wire in junction box.
9. Connect the green grounding oven cable wire to a grounded wire in the junction box.
10. Replace the junction box cover.

OR If connecting to a four-wire electrical system:

7. Separate green and white oven cable wires.
8. Connect white oven cable wire to neutral (white) wire in junction box.
9. Connect the green grounding oven cable wire to the (green) grounding wire in the junction box.
Do not connect green grounding wire to neutral (white) wire in junction box.
10. Replace the junction box cover.



1. Feed the electrical supply cable into 1" hole cut out of the rear of the oven cabinet.



WARNING : Extreme care is to be taken when lifting the product as it is very heavy. Failure to do so may result in injury.

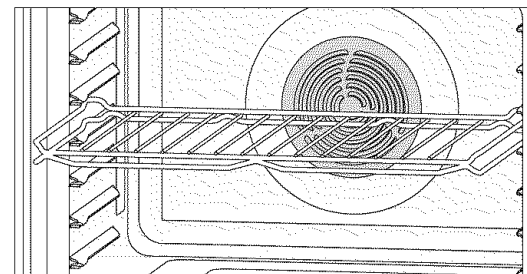
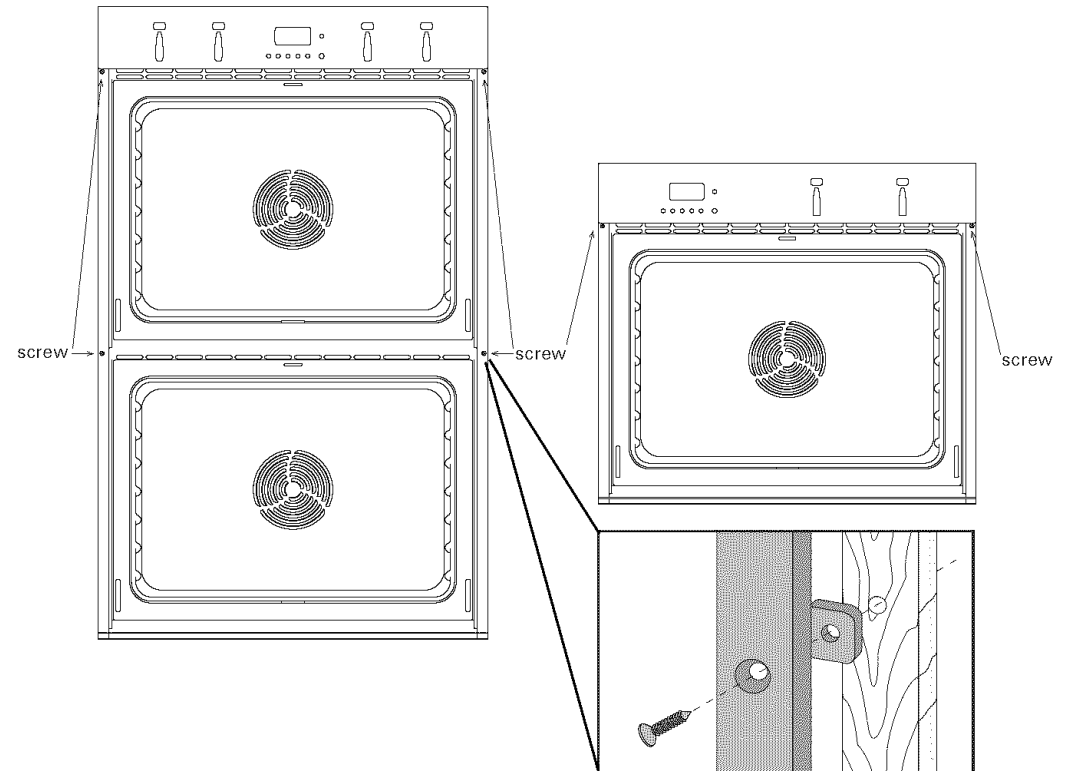
Slide the product into the oven cabinet, pushing the product between the two oven cavities or by the edges of the oven cavity.

Make sure that the electrical supply cable can drop straight down using the recess on the rear of the oven into the cable entry hole in the rear of the oven cavity. If the product does not sit flush with the front of the oven cabinet, make certain that the electrical supply cable has not jammed behind the product. Ensure the bottom vent is not blocked off or damaged.

2. Securely fasten the oven to the cabinet using the screws provided. Insert the screws through the holes in the side extrusions and through the spacers placed between the side extrusion and the kitchen joinery (see diagram opposite).
Do not over tighten screws.

3. Replace the oven trays and wire shelves. The shelves have a front and back. Insert them into the oven in the correct way to ensure that the 'stop-lock' feature of the shelf works correctly (see diagram opposite).

4. Refit the oven doors. This is done by:
Place both upper hinge arms in the slots and both lower hinge arms in the lower slots.
Push the hinges as far as they will go until the slot in the lower arm locates in the hinge support.
Lower the door gently. Push the catches away from you off the hooks. Make sure that they disengage properly.
Raise the door slightly and ensure the catches are released from the hooks. The door can now be closed.



WARNING : Do not stand or sit on the doors.

1. Make sure product is level and securely fitted to the cabinetry and both oven doors open and close freely.
2. Make sure all the internal packaging has been removed from the oven cavity.
3. Make sure all oven vents and openings are clear and are free of any obstruction.

**WARNING :**

Failure to do so may result in a fire or poor product performance.

4. Turn the power to the oven on. The clock should light up and blink 12:00pm.
5. Set the clock to the current time.
6. Turn the oven function switch to 'Bake' and the oven temp switch to 350° F. Air should blow out of the vent at the bottom of the oven. Inside the oven cavity all three oven lights should come on. After 5 minutes open the oven door and the air inside should feel warm. The top element should be glowing red and the bottom surface of the oven cavity should feel warm to lightly touch.

**WARNING :**

Do not touch the top element as this may result in injury.

7. Turn both the oven function switch and oven temp switch back to off and repeat for the other oven if product is a double.

IF THE OVEN DOES NOT OPERATE:

- Check that the circuit breaker has not tripped or the fuse blown.
- Make sure that the electrical connections have been correctly made.
- Make sure that power is being supplied to the oven.
- Make sure the voltage is correct across all phases.

IF YOU NEED ASSISTANCE:

- If a fault occurs consult the Problem Solver Section of your User Guide book.
- Call your local Customer Care representative on 1-8889 FNP USA (1-8889 367 872).
- Please have the model and serial number of your product ready for the Customer Care representative.