

ROOM AIR CONDITIONER

Use & Care Guide

For questions about features, operation/performance, parts,
accessories or service call: 1-800-253-1301

or visit our website at... www.whirlpool.com

In Canada, call for assistance, installation and service,
call: 1-800-807-6777

or visit our website at... www.whirlpool.ca

ACONDICIONADOR DE AIRE PARA HABITACIÓN

Manual de Uso y Cuidado

Si tiene preguntas respecto a las características, funcionamiento,
rendimiento, partes, accesorios o servicio técnico,
llame al: 1-800-253-1301

o visite nuestro sitio web en... www.whirlpool.com

Table of Contents/Índice 2

TABLE OF CONTENTS

AIR CONDITIONER SAFETY	2	Start Your Air Conditioner—Rotary Control.....	18
INSTALLATION REQUIREMENTS	3	Change Air Direction	19
Tools and Parts	3	Normal Sounds.....	19
Location Requirements	3	AIR CONDITIONER CARE	19
Electrical Requirements	4	Cleaning the Air Filter	19
INSTALLATION INSTRUCTIONS	5	Cleaning the Front Panel.....	19
Unpack the Air Conditioner.....	5	Repairing Paint Damage	19
Window Installation	6	Annual Maintenance.....	19
Prepare Air Conditioner for Window Installation	8	TROUBLESHOOTING	20
Position the Air Conditioner in Window	9	ASSISTANCE OR SERVICE	21
Through-the-Wall Installation.....	10	In the U.S.A.	21
Position the Air Conditioner Through the Wall	13	Accessories	21
AIR CONDITIONER USE	14	In Canada	22
Start Your Air Conditioner—Digital Control	15		

ÍNDICE

SEGURIDAD DEL ACONDICIONADOR DE AIRE	22	Cómo poner en marcha su acondicionador de aire—	
REQUISITOS DE INSTALACIÓN	23	Control digital	36
Herramientas y piezas.....	23	Cómo poner en marcha su acondicionador de aire—	
Requisitos de ubicación.....	23	Control rotativo.....	39
Requisitos eléctricos	24	Cómo cambiar la dirección del aire	40
INSTRUCCIONES DE INSTALACIÓN	25	Sonidos normales.....	40
Desempaque el acondicionador de aire.....	25	CÓMO CUIDAR SU ACONDICIONADOR DE AIRE	41
Instalación en la ventana.....	26	Limpieza del filtro de aire	41
Prepare el acondicionador de aire para la instalación		Limpieza del panel delantero	41
en una ventana.....	28	Reparación de la pintura dañada.....	41
Colocación del acondicionador de aire en la ventana	29	Mantenimiento anual	41
Instalación a través de la pared.....	31	SOLUCIÓN DE PROBLEMAS	41
Colocación del acondicionador de aire para la instalación		AYUDA O SERVICIO TÉCNICO	43
a través de la pared.....	34	En los EE.UU.	43
CÓMO USAR SU ACONDICIONADOR DE AIRE	36	Accesorios	43

AIR CONDITIONER SAFETY

Your safety and the safety of others are very important.

We have provided many important safety messages in this manual and on your appliance. Always read and obey all safety messages.



This is the safety alert symbol.

This symbol alerts you to potential hazards that can kill or hurt you and others.

All safety messages will follow the safety alert symbol and either the word “DANGER” or “WARNING.”

These words mean:

⚠ DANGER

You can be killed or seriously injured if you don't immediately follow instructions.

⚠ WARNING

You can be killed or seriously injured if you don't follow instructions.

All safety messages will tell you what the potential hazard is, tell you how to reduce the chance of injury, and tell you what can happen if the instructions are not followed.

IMPORTANT SAFETY INSTRUCTIONS

WARNING: To reduce the risk of fire, electrical shock or injury when using your air conditioner, follow these basic precautions:

- Plug into a grounded 3 prong outlet.
- Do not use an extension cord.
- Do not remove ground prong.
- Unplug air conditioner before servicing.
- Do not use an adapter.
- Use two or more people to move and install air conditioner.

SAVE THESE INSTRUCTIONS

INSTALLATION REQUIREMENTS

Tools and Parts

Gather the required tools and parts before starting installation. Read and follow the instructions provided with any tools listed here.

Tools Needed

- Flat-blade and Phillips screwdrivers
- Pencil
- 1/4" nut driver
- Tape measure
- 7/16" wrench
- Level
- Scissors
- Drill
- 3/32" or smaller drill bit

Through-the-Wall Installation

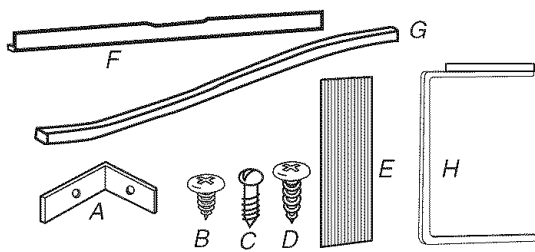
In addition to the tools listed above, the following tools are needed for through-the-wall installation.

- Saw
- Caulk
- Wood preservative
- 1" (2.5 cm) or thicker lumber

Parts Supplied

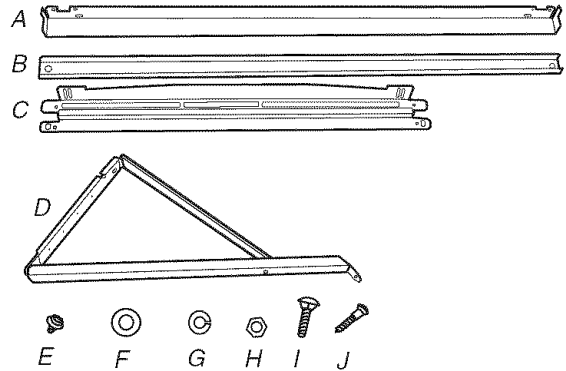
Check that all parts are included in parts package.

Air Conditioner Installation



- | | |
|------------------------------------|----------------------------|
| A. Window-lock bracket | E. Side curtains (2) |
| B. #8 x 3/8" pan-head screws (6) | F. Top channel |
| C. #8 x 3/4" round-head screws (3) | G. Foam seal |
| D. #10 x 3/8" pan-head screws (3) | H. Side curtain frames (2) |

SMART-MOUNT® Tray Assembly Installation



- | | | |
|---------------------|---------------------------------------|--|
| A. Tray back | E. #8 - 18 x 1/4" hex-head screws (4) | H. Hex nuts (4) |
| B. Tray center | F. Flat washers (4) | I. Carriage bolts (4) |
| C. Tray sides (2) | G. Lock washers (4) | J. #10 - 12 x 1 1/2" slot-head wood screws (2) |
| D. Support legs (2) | | |

Location Requirements

IMPORTANT: Observe all governing codes and ordinances.

Check the location where the air conditioner will be installed. Make sure you have everything necessary for correct installation.

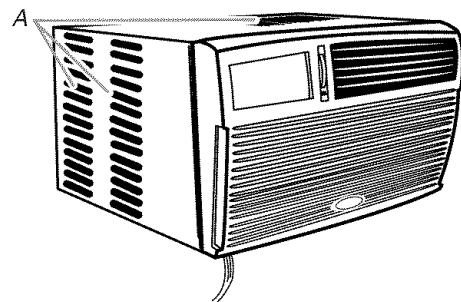
The location should provide:

- Grounded electrical outlet within 4 ft (122 cm) of where the power cord exits the air conditioner.

NOTE: Do not use an extension cord.

- Free movement of air in room to be cooled.
- A large enough opening for the air conditioner. Installation parts are supplied for double-hung windows.
- Adequate wall support for weight of air conditioner. Air conditioner weighs 80 lbs (36.3 kg) to 125 lbs (56.7 kg).

NOTE: Cabinet louvers must not be obstructed. Air must be able to pass freely through the cabinet louvers.

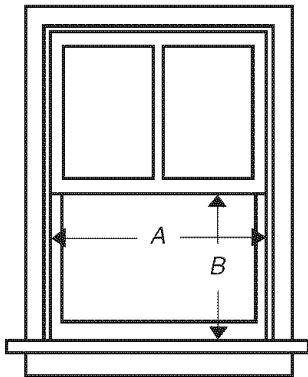


A. Cabinet louvers

Window Installation

Window opening measurements:

- 27" min. to 40" max. (68.6 cm to 101.6 cm) opening width.
- 19" min. (48.3 cm) opening height.

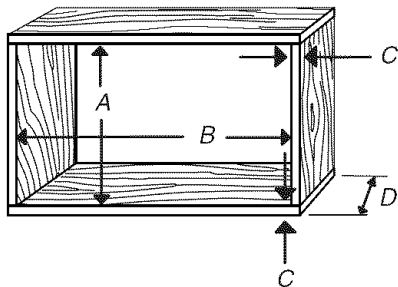


A. 27" min. to 40" max. (68.6 cm to 101.6 cm)
B. 19" min. (48.3 cm)

Through-the-Wall Installation

The wall opening measurements should be:

- Height: 18" (45.7 cm) plus twice the thickness of wood used to build frame.
- Width: 26" (66 cm) plus twice the thickness of wood used to build frame.
- Depth: 2" (5 cm) minimum to 8" (20.3 cm) maximum.



A. 18" (45.7 cm) C. Wood thickness
B. 26" (66 cm) D. 2" (5 cm) minimum to 8" (20.3 cm) maximum

Electrical Requirements

⚠ WARNING



Electrical Shock Hazard

Plug into a grounded 3 prong outlet.

Do not remove ground prong.

Do not use an adapter.

Do not use an extension cord.

Failure to follow these instructions can result in death, fire, or electrical shock.

The electrical ratings for your air conditioner are listed on the model and serial number label. The model and serial number label is located on the right-hand side of the cabinet.

Specific electrical requirements are listed in the chart below. Follow the requirements for the type of plug on the power supply cord.

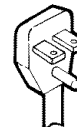
Power supply cord

Wiring requirements



- 115-volt (103.5 min. - 126.5 max.)
- 0-12 amps
- 15-amp time-delay fuse or circuit breaker
- Use on single outlet circuit only.

¼"
(0.6 cm)



- 230-volt (207 min. - 253 max.)
- 0-12 amps
- 15-amp time-delay fuse or circuit breaker
- Use on single outlet circuit only.

Recommended grounding method

This air conditioner must be grounded. This air conditioner is equipped with a power supply cord having a grounded 3 prong plug. To minimize possible shock hazard, the cord must be plugged into a mating, grounded 3 prong outlet, grounded in accordance with all local codes and ordinances. If a mating outlet is not available, it is the customer's responsibility to have a properly grounded 3 prong outlet installed by a qualified electrical installer.

It is the customer's responsibility:

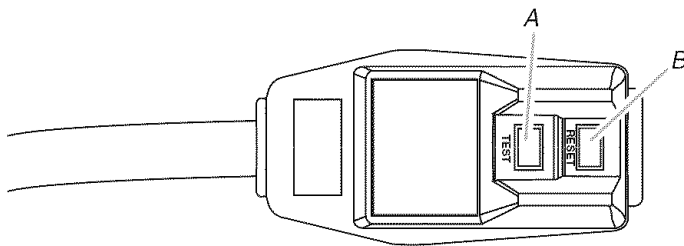
- To contact a qualified electrical installer.
- To assure that the electrical installation is adequate and in conformance with National Electrical Code, ANSI/NFPA 70 - latest edition, and all local codes and ordinances.

Copies of the standards listed may be obtained from:

National Fire Protection Association
One Batterymarch Park
Quincy, MA 02269

Power Supply Cord

NOTE: Your unit's device may differ from the one shown.



A. Test button
B. Reset button

This room air conditioner is equipped with a power supply cord required by UL. This power supply cord contains state-of-the-art electronics that sense leakage current. If the cord is crushed, the electronics detect leakage current and power will be disconnected in a fraction of a second.

⚠ WARNING



Electrical Shock Hazard

Plug into a grounded 3 prong outlet.

Do not remove ground prong.

Do not use an adapter.

Do not use an extension cord.

Failure to follow these instructions can result in death, fire, or electrical shock.

To test your power supply cord:

1. Plug power supply cord into a grounded 3 prong outlet.
2. Press RESET.
3. Press TEST (listen for click; Reset button will trip and pop out).
4. Press and release RESET (listen for click; Reset button will latch and remain in). The power supply cord is ready for operation.

NOTES:

- The Reset button must be pushed in for proper operation.
- The power supply cord must be replaced if it fails to trip when the test button is pressed or fails to reset.
- Do not use the power supply cord as an off/on switch. The power supply cord is designed as a protective device.
- A damaged power supply cord must be replaced with a new power supply cord obtained from the product manufacturer and must not be repaired.
- The power supply cord contains no user serviceable parts. Opening the tamper-resistant case voids all warranty and performance claims.

INSTALLATION INSTRUCTIONS

Unpack the Air Conditioner

⚠ WARNING

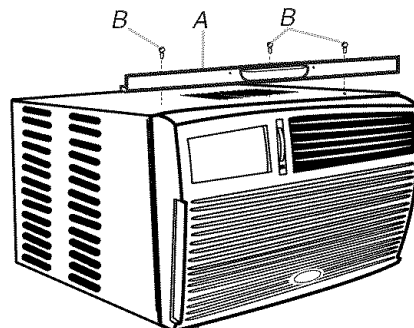
Excessive Weight Hazard

Use two or more people to move and install air conditioner.

Failure to do so can result in back or other injury.

Remove packaging materials

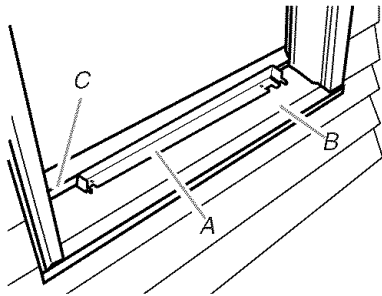
- Remove and properly dispose of packaging materials. Remove tape and glue residue from surfaces before turning on the air conditioner. Rub a small amount of liquid dish soap over the adhesive with your fingers. Wipe with warm water and dry.
- Do not use sharp instruments, rubbing alcohol, flammable fluids, or abrasive cleaners to remove tape or glue. These products can damage the surface of your air conditioner.
- Handle air conditioner gently.
 1. Locate provided bag of pan-head screws.
 2. Place the top channel on top of the air conditioner, lining up the holes in top channel with the holes on top of air conditioner.
 3. Using 3 - #10 x $\frac{3}{8}$ " pan-head screws, attach top channel to air conditioner.



A. Top channel
B. #10 x $\frac{3}{8}$ " pan-head screw

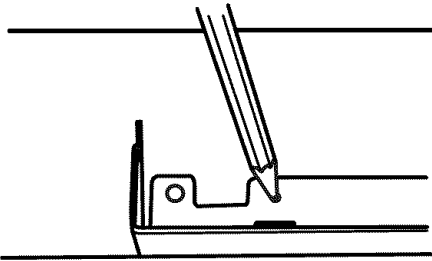
Window Installation

- Using the tray back as a template, center in windowsill against outside edge of stool.



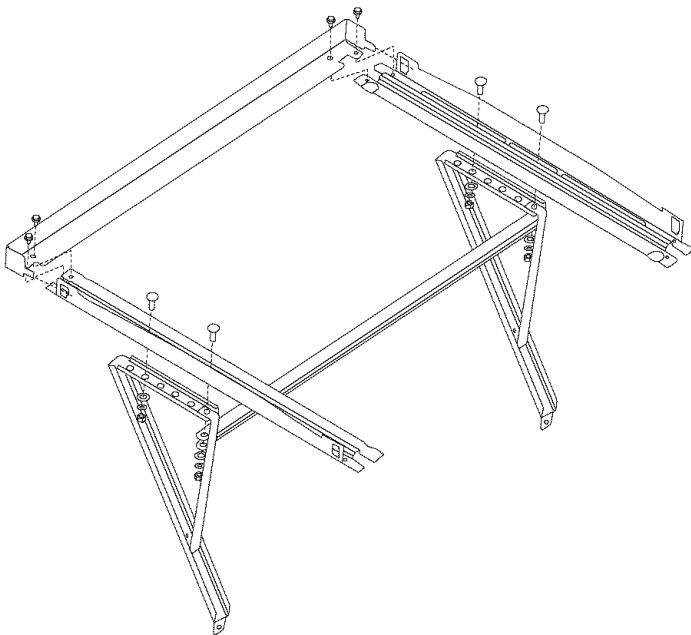
A. Tray back
B. Windowsill
C. Outside edge of stool

- Using the 2 inside screw holes in tray back, mark screw locations on windowsill for mounting the SMART-MOUNT® tray.

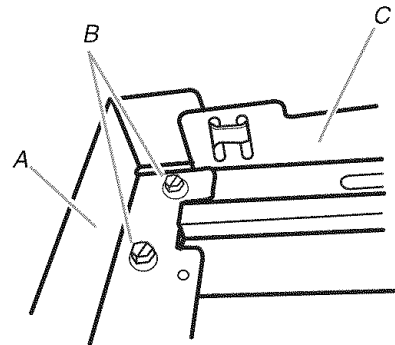


- Remove tray back. Using these marks, drill $\frac{3}{32}$ " pilot holes in the windowsill approximately $1\frac{1}{2}$ " (3.8 cm) deep.

Assemble SMART-MOUNT® Tray



- To assemble the tray frame, insert tab on tray back into slot on tray side. Check to see that the tab is engaged and the 2 pieces are aligned. Insert 2 - #8 - 18 x $\frac{1}{4}$ " hex-head screws to secure.
- Repeat with other tray side.

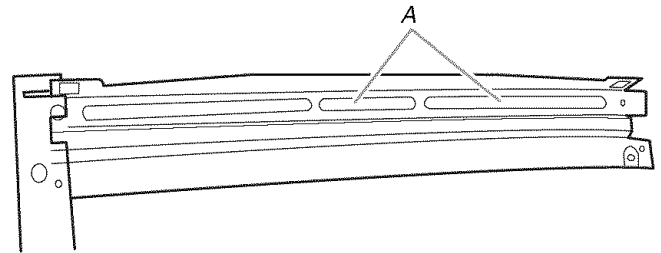


A. Tray back
B. #8 - 18 x $\frac{1}{4}$ " hex-head screws
C. Tray side

Attach Support Legs

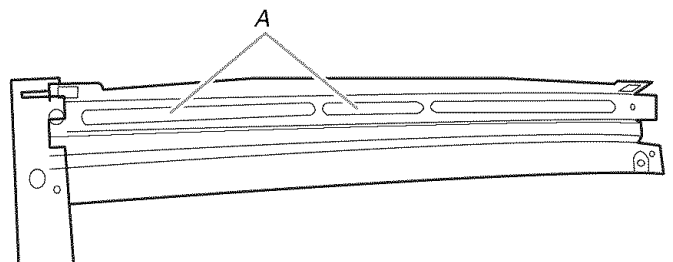
- Determine the correct slots on the tray side from the type of exterior construction of the building.

Thin Wall Construction (vinyl, wood, etc.)



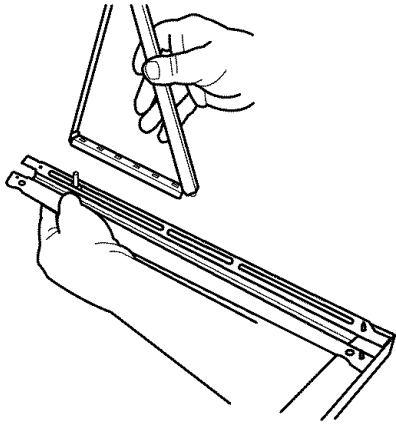
A. First and second slots

Thick Wall Construction (brick)

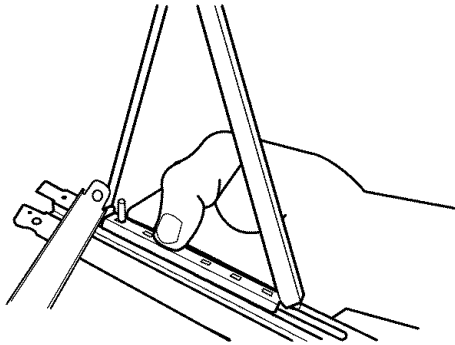


A. Second and third slots

2. Insert carriage bolt up through slot on tray-frame side and support leg.

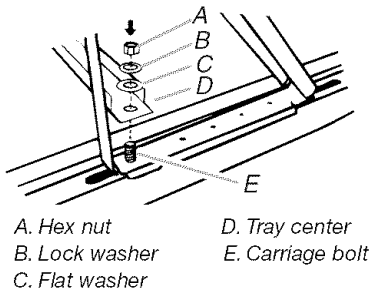


3. Place one end of tray center over carriage bolt.



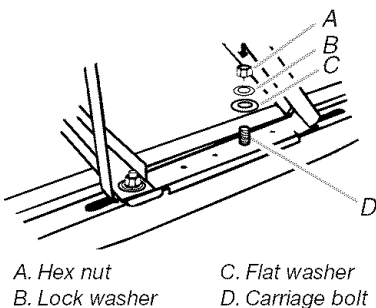
4. Then place flat washer, lock washer and hex nut.

NOTE: Do not tighten. The leg must be able to move freely to adjust angle when installed.



5. Insert second carriage bolt through tray side and attach other end of support leg.

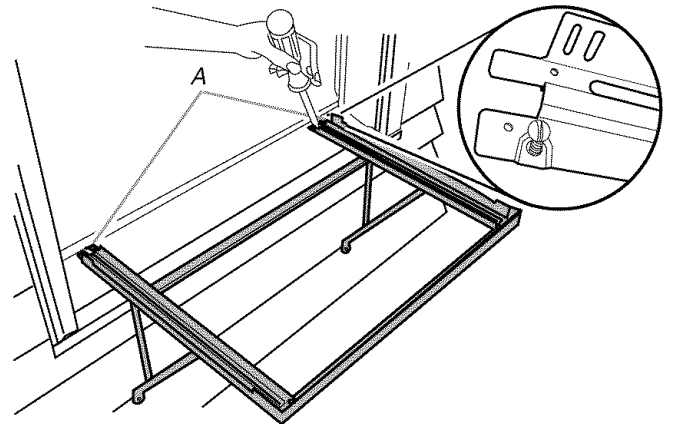
NOTE: Do not tighten. The leg must be able to move freely to adjust angle when installed.



6. Install support leg on other side.

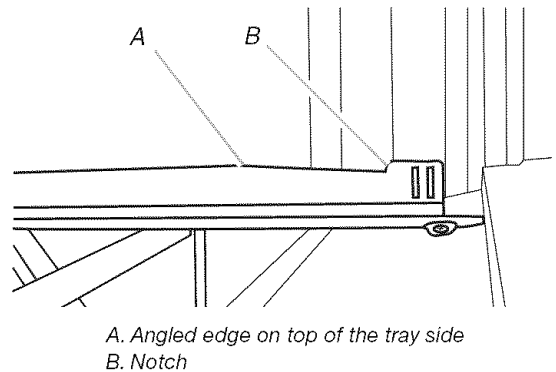
Install SMART-MOUNT® Tray Assembly in Window

1. From inside, place SMART-MOUNT® tray, support legs facing down, in the window. Match the holes in tray side with the predrilled holes in windowsill.
2. Using 2 - #10 - 12 x 1½" slot-head wood screws, secure the tray frame to the window.



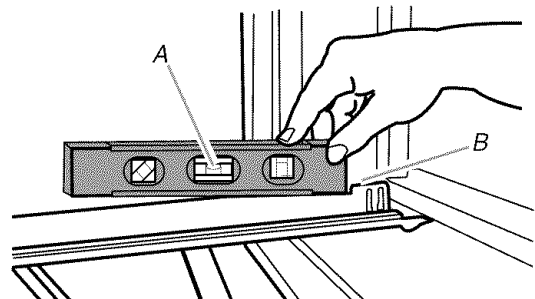
NOTE: If the exterior of building can be damaged by support legs, place a board between the wall and support legs.

3. With tray center pushed away from the windowsill, place a level on the angled edge on top of the tray side. Be sure level is against notch on tray side.



4. Adjust SMART-MOUNT® tray until bubble indicates the angled edge on top of the tray side is level.

IMPORTANT: The tray must slope downward slightly toward the outside to provide proper drainage for the air conditioner.



5. Tighten the hex nut just enough to hold tray center in place.
6. Repeat with other side.
7. Tighten hex nuts securely with 7/16" wrench.

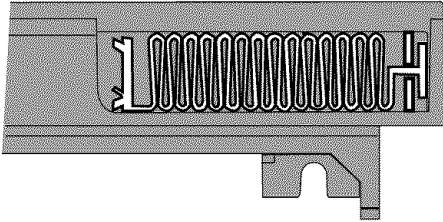
Prepare Air Conditioner for Window Installation

Install Side Curtains

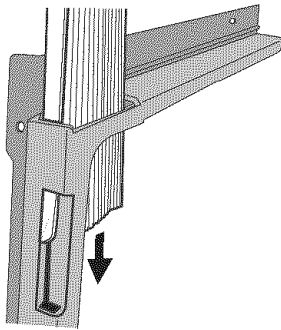
NOTE: Attach curtains to unit before placing unit in window.

1. Insert curtain into curtain frame. Make sure curtain end locks into curtain frame.

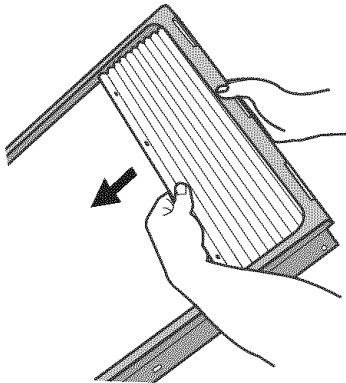
Top View



Side View

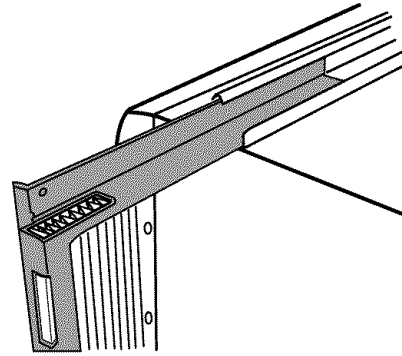


2. Push curtain in all the way.
3. Pull curtain toward open end of curtain frame.

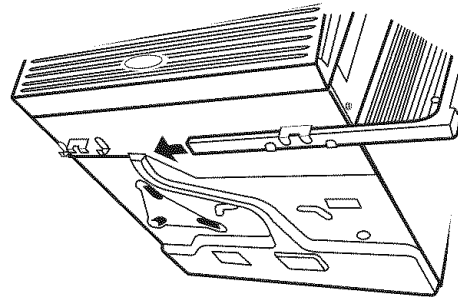


4. Insert top and then bottom of right-hand curtain frame in top and bottom curtain guides on air conditioner.

Top View

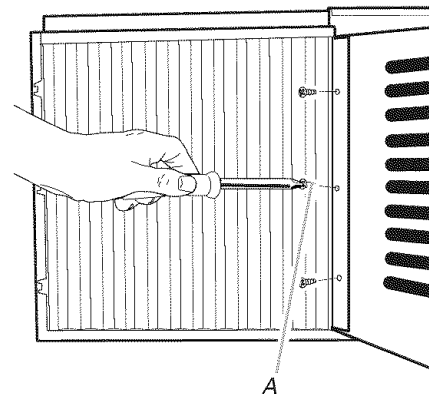


Bottom View



5. Extend right-hand curtain outward so you may insert the first screw through the middle hole of the curtain. Using a #8 x 3/8" pan-head screw, screw curtain to middle hole in air conditioner cabinet.

NOTE: This screw is required to correctly attach curtain (top to bottom) to the air conditioner cabinet.



A. #8 x 3/8" pan-head screw

6. While the right-hand curtain is still extended, insert screws into top and bottom slots of curtain. Using #8 x 3/8" pan-head screws, screw curtain to the top and bottom holes in air conditioner cabinet.
7. Slide curtain housing into guides as far as it will go.
8. Repeat above steps for left-hand curtain.

Position the Air Conditioner in Window

- Handle air conditioner gently.
- Be sure your air conditioner does not fall out of the opening during installation or removal.
- Do not block the louvers on the front panel.
- Do not block the louvers on the outside of the air conditioner.

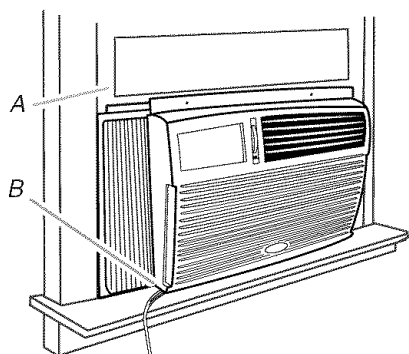
⚠ WARNING

Excessive Weight Hazard

Use two or more people to move and install air conditioner.

Failure to do so can result in back or other injury.

1. Put air conditioner on SMART-MOUNT® tray. Check that feet on bottom of air conditioner are behind and against back side of windowsill. Lower window sash.

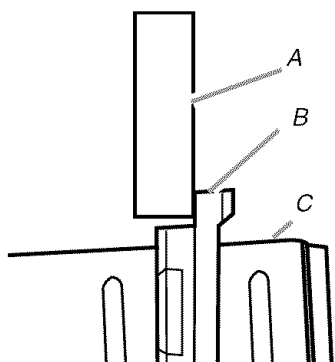


A. Window sash
B. Feet on bottom of air conditioner behind back side of windowsill

2. If window sash does not close flush against rear surface of top channel, remove air conditioner and adjust SMART-MOUNT® tray until window sash closes flush against rear surface of top channel.

IMPORTANT: The tray must slope downward slightly toward the outside to provide proper drainage for the air conditioner.

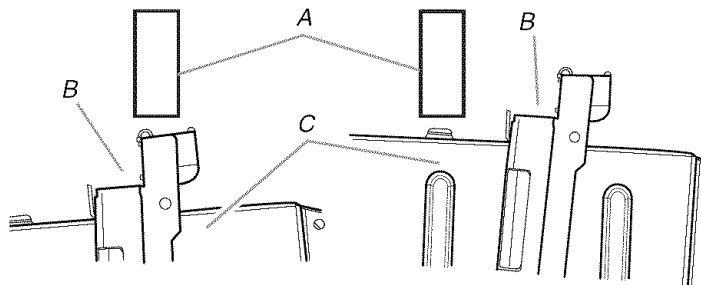
Correct Installation



A. Window sash
B. Top channel
C. Air conditioner

If your air conditioner looks like either of the illustrations in the "Incorrect installation" graphic, SMART-MOUNT® tray needs adjustment.

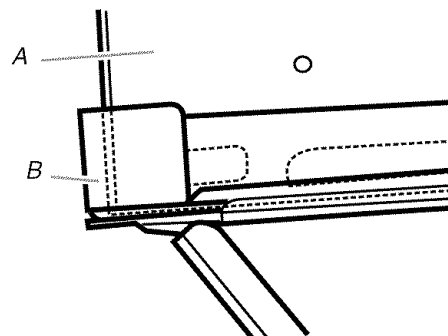
Incorrect Installation



A. Window sash
B. Top channel
C. Air conditioner

3. If the bottom of the air conditioner does not sit against the bottom of the SMART-MOUNT® tray, remove air conditioner and adjust angle of tray until air conditioner sits against the bottom of the tray.

IMPORTANT: The tray must slope downward slightly toward the outside to provide proper drainage for the air conditioner.

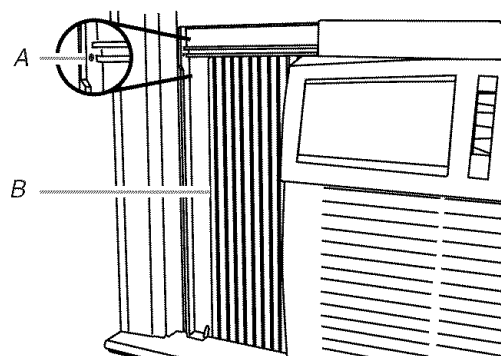


A. Air conditioner sitting on SMART-MOUNT® tray
B. SMART-MOUNT® tray

Attach Side Curtains to Window

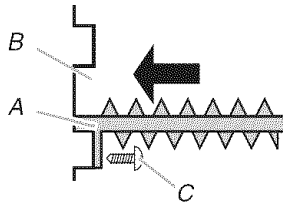
1. Pull left-hand curtain frame out until it fits into the window channel. Repeat with right-hand curtain frame.
2. Insert one of the #8 x 3/4" round-head screws through left-hand curtain frame and into the window channel to fasten the curtain frame to the window.
3. Repeat for right-hand curtain frame.

Front View



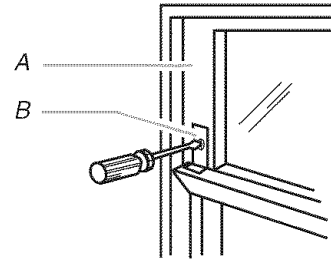
A. Hole for #8 x 3/4" round-head screw
B. Side curtain

Top View



A. Side curtain against window channel
 B. Window channel
 C. #8 x 3/4" round-head screw

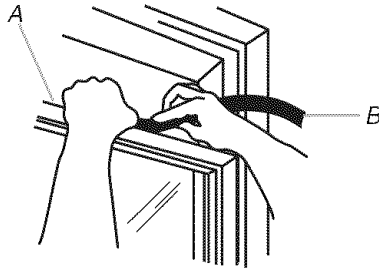
- Attach window-lock bracket to window sash with #8 x 3/4" round-head screw to secure window in place.



A. Upper window sash
 B. Window-lock bracket

Complete Installation

- Insert foam seal behind the top of the lower window sash and against the glass of the upper window.



A. Lower window sash
 B. Foam seal

- Place window-lock bracket on top of lower window and against upper window sash.
- Use a 3/32" drill bit to drill a starter hole through the hole in the bracket into the window sash.

⚠ WARNING

Electrical Shock Hazard

Plug into a grounded 3 prong outlet.

Do not remove ground prong.

Do not use an adapter.

Do not use an extension cord.

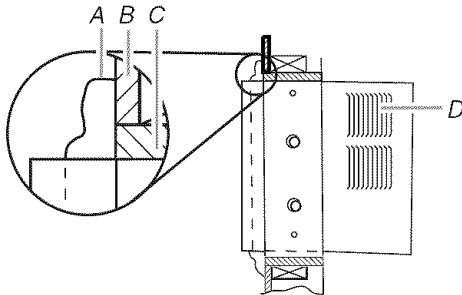
Failure to follow these instructions can result in death, fire, or electrical shock.

- Plug into a grounded 3 prong outlet.
- Press RESET on the power supply cord plug.

Through-the-Wall Installation

Option 1 – Wood, Metal or Plastic Molding

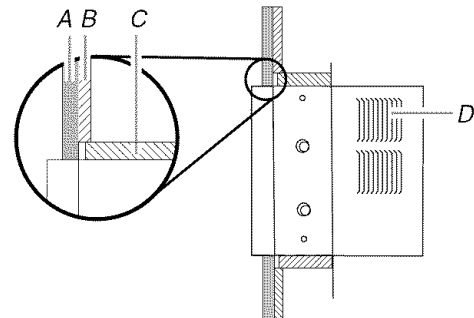
When you are using a wood, metal or plastic molding, the wood frame should line up with inside wall as shown.



A. Molding C. Wood frame
 B. Inside wall D. Louvers

Option 2 – Plaster Wall With No Molding

If the plastered wall is to be flush with the cabinet and no molding is used, the wood frame must be set 1/2" (13 mm) into the inside wall.



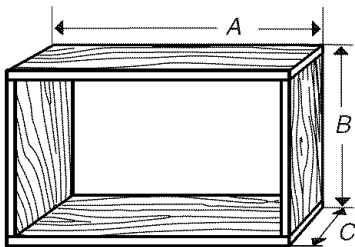
A. Plastered wall C. Wood frame
 B. Inside wall D. Louvers

Install Wood Frame

1. Construct wood frame. See "Location Requirements" for dimensions.
2. Measure outside width and height of frame to determine wall opening dimensions.
3. Cut opening through the wall. Remove and save insulation.

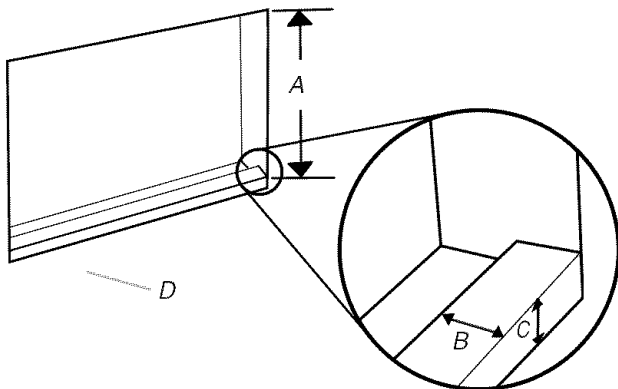
NOTES:

- Dimension for depth depends on wall thickness and type of molding.
- Do not block louvers in air conditioner cabinet.
- Use 1" (2.5 cm) or thicker lumber for wood frame.



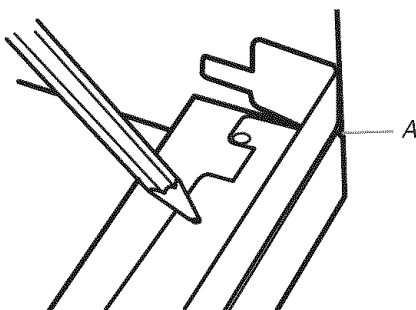
A. Outside width
B. Outside height
C. Depth

4. Apply wood preservative to the outside exposed surface.
5. Insert the frame in the wall opening. Square and level frame.
6. Attach frame securely to the wall.
7. Place a $\frac{3}{4}$ " (2 cm) thick by 2" (5 cm) wide wood strip on the bottom of the opening against the inside edge.

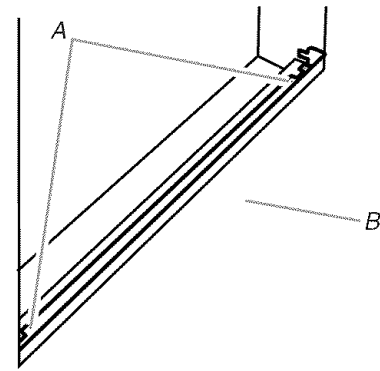


A. 17 $\frac{1}{4}$ " (43.8 cm)
B. 2" (5 cm) wide
C. $\frac{3}{4}$ " (2 cm) thick
D. Indoor side of wall opening

8. Center the tray back in the opening and align it with the inside edge of the opening. Using the 2 inside screw holes in the tray back, mark screw locations for mounting the SMART-MOUNT® tray.



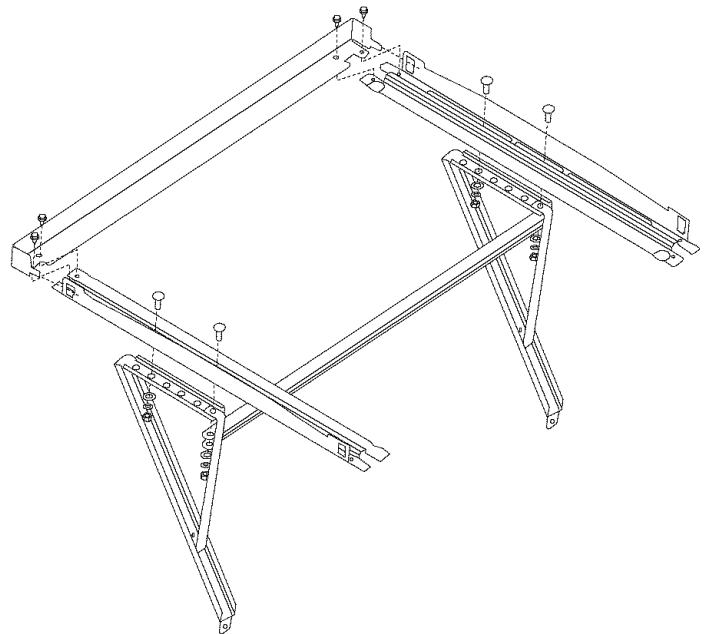
A. Flush with inside wall



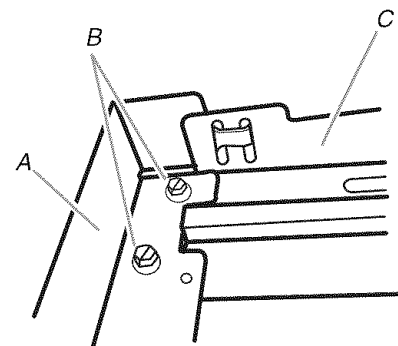
A. Inside screw holes
B. Indoor side of wall opening

9. Remove the tray back. Using these marks, drill $\frac{3}{32}$ " pilot holes approximately 1 $\frac{1}{2}$ " (3.8 cm) deep.

Assemble SMART-MOUNT® Tray



1. To assemble the tray frame, insert tab on tray back into slot on tray side. Check to see that the tab is engaged and the 2 pieces are aligned. Insert 2 - #8 - 18 x $\frac{1}{4}$ " hex-head screws to secure.
2. Repeat with other tray side.

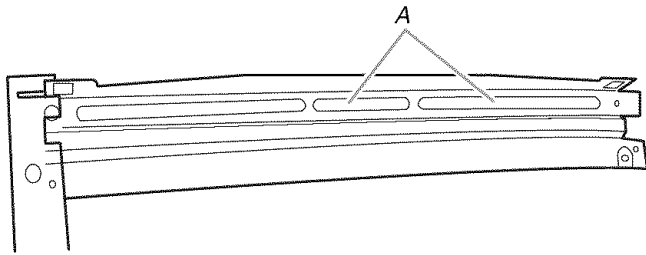


A. Tray back
B. #8 - 18 x $\frac{1}{4}$ " hex-head screws
C. Tray side

Attach Support Legs

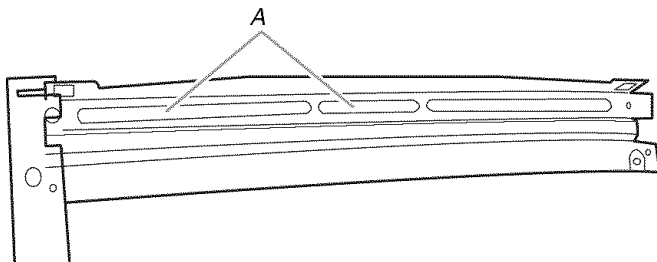
1. Determine the correct slots on the tray side from the type of exterior construction of the building.

Thin Wall Construction (vinyl, wood, etc.)



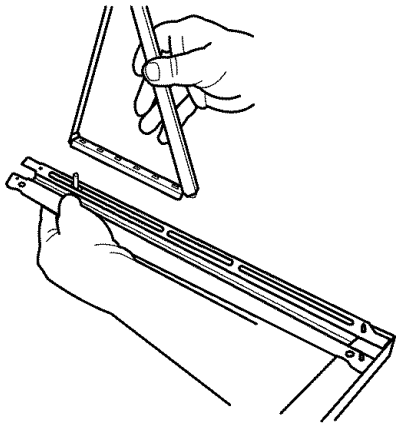
A. First and second slots

Thick Wall Construction (brick)

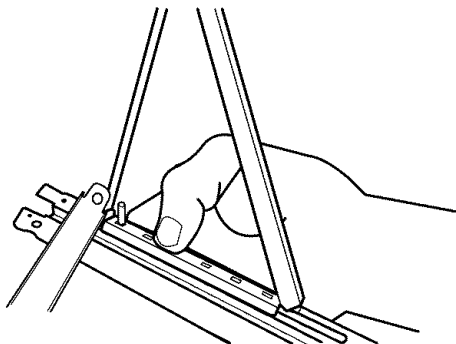


A. Second and third slots

2. Insert carriage bolt up through slot on tray-frame side and support leg.

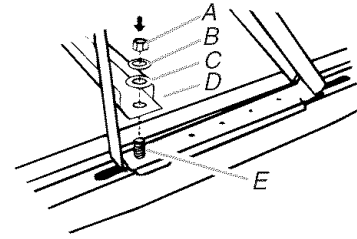


3. Place one end of tray center over carriage bolt.



4. Then place flat washer, lock washer and hex nut.

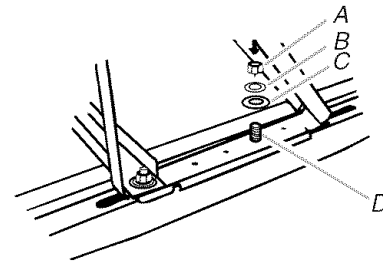
NOTE: Do not tighten. The leg must be able to move freely to adjust angle when installed.



A. Hex nut
B. Lock washer
C. Flat washer
D. Tray center
E. Carriage bolt

5. Insert second carriage bolt through tray side and attach other end of support leg.

NOTE: Do not tighten. The leg must be able to move freely to adjust angle when installed.

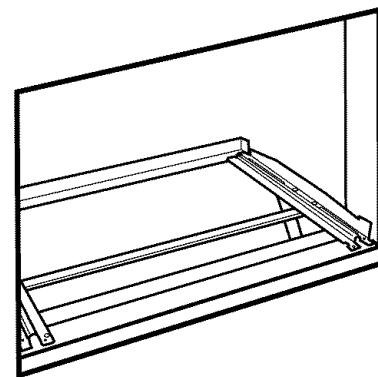


A. Hex nut
B. Lock washer
C. Flat washer
D. Carriage bolt

6. Install support leg on other side.

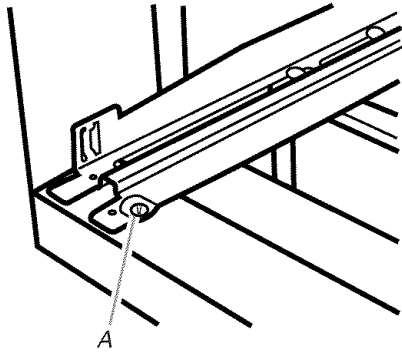
Install SMART-MOUNT® Tray Assembly in Wall Opening

1. From inside, place SMART-MOUNT® tray, support legs facing down, in the wall opening. Match the holes in tray side with the predrilled holes in wall opening.



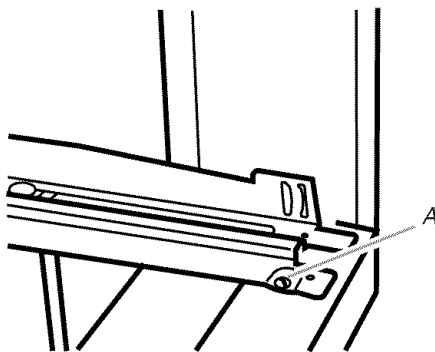
- Using 2 - #10 - 12 x 1½" slot-head wood screws, secure the tray-frame assembly to the wall opening.

Left Side



A. #10 - 12 x 1½" slot-head wood screw

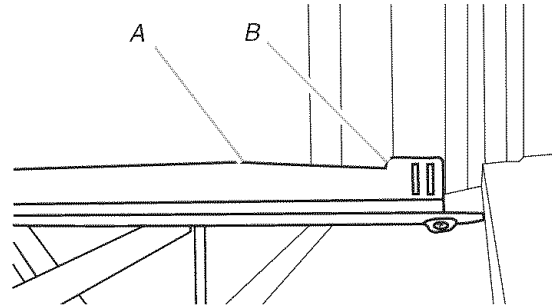
Right Side



A. #10 - 12 x 1½" slot-head wood screw

NOTE: If the exterior of building can be damaged by support legs, place a board between the wall and support legs.

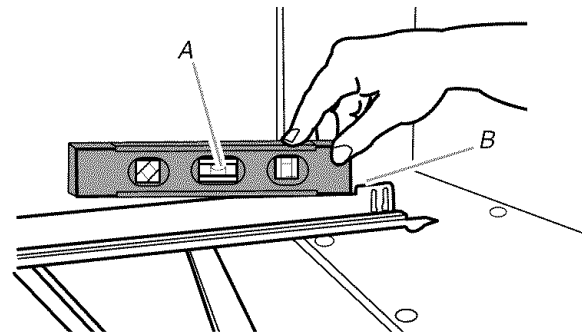
- With tray center pushed away from the windowsill, place a level on the angled edge on top of the tray side. Be sure level is against notch on tray side.



A. Angled edge on top of the tray side
B. Notch

- Adjust SMART-MOUNT® tray until bubble indicates the angled edge on top of the tray side is level.

IMPORTANT: The tray must slope downward slightly toward the outside to provide proper drainage for the air conditioner.



A. Bubble indicates the angled edge on top of the tray side is level.
B. Place level on angled edge against notch on tray side.

- Tighten the hex nut just enough to hold tray center in place.
- Repeat with other side.
- Tighten hex nuts securely with 7/16" wrench.

Position the Air Conditioner Through the Wall

- Handle air conditioner gently.
- Be sure your air conditioner does not fall out of the opening during installation or removal.
- Do not block the louvers on the front panel.
- Do not block the louvers on the outside of the air conditioner.

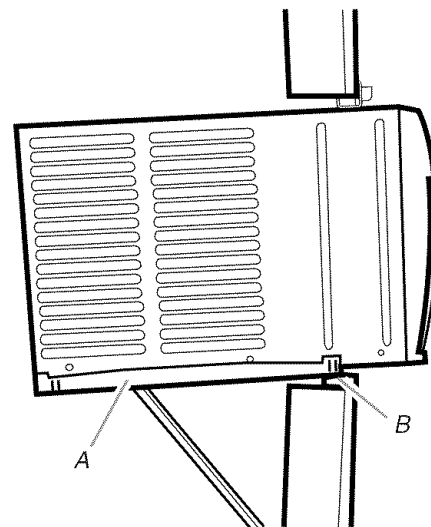
WARNING

Excessive Weight Hazard

Use two or more people to move and install air conditioner.

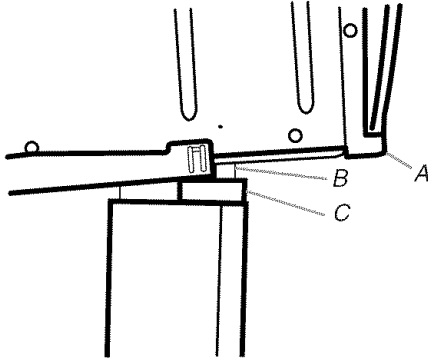
Failure to do so can result in back or other injury.

- Place the air conditioner in the SMART-MOUNT® tray. Check that feet on bottom of air conditioner are resting on the ¾" (1.9 cm) x 2" (5 cm) wood strip at the bottom of the wall opening and the top channel rests against the top of the wall opening.



A. SMART-MOUNT® tray
B. Feet on bottom of air conditioner resting on wood strip

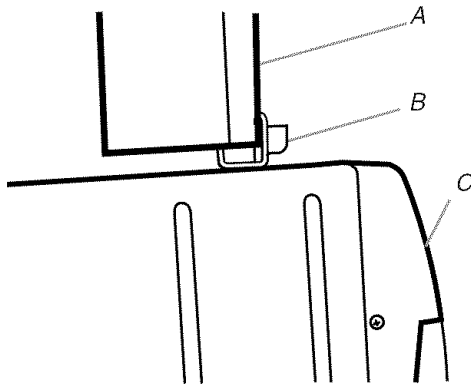
- If the feet on the bottom of the air conditioner do not rest on the wood strip, remove the air conditioner and adjust the SMART-MOUNT® tray until feet rest on the wood strip.



A. Air conditioner
B. Feet on bottom of air conditioner
C. 3/4" (1.9 cm) x 2" (5 cm) wood strip

- If top channel does not rest against the top of the wall opening, remove air conditioner and adjust SMART-MOUNT® tray until top channel rests against wall.

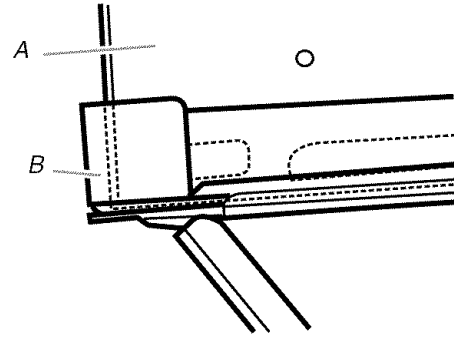
IMPORTANT: The tray must slope downward slightly toward the outside to provide proper drainage for the air conditioner.



A. Top of wall opening
B. Top channel
C. Air conditioner

- If the bottom of the air conditioner does not sit against the bottom of the SMART-MOUNT® tray, remove air conditioner and adjust angle of tray until air conditioner sits against the bottom of the tray.

IMPORTANT: The tray must slope downward slightly toward the outside to provide proper drainage for the air conditioner.



A. Air conditioner sitting on SMART-MOUNT® tray
B. SMART-MOUNT® tray

- Install screws through the top channel to secure the air conditioner into the wall opening.

Complete Installation

- Trim and seal around the air conditioner on the inside and the outside.

NOTE: Allow for removal of the air conditioner at a later time for routine annual maintenance.

⚠ WARNING



Electrical Shock Hazard

Plug into a grounded 3 prong outlet.

Do not remove ground prong.

Do not use an adapter.

Do not use an extension cord.

Failure to follow these instructions can result in death, fire, or electrical shock.

- Plug into a grounded 3 prong outlet.
- Press RESET on the power supply cord plug.

AIR CONDITIONER USE

Operating your air conditioner properly helps you to obtain the best possible results.

This section explains proper air conditioner operation.

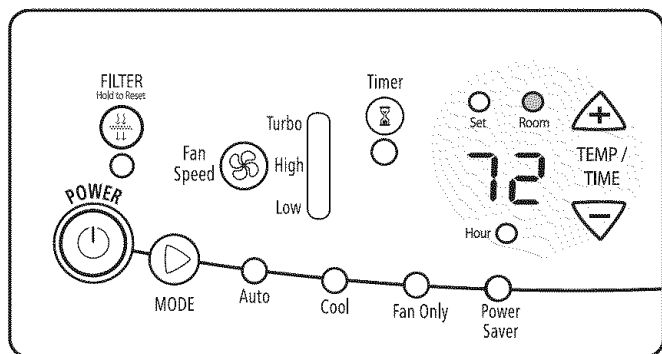
IMPORTANT:

- If you turn off the air conditioner, wait at least 3 minutes before turning it back on. This prevents the air conditioner from blowing a fuse or tripping a circuit breaker.

- Do not try to operate your air conditioner in the cooling mode when outside temperature is below 65°F (18°C). The inside evaporator coil will freeze up, and the air conditioner will not operate properly.

NOTE: In the event of a power failure, your air conditioner will operate at the previous settings when the power is restored.

Start Your Air Conditioner—Digital Control



NOTES:

- When the air conditioner is off, the Room indicator light is lit and the display shows the current room temperature.
 - If the room temperature is below 55°F (13°C), the display will show 55°F (13°C). If the room temperature is above 99°F (37°C), the display will show 99°F (37°C).
 - When the Set indicator light is lit, the display shows the temperature control setting. See “Temperature.”
 - When the Hour indicator light is lit, the display shows the time remaining on the Timer setting. See “Timer Delay.”
1. Remove clear protective film from control panel and front panel badge.
 2. Press POWER to turn on air conditioner.



NOTE: When air conditioner is turned on for the first time after it is plugged in, it will display the default settings: Cool mode, Turbo fan speed, 72°F (22°C) for 3 seconds. When it is turned on at all other times, it will display the previous settings for 3 seconds, and then display the room temperature.

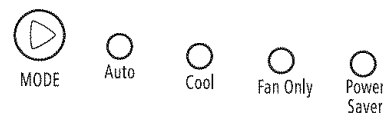
3. Select mode. See “Mode.”
4. Select fan speed. See “Fan Speed.”
5. Set temperature. See “Temperature.”

Mode

1. Press MODE until you see the indicator light come on for the setting you desire.
2. Choose Auto, Cool, Fan Only or Power Saver.
 - Auto—Cools room while it automatically controls fan speed. You cannot change fan speed, but you can adjust temperature by pressing the plus or minus button.
 - Cool—Cools room. You can adjust temperature by pressing the plus or minus button. You can select fan speed by pressing FAN SPEED.
 - Fan Only—Only the fan runs. You can select the fan speed by pressing FAN SPEED, but you cannot adjust the Temperature control setting. Display shows the current room temperature.

- Power Saver—Fan runs only when cooling is needed. You can select the fan speed by pressing FAN SPEED.

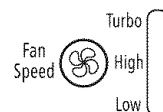
Because the fan does not circulate the room air continuously, less energy is used, but the room air is not circulated as often. Use Power Saver when you are asleep or away from home.



Fan Speed

NOTE: The Fan Speed button will operate only when Cool, Fan Only or Power Saver mode has been selected.

1. Press FAN SPEED until you see the indicator light come on for the setting you desire.
2. Choose Turbo, High or Low.



Filter Monitor

1. When Filter indicator light is lit or flashing, remove, clean and replace air filter. See “Cleaning the Air Filter.”
2. Press and hold FILTER for 3 seconds after cleaning and replacing the air filter. This resets the Filter Monitor.

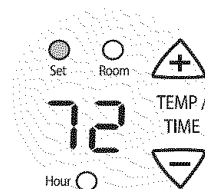


NOTE: After 360 hours of fan operating time, the Filter indicator light will turn on. It will remain on for 180 hours or until you press FILTER. After 180 hours, it will flash. It will continue flashing until you press FILTER.

Temperature

- Press the plus button to raise the temperature. Room indicator light will turn off, and Set indicator light will turn on. Display shows the Temperature control setting. Each time you press or hold the plus button, the temperature will increase 1° until it reaches 86°F (30°C).

NOTE: After 3 seconds, Set indicator light will turn off, and Room indicator light will turn on. Display will show the current room temperature.



- Press the minus button to lower the temperature. Room indicator light will turn off, and Set indicator light will turn on. Display shows the Temperature control setting. Each time you press or hold the minus button, the temperature will decrease 1° until it reaches 64°F (18°C).

NOTE: After 3 seconds, Set indicator light will turn off, and Room indicator light will turn on. Display will show the current room temperature.

To change the temperature display from °F to °C:

1. Turn off the air conditioner.
2. While the air conditioner is off, press and hold down the MODE and FAN SPEED buttons while pressing POWER to turn on the air conditioner.

NOTE: Follow these same steps to change the temperature display from °C to °F.

Timer Delay

To set the Timer for a 1- to 24-hour delay until the air conditioner turns off (the air conditioner must be On):

1. Press TIMER. Timer indicator light will flash. Hour indicator light will turn on, and display will show remaining hours before air conditioner will turn off.



2. Press the plus or minus button to adjust the delay time (1 to 24 hours).
3. Press TIMER again or wait 10 seconds. Timer indicator light will remain on. Hour indicator light will turn off, and Room indicator light will turn on. Display will show the current room temperature.

To set the Timer to turn on the air conditioner, keeping previous settings:

1. Turn off air conditioner.
2. Press TIMER. Timer indicator light will flash. Hour indicator light will turn on, and display will show remaining hours before air conditioner will turn on.
3. Press the plus or minus button to change delay time (1 to 24 hours).
4. Press TIMER again or wait 10 seconds. Timer indicator light will remain on. Hour indicator light will turn off, and Room indicator light will turn on. Display will show current room temperature.

To set the Timer to turn on the air conditioner, changing the previous settings:

1. Turn on air conditioner.
2. Adjust Mode to Auto, Cool, Fan Only, or Power Saver.

NOTE: For Auto mode, go to Step 4.
3. For Cool, Fan Only or Power Saver mode, adjust FAN SPEED to Turbo, High or Low.
4. Adjust temperature between 64°F (18°C) and 86°F (30°C).
5. Wait 3 seconds before turning off air conditioner.
6. Press TIMER. Timer indicator light will flash. Hour indicator light will turn on, and display will show remaining hours before air conditioner will turn on.
7. Press the plus or minus button to change delay time (1 to 24 hours).

8. Press TIMER again or wait 10 seconds. Timer indicator light will remain on. Hour indicator light will turn off, and Room indicator light will turn on. Display will show current room temperature.

To clear Timer delay program:

NOTE: Air conditioner can be either on or off.

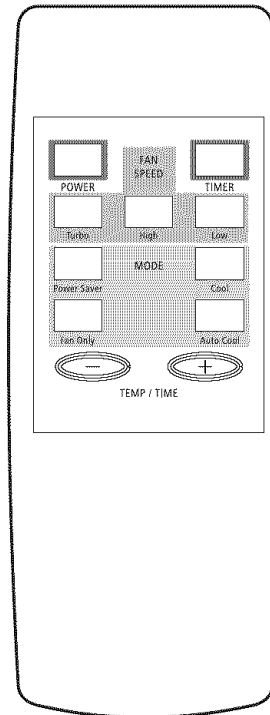
Press and hold TIMER for 3 seconds. Timer indicator light will shut off.

To see or change the remaining time (in hours):

1. Press TIMER once after it has been programmed. Hour indicator light will turn on, and display will show remaining time.
2. While the display is showing the remaining time, you can press the plus or minus button to increase or decrease the time.
3. After 10 seconds, Hour indicator light will turn off, and Room indicator light will turn on. Display will show the current room temperature.

To Operate Air Conditioner with Remote Control

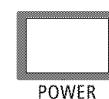
NOTE: Remote control may vary in appearance.



NOTE: Two AA batteries (not included) power the remote control. Replace batteries after 6 months of use, or when the remote control starts to lose power.

To turn the air conditioner on or off:

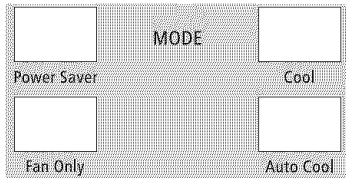
Press POWER.



To select the mode:

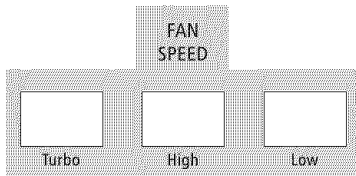
Press AUTO COOL, COOL, FAN ONLY, or POWER SAVER.

- Auto Cool—fan speed is adjusted automatically.
- Cool, Fan Only or Power Saver—you can adjust the fan speed.



To select the fan speed (in Cool, Fan Only or Power Saver mode only):

Press TURBO, HIGH or LOW.

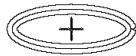


To raise the temperature:

Press the plus button. Room indicator light on air conditioner will turn off, and Set indicator light on air conditioner will turn on.

Display on air conditioner shows the Temperature control setting. Each time you press or hold the plus button, the temperature will increase 1° until it reaches 86°F (30°C).

NOTE: After 3 seconds, Set indicator light on air conditioner will turn off, and Room indicator light on air conditioner will turn on. Display on air conditioner will show the current room temperature.



To lower the temperature:

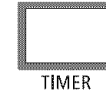
Press the minus button. Room indicator light on air conditioner will turn off, and Set indicator light on air conditioner will turn on. Display on air conditioner shows the Temperature control setting. Each time you press or hold the minus button, the temperature will decrease 1° until it reaches 64°F (18°C).

NOTE: After 3 seconds, Set indicator light on air conditioner will turn off, and Room indicator light on air conditioner will turn on. Display on air conditioner will show the current room temperature.



To set the Timer for a 1- to 24-hour delay until the air conditioner turns off (the air conditioner must be On):

1. Press TIMER. Timer indicator light on air conditioner will flash. Hour indicator light on air conditioner will turn on, and display on air conditioner will show remaining hours before air conditioner will turn off.



2. Press the plus or minus button to change delay time (1 to 24 hours).
3. Press TIMER again or wait 10 seconds. Timer indicator light on air conditioner will remain on. Hour indicator light on air conditioner will turn off, and Room indicator light on air conditioner will turn on. Display on air conditioner will show the current room temperature.

To set Timer to turn on air conditioner, keeping previous settings:

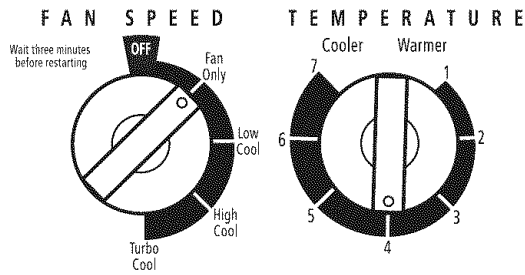
1. Turn off air conditioner.
2. Press TIMER. Timer indicator light on air conditioner will flash. Hour indicator light on air conditioner will turn on, and display on air conditioner will show remaining hours before air conditioner will turn off.
3. Press the plus or minus button to change delay time (1 to 24 hours).
4. Press TIMER again or wait 10 seconds. Timer indicator light on air conditioner will remain on. Hour indicator light on air conditioner will turn off, and Room indicator light on air conditioner will turn on. Display on air conditioner will show the current room temperature.

To set Timer to turn on air conditioner, changing the previous settings:

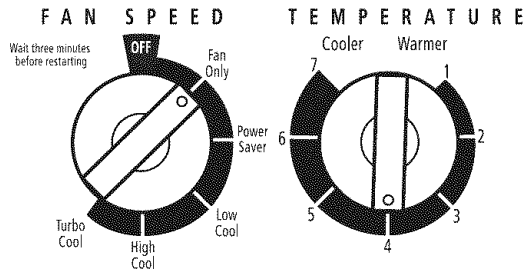
1. Turn on air conditioner.
2. Adjust Mode to Auto Cool, Cool, Fan Only, or Power Saver.
NOTE: For Auto Cool mode, go to Step 4.
3. For Cool, Fan Only or Power Saver mode, adjust Fan Speed to Turbo, High or Low.
4. Adjust temperature between 64°F (18°C) and 86°F (30°C).
5. Wait 3 seconds before turning off air conditioner.
6. Press TIMER. Timer indicator light on air conditioner will flash. Hour indicator light on air conditioner will turn on, and display on air conditioner will show remaining hours before air conditioner will turn on.
7. Press the plus or minus button to change delay time (1 to 24 hours).
8. Press TIMER again or wait 10 seconds. Timer indicator light on air conditioner will remain on. Hour indicator light on air conditioner will turn off, and Room indicator light on air conditioner will turn on. Display on air conditioner will show current room temperature.

Start Your Air Conditioner—Rotary Control

Models Without Power Saver



Models With Power Saver

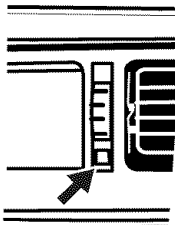


1. Remove clear protective film from front panel badge (on some models).
2. Set exhaust control. See “Exhaust Control (on some models).”
3. Select the fan speed. See “Fan Speed.”
4. Select temperature. See “Temperature.”

Exhaust Control (on some models)

Push the Exhaust control CLOSED for maximum continuous cooling. Pull the Exhaust control OPEN to allow you to draw stale or smoky air from the room.

- Open—pull to exhaust room air to the outside
- Closed—push to circulate room air



NOTE: The Exhaust control will function only when the Fan Speed control is operating.

Fan Speed

Set FAN SPEED to the desired setting. When the air conditioner is operating at Low Cool, High Cool, or Turbo Cool, the fan circulates air continuously.

- Turbo Cool—for maximum cooling
- High Cool—for normal cooling
- Low Cool—for sleeping comfort
- Fan Only—to move air continuously without cooling

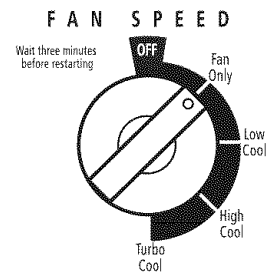
NOTE: Fan runs on Turbo speed only.

- Power Saver (on some models)—fan runs only when cooling is needed.

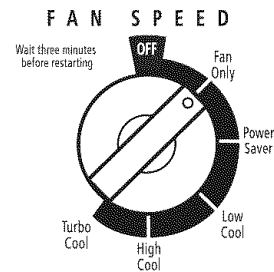
Because the fan does not circulate the room air continuously, less energy is used, but the room air is not circulated as often. Use Power Saver when you are asleep or away from home.

NOTE: Fan runs on Low speed only.

Models Without Power Saver

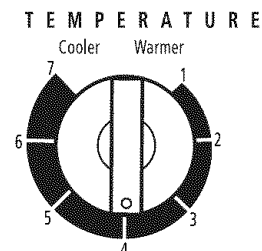


Models With Power Saver



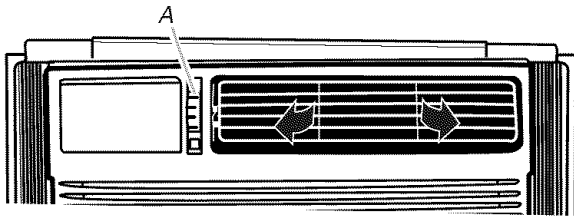
Temperature

Turn the TEMPERATURE control to a mid-setting. Adjust the air conditioner's performance by turning the Temperature control clockwise for maximum cooling. For less cooling, turn the TEMPERATURE control counterclockwise. Experiment to find the setting that suits you best.

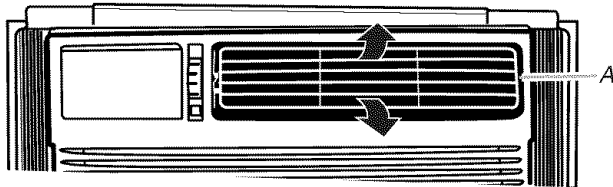


Change Air Direction

Roll the wheel to direct the air right or left. Rotate the whole cartridge to direct air up, down or straight ahead.



A. Wheel



A. Cartridge

Normal Sounds

When your air conditioner is operating normally, you may hear sounds such as:

- Droplets of water hitting the condenser, causing a pinging or clicking sound. The water droplets help cool the condenser.
- Air movement from the fan.
- Clicks from the thermostat cycle.
- Vibrations or noise due to poor wall or window construction.
- A high-pitched hum or pulsating noise caused by the modern high-efficiency compressor cycling on and off.

AIR CONDITIONER CARE

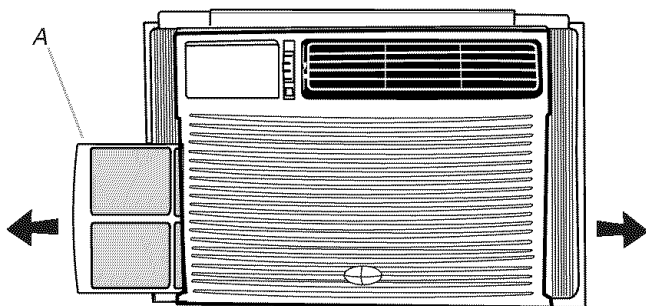
Your new air conditioner is designed to give you many years of dependable service. This section tells you how to clean and care for your air conditioner properly. Call your local authorized dealer for an annual checkup. Remember... the cost of this service call is your responsibility.

Cleaning the Air Filter

The air filter is removable for easy cleaning. A clean filter helps remove dust, lint, and other particles from the air and is important for best cooling and operating efficiency. Check the filter every 2 weeks to see whether it needs cleaning.

NOTE: Do not operate the air conditioner without the filter in place.

1. Turn off air conditioner.
2. Remove air filter by sliding filter out from either side of unit.



A. Filter may be removed from either side.

3. Use a vacuum cleaner to clean air filter. If air filter is very dirty, wash it in warm water with a mild detergent. Do not wash air filter in the dishwasher or use any chemical cleaners. Air dry filter completely before replacing to ensure maximum efficiency.
4. Replace air filter by sliding filter back into either side of unit.

Cleaning the Front Panel

1. Turn off air conditioner.
2. Remove the air filter and clean it separately. See "Cleaning the Air Filter."
3. Wipe the front panel with a soft, damp cloth.
4. Air dry front panel completely.

Repairing Paint Damage

Check once or twice a year for paint damage. This is very important, especially in areas near oceans or where rust is a problem. If needed, touch up with a good grade enamel paint.

NOTE: To reduce paint damage during the winter, install a heavy-duty cover over air conditioner cabinet. For information on ordering a heavy-duty cover, see "Accessories."

Annual Maintenance

Your air conditioner needs annual maintenance to help ensure steady, top performance throughout the year. Call your local authorized dealer to schedule an annual checkup. The expense of an annual inspection is your responsibility.

TROUBLESHOOTING

Before calling for service, try the suggestions below to see whether you can solve your problem without outside help.

Air conditioner will not operate

⚠ WARNING



Electrical Shock Hazard

Plug into a grounded 3 prong outlet.

Do not remove ground prong.

Do not use an adapter.

Do not use an extension cord.

Failure to follow these instructions can result in death, fire, or electrical shock.

- **The power supply cord is unplugged.** Plug into a grounded 3 prong outlet. See “Electrical Requirements.”
- **Time-delay fuse or circuit breaker of the wrong capacity is being used.** Replace with a time-delay fuse or circuit breaker of the correct capacity. See “Electrical Requirements.”
- **The power supply cord has tripped (Reset button has popped out).** Press and release RESET (listen for click; Reset button will latch and remain in) to resume operation.
- **A household fuse has blown, or a circuit breaker has tripped.** Replace the fuse, or reset the circuit breaker. If the problem continues, call an electrician. See “Electrical Requirements.”
- **Depending on model, the Power button has not been pressed or the Fan Speed control is turned to Off.** Press POWER button or turn the Fan Speed control to an active setting.
- **The local power has failed.** Wait for power to be restored.

Air conditioner blows fuses or trips circuit breakers

- **Too many appliances are being used on the same circuit.** Unplug or relocate appliances that share the same circuit.
- **An extension cord is being used.** Do not use an extension cord with this or any other appliance.
- **You are trying to restart the air conditioner too soon after turning the unit off.** Wait at least 3 minutes after turning the unit off before trying to restart the air conditioner.

Air conditioner power supply cord trips (Reset button pops out)

- **Disturbances in your electrical current can trip (Reset button will pop out) the power supply cord.** Press and release RESET (listen for click; Reset button will latch and remain in) to resume operation.
- **Electrical overloading, overheating, cord pinching or aging can trip (Reset button will pop out) the power supply cord.** After correcting the problem, press and release RESET (listen for click; Reset button will latch and remain in) to resume operation.

NOTE: A damaged power supply cord must be replaced with a new power supply cord obtained from the product manufacturer and must not be repaired.

Air conditioner seems to run too much

- **The current air conditioner replaced an older model.** The use of more efficient components may cause the air conditioner to run longer than an older model, but the total energy consumption will be less. Newer air conditioners do not emit the “blast” of cold air you may be accustomed to from older units, but this is not an indication of lesser cooling capacity or efficiency. Refer to the efficiency rating (EER) and capacity rating (in Btu/h) marked on the air conditioner.
- **The air conditioner is in a heavily occupied room, or heat-producing appliances are in use in the room.** Use exhaust vent fans while cooking or bathing and try not to use heat-producing appliances during the hottest part of the day. A higher capacity air conditioner may be required, depending on the size of the room being cooled.

Air conditioner cycles on and off too much or does not cool

- **The Mode is set to Power Saver (on some models).** Use Power Saver only when you are asleep or away from home, since the fan does not circulate the room air continuously. Use Low, High or Turbo for your best comfort.
- **The air conditioner is not properly sized for your room.** Check the cooling capabilities of your room air conditioner. Room air conditioners are not designed to cool multiple rooms.
- **The filter is dirty or obstructed by debris.** Clean the filter.
- **The inside evaporator and outside condenser coils are dirty or obstructed by debris.** See “Annual Maintenance.”
- **There is excessive heat or moisture (open container cooking, showers, etc.) in the room.** Use a fan to exhaust heat or moisture from the room. Try not to use heat-producing appliances during the hottest part of the day.

- **The louvers are blocked.** Install the air conditioner in a location where the louvers are free from curtains, blinds, furniture, etc.
- **The outside temperature is below 65°F (18°C).** Do not try to operate your air conditioner in the cooling mode when the outside temperature is below 65°F (18°C).
- **The temperature of the room you are trying to cool is extremely hot.** Allow extra time for the air conditioner to cool off a very hot room.
- **Windows or doors to the outside are open.** Close all windows and doors.
- **The Exhaust control is set to OPEN (on some models).** Push the Exhaust control CLOSED for maximum cooling.
- **Depending on model, the Temp/Time or Temperature control is not at a cool enough setting.** Adjust the TEMP/TIME control to a cooler setting by pressing the minus button to reduce the temperature, or adjust the Temperature control to a cooler setting by turning the knob clockwise. Set the Fan Speed control to Turbo or Turbo Cool.

Temperature on display does not match room temperature

- **When the compressor and fan motor turn off during Power Saver mode, or after you turn off the unit, a lower temperature reading than the actual room temperature may be displayed for a short period of time.** This lower temperature reading is caused by the temperature sensor being located close to the cold evaporator coil. The actual room temperature will be displayed within a few minutes.

Water drips from cabinet into your house

- **The air conditioner is not properly leveled.** The air conditioner should slope slightly downward toward the outside. Level the air conditioner to provide a downward slope toward the outside to ensure proper drainage. See the Installation Instructions.

NOTE: Do not drill a hole into the bottom of the metal base and condensate pan.

ASSISTANCE OR SERVICE

Before calling for assistance or service, please check "Troubleshooting." It may save you the cost of a service call. If you still need help, follow the instructions below.

When calling, please know the purchase date and the complete model and serial number of your appliance. This information will help us to better respond to your request.

If you need replacement parts

If you need to order replacement parts, we recommend that you use only FSP® replacement parts. FSP® replacement parts will fit right and work right because they are made with the same precision used to build every new WHIRLPOOL® appliance.

To locate FSP® replacement parts in your area, call us or your nearest Whirlpool designated service center.

In the U.S.A.

Call the Whirlpool Customer eXperience Center toll free: **1-800-253-1301**.

Our consultants provide assistance with:

- Features and specifications on our full line of appliances.
- Installation information.
- Use and maintenance procedures.
- Accessory and repair parts sales.
- Specialized customer assistance (Spanish speaking, hearing impaired, limited vision, etc.).
- Referrals to local dealers, repair parts distributors and service companies. Whirlpool designated service technicians are trained to fulfill the product warranty and provide after-warranty service, anywhere in the United States.

To locate the Whirlpool designated service company in your area, you can also look in your telephone directory Yellow Pages.

For further assistance

If you need further assistance, you can write to Whirlpool Corporation with any questions or concerns at:

Whirlpool Brand Home Appliances
Customer eXperience Center
553 Benson Road
Benton Harbor, MI 49022-2692

Please include a daytime phone number in your correspondence.

Please record your model's information.

Whenever you call to request service on your appliance, you need to know your complete model number and serial number. You can find this information on the model and serial number label. See "Electrical Requirements" for model and serial number location.

Please record the model and serial number information below. Also, record the purchase date of your appliance and the store's name, address, and telephone number.

Model Number _____

Serial Number _____

Purchase Date _____

Store Name _____

Store Address _____

Store Phone _____

Keep this book and the sales slip together for future reference.

Accessories

You can order the following accessories for your air conditioner from your local authorized dealer or by calling **1-800-253-1301** from anywhere in the U.S.A.

Replacement Air Filters

A good, clean air filter is important for best cooling with least energy consumption. Your air filter should be cleaned regularly. See "Cleaning the Air Filter" for cleaning instructions. We suggest you replace your air filter once a year.

For a new electrostatic air filter, order Part Number 1187197. Airborne particles are attracted to an electrostatic air filter and remain attached to it until they are rinsed away. For a new antimicrobial air filter, order Part Number 1187389. In addition to providing all the benefits of an electrostatic air filter, an antimicrobial air filter also inhibits the growth of odor-causing bacteria, fungi, mold and mildew on the filter. Both of these air filters are sized to fit your air conditioner.

Heavy-Duty Cover

If you decide to leave your air conditioner installed during the winter, a heavy-duty cover will help protect your air conditioner and reduce drafts. The outdoor cover protects against cold drafts through the unit's air passages and protects the cabinet from snow, rain, sleet, rust, and dust.

For a heavy-duty outdoor cover sized to fit your air conditioner, order Part Number 484069.

For a heavy-duty indoor cover sized to fit your air conditioner, order Part Number 4392941.

In Canada

Call the Whirlpool Canada LP Customer Interaction Centre toll free: **1-800-807-6777**.

Our consultants provide assistance with:

- Features and specifications on our full line of appliances.
- Use and maintenance procedures.

- Accessory and repair parts sales.
- Referrals to local dealers, repair parts distributors, and service companies. Whirlpool Canada LP designated service technicians are trained to fulfill the product warranty and provide after-warranty service, anywhere in Canada.

For further assistance

If you need further assistance, you can write to Whirlpool Canada LP with any questions or concerns at:

Customer Interaction Centre
Whirlpool Canada LP
1901 Minnesota Court
Mississauga, Ontario L5N 3A7

Please include a daytime phone number in your correspondence.

SEGURIDAD DEL ACONDICIONADOR DE AIRE

Su seguridad y la seguridad de los demás es muy importante.

Hemos incluido muchos mensajes importantes de seguridad en este manual y en su electrodoméstico. Lea y obedezca siempre todos los mensajes de seguridad.



Este es el símbolo de advertencia de seguridad.

Este símbolo le llama la atención sobre peligros potenciales que pueden ocasionar la muerte o una lesión a usted y a los demás.

Todos los mensajes de seguridad irán a continuación del símbolo de advertencia de seguridad y de la palabra "PELIGRO" o "ADVERTENCIA". Estas palabras significan:

⚠ PELIGRO

Si no sigue las instrucciones de inmediato, usted puede morir o sufrir una lesión grave.

⚠ ADVERTENCIA

Si no sigue las instrucciones, usted puede morir o sufrir una lesión grave.

Todos los mensajes de seguridad le dirán el peligro potencial, le dirán cómo reducir las posibilidades de sufrir una lesión y lo que puede suceder si no se siguen las instrucciones.

INSTRUCCIONES IMPORTANTES DE SEGURIDAD

ADVERTENCIA: Para reducir el riesgo de incendio, choque eléctrico o lesiones personales al usar su acondicionador de aire, siga estas precauciones básicas:

- Conecte a un contacto de pared de conexión a tierra de 3 terminales.
- No quite el terminal de conexión a tierra.
- No use un adaptador.
- No use un cable eléctrico de extensión.
- Desconecte el acondicionador de aire antes de darle servicio.
- Use dos o más personas para mover e instalar el acondicionador de aire.

CONSERVE ESTAS INSTRUCCIONES

REQUISITOS DE INSTALACIÓN

Herramientas y piezas

Reúna las herramientas y piezas necesarias antes de comenzar la instalación. Lea y siga las instrucciones provistas con cualquiera de las herramientas enlistadas aquí.

Herramientas necesarias

- Destornilladores Phillips y de hoja plana
- Llave de tuercas de 1/4"
- Llave de 7/16"
- Tijeras
- Lápiz
- Cinta para medir
- Nivel
- Taladro
- Broca de 3/32" o más pequeña

Instalación a través de la pared

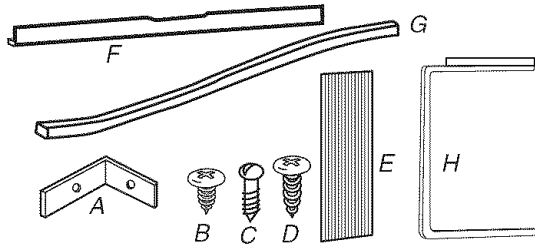
Además de las herramientas enlistadas arriba, se necesitan las siguientes herramientas para la instalación a través de la pared.

- Sierra
- Preservativo de la madera
- Masilla
- Madera de 1" (2,5 cm) o más gruesa

Piezas suministradas

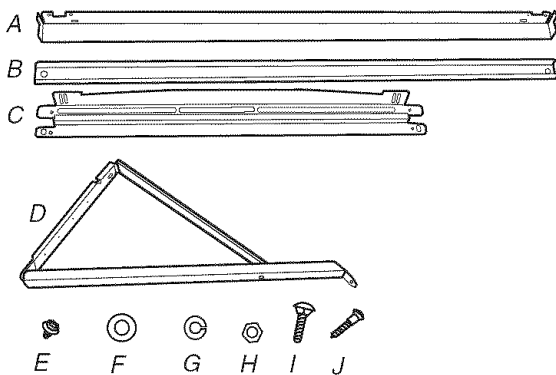
Verifique que estén todas las piezas en el paquete de piezas.

Instalación del acondicionador de aire



- A. Soporte de seguridad para la ventana
- B. Tornillos de cabeza plana #8 x 3/8" (6)
- C. Tornillos de cabeza redonda #8 x 3/4" (3)
- D. Tornillos de cabeza plana #10 x 3/8" (3)
- E. Cortinas laterales (2)
- F. Ranura superior
- G. Obturador del riel de ventana
- H. Marcos laterales de la ventana (2)

Instalación del ensamblaje de la bandeja SMART-MOUNT®



- A. Barra posterior de la bandeja
- B. Barra central de la bandeja
- C. Barras laterales de la bandeja (2)
- D. Patas de soporte (2)
- E. Tornillos de cabeza hexagonal #8 - 18 x 1/4" (4)
- F. Arandelas planas (4)
- G. Arandelas de presión (4)
- H. Tuercas hexagonales (4)
- I. Pernos de carruaje (4)
- J. Tornillos para madera de cabeza ranurada #10 - 12 x 1 1/2" (2)

Requisitos de ubicación

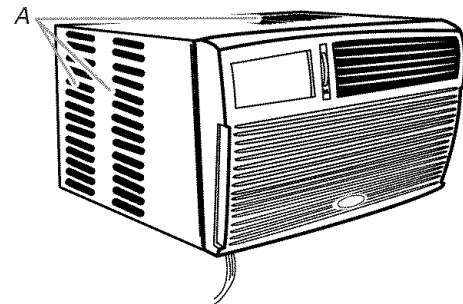
IMPORTANTE: Observe todos los códigos y reglamentos aplicables.

Verifique el lugar donde se instalará el acondicionador de aire. Asegúrese de que tiene todo lo necesario para una instalación correcta.

El lugar debe tener:

- Tomacorriente puesto a tierra a 4 pies (122 cm) de la parte donde el cable eléctrico sale del acondicionador de aire.
- NOTA:** No use un cable eléctrico de extensión.
- Libertad de movimiento del aire en la habitación que desea enfriar.
- Una abertura con la amplitud suficiente para el acondicionador de aire. Se incluyen piezas de instalación para ventanas de guillotina.
- Soporte adecuado en la pared para el peso del acondicionador de aire. El acondicionador de aire pesa de 80 lbs (36,3 kg) a 125 lbs (56,7 kg).

NOTA: No deben obstruirse las rejillas del gabinete. El aire debe circular libremente a través de las rejillas del gabinete.

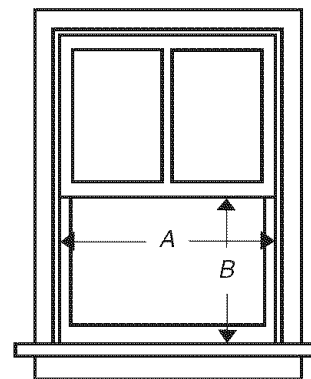


A. Rejillas del gabinete

Instalación en la ventana

Medidas de la abertura de la ventana:

- Ancho: 27" mín. a 40" máx. (68,6 cm a 101,6 cm)
- Altura: 19" mín. (48,3 cm)

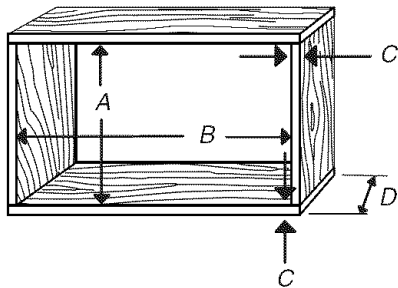


- A. 27" mín. a 40" máx. (68,6 cm a 101,6 cm)
- B. 19" mín. (48,3 cm)

Instalación a través de la pared

Las medidas de la abertura en la pared deben ser:

- Altura: 18" (45,7 cm) más el doble del espesor de la madera usada para construir el marco.
- Ancho: 26" (66 cm) más el doble del espesor de la madera usada para construir el marco.
- Profundidad: 2" (5 cm) mínimo a 8" (20,3 cm) máximo.



A. 18" (45,7 cm) C. Espesor de la madera
B. 26" (66 cm) D. 2" (5 cm) mínimo a 8" (20,3 cm) máximo

Requisitos eléctricos

⚠ ADVERTENCIA



Peligro de Choque Eléctrico

Conecte a un contacto de pared de conexión a tierra de 3 terminales.

No quite la terminal de conexión a tierra.

No use un adaptador.

No use un cable eléctrico de extensión.

No seguir estas instrucciones puede ocasionar la muerte, incendio o choque eléctrico.

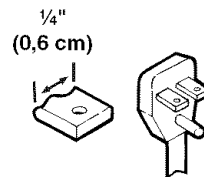
Las clasificaciones eléctricas para su acondicionador de aire están enumeradas en la etiqueta de número del modelo y de serie. La etiqueta con el número de modelo y serie está ubicada en el lado derecho del gabinete.

Los requisitos eléctricos específicos se indican en la tabla debajo. Siga los requisitos para el tipo de enchufe en el cable de alimentación eléctrica.

El cable eléctrico Requisitos de cableado



- 115 voltios (103,5 mín. - 126,5 máx.)
- 0-12 amperios
- Fusible de retardo de 15 amperios o disyuntor
- Úselo solamente en un circuito con tomacorriente único.



- 230 voltios (207 mín. - 253 máx.)
- 0-12 amperes
- Fusible de retardo de 15 amperes o disyuntor
- Úselo solamente en un circuito con tomacorriente único.

Método recomendado para la puesta a tierra

Este acondicionador de aire debe ser puesto a tierra. Este acondicionador de aire está equipado con un cable de suministro de energía provisto de un enchufe con tres terminales. Para reducir a un mínimo el peligro de posibles choques eléctricos, el cable debe ser enchufado en un contacto apropiado de pared de tres terminales conectado a tierra de acuerdo con todos los códigos y reglamentos locales. Si no se dispone de un tomacorriente apropiado, es responsabilidad del cliente hacer instalar un contacto con tres terminales debidamente puesto a tierra por un instalador eléctrico calificado.

Es responsabilidad del cliente:

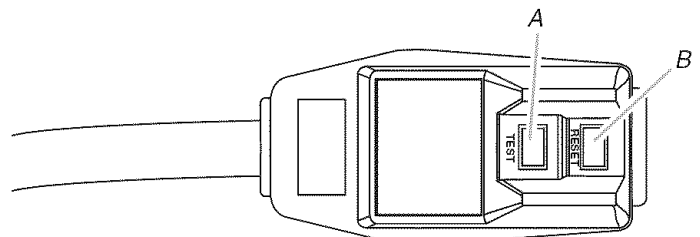
- Llamar a un instalador eléctrico calificado.
- Asegurarse de que la instalación eléctrica sea adecuada y esté hecha de acuerdo con el Código Nacional Eléctrico, ANSI/NFPA 70, última edición, y todos los códigos y reglamentos locales.

Pueden obtenerse copias de las normas señaladas en:

National Fire Protection Association
One Batterymarch Park
Quincy, MA 02269

Cable de suministro de energía

NOTA: Su aparato puede ser diferente del que se ilustra.



A. Botón de prueba
B. Botón de reposición

Este acondicionador de aire para habitación está equipado con un cable de suministro de energía según lo exige UL. Este cable de suministro de energía incluye circuitos electrónicos de última generación que detectan la corriente de fuga. Si se aplasta el cable, el elemento electrónico detecta la corriente de fuga y la energía se desconecta en una fracción de segundo.

⚠️ ADVERTENCIA



Peligro de Choque Eléctrico

Conecte a un contacto de pared de conexión a tierra de 3 terminales.

No quite la terminal de conexión a tierra.

No use un adaptador.

No use un cable eléctrico de extensión.

No seguir estas instrucciones puede ocasionar la muerte, incendio o choque eléctrico.

Para poner a prueba el cable de suministro de energía:

1. Enchufe el cable de suministro de energía en un tomacorriente de 3 terminales con conexión a tierra.

2. Presione RESET (Reposición).
3. Presione TEST (Prueba) (escuche el chasquido, el botón de reposición se dispara y salta).
4. Presione y suelte RESET (escuche el chasquido, el botón de reposición queda asegurado y se mantiene asegurado). El cable de suministro de energía está listo para su funcionamiento.

NOTAS:

- El botón de reposición debe presionarse para el funcionamiento adecuado.
- El cable de suministro de energía debe ser reemplazado si no se dispara cuando se presione el botón de prueba o cuando falle la reposición.
- No use el cable de suministro de energía como un interruptor de encendido y apagado. El cable de suministro de energía ha sido diseñado como un dispositivo protector.
- Un cable de suministro de energía dañado debe ser reemplazado por un nuevo cable de suministro de energía obtenido del fabricante del producto y no debe ser reparado.
- El cable de suministro de energía no contiene piezas que pueda arreglar el usuario. Todos los reclamos de desempeño y la garantía quedarán anulados si se abre el estuche resistente a alteraciones.

INSTRUCCIONES DE INSTALACIÓN

Desempaque el acondicionador de aire

⚠️ ADVERTENCIA

Peligro de Peso Excesivo

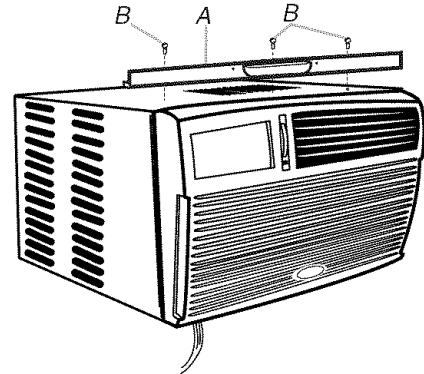
Use dos o más personas para mover e instalar el acondicionador de aire.

No seguir esta instrucción puede ocasionar una lesión en la espalda u otro tipo de lesiones.

Quite los materiales de empaque

- Quite y deshágase debidamente de todos los materiales de embalaje. Quite las cintas y los residuos de goma del acondicionador de aire antes de encenderlo. Frote un poco de detergente líquido para vajillas sobre el adhesivo con los dedos. Limpie con agua tibia y seque.
 - No use instrumentos filosos, alcohol para fricciones, líquidos inflamables o productos de limpieza abrasivos para eliminar los restos de cinta o goma. Estos productos pueden dañar la superficie de su acondicionador de aire.
 - Trate el acondicionador de aire con cuidado.
1. Ubique las bolsa provista con tornillos de cabeza plana.
 2. Coloque la ranura superior en la parte superior del acondicionador de aire, alineando los orificios en el canal superior con los orificios en la parte superior del acondicionador de aire.

3. Utilice 3 tornillos de cabeza plana #10 x 3/8" para fijar el canal superior al acondicionador de aire.

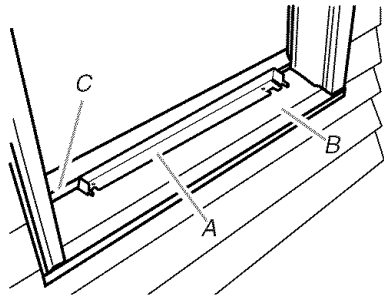


A. Ranura superior

B. Tornillo de cabeza plana #10 x 3/8"

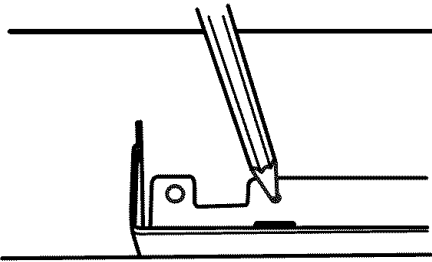
Instalación en la ventana

1. Usando la barra posterior de la bandeja como plantilla, céntrala en la parte inferior de la ventana contra la parte posterior del marco de la ventana.



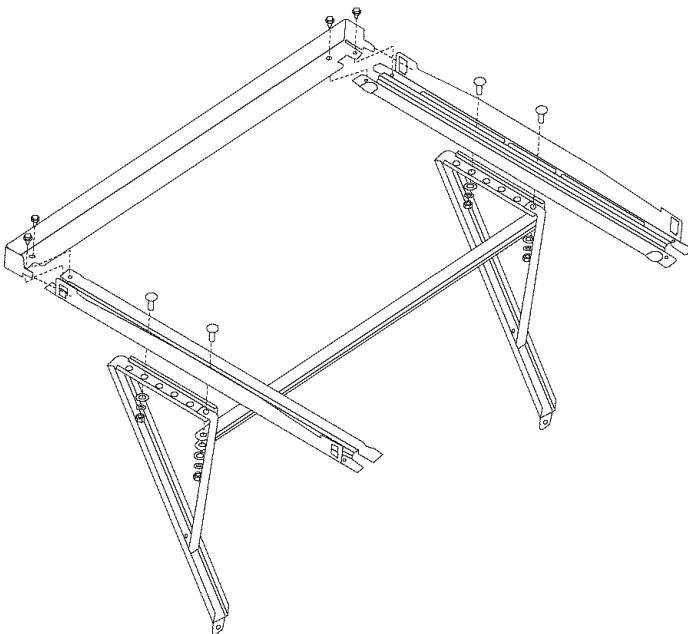
A. Barra posterior de la bandeja
B. Marco de la ventana
C. Parte posterior del marco de la ventana

2. Usando los dos orificios interiores para tornillo en la barra posterior de la bandeja, marque las ubicaciones de los tornillos en el marco de la ventana para montar el ensamblaje de la bandeja SMART-MOUNT®.

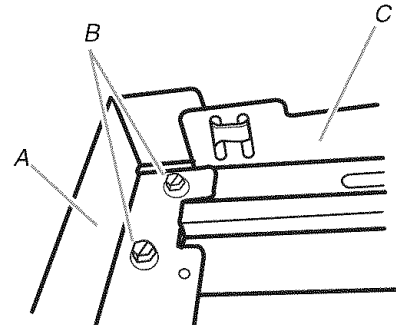


3. Quite la barra posterior de la bandeja. Con la broca de barrena de $\frac{3}{32}$ " , perfore orificios pilotos de $1\frac{1}{2}$ " (3,8 cm) de profundidad usando las marcas del paso anterior.

Ensamblaje de la bandeja SMART-MOUNT®



1. Para ensamblar el marco de la bandeja, inserte la lengüeta de la barra posterior de la bandeja dentro de la ranura lateral de la bandeja. Verifique que la lengüeta esté insertada y que las 2 piezas estén alineadas. Coloque 2 tornillos de cabeza hexagonal #8 - 18 x $\frac{1}{4}$ " para asegurarla.
2. Repita el procedimiento para la otra barra lateral de la bandeja.

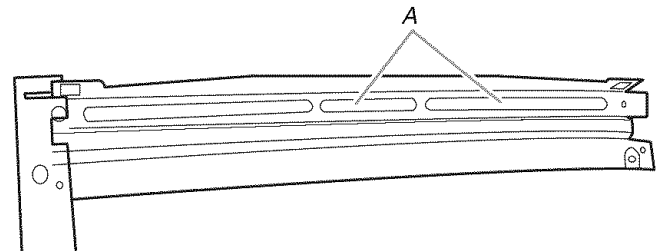


A. Barra posterior de la bandeja
B. Tornillos de cabeza hexagonal #8 - 18 x $\frac{1}{4}$ "
C. Barra lateral de la bandeja

Fije las patas de soporte

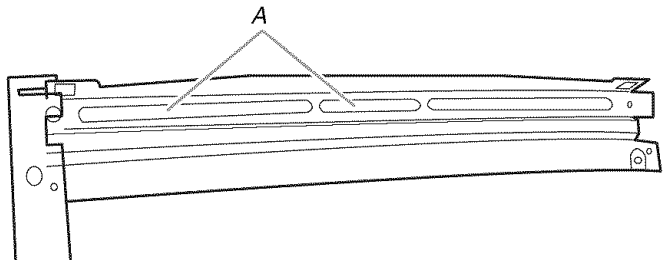
1. Determine las ranuras correctas de la barra lateral de la bandeja basándose en el tipo de construcción exterior del edificio.

Construcción de pared delgada (vinilo, madera, etc.)



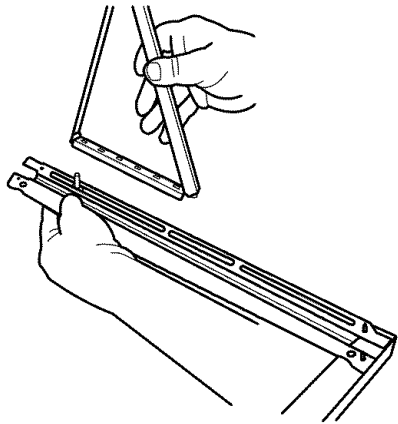
A. Primera y segunda ranura

Construcción gruesa de la pared (ladrillos)

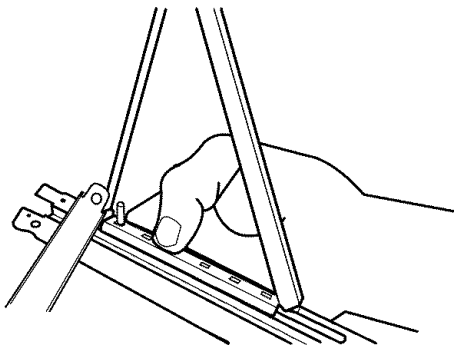


A. Segunda y tercera ranura

- Empuje el perno de carruaje hacia arriba en la ranura del lado del marco de la bandeja y la pata de soporte.

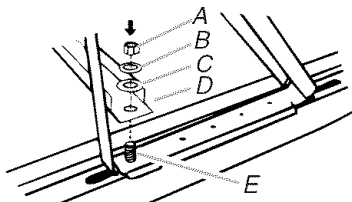


- Coloque un extremo de la barra central de la bandeja sobre el perno de carruaje.



- Luego coloque la arandela plana, la arandela de presión y la tuerca hexagonal.

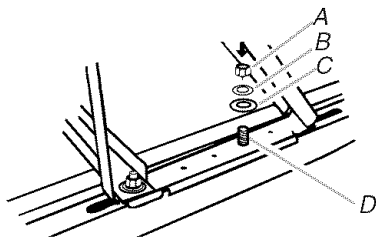
NOTA: No las apriete. La pata se debe mover libremente para poder ajustar el ángulo después de que esté instalada.



- | | |
|------------------------|--------------------------------|
| A. Tuerca hexagonal | D. Barra central de la bandeja |
| B. Arandela de presión | E. Perno de carruaje |
| C. Arandela plana | |

- Inserte el segundo perno de carruaje en la barra lateral del marco de la bandeja y ajuste el otro extremo de la pata de soporte.

NOTA: No las apriete. La pata se debe mover libremente para poder ajustar el ángulo después de que esté instalada.

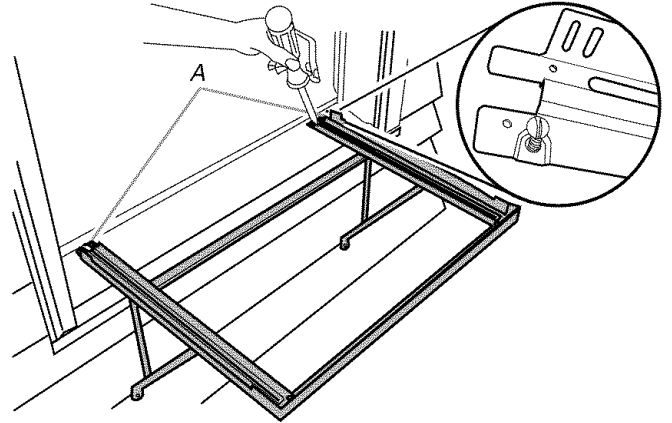


- | | |
|------------------------|----------------------|
| A. Tuerca hexagonal | C. Arandela plana |
| B. Arandela de presión | D. Perno de carruaje |

- Instale la pata de soporte en el otro lado.

Instale el ensamblaje de la bandeja SMART-MOUNT® en la ventana

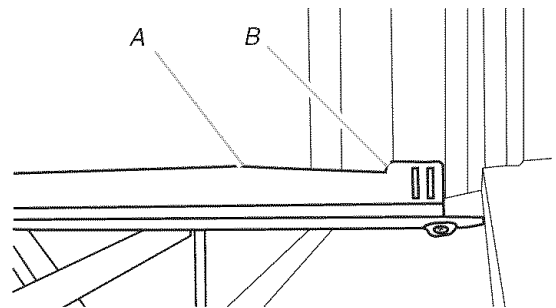
- Desde adentro, coloque la bandeja SMART-MOUNT® en la ventana con las patas de soporte mirando hacia abajo. Haga coincidir los orificios de las barras laterales de la bandeja con los orificios pilotos en el marco de la ventana.
- Usando 2 tornillos para madera de cabeza ranurada #10 - 12 x 1 1/2", ajuste el marco de la bandeja a la ventana.



A. Tornillos para madera de cabeza ranurada #10 - 12 x 1 1/2"

NOTA: Si el exterior del edificio se puede dañar con las patas de soporte, coloque una tabla entre la pared y las patas de soporte.

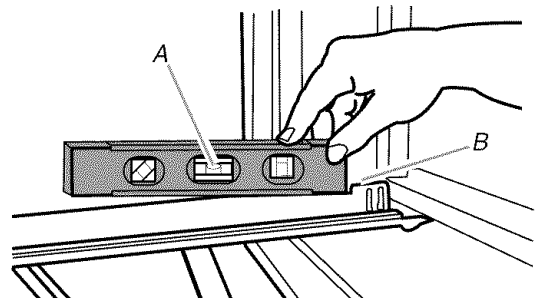
- Con el centro de la bandeja lejos del marco de la ventana, coloque un nivel en el extremo con ángulo del lado de la bandeja. Asegúrese de que el nivel esté contra la ranura del lado de la bandeja.



A. Extremo con ángulo sobre el lado de la bandeja
B. Ranura

- Ajuste la bandeja SMART-MOUNT® hasta que la burbuja indique que el extremo con ángulo sobre el lado de la bandeja está nivelado.

IMPORTANTE: La bandeja debe estar inclinada levemente hacia abajo y hacia fuera para que el acondicionador de aire desagüe adecuadamente.



A. La burbuja indica que el extremo con ángulo sobre el lado de la bandeja está nivelado
B. Coloque el nivel en el extremo con ángulo contra la ranura en el lado de la bandeja

- Ajuste la tuerca hexagonal solamente lo suficiente para mantener la barra central de la bandeja en su lugar.
- Repita el procedimiento con el otro lado.

- Ajuste con seguridad las tuercas hexagonales con una llave para tuercas de $\frac{7}{16}$ ".

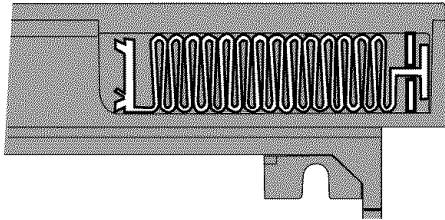
Prepare el acondicionador de aire para la instalación en una ventana

Instalación de las cortinas laterales

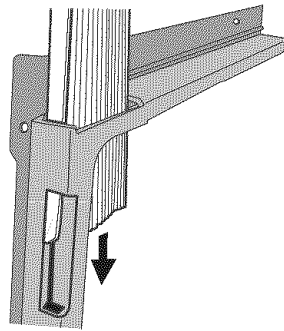
NOTA: Sujete las cortinas a la unidad antes de colocar la unidad en la ventana.

- Inserte la cortina en el marco de la cortina. Asegúrese de que el extremo de la cortina encaje de manera segura en el marco de la cortina.

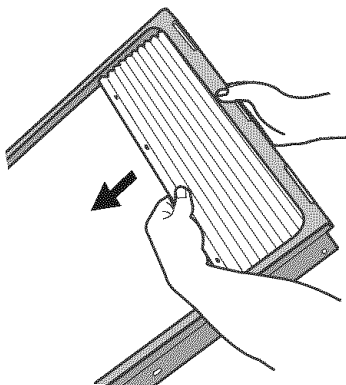
Vista superior



Vista lado

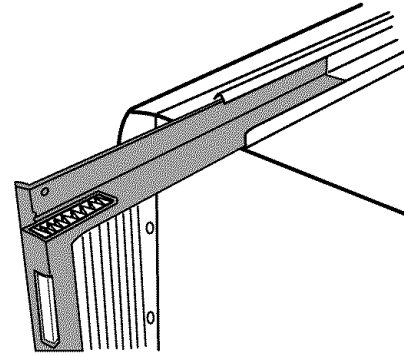


- Empuje la cortina hacia adentro por completo.
- Jale la cortina hacia el extremo abierto del marco de la cortina.

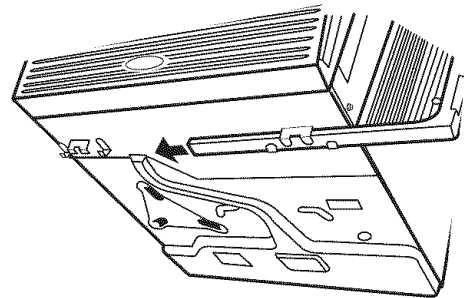


- Inserte la parte superior y luego la parte inferior del marco derecho de la cortina en las guías superior e inferior para cortinas del acondicionador de aire.

Vista superior

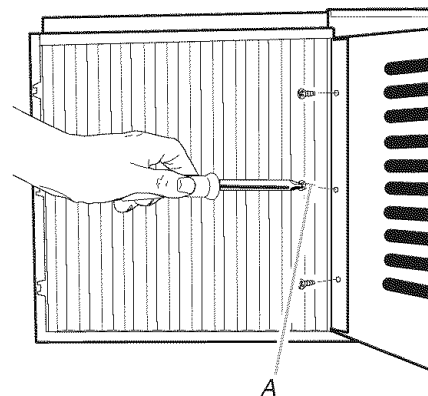


Vista inferior



- Extienda la cortina derecha hacia fuera de manera que pueda insertar el primer tornillo a través del orificio del medio de la cortina. Usando un tornillo de cabeza plana #8 x $\frac{3}{8}$ ", atornille la cortina al orificio del medio en el gabinete del acondicionador de aire.

NOTA: Se requiere este tornillo para ajustar correctamente la cortina (de arriba hacia abajo) al gabinete del acondicionador de aire.



A. Tornillos de cabeza plana #8 x $\frac{3}{8}$ "

- Con la cortina derecha todavía extendida, inserte los tornillos en las ranuras superior e inferior de la cortina. Usando tornillos de cabeza plana #8 x $\frac{3}{8}$ " atornille la cortina a los orificios superior e inferior en el gabinete del acondicionador de aire.
- Deslice el alojamiento de la cortina en las guías lo más lejos posible.
- Repita los pasos anteriores para la cortina izquierda.

Colocación del acondicionador de aire en la ventana

- Trate el acondicionador de aire con cuidado.
- Asegúrese de que el acondicionador de aire no se caiga de la abertura durante la instalación o al quitarlo.
- No bloquee las rejillas que están en el panel delantero.
- No bloquee las rejillas que están en el exterior del acondicionador de aire.

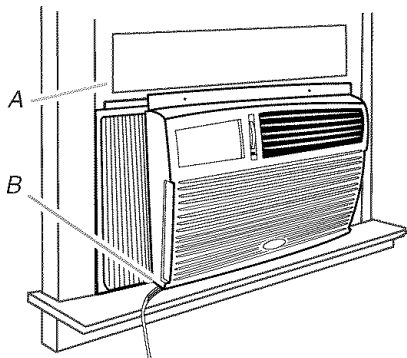
⚠ ADVERTENCIA

Peligro de Peso Excesivo

Use dos o más personas para mover e instalar el acondicionador de aire.

No seguir esta instrucción puede ocasionar una lesión en la espalda u otro tipo de lesiones.

1. Coloque el acondicionador de aire en la bandeja SMART-MOUNT®. Verifique que las patas de la parte inferior del acondicionador de aire estén detrás y contra la parte trasera del marco de la ventana. Baje el marco de la ventana.

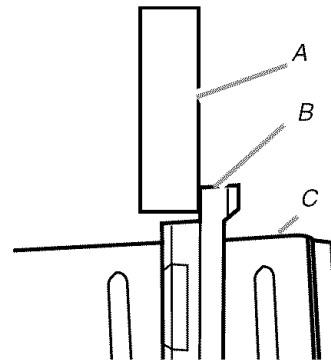


A. Marco de la ventana
B. Pies sobre la base del acondicionador de aire detrás del lado posterior del marco de la ventana

2. Si el marco de la ventana no cierra a escuadra contra la superficie posterior de la ranura superior, saque el acondicionador de aire y ajuste la bandeja SMART-MOUNT® hasta que el marco de la ventana cierre a escuadra contra la parte posterior superior superficie de la ranura superior.

IMPORTANTE: La bandeja debe estar inclinada levemente hacia abajo y hacia fuera para que el acondicionador de aire desagüe adecuadamente.

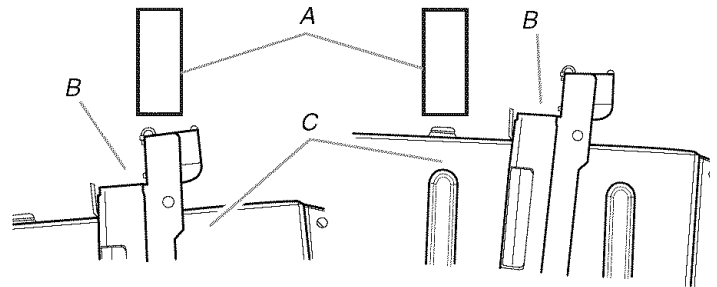
Instalación correcta



A. Marco de la ventana
B. Ranura superior
C. Acondicionador de aire

Si el acondicionador de aire se ve como cualquiera de las ilustraciones de "Instalación incorrecta", la bandeja SMART-MOUNT® necesita un ajuste.

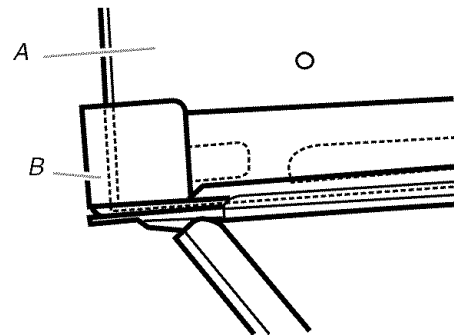
Instalación incorrecta



A. Marco de la ventana
B. Ranura superior
C. Acondicionador de aire

3. Si la base del acondicionador de aire no encaja contra la parte inferior de la bandeja SMART-MOUNT®, saque el acondicionador de aire y ajuste el ángulo de la bandeja hasta que el acondicionador de aire encaje contra la parte inferior de la bandeja.

IMPORTANTE: La bandeja debe estar inclinada levemente hacia abajo y hacia fuera para que el acondicionador de aire desagüe adecuadamente.

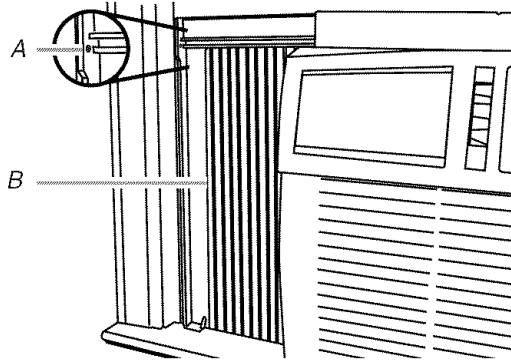


A. Acondicionador de aire encajado en la bandeja SMART-MOUNT®
B. Bandeja SMART-MOUNT®

Fije las cortinas laterales a la ventana

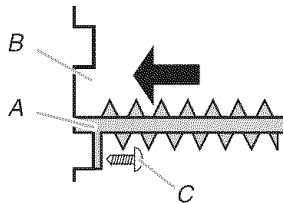
1. Jale de la cortina izquierda hacia afuera hasta que encaje en la ranura de la ventana. Repita el procedimiento para la cortina derecha.
2. Inserte uno de los tornillos de cabeza redonda #8 x 3/4", a través del marco de la cortina izquierda en la ranura de la ventana para asegurar el marco de la cortina a la ventana.
3. Repita el procedimiento para el marco de cortina derecha.

Vista frontal



A. Orificio para el tornillo de cabeza redonda #8 x 3/4"
B. Cortina lateral

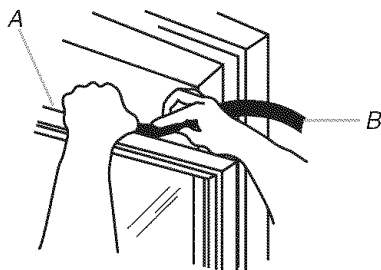
Vista superior



A. Cortina lateral contra la ranura de la ventana
B. Ranura de la ventana
C. Tornillo de cabeza redonda #8 x 3/4"

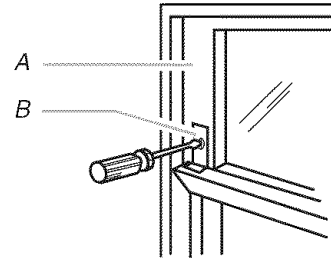
Complete la instalación

1. Inserte el obturador de espuma de la ventana detrás de la parte superior del marco de la ventana inferior y contra el cristal de la ventana superior.



A. Marco de la ventana inferior
B. Obturador de espuma

2. Coloque el soporte de seguridad de la ventana en la parte superior de la ventana inferior y contra el marco de la ventana superior.
3. Utilice una broca de barrena de 3/32" para perforar un orificio para comenzar a través del orificio en el soporte y en el marco de la ventana.
4. Fije el soporte de seguridad de la ventana al marco de la ventana con un tornillo de cabeza redonda #8 x 3/4" para asegurar la ventana en su lugar.



A. Marco de la ventana superior
B. Soporte de seguridad de la ventana

⚠ ADVERTENCIA



Peligro de Choque Eléctrico

Conecte a un contacto de pared de conexión a tierra de 3 terminales.

No quite la terminal de conexión a tierra.

No use un adaptador.

No use un cable eléctrico de extensión.

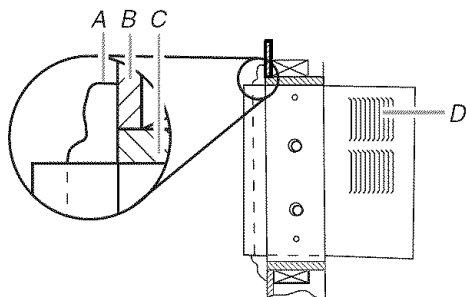
No seguir estas instrucciones puede ocasionar la muerte, incendio o choque eléctrico.

5. Conecte a un contacto de pared de conexión a tierra de 3 terminales.
6. Presione RESET (Reposición) sobre el cable de suministro de energía.

Instalación a través de la pared

Opción 1 – Moldura de madera, metal o plástico

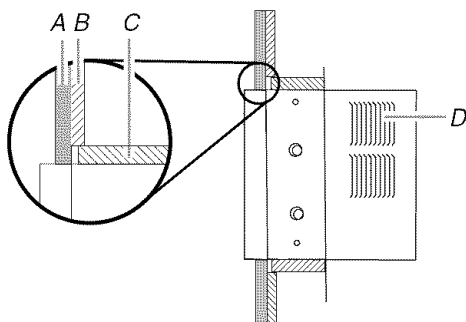
Cuando utilice una moldura de madera, metal o plástico, el marco de madera debe estar alineado con la pared interior como se muestra.



A. Moldura
B. Pared interior
C. Marco de madera
D. Rejillas

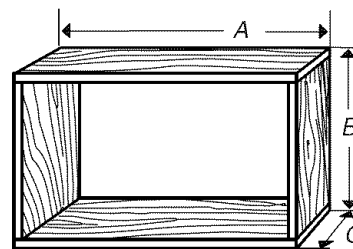
Opción 2 – Pared enyesada sin moldura

Si la pared enyesada va a nivelarse con el gabinete y no se utiliza ninguna moldura, el marco de madera debe colocarse $\frac{1}{2}$ " (13 mm) dentro de la pared interior.



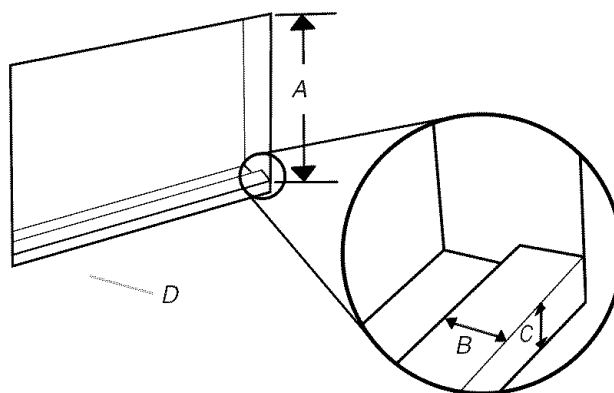
A. Pared enyesada
B. Pared interior
C. Marco de madera
D. Rejillas

- Utilice madera de 1" (2,5 cm) o más gruesa para el marco de madera.



A. Ancho exterior
B. Altura exterior
C. Profundidad

4. Aplique un sellador de madera a la superficie exterior expuesta.
5. Inserte el marco en la abertura en la pared. Cuadre y nivele el marco.
6. Sujete con firmeza el marco a la pared.
7. Coloque una banda de madera de $\frac{3}{4}$ " (2 cm) de espesor por 2" (5 cm) de ancho en la base de la abertura contra el borde interior.



A. 17 1/4" (43,8 cm)
B. 2" (5 cm) de ancho
C. 3/4" (2 cm) de espesor
D. Lado interno de la abertura de la pared

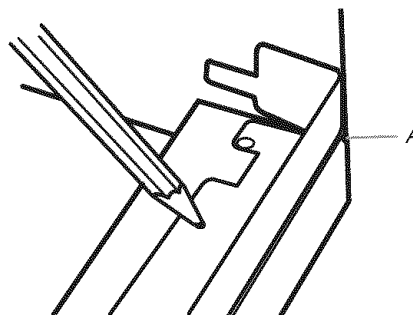
Instale el marco de madera

1. Construya el marco de madera. Vea "Requisitos de ubicación" para las dimensiones.
2. Mida el ancho y la altura exteriores del marco para determinar las dimensiones de la abertura de la pared.
3. Corte una abertura a través de la pared. Quite y guarde el aislamiento.

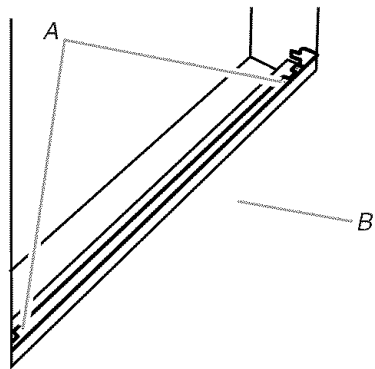
NOTAS:

- Las dimensiones de la profundidad dependen del espesor de la pared y del tipo de moldura.
- No bloquee las rejillas que están en el gabinete del acondicionador de aire.

8. Centre la parte posterior de la bandeja en la abertura y alinéela con el borde interno de la abertura. Usando los 2 tornillos interiores en la parte posterior de la bandeja, marque las ubicaciones de los tornillos para ensamblar la bandeja SMART-MOUNT®.



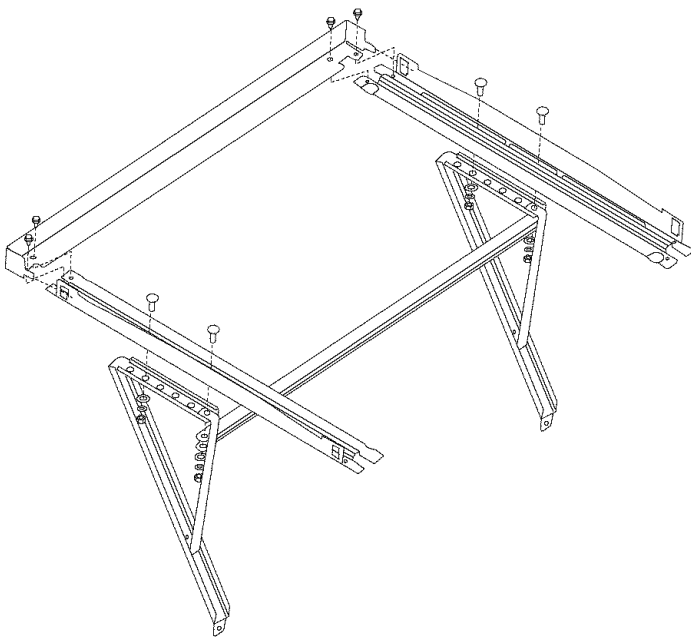
A. Alinear con la pared interior



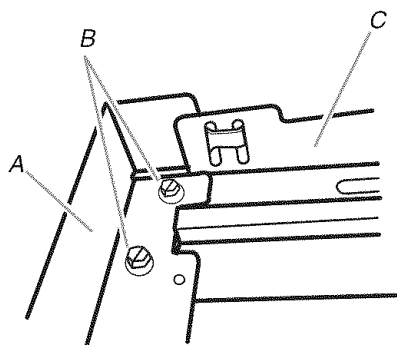
A. Orificios de los tornillos interiores
B. Lado interno de la abertura de la pared

9. Saque la barra posterior de la bandeja. Usando estas marcas, taladre orificios piloto de $\frac{3}{32}$ " de aproximadamente $1\frac{1}{2}$ " (3,8 cm) de profundidad.

Ensamblaje de la bandeja SMART-MOUNT®



1. Para ensamblar el marco de la bandeja, inserte la lengüeta de la barra posterior de la bandeja dentro de la ranura lateral de la bandeja. Verifique que la lengüeta esté insertada y que las 2 piezas estén alineadas. Coloque 2 tornillos de cabeza hexagonal #8 - 18 x $\frac{1}{4}$ " para asegurarla.
2. Repita el procedimiento para la otra barra lateral de la bandeja.

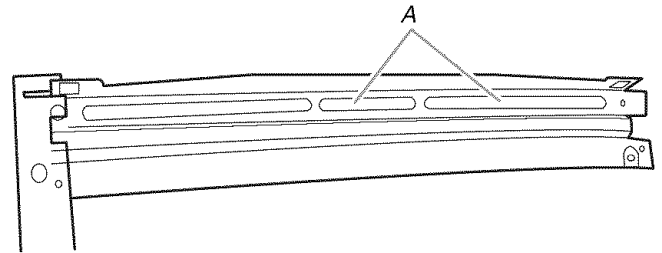


A. Barra posterior de la bandeja
B. Tornillos de cabeza hexagonal #8 - 18 x $\frac{1}{4}$ "
C. Barra lateral de la bandeja

Fije las patas de soporte

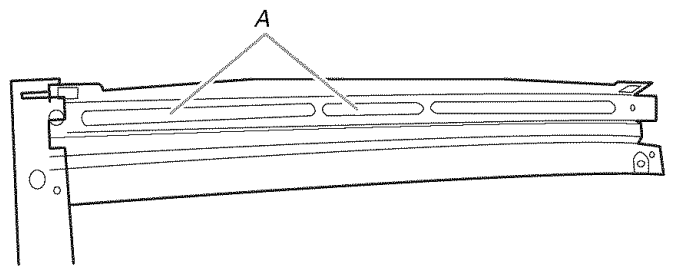
1. Determine las ranuras correctas de la barra lateral de la bandeja basándose en el tipo de construcción exterior del edificio.

Construcción de pared delgada (vinilo, madera, etc.)



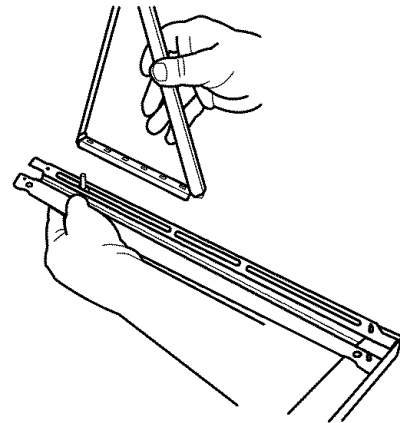
A. Primera y segunda ranura

Construcción gruesa de la pared (ladrillos)

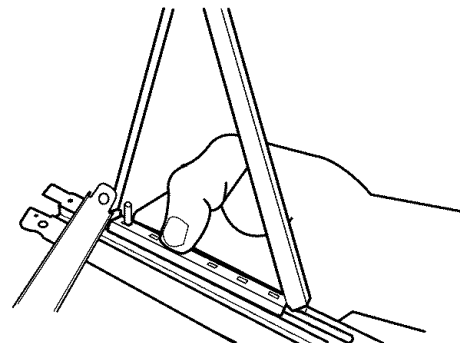


A. Segunda y tercera ranura

2. Empuje el perno de carruaje hacia arriba en la ranura del lado del marco de la bandeja y la pata de soporte.

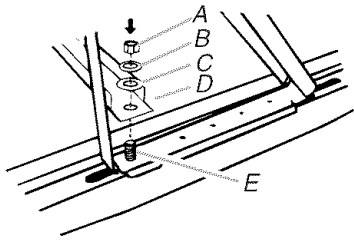


3. Coloque un extremo de la barra central de la bandeja sobre el perno de carruaje.



- Luego coloque la arandela plana, la arandela de presión y la tuerca hexagonal.

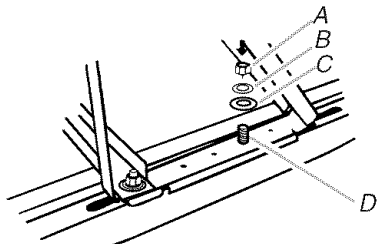
NOTA: No las apriete. La pata se debe mover libremente para poder ajustar el ángulo después de que esté instalada.



- | | |
|------------------------|--------------------------------|
| A. Tuerca hexagonal | D. Barra central de la bandeja |
| B. Arandela de presión | E. Perno de carruaje |
| C. Arandela plana | |

- Inserte el segundo perno de carruaje en la barra lateral del marco de la bandeja y ajuste el otro extremo de la pata de soporte.

NOTA: No las apriete. La pata se debe mover libremente para poder ajustar el ángulo después de que esté instalada.

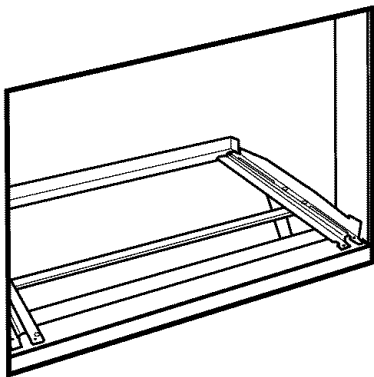


- | | |
|------------------------|----------------------|
| A. Tuerca hexagonal | C. Arandela plana |
| B. Arandela de presión | D. Perno de carruaje |

- Instale la pata de soporte en el otro lado.

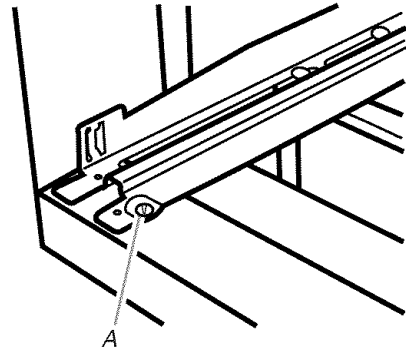
Instale la bandeja de ensamblaje SMART-MOUNT® en la abertura de la pared

- Desde adentro, coloque la bandeja SMART-MOUNT®, con las patas de soporte mirando hacia abajo, en la abertura de la ventana. Haga coincidir los orificios laterales de la bandeja con los orificios previamente taladrados en la abertura de la ventana.



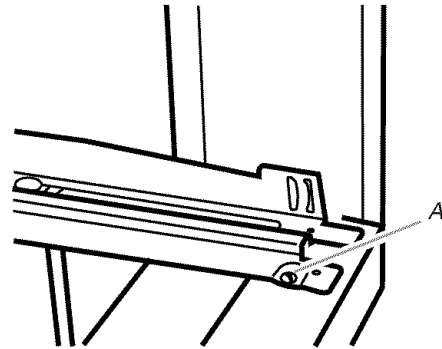
- Usando 2 tornillos para madera de cabeza ranurada #10 - 12 x 1 1/2", asegure el ensamblaje de la bandeja con el marco a la abertura de la pared.

Lado izquierdo



A. Tornillo para madera de cabeza ranurada #10 - 12 x 1 1/2"

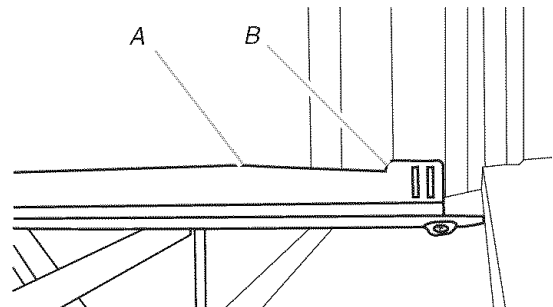
Lado derecho



A. Tornillo para madera de cabeza ranurada #10 - 12 x 1 1/2"

NOTA: Si el exterior del edificio se puede dañar con las patas de soporte, coloque una tabla entre la pared y las patas de soporte.

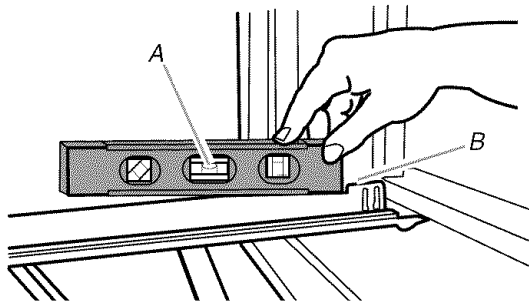
- Con el centro de la bandeja lejos del marco de la ventana, coloque un nivel en el extremo con ángulo sobre el lado de la bandeja. Asegúrese de que el nivel esté contra la ranura del lado de la bandeja.



A. Extremo con ángulo sobre el lado de la bandeja
B. Ranura

- Ajuste la bandeja SMART-MOUNT® hasta que la burbuja indique que el extremo con ángulo sobre el lado de la bandeja está nivelado.

IMPORTANTE: La bandeja debe estar inclinada levemente hacia abajo y hacia fuera para que el acondicionador de aire desagüe adecuadamente.



A. La burbuja indica que el extremo con ángulo sobre el lado de la bandeja está nivelado

B. Coloque el nivel en el extremo con ángulo contra la ranura en el lado de la bandeja

- Ajuste la tuerca hexagonal sólo lo suficiente para mantener el centro de la bandeja en su lugar.
- Repita el procedimiento con el otro lado.
- Ajuste con seguridad las tuercas hexagonales con una llave para tuercas de 7/16".

Colocación del acondicionador de aire para la instalación a través de la pared

- Trate el acondicionador de aire con cuidado.
- Asegúrese de que el acondicionador de aire no se caiga de la abertura durante la instalación o al quitarlo.
- No bloquee las rejillas que están en el panel delantero.
- No bloquee las rejillas que están en el exterior del acondicionador de aire.

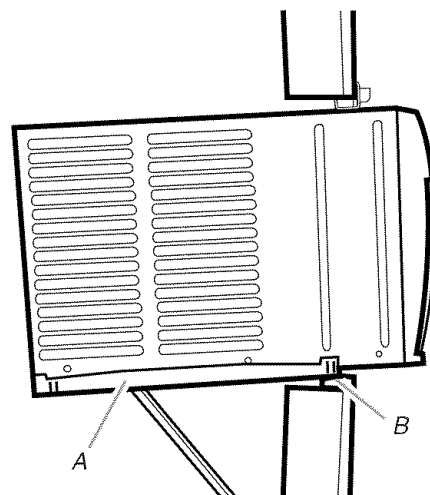
⚠ ADVERTENCIA

Peligro de Peso Excesivo

Use dos o más personas para mover e instalar el acondicionador de aire.

No seguir esta instrucción puede ocasionar una lesión en la espalda u otro tipo de lesiones.

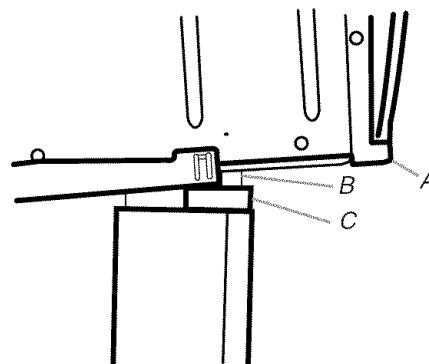
- Coloque el acondicionador de aire en la bandeja SMART-MOUNT®. Verifique que las patas del acondicionador de aire descansen sobre la banda de madera de 3/4" (1,9 cm) x 2" (5 cm) en la base de la abertura de la ventana y que la ranura superior descansa contra la parte superior de la abertura de la ventana.



A. Bandeja SMART-MOUNT®

B. Patas de la base del acondicionador de aire descansando sobre la banda de madera

- Si las patas de la base del acondicionador de aire no descansan sobre la banda de madera, saque el acondicionador de aire y ajuste la bandeja SMART-MOUNT® hasta que las patas descansen sobre la banda de madera.



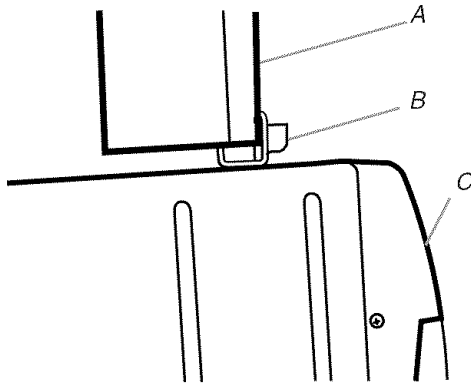
A. Acondicionador de aire

B. Patas sobre la base del acondicionador de aire

C. Banda de madera de 3/4" (1,9 cm) x 2" (5 cm)

- Si el canal superior no descansa contra la parte superior de la abertura de la pared, saque el acondicionador de aire y ajuste la bandeja SMART-MOUNT® hasta que el canal superior descansa contra la pared.

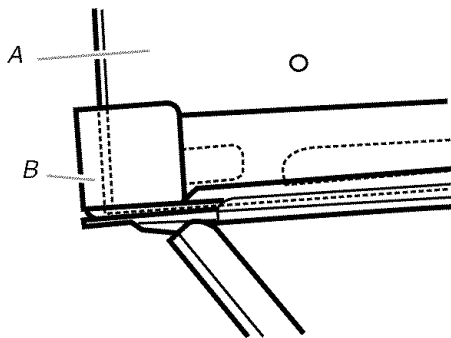
IMPORTANTE: La bandeja debe estar inclinada levemente hacia abajo y hacia fuera para que el acondicionador de aire desagüe adecuadamente.



A. Parte superior de la abertura de la pared
B. Ranura superior
C. Acondicionador de aire

- Si la base del acondicionador de aire no encaja contra la parte inferior de la bandeja SMART-MOUNT®, saque el acondicionador de aire y ajuste el ángulo de la bandeja hasta que el acondicionador de aire encaja contra la parte inferior de la bandeja.

IMPORTANTE: La bandeja debe estar inclinada levemente hacia abajo y hacia fuera para que el acondicionador de aire desagüe adecuadamente.



A. Acondicionador de aire encajado en la bandeja SMART-MOUNT®
B. Bandeja SMART-MOUNT®

- Instale los tornillos a través de la ranura superior para asegurar el acondicionador de aire en la abertura de la pared.

Complete la instalación

- Selle y corte alrededor del acondicionador de aire en el interior y en el exterior.

NOTA: Permita que se pueda sacar el acondicionador de aire posteriormente para el mantenimiento anual de rutina.

⚠ ADVERTENCIA



Peligro de Choque Eléctrico

Conecte a un contacto de pared de conexión a tierra de 3 terminales.

No quite la terminal de conexión a tierra.

No use un adaptador.

No use un cable eléctrico de extensión.

No seguir estas instrucciones puede ocasionar la muerte, incendio o choque eléctrico.

- Conecte a un contacto de pared de conexión a tierra de 3 terminales.
- Presione RESET (Reposición) sobre el cable de suministro de energía.

CÓMO USAR SU ACONDICIONADOR DE AIRE

Operar debidamente su acondicionador de aire le permite obtener los mejores resultados posibles.

Esta sección le explica cómo operar su acondicionador de aire debidamente.

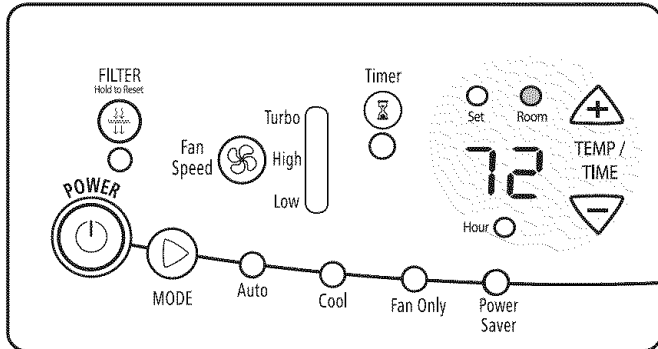
IMPORTANTE:

- Si usted apaga el acondicionador de aire, espere por lo menos 3 minutos antes de volver a ponerlo en marcha. Esto evitará que se queme un fusible o se dispare un disyuntor de circuito a causa del acondicionador de aire.

- No trate de operar su acondicionador de aire en el modo de enfriamiento cuando la temperatura exterior sea menor de 65°F (18°C). El serpentín interior del evaporador se congelará y el acondicionador de aire no funcionará debidamente.

NOTA: En caso de un corte de corriente, cuando vuelva el suministro de energía su acondicionador de aire funcionará en los ajustes previos al corte de corriente.

Cómo poner en marcha su acondicionador de aire—Control digital



NOTAS:

- Cuando esté apagado el acondicionador de aire, la luz indicadora Room (habitación) se enciende y la pantalla muestra la temperatura actual de la habitación.
 - Si la temperatura de la habitación es menor de 55°F (13°C), la pantalla mostrará 55°F (13°C). Si la temperatura de la habitación es mayor de 99°F (37°C), la pantalla mostrará 99°F (37°C).
 - Cuando se encienda la luz indicadora Set (fijo), la pantalla mostrará el ajuste de control de la temperatura. Vea “Temperatura”.
 - Cuando se encienda la luz indicadora Hour (hora), la pantalla mostrará el tiempo restante en el ajuste de Timer (temporizador). Vea “Retardo del temporizador”.
1. Quite la película protectora transparente del panel de control y de la placa del panel delantero.
 2. Oprima POWER (Encendido) para encender el acondicionador de aire.



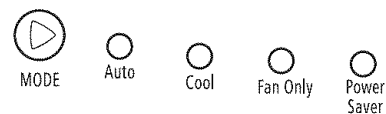
NOTA: Cuando se enciende el acondicionador de aire por primera vez después de haberlo enchufado, mostrará en la pantalla los ajustes programados: Modo Cool (Enfriamiento), velocidad de ventilación Turbo, 72°F (22°C) por 3 segundos. Cuando se encienda todas las otras veces, mostrará los ajustes previos por 3 segundos y luego mostrará la temperatura de la habitación.

3. Seleccione el modo. Vea “Mode (Modo)”.
4. Seleccione la velocidad de ventilación. Vea “Fan Speed (Velocidad de ventilación)”.
5. Fije la temperatura. Vea “Temperatura”.

Mode (Modo)

1. Oprima MODE (Modo) hasta que se encienda la luz indicadora para la posición que usted desea.
2. Seleccione Auto (Automático), Cool (Enfriamiento), Fan Only (Sólo ventilación) o Power Saver (Ahorro de energía).
 - Auto (Automático)—Enfría la sala mientras automáticamente controla la velocidad de ventilación. Usted no puede cambiar la velocidad de ventilación, pero puede ajustar la temperatura oprimiendo el botón de más o menos.
 - Cool (Enfriamiento)—Enfría la sala. Luego podrá ajustar la temperatura oprimiendo el botón de más o menos. Usted puede seleccionar la velocidad de ventilación oprimiendo FAN SPEED (Velocidad de ventilación).
 - Fan Only (Sólo ventilación)—Sólo funciona el ventilador. Puede seleccionar la velocidad del ventilador presionando FAN SPEED (velocidad de ventilador), pero no puede ajustar el control de Temperature (Temperatura). La pantalla muestra la temperatura actual de la habitación.
 - Power Saver (Ahorro de energía)—El ventilador funciona únicamente cuando se necesita enfriamiento. Usted puede seleccionar la velocidad de ventilación oprimiendo FAN SPEED (Velocidad de ventilación).

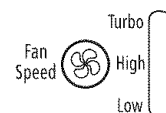
Ya que el ventilador no hace circular continuamente el aire de la habitación, se consume menos energía, pero el aire de la habitación circula con menos frecuencia. Utilice el modo de Power Saver cuando esté fuera del hogar o durmiendo.



Fan Speed (Velocidad de ventilación)

NOTA: El botón Fan Speed (Velocidad de ventilación) funcionará únicamente cuando se ha seleccionado el modo de Cool (Enfriamiento), Fan Only (Sólo ventilación) o Power Saver (Ahorro de energía).

1. Oprima FAN SPEED hasta que se encienda la luz indicadora para la posición que usted desea.
2. Seleccione Turbo, High (Alta) o Low (Baja).



Monitor del filtro

1. Cuando la luz indicadora Filter (filtro) se encienda o destelle, saque, limpie y reemplace el filtro. Vea "Limpieza del filtro de aire".
2. Presione y sostenga FILTER (filtro) por 3 segundos después de limpiar y reemplazar el filtro de aire. Esto vuelve a fijar el monitor del filtro.

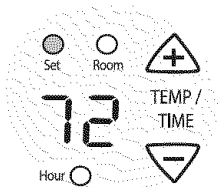


NOTA: Después de que el ventilador funcione por 360 horas, la luz indicadora del filtro se encenderá. Permanecerá encendida por 180 horas o hasta que usted presione FILTER (filtro). Después de 180 horas, destellará. Continuará destellando hasta que usted presione FILTER (filtro).

Temperatura

- Presione el botón de más para aumentar la temperatura. La luz indicadora Room (habitación) se apagará y se encenderá la luz indicadora Set (fijo). La pantalla muestra el ajuste de control Temperature (temperatura). Cada vez que usted presione o sostenga el botón de más, la temperatura aumentará de a 1° hasta llegar a 86°F (30°C).

NOTA: Después de 3 segundos, la luz indicadora Set se apagará y se encenderá la luz indicadora Room. La pantalla mostrará la temperatura actual de la habitación.



- Presione el botón de menos para disminuir la temperatura. La luz indicadora Room (habitación) se apagará y se encenderá la luz indicadora Set (fijo). La pantalla muestra el ajuste de control Temperature (temperatura). Cada vez que presione o sostenga el botón de menos, la temperatura disminuirá de a 1° hasta llegar a 64°F (18°C).

NOTA: Después de 3 segundos, la luz indicadora Set se apagará y se encenderá la luz indicadora Room. La pantalla mostrará la temperatura actual de la habitación.

Para cambiar la pantalla de la temperatura de °F a °C:

1. Apague el acondicionador de aire.
2. Mientras el acondicionador de aire está apagado, presione y sostenga los botones de MODE (Modo) y FAN SPEED (Velocidad de ventilación) a la vez que presiona POWER para encender el acondicionador de aire.

NOTA: Siga estos mismos pasos para cambiar la pantalla de la temperatura de °C a °F.

Retardo del temporizador

Para programar el temporizador para un retardo de 1 a 24 horas hasta que el acondicionador de aire se apague (el acondicionador de aire tiene que estar Encendido):

1. Oprima TIMER (Temporizador). La luz indicadora Temporizador destellará. La luz indicadora Hour (hora) se encenderá y la pantalla mostrará las horas restantes antes de que se apague el acondicionador de aire.



2. Oprima el botón de más o de menos para cambiar el tiempo de retardo (de 1 a 24 horas).
3. Oprima TIMER nuevamente o espere 10 segundos. La luz indicadora Temporizador permanecerá encendida. La luz indicadora Hour se apagará y se encenderá la luz indicadora Room. La pantalla mostrará la temperatura actual de la habitación.

Para programar el temporizador de manera que el acondicionador de aire se encienda manteniendo los ajustes previos:

1. Apague el acondicionador de aire.
2. Oprima TIMER. La luz indicadora Temporizador destellará. La luz indicadora Hour (hora) se encenderá y la pantalla mostrará las horas restantes antes de que se encienda el acondicionador de aire.
3. Oprima el botón de más o menos para cambiar el tiempo de retardo (de 1 a 24 horas).
4. Oprima TIMER nuevamente o espere 10 segundos. La luz indicadora Temporizador permanecerá encendida. La luz indicadora Hour se apagará y se encenderá la luz indicadora Room. La pantalla mostrará la temperatura actual de la habitación.

Para programar el temporizador de manera que el acondicionador de aire se encienda cambiando los ajustes previos:

1. Encienda el acondicionador de aire.
2. Ajuste el Modo a Auto, Cool, Fan Only o Power Saver.
NOTA: Para el modo Auto (automático), vaya al paso 4.
3. Para el modo Cool (enfriamiento), Fan Only (Sólo ventilación) o Power Saver (ahorro de energía), ajuste FAN SPEED (velocidad de ventilación) a Turbo, High (alta) o Low (baja).
4. Ajuste la temperatura entre 64°F (18°C) y 86°F (30°C).
5. Espere 3 segundos antes de apagar el acondicionador de aire.
6. Oprima TIMER. La luz indicadora Temporizador destellará. La luz indicadora Hour (hora) se encenderá y la pantalla mostrará las horas restantes antes de que se encienda el acondicionador de aire.
7. Oprima el botón de más o menos para cambiar el tiempo de retardo (de 1 a 24 horas).
8. Oprima TIMER nuevamente o espere 10 segundos. La luz indicadora Temporizador permanecerá encendida. La luz indicadora Hour se apagará y se encenderá la luz indicadora Room. La pantalla mostrará la temperatura actual de la habitación.

Para borrar la programación del tiempo de retardo del temporizador:

NOTA: El acondicionador de aire puede estar encendido o apagado.

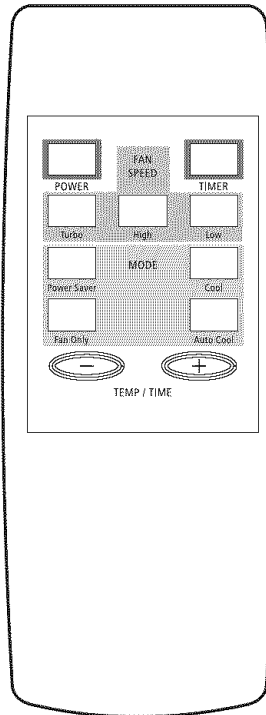
Presione y sostenga TIMER por 3 segundos. La luz indicadora Temporizador se apagará.

Para ver o cambiar el tiempo restante (en horas):

1. Oprima TIMER una vez después de que haya sido programado. La luz indicadora Hour (hora) se encenderá y la pantalla mostrará las horas restantes.
2. Mientras la pantalla muestra el tiempo restante, usted puede oprimir el botón de más o menos para aumentar o disminuir el tiempo.
3. Después de 10 segundos, la luz indicadora Hour se apagará y se encenderá la luz indicadora Room. La pantalla mostrará la temperatura actual de la habitación.

Para poner en marcha el acondicionador de aire con el control remoto

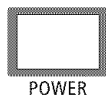
NOTA: La apariencia del control remoto puede variar.



NOTA: El control remoto se alimenta con dos pilas AA (no incluidas). Cambie las pilas después de 6 meses de uso o cuando el control remoto comienza a perder fuerza.

Para encender o apagar el acondicionador de aire:

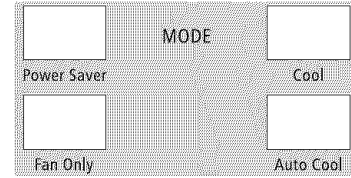
Presione POWER (Energía).



Para seleccionar el modo:

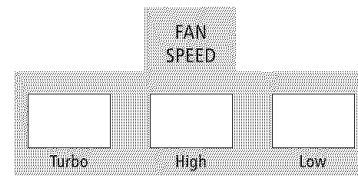
Oprima AUTO COOL (Enfriamiento automático), COOL (Enfriamiento), FAN ONLY (Sólo ventilación) o POWER SAVER (Ahorro de energía).

- Auto Cool (Enfriamiento automático)—la velocidad de ventilación se ajusta automáticamente.
- Cool (Enfriamiento), Fan Only (Sólo ventilación) o Power Saver (Ahorro de energía)—usted puede ajustar la velocidad de ventilación.



Para seleccionar la velocidad de ventilación (solamente en el modo de Cool, Fan Only o Power Saver):

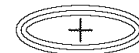
Oprima TURBO, HIGH (Alta) or LOW (Baja).



Para subir la temperatura:

Presione el botón de más. La luz indicadora Room (habitación) en el acondicionador de aire se apagará y se encenderá la luz indicadora Set (fijo) en el acondicionador de aire. La pantalla en el acondicionador de aire muestra el ajuste de control Temperature (temperatura). Cada vez que usted oprime o sostiene el botón de más, la temperatura aumentará de a 1° hasta alcanzar los 86°F (30°C).

NOTA: Después de 3 segundos, la luz indicadora Set en el acondicionador de aire se apagará y se encenderá la luz indicadora Room. La pantalla en el acondicionador de aire mostrará la temperatura actual de la habitación.



Para bajar la temperatura:

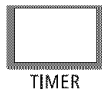
Presione el botón de menos. La luz indicadora Room (habitación) en el acondicionador de aire se apagará y se encenderá la luz indicadora Set (fijo) en el acondicionador de aire. La pantalla en el acondicionador de aire muestra el ajuste de control Temperature (temperatura). Cada vez que usted oprime o sostiene el botón de menos, la temperatura baja de a 1° hasta alcanzar los 64°F (18°C).

NOTA: Después de 3 segundos, la luz indicadora Set en el acondicionador de aire se apagará y se encenderá la luz indicadora Room. La pantalla en el acondicionador de aire mostrará la temperatura actual de la habitación.



Para programar el temporizador para un retardo de 1 a 24 horas hasta que el acondicionador de aire se apague (el acondicionador de aire tiene que estar Encendido):

1. Oprima TIMER. La luz indicadora Temporizador en el acondicionador de aire destellará. La luz indicadora Hour (hora) en el acondicionador se encenderá y la pantalla en el acondicionador mostrará las horas restantes antes de que se apague el acondicionador de aire.



2. Oprima el botón de más o menos para cambiar el tiempo de retardo (de 1 a 24 horas).
3. Oprima TIMER nuevamente o espere 10 segundos. La luz indicadora Temporizador en el acondicionador de aire permanecerá encendida. La luz indicadora Hour en el acondicionador de aire se apagará y se encenderá la luz indicadora Room. La pantalla en el acondicionador de aire mostrará la temperatura actual de la habitación.

Para programar el temporizador de manera que el acondicionador de aire se encienda manteniendo los ajustes previos:

1. Apague el acondicionador de aire.
2. Oprima TIMER. La luz indicadora Temporizador en el acondicionador de aire destellará. La luz indicadora Hour (hora) en el acondicionador se encenderá y la pantalla en el acondicionador mostrará las horas restantes antes de que se apague el acondicionador de aire.
3. Presione el botón de más o menos para cambiar el tiempo de retardo (de 1 a 24 horas).

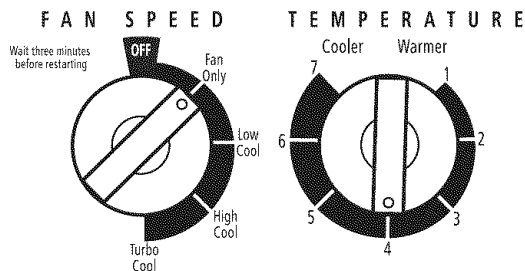
4. Oprima TIMER nuevamente o espere 10 segundos. La luz indicadora Temporizador en el acondicionador de aire permanecerá encendida. La luz indicadora Hour en el acondicionador de aire se apagará y se encenderá la luz indicadora Room. La pantalla en el acondicionador de aire mostrará la temperatura actual de la habitación.

Para programar el temporizador de manera que el acondicionador de aire se encienda cambiando los ajustes previos:

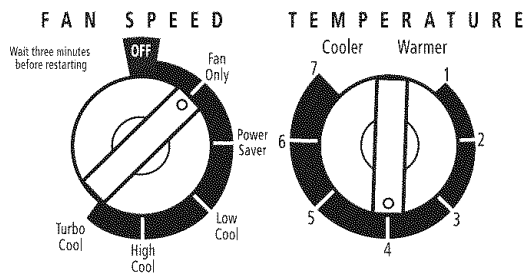
1. Encienda el acondicionador de aire.
2. Ajuste el Modo a Auto Cool, Cool, Fan Only o Power Saver.
NOTA: Para el modo Auto (automático), vaya al paso 4.
3. Para el modo Cool (fresco), Fan Only (Sólo ventilación) o Power Saver (ahorro de energía), ajuste Fan Speed (velocidad de ventilación) a Turbo, High (alta) o Low (baja).
4. Ajuste la temperatura entre 64°F (18°C) y 86°F (30°C).
5. Espere 3 segundos antes de apagar el acondicionador de aire.
6. Oprima TIMER. La luz indicadora Temporizador en el acondicionador de aire destellará. La luz indicadora Hour (hora) en el acondicionador de aire se encenderá y la pantalla en el acondicionador de aire mostrará las horas restantes antes de que se encienda el acondicionador de aire.
7. Oprima el botón de más o menos para cambiar el tiempo de retardo (de 1 a 24 horas).
8. Oprima TIMER nuevamente o espere 10 segundos. La luz indicadora Temporizador en el acondicionador de aire permanecerá encendida. La luz indicadora Hour en el acondicionador de aire se apagará y se encenderá la luz indicadora Room. La pantalla en el acondicionador de aire mostrará la temperatura actual de la habitación.

Cómo poner en marcha su acondicionador de aire—Control rotativo

Modelos sin ahorro de energía



Modelos con ahorro de energía



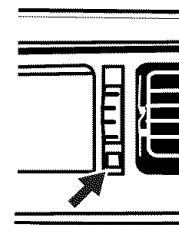
1. Quite la película protectora transparente de la placa del panel delantero (en algunos modelos).
2. Coloque el control de respiradero. Vea “Control de respiradero (en algunos modelos)”.

3. Seleccione la velocidad de ventilación. Vea “Fan Speed (Velocidad de ventilación)”.
4. Seleccione la temperatura. Vea “Temperatura”.

Control de respiradero (en algunos modelos)

Coloque el control de respiradero en la posición CERRADA para un enfriamiento máximo continuo. Jale el control de respiradero hacia la posición ABIERTO para hacer escapar el aire viciado/humoso de la sala.

- Abierto—Jale para hacer salir el aire de la sala al exterior
- Cerrado—Empuje para que circule el aire en la sala



NOTA: El control de respiradero funciona únicamente cuando el control de velocidad de ventilación está funcionando.

Fan Speed (Velocidad de ventilación)

Ponga el control de FAN SPEED (Velocidad de ventilación) en la posición que desee. Cuando el acondicionador de aire está funcionando a temperaturas Low Cool (Poco fría), High Cool (Muy fría) o Turbo Cool (Máximo nivel de frío), el ventilador hace circular el aire continuamente.

- Turbo Cool (Máximo nivel de frío)—para enfriamiento máximo
- High Cool (Muy fría)—para enfriamiento normal
- Low Cool (Poco fría)—para dormir cómodo
- Fan Only (Sólo ventilación)—para que el aire circule continuamente sin enfriarse

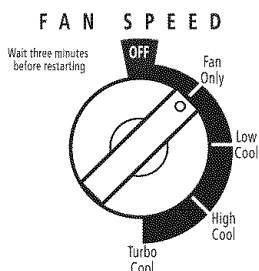
NOTA: El ventilador funciona en velocidad Turbo solamente.

- Power Saver (Ahorro de energía) (en algunos modelos)—el ventilador funciona solamente cuando sea necesario enfriar.

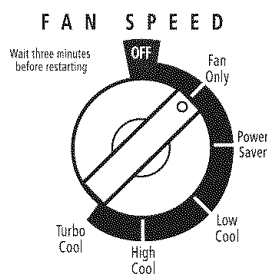
Ya que el ventilador no hace circular continuamente el aire de la habitación, se consume menos energía, pero el aire de la habitación circula con menos frecuencia. Utilice el modo de Power Saver cuando esté fuera del hogar o durmiendo.

NOTA: El ventilador funciona en velocidad Low (Baja) solamente.

Modelos sin ahorro de energía

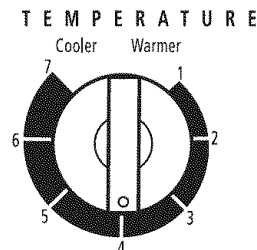


Modelos con ahorro de energía



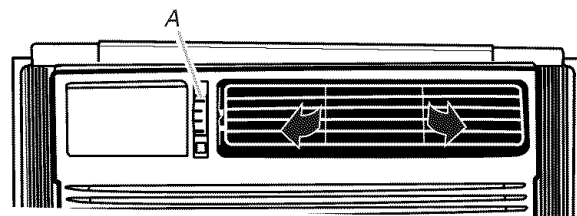
Temperatura

Gire el control de TEMPERATURE (Temperatura) a un ajuste medio. Ajuste el funcionamiento del acondicionador de aire girando el control de temperatura hacia la derecha para un enfriamiento máximo. Para un menor enfriamiento, gire el control de TEMPERATURE hacia la izquierda. Experimente y busque el ajuste que más le convenga.

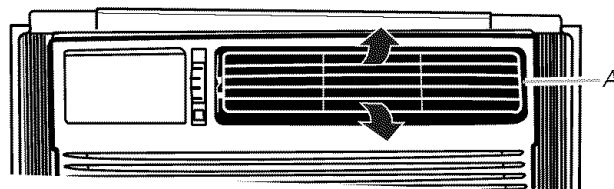


Cómo cambiar la dirección del aire

Gire la rueda para dirigir el aire hacia la derecha o hacia la izquierda. Gire el cartucho completamente para dirigir el aire hacia arriba, hacia abajo o directamente hacia adelante.



A. Rueda



A. Cartucho

Sonidos normales

Cuando el acondicionador de aire está funcionando normalmente, usted podrá escuchar sonidos como:

- Gotas de agua que caen sobre el condensador, produciendo tintineos o chasquidos. Las gotas de agua ayudan a enfriar el condensador.
- El movimiento del aire que sale del ventilador.
- Chasquidos del ciclo del termostato.
- Vibraciones o ruidos debidos a deficiencias en la construcción de la pared o ventana.
- Un zumbido agudo o un ruido pulsante producido por la alternación de los ciclos del moderno compresor de alta eficiencia.

CÓMO CUIDAR SU ACONDICIONADOR DE AIRE

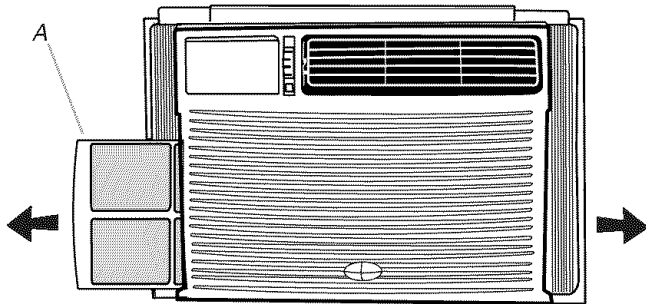
Su nuevo acondicionador de aire está diseñado para darle muchos años de servicio confiable. Esta sección le da la información acerca de la limpieza adecuada y el cuidado de su acondicionador de aire. Llame al vendedor autorizado de su localidad para un chequeo anual. Acuérdesese...el precio de esta llamada de servicio es su responsabilidad.

Limpieza del filtro de aire

El filtro de aire puede quitarse para una limpieza fácil. Un filtro limpio ayuda a quitar el polvo, las pelusas y otras partículas del aire, y es importante para que el aparato enfríe más eficientemente. Revise el filtro cada dos semanas para ver si necesita limpieza.

NOTA: No haga funcionar el acondicionador de aire si el filtro no está colocado en su lugar.

1. Apague el acondicionador de aire.
2. Para quitar el filtro, deslice el filtro de aire hacia afuera desde cualquiera de los lados de la unidad.



A. El filtro puede quitarse de cualquiera de los lados.

3. Limpie el filtro de aire usando una aspiradora. Si está muy sucio, lave el filtro de aire con agua tibia y un detergente suave. No lave el filtro de aire en la lavavajillas ni use limpiadores químicos. Seque bien el filtro al aire antes de colocarlo nuevamente para asegurarse la máxima eficiencia.
4. Vuelva a colocar el filtro de aire deslizando nuevamente en cualquiera de los lados de la unidad.

Limpieza del panel delantero

1. Apague el acondicionador de aire.
2. Quite el filtro de aire y límpiolo por separado. Vea "Limpieza del filtro de aire".
3. Limpie el panel delantero con un paño suave y húmedo.
4. Seque el panel delantero al aire completamente.

Reparación de la pintura dañada

Revise una o dos veces al año si hay daños en la pintura. Esto es muy importante, especialmente en lugares que están cerca de los océanos o donde la herrumbre es un problema. Si es necesario, retoque con un esmalte de buena calidad.

NOTA: Para reducir el daño a la pintura durante el invierno, instale una cubierta resistente sobre el gabinete del acondicionador de aire. Para información sobre cómo pedir una cubierta resistente, vea "Accesorios".

Mantenimiento anual

Su acondicionador de aire necesita mantenimiento anual para ayudar a asegurar un rendimiento constante de la mejor calidad durante todo el año. Llame al vendedor autorizado de su localidad para hacer una cita para el chequeo anual. El precio del chequeo anual es su responsabilidad.

SOLUCIÓN DE PROBLEMAS

Antes de solicitar servicio, pruebe las sugerencias que se incluyen a continuación para ver si puede resolver el problema sin ayuda.

Su acondicionador de aire no funciona

⚠ ADVERTENCIA



Peligro de Choque Eléctrico

Conecte a un contacto de pared de conexión a tierra de 3 terminales.

No quite la terminal de conexión a tierra.

No use un adaptador.

No use un cable eléctrico de extensión.

No seguir estas instrucciones puede ocasionar la muerte, incendio o choque eléctrico.

- **El cable de suministro de energía está desconectado.** Conecte a un contacto de pared de conexión a tierra de 3 terminales. Vea "Requisitos eléctricos".
- **Se está usando un fusible de retardo o un disyuntor con la capacidad incorrecta.** Reemplácelo con un fusible de retardo o un disyuntor con la capacidad correcta. Vea "Requisitos eléctricos".
- **El cable de suministro de energía se trabó (el botón de reposición saltó).** Presione y suelte RESET (escuche el chasquido, el botón de reposición queda asegurado y se mantiene asegurado) para reanudar el funcionamiento.
- **Se ha fundido un fusible de la casa o disparado un disyuntor.** Reemplace el fusible o reposicione el disyuntor. Si el problema continúa, llame a un electricista. Vea "Requisitos eléctricos".
- **Dependiendo del modelo, no se ha presionado el botón de Power (Encendido) o el control de Fan Speed (Velocidad de ventilación) se ha fijado en la posición de apagado.** Presione el botón de POWER o gire el control de FAN SPEED hacia un ajuste activo.
- **Se ha interrumpido la energía eléctrica en su localidad.** Espere que se restablezca la energía eléctrica.

El acondicionador de aire funde los fusibles o dispara los disyuntores

- **Se están usando muchos aparatos en el mismo circuito.** Desenchufe o ponga en otro lugar los aparatos que estén usando el mismo circuito.
- **Se está usando un cable eléctrico de extensión.** No use un cable eléctrico de extensión con este ni cualquier otro aparato.
- **Usted está tratando de volver a poner en marcha el acondicionador de aire muy poco tiempo después de apagarlo.** Espere por lo menos 3 minutos antes de poner en marcha el acondicionador de aire después de apagarlo.

El cable de suministro de energía del acondicionador de aire se traba (el botón de reposición salta)

- **Las interrupciones en la corriente eléctrica de su casa pueden hacer trabar (el botón de reposición salta) el cable de suministro de energía.** Presione y libere RESET (Reposición) (escuche el chasquido, el botón de reposición queda asegurado y se mantiene asegurado) para reanudar el funcionamiento.
- **Una sobrecarga eléctrica, el recalentamiento, los pellizcos y el envejecimiento pueden hacer que se trabe (el botón de reposición salta) el cable de suministro de energía.** Luego de corregir el problema, presione y libere RESET (Reposición) (escuche el chasquido, el botón de reposición queda asegurado y se mantiene asegurado) para reanudar el funcionamiento.

NOTA: Un cable de suministro de energía dañado debe ser reemplazado por un nuevo cable de suministro de energía obtenido del fabricante del producto y no debe ser reparado.

Parece que el acondicionador de aire funciona excesivamente

- **Su actual acondicionador de aire reemplazó un modelo viejo.** El uso de componentes más eficientes puede hacer que el acondicionador de aire funcione por más tiempo que su antiguo modelo, pero el consumo total de energía será menor. Los acondicionadores de aire más nuevos no emiten las “ráfagas” de aire frío a las que usted estaba acostumbrado con sus unidades anteriores, pero esto no es indicio de menor capacidad o eficiencia en el enfriamiento. Verifique el régimen de eficiencia (EER) y el régimen de capacidad (en Btu/h) que se indican en el acondicionador de aire.
- **El acondicionador de aire está en una habitación muy congestionada o se están usando en la misma habitación aparatos que generan calor.** Use ventiladores aspiradores cuando esté cocinando o bañándose y trate de no usar aparatos que generan calor durante las horas más calurosas del día. Podría necesitar un acondicionador de aire con más capacidad, dependiendo del tamaño de la habitación que se desea enfriar.

El acondicionador de aire se enciende y se apaga demasiado o no enfría la habitación

- **El control de Mode está puesto en Power Saver (Ahorro de energía) (en algunos modelos).** Utilice el modo de ahorro de energía únicamente cuando esté fuera de su hogar o durmiendo, debido a que el ventilador no hace circular el aire de la sala continuamente. Para mayor comodidad use Low, High o Turbo.

- **El acondicionador de aire no tiene el tamaño adecuado para su habitación.** Verifique la capacidad de enfriamiento de su acondicionador de aire para habitación. Los acondicionadores de aire para habitaciones no están diseñados para enfriar varias habitaciones.
- **El filtro está sucio u obstruido por desechos.** Limpie el filtro.
- **El evaporador interno y los serpentines del condensador externo están sucios u obstruidos por desechos.** Vea “Mantenimiento Anual”.
- **Hay demasiado calor o humedad (se está cocinando en recipientes abiertos, duchas, etc.) en la habitación.** Use un ventilador para eliminar el calor o la humedad de la habitación. Trate de no usar aparatos que generan calor durante las horas más calurosas del día.
- **Las rejillas están bloqueadas.** Instale el acondicionador de aire en un lugar donde las rejillas no estén bloqueadas por cortinas, persianas, muebles, etc.
- **La temperatura exterior es inferior a los 65°F (18°C).** No trate de poner en marcha el acondicionador de aire en el modo de enfriamiento cuando la temperatura exterior sea inferior a los 65°F (18°C).
- **La temperatura de la habitación que está tratando de enfriar está demasiado caliente.** Deje pasar más tiempo para que el acondicionador de aire enfríe una habitación muy caliente.
- **Están abiertas ventanas o puertas que dan al exterior.** Cierre todas las puertas y ventanas.
- **El control de respiradero está en ABIERTO (en algunos modelos).** Jale el control de respiradero en la posición CERRADO para un enfriamiento máximo.
- **Dependiendo del modelo, el control de Temp/Time o control de temperatura no está en una posición lo suficientemente fría.** Ajuste el Control de TEMP/TIME (Temperatura/Tiempo) a una posición más fría oprimiendo el botón de menos para reducir la temperatura o ajuste el control de temperatura a una posición más fría girando la perilla en la dirección de las manecillas del reloj. Ponga el control de velocidad de ventilación en Turbo o Turbo Cool.

La temperatura de la pantalla no coincide con la temperatura de la habitación

- **Cuando el motor del compresor y del ventilador se apague durante el modo Power Saver (Ahorro de energía) o después de que usted apague la unidad, es posible que por un período corto de tiempo se vea en la pantalla una temperatura más baja que la temperatura de la habitación.** El motivo por el cual la lectura de la temperatura es más baja es porque la resistencia térmica está ubicada cerca del serpentín del evaporador. La temperatura real de la habitación aparecerá en la pantalla en unos minutos.

Se filtra agua del gabinete a su casa

- **El acondicionador de aire no está debidamente nivelado.** El acondicionador de aire debe inclinarse ligeramente hacia abajo, hacia el exterior. Nivele el acondicionador de aire de manera que tenga una inclinación hacia abajo, hacia el exterior para asegurar el debido desagüe. Vea las Instrucciones de instalación.

NOTA: No perforo orificios en la parte inferior de la base de metal o del colector de condensado.

AYUDA O SERVICIO TÉCNICO

Antes de solicitar ayuda o servicio técnico, por favor consulte la sección "Solución de Problemas". Esto le podría ahorrar el costo de una visita de servicio técnico. Si considera que aún necesita ayuda, siga las instrucciones que aparecen a continuación.

Cuando llame, tenga a mano la fecha de compra y el número completo del modelo y de la serie de su electrodoméstico. Esta información nos ayudará a atender mejor a su pedido.

Si necesita piezas de repuesto

Si necesita pedir piezas de repuesto, recomendamos que use únicamente piezas de repuesto FSP®. Estas piezas encajarán bien y funcionarán bien ya que están confeccionadas con la misma precisión empleada en la fabricación de cada electrodoméstico nuevo de WHIRLPOOL®.

Para encontrar piezas de repuesto FSP® en su localidad, llámenos o comuníquese con el centro de servicio designado por Whirlpool más cercano a su localidad.

En los EE.UU.

Llame al Centro para la eXperiencia del cliente de Whirlpool sin costo alguno al: **1-800-253-1301**.

Nuestros consultores ofrecen asistencia con respecto a:

- Características y especificaciones de nuestra línea completa de electrodomésticos.
- Información sobre instalación.
- Procedimiento para el uso y mantenimiento.
- Venta de accesorios y piezas para reparación.
- Asistencia especializada para el cliente (habla hispana, problemas de audición, visión limitada, etc.).
- Recomendaciones con distribuidores locales, compañías que dan servicio y distribuidores de partes para reparación. Los técnicos de servicio designados por Whirlpool están entrenados para cumplir con la garantía del producto y ofrecer servicio una vez que la garantía termine, en cualquier lugar de los Estados Unidos.

Para localizar a una compañía de servicio designada por Whirlpool en su área, también puede consultar la sección amarilla de su guía telefónica.

Para obtener más asistencia

Si necesita asistencia adicional, puede escribir a Whirlpool Corporation con sus preguntas o dudas a:

Whirlpool Brand Home Appliances
Customer eXperience Center
553 Benson Road
Benton Harbor, MI 49022-2692

Favor de incluir un número telefónico de día en su correspondencia.

Por favor anote la información sobre su modelo.

Siempre que llame para solicitar servicio del aparato, necesitará saber el número del modelo y el número de serie completos. Esta información la encuentra en la placa de número del modelo y número de serie. Vea la ubicación del número del modelo y del número de serie en "Requisitos eléctricos".

Por favor anote la información sobre el número del modelo y el número de serie en el espacio a continuación. Anote también la fecha de compra del aparato, así como el nombre, la dirección y el teléfono de la tienda.

Número de modelo _____

Número de serie _____

Fecha de compra _____

Nombre de la tienda _____

Dirección de la tienda _____

Teléfono de la tienda _____

Guarde este manual y la nota de compra juntos para referencia futura.

Accesorios

Usted puede ordenar los siguientes accesorios para su acondicionador de aire en el distribuidor autorizado de su localidad o llamando al **1-800-253-1301** desde cualquier lugar de los EE. UU.

Filtros de aire de reemplazo

Un filtro de aire limpio y de buena calidad es importante para obtener el mejor enfriamiento con el menor consumo de energía. Limpie regularmente el filtro de aire. Vea las instrucciones de limpieza en la sección "Limpieza del filtro de aire". Le recomendamos cambiar su filtro de aire una vez al año.

Para obtener un nuevo filtro electrostático de aire, pida la pieza #1187197. Las partículas transportadas por el aire son atraídas hacia un filtro electrostático y permanecen sujetas al mismo hasta que se enjuaguen. Para obtener un nuevo filtro de aire antimicrobiano, pida la pieza #1187389. Además de proporcionar todos los beneficios de un filtro de aire electrostático, un filtro de aire antimicrobiano también inhibe el crecimiento de las bacterias, hongos y moho que causan olores en el filtro. Ambos filtros de aire tienen el tamaño adecuado para encajar en su acondicionador de aire.

Cubierta resistente

Si usted decide dejar instalado su acondicionador de aire durante el invierno, una cubierta resistente ayudará a proteger su aparato y reducir las corrientes de aire. La cubierta para exteriores protege contra las corrientes de aire frío a través de los orificios de paso de aire de la unidad y protege el gabinete contra la nieve, la lluvia, el agua nieve, la oxidación y el polvo.

Para obtener una cubierta para exteriores resistente del tamaño adecuado para su acondicionador de aire, ordene la pieza #484069.

Para obtener una cubierta para interiores resistente del tamaño adecuado para su acondicionador de aire, ordene la pieza #4392941.

1188018B

© 2005 Whirlpool Corporation.
All rights reserved.

® Registered Trademark/TM Trademark of Whirlpool, U.S.A. Whirlpool Canada LP Licensee in Canada

Todos los derechos reservados. ® Marca registrada/TM Marca de comercio de Whirlpool, U.S.A., usada bajo licencia de Whirlpool Canada LP en Canadá Impreso en EE.UU.



12/05

Printed in U.S.A.