

# 27" (69 CM) ELECTRIC DRYER INSTALLATION INSTRUCTIONS

## INSTRUCCIONES DE INSTALACIÓN PARA LA SECADORA ELÉCTRICA DE 27" (69 CM)

## INSTRUCTIONS POUR L'INSTALLATION DE LA SÈCHEUSE ÉLECTRIQUE DE 27" (69 CM)

### Table of Contents / Índice / Table des matières

|   |          |   |           |   |           |
|---|----------|---|-----------|---|-----------|
| <b>DRYER SAFETY</b> .....                 | <b>1</b> | <b>SEGURIDAD DE LA SECADORA</b> .....         | <b>14</b> | <b>SÉCURITÉ DE LA SÈCHEUSE</b> .....        | <b>26</b> |
| <b>INSTALLATION INSTRUCTIONS</b> .....    | <b>2</b> | <b>INSTRUCCIONES DE INSTALACIÓN</b> .....     | <b>14</b> | <b>INSTRUCTIONS D'INSTALLATION</b> .....    | <b>26</b> |
| Tools and Parts .....                     | 2        | Herramientas y piezas.....                    | 14        | Outils et pièces.....                       | 26        |
| Location Requirements .....               | 2        | Requisitos de ubicación.....                  | 14        | Exigences d'emplacement .....               | 27        |
| Electrical Requirements - U.S.A. ....     | 3        | Requisitos eléctricos.....                    | 15        | Spécifications électriques.....             | 28        |
| Electrical Requirements - Canada.....     | 4        | Conexión eléctrica .....                      | 17        | Exigences concernant l'évacuation .....     | 28        |
| Electrical Connection - U.S.A. only ..... | 5        | Requisitos de ventilación .....               | 22        | Planification du système d'évacuation ..... | 30        |
| Venting Requirements.....                 | 10       | Planificación del sistema de ventilación..... | 23        | Installation du système d'évacuation .....  | 31        |
| Plan Vent System.....                     | 11       | Instalación del sistema de ventilación.....   | 24        | Installation des pieds de nivellement.....  | 31        |
| Install Vent System.....                  | 12       | Instalación de las patas niveladoras.....     | 24        | Raccordement du conduit d'évacuation ....   | 32        |
| Install Leveling Legs.....                | 12       | Conexión del ducto de escape.....             | 25        | Mise à niveau de la sècheuse .....          | 32        |
| Connect Vent .....                        | 13       | Nivelación de la secadora.....                | 25        | Achever l'installation .....                | 32        |
| Level Dryer .....                         | 13       | Complete la instalación.....                  | 25        |   |           |
| Complete Installation .....               | 13       |   |           |   |           |

## DRYER SAFETY

### Your safety and the safety of others are very important.

We have provided many important safety messages in this manual and on your appliance. Always read and obey all safety messages.



This is the safety alert symbol.

This symbol alerts you to potential hazards that can kill or hurt you and others.

All safety messages will follow the safety alert symbol and either the word "DANGER" or "WARNING."

These words mean:

**⚠ DANGER**

You can be killed or seriously injured if you don't immediately follow instructions.

**⚠ WARNING**

You can be killed or seriously injured if you don't follow instructions.

All safety messages will tell you what the potential hazard is, tell you how to reduce the chance of injury, and tell you what can happen if the instructions are not followed.

# INSTALLATION INSTRUCTIONS

## Tools and Parts

Gather the required tools and parts before starting installation. Read and follow the instructions provided with any tools listed here.

- Flat-blade screwdriver
- #2 Phillips screwdriver
- Adjustable wrench that opens to 1" (2.5 cm) or hex-head socket wrench (for adjusting dryer feet)
- Wire stripper (direct wire installations)
- Tin snips (new vent installations)
- Level
- Vent clamps
- Caulking gun and compound (for installing new exhaust vent)
- Tape measure

## Parts supplied:

Remove parts package from dryer drum. Check that all parts were included.



4 leveling legs

## Parts needed:

Check local codes. Check existing electrical supply and venting and see "Electrical Requirements" and "Venting Requirements" before purchasing parts.

Mobile home installations require metal exhaust system hardware available for purchase from the dealer from whom you purchased your dryer. For further information, please reference the "Assistance or Service" section of the Dryer User Instructions.

## Location Requirements

### ⚠ WARNING



#### Explosion Hazard

Keep flammable materials and vapors, such as gasoline, away from dryer.

Place dryer at least 18 inches (46 cm) above the floor for a garage installation.

Failure to do so can result in death, explosion, or fire.

## You will need

- A location that allows for proper exhaust installation. See "Venting Requirements."
- A separate 30-amp circuit.
- If you are using a power supply cord, a grounded electrical outlet located within 2 ft (61 cm) of either side of the dryer. See "Electrical Requirements."

- A sturdy floor to support the total weight (dryer and load) of 200 lbs (90.7 kg). The combined weight of a companion appliance should also be considered.
- A level floor with a maximum slope of 1" (2.5 cm) under entire dryer. (If slope is greater than 1" [2.5 cm], install Extended Dryer Feet kit, Part Number 279810.) Clothes may not tumble properly and models with automatic sensor cycles may not operate correctly if dryer is not level.

Do not operate your dryer at temperatures below 45°F (7°C). At lower temperatures, the dryer might not shut off at the end of an automatic cycle. Drying times can be extended.

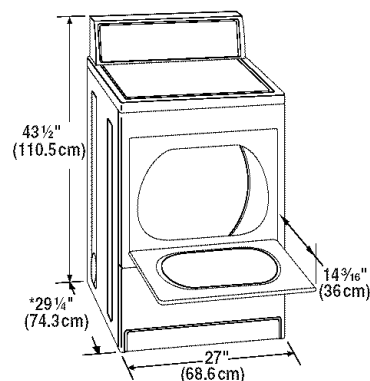
The dryer must not be installed or stored in an area where it will be exposed to water and/or weather.

Check code requirements. Some codes limit, or do not permit, installation of the dryer in garages, closets, mobile homes or sleeping quarters. Contact your local building inspector.

## Installation Clearances

The location must be large enough to allow the dryer door to open fully.

## Dryer Dimensions



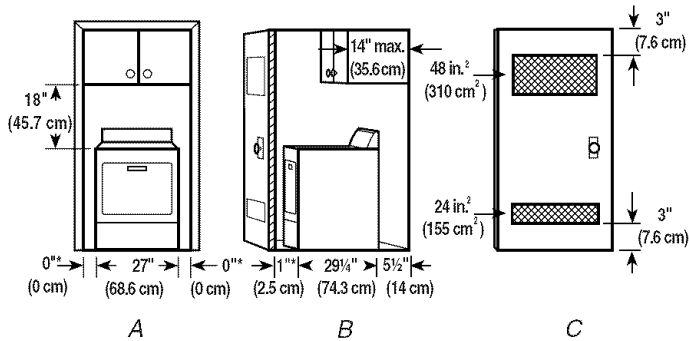
\*Most installations require a minimum 5½" (14 cm) clearance behind the dryer for the exhaust vent with elbow. See "Venting Requirements."

## Minimum installation spacing for recessed area or closet installation

The dimensions shown following are for the minimum spacing allowed.

- Additional spacing should be considered for ease of installation and servicing.
- Additional clearances might be required for wall, door and floor moldings.
- Additional spacing of 1" (2.5 cm) on all sides of the dryer is recommended to reduce noise transfer.
- For closet installation, with a door, minimum ventilation openings in the top and bottom of the door are required. Louvered doors with equivalent ventilation openings are acceptable.

- Companion appliance spacing should also be considered.



A. Recessed area  
 B. Side view - closet or confined area  
 C. Closet door with vents

\*Additional spacing recommended

### Mobile Home - Additional Installation Requirements

This dryer is suitable for mobile home installations. The installation must conform to the Manufactured Home Construction and Safety Standard, Title 24 CFR, Part 3280 (formerly the Federal Standard for Mobile Home Construction and Safety, Title 24, HUD Part 280) or the Canadian Manufactured Home Standard, CAN/CSA-Z240 MH.

#### Mobile home installations require:

- Metal exhaust system hardware, which is available for purchase from your dealer.
- Special provisions must be made in mobile homes to introduce outside air into the dryer. The opening (such as a nearby window) should be at least twice as large as the dryer exhaust opening.

## Electrical Requirements - U.S.A.

### It is your responsibility

- To contact a qualified electrical installer.
- To be sure that the electrical connection is adequate and in conformance with the National Electrical Code, ANSI/NFPA 70-latest edition and all local codes and ordinances.  
 The National Electric Code requires a 4-wire supply connection for homes built after 1996, dryer circuits involved in remodeling after 1996, and all mobile home installations.  
 A copy of the above code standards can be obtained from: National Fire Protection Association, One Batterymarch Park, Quincy, MA 02269.
- To supply the required 3 or 4 wire, single phase, 120/240 volt, 60 Hz., AC only electrical supply (or 3 or 4 wire, 120/208 volt electrical supply, if specified on the serial/rating plate) on a separate 30-amp circuit, fused on both sides of the line. A time-delay fuse or circuit breaker is recommended. Connect to an individual branch circuit. Do not have a fuse in the neutral or grounding circuit.
- Do not use an extension cord.
- If codes permit and a separate ground wire is used, it is recommended that a qualified electrician determine that the ground path is adequate.

### Electrical Connection

To properly install your dryer, you must determine the type of electrical connection you will be using and follow the instructions provided for it here.

- If local codes do not permit the connection of a neutral ground wire to the neutral wire, see "Optional 3-wire connection" section.
- This dryer is manufactured ready to install with a 3-wire electrical supply connection. The neutral ground wire is permanently connected to the neutral conductor (white wire) within the dryer. If the dryer is installed with a 4-wire electrical supply connection, the neutral ground wire must be removed from the external ground conductor screw (green screw), and secured under the neutral terminal (center or white wire) of the terminal block. When the neutral ground wire is secured under the neutral terminal (center or white wire) of the terminal block, the dryer cabinet is isolated from the neutral conductor.

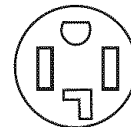
- A 4-wire power supply connection must be used when the appliance is installed in a location where grounding through the neutral conductor is prohibited. Grounding through the neutral is prohibited for (1) new branch-circuit installations, (2) mobile homes, (3) recreational vehicles, and (4) areas where local codes prohibit grounding through the neutral conductors.

#### If using a power supply cord:

Use a UL listed power supply cord kit marked for use with clothes dryers. The kit should contain:

- A UL listed 30-amp power supply cord, rated 120/240 volt minimum. The cord should be type SRD or SRDT and be at least 4 ft (1.22 m) long. The wires that connect to the dryer must end in ring terminals or spade terminals with upturned ends.
- A UL listed strain relief.

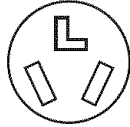
#### If your outlet looks like this:



4-wire receptacle (14-30R)

Then choose a 4-wire power supply cord with ring or spade terminals and UL listed strain relief. The 4-wire power supply cord, at least 4 ft (1.22 m) long, must have 4 10-gauge solid copper wires and match a 4-wire receptacle of NEMA Type 14-30R. The ground wire (ground conductor) may be either green or bare. The neutral conductor must be identified by a white cover.

If your outlet looks like this:



3-wire receptacle (10-30R)

Then choose a 3-wire power supply cord with ring or spade terminals and UL listed strain relief. The 3-wire power supply cord, at least 4 ft (1.22 m) long, must have 3 10-gauge solid copper wires and match a 3-wire receptacle of NEMA Type 10-30R.

**If connecting by direct wire:**

Power supply cable must match power supply (4-wire or 3-wire) and be:

- Flexible armored cable or nonmetallic sheathed copper cable (with ground wire), protected with flexible metallic conduit. All current-carrying wires must be insulated.
- 10-gauge solid copper wire (do not use aluminum).
- At least 5 ft (1.52 m) long.

**GROUNDING INSTRUCTIONS**

- For a grounded, cord-connected dryer:  
This dryer must be grounded. In the event of malfunction or breakdown, grounding will reduce the risk of electric shock by providing a path of least resistance for electric current. This dryer uses a cord having an equipment-grounding conductor and a grounding plug. The plug must be plugged into an appropriate outlet that is properly installed and grounded in accordance with all local codes and ordinances.
- For a permanently connected dryer:  
This dryer must be connected to a grounded metal, permanent wiring system, or an equipment-grounding conductor must be run with the circuit conductors and connected to the equipment-grounding terminal or lead on the dryer.

**WARNING:** Improper connection of the equipment-grounding conductor can result in a risk of electric shock. Check with a qualified electrician or service representative or personnel if you are in doubt as to whether the dryer is properly grounded. Do not modify the plug on the power supply cord: if it will not fit the outlet, have a proper outlet installed by a qualified electrician.

**SAVE THESE INSTRUCTIONS**

Electrical Requirements - Canada

**⚠ WARNING**



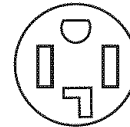
**Electrical Shock Hazard**

**Plug into a grounded 4 prong outlet.**

**Failure to do so can result in death or electrical shock.**

**It is your responsibility**

- To contact a qualified electrical installer.
- To be sure that the electrical connection is adequate and in conformance with the Canadian Electrical Code, C22.1-latest edition and all local codes. A copy of the above codes standard may be obtained from: Canadian Standards Association, 178 Rexdale Blvd., Toronto, ON M9W 1R3 CANADA.
- To supply the required 4 wire, single phase, 120/240 volt, 60 Hz., AC only electrical supply on a separate 30-amp circuit, fused on both sides of the line. A time-delay fuse or circuit breaker is recommended. Connect to an individual branch circuit.
- This dryer is equipped with a CSA International Certified Power Cord intended to be plugged into a standard 14-30R wall receptacle. The cord is 5 ft (1.52 m) in length. Be sure wall receptacle is within reach of dryer's final location.



4-wire receptacle 14-30R

- Do not use an extension cord.

If you are using a replacement power supply cord, it is recommended that you use Power Supply Cord Replacement Part Number 3394208. For further information, please reference the service numbers located in the Dryer User Instructions.

**GROUNDING INSTRUCTIONS**

- For a grounded, cord-connected dryer:  
This dryer must be grounded. In the event of malfunction or breakdown, grounding will reduce the risk of electric shock by providing a path of least resistance for electric current. This dryer is equipped with a cord having an equipment-grounding conductor and a grounding plug. The plug must be plugged into an appropriate outlet that is properly installed and grounded in accordance with all local codes and ordinances.

**WARNING:** Improper connection of the equipment-grounding conductor can result in a risk of electric shock. Check with a qualified electrician or service representative or personnel if you are in doubt as to whether the dryer is properly grounded. Do not modify the plug provided with the dryer: if it will not fit the outlet, have a proper outlet installed by a qualified electrician.

**SAVE THESE INSTRUCTIONS**

**Power Supply Cord**

**⚠ WARNING**



**Fire Hazard**

- Use a new UL listed 30 amp power supply cord.
- Use a UL listed strain relief.
- Disconnect power before making electrical connections.
- Connect neutral wire (white or center wire) to center terminal (silver).
- Ground wire (green or bare wire) must be connected to green ground connector.
- Connect remaining 2 supply wires to remaining 2 terminals (gold).
- Securely tighten all electrical connections.
- Failure to do so can result in death, fire, or electrical shock.

**Direct Wire**

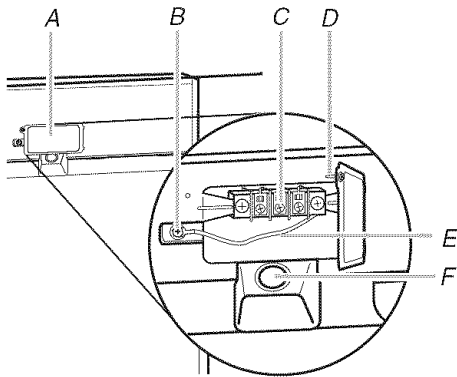
**⚠ WARNING**



**Fire Hazard**

- Use 10 gauge solid copper wire.
- Use a UL listed strain relief.
- Disconnect power before making electrical connections.
- Connect neutral wire (white or center wire) to center terminal (silver).
- Ground wire (green or bare wire) must be connected to green ground connector.
- Connect remaining 2 supply wires to remaining 2 terminals (gold).
- Securely tighten all electrical connections.
- Failure to do so can result in death, fire, or electrical shock.

1. Disconnect power.
2. Remove the hold-down screw and terminal block cover.

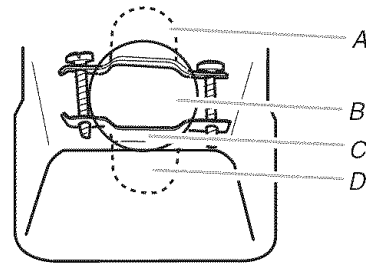


- A. Terminal block cover
- B. External ground conductor screw
- C. Center, silver-colored terminal block screw
- D. Hold-down screw
- E. Neutral ground wire
- F. Hole below terminal block opening

3. Install strain relief.

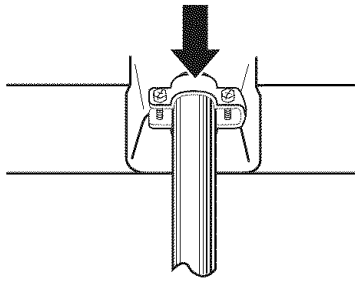
**Style 1: Power supply cord strain relief**

- Remove the screws from a 3/4" (1.9 cm) UL listed strain relief (UL marking on strain relief). Put the tabs of the two clamp sections into the hole below the terminal block opening so that one tab is pointing up and the other is pointing down, and hold in place. Tighten strain relief screws enough to hold the two clamp sections together.



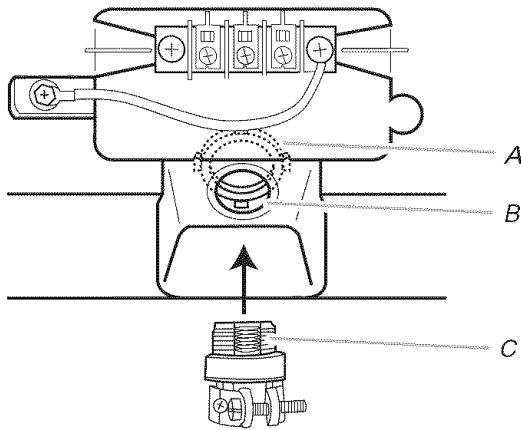
- A. Strain relief tab pointing up
- B. Hole below terminal block opening
- C. Clamp section
- D. Strain relief tab pointing down

- Put power supply cord through the strain relief. Be sure that the wire insulation on the power supply cord is inside the strain relief. The strain relief should have a tight fit with the dryer cabinet and be in a horizontal position. Do not further tighten strain relief screws at this point.



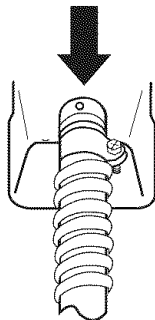
### Style 2: Direct wire strain relief

- Unscrew the removable conduit connector and any screws from a 3/4" (1.9 cm) UL listed strain relief (UL marking on strain relief). Put the threaded section of the strain relief through the hole below the terminal block opening. Reaching inside the terminal block opening, screw the removable conduit connector onto the strain relief threads.



A. Removable conduit connector  
 B. Hole below terminal block opening  
 C. Strain relief threads

- Put direct wire cable through the strain relief. The strain relief should have a tight fit with the dryer cabinet and be in a horizontal position. Tighten strain relief screw against the direct wire cable.


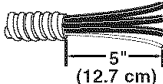

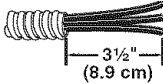


- Now complete installation following instructions for your type of electrical connection:

**4-wire** (recommended)

**3-wire** (if 4-wire is not available)

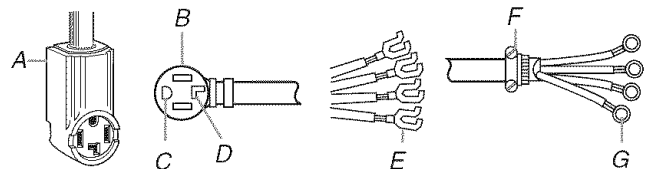
### Electrical Connection Options

| If your home has:  | And you will be connecting to:                                      | Go to Section:                       |
|--|---|--------------------------------------|
| 4-wire receptacle (NEMA type 14-30R)<br> | A UL listed, 120/240-volt minimum, 30-amp, dryer power supply cord* | 4-wire connection: Power Supply Cord |
| 4-wire direct<br>                        | A fused disconnect or circuit breaker box*                          | 4-wire connection: Direct Wire       |
| 3-wire receptacle (NEMA type 10-30R)<br> | A UL listed, 120/240-volt minimum, 30-amp, dryer power supply cord* | 3-wire connection: Power Supply Cord |
| 3-wire direct<br>                       | A fused disconnect or circuit breaker box*                          | 3-wire connection: Direct Wire       |

\*If local codes do not permit the connection of a cabinet-ground conductor to the neutral wire, go to "Optional 3-wire connection" section.

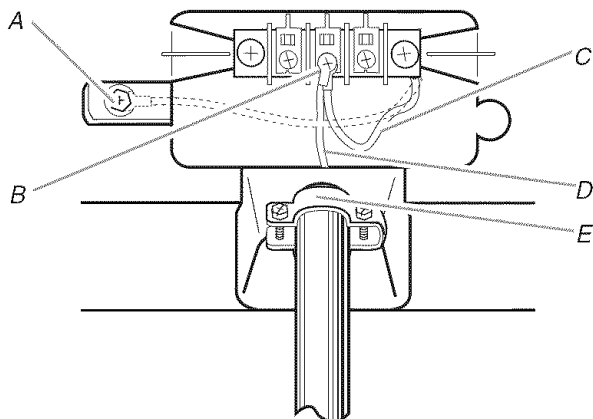
### 4-wire connection: Power supply cord

**IMPORTANT:** A 4-wire connection is required for mobile homes and where local codes do not permit the use of 3-wire connections.



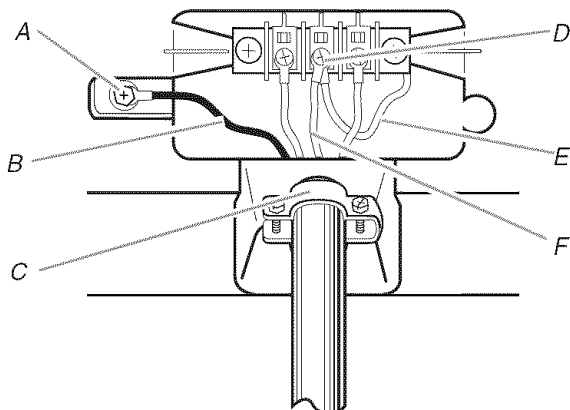
A. 4-wire receptacle (NEMA type 14-30R)  
 B. 4-prong plug  
 C. Ground prong  
 D. Neutral prong  
 E. Spade terminals with upturned ends  
 F. 3/4" (1.9 cm) UL listed strain relief  
 G. Ring terminals

1. Remove center silver-colored terminal block screw.
2. Remove neutral ground wire from external ground conductor screw. Connect neutral ground wire and the neutral wire (white or center wire) of power supply cord under center, silver-colored terminal block screw. Tighten screw.



- A. External ground conductor screw - Dotted line shows position of NEUTRAL ground wire before being moved to center silver-colored terminal block screw  
 B. Center silver-colored terminal block screw  
 C. Neutral ground wire  
 D. Neutral wire (white or center wire)  
 E. 3/4" (1.9 cm) UL listed strain relief

3. Connect ground wire (green or bare) of power supply cord to external ground conductor screw. Tighten screw.



- A. External ground conductor screw  
 B. Ground wire (green or bare) of power supply cord  
 C. 3/4" (1.9 cm) UL listed strain relief  
 D. Center silver-colored terminal block screw  
 E. Neutral ground wire  
 F. Neutral wire (white or center wire)

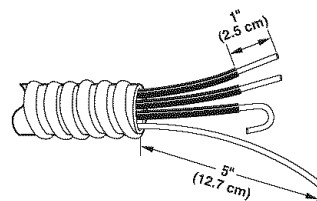
4. Connect the other wires to outer terminal block screws. Tighten screws.
5. Tighten strain relief screws.
6. Insert tab of terminal block cover into slot of dryer rear panel. Secure cover with hold-down screw.
7. You have completed your electrical connection. Now go to "Venting Requirements."

#### 4-wire connection: Direct Wire

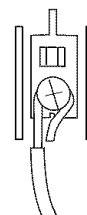
**IMPORTANT:** A 4-wire connection is required for mobile homes and where local codes do not permit the use of 3 wire connections.

Direct wire cable must have 5 ft (1.52 m) of extra length so dryer can be moved if needed.

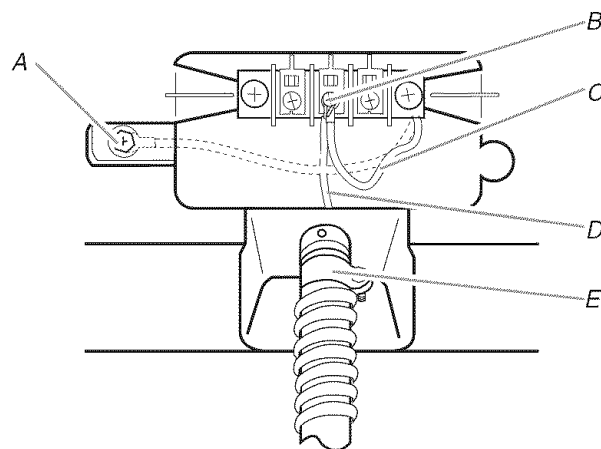
Strip 5" (12.7 cm) of outer covering from end of cable, leaving bare ground wire at 5" (12.7 cm). Cut 1 1/2" (3.8 cm) from 3 remaining wires. Strip insulation back 1" (2.5 cm). Shape ends of wires into a hook shape.



When connecting to the terminal block, place the hooked end of the wire under the screw of the terminal block (hook facing right), squeeze hooked end together and tighten screw, as shown.

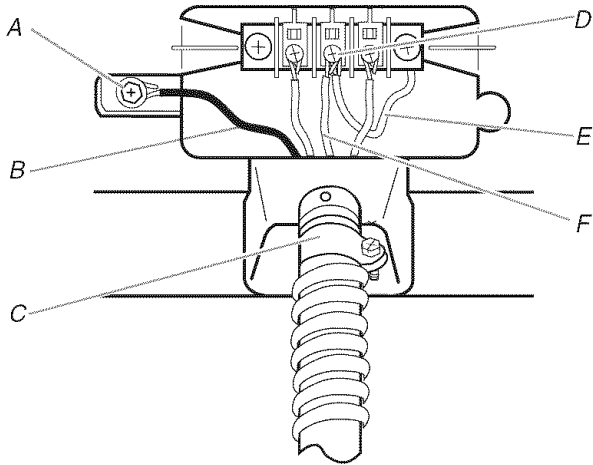


1. Remove center silver-colored terminal block screw.
2. Remove neutral ground wire from external ground conductor screw. Connect neutral ground wire and place the hooked end (hook facing right) of the neutral wire (white or center wire) of direct wire cable under the center screw of the terminal block. Squeeze hooked ends together. Tighten screw.



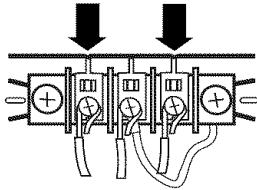
- A. External ground conductor screw - Dotted line shows position of NEUTRAL ground wire before being moved to center silver-colored terminal block screw  
 B. Center silver-colored terminal block screw  
 C. Neutral ground wire  
 D. Neutral wire (white or center wire)  
 E. 3/4" (1.9 cm) UL listed strain relief

3. Connect ground wire (green or bare) of direct wire cable to external ground conductor screw. Tighten screw.



- A. External ground conductor screw
- B. Ground wire (green or bare) of power supply cable
- C.  $\frac{3}{4}$ " (1.9 cm) UL listed strain relief
- D. Center silver-colored terminal block screw
- E. Neutral ground wire
- F. Neutral wire (white or center wire)

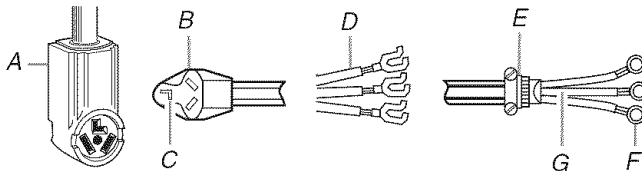
4. Place the hooked ends of the other direct wire cable wires under the outer terminal block screws (hooks facing right). Squeeze hooked ends together. Tighten screws.



5. Tighten strain relief screw.
6. Insert tab of terminal block cover into slot of dryer rear panel. Secure cover with hold-down screw.
7. You have completed your electrical connection. Now go to "Venting Requirements."

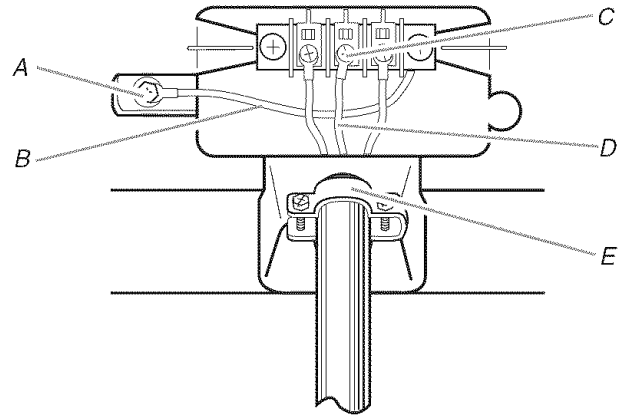
### 3-wire connection: Power supply cord

Use where local codes permit connecting cabinet-ground conductor to neutral wire.



- A. 3-wire receptacle (NEMA type 10-30R)
- B. 3-wire plug
- C. Neutral prong
- D. Spade terminals with upturned ends
- E.  $\frac{3}{4}$ " (1.9 cm) UL listed strain relief
- F. Ring terminals
- G. Neutral wire (white or center wire)

1. Loosen or remove center silver-colored terminal block screw.
2. Connect neutral wire (white or center wire) of power supply cord to the center, silver-colored terminal screw of the terminal block. Tighten screw.



- A. External ground conductor screw
- B. Neutral ground wire
- C. Center silver-colored terminal block screw
- D. Neutral wire (white or center wire)
- E.  $\frac{3}{4}$ " (1.9 cm) UL listed strain relief

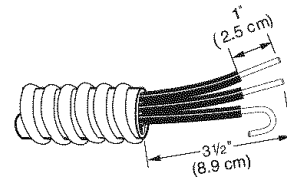
3. Connect the other wires to outer terminal block screws. Tighten screws.
4. Tighten strain relief screws.
5. Insert tab of terminal block cover into slot of dryer rear panel. Secure cover with hold-down screw.
6. You have completed your electrical connection. Now go to "Venting Requirements."

### 3-wire connection: Direct Wire

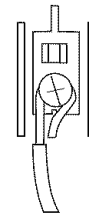
Use where local codes permit connecting cabinet-ground conductor to neutral wire.

Direct wire cable must have 5 ft (1.52 m) of extra length so dryer can be moved if needed.

Strip  $3\frac{1}{2}$ " (8.9 cm) of outer covering from end of cable. Strip insulation back 1" (2.5 cm). If using 3-wire cable with ground wire, cut bare wire even with outer covering. Shape ends of wires into a hook shape.

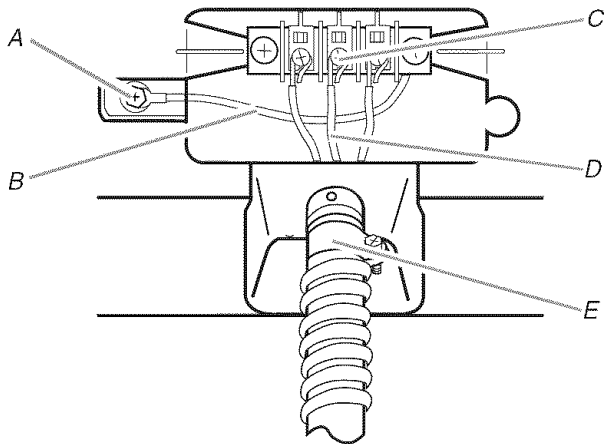


When connecting to the terminal block, place the hooked end of the wire under the screw of the terminal block (hook facing right), squeeze hooked end together and tighten screw, as shown.



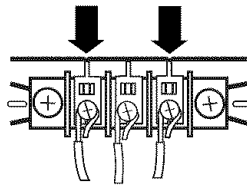


1. Loosen or remove center silver-colored terminal block screw.
2. Place the hooked end of the neutral wire (white or center wire) of direct wire cable under the center screw of terminal block (hook facing right). Squeeze hooked end together. Tighten screw.



A. External ground conductor screw  
 B. Neutral ground wire  
 C. Center silver-colored terminal block screw  
 D. Neutral wire (white or center wire)  
 E.  $\frac{3}{4}$ " (1.9 cm) UL listed strain relief

3. Place the hooked ends of the other direct wire cable wires under the outer terminal block screws (hooks facing right). Squeeze hooked ends together. Tighten screws.

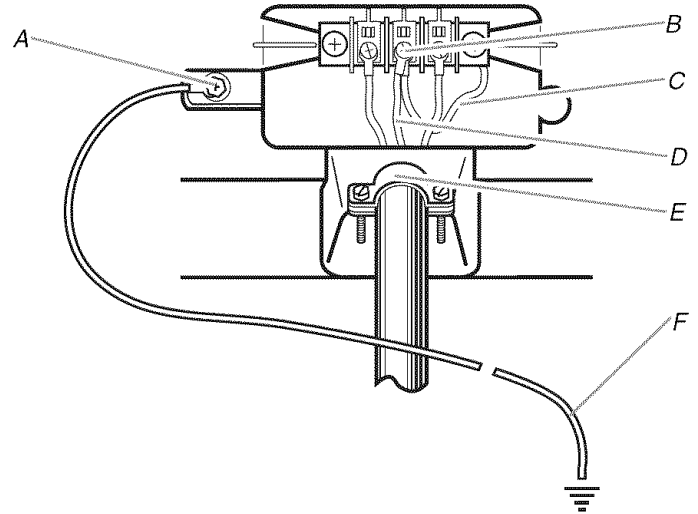


4. Tighten strain relief screw.
5. Insert tab of terminal block cover into slot of dryer rear panel. Secure cover with hold-down screw.
6. You have completed your electrical connection. Now go to "Venting Requirements."

### Optional 3-wire connection

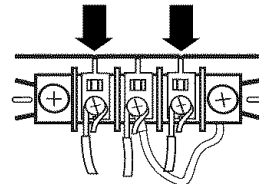
**Use for direct wire or power supply cord where local codes do not permit connecting cabinet-ground conductor to neutral wire.**

1. Remove center silver-colored terminal block screw.
2. Remove neutral ground wire from external ground conductor screw. Connect neutral ground wire and the neutral wire (white or center wire) of power supply cord/cable under center, silver-colored terminal block screw. Tighten screw.



A. External ground conductor screw  
 B. Center silver-colored terminal block screw  
 C. Neutral ground wire  
 D. Neutral wire (white or center wire)  
 E.  $\frac{3}{4}$ " (1.9 cm) UL listed strain relief  
 F. Grounding path determined by a qualified electrician


3. Connect the other wires to outer terminal block screws. Tighten screws.



4. Tighten strain relief screws.
5. Insert tab of terminal block cover into slot of dryer rear panel. Secure cover with hold-down screw.
6. Connect a separate copper ground wire from the external ground conductor screw to an adequate ground.

## Venting Requirements

**⚠ WARNING**



**Fire Hazard**

**Use a heavy metal vent.**

**Do not use a plastic vent.**

**Do not use a metal foil vent.**

**Failure to follow these instructions can result in death or fire.**

### Rigid metal vent

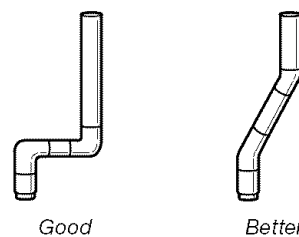
- For best drying performance, rigid metal vents are recommended.
- Rigid metal vent is recommended to avoid crushing and kinking.

### Flexible metal vent

- Flexible metal vents are acceptable only if accessible for cleaning.
- Flexible metal vent must be fully extended and supported when the dryer is in its final location.
- Remove excess flexible metal vent to avoid sagging and kinking that may result in reduced airflow and poor performance.
- Do not install flexible metal vent in enclosed walls, ceilings or floors.

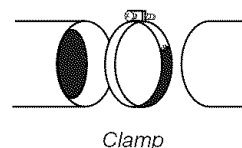
### Elbows

45° elbows provide better airflow than 90° elbows.



### Clamps

- Use clamps to seal all joints.
- Exhaust vent must not be connected or secured with screws or other fastening devices that extend into the interior of the duct. Do not use duct tape.



**WARNING:** To reduce the risk of fire, this dryer **MUST BE EXHAUSTED OUTDOORS.**

**IMPORTANT:** Observe all governing codes and ordinances.

The dryer exhaust must not be connected into any gas vent, chimney, wall, ceiling or a concealed space of a building.

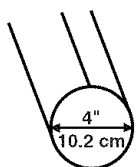
### If using an existing vent system

- Clean lint from the entire length of the system and make sure exhaust hood is not plugged with lint.
- Replace any plastic or metal foil vent with rigid or flexible heavy metal vent.
- Review Vent system chart. Modify existing vent system if necessary to achieve the best drying performance.

### If this is a new vent system

#### Vent material

- Use a heavy metal vent. Do not use plastic or metal foil vent.
- 4" (10.2 cm) heavy metal exhaust vent and clamps must be used. DURASAFE™ venting products are recommended.

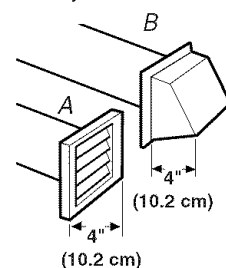


4" (10.2 cm) heavy metal exhaust vent

DURASAFE™ vent products can be purchased from your dealer or by calling Whirlpool Parts and Accessories. For more information, see the "Assistance or Service" section of the Dryer User Instructions.

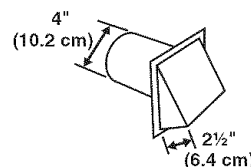
### Exhaust

Recommended hood styles are shown here.



A. Louvered hood style  
B. Box hood style

The angled hood style (shown here) is acceptable.



- An exhaust hood should cap the vent to keep rodents and insects from entering the home.
- Exhaust hood must be at least 12" (30.5 cm) from the ground or any object that may be in the path of the exhaust (such as flowers, rocks or bushes, snow line, etc.).
- Do not use an exhaust hood with a magnetic latch.

**Improper venting can cause moisture and lint to collect indoors, which may result in:**

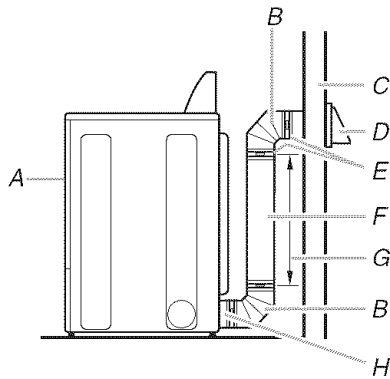
- Moisture damage to woodwork, furniture, paint, wallpaper, carpets, etc.
- Housecleaning problems and health problems.

## Plan Vent System

### Choose your exhaust installation type

#### Recommended exhaust installations

Typical installations vent the dryer from the rear of the dryer. Other installations are possible.



- |                 |  |
|-----------------|--|
| A. Dryer        | E. Clamps                                  |
| B. Elbow        | F. Rigid metal or flexible metal vent      |
| C. Wall         | G. Vent length necessary to connect elbows |
| D. Exhaust hood | H. Exhaust outlet                          |

## Optional exhaust installations

This dryer can be converted to exhaust out the right side, left side, or through the bottom. If you prefer, you may contact your local dealer to have the dryer converted.

# WARNING



### Fire Hazard

Cover unused exhaust holes with one of the following kits:

279818 (white)

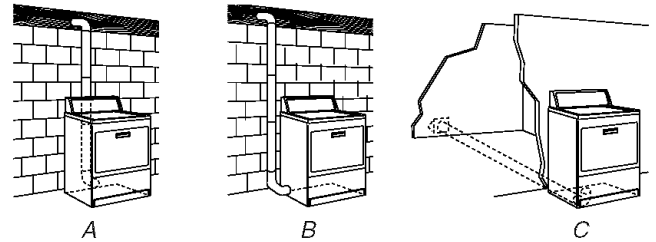
279819 (almond)

279915 (graphite)

279925 (biscuit)

Contact your local dealer.

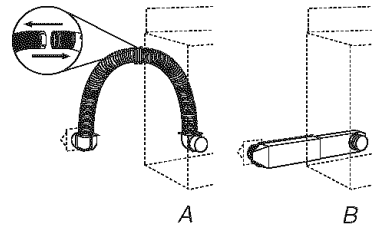
Failure to follow these instructions can result in death, fire, electrical shock, or serious injury.



- |  |
|--|
| A. Standard rear offset exhaust installation |
| B. Left or right side exhaust installation   |
| C. Bottom exhaust installation               |

#### Alternate installations for close clearances

Venting systems come in many varieties. Select the type best for your installation. Two close-clearance installations are shown. Refer to the manufacturer's instructions.



- |   |
|---|
| A. Over-the-top installation (also available with one offset elbow) |
| B. Periscope installation   |

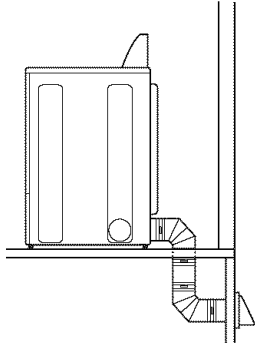
**NOTE:** The following kits for close clearance alternate installations are available for purchase. Please see the "Assistance or Service" section of the Dryer User Instructions.

- Over-the-Top Installation:  
Part Number 4396028

- Periscope Installation (For use with dryer vent to wall vent mismatch):  
Part Number 4396037 - 0" (0 cm) to 18" (45.72 cm) mismatch  
Part Number 4396011 - 18" (45.72 cm) to 29" (73.66 cm) mismatch  
Part Number 4396014 - 29" (73.66 cm) to 50" (127 cm) mismatch

### Special provisions for mobile home installations

The exhaust vent must be securely fastened to a noncombustible portion of the mobile home structure and must not terminate beneath the mobile home. Terminate the exhaust vent outside.



### Determine vent path

- Select the route that will provide the straightest and most direct path outdoors.
- Plan the installation to use the fewest number of elbows and turns.
- When using elbows or making turns, allow as much room as possible.
- Bend vent gradually to avoid kinking.
- Use the fewest 90° turns possible.

### Determine vent length and elbows needed for best drying performance

- Use the following Vent system chart to determine the type of vent material and hood combinations acceptable to use.
- **NOTE:** Do not use vent runs longer than those specified in the Vent system chart. Exhaust systems longer than those specified will:
  - Shorten the life of the dryer.
  - Reduce performance, resulting in longer drying times and increased energy usage.

The Vent system chart provides venting requirements that will help to achieve the best drying performance.

### Vent system chart

**NOTE:** Side and bottom exhaust installations have a 90° turn inside the dryer. To determine maximum exhaust length, add one 90° turn to the chart.

| Number of 90° turns or elbows | Type of vent   | Box or louvered hoods | Angled hoods   |
|-------------------------------|----------------|-----------------------|----------------|
| 0                             | Rigid metal    | 64 ft (20 m)          | 58 ft (17.7 m) |
|                               | Flexible metal | 36 ft (11 m)          | 28 ft (8.5 m)  |
| 1                             | Rigid metal    | 54 ft (16.5 m)        | 48 ft (14.6 m) |
|                               | Flexible metal | 31 ft (9.4 m)         | 23 ft (7 m)    |
| 2                             | Rigid metal    | 44 ft (13.4 m)        | 38 ft (11.6 m) |
|                               | Flexible metal | 27 ft (8.2 m)         | 19 ft (5.8 m)  |
| 3                             | Rigid metal    | 35 ft (10.7 m)        | 29 ft (8.8 m)  |
|                               | Flexible metal | 25 ft (7.6 m)         | 17 ft (5.2 m)  |
| 4                             | Rigid metal    | 27 ft (8.2 m)         | 21 ft (6.4 m)  |
|                               | Flexible metal | 23 ft (7 m)           | 15 ft (4.6 m)  |

### Install Vent System

1. Install exhaust hood. Use caulking compound to seal exterior wall opening around exhaust hood.
2. Connect vent to exhaust hood. Vent must fit inside exhaust hood. Secure vent to exhaust hood with 4" (10.2 cm) clamp.
3. Run vent to dryer location. Use the straightest path possible. See "Determine vent path" in "Plan Vent System." Avoid 90° turns. Use clamps to seal all joints. Do not use duct tape, screws or other fastening devices that extend into the interior of the vent to secure vent.

### Install Leveling Legs

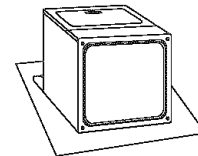
## ⚠ WARNING

### Excessive Weight Hazard

Use two or more people to move and install dryer.

Failure to do so can result in back or other injury.

1. To protect the floor, use a large, flat piece of cardboard from the dryer carton. Place cardboard under the entire back side of the dryer.
2. Firmly grasp the body of the dryer (not the top or console panel). Gently lay the dryer on the cardboard. See illustration.



3. Examine the leveling legs. Find the diamond marking.



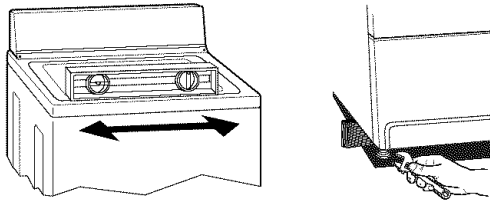
4. Screw the legs into the leg holes by hand. Use a wrench to finish turning the legs until the diamond marking is no longer visible.
5. Place a carton corner post from dryer packaging under each of the 2 dryer back corners. Stand the dryer up. Slide the dryer on the corner posts until it is close to its final location. Leave enough room to connect the exhaust vent.

## Connect Vent

1. Using a 4" (10.2 cm) clamp, connect vent to exhaust outlet in dryer. If connecting to existing vent, make sure the vent is clean. The dryer vent must fit over the dryer exhaust outlet and inside the exhaust hood. Make sure the vent is secured to exhaust hood with a 4" (10.2 cm) clamp.
2. Move dryer into its final location. Do not crush or kink vent.
3. (On gas models) Make sure that there are no kinks in the flexible gas line.
4. Once the exhaust vent connection is made, remove the corner posts and cardboard.

## Level Dryer

Check the levelness of the dryer. Check levelness first side to side, then front to back.




If the dryer is not level, prop up the dryer using a wood block. Use a wrench to adjust the legs up or down and check again for levelness.

## Complete Installation

1. Check that all parts are now installed. If there is an extra part, go back through the steps to see which step was skipped.
2. Check that you have all of your tools.
3. Dispose of/recycle all packaging materials.
4. Check the dryer's final location. Be sure the vent is not crushed or kinked.
5. Check that the dryer is level. See "Level Dryer."
6. **In the U.S.A.**
  - For power supply cord installation, plug into a grounded outlet. For direct wire installation, turn on power.

### In Canada

**⚠ WARNING**



**Electrical Shock Hazard**

**Plug into a grounded 4 prong outlet.**

**Failure to do so can result in death or electrical shock.**

- Plug into a grounded 4 prong outlet. Turn on power.
7. Remove the blue protective film on the console and any tape remaining on the dryer.
  8. Read "Dryer Use" in the Dryer User Instructions.
  9. Wipe the dryer drum interior thoroughly with a damp cloth to remove any dust.
  10. Set the dryer on a full heat cycle (not an air cycle) for 20 minutes and start the dryer.

**If the dryer will not start, check the following:**

    - Controls are set in a running or "On" position.
    - Start button has been pushed firmly.
    - Dryer is plugged into an outlet and/or electrical supply is on.
    - Household fuse is intact and tight, or circuit breaker has not tripped.
    - Dryer door is closed.
  11. When the dryer has been running for 5 minutes, open the dryer door and feel for heat. If you feel heat, cancel cycle and close the door.

**If you do not feel heat, turn off the dryer and check the following:**

    - There may be 2 household fuses or circuit breakers for the dryer. Check that both fuses are intact and tight, or that both circuit breakers have not tripped. If there is still no heat, contact a qualified technician.

**NOTE:** You may notice a burning odor when the dryer is first heated. This odor is common when the heating element is first used. The odor will go away.

# INSTRUCCIONES DE INSTALACIÓN PARA LA SECADORA ELÉCTRICA DE 27" (69 CM)

## SEGURIDAD DE LA SECADORA

### Su seguridad y la seguridad de los demás es muy importante.

Hemos incluido muchos mensajes importantes de seguridad en este manual y en su electrodoméstico. Lea y obedezca siempre todos los mensajes de seguridad.



Este es el símbolo de advertencia de seguridad.

Este símbolo le llama la atención sobre peligros potenciales que pueden ocasionar la muerte o una lesión a usted y a los demás.

Todos los mensajes de seguridad irán a continuación del símbolo de advertencia de seguridad y de la palabra "PELIGRO" o "ADVERTENCIA". Estas palabras significan:

**⚠ PELIGRO**

Si no sigue las instrucciones **de inmediato**, usted puede morir o sufrir una lesión grave.

**⚠ ADVERTENCIA**

Si no sigue las instrucciones, usted puede morir o sufrir una lesión grave.

Todos los mensajes de seguridad le dirán el peligro potencial, le dirán cómo reducir las posibilidades de sufrir una lesión y lo que puede suceder si no se siguen las instrucciones.

## INSTRUCCIONES DE INSTALACIÓN

### Herramientas y piezas

Reúna las herramientas y piezas necesarias antes de comenzar la instalación. Lea y siga las instrucciones provistas con cualquiera de las herramientas enlistadas aquí.

- Destornillador de cuchilla plana
- Destornillador Phillips # 2
- Llave de tuercas ajustable que se abra a 1" (2,5 cm) o una llave de cubo de cabeza hexagonal (para regular las patas de la secadora)
- Desforrador de alambre (instalaciones de cableado directo)
- Tijeras de lata (instalaciones del nuevo ducto de escape)
- Nivel
- Abrazaderas para ducto
- Pistola y masilla para calafateo (para instalar el nuevo ducto de escape)
- Cinta para medir

### Piezas suministradas:

Retire el paquete de piezas del tambor de la secadora. Verifique que estén todas las piezas.



4 patas niveladoras

### Piezas necesarias:

Verifique los códigos locales. Verifique el suministro eléctrico existente y la ventilación y vea "Requisitos eléctricos" y "Requisitos de ventilación" antes de comprar las piezas.

Las instalaciones en casas rodantes requieren herramientas del sistema de escape de metal, que se encuentran disponibles para ser compradas en el distribuidor donde compró la secadora. Para obtener más información, tome como referencia la sección "Ayuda o servicio técnico" de sus Instrucciones para el usuario de la secadora.

### Requisitos de ubicación

**⚠ ADVERTENCIA**



#### Peligro de Explosión

Mantenga los materiales y vapores inflamables, como la gasolina, lejos de la secadora.

Coloque la secadora a un mínimo de 46 cm sobre el piso para la instalación en un garaje.

No seguir estas instrucciones puede ocasionar la muerte, explosión o incendio.

### Usted necesitará

- Una ubicación que permita una instalación adecuada del ducto de escape. Consulte "Requisitos de ventilación".
- Un circuito separado de 30 amperios.

- Si está usando un cable de suministro de energía, un contacto con conexión a tierra ubicado a un máximo de 2 pies (61 cm) de cualquiera de los lados de la secadora. Vea "Requisitos eléctricos".
- Un piso resistente para soportar el peso total (secadora y carga) de 200 lbs (90,7 kgs). Asimismo se debe considerar el peso de otro artefacto que la acompañe.
- Un piso nivelado con un declive máximo de 1" (2,5 cm) debajo de la secadora completa. (Si el declive es mayor que 1" [2,5 cm], instale el juego de extensión de patas de la secadora, Pieza No. 279810.) La ropa quizás no rote adecuadamente y los ciclos del sensor automático posiblemente no funcionen debidamente si la secadora no está nivelada.

No ponga a funcionar su secadora en las temperaturas inferiores a 45°F (7°C). A temperaturas inferiores, es posible que la secadora no se apague al final de un ciclo automático. Los tiempos de secado pueden prolongarse.

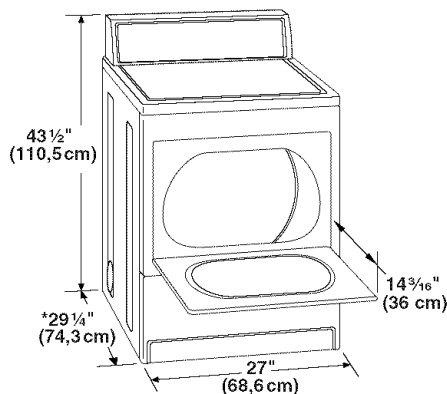
No debe instalarse ni guardarse la secadora en un área en donde pueda estar expuesta al agua y/o a la intemperie.

Verifique los requisitos de los códigos. Algunos códigos limitan, o no permiten, la instalación de la secadora en garajes, clósets, casas rodantes o en dormitorios. Póngase en contacto con el inspector de construcciones de su localidad.

### Espacios para la instalación

La ubicación debe ser lo suficientemente grande para poder abrir completamente la puerta de la secadora.

### Dimensiones de la secadora



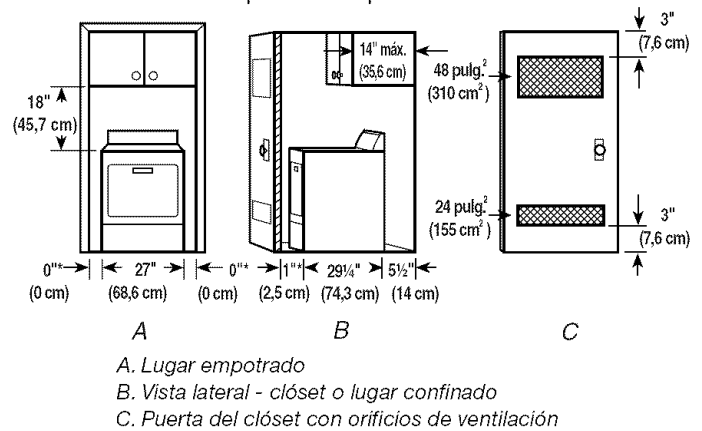
\*La mayoría de las instalaciones requieren un espacio libre mínimo de 5 1/2" (14 cm) detrás de la secadora para acomodar el ducto de escape con codo. Vea "Requisitos de ventilación".

### Espacio mínimo para la instalación en un lugar empotrado o en un clóset

Las siguientes dimensiones ilustradas son para el espacio mínimo permitido.

- Debe considerarse el espacio adicional para facilitar la instalación y el servicio técnico.
- Se podrían necesitar espacios libres adicionales para las molduras de la pared, puerta y piso.
- Se recomienda un espacio adicional de 1" (2,5 cm) en todos los lados de la secadora para reducir la transferencia de ruido.
- Para la instalación en clóset, con una puerta, se requieren aberturas de ventilación mínimas en la parte superior e inferior de la puerta. Se aceptan puertas tipo persianas con aberturas de ventilación equivalentes.

- También se debe considerar espacio adicional para otro electrodoméstico que le acompañe.



\*Se recomienda espacio adicional

### Requisitos de instalación adicionales para las casas rodantes

Esta secadora es apropiada para instalaciones en casas rodantes. La instalación debe ajustarse al Estándar de seguridad y construcción de casas fabricadas, Título 24 CFR, Parte 3280 (anteriormente conocido como Estándar federal para la seguridad y construcción de casas rodantes, Título 24, HUD Parte 280).

#### Las instalaciones en casas rodantes necesitan:

- Herramientas del sistema de escape de metal, que se encuentran disponibles para ser compradas en su distribuidor.
- Se deben tomar medidas especiales en el caso de casas rodantes para introducir el aire del exterior en la secadora. La abertura (como la de una ventana adyacente) deberá ser por lo menos el doble de tamaño que la abertura de ventilación de la secadora.

## Requisitos eléctricos

### Usted es responsable de

- Ponerse en contacto con un instalador eléctrico calificado.
  - Asegurarse de que la conexión eléctrica sea adecuada y de conformidad con el Código Nacional Eléctrico, ANSI/NFPA 70 - última edición y con todos los códigos y ordenanzas locales.
- El Código Nacional Eléctrico requiere una conexión de suministro eléctrico de 4 hilos para aquellos hogares construidos después de 1996, para los circuitos de secadora que se hayan reformado después de 1996 y todas las instalaciones de casas rodantes.
- Usted puede obtener una copia de todas las normas arriba indicadas en:  
National Fire Protection Association, One Batterymarch Park, Quincy, MA 02269.
- Proveer el suministro eléctrico requerido de 3 ó 4 alambres, monofásico, de 120/240 voltios, 60 Hz, CA solamente (o un suministro eléctrico de 3 ó 4 alambres, de 120/208 voltios, si se especifica en la placa indicadora de corriente/de la serie) en un circuito separado de 30 amperios, protegido con fusibles en ambos lados de la línea. Se recomienda un fusible retardador o un cortacircuitos. Conéctela a un circuito derivado individual. No tenga un fusible en el circuito neutro o de conexión a tierra.
  - No use un cable eléctrico de extensión.
  - Si los códigos lo permiten y se emplea un alambre de conexión a tierra separado, es recomendable que un electricista calificado determine si la trayectoria de conexión a tierra es adecuada.

## Conexión eléctrica

Para instalar su secadora adecuadamente, usted debe determinar el tipo de conexión eléctrica que va a usar y seguir las instrucciones que aquí se proveen para el caso.

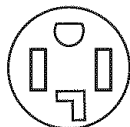
- Si los códigos locales no permiten la conexión de un conductor para conexión a tierra del equipo al alambre neutro, vea la sección "Conexión opcional de 3 hilos".
- Esta secadora ha sido manufacturada lista para ser instalada en una conexión de suministro de energía eléctrica de 3 hilos. El hilo neutro de puesta a tierra está permanentemente conectado al conductor neutral (cable blanco) dentro de la secadora. Si la secadora está instalada con una conexión de suministro eléctrico de 4 hilos, el hilo neutro de puesta a tierra se debe quitar del tornillo de puesta a tierra exterior (tornillo verde) y ajustar debajo del terminal neutral (cable central o blanco) del bloque de terminal. Cuando el hilo neutro de puesta a tierra esté ajustado debajo del terminal neutral (cable central o blanco) del bloque de terminal, el gabinete de la secadora queda aislado del conductor neutral.
- Deberá usarse una conexión con suministro de energía de 4 hilos cuando el aparato esté instalado en una ubicación en la cual esté prohibida la conexión a tierra a través del conductor neutro. Está prohibido hacer la puesta a tierra a través del conductor neutro para (1) las nuevas instalaciones de circuito derivado, (2) casas rodantes, (3) vehículos de recreación y (4) áreas donde los códigos locales prohíben la conexión a tierra a través de conductores neutros.

### Si emplea un cable de suministro eléctrico:

Use un juego aprobado de UL para cable de suministro eléctrico que esté marcado para ser usado en secadoras de ropa. El juego deberá contener:

- Un cable de suministro eléctrico de 30 amperios aprobado de UL, con 120/240 voltios mínimo. El cable deberá ser del tipo SRD o SRDT y deberá tener un largo de por lo menos 4 pies (1,22 m). Los hilos que conectan con la secadora deberán terminar en terminales de anillo o de horquilla con los extremos hacia arriba.
- Un protector de cables aprobado de UL.

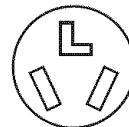
### Si el contacto de pared luce como éste:



Contacto de 4 alambres (14-30R)

Entonces elija un cable de suministro eléctrico de 4 alambres con terminales de anillo o de horquilla y con protector de cables aprobado de UL. El cable de suministro eléctrico de 4 hilos, de por lo menos 4 pies (1,22 m) de largo, deberá tener 4 hilos de cobre de calibre 10 y coincidir con un receptáculo de 4 hilos tipo NEMA 14-30R. El hilo de conexión a tierra (conductor a tierra) puede ser verde o desnudo. El conductor neutro debe ser identificado con una cubierta blanca.

### Si el contacto de pared luce como éste:



Contacto de 3 alambres (10-30R)

Entonces elija un cable de suministro eléctrico de 3 alambres con terminales de anillo o de horquilla y con protector de cables aprobado de UL. El cable de suministro eléctrico de 3 hilos, de por lo menos 4 pies (1,22 m) de largo, deberá tener 3 hilos de cobre de calibre 10 y coincidir con un receptáculo de 3 hilos tipo NEMA 10-30R.

### Si hace la conexión con cableado directo:

El cable de suministro eléctrico debe ser igual al del suministro eléctrico (de 4 alambres o de 3 alambres) y debe ser:

- Cable blindado flexible o cable de cobre forrado no metálico (con alambre de puesta a tierra), protegido con un conducto metálico flexible. Todos los alambres conductores de corriente deben estar aislados.
- Alambre de cobre sólido de calibre 10 (no utilice aluminio).
- Por lo menos 5 pies (1,52 m) de largo.

## INSTRUCCIONES PARA LA CONEXIÓN A TIERRA

- Para la conexión de una secadora mediante cable eléctrico conectado a tierra:

Esta secadora debe estar conectada a tierra. En el caso de funcionamiento defectuoso o avería, la conexión a tierra reducirá el riesgo de choque eléctrico al proporcionar una vía de menor resistencia para la corriente eléctrica. Esta secadora usa un cable que cuenta con un conductor para la conexión a tierra del equipo y un enchufe de conexión a tierra. El enchufe debe conectarse en un contacto apropiado, que esté debidamente instalado y conectado a tierra de acuerdo con todos los códigos y ordenanzas locales.

- Para la conexión permanente de una secadora: Esta secadora debe estar conectada a un sistema de cableado de metal permanente, conectado a tierra, o se debe tender un conducto para la conexión a tierra del equipo con los conductores de circuito y conectado al terminal de tierra del equipo o al conductor de suministro de la secadora.

**ADVERTENCIA:** La conexión indebida del conductor para la conexión a tierra del equipo puede ocasionar un riesgo de choque eléctrico. Verifique con un electricista, representante o personal de servicio técnico calificado para asegurarse de que la conexión a tierra de la secadora sea apropiada. No modifique el enchufe que viene con el cable eléctrico. Si no encaja en el contacto, contrate un electricista calificado para que instale un contacto adecuado.

**GUARDE ESTAS INSTRUCCIONES**



### Cable de suministro eléctrico

#### ⚠ **ADVERTENCIA**



#### Peligro de Incendio

Use un cable de suministro eléctrico nuevo de 30 amperes que esté en la lista de UL.

Use un protector de cables que esté en la lista de UL.

Desconecte el suministro eléctrico antes de hacer las conexiones eléctricas.

Conecte el alambre neutro (el blanco o el del centro) al terminal central (plateada).

El alambre de tierra (el verde o el no aislado) se debe conectar con el conector verde de tierra.

Conecte los 2 alambres de suministro restantes con las 2 terminales restantes (las doradas).

Apriete firmemente todas las conexiones eléctricas.

No seguir estas instrucciones puede ocasionar la muerte, incendio, o choque eléctrico.

### Cableado directo

#### ⚠ **ADVERTENCIA**



#### Peligro de Incendio

Utilice alambres de cobre sólido de ancho 10.

Use un protector de cables que esté en la lista de UL.

Desconecte el suministro eléctrico antes de hacer las conexiones eléctricas.

Conecte el alambre neutro (el blanco o el del centro) al terminal central (plateada).

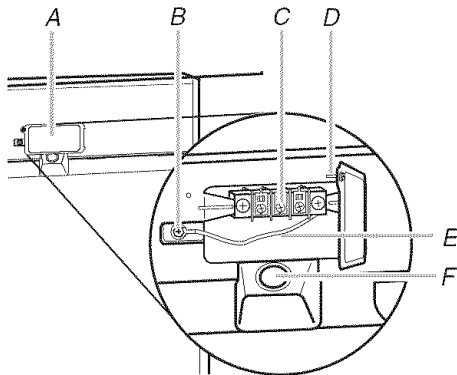
El alambre de tierra (el verde o el no aislado) se debe conectar con el conector verde de tierra.

Conecte los 2 alambres de suministro restantes con las 2 terminales restantes (las doradas).

Apriete firmemente todas las conexiones eléctricas.

No seguir estas instrucciones puede causar la muerte, incendio o choque eléctrico.

1. Desconecte el suministro de energía.
2. Quite el tornillo de sujeción y la tapa del bloque de terminal.

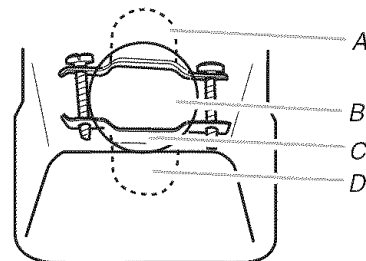


- A. Tapa del bloque de terminal
- B. Tornillo conductor de tierra externo
- C. Tornillo de bloque de terminal de color plateado, del centro
- D. Tornillo de sujeción
- E. Hilo neutro de puesta a tierra
- F. Orificio debajo de la abertura del bloque de terminal

3. Instale el protector de cables.

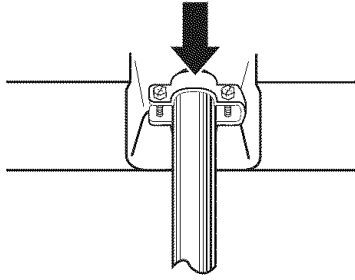
#### Estilo 1: Protector de cables del cable de suministro eléctrico

- Quite los tornillos de un protector de cables de 3/4" (1,9 cm) que esté en la lista de UL (con la marca UL en el protector de cables). Coloque las lengüetas de las dos secciones de la abrazadera en el orificio que está debajo de la abertura del bloque de terminal de manera que una lengüeta esté apuntando hacia arriba y la otra esté apuntando hacia abajo, y sujételas en su lugar. Apriete los tornillos del protector de cables sólo lo suficiente para mantener las dos secciones de la abrazadera juntas.



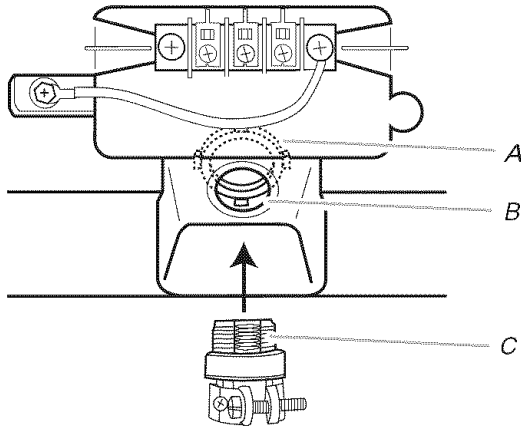
- A. Lengüeta del protector de cables apuntando hacia arriba
- B. Orificio debajo de la abertura del bloque de terminal
- C. Sección de la abrazadera
- D. Lengüeta del protector de cables apuntando hacia abajo

- Haga pasar el cable de suministro eléctrico a través del protector de cables. Asegúrese de que el aislamiento de alambre del cable de suministro eléctrico esté dentro del protector de cables. El protector de cables deberá encajar bien con el gabinete de la secadora y estar en posición horizontal. No ajuste más los tornillos del protector de cables en este momento.



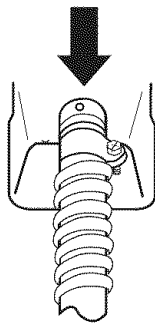
### Estilo 2: Protector de cables para cable directo

- Desatornille la tuerca de retención removible y cualquier tornillo del protector de cables de 3/4" (1,9 cm) que esté en la lista de UL (con la marca UL en el protector de cables). Haga pasar la sección roscada del protector de cables a través del orificio que está debajo de la abertura del bloque de terminal. Busque dentro de la abertura del bloque de terminal y atornille el conector de conducto removible sobre las roscas del protector de cables.



A. Conector del conducto removible  
B. Orificio debajo de la abertura del bloque de terminal  
C. Roscas del protector de cables

- Haga pasar el cable directo a través del protector de cables. El protector de cables deberá encajar bien con el gabinete de la secadora y estar en posición horizontal. Apriete el tornillo del protector de cables contra el cable directo.



- Ahora termine la instalación siguiendo las instrucciones para el tipo de su conexión eléctrica:

**Alambre de 4 hilos** (se recomienda)

**Alambre de 3 hilos** (si no dispone de alambre de 4 hilos)

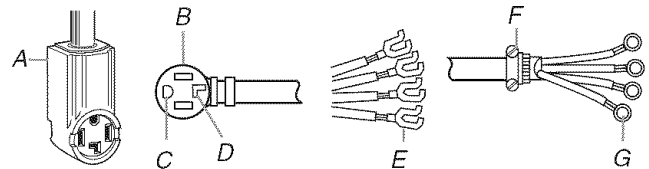
### Opciones para la conexión eléctrica

| Si su casa tiene:                         | Y usted va a conectar con:   | Vaya a la sección:                                    |
|---|--|---|
| Un contacto de 4 hilos (tipo NEMA 14-30R) | Un cable de suministro eléctrico para secadora, aprobado de UL, de 120/240 voltios mínimo y 30 amperios* | Conexión de 4 hilos:<br>Cable de suministro eléctrico |
| Cable directo de 4 hilos                  | Un desconectador con fusible o una caja de disyuntor*  | Conexión de 4 hilos:<br>Cable directo                 |
| Contacto de 3 hilos (Tipo NEMA 10-30R)    | Un cable de suministro eléctrico para secadora, aprobado de UL, de 120/240 voltios mínimo y 30 amperios* | Conexión de 3 hilos:<br>Cable de suministro eléctrico |
| Cable directo de 3 hilos                  | Un desconectador con fusible o una caja de disyuntor*  | Conexión de 3 hilos:<br>Cable directo                 |

\*Si los códigos locales no permiten la conexión de un conductor de conexión a tierra del gabinete al cable neutro, prosiga a la sección "Conexión opcional de 3 hilos".

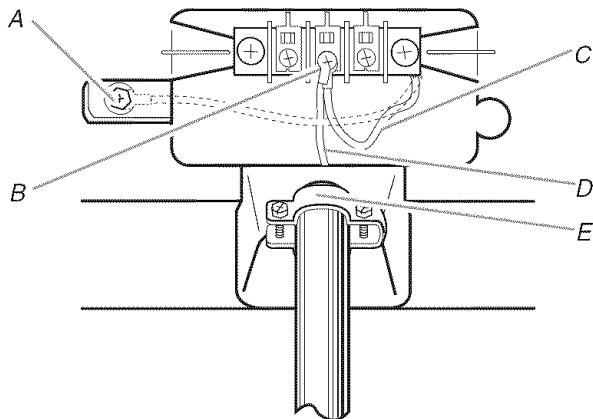
### Conexión de 4 hilos: Cable de suministro eléctrico

**IMPORTANTE:** Se necesita una conexión de alambre de cuatro hilos para las casas rodantes y para los casos en que los códigos locales no permitan el uso de conexiones de 3 hilos.



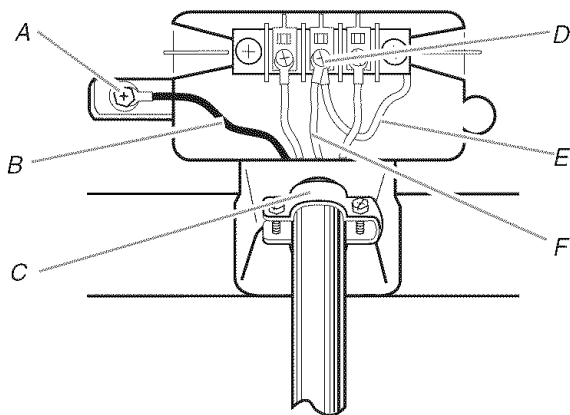
A. Contacto de cuatro hilos (tipo NEMA 14-30R)  
B. Enchufe de 4 terminales  
C. Terminal de conexión a tierra  
D. Terminal neutro  
E. Terminales de horquilla con los extremos hacia arriba  
F. Protector de cables que esté en la lista de UL, de 3/4" (1,9 cm)  
G. Terminales anulares

1. Saque el tornillo central de color plateado del bloque de terminal.
2. Saque el hilo neutro de puesta a tierra del aparato del tornillo conductor de tierra externo. Conecte el hilo neutro de puesta a tierra y el hilo neutro (hilo blanco o central) del cable de suministro de energía debajo del tornillo central de color plateado del bloque de terminal. Apriete el tornillo.



- A. Tornillo conductor de tierra externo – La línea punteada ilustra la posición del hilo de tierra NEUTRO antes de moverlo al tornillo central de color plateado del bloque de terminal  
 B. Tornillo central de color plateado del bloque de terminal  
 C. Hilo neutro de puesta a tierra  
 D. Hilo neutro (hilo blanco o central)  
 E. Protector de cables de 3/4" (1,9 cm), que esté en la lista de UL

3. Conecte el hilo de tierra (verde o desnudo) del cable de suministro eléctrico al tornillo conductor de tierra externo. Apriete el tornillo.



- A. Tornillo conductor de tierra externo  
 B. Hilo de tierra (verde o desnudo) del cable de suministro eléctrico  
 C. Protector de cables que esté en la lista de UL de 3/4" (1,9 cm)  
 D. Tornillo central de color plateado del bloque de terminal  
 E. Hilo neutro de puesta a tierra  
 F. Hilo neutro (hilo blanco o central)

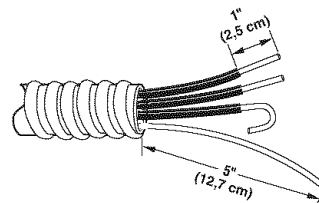
4. Conecte los otros hilos a los tornillos exteriores del bloque de terminal. Apriete los tornillos.
5. Apriete los tornillos del protector de cables.
6. Introduzca la lengüeta de la cubierta del bloque de terminal en la ranura del panel posterior de la secadora. Asegure la cubierta con el tornillo de sujeción.
7. Usted ha completado la conexión eléctrica. Ahora vaya a "Requisitos de ventilación".

## Conexión de 4 hilos: Cable directo

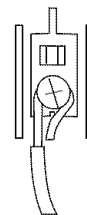
**IMPORTANTE:** Se necesita una conexión de 4 hilos para las casas rodantes y para los casos en que los códigos locales no permitan el uso de conexiones de 3 hilos.

El cable de conexión directa debe tener 5 pies (1,52 m) extra de largo para poder mover la secadora si fuese necesario.

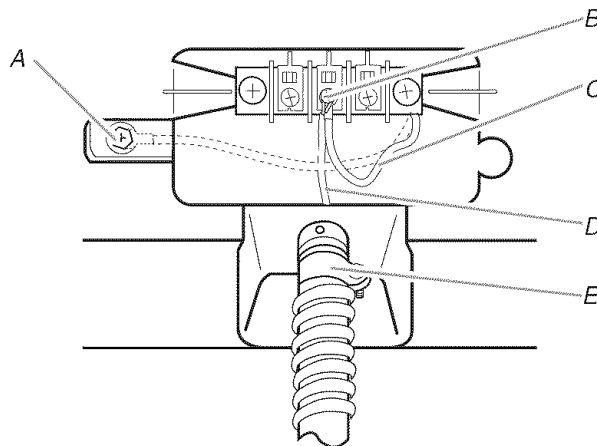
Pele 5" (12,7 cm) de la cubierta exterior desde el extremo del cable, dejando el hilo de tierra desnudo a 5 pies (12,7 cm). Corte 1 1/2" (3,8 cm) de los 3 hilos restantes. Pele el aislamiento 1" (2,5 cm) hacia atrás. Doble los extremos de los hilos para formar un gancho.



Al conectar el hilo al bloque de terminal, coloque el extremo del hilo en forma de gancho debajo del tornillo del bloque de terminal (con el gancho mirando hacia la derecha). Apriete y junte el extremo en forma de gancho y apriete el tornillo, como se muestra.

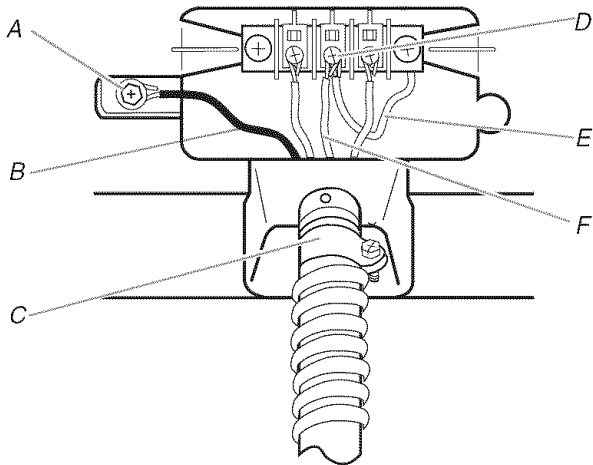


1. Saque el tornillo central de color plateado del bloque de terminal.
2. Saque el hilo neutro de puesta a tierra del tornillo conductor de tierra externo. Conecte el hilo neutro de puesta a tierra y coloque el extremo en forma de gancho (con el gancho mirando hacia la derecha) del hilo neutro (blanco o central) del cable de conexión directa debajo del tornillo central del bloque de terminal. Apriete y junte los extremos en forma de gancho. Apriete el tornillo.



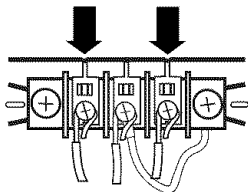
- A. Tornillo conductor de tierra externo – La línea punteada ilustra la posición del hilo de tierra NEUTRO antes de moverlo al tornillo central de color plateado del bloque de terminal  
 B. Tornillo central de color plateado del bloque de terminal  
 C. Hilo neutro de puesta a tierra  
 D. Hilo neutro (hilo blanco o central)  
 E. Protector de cables que esté en la lista de UL de 3/4" (1,9 cm)

3. Conecte el hilo de tierra (verde o desnudo) del cable de conexión directa al tornillo del conductor de tierra externo. Apriete el tornillo.



- A. Tornillo conductor de tierra externo
- B. Hilo de tierra (verde o desnudo) del cable de suministro eléctrico
- C. Protector de cables que esté en la lista de UL de 3/4" (1,9 cm)
- D. Tornillo central de color plateado del bloque de terminal
- E. Hilo neutro de puesta a tierra
- F. Hilo neutro (hilo blanco o central)

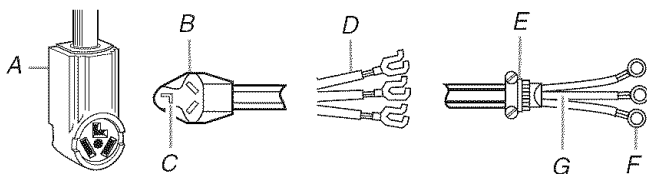
4. Coloque los extremos en forma de gancho de los otros hilos del cable de conexión directa debajo de los tornillos exteriores del bloque de terminal (con los ganchos mirando hacia la derecha). Apriete y junte los extremos en forma de gancho. Apriete los tornillos.



5. Apriete los tornillos del protector de cables.
6. Introduzca la lengüeta de la cubierta del bloque de terminal en la ranura del panel posterior de la secadora. Asegure la cubierta con el tornillo de sujeción.
7. Usted ha completado la conexión eléctrica. Ahora vaya a "Requisitos de ventilación".

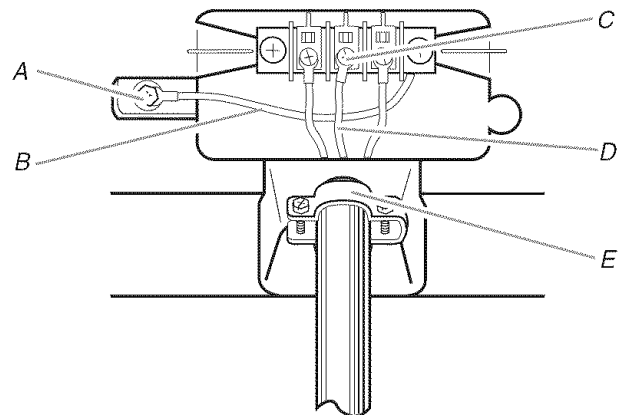
#### Conexión de 3 hilos: Cable de suministro eléctrico

Use cuando los códigos locales permitan la conexión del conductor de tierra del gabinete al hilo neutro.



- A. Tomacorriente de 3 hilos (tipo NEMA 10-30R)
- B. Enchufe de 3 hilos
- C. Terminal neutro
- D. Terminales de horquilla con extremos hacia arriba
- E. Protector de cables que esté en la lista de UL de 3/4" (1,9 cm)
- F. Terminales anulares
- G. Hilo neutro (hilo blanco o central)

1. Afloje o saque el tornillo central de color plateado del bloque de terminal.
2. Conecte el hilo neutro (hilo blanco o central) del cable de suministro eléctrico al tornillo central de color plateado del bloque de terminal. Apriete el tornillo.



- A. Tornillo conductor de tierra externo
- B. Hilo neutro de puesta a tierra
- C. Tornillo central de color plateado del bloque de terminal
- D. Hilo neutro (hilo blanco o central)
- E. Protector de cables que esté en la lista de UL de 3/4" (1,9 cm)

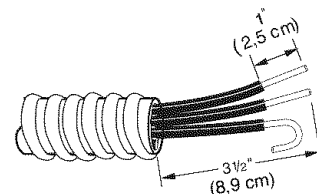
3. Conecte los otros hilos a los tornillos exteriores del bloque de terminal. Apriete los tornillos.
4. Apriete los tornillos del protector de cables.
5. Introduzca la lengüeta de la cubierta del bloque de terminal en la ranura del panel posterior de la secadora. Asegure la cubierta con el tornillo de sujeción.
6. Usted ha completado la conexión eléctrica. Ahora vaya a "Requisitos de ventilación".

#### Conexión de 3 hilos: Cable directo

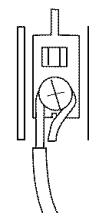
Use cuando los códigos locales permitan la conexión del conductor de tierra del gabinete al hilo neutro.

El cable de conexión directa debe tener 5 pies (1,52 m) extra de largo para poder mover la secadora si fuese necesario.

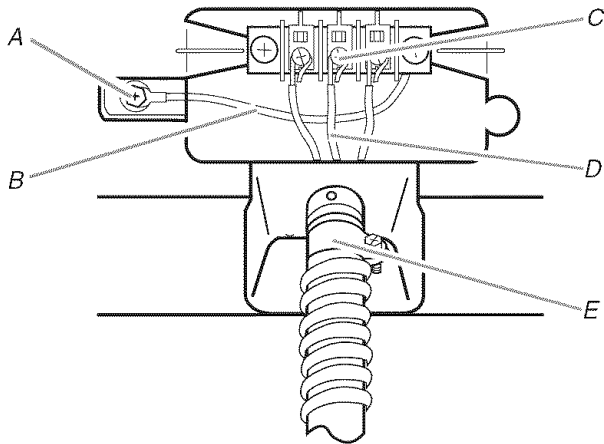
Pele 3 1/2" (8,9 cm) de la cubierta exterior desde el extremo del cable. Pele el aislamiento 1" (2,5 cm) hacia atrás. Si usa un cable trifilar con hilo de tierra, corte el hilo desnudo para que quede nivelado con la cubierta exterior. Doble los extremos de los hilos para formar un gancho.



Al conectar el hilo al bloque de terminal, coloque el extremo del hilo en forma de gancho debajo del tornillo del bloque de terminal (con el gancho mirando hacia la derecha). Apriete y junte el extremo en forma de gancho y apriete el tornillo, como se muestra.

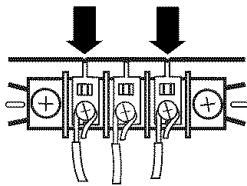


1. Afloje o saque el tornillo central de color plateado del bloque de terminal.
2. Coloque el extremo en forma de gancho del hilo neutro (hilo blanco o central) del cable de conexión directa debajo del tornillo central del bloque de terminal (con el gancho mirando hacia la derecha). Apriete y junte el extremo en forma de gancho. Apriete el tornillo.



- A. Tornillo conductor de tierra externo  
 B. Hilo neutro de puesta a tierra  
 C. Tornillo central de color plateado del bloque de terminal  
 D. Hilo neutro (hilo blanco o central)  
 E. Protector de cables que esté en la lista de UL de 3/4" (1,9 cm)

3. Coloque los extremos en forma de gancho de los otros hilos del cable de conexión directa debajo de los tornillos exteriores del bloque de terminal (con los ganchos mirando hacia la derecha). Apriete y junte los extremos en forma de gancho. Apriete los tornillos.

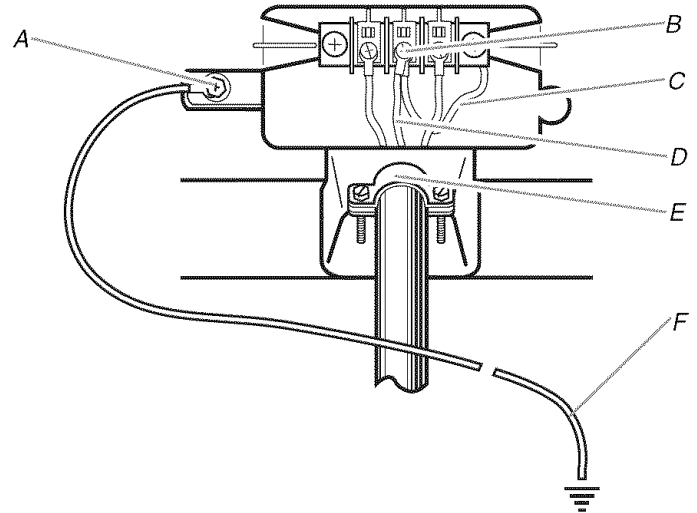


4. Apriete los tornillos del protector de cables.
5. Introduzca la lengüeta de la cubierta del bloque de terminal en la ranura del panel posterior de la secadora. Asegure la cubierta con el tornillo de sujeción.
6. Usted ha completado la conexión eléctrica. Ahora vaya a "Requisitos de ventilación".

### Conexión opcional de 3 hilos

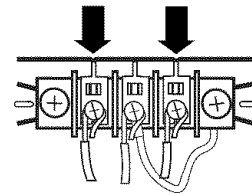
Use para cable directo o cable de suministro eléctrico donde los códigos locales no permitan la conexión del conductor de tierra del gabinete con el hilo neutro.

1. Saque el tornillo central de color plateado del bloque de terminal.
2. Saque el hilo de tierra neutro del tornillo conductor de tierra externo. Conecte el hilo neutro de puesta a tierra y el hilo neutro (hilo blanco o central) del cordón/cable de suministro eléctrico debajo del tornillo central de color plateado del bloque de terminal. Apriete el tornillo.



- A. Tornillo conductor de tierra externo  
 B. Tornillo central de color plateado del bloque de terminal  
 C. Hilo neutro de puesta a tierra  
 D. Hilo neutro (hilo blanco o central)  
 E. Protector de cables de 3/4" (1,9 cm), que esté en la lista de UL  
 F. Camino de puesta a tierra determinado por un electricista capacitado

3. Conecte los otros hilos a los tornillos exteriores del bloque de terminal. Apriete los tornillos.



4. Apriete los tornillos del protector de cables.
5. Introduzca la lengüeta de la cubierta del bloque de terminal en la ranura del panel posterior de la secadora. Asegure la cubierta con el tornillo de sujeción.
6. Conecte un hilo de tierra de cobre separado desde el tornillo conductor de tierra externo a tierra adecuada.

## Requisitos de ventilación

### **⚠ ADVERTENCIA**



#### **Peligro de Incendio**

- Use un ducto de escape de metal pesado.
- No use un ducto de escape de plástico.
- No use un ducto de escape de aluminio.
- No seguir estas instrucciones puede ocasionar la muerte o incendio.

**ADVERTENCIA:** Para reducir el riesgo de incendio, esta secadora DEBE VENTILARSE HACIA EL EXTERIOR.

**IMPORTANTE:** Observe todas las normas y ordenanzas vigentes. El ducto de escape de la secadora no debe conectarse en ningún ducto de escape de gas, chimenea, pared, techo o el espacio oculto de un edificio.

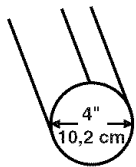
#### **Si usa un sistema de ventilación existente**

- Limpie la pelusa que está en toda la longitud del sistema y asegúrese de que la capota de ventilación no esté obstruida con pelusa.
- Reemplace cualquier ducto de escape de plástico o de hoja de metal por uno de metal pesado rígido o flexible.
- Vuelva a consultar el cuadro del sistema de ventilación. Modifique el sistema de ventilación existente si fuera necesario para lograr el mejor rendimiento de la secadora.

#### **Si este es un nuevo sistema de ventilación**

##### **Material de ventilación**

- Use un ducto de escape de metal pesado. No use ducto de escape de plástico o de hoja de metal.
- Se debe usar un ducto de escape de metal pesado de 4" (10,2 cm) y abrazaderas. Los productos de ventilación DURASAFE™ son recomendables.



Ducto de escape de metal pesado de 4" (10,2 cm)

Los productos de ventilación DURASAFE™ pueden adquirirse con su distribuidor o llamando a Whirlpool Parts and Accessories (Piezas y accesorios de Whirlpool). Para obtener más información, vea la sección "Ayuda o servicio técnico" en las Instrucciones para el usuario de la secadora.

##### **Ducto de escape de metal rígido**

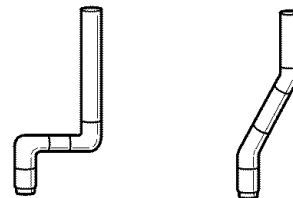
- Para un óptimo rendimiento de secado, se recomiendan ductos de escape de metal rígido.
- Se recomienda el ducto de escape de metal rígido para evitar que se aplaste o se tuerza.

##### **Ducto de escape de metal flexible**

- Los ductos de escape de metal flexible son aceptables únicamente si se puede acceder a los mismos para limpiarlos.
- El ducto de escape de metal flexible debe extenderse y sostenerse por completo cuando la secadora está en su ubicación final.
- Quite el exceso del ducto de metal flexible para evitar que se doble y se tuerza, lo cual podría dar lugar a una reducción del flujo de aire y a un rendimiento insuficiente.
- No instale el ducto de escape de metal flexible en paredes, techos o pisos encerrados.

##### **Codos**

Los codos de 45° proveen un mejor flujo de aire que los codos de 90°.

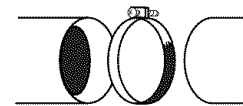


Bien

Mejor

##### **Abrazaderas**

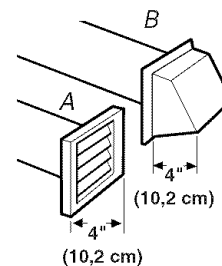
- Utilice abrazaderas para sellar todas las juntas.
- No debe conectarse ni asegurarse el ducto de escape con tornillos ni con ningún otro dispositivo que se extienda hacia el interior de dicho ducto. No utilice cinta adhesiva para conductos.



Abrazadera

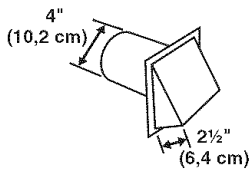
##### **Respiradero**

Los estilos recomendados de capotas de ventilación se ilustran aquí.



A. Estilo de capota con ventilación tipo persiana  
B. Estilo de capota con ventilación tipo caja

El estilo de capota de ventilación angular (que se ilustra aquí) es aceptable.



- Una capota de ventilación debe tapar el ducto de escape para evitar el ingreso de roedores e insectos a la casa.
- La capota de ventilación debe estar por lo menos a 12" (30,5 cm) de distancia del piso o de cualquier objeto que pudiese estar en el trayecto del ducto de escape (como flores, rocas o arbustos, límite de nieve, etc).
- No use capotas de ventilación con pestillos magnéticos.

**La ventilación inadecuada puede ocasionar la acumulación de humedad y pelusa en la casa, lo cual puede dar como resultado:**

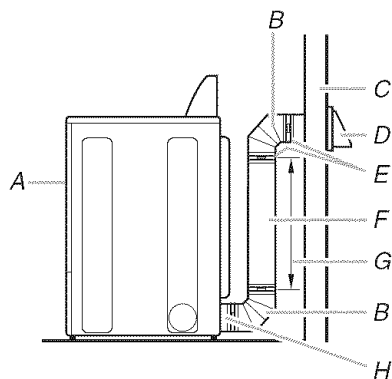
- Daños de humedad en la carpintería, muebles, pintura, empapelado, alfombras, etc.
- Problemas en la limpieza de la casa y de salud.

## Planificación del sistema de ventilación

### Seleccione su tipo de instalación de ventilación

#### Instalaciones recomendadas de escape

Las instalaciones típicas tienen la ventilación en la parte posterior de la secadora. Otras instalaciones son posibles.



- A. Secadora
- B. Codo
- C. Pared
- D. Capota de ventilación
- E. Abrazaderas

- F. Ducto de escape de metal rígido o ducto de escape de metal flexible
- G. Longitud necesaria del ducto de escape para conectar los codos
- H. Salida de ventilación

#### Instalaciones opcionales de escape

El sistema de ventilación de esta secadora puede modificarse hacia el lado derecho, el lado izquierdo o por la parte inferior. Si lo prefiere, póngase en contacto con su distribuidor local para hacer convertir su secadora.

## ⚠ ADVERTENCIA



### Peligro de Incendio

Cubra los orificios de escape con uno de los juegos siguientes:

279818 (blanco)

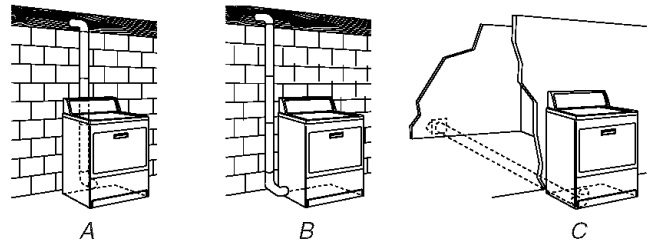
279819 (marfil/almendra)

279915 (grafito)

279925 (bisque)

Comuníquese con su distribuidor local.

No seguir estas instrucciones puede ocasionar la muerte, incendio, choque eléctrico, o lesiones graves.



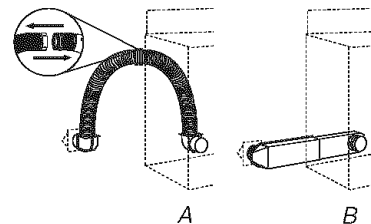
A. Instalación estándar con ventilación en la parte posterior y desviación

B. Instalación de ventilación lateral a la izquierda o a la derecha

C. Instalación con ventilación inferior

#### Instalaciones alternas para espacios limitados

Los sistemas de ventilación vienen en una amplia gama. Seleccione el tipo más apropiado para su instalación. A continuación se ilustran dos tipos de instalación para espacios limitados. Consulte las instrucciones del fabricante.



A. Instalación en la parte superior (también está disponible con un codo de desviación)

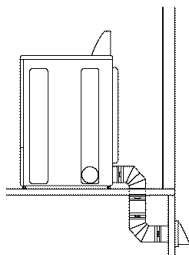
B. Instalación de periscopio

**NOTA:** Se pueden adquirir los siguientes juegos para instalaciones alternas en espacios limitados. Para pedir las piezas, sírvase referirse a la sección "Ayuda o servicio técnico" de las Instrucciones para el usuario de la secadora.

- Instalación en la parte superior:  
Pieza número 4396028
- Instalación de periscopio (Para usar si hay desacoplo entre el ducto de escape de la pared y el ducto de escape de la secadora):  
Pieza número 4396037 – Desacoplo de 0" (0 cm) a 18" (45,72 cm)  
Pieza número 4396011 – Desacoplo de 18" (45,72 cm) a 29" (73,66 cm)  
Pieza número 4396014 – Desacoplo de 29" (73,66 cm) a 50" (127 cm)

#### Previsiones especiales para las instalaciones en casas rodantes

El ducto de escape deberá sujetarse firmemente en un lugar no inflamable de la estructura de la casa rodante y no debe terminar debajo de la casa rodante. El ducto de escape debe terminar en el exterior.



#### Determinación de la vía del ducto de escape

- Seleccione la vía que proporcione el trayecto más recto y directo al exterior.
- Planifique la instalación a fin de usar el menor número posible de codos y vueltas.
- Cuando use los codos o haga vueltas, deje todo el espacio que sea posible.
- Doble el ducto gradualmente para evitar torceduras.
- Use la menor cantidad posible de vueltas de 90°.

#### Determinación de la longitud del ducto de escape y de los codos necesarios para obtener un óptimo rendimiento de secado

- Use el cuadro del sistema de ventilación a continuación para determinar el tipo de material para ducto y la combinación de capota aceptable a usar.
- **NOTA:** No use tendidos de ducto de escape más largos que los especificados en el cuadro del sistema de ventilación. Los sistemas de ventilación más largos que los especificados:
  - Acortarán la vida de la secadora.
  - Reducirán el rendimiento, dando lugar a tiempos de secado más largos y un aumento en el consumo de energía.

El cuadro del sistema de ventilación indica los requisitos de ventilación que le ayudarán a alcanzar el mejor rendimiento de secado.

#### Cuadro del sistema de ventilación

**NOTA:** Las instalaciones de ventilación laterales e inferiores tienen una vuelta de 90° dentro de la secadora. Para determinar la longitud máxima de ventilación, agregue una vuelta de 90° al cuadro.

| No. de vueltas de 90° o codos | Tipo de ducto                                | Capotas de ventilación de caja o tipo persianas | Capotas angulares                   |
|-------------------------------|--|---|-------------------------------------|
| 0                             | <b>Metal rígido</b><br><b>Metal flexible</b> | 64 pies (20 m)<br>36 pies (11 m)                | 58 pies (17,7 m)<br>28 pies (8,5 m) |
| 1                             | <b>Metal rígido</b><br><b>Metal flexible</b> | 54 pies (16,5 m)<br>31 pies (9,4 m)             | 48 pies (14,6 m)<br>23 pies (7 m)   |
| 2                             | <b>Metal rígido</b><br><b>Metal flexible</b> | 44 pies (13,4 m)<br>27 pies (8,2 m)             | 38 pies (11,6 m)<br>19 pies (5,8 m) |
| 3                             | <b>Metal rígido</b><br><b>Metal flexible</b> | 35 pies (10,7 m)<br>25 pies (7,6 m)             | 29 pies (8,8 m)<br>17 pies (5,2 m)  |
| 4                             | <b>Metal rígido</b><br><b>Metal flexible</b> | 27 pies (8,2 m)<br>23 pies (7 m)                | 21 pies (6,4 m)<br>15 pies (4,6 m)  |

#### Instalación del sistema de ventilación

1. Instale la capota de ventilación. Emplee una masilla de calafateo para sellar la abertura de la pared externa alrededor de la capota de ventilación.
2. Conecte el ducto de escape a la capota de ventilación. El ducto de escape debe encajar dentro de la capota de ventilación. Asegure el ducto de escape a la capota de ventilación con una abrazadera de 4" (10,2 cm).
3. Extienda el ducto de escape a la ubicación de la secadora. Use la trayectoria más recta posible. Vea "Determinación de la vía del ducto de escape" en "Planificación del sistema de ventilación". Evite giros de 90°. Use abrazaderas para sellar todas las juntas. No use cinta adhesiva para conductos, tornillos ni otros dispositivos de fijación que se extiendan dentro del ducto de escape, para fijar el mismo.

#### Instalación de las patas niveladoras

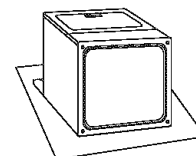
### ⚠ ADVERTENCIA

#### Peligro de Peso Excesivo

Use dos o más personas para mover e instalar la secadora.

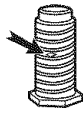
No seguir esta instrucción puede ocasionar una lesión en la espalda u otro tipo de lesiones.

1. Para proteger el piso, use un pedazo de cartón grande y plano del embalaje de la secadora. Coloque el cartón debajo de todo el borde posterior de la secadora.
2. Sujete con firmeza el cuerpo de la secadora (no la parte superior o el panel de la consola). Coloque la secadora cuidadosamente sobre el cartón. Vea la ilustración.





3. Examine las patas niveladoras. Localice la marca en forma de diamante.



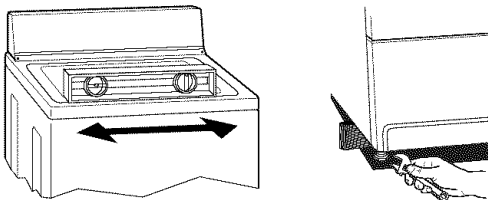
4. Atornille con la mano las patas en los orificios de las patas. Use una llave de tuercas para terminar de atornillar las patas hasta que la marca en forma de diamante no quede visible.
5. Coloque un esquinale de cartón del empaque de la secadora debajo de cada una de las 2 esquinas posteriores de la secadora. Ponga la secadora de pie. Deslice la secadora sobre los postes esquinales hasta que quede cerca de su ubicación final. Deje suficiente espacio para conectar el ducto de escape.

### Conexión del ducto de escape

1. Usando una abrazadera de 4" (10,2 cm), conecte el ducto de escape a la salida de aire de la secadora. Si se conecta a un ducto de escape existente, asegúrese de que el mismo esté limpio. El ducto de escape de la secadora debe encajar sobre la salida de aire de la secadora y dentro de la capota de ventilación. Cerciórese de que el ducto de escape esté asegurado a la capota de ventilación con una abrazadera de 4" (10,2 cm).
2. Mueva la secadora a su posición final. No aplaste ni retuerza el ducto de escape.
3. (En modelos a gas) Asegúrese de que no hayan torceduras en la línea de gas flexible.
4. Una vez que la conexión del ducto de escape esté lista, quite los esquinales y el cartón.

### Nivelación de la secadora

Revise la nivelación de la secadora. Verifique primero de lado a lado y luego del frente hacia atrás.



Si la secadora no está nivelada, apunte la secadora, usando un bloque de madera. Use una llave de tuercas para regular las patas hacia arriba o hacia abajo y verifique nuevamente si la secadora está nivelada.

### Complete la instalación

1. Revise para cerciorarse de que todas las piezas estén instaladas. Si hay alguna pieza extra, vuelva a revisar todos los pasos para ver cuál se omitió.
2. Verifique si tiene todas las herramientas.
3. Deshágase de todos los materiales de embalaje o recíclelos.
4. Revise la localización final de la secadora. Asegúrese de que el ducto de escape no esté aplastado o retorcido.
5. Verifique si la secadora está nivelada. Vea "Nivelación de la secadora".
6. Para una instalación con cable de suministro de energía, enchufe en un contacto de conexión a tierra. Para una instalación con cableado directo, encienda el suministro de energía.
7. Quite la película protectora azul que está en la consola y cualquier cinta adhesiva que haya quedado en la secadora.
8. Lea "Uso de la secadora" en las Instrucciones para el usuario de la secadora.
9. Limpie el interior del tambor de la secadora meticulosamente con un paño húmedo para quitar residuos de polvo.
10. Fije la secadora en un ciclo completo de calor (no en un ciclo de aire) por 20 minutos y póngala en marcha.

#### Si la secadora no funciona, revise lo siguiente:

- Que los controles estén fijados en una posición de funcionamiento o encendido ("On").
  - Que se ha presionado con firmeza el botón de puesta en marcha.
  - Que la secadora esté conectada en un contacto contacto y/o el suministro de energía eléctrica está encendido.
  - Que el fusible de la casa esté intacto y ajustado, o que no se haya disparado el cortacircuitos.
  - Que la puerta de la secadora esté cerrada.
11. Después de que la secadora haya estado funcionando durante 5 minutos, abra la puerta y fíjese si está caliente. Si siente calor, cancele el ciclo y cierre la puerta.

#### Si no está caliente, apague la secadora y revise lo siguiente:

- Posiblemente hayan 2 fusibles o disyuntores domésticos para la secadora. Revise para asegurarse de que ambos fusibles estén intactos y ajustados, o que ambos disyuntores no se hayan disparado. Si después de esto todavía no calienta, póngase en contacto con un técnico competente.

**NOTA:** Cuando caliente la secadora por primera vez quizás sienta un olor a quemado. Este olor es común cuando se usa por primera vez el elemento de calefacción. El olor desaparecerá.

# INSTRUCTIONS POUR L'INSTALLATION DE LA SÈCHEUSE ÉLECTRIQUE DE 27" (69 CM)

## SÉCURITÉ DE LA SÈCHEUSE

### Votre sécurité et celle des autres est très importante.

Nous donnons de nombreux messages de sécurité importants dans ce manuel et sur votre appareil ménager. Assurez-vous de toujours lire tous les messages de sécurité et de vous y conformer.



Voici le symbole d'alerte de sécurité.

Ce symbole d'alerte de sécurité vous signale les dangers potentiels de décès et de blessures graves à vous et à d'autres.

Tous les messages de sécurité suivront le symbole d'alerte de sécurité et le mot "DANGER" ou "AVERTISSEMENT". Ces mots signifient :

**⚠ DANGER**

Risque possible de décès ou de blessure grave si vous ne suivez pas immédiatement les instructions.

**⚠ AVERTISSEMENT**

Risque possible de décès ou de blessure grave si vous ne suivez pas les instructions.

Tous les messages de sécurité vous diront quel est le danger potentiel et vous disent comment réduire le risque de blessure et ce qui peut se produire en cas de non-respect des instructions.

## INSTRUCTIONS D'INSTALLATION

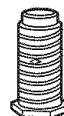
### Outillage et pièces

Rassembler les outils et pièces nécessaires avant de commencer l'installation. Lire et suivre les instructions fournies avec les outils indiqués ici.

- Tournevis à lame plate
- Tournevis Phillips n° 2
- Clé à molette avec ouverture jusqu'à 1" (2,5 cm) ou clé à douille hexagonale (pour ajuster les pieds de la sècheuse)
- Niveau
- Cisaille de ferblantier (pour l'installation d'un nouveau conduit)
- Clapets d'évacuation
- Pistolet à calfeutrage et composé de calfeutrage (pour l'installation d'un nouveau circuit d'évacuation)
- Mètre ruban

### Pièces fournies :

Retirer le sachet de pièces du tambour de la sècheuse. Vérifier que toutes les pièces de la liste sont présentes.



4 pieds de nivellement

### Pièces nécessaires :

Consulter les codes locaux, vérifier l'alimentation électrique et le circuit d'évacuation existants, et consulter les sections "Spécifications électriques" et "Exigences concernant l'évacuation" avant d'acheter les pièces nécessaires.

Les installations pour maison mobile nécessitent un système d'évacuation en métal qui peut être acheté chez le marchand chez qui vous avez acheté votre sècheuse. Pour plus d'information, veuillez consulter la section "Assistance ou service" des "Instructions d'utilisation de la sècheuse".

## Exigences d'emplacement

### ⚠ AVERTISSEMENT



#### Risque d'explosion

Garder les matières et les vapeurs inflammables, telle que l'essence, loin de la sècheuse.

Placer la sècheuse au moins 46 cm (18 po) au-dessus du plancher pour une installation dans un garage.

Le non-respect de ces instructions peut causer un décès, une explosion ou un incendie.

#### On a besoin de

- Un emplacement qui permettra d'installer correctement un conduit d'évacuation. Voir "Exigences concernant l'évacuation".
- Un circuit séparé de 30 ampères.
- Une prise électrique avec liaison à la terre située à moins de 2 pi (61 cm) de l'un des côtés de la sècheuse. Voir "Spécifications électriques".
- Un plancher robuste capable de supporter le poids total (sècheuse et charge) de 200 lb (90,7 kg). Le poids combiné d'un appareil voisin doit également être pris en compte.
- Un plancher horizontal avec une pente maximale de 1" (2,5 cm) sous l'ensemble de la sècheuse. (Si la pente est supérieure à 1" [2,5 cm], installer l'ensemble de pieds d'extension n° de pièce 279810.) Si la sècheuse n'est pas d'aplomb, le linge peut ne pas culbutter convenablement et les programmes commandés par des détecteurs automatiques peuvent ne pas fonctionner correctement.

Ne pas faire fonctionner la sècheuse à une température inférieure à 45°F (7°C). À des températures inférieures, la sècheuse risque de ne plus s'arrêter à la fin d'un programme automatique. Les temps de séchage risquent alors d'augmenter.

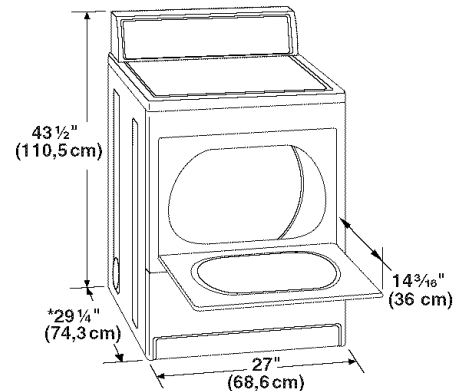
La sècheuse ne doit pas être installée ou remise dans un endroit où elle sera exposée à l'eau et/ou aux intempéries.

Vérifier les règlements locaux. Certains codes limitent ou n'autorisent pas l'installation des sècheuses dans un garage, un placard, une maison mobile ou une chambre à coucher. Communiquer avec l'inspecteur des bâtiments local.

#### Espacements d'installation

L'emplacement doit être assez grand pour permettre d'ouvrir complètement la porte de la sècheuse.

#### Dimensions de la sècheuse

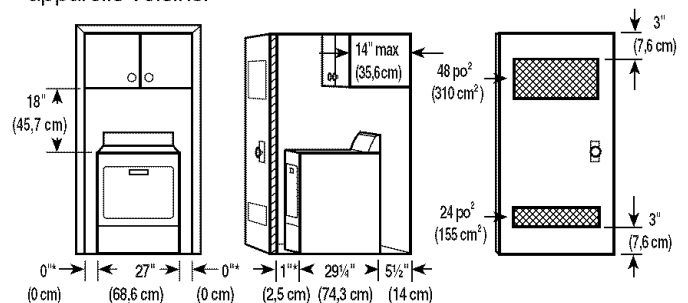


\*La plupart des installations requièrent un espace minimum de 5 1/2" (14 cm) derrière la sècheuse pour le conduit d'évacuation avec coude. Voir "Exigences concernant l'évacuation".

#### Espacement minimum pour une installation dans un encastrement ou dans un placard

Les dimensions suivantes sont pour l'espace minimal accordé.

- On prévoira un peu plus d'espace pour faciliter l'installation et l'entretien.
- Un espace supplémentaire peut être requis pour les moulures de porte et de plancher et pour les plinthes.
- Un espace supplémentaire de 1" (2,5 cm) de tous les côtés de la sècheuse est recommandé pour réduire le transfert du bruit.
- Si une porte de placard est installée, on doit prévoir des orifices d'entrée d'air en haut et en bas de la porte. Les portes à claire-voie offrant une surface équivalente de passage de l'air sont acceptables.
- Il faut aussi prendre en compte l'espace requis entre les appareils voisins.



A. Encastrement

B. Vue latérale - placard ou endroit exigu

C. Porte du placard avec orifices d'entrée d'air

\*Espace supplémentaire recommandé

#### Autre exigences concernant l'installation dans une maison mobile

Cette sècheuse peut être installée dans une maison mobile. L'installation doit être conforme à la norme canadienne sur les maisons préfabriquées CAN/CSA-Z240 MH.

#### L'installation dans une maison mobile exige :

- Un système d'évacuation en métal qui peut être acheté de votre marchand.
- Il faut prendre des dispositions spéciales pour l'apport d'air de l'extérieur dans la sècheuse lors d'une installation dans une maison mobile. La surface de toute ouverture pour l'apport d'air extérieur (telle qu'une fenêtre à proximité) devrait être au moins deux fois plus grande que l'ouverture de décharge de la sècheuse.

## Spécifications électriques

### ⚠ AVERTISSEMENT



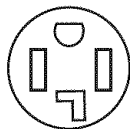
#### Risque de choc électrique

**Brancher sur une prise à 4 alvéoles reliée à la terre.**

**Le non-respect de cette instruction peut causer un décès ou un choc électrique.**

#### C'est à l'utilisateur qu'incombe la responsabilité de

- Communiquer avec un électricien qualifié.
- S'assurer que les connexions électriques sont adéquates et conformes au Code canadien d'électricité, C22.1 - dernière édition et à tous les codes locaux. Pour obtenir un exemplaire de la norme des codes ci-dessus, contacter : Association canadienne de normalisation, 178 Rexdale Blvd., Toronto, ON M9W 1R3 CANADA.
- Alimenter l'appareil uniquement par un circuit monophasé de 120/240 volts CA, 60 Hz à 4 fils, sur un circuit séparé de 30 ampères, fusionné aux deux extrémités de la ligne. On recommande l'emploi d'un fusible temporisé ou disjoncteur. On recommande également que cet appareil soit alimenté par un circuit indépendant.
- Cette sècheuse est équipée d'un cordon électrique homologué par la CSA International à introduire dans une prise murale standard 14-30R. Le cordon mesure 5 pi (1,52 m). Veiller à ce que la prise murale se trouve à proximité de l'emplacement définitif de la sècheuse.



Prise murale à 4 fils 14-30R

- Ne pas utiliser de cordon de rallonge.

Si on utilise un cordon d'alimentation de rechange, il est recommandé d'utiliser le cordon d'alimentation de rechange numéro de pièce 3394208. Pour plus d'information, veuillez consulter les numéros de service qui se trouvent dans les "Instructions d'utilisation de la sècheuse".

#### INSTRUCTIONS DE LIAISON À LA TERRE

- Pour une sècheuse reliée à la terre et connectée par un cordon :

Cette sècheuse doit être reliée à la terre. En cas de mauvais fonctionnement ou de panne, la liaison à la terre réduira le risque de choc électrique en offrant au courant électrique un acheminement d'évacuation de moindre résistance. Cette sècheuse est alimentée par un cordon électrique comportant un conducteur relié à la terre et une fiche de branchement munie d'une broche de liaison à la terre. La fiche doit être branchée sur une prise appropriée qui est bien installée et reliée à la terre conformément à tous les codes et règlements locaux.

**AVERTISSEMENT :** Le raccordement incorrect de cet appareil au conducteur de liaison à la terre peut susciter un risque de choc électrique. En cas de doute quant à la qualité de liaison à la terre de la sècheuse, consulter un électricien ou un technicien ou un personnel qualifié. Ne pas modifier la fiche de branchement fournie avec la sècheuse; si la fiche ne correspond pas à la configuration de la prise de courant, demander à un électricien qualifié d'installer une prise de courant appropriée.

#### CONSERVEZ CES INSTRUCTIONS

## Exigences concernant l'évacuation

### ⚠ AVERTISSEMENT



#### Risque d'incendie

- Utiliser un conduit d'évacuation en métal lourd.**
- Ne pas utiliser un conduit d'évacuation en plastique.**
- Ne pas utiliser un conduit d'évacuation en feuille de métal.**
- Le non-respect de ces instructions peut causer un décès ou un incendie.**

**AVERTISSEMENT :** Pour réduire le risque d'incendie, cette sècheuse doit ÉVACUER L'AIR À L'EXTÉRIEUR.

**IMPORTANT :** Observer les dispositions de tous les codes et règlements en vigueur.

Le conduit d'évacuation de la sècheuse ne doit pas être connecté à une évacuation de gaz, une cheminée, un mur, un plafond ou un vide de construction.

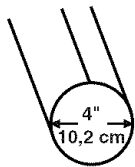
### En cas d'utilisation du système d'évacuation existant

- Éliminer la charpie sur toute la longueur du système et veiller à ce que le clapet de décharge ne soit pas obstrué par une accumulation de charpie.
- Remplacer tout conduit de plastique ou de feuille métallique par un conduit de métal lourd rigide ou souple.
- Examiner le tableau de longueur du conduit d'évacuation. Apporter les modifications nécessaires au système d'évacuation pour atteindre le meilleur rendement de séchage.

### En cas de nouveau système d'évacuation

#### Matériel pour l'évacuation

- Utiliser un conduit d'évacuation en métal lourd. Ne pas utiliser un conduit de plastique ou en feuille métallique.
- Utiliser un conduit d'évacuation en métal lourd de 4" (10,2 cm) et des brides de serrage. Les produits d'évacuation DURASAFE™ sont recommandés.



Conduit d'évacuation en métal lourd de 4" (10,2 cm)

On peut se procurer les produits d'évacuation DURASAFE™ auprès du marchand ou en téléphonant à Pièces et accessoires Whirlpool. Pour plus de renseignements, voir la section "Assistance ou service" dans les Instructions pour l'utilisateur de la sècheuse.

#### Conduit métallique rigide

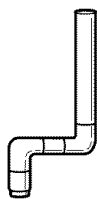
- Pour un meilleur rendement de séchage, on recommande d'utiliser des conduits métalliques rigides.
- On recommande d'utiliser un conduit métallique rigide pour réduire les risques d'écrasement et de déformation.

#### Conduit métallique flexible

- Les conduits métalliques flexibles sont acceptables seulement dans la mesure où ils sont accessibles en vue du nettoyage.
- Un conduit métallique flexible doit être totalement déployé et soutenu lorsque la sècheuse est à sa position finale.
- Enlever tout excès de conduit flexible pour éviter tout affaissement ou déformation susceptible de réduire la capacité d'évacuation et le rendement.
- Ne pas installer le conduit métallique flexible dans les cavités fermées des murs, plafonds ou planchers.

#### Coudes

Les coudes à 45° permettent une meilleure circulation de l'air que les coudes à 90°.



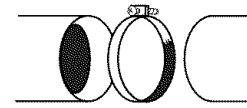
Bon



Meilleur

### Brides de serrage

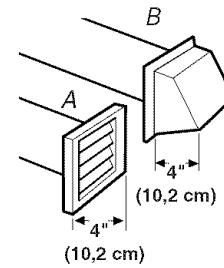
- Utiliser des brides pour sceller tous les joints.
- Le conduit d'évacuation ne doit pas être connecté ou fixé avec des vis ou avec tout autre dispositif de serrage qui se prolonge à l'intérieur du conduit. Ne pas utiliser de ruban adhésif pour conduit.



Bride de serrage

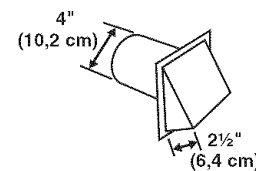
### Évacuation

Les styles de clapets recommandés sont illustrés ci-dessous.



A. Clapet à persiennes  
B. Clapet de type boîte

Le clapet incliné de type boîte ci-dessous est acceptable.



- Terminer le conduit d'évacuation par un clapet de décharge pour empêcher les rongeurs et insectes d'entrer dans l'habitation.
- Le clapet de décharge doit être situé à au moins 12" (30,5 cm) au-dessus du sol ou de tout autre objet susceptible de se trouver sur le trajet de l'air humide rejeté (par exemple, fleurs, roches ou arbustes, limite de la neige, etc.)
- Ne pas utiliser un clapet d'évacuation à fermeture magnétique.

#### Une mauvaise évacuation de l'air peut causer de l'humidité et une accumulation de charpie à l'intérieur de la maison qui peut causer :

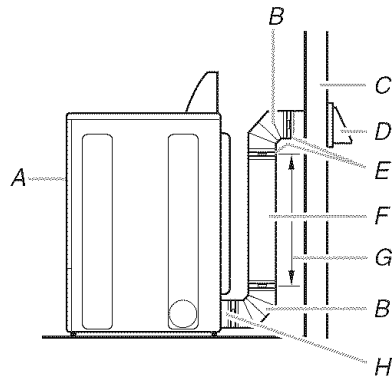
- Dommages par l'humidité aux boiseries, meubles, peinture, papier-peint, tapis, etc.
- Problèmes de nettoyage dans la maison et problèmes de santé.

## Planification du système d'évacuation

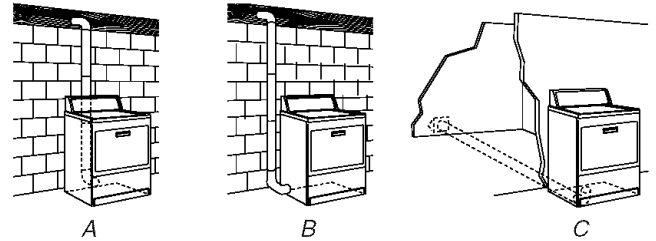
### Choisir un type de système d'évacuation

#### Installations d'évacuation recommandées

Les installations typiques consistent à acheminer le conduit d'évacuation à l'arrière de la sècheuse. D'autres installations sont possibles.



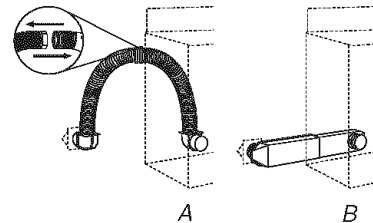
- |                       |   |
|-----------------------|---|
| A. Sècheuse           | F. Conduit métallique rigide ou souple                      |
| B. Coude              | G. Longueur de conduit nécessaire pour raccorder les coudes |
| C. Mur                | H. Bouche de décharge                                       |
| D. Clapet de décharge |   |
| E. Brides             |   |



- A. Acheminement standard décalé du conduit d'évacuation par l'arrière  
 B. Acheminement du conduit d'évacuation par la gauche ou par la droite  
 C. Acheminement du conduit d'évacuation par le bas

#### Autres installations où le dégagement est réduit

Il existe de nombreux types de systèmes d'évacuation. Choisir le type qui convient le mieux à l'installation. Deux installations à dégagement réduit sont illustrées. Voir les instructions du fabricant.



- A. Installation au-dessus de la sècheuse (aussi disponible avec un coude décalé)  
 B. Installation de périscope

#### Installations facultatives d'évacuation

Cette sècheuse peut être convertie pour un système d'évacuation par le côté droit, le côté gauche ou par la base. Contactez votre marchand local pour faire convertir la sècheuse.

## ⚠ AVERTISSEMENT



### Risque d'incendie

Recouvrir tous les orifices d'évacuation non utilisés avec l'une des trouses suivantes :

- 279818 (blanche)
- 279819 (amande)
- 279915 (graphite)
- 279925 (bisque)

Contactez votre marchand local.

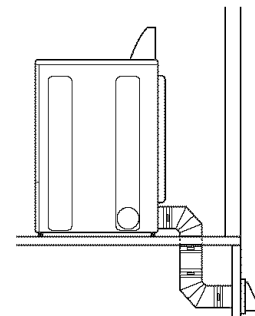
Le non-respect de ces instructions peut causer un décès, un incendie, un choc électrique ou une blessure grave.

**REMARQUE :** On peut acheter les trouses suivantes pour les installations où le dégagement est réduit. Veuillez consulter la section "Assistance ou service" dans les Instructions pour l'utilisateur de la sècheuse.

- Installation au-dessus de la sècheuse :  
Pièce numéro 4396028
- Installation de périscope (pour l'utilisation en cas de non-concordance de la bouche de décharge de la sècheuse avec le clapet) :  
Pièce numéro 4396037 - 0" (0 cm) à 18" (45,72 cm) de décalage  
Pièce numéro 4396011 - 18" (45,72 cm) à 29" (73,66 cm) de décalage  
Pièce numéro 4396014 - 29" (73,66 cm) à 50" (127 cm) de décalage

#### Dispositions spéciales pour les installations dans une maison mobile

Le système d'évacuation doit être solidement fixé à une section non combustible de la structure de la maison mobile et ne doit pas se terminer en-dessous de la maison mobile. Faire en sorte que le système d'évacuation se termine à l'extérieur.



### Déterminer l'itinéraire d'acheminement du conduit

- Choisir l'itinéraire d'acheminement vers l'extérieur qui sera le plus direct et le plus rectiligne.
- Planifier l'installation pour introduire le nombre minimal de coudes et de changements de direction.
- Si des coudes ou des changements de direction sont utilisés, prévoir autant d'espace que possible.
- Plier le conduit graduellement pour éviter de le déformer.
- Utiliser le moins possible de changements de direction à 90°.

### Déterminer la longueur du conduit et les coudes nécessaires pour la meilleure performance de séchage

- Utiliser le tableau des systèmes d'évacuation ci-dessous pour déterminer le type de matériel à utiliser pour le conduit et les combinaisons de clapet acceptables.

**REMARQUE :** Ne pas utiliser un conduit de longueur supérieure à la valeur spécifiée dans le tableau des systèmes d'évacuation. Si la longueur du circuit est supérieure à la valeur spécifiée dans le tableau, on observera :

- Une réduction de la longévité de la sècheuse.
- Une réduction du rendement, avec temps de séchage plus longs et une plus grande consommation d'énergie.

Le tableau des systèmes d'évacuation fournit les exigences d'évacuation qui vous aideront à atteindre la meilleure performance de séchage.

#### Tableau des systèmes d'évacuation

**REMARQUE :** Les installations d'évacuation du conduit par le côté ou par le bas comportent un changement de direction à 90° à l'intérieur de la sècheuse. Pour établir la longueur maximale du conduit, ajouter un changement de direction à 90° au tableau.

| Nombre de changements de direction à 90° ou coudes | Type de conduit   | Clapets de type boîte ou à persiennes | Clapets inclinés |
|--|-------------------|---------------------------------------|------------------|
| 0  | Métallique rigide | 64 pi (20 m)                          | 58 pi (17,7 m)   |
|  | Métallique souple | 36 pi (11 m)                          | 28 pi (8,5 m)    |
| 1  | Métallique rigide | 54 pi (16,5 m)                        | 48 pi (14,6 m)   |
|  | Métallique souple | 31 pi (9,4 m)                         | 23 pi (7 m)      |
| 2  | Métallique rigide | 44 pi (13,4 m)                        | 38 pi (11,6 m)   |
|  | Métallique souple | 27 pi (8,2 m)                         | 19 pi (5,8 m)    |
| 3  | Métallique rigide | 35 pi (10,7 m)                        | 29 pi (8,8 m)    |
|  | Métallique souple | 25 pi (7,6 m)                         | 17 pi (5,2 m)    |
| 4  | Métallique rigide | 27 pi (8,2 m)                         | 21 pi (6,4 m)    |
|  | Métallique souple | 23 pi (7 m)                           | 15 pi (4,6 m)    |

### Installation du système d'évacuation

1. Installer le clapet d'évacuation. Calfeutrer au pistolet l'ouverture murale à l'extérieur autour du clapet d'évacuation.
2. Raccorder le conduit d'évacuation au clapet. Le conduit doit être inséré à l'intérieur du clapet. Fixer ensemble le conduit et le clapet avec une bride de 4" (10,2 cm).
3. Acheminer le conduit d'évacuation jusqu'à l'emplacement de la sècheuse. Utiliser l'itinéraire le plus rectiligne possible. Voir "Déterminer l'itinéraire d'acheminement du conduit" dans "Planification du système d'évacuation". Éviter les changements de direction à 90°. Utiliser des brides pour sceller tous les joints. Ne pas utiliser de ruban adhésif pour conduit, des vis ou autres dispositifs de fixation qui se prolongent à l'intérieur du conduit pour fixer celui-ci.

### Installation des pieds de nivellement

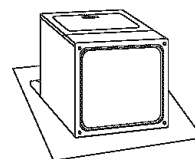
## ⚠ AVERTISSEMENT

#### Risque du poids excessif

Utiliser deux ou plus de personnes pour déplacer et installer la sècheuse.

Le non-respect de cette instruction peut causer une blessure au dos ou d'autre blessure.

1. Pour protéger le sol, utiliser un grand morceau de l'emballage en carton de la sècheuse. Placer le carton sous le bord arrière de la sècheuse.
2. Saisir fermement la sècheuse par la caisse (ni par le dessus ni par le panneau de commande). Déposer délicatement la sècheuse sur le carton. Voir l'illustration.



3. Examiner les pieds de nivellement. Trouver le symbole de repérage (losange).



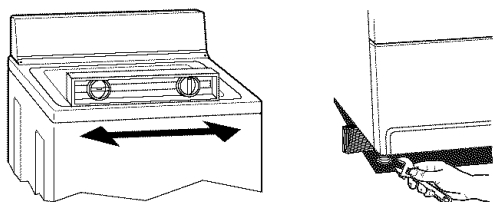
4. Engager manuellement les vis des pieds dans les trous. Utiliser une clé à molette pour visser les pieds jusqu'à ce que le symbole de repérage (losange) ne soit plus visible.
5. Placer une cornière de carton provenant de l'emballage de la sècheuse sous chacun des 2 coins arrière de la sècheuse. Redresser la sècheuse. Faire glisser la sècheuse sur les cornières près de son emplacement définitif. Laisser suffisamment d'espace pour connecter le conduit d'évacuation.

## Raccordement du conduit d'évacuation

1. À l'aide d'une bride de fixation de 4" (10,2 cm), relier le conduit d'évacuation à la bouche d'évacuation de la sècheuse. Si on utilise un système d'évacuation existant, s'assurer qu'il est propre. Le conduit d'évacuation de la sècheuse doit être fixé sur la bouche d'évacuation de la sècheuse et dans le clapet d'évacuation. S'assurer que le conduit d'évacuation est fixé au clapet d'évacuation à l'aide d'une bride de fixation de 4" (10,2 cm).
2. Placer la sècheuse à son emplacement final. Ne pas écraser ni déformer le conduit d'évacuation.
3. (Sur les modèles à gaz) Vérifier que le tuyau de gaz flexible n'est pas déformé ou écrasé.
4. Une fois que le conduit d'évacuation est raccordé, retirer les cornières et le carton.

## Mise à niveau de la sècheuse

Contrôler l'aplomb de la sècheuse. Contrôler l'aplomb tout d'abord transversalement, puis dans le sens avant/arrière.



Si la sècheuse n'est pas de niveau, la déposer sur un bloc de bois. Utiliser une clé à molette pour ajuster les pieds vers le haut ou vers le bas, et vérifier à nouveau si elle est de niveau.

## Achever l'installation

1. Vérifier que toutes les pièces sont installées. S'il reste une pièce, passer en revue les différentes étapes pour découvrir laquelle aurait été oubliée.
2. S'assurer d'avoir tout l'outillage nécessaire.
3. Jeter ou recycler tout le matériel d'emballage.
4. Vérifier l'emplacement définitif de la sècheuse. S'assurer que le conduit d'évacuation n'est pas écrasé ou déformé.

5. Vérifier que la sècheuse est de niveau. Voir "Mise à niveau de la sècheuse".

## ⚠ AVERTISSEMENT



### Risque de choc électrique

**Brancher sur une prise à 4 alvéoles reliée à la terre.**

**Le non-respect de cette instruction peut causer un décès ou un choc électrique.**

6. Brancher sur une prise à 4 alvéoles reliée à la terre. Mettre le courant.
7. Retirer la pellicule de protection bleue sur le panneau de commande et le ruban resté sur la sècheuse.
8. Lire "Utilisation de la sècheuse" dans les Instructions pour l'utilisateur de la sècheuse.
9. Essuyer soigneusement le tambour de la sècheuse avec un chiffon humide pour éliminer toute trace de poussière.
10. Régler la sècheuse sur un programme de séchage complet (pas le programme de séchage sans chaleur) de 20 minutes et mettre la sècheuse en marche.

### Si la sècheuse ne démarre pas, vérifier ce qui suit :

- Les commandes sont réglées à la position de marche ou "On".
  - Le bouton Start (mise en marche) a été enfoncé fermement.
  - La sècheuse est branchée sur une prise reliée à la terre.
  - L'alimentation électrique est connectée.
  - Les fusibles du domicile sont intacts et serrés, ou le disjoncteur n'est pas déclenché.
  - La porte de la sècheuse est fermée.
11. Après 5 minutes de fonctionnement, ouvrir la porte de la sècheuse et voir s'il y a de la chaleur. En cas de chaleur, annuler le programme et fermer la porte.

### Si aucune chaleur n'est perceptible, désactiver la sècheuse et vérifier ce qui suit :

- Il peut y avoir 2 fusibles ou disjoncteurs pour la sècheuse. Vérifier que les 2 fusibles sont intacts et serrés ou que les deux disjoncteurs ne se sont pas déclenchés. S'il n'y a toujours pas de chaleur, contacter un technicien qualifié.

**REMARQUE :** Il est possible que la sècheuse dégage une odeur de brûlé lors du chauffage initial. Cette odeur est normale lorsque l'élément chauffant est utilisé pour la première fois. L'odeur disparaîtra.