



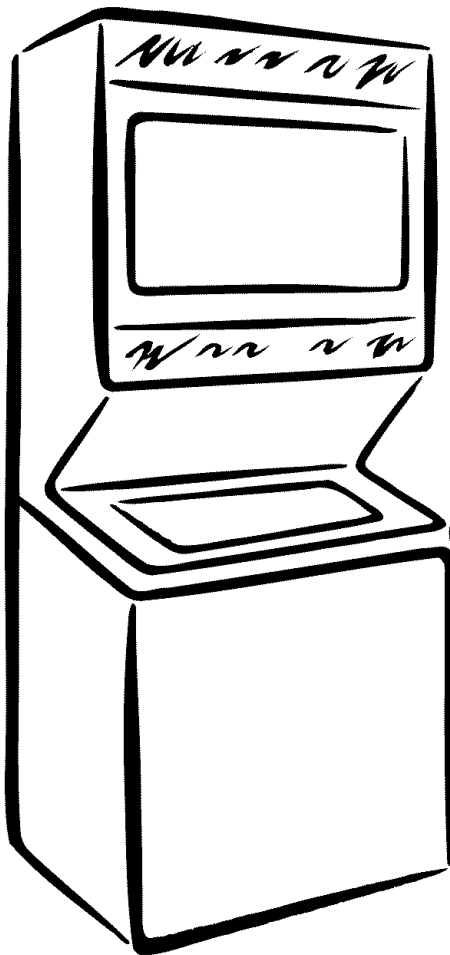
**24" (61 cm) Wide  
LAUNDRY CENTER  
Washer - Electric Dryer**

Use and Care Guide

**CENTRO DE LAVANDERÍA  
de 24" (61 cm) de ancho  
Lavadora - Secadora eléctrica**

Manual de Uso y Cuidado

Models/Modelos **110.** 80754, 88752



ENGLISH ESPAÑOL

# TABLE OF CONTENTS

PROTECTION AGREEMENTS.....	2
WARRANTY.....	3
WASHER/DRYER SAFETY .....	4
INSTALLATION INSTRUCTIONS .....	5
Tools and Parts .....	5
Alternate Parts.....	5
Location Requirements .....	6
Drain System .....	7
Electrical Requirements.....	7
Electrical Connection .....	9
Venting Requirements.....	14
Install Leveling Legs .....	15
Remove Foam Packing .....	15
Connect Drain Hose .....	15
Connect Inlet Hoses.....	16
Secure Drain Hose .....	16
Plan Vent System .....	17
Install Vent System.....	18
Level Laundry Center .....	18
Connect Vent.....	18
Complete Installation.....	18
WASHER USE .....	19
Starting Your Washer .....	19
Cycles .....	20
Rinse and Spin .....	20
Drain and Spin.....	20
Understanding Washer Cycles.....	21
Normal Sounds.....	21
LAUNDRY TIPS.....	21
Loading.....	21
DRYER USE .....	22
Starting Your Dryer.....	22
Stopping and Restarting .....	22
Loading.....	22
Drying, Cycle and Temperature Tips .....	23
Cycles .....	23
LAUNDRY CENTER CARE .....	24
Cleaning the Laundry Center Location .....	24
Cleaning Your Washer.....	24
Water Inlet Hoses .....	24
Cleaning the Lint Screen.....	24
Cleaning the Dryer Interior .....	25
Removing Accumulated Lint.....	25
Vacation, Storage and Moving Care.....	25
TROUBLESHOOTING WASHER .....	26
TROUBLESHOOTING DRYER.....	28

# PROTECTION AGREEMENTS

## Master Protection Agreements

Congratulations on making a smart purchase. Your new Kenmore® product is designed and manufactured for years of dependable operation. But like all products, it may require some maintenance or repair from time to time. That's when having a Master Protection Agreement can save you money and aggravation.

*Purchase a Master Protection Agreement now and protect yourself from unexpected hassle and expense.*

The Master Protection Agreement also helps extend the life of your new product. Here's what's included in the Agreement:

- ✓ **Expert service** by our 12,000 professional repair specialists
- ✓ **Unlimited service and no charge** for parts and labor on all covered repairs
- ✓ **"No-lemon" guarantee** – replacement of your covered product if four or more product failures occur within twelve months
- ✓ **Product replacement** if your covered product can't be fixed
- ✓ **Annual Maintenance Check** at your request – no extra charge
- ✓ **Fast help by phone** – phone support from a Sears technician on products requiring in-home repair, plus convenient repair scheduling
- ✓ **Power surge protection** against electrical damage due to power fluctuations
- ✓ **Rental reimbursement** if repair of your covered product takes longer than promised

Once you purchase the Agreement, a simple phone call is all that it takes for you to schedule service. You can call anytime day or night, or schedule a service appointment online.

Sears has over 12,000 professional repair specialists, who have access to over 4.5 million quality parts and accessories. That's the kind of professionalism you can count on to help prolong the life of your new purchase for years to come. Purchase your Master Protection Agreement today!

**Some limitations and exclusions apply. For prices and additional information, call 1-800-827-6655.**

## Sears Installation Service

For Sears professional installation of home appliances, garage door openers, water heaters, and other major home items, in the U.S.A. call **1-800-4-MY-HOME®**.

# KENMORE APPLIANCE WARRANTY

## ONE YEAR LIMITED WARRANTY

When installed, operated and maintained according to all instructions supplied with the product, if this appliance fails due to a defect in material or workmanship within one year from the date of purchase, call 1-800-4-MY-HOME® to arrange for free repair.

If this appliance is used for other than private family purposes, this warranty applies for only 90 days from the date of purchase.

### **THIS WARRANTY COVERS ONLY DEFECTS IN MATERIAL AND WORKMANSHIP. SEARS WILL NOT PAY FOR:**

1. Expendable items that can wear out from normal use, including but not limited to filters, belts, light bulbs, and bags.
2. A service technician to instruct the user in correct product installation, operation or maintenance.
3. A service technician to clean or maintain this product.
4. Damage to or failure of this product if it is not installed, operated or maintained according to all instructions supplied with the product.
5. Damage to or failure of this product resulting from accident, abuse, misuse or use for other than its intended purpose.
6. Damage to or failure of this product caused by the use of detergents, cleaners, chemicals or utensils other than those recommended in all instructions supplied with the product.
7. Damage to or failure of parts or systems resulting from unauthorized modifications made to this product.

## **DISCLAIMER OF IMPLIED WARRANTIES; LIMITATION OF REMEDIES**

Customer's sole and exclusive remedy under this limited warranty shall be product repair as provided herein. Implied warranties, including warranties of merchantability or fitness for a particular purpose, are limited to one year or the shortest period allowed by law. Sears shall not be liable for incidental or consequential damages. Some states and provinces do not allow the exclusion or limitation of incidental or consequential damages, or limitations on the duration of implied warranties of merchantability or fitness, so these exclusions or limitations may not apply to you.

This warranty applies only while this appliance is used in the United States and Canada.

This warranty gives you specific legal rights, and you may also have other rights which vary from state to state.

**Sears, Roebuck and Co.**  
**Dept. 817WA, Hoffman Estates, IL 60179**  
**Sears Canada Inc.**  
**Toronto, Ontario, Canada M5B 2B8**

## **PRODUCT RECORD**

In the space below, record your complete model number, serial number, and purchase date. You can find this information on the model and serial number label located on the product.

Have this information available to help you obtain assistance or service more quickly whenever you contact Sears concerning your appliance.

**Model number** \_\_\_\_\_

**Serial number** \_\_\_\_\_

**Purchase date** \_\_\_\_\_

**Save these instructions and your sales receipt for future reference.**

# WASHER/DRYER SAFETY

## Your safety and the safety of others are very important.

We have provided many important safety messages in this manual and on your appliance. Always read and obey all safety messages.



This is the safety alert symbol.

This symbol alerts you to potential hazards that can kill or hurt you and others.

All safety messages will follow the safety alert symbol and either the word "DANGER" or "WARNING."

These words mean:

**⚠ DANGER**

You can be killed or seriously injured if you don't immediately follow instructions.

**⚠ WARNING**

You can be killed or seriously injured if you don't follow instructions.

All safety messages will tell you what the potential hazard is, tell you how to reduce the chance of injury, and tell you what can happen if the instructions are not followed.

## IMPORTANT SAFETY INSTRUCTIONS

**WARNING:** To reduce the risk of fire, electric shock, or injury to persons when using the washer/dryer, follow basic precautions, including the following:

- Read all instructions before using the washer/dryer.
- Do not place items exposed to cooking oils in your dryer. Items contaminated with cooking oils may contribute to a chemical reaction that could cause a load to catch fire.
- Do not wash or dry articles that have been previously cleaned in, washed in, soaked in, or spotted with gasoline, dry-cleaning solvents, other flammable, or explosive substances as they give off vapors that could ignite or explode.
- Do not add gasoline, dry-cleaning solvents, or other flammable, or explosive substances to the wash water. These substances give off vapors that could ignite or explode.
- Do not allow children to play on or in the washer/dryer. Close supervision of children is necessary when the washer/dryer is used near children.
- Before the washer/dryer is removed from service or discarded, remove the doors to the washer/dryer compartments.
- Do not reach into the washer/dryer if the tub, agitator or drum is moving.
- Do not install or store the washer/dryer where it will be exposed to the weather.
- Do not tamper with controls.
- Clean dryer lint screen before or after each load.
- Under certain conditions, hydrogen gas may be produced in a hot water system that has not been used for 2 weeks or more. HYDROGEN GAS IS EXPLOSIVE. If the hot water system has not been used for such a period, before using the washing machine, turn on all hot water faucets and let the water flow from each for several minutes. This will release any accumulated hydrogen gas. As the gas is flammable, do not smoke or use an open flame during this time.
- Do not repair or replace any part of the washer/dryer or attempt any servicing unless specifically recommended in this Use and Care Guide or in published user-repair instructions that you understand and have the skills to carry out.
- Do not use fabric softeners or products to eliminate static unless recommended by the manufacturer of the fabric softener or product.
- Do not use heat to dry articles containing foam rubber or similarly textured rubber-like materials.
- Keep area around the exhaust opening and adjacent surrounding areas free from the accumulation of lint, dust, and dirt.
- The interior of the machine and dryer exhaust vent should be cleaned periodically by qualified service personnel.
- See "Electrical Requirements" section for grounding instructions.

**SAVE THESE INSTRUCTIONS**

# INSTALLATION INSTRUCTIONS

## Tools and Parts

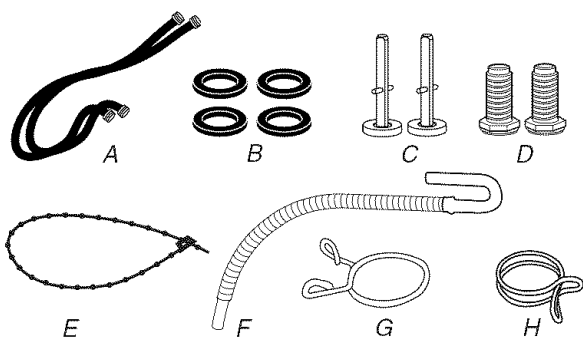
Gather the required tools and parts before starting installation. Read and follow the instructions provided with any tools listed here.

### Tools needed:

- #2 Phillips and flat-blade screwdriver
- Adjustable wrench that opens to 1" (2.5 cm) or 3/16" open-end wrench (for adjusting dryer feet)
- Wire stripper (direct wire installations)
- Tin snips (for new vent installations)
- 1/4" nut driver or socket wrench (recommended)
- Caulking gun and compound (for installing new exhaust vent)
- Vent clamps
- Wood block (for leveling)
- Ruler or measuring tape
- Level
- Knife
- Pliers
- Scissors

### Parts supplied:

Remove parts package from the washer basket. Check that all parts were included.



- A. Water inlet hoses (2)
- B. Inlet hose flat washers (4)
- C. Rear leveling legs (2)
- D. Front leveling legs (2)
- E. Plastic strap
- F. Drain hose
- G. Yellow, single wire hose clamp
- H. Silver, double-wire hose clamp

### Parts needed:

Check local codes, electrical supply and venting, and read "Electrical Requirements" and "Venting Requirements" before purchasing parts.

Mobile home installations require metal exhaust system hardware available for purchase from your local Sears store or Sears Service Center. For further information, please call **1-800-4-MY-HOME® (1-800-469-4663)**.

## Alternate Parts

Parts listed are available from your local Sears store or Sears Service Center. For further information, please call **1-800-4-MY-HOME® (1-800-469-4663)**.

If You Have	You Will Need to Buy
Laundry tub or standpipe taller than 96" (2.4 m)	Sump pump system (if not already available)
1" (2.5 cm) diameter standpipe	2" (5 cm) diameter to 1" (2.5 cm) diameter standpipe adapter, Part Number 3363920
Overhead sewer	Standard 20 gal. (76 L) 34" (86.4 cm) tall drain tub or utility sink and sump pump (available from local plumbing suppliers)
Floor drain	Siphon break, Part Number 285320, additional drain hose, Part Number 285702 and connector kit, Part Number 285442
Drain hose too short	Drain hose, Part Number 285664 and connector kit, Part Number 285442
Lint clogged drain	Drain protector, Part Number 367031
Water faucets beyond reach of fill hoses	2 longer water fill hoses: 6 ft (1.8 m) Part Number 76314, 10 ft (3.0 m) Part Number 350008

## Location Requirements

### **WARNING**



#### Explosion Hazard

Keep flammable materials and vapors, such as gasoline, away from dryer.

Failure to do so can result in death, explosion, or fire.

#### You will need

- A location that allows for proper exhaust installation. See "Venting Requirements."
- A separate 30-amp circuit.
- A grounded electrical outlet located within 2 ft (61 cm) of either side of the laundry center. See "Electrical Requirements."
- A sturdy floor to support the laundry center weight (laundry center, water and load) of 500 lbs (226.8 kg).
- A level floor with a maximum slope of 1" (2.5 cm) under entire laundry center. Clothes may not tumble properly and automatic sensor cycles may not operate correctly if laundry center is not level. Installing on carpet is not recommended.
- A water heater set to deliver 120°F (49°C) water to the washer.
- Hot and cold water faucets located within 4 ft (1.2 m) of the hot and cold water fill valves, and water pressure of 5-100 psi (34.5-689.6 kPa).

The laundry center must not be installed or stored in an area where it will be exposed to water and/or weather.

Do not operate your washer in temperatures at or below 32°F (0°C). Some water can remain in the washer and can cause damage in low temperatures. See "Vacation, Storage and Moving Care" for winterizing information.

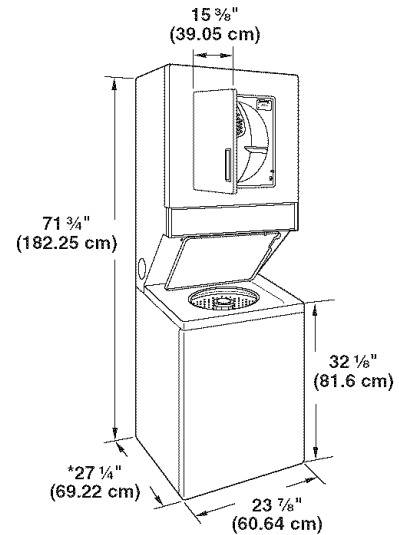
Do not operate your dryer at temperatures below 45°F (7°C). At lower temperatures, the dryer might not shut off at the end of an automatic cycle. This can result in longer drying times.

Check code requirements. Some codes limit, or do not permit, installation of the laundry center in garages, closets, mobile homes, or sleeping quarters. Contact your local building inspector.

#### Installation Clearances

The location must be large enough to allow the dryer door to open fully.

#### Laundry Center Dimensions

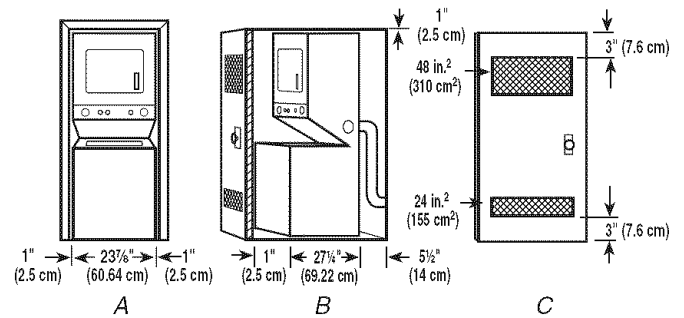


\* Most installations require a minimum 5/2" (14 cm) clearance behind the dryer for the exhaust vent with elbow. See "Venting Requirements."

#### Minimum installation spacing for recessed area or closet installation

The following dimensions shown are for the minimum spacings allowed.

- Additional spacing should be considered for ease of installation and servicing.
- Additional clearances might be required for wall, door and floor moldings.
- For closet installation, with a door, minimum ventilation openings in the top and bottom of the door are required. Louvered doors with equivalent ventilation openings are acceptable.
- Rear clearance may be 1" (2.5 cm) when house exhaust system is lined up directly with dryer exhaust.



A. Recessed area  
B. Side view - closet or confined area  
C. Closet door with vents

## Mobile Home - Additional Installation Requirements

This laundry center is suitable for mobile home installations. The installation must conform to the Manufactured Home Construction and Safety Standard, Title 24 CFR, Part 3280 (formerly the Federal Standard for Mobile Home Construction and Safety, Title 24, HUD Part 280).

### Mobile home installations require:

- Metal exhaust system hardware, which is available for purchase from your local Sears store or Sears Service Center.
- Special provisions must be made in mobile homes to introduce outside air into the dryer. The opening (such as a nearby window) should be at least twice as large as the dryer exhaust opening.

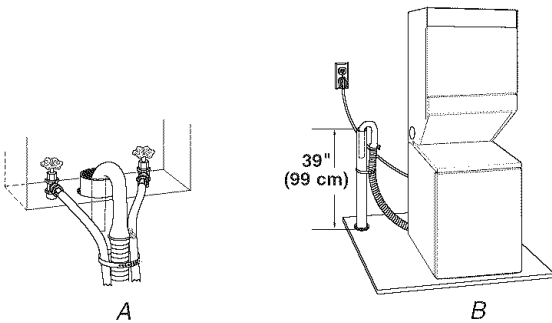
## Drain System

The laundry center can be installed using the standpipe drain system (floor or wall), the laundry tub drain system, or the floor drain system. Select the drain hose installation method you need. See "Alternate Parts."

### Standpipe drain system - wall or floor (views A & B)

The standpipe drain requires a minimum diameter standpipe of 2" (5 cm). The minimum carry-away capacity can be no less than 17 gal. (64 L) per minute. A 2" (5 cm) diameter to 1" (2.5 cm) diameter standpipe adapter kit is available. See "Alternate Parts."

The top of the standpipe must be at least 39" (99 cm) high and no higher than 96" (2.4 m) from the bottom of the washer.



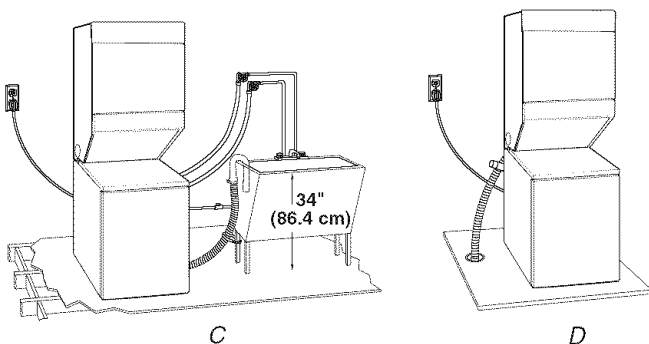
### Laundry tub drain system (view C)

The laundry tub needs a minimum 20 gal. (76 L) capacity. The top of the laundry tub must be at least 34" (86.4 cm) above the floor and no higher than 96" (2.4 m) from the bottom of the washer.

### Floor drain system (view D)

The floor drain system requires a siphon break that may be purchased separately. See "Alternate Parts."

The siphon break must be a minimum of 28" (71 cm) from the bottom of the washer. Additional hoses might be needed.



## Electrical Requirements

### It is your responsibility

- To contact a qualified electrical installer.
- To be sure that the electrical connection is adequate and in conformance with the National Electrical Code, ANSI/NFPA 70-latest edition and all local codes and ordinances.

A copy of the above code standards can be obtained from: National Fire Protection Association, One Batterymarch Park, Quincy, MA 02269.

- To supply the required 3 or 4 wire, single phase, 120/240 volt, 60 Hz., AC only electrical supply (or 3 or 4 wire, 120/208 volt electrical supply, if specified on the serial/rating plate) on a separate 30-amp circuit, fused on both sides of the line. A time-delay fuse or circuit breaker is recommended. Connect to an individual branch circuit. Do not have a fuse in the neutral or grounding circuit.
- Do not use an extension cord.
- If codes permit and a separate ground wire is used, it is recommended that a qualified electrician determine that the ground path is adequate.

### Electrical Connection

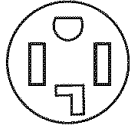
To properly install your laundry center, you must determine the type of electrical connection you will be using and follow the instructions provided for it here.

- This dryer is manufactured ready to install with a 3-wire electrical supply connection. The neutral ground wire is permanently connected to the neutral conductor (white wire) within the dryer. If the dryer is installed with a 4-wire electrical supply connection, the neutral ground wire must be removed from the internal ground connector (green screw), and secured under the neutral terminal (center or white wire) of the terminal block. When the neutral ground wire is secured under the neutral terminal (center or white wire) of the terminal block, the dryer cabinet is isolated from the neutral conductor.
- If local codes do not permit the connection of a neutral ground wire to the neutral wire, see "Optional 3-wire connection" section.
- Use a 4-wire conductor cord when the dryer is installed in a mobile home or an area where local codes do not permit grounding through the neutral.

### If using a power supply cord:

- Use a UL listed power supply cord kit marked for use with clothes dryers. The kit should contain:
  - A UL listed 30-amp power supply cord, rated 120/240 volt minimum. The cord should be type SRD or SRDT and be at least 4 ft (1.22 m) long. The wires that connect to the dryer must end in ring terminals or spade terminals with upturned ends.
  - A UL listed strain relief.

**If your outlet looks like this:**



*4-wire receptacle (14-30R)*

Then choose a 4-wire power supply cord with ring or spade terminals and UL listed strain relief. The 4-wire power supply cord, at least 4 ft (1.22 m) long, must have four 10-gauge copper wires and match a 4-wire receptacle of NEMA Type 14-30R. The ground wire (ground conductor) may be either green or bare. The neutral conductor must be identified by a white cover.

**If your outlet looks like this:**



*3-wire receptacle (10-30R)*

Then choose a 3-wire power supply cord with ring or spade terminals and UL listed strain relief. The 3-wire power supply cord, at least 4 ft (1.22 m) long, must have three 10-gauge copper wires and match a 3-wire receptacle of NEMA Type 10-30R.

**If connecting by direct wire:**

Power supply cable must match power supply (4-wire or 3-wire) and be:

- Flexible armored cable or nonmetallic sheathed copper cable (with ground wire), protected with flexible metallic conduit. All current-carrying wires must be insulated.
- 10-gauge solid copper wire. (Do not use aluminum.)
- At least 5 ft (1.52 m) long.

**GROUNDING INSTRUCTIONS**

■ For a grounded, cord-connected washer/dryer:  
This washer/dryer must be grounded. In the event of malfunction or breakdown, grounding will reduce the risk of electric shock by providing a path of least resistance for electric current. This washer/dryer uses a cord having an equipment-grounding conductor and a grounding plug. The plug must be plugged into an appropriate outlet that is properly installed and grounded in accordance with all local codes and ordinances.

■ For a permanently connected washer/dryer:  
This washer/dryer must be connected to a grounded metal, permanent wiring system, or an equipment-grounding conductor must be run with the circuit conductors and connected to the equipment-grounding terminal or lead on the washer/dryer.

**WARNING:** Improper connection of the equipment-grounding conductor can result in a risk of electric shock. Check with a qualified electrician or service representative or personnel if you are in doubt as to whether the washer/dryer is properly grounded. Do not modify the plug on the power supply cord: if it will not fit the outlet, have a proper outlet installed by a qualified electrician.

**SAVE THESE INSTRUCTIONS**



## Electrical Connection

### Power Supply Cord

#### ⚠ WARNING



##### Fire Hazard

- Use a new UL listed 30 amp power supply cord.
- Use a UL listed strain relief.
- Disconnect power before making electrical connections.
- Connect neutral wire (white or center wire) to center terminal (silver).
- Ground wire (green or bare wire) must be connected to green ground connector.
- Connect remaining 2 supply wires to remaining 2 terminals (gold).
- Securely tighten all electrical connections.
- Failure to do so can result in death, fire, or electrical shock.

### Direct Wire

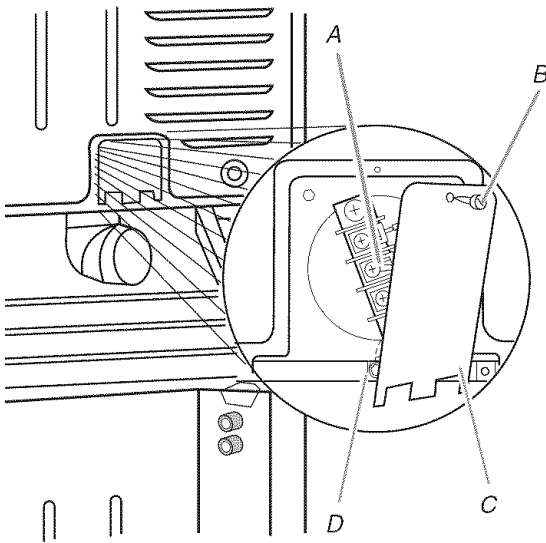
#### ⚠ WARNING



##### Fire Hazard

- Use 10 gauge solid copper wire.
- Use a UL listed strain relief.
- Disconnect power before making electrical connections.
- Connect neutral wire (white or center wire) to center terminal (silver).
- Ground wire (green or bare wire) must be connected to green ground connector.
- Connect remaining 2 supply wires to remaining 2 terminals (gold).
- Securely tighten all electrical connections.
- Failure to do so can result in death, fire, or electrical shock.

1. Disconnect power.
2. Remove the hold-down screw and terminal block cover.

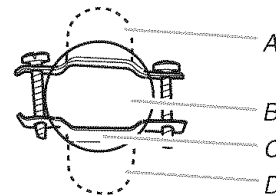


- A. Center silver-colored terminal block screw
- B. Hold-down screw
- C. Terminal block cover
- D. Internal ground conductor screw

3. Install strain relief.

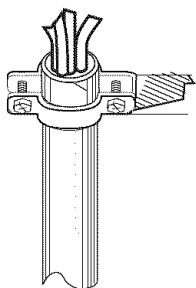
#### Style 1: Power supply cord strain relief

- Remove the screws from a 3/4" (1.9 cm) UL listed strain relief (UL marking on strain relief). Put the tabs of the two clamp sections into the hole below the terminal block opening so that one tab is pointing up and the other is pointing down, and hold in place. Tighten strain relief screws just enough to hold the two clamp sections together.



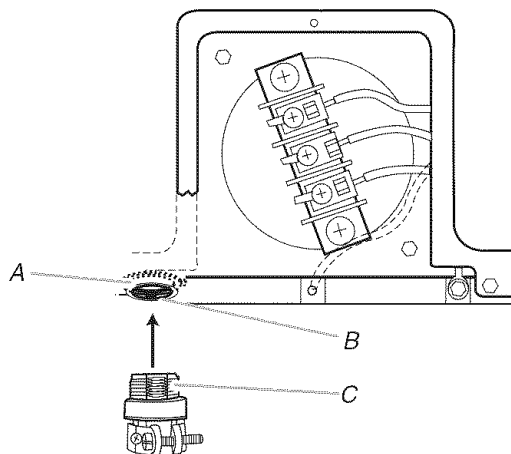
- A. Strain relief tab pointing up
- B. Hole below terminal block opening
- C. Clamp section
- D. Strain relief tab pointing down

- Put power supply cord through the strain relief. Be sure that the wire insulation on the power supply cord is inside the strain relief. The strain relief should have a tight fit with the dryer cabinet and be in a horizontal position. Do not further tighten strain relief screws at this point.



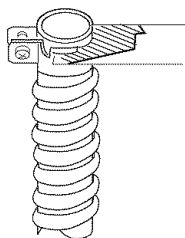
### Style 2: Direct wire strain relief

- Unscrew the removable conduit connector and any screws from a 3/4" (1.9 cm) UL listed strain relief (UL marking on strain relief). Put the threaded section of the strain relief through the hole below the terminal block opening. Reaching inside the terminal block opening, screw the removable conduit connector onto the strain relief threads.



A. Removable conduit connector  
 B. Hole below terminal block opening  
 C. Strain relief threads

- Put direct wire cable through the strain relief. The strain relief should have a tight fit with the dryer cabinet and be in a horizontal position. Tighten strain relief screw against the direct wire cable.

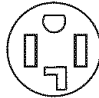
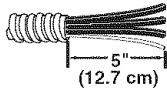

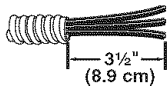


- Now complete installation following instructions for your type of electrical connection:

**4-wire** (recommended)

**3-wire** (if 4-wire is not available)

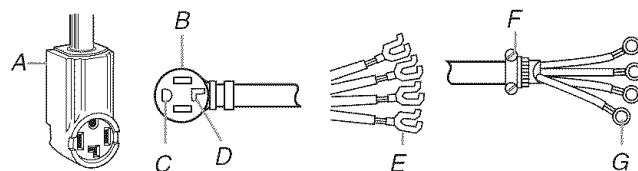
### Electrical Connection Options

If your home has:	And you will be connecting to:	Go to Section
4-wire receptacle (NEMA Type 14-30R) 	A UL listed, 120/240-volt minimum, 30-amp, dryer power supply cord*	4-wire connection: Power supply cord
4-wire direct 	A fused disconnect or circuit breaker box*	4-wire connection: Direct Wire
3-wire receptacle (NEMA type 10-30R) 	A UL listed, 120/240-volt minimum, 30-amp, dryer power supply cord*	3-wire connection: Power supply cord
3-wire direct 	A fused disconnect or circuit breaker box*	3-wire connection: Direct Wire

\*If local codes do not permit the connection of a frame-grounding conductor to the neutral wire, go to "Optional 3-wire connection" section.

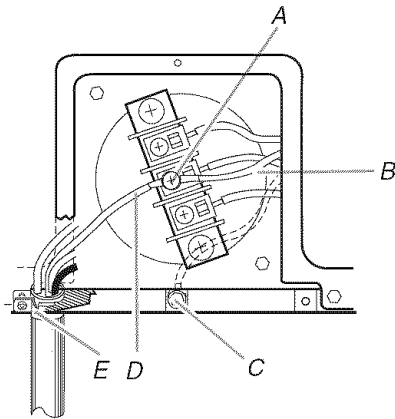
### 4-wire connection: Power supply cord

**IMPORTANT:** A 4-wire connection is required for all mobile homes and where local codes do not permit the use of 3-wire connections.



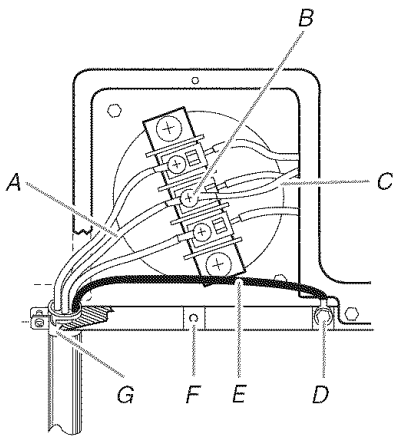
A. 4-wire receptacle (NEMA type 14-30R)  
 B. 4-prong plug  
 C. Ground prong  
 D. Neutral prong  
 E. Spade terminals with upturned ends  
 F. 3/4" (1.9 cm) UL listed strain relief  
 G. Ring terminals

1. Remove center, silver-colored terminal block screw.
2. Remove neutral ground wire from internal ground conductor screw. Connect neutral ground wire and the neutral wire (white or center wire) of power supply cord under center, silver-colored terminal block screw. Tighten screw.



- A. Center silver-colored terminal block screw
- B. Neutral ground wire
- C. Internal ground conductor screw - Dotted line shows position of NEUTRAL ground wire before being moved to center silver-colored terminal block screw
- D. Neutral wire (white or center wire)
- E.  $\frac{3}{4}$ " (1.9 cm) UL listed strain relief

3. Move the green painted screw from the internal to the external ground conductor location. Connect ground wire (green or bare) of power supply cord to external ground conductor screw. Tighten screw.



- A. Neutral wire (white or center wire)
- B. Center silver-colored terminal block screw
- C. Neutral ground wire
- D. External ground conductor screw
- E. Ground wire (green or bare) of power supply cord
- F. Internal ground conductor location
- G.  $\frac{3}{4}$ " (1.9 cm) UL listed, strain relief

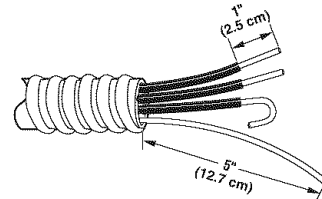
4. Connect the other wires to outer terminal block screws. Tighten screws.
5. Tighten strain relief screws.
6. Insert tab of terminal block cover into slot of dryer rear panel. Secure cover with hold-down screw.
7. You have completed your electrical connection. Now go to "Venting Requirements."

#### 4-wire connection: Direct Wire

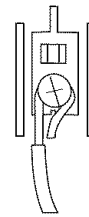
**IMPORTANT:** A 4-wire connection is required for mobile homes and where local codes do not permit the use of 3-wire connections.

Direct wire cable must have 5 ft (1.52 m) of extra length so laundry center can be moved if needed.

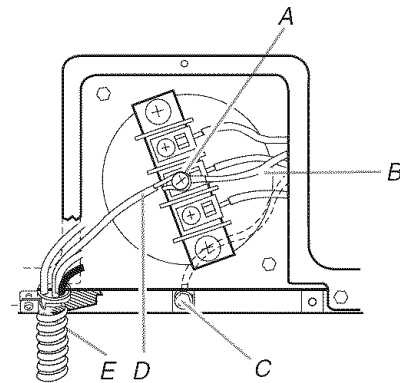
Strip 5" (12.7 cm) of outer covering from end of cable, leaving bare ground wire at 5" (12.7 cm). Cut  $1\frac{1}{2}$ " (3.8 cm) from 3 remaining wires. Strip insulation back 1" (2.5 cm). Shape ends of wires into a hook shape.



When connecting to the terminal block, place the hooked end of the wire under the screw of the terminal block (hook facing right), squeeze hooked end together and tighten screw. See example below.

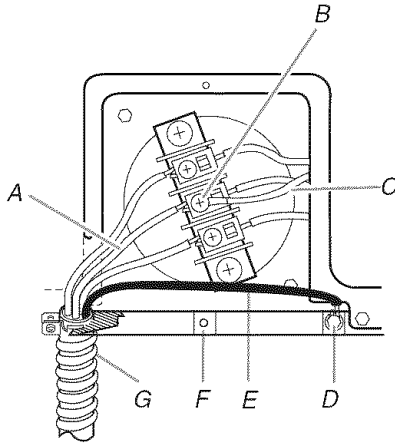


1. Remove center, silver-colored terminal block screw.
2. Remove neutral ground wire from internal ground conductor screw. Connect neutral ground wire and place the hooked end (hook facing right) of the neutral wire (white or center wire) of direct wire cable under the center screw of the terminal block. Squeeze hooked ends together. Tighten screw.



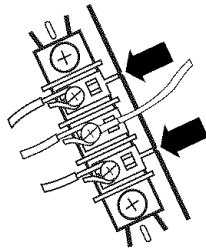
- A. Center silver-colored terminal block screw
- B. Neutral ground wire
- C. Internal ground conductor screw - Dotted line shows position of NEUTRAL ground wire before being moved to center silver-colored terminal block screw
- D. Neutral wire (white or center wire)
- E.  $\frac{3}{4}$ " (1.9 cm) UL listed strain relief

3. Move the green painted screw from the internal to the external ground location. Connect ground wire (green or bare) of power supply cable to external ground conductor screw. Tighten screw.



- A. Neutral wire (white or center wire)
- B. Center silver-colored terminal block screw
- C. Neutral ground wire
- D. External ground conductor screw
- E. Ground wire (green or bare) of power supply cable
- F. Internal ground conductor location
- G. 3/4" (1.9 cm) UL listed, strain relief

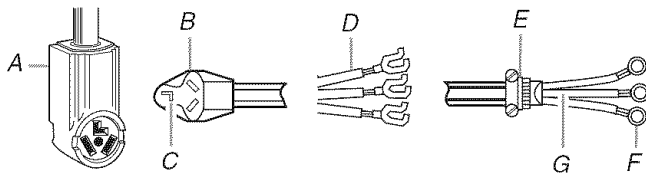
4. Place the hooked ends of the other power supply cable wires under the outer terminal block screws (hooks facing right). Squeeze hooked ends together. Tighten screws.



5. Tighten strain relief screw.
6. Insert tab of terminal block cover into slot of dryer rear panel. Secure cover with hold-down screw.
7. You have completed your electrical connection. Now go to "Venting Requirements."

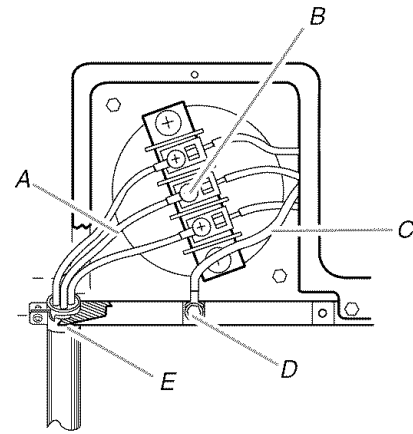
### 3-wire connection: Power supply cord

Use where local codes permit connecting cabinet-ground conductor to neutral wire.



- A. 3-wire receptacle (NEMA type 10-30R)
- B. 3-wire plug
- C. Ground prong
- D. Spade terminals with up turned ends
- E. 3/4" (1.9 cm) UL listed strain relief
- F. Ring terminals
- G. Neutral (white or center wire)

1. Loosen or remove center, silver-colored terminal block screw.
2. Connect neutral wire (white or center wire) of power supply cord to the center, silver-colored terminal screw of the terminal block. Tighten screw.



- A. Neutral wire (white or center wire)
- B. Center silver-colored terminal block screw
- C. Neutral ground wire
- D. Internal ground conductor screw
- E. 3/4" (1.9 cm) UL listed, strain relief

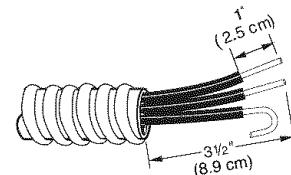
3. Connect the other wires to outer terminal block screws. Tighten screws.
4. Tighten strain relief screws.
5. Insert tab of terminal block cover into slot of dryer rear panel. Secure cover with hold-down screw.
6. You have completed your electrical connection. Now go to "Venting Requirements."

### 3-wire connection: Direct Wire

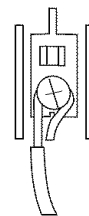
Use where local codes permit connecting cabinet-ground conductor to neutral wire.

Direct wire cable must have 5 ft (1.52 m) of extra length so laundry center can be moved if needed.

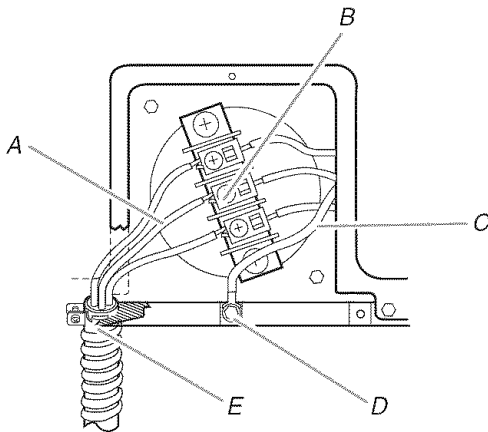
Strip 3 1/2" (8.9 cm) of outer covering from end of cable. Strip insulation back 1" (2.5 cm). If using 3-wire cable with ground wire, cut bare wire even with outer covering. Shape ends of wires into a hook shape.



When connecting to the terminal block, place the hooked end of the wire under the screw of the terminal block (hook facing right), squeeze hooked end together and tighten screw.

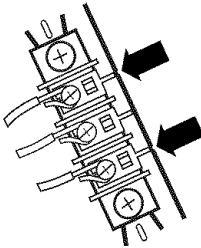


1. Loosen or remove center, silver-colored terminal block screw.
2. Place the hooked end of the neutral wire (white or center wire) of direct wire cable under the center screw of terminal block (hook facing right). Squeeze hooked end together. Tighten screw.



A. Neutral wire (white or center wire)  
 B. Center silver-colored terminal block screw  
 C. Neutral ground wire  
 D. Internal ground conductor screw  
 E. 3/4" (1.9 cm) UL listed, strain relief

3. Place the hooked ends of the other power supply cable wires under the outer terminal block screws (hooks facing right). Squeeze hooked ends together. Tighten screws.

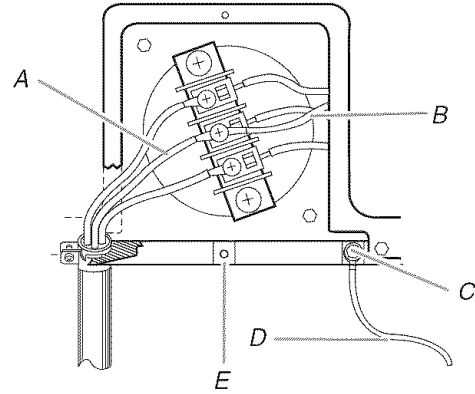


4. Tighten strain relief screw.
5. Insert tab of terminal block cover into slot of dryer rear panel. Secure cover with hold-down screw.
6. You have completed your electrical connection. Now go to "Venting Requirements."

### Optional 3-wire connection

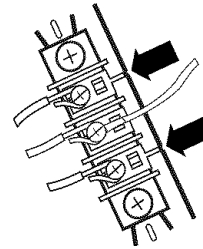
**Use for direct wire or power supply cord where local codes do not permit connecting cabinet-ground conductor to neutral wire.**

1. Remove center, silver-colored terminal block screw.
2. Remove neutral ground wire from internal ground conductor screw. Connect neutral ground wire and the neutral wire (white or center wire) of power supply cord/cable under center, silver-colored terminal block screw. Tighten screw.



A. Neutral wire (white or center wire)  
 B. Neutral ground wire  
 C. External ground conductor screw  
 D. Grounding path determined by a qualified electrician  
 E. Internal ground conductor location

3. Connect the other wires to outer terminal block screws. Tighten screws.



4. Tighten strain relief screws.
5. Move the green painted screw from the internal to the external ground conductor location. Connect a separate copper ground wire from the external ground conductor screw to an adequate ground.
6. Insert tab of terminal block cover into slot of dryer rear panel. Secure cover with hold-down screw.

## Venting Requirements

### **WARNING**



#### Fire Hazard

Use a heavy metal vent.

Do not use a plastic vent.

Do not use a metal foil vent.

Failure to follow these instructions can result in death or fire.

**WARNING:** To reduce the risk of fire, this laundry center **MUST BE EXHAUSTED OUTDOORS.**

**IMPORTANT:** Observe all governing codes and ordinances. The dryer exhaust must not be connected into any gas vent, chimney, wall, ceiling, or a concealed space of a building.

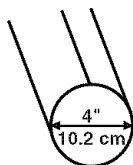
#### If using an existing vent system

- Clean lint from the entire length of the system and make sure exhaust hood is not plugged with lint.
- Replace any plastic or metal foil vent with rigid or flexible heavy metal vent.
- Review Vent system chart. Modify existing vent system if necessary to achieve the best drying performance.

#### If this is a new vent system

##### Vent material

- Use a heavy metal vent. Do not use plastic or metal foil vent.
- 4" (10.2 cm) heavy metal exhaust vent and clamps must be used. DURASAFE™ venting products are recommended.



4" (10.2 cm) heavy metal exhaust vent

DURASAFE™ vent products can be purchased from your dealer. For further information, please call **1-800-4-MY-HOME® (1-800-469-4663)** or visit our website at **www.sears.com**.

##### Rigid metal vent

- For best drying performance, rigid metal vents are recommended.
- Rigid metal vent is recommended to avoid crushing and kinking.

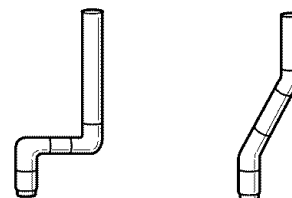
##### Flexible metal vent

- Flexible metal vents are acceptable only if accessible for cleaning.
- Flexible metal vent must be fully extended and supported when the laundry center is in its final position.

- Remove excess flexible metal vent to avoid sagging and kinking that may result in reduced airflow and poor performance.
- Do not install flexible metal vent in enclosed walls, ceilings or floors.

##### Elbows

45° elbows provide better airflow than 90° elbows.

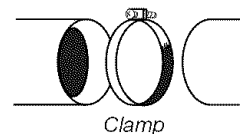


Good

Better

##### Clamps

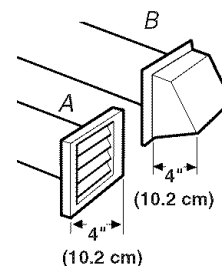
- Use clamps to seal all joints.
- Exhaust vent must not be connected or secured with screws or other fastening devices that extend into the interior of the duct. Do not use duct tape.



Clamp

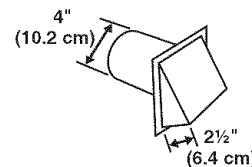
##### Exhaust

Recommended hood styles are shown here.



A. Louvered hood style  
B. Box hood style

The angled hood style (shown here) is acceptable.



- An exhaust hood should cap the vent to keep rodents and insects from entering the home.
- Exhaust hood must be at least 12" (30.5 cm) from the ground or any object that may be in the path of the exhaust (such as flowers, rocks or bushes, snow line, etc.).
- Do not use an exhaust hood with a magnetic latch.

#### **Improper venting can cause moisture and lint to collect indoors, which may result in:**

- Moisture damage to woodwork, furniture, paint, wallpaper, carpets, etc.
- Housecleaning problems and health problems.

## Install Leveling Legs

### **⚠ WARNING**

#### **Excessive Weight Hazard**

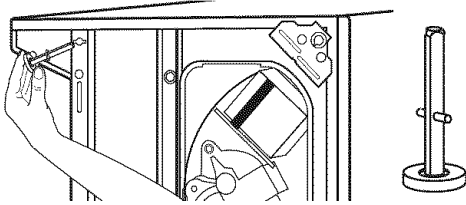
**Use two or more people to move and install washer/dryer.**

**Failure to do so can result in back or other injury.**

To protect the floor, use a large flat piece of cardboard from the shipping carton. Gently place the laundry center on its side, on the cardboard.

#### **Install the rear leveling legs**

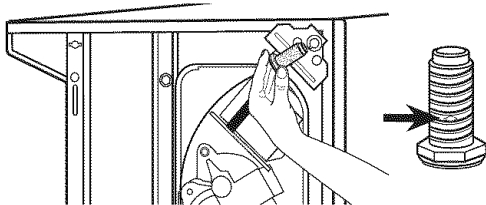
1. Push legs into holes in rear corners until they snap into place.



2. Check adjustability of rear legs by pushing in one leg. The other leg should come out. Check both legs. If they do not move freely, repeat Step 1.

#### **Install the front leveling legs**

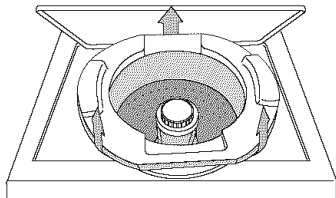
1. Examine the front leveling legs. Find the diamond marking.
2. Screw front legs by hand, into the holes in the triangular braces in the front corners. Use wrench to finish turning the legs until the diamond marking is no longer visible.



3. Stand the laundry center upright.

## Remove Foam Packing

1. Open the washer lid. The latch under the dryer will keep the lid open.
2. Pull the foam packing ring out of the washer.



**NOTE:** Keep the foam ring and use it when transporting your laundry center. This packing material is used to keep the washer tub stable during transport.

## Connect Drain Hose

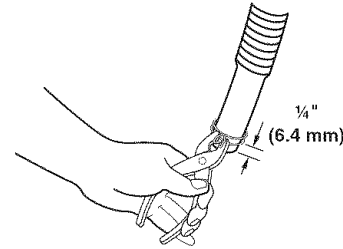
Proper connection of the drain hose protects your floors from damage due to water leakage. To keep the drain hose from coming off or leaking, it must be installed according to the following instructions:

**IMPORTANT:** To ensure proper installation, this procedure must be followed exactly.

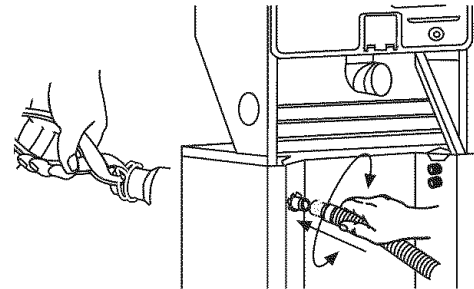
1. Check the drain hose to see whether it is the proper length.
2. Wet the inside of the straight end of the drain hose with tap water.

**IMPORTANT:** Do not use any lubricant other than water.

3. Squeeze ears of the silver, double-wire clamp with pliers to open. Place clamp over the straight end of the drain hose  $\frac{1}{4}$ " (6.4 mm) from the end.



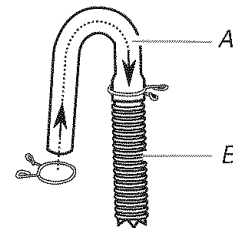
4. Open clamp. Twist hose back and forth while pushing onto drain connector on the side of the laundry center. Continue until hose contacts the ribbed stops on the cabinet.



5. Place clamp over the area marked "CLAMP." Release clamp.

#### **For laundry tub or standpipe drain systems**

1. Open the yellow, single-wire clamp and slide over the hooked end of the drain hose to secure the rubber and corrugated sections together.



A. Hooked end  
B. Drain hose

2. Put the hooked end of drain hose into laundry tub or standpipe. Rotate hook to eliminate kinks.

#### **To keep drain water from going back into the washer:**

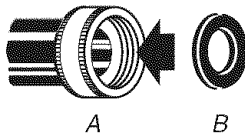
- Do not straighten hooked end of the drain hose and force excess drain hose into standpipe. Hose should be secure but loose enough to provide a gap for air.
- Do not lay excess hose on the bottom of the laundry tub.

#### **For use with floor drain**

Remove the drain hose hook from the corrugated drain hose. You may need additional parts. See Floor drain under "Alternate Parts."

## Connect Inlet Hoses

1. Insert a new flat washer (supplied) into each end of the inlet hoses. Firmly seat the washers in the couplings.

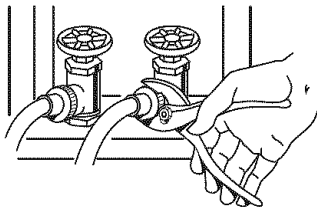


A. Coupling  
B. Washer

### Connect the inlet hoses to the water faucets

Make sure the washer basket is empty.

2. Attach the hose labeled hot to the hot water faucet. Screw on coupling by hand until it is seated on the washer.
3. Attach the hose labeled cold to the cold water faucet. Screw on coupling by hand until it is seated on the washer.
4. Using pliers, tighten the couplings with an additional two-thirds turn.



**NOTE:** Do not overtighten or use tape or sealants on the valve. Damage to the valves can result.

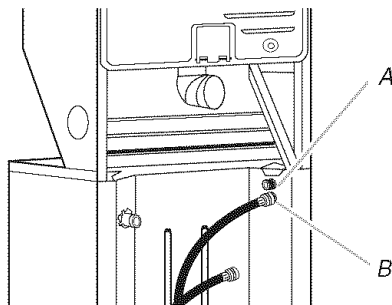
### Clear the water lines

- Run water through both faucets and inlet hoses, into a laundry tub, drainpipe or bucket to get rid of particles in the water lines that might clog the inlet valve screens.
- Check the temperature of the water to make sure that the hot water hose is connected to the hot water faucet and that the cold water hose is connected to the cold water faucet.

### Connect the inlet hoses to the washer

1. Attach the hot water hose to the bottom inlet valve. Attaching the hot water hose first makes it easier to tighten connection with pliers.
2. Screw on coupling by hand until it is seated on the washer.
3. Using pliers, tighten the couplings with an additional two-thirds turn.

**NOTE:** Do not overtighten or use tape or sealants on the valve. Damage to the valves can result.



A. Cold water inlet valve (top)  
B. Hot water inlet valve (bottom)

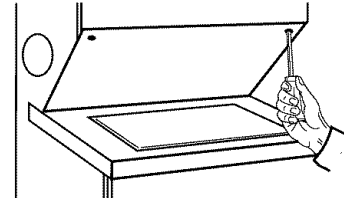
4. Attach the cold water hose to the top inlet valve.
5. Screw on coupling by hand until it is seated on the washer.

6. Using pliers, tighten the couplings with an additional two-thirds turn.

**NOTE:** Do not overtighten or use tape or sealants on the valve. Damage to the valves can result.

### If you are working in a closet or recessed area

Move the laundry center into its final position and remove cardboard from under laundry center. Remove the access panel by removing 3 Phillips-head screws and one bumper, located at the top of the access panel. Set panel, screws and bumper aside. Complete hookup of water hoses and (on gas models) the flexible gas connector through the access area. Replace access panel upon completion of laundry center installation.



### Check for leaks

7. Turn on the water faucets and check for leaks. A small amount of water might enter the washer. You will drain this later.

**NOTE:** Replace inlet hoses after 5 years of use to reduce the risk of hose failure. Record hose installation or replacement dates for future reference.

- If you connect only one water hose, you must cap off the remaining water inlet port.
- Periodically inspect and replace hoses if bulges, kinks, cuts, wear, or leaks are found.
- The apparatus must be connected to the water faucets using the new hoses. Do not use old hoses.

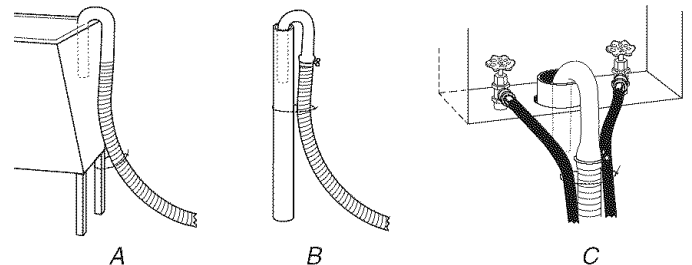
## Secure Drain Hose

1. Move the laundry center to its final location and remove any cardboard used to move the laundry center.
2. Locate the plastic strap included in the parts package.



Beaded tie strap

3. Wrap the drain hose to the laundry tub leg or standpipe with the plastic strap (A or B below) and secure.



If the water faucets and the drain standpipe are recessed, put the hooked end of the drain hose in the standpipe. Tightly wrap the plastic strap around the water inlet hoses and the drain hose (C above).

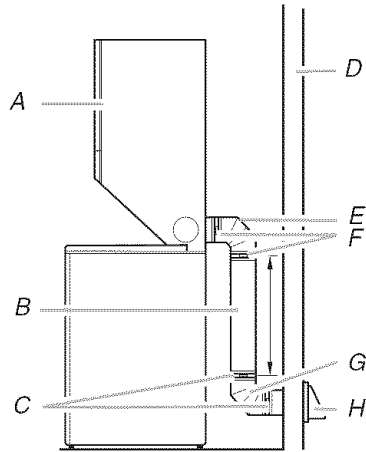


## Plan Vent System

### Choose your exhaust installation type

#### Recommended exhaust installations

Typical installations vent the dryer from the rear of the washer/dryer. Other installations are possible.



- |                                       |                 |
|---------------------------------------|-----------------|
| A. Dryer                              | E. Elbow        |
| B. Rigid metal or flexible metal vent | F. Clamps       |
| C. Clamps                             | G. Elbow        |
| D. Wall                               | H. Exhaust hood |

#### Optional exhaust installations

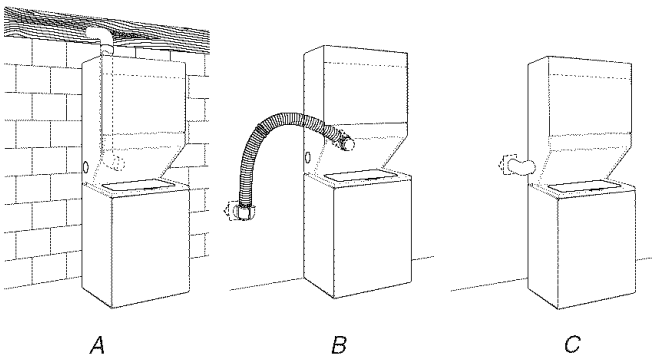
This laundry center can be converted to exhaust out the right or left side. To convert the laundry center, use Side Exhaust Kit Part Number 279823. If your laundry center was previously exhausted from the right or left side, it can be converted to rear exhaust by using standard offset connections. To cover the hole in the side, one of the following plugs can be added:

692790 (white)

3979370 (graphite)

3977784 (biscuit)

Follow the instructions in the kit to install. Kits are available from your local Sears store or Sears Service Center.

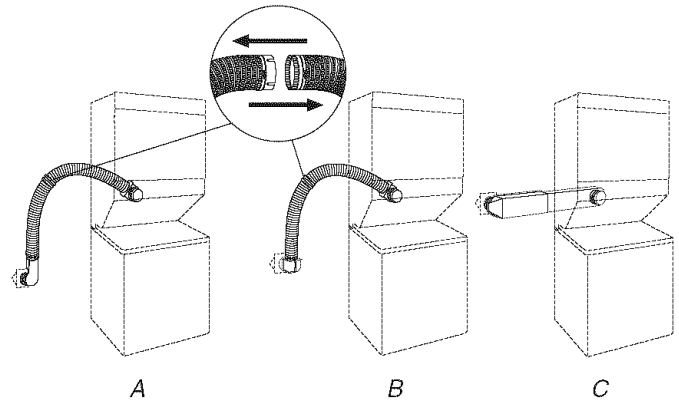


- A. Standard rear offset exhaust installation  
 B. Rear exhaust for offset close clearance connection  
 C. Left or right side exhaust installation

#### Alternate installations for close clearances

Venting systems come in many varieties. Select the type best for your installation. Three close-clearance installations are shown.

Refer to the manufacturer's instructions provided with the vent system.



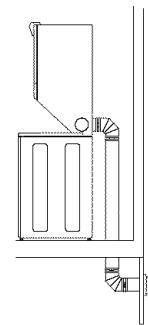
- A. Loop system with standard elbows  
 B. Loop system with one offset and one standard elbow  
 C. Vent system with one periscope (2" [5 cm] clearance)

**NOTE:** The following kits for close clearance alternate installations are available for purchase. To order, please call **1-800-4-MY-HOME® (1-800-469-4663)**.

- Over-the-Top Installation:  
Part Number 26-49900
- Periscope Installation (For use with dryer vent to wall vent mismatch):  
 Part Number 26-49901 - Less than 5" (12.7 cm) mismatch  
 Part Number 26-49908 - 5" (12.7 cm) to 18" (45.7 cm) mismatch  
 Part Number 26-49904 - 18" (45.7 cm) to 29" (73.7 cm) mismatch  
 Part Number 26-49905 - 29" (73.7 cm) to 50" (127 cm) mismatch

#### Special provisions for mobile home installations

The exhaust vent must be securely fastened to a noncombustible portion of the mobile home structure and must not terminate beneath the mobile home. Terminate the exhaust vent outside.



#### Determine vent path

- Select the route that will provide the straightest and most direct path outdoors.
- Plan the installation to use the fewest number of elbows and turns.
- When using elbows or making turns, allow as much room as possible.

- Bend vent gradually to avoid kinking.
- Use the fewest 90° turns possible.

### Determine vent length and elbows needed for best drying performance

- Use the Vent system chart below to determine type of vent material and hood combinations acceptable to use.

**NOTE:** Do not use vent runs longer than those specified in the Vent system chart. Exhaust systems longer than those specified will:

- Shorten the life of the dryer.
- Reduce performance, resulting in longer drying times and increased energy usage.

The Vent system chart provides venting requirements that will help to achieve the best drying performance.

### Vent system chart

**NOTE:** Side exhaust installations add a 90° turn inside the laundry center. To determine maximum exhaust length, add one 90° turn to the chart.

Number of 90° turns or elbows	Type of Vent	Box or Louvered hoods	Angled hoods
0	Rigid metal	43 ft (13.1 m)	36 ft (11.0 m)
	Flexible metal	30 ft (9.1 m)	24 ft (7.3 m)
1	Rigid metal	33 ft (10.1 m)	26 ft (7.9 m)
	Flexible metal	24 ft (7.3 m)	18 ft (5.5 m)
2	Rigid metal	24 ft (7.3 m)	16 ft (4.9 m)
	Flexible metal	16 ft (4.9 m)	10 ft (3.0 m)

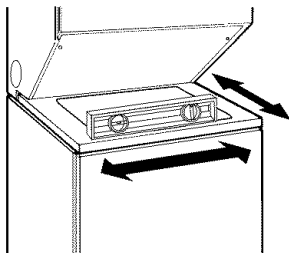
### Install Vent System

1. Install exhaust hood. Use caulking compound to seal exterior wall opening around exhaust hood.
2. Connect vent to exhaust hood. Vent must fit inside exhaust hood. Secure vent to exhaust hood with 4" (10.2 cm) clamp.
3. Run vent to dryer location. Use the straightest path possible. See "Determine vent path" in "Plan Vent System." Avoid 90° turns. Use clamps to seal all joints. Do not use duct tape, screws or other fastening devices that extend into the interior of the vent to secure vent.

### Level Laundry Center

Properly leveling your laundry center averts excessive noise and vibration.

1. Check the levelness of the laundry center by placing a level on the top edge of the washer, first side to side, then front to back.



2. If the laundry center is not level, prop up the front with a wood block and adjust the feet up or down as necessary. Remove wood block and lower laundry center. Repeat this step until the laundry center is level.

### Connect Vent

1. Using a 4" (10.2 cm) clamp, connect vent to exhaust outlet in laundry center. If connecting to existing vent, make sure the vent is clean. The vent must fit over the exhaust outlet and inside the exhaust hood. Make sure the vent is secured to exhaust hood with a 4" (10.2 cm) clamp.
2. Move laundry center into its final position. Do not crush or kink vent. Make sure laundry center is level.

### Complete Installation

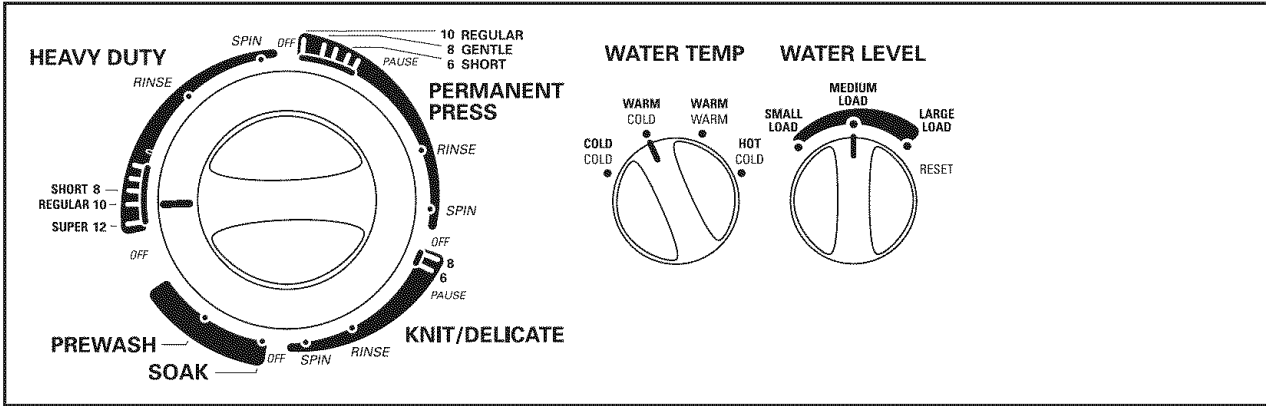
1. Check that all parts are now installed. If there is an extra part, go back through the steps to see which step was skipped.
2. Check that you have all of your tools.
3. Dispose of/recycle all packaging materials. Keep the plastic foam for use if the laundry center should be transported.
4. Check the laundry center's final location. Be sure the vent is not crushed or kinked.
5. Check that the laundry center is level and front leveling feet are tight. See "Level Laundry Center."
6. For power supply cord installation, plug into an outlet. For direct wire installation, turn on power.
7. Check that the water faucets are on.
8. Check for leaks around faucets and inlet hoses.
9. Remove the blue protective film on the console and any tape remaining on the laundry center.
10. Read "Washer Use" and "Dryer Use."
11. Wipe the dryer drum interior thoroughly with a damp cloth to remove any dust.
12. To test the washer, measure ½ the normal recommended amount of detergent and pour it into the washer. Close the lid. Select HEAVY DUTY and pull out the Cycle Control knob. Allow the washer to complete one whole cycle.
13. To test the dryer, set the dryer on a full heat cycle (not an air cycle) for 20 minutes and start the dryer.

#### If the dryer will not start, check the following:

- Controls are set in a running or "On" position.
  - PUSH TO START DRYER button has been firmly pushed.
  - Laundry center is plugged into an outlet and/or electrical supply is on.
  - Household fuse is intact and tight, or circuit breaker has not tripped.
  - Dryer door is closed.
14. When the dryer has been running for 5 minutes, open the dryer door and feel for heat. If you feel heat, cancel cycle and close the door.
- If you do not feel heat, turn off the dryer and check the following:**
- There may be 2 household fuses or circuit breakers for the dryer. Check to make sure both fuses are intact and tight, or that both circuit breakers have not tripped. If there is still no heat, contact a qualified technician.

**NOTE:** You may notice a burning odor when dryer is first heated. This odor is common when the heating element is first used. The odor will go away.

# WASHER USE



## Starting Your Washer

### WARNING



#### Fire Hazard

Never place items in the washer that are dampened with gasoline or other flammable fluids.

No washer can completely remove oil.

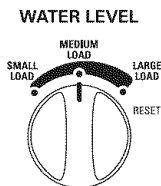
Do not dry anything that has ever had any type of oil on it (including cooking oils).

Doing so can result in death, explosion, or fire.

**WARNING:** To reduce the risk of fire, electric shock, or injury to persons, read the IMPORTANT SAFETY INSTRUCTIONS before operating this appliance.

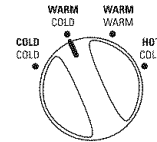
The following is a guide to starting your washer. Periodic references to other sections of this manual provide more detailed information.

1. Pour measured powdered or liquid detergent into the washer. If desired, add powdered or liquid color safe bleach.
2. Place a load of sorted clothes in the washer.
  - Load evenly to maintain washer balance. Mix large and small items. See "Loading."
  - Items should move easily through the wash water. Overloading can cause poor cleaning.
3. Close the washer lid.
4. Turn the WATER LEVEL selector knob to the correct setting for your wash load and the type of fabric being washed.



- Choose a load size that allows the load to move freely for best fabric care. See "Loading."
  - You may change the load size selection after the washer has started filling by turning the selector to a different setting.
5. Set the WATER TEMP selector to the correct setting for the type of fabric and soils being washed.

#### WATER TEMP



Use the warmest water safe for the fabric. Follow garment label instructions.

Water Temp	Use For
Hot	Whites and pastels Heavy soils
Warm	Bright colors Moderate to light soils
Cold	Colors that bleed or fade Light soils

**NOTE:** In wash water temperatures colder than 60°F (15.6°C), detergents do not dissolve well. Soils can be difficult to remove. Some fabrics can retain wear wrinkles and have increased pilling (the formation of small lint-like balls on the surface of garments).

6. Push in the Cycle Control knob and turn it clockwise to the wash cycle you want. Pull out the Cycle Control knob to start the washer.

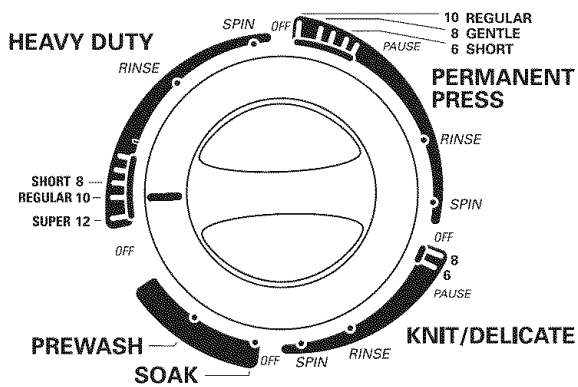
#### To stop or restart your washer:

- To stop the washer at any time, push in the Cycle Control knob.
- To restart the washer, close the lid (if open) and pull out the Cycle Control knob.

## Cycles

This section describes the available wash cycles and will help you make the best cycle selections for your wash loads. Each cycle is designed for different types of fabric and soil levels.

- The washer pauses briefly throughout each cycle. These pauses are normal. Refer to “Normal Sounds” for sounds you may hear during a wash cycle.
- Refer to “Understanding Washer Cycles” to learn what happens during a wash cycle.



### Heavy Duty

Use this cycle for sturdy or heavily soiled loads. Wash combines fast-speed agitation and fast-spin speeds.

- Use the Super or Regular settings for heavily soiled and sturdy fabrics.
- Use the Short setting for light soil and sturdy fabrics.

### Permanent Press

The Permanent Press Cycle includes a load-cooling process that reduces wrinkling. Wash combines fast and slow-speed agitation and slow spin speeds.

When the timer reaches Pause, the washer will drain and pause for approximately 2 minutes while some of the wash water is drained and replaced with rinse water.

### Knit/Delicate

Use this cycle for lingerie and loosely knit items. Partway through the cycle the washer pauses and soaks the load for more gentle care of lightly soiled delicate items. Wash combines slow-speed agitation for gentle soil removal and slow spin speeds to reduce wrinkling.

### Soak

The Soak cycle features 4 minutes of agitation followed by an unlimited soak time to help remove heavy soils and stains that need pretreatment. You will need to reset the washer to a SPIN setting to remove water.

- The Soak cycle should be followed by the Heavy Duty or Permanent Press or Prewash cycle with additional detergent.

**NOTE:** Hot water is not recommended for soaking. It may set some stains.

### Prewash

Use this cycle to get up to 4 minutes of agitation to help remove heavy soils and stains that need pretreatment.

- The Prewash cycle should be followed by the Heavy Duty or Permanent Press cycle with additional detergent.

## Rinse and Spin

When using extra detergent for heavily soiled clothes, or washing special-care items, you may find an extra rinse and spin is needed.

1. Push in the Cycle Control knob and turn it clockwise to any of the RINSE settings.
  - For fast agitation and spin, use the Heavy Duty cycle.
  - For slow agitation and spin, use the Permanent Press cycle.
2. Set the WATER LEVEL and WATER TEMP controls to the desired setting.
3. Pull out the Cycle Control knob. The washer fills to the selected load size, agitates, drains, and spins.

## Drain and Spin

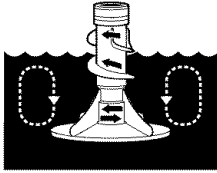
A drain and spin may help shorten drying times for some heavy fabrics or special-care items by removing excess water.

1. Push in the Cycle Control knob and turn it clockwise to any of the SPIN settings.
  - For a fast spin, use the Heavy Duty cycle.
  - For a slow spin, use the Permanent Press cycle.
2. Pull out the Cycle Control knob. The washer drains, then spins.

## Understanding Washer Cycles

When the Cycle Control knob is set to a cycle and pulled out, the washer fills (to the selected load size) before agitation and timing start. The washer begins agitating immediately after filling; agitation occurs with the washer down.

During agitation, the agitator creates a continuous rollover action that provides a thorough cleaning of the wash load.



After agitation starts, the Cycle Control knob turns clockwise until it points to an Off area and the cycle ends.

**NOTE:** The washer pauses briefly throughout each cycle. These pauses are normal for washer operation.

### WASH

### RINSE



1. Fill



1. Fill



2. Wash selected time



2. Rinse



3. Drain\*  
No agitation



3. Drain  
No agitation



4. Spin



4. Spin-Spray  
Rinse



5. Spin

\*The Permanent Press cycle partially drains, fills, agitates briefly, and drains.



6. Off

## Normal Sounds

As with any new product, you will hear sounds that you are not accustomed to. You may hear various sounds occurring during the washing, rinsing, and spinning process. Between changes in wash actions, there will be momentary pauses. You will hear water spraying and splashing during the wash and rinse cycles. You may hear air being pulled through the pump during the end of draining or gears changing when the cycle changes. These sounds are part of normal washer operation.

## LAUNDRY TIPS

### Preparing clothes for washing

Follow these recommendations to help you prolong the life of your garments.

- Close zippers, snaps, and hooks to avoid snagging other items. Remove pins, buckles and other hard objects to avoid scratching the washer interior. Remove non-washable trim and ornaments.
- Empty pockets and turn them inside out.
- Turn down cuffs, brush away lint and dirt.
- Turn synthetic knits inside out to avoid pilling.
- Tie strings and sashes so they will not tangle.
- Mend tears, loose hems and seams.
- Treat spots and stains.
- Stained or wet garments should be washed promptly for best results.

### Sorting

- Separate heavily soiled items from lightly soiled ones, even if they would normally be washed together. Separate lint givers (towels, chenille) from lint takers (corduroy, synthetics, permanent press). When possible, turn lint givers inside out.
- Separate dark colors from light colors, colorfast items from noncolorfast items.
- Sort by fabric and construction (sturdy cottons, knits, delicate items).

## Loading

### Loading suggestions (maximum size loads)

#### Laundry Center

#### Heavy Work Clothes

2 pair pants  
3 work shirts

#### Towels

9 bath towels or  
6 bath towels,  
3 hand towels &  
6 washcloths

#### Permanent Press

6 shirts or  
2 double sheets &  
2 pillowcases or  
2 single sheets &  
2 pillowcases

#### Mixed Load

1 pair pants  
2 pillowcases  
2 shirts  
1 T-shirt

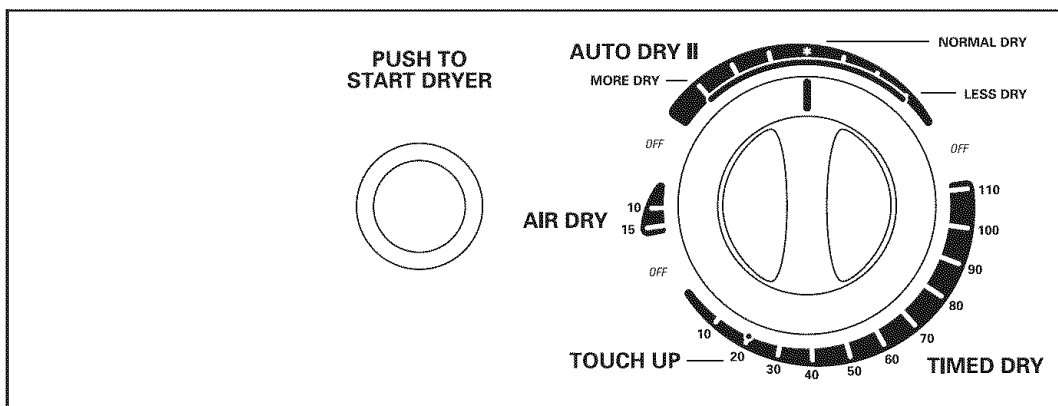
#### Knits

2 pair pants & 2 shirts or  
3 dresses

#### Delicates

1 camisole  
2 slips  
4 undergarments  
1 set of sleepwear  
1 half slip

# DRYER USE



## Starting Your Dryer

### ⚠ WARNING



#### Explosion Hazard

Keep flammable materials and vapors, such as gasoline, away from dryer.

Do not dry anything that has ever had anything flammable on it (even after washing).

Failure to follow these instructions can result in death, explosion, or fire.

### ⚠ WARNING



#### Fire Hazard

No washer can completely remove oil.

Do not dry anything that has ever had any type of oil on it (including cooking oils).

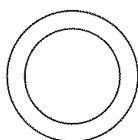
Items containing foam, rubber, or plastic must be dried on a clothesline or by using an Air Cycle.

Failure to follow these instructions can result in death or fire.

Before using your dryer, wipe the dryer drum with a damp cloth to remove dust from storing and shipping.

1. Clean lint screen before each load. See "Cleaning the Lint Screen."
2. Load clothes loosely into the dryer and close the door. Do not pack the dryer. Allow space for clothes to tumble freely.
3. Turn the Cycle Control knob to the recommended cycle and temperature for the type of load being dried. See "Drying, Cycle and Temperature Tips."
4. Press PUSH TO START DRYER.

**PUSH TO  
START DRYER**



### To restart your dryer

1. Close the door.
2. Select a new cycle and temperature (if desired).
3. Press PUSH TO START DRYER.

### Loading

Load clothes loosely into the dryer. Do not pack the dryer. Allow space for clothes to tumble freely. The following chart shows examples of balanced loads that would allow for proper tumbling.

<b>Heavy work clothes</b>	2 pair pants, 3 work shirts
<b>Delicates</b>	1 camisole, 2 slips, 4 undergarments, 1 set of sleepwear, 1 half slip
<b>Towels</b>	9 bath towels or 6 bath towels, 3 hand towels, 6 washcloths
<b>Mixed Load</b>	2 pillowcases, 1 T-shirt, 2 shirts, 1 pair pants
<b>Knits</b>	2 pants, 2 shirts; or 3 dresses
<b>Perm. Press</b>	6 shirts; or 2 double sheets & 2 pillowcases; or 2 single sheets & 2 pillowcases

## Stopping and Restarting

You can stop your dryer anytime during a cycle.

### To stop your dryer

Open the dryer door or turn the Cycle Control knob to OFF.

**NOTE:** The Cycle Control knob should point to an Off area when the dryer is not in use.

## Drying, Cycle and Temperature Tips

Select the correct cycle and temperature for your load.

### Drying tips

- Follow care label directions when they are available.
- If you use fabric softener sheets, use only ones labeled as dryer safe. Follow package instructions.
- Remove the load from the dryer as soon as tumbling stops to reduce wrinkling. This is especially important for permanent press, knits and synthetic fabrics.

### Cycle and temperature tips

- Dry most loads using the Normal Dry (\*) setting.
- Use a More Dry setting for drying heavyweight items such as towels and work clothes.
- Use a Normal Dry setting for drying medium weight items, such as sheets, underwear, permanent press fabrics and some knits.
- Use a Less Dry setting for drying lightweight items such as lingerie, blouses, dresses and some knits.
- Use a no heat (air) setting for rubber, plastic or heat-sensitive fabrics.
- Line dry bonded or laminated fabrics.

If you are unsure of the temperature to select for a load, select a lower setting rather than a higher setting.

**NOTE:** If you have questions about drying temperatures for various loads, refer to the care label directions.

Dry most loads using the Normal Dry (\*) setting. When the cycle ends, check the dryness of the load.

- If the load is drier than you like, select a setting closer to LESS DRY the next time you dry a similar load.
- If the load is not as dry as you like, complete drying using the Timed Dry cycle. The next time you dry a similar load, select a setting closer to MORE DRY.

**NOTE:** Drying time with an automatic cycle varies according to the type of fabric, size of load and temperature setting. See "Drying, Cycle and Temperature Tips."

### Timed Dry

Use this cycle to complete drying if items are still damp after the Auto Dry II cycle. Timed Dry is also useful for heavyweight and bulky items, such as bedspreads, work clothes and large loads that require a long drying time. Use this cycle to get up to 110 minutes of heated drying time. The heating cycle is followed by a 10 minute (approximately) cool down period.

### Touch Up

Use this cycle to smooth synthetic and permanent press clothes that are clean but wrinkled from being crowded in a closet or suitcase. This setting provides approximately 20 minutes of heated tumbling followed by a 10 minute (approximately) cool down period. Remove clothes immediately when tumbling stops.

### Air Dry

Use the Air Dry cycle for items that require drying without heat such as rubber, plastic and heat-sensitive fabrics. This chart shows examples of items that can be dried using an air cycle.

Type of Load	Minutes*
Foam rubber — pillows, padded bras, stuffed toys	20 - 30
Plastic — Shower curtains, tablecloths	20 - 30
Rubber-backed rugs	40 - 50
Olefin, polypropylene, sheer nylon	10 - 20

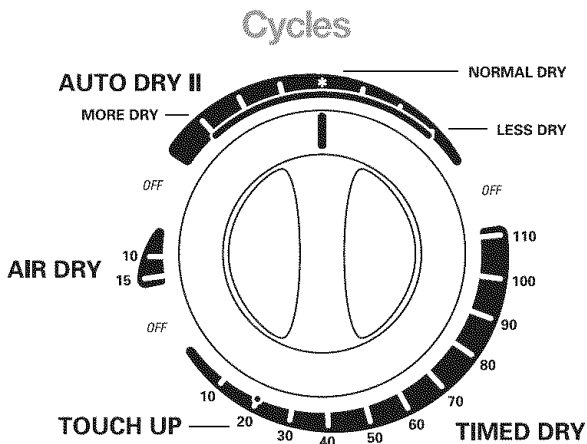
\*Reset time as needed to allow items to completely dry.

### When using Air Dry

- Check to see that coverings are securely stitched.
- Shake and fluff pillows by hand periodically during the cycle.
- Dry item completely. Foam rubber pillows are slow to dry.

### End of Cycle Signal

Your dryer sounds a signal when a drying cycle is finished. This signal is helpful when you are drying items that need to be removed as soon as the dryer stops in order to prevent wrinkles.



### Auto Dry II

Use this cycle to dry most loads. Dryness is determined by thermostats that react to the amount of moisture in the air exhausted from the dryer. Moist air indicates clothes are damp. Dry air indicates that moisture has been removed.

This cycle includes a 10 minute (approximate) cool down period at the end of the cycle to make clothes easier to handle and reduce wrinkling.

# LAUNDRY CENTER CARE

## Cleaning the Laundry Center Location

Keep laundry center area clear and free from items that would obstruct the flow of combustion and ventilation air.

### ⚠ WARNING



#### Explosion Hazard

Keep flammable materials and vapors, such as gasoline, away from dryer.

Failure to do so can result in death, explosion, or fire.

## Cleaning Your Washer

### Cleaning the exterior

Use a soft, damp cloth or sponge to wipe up any spills such as detergent or bleach. Occasionally wipe the outside of your washer to keep it looking new.

### Cleaning the interior

Clean your washer interior by mixing 1 cup (250 mL) of chlorine bleach and 2 scoops or caps full of detergent. Pour this into your washer and run it through a complete cycle using hot water. Repeat this process if necessary.

**NOTE:** Remove any hard water deposits using only cleaners labeled as washer safe.

## Water Inlet Hoses

Replace inlet hoses after 5 years of use to reduce the risk of hose failure. Periodically inspect and replace inlet hoses if bulges, kinks, cuts, wear, or leaks are found.

When replacing your inlet hoses, mark the date of replacement on the label with a permanent marker.

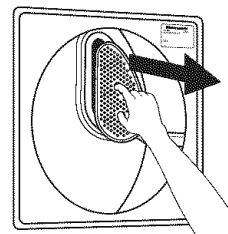
## Cleaning the Lint Screen

### Every load cleaning

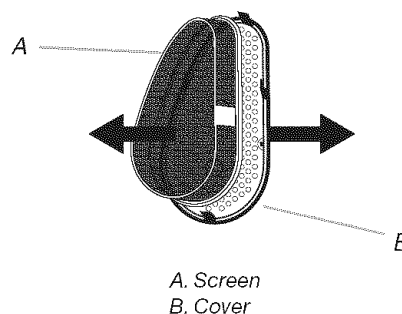
The lint screen is located on the back wall of the dryer. Remove lint before each load. A screen blocked by lint can increase drying time.

### To clean

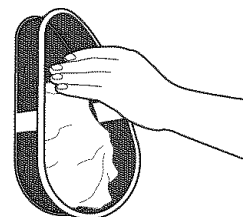
1. Pull out the lint screen and its cover.



2. Separate the cover and the screen by squeezing the screen and pulling on the cover at the same time.



3. Roll lint off the screen with your fingers. Do not rinse or wash screen to remove lint. Wet lint is hard to remove.



4. Put the lint screen and cover back together and push firmly back into place.

### IMPORTANT:

- Do not run the dryer with the lint screen loose, damaged, blocked, or missing. Doing so can cause overheating and damage to both the dryer and fabrics.
- If lint falls off the screen into the dryer during removal, check the exhaust hood and remove lint. See "Venting Requirements."

### As needed cleaning

Laundry detergent and fabric softener residue can build up on the lint screen. This buildup can cause longer drying times for your clothes, or cause the dryer to stop before your load is completely dry. The screen is probably clogged if lint falls off the screen.

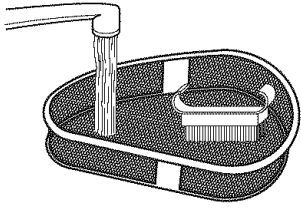
Clean the lint screen (as outlined following) every 6 months, or more frequently if it becomes clogged due to a residue buildup.

### To wash

1. Roll lint off the screen with your fingers.
2. Wet both sides of lint screen with hot water.



- Wet a nylon brush with hot water and liquid detergent. Scrub lint screen with the brush to remove residue buildup.



- Rinse screen with hot water.
- Thoroughly dry lint screen with a clean towel. Replace screen in dryer.

## Cleaning the Dryer Interior

### To clean dryer drum

- Apply a liquid, nonflammable household cleaner to the stained area and rub with a soft cloth until all excess dye is removed.
- Wipe drum thoroughly with a damp cloth.
- Tumble a load of clean cloths or towels to dry drum.

**NOTE:** Garments which contain unstable dyes, such as denim blue jeans or brightly colored cotton items, may discolor the dryer interior. These stains are not harmful to your dryer and will not stain future loads of clothes. Dry unstable dye items inside out to prevent dye transfer.

## Removing Accumulated Lint

### From Inside the Dryer Cabinet

Lint should be removed every 2 years, or more often, depending on dryer usage. Cleaning should be done by a qualified person.

### From the Exhaust Vent

Lint should be removed every 2 years, or more often, depending on dryer usage.

## Vacation, Storage and Moving Care

Install and store your laundry center where it will not freeze. Because some water may stay in the hoses, freezing can damage your laundry center. If storing or moving your laundry center during freezing weather, winterize it.

### Non-use or vacation care

Operate your laundry center only when you are at home. If you will be on vacation or not using your laundry center for an extended period of time, you should:

- Unplug laundry center or disconnect power.
- Turn off the water supply to the washer. This helps avoid accidental flooding (due to a water pressure surge) while you are away.

### To winterize laundry center

- Shut off both water faucets.
- Disconnect and drain water inlet hoses.
- Put 1 qt (1 L) of R.V.-type antifreeze in the basket.
- Run washer on a drain and spin setting for about 30 seconds to mix the antifreeze and water.
- Unplug laundry center or disconnect power.

### To use laundry center again

- Flush water pipes and hoses.
- Reconnect water inlet hoses.
- Turn on both water faucets.

## ⚠ WARNING



### Electrical Shock Hazard

Plug into a grounded 3 prong outlet.

Do not remove ground prong.

Do not use an adapter.

Do not use an extension cord.

Failure to follow these instructions can result in death, fire, or electrical shock.

- Plug in laundry center or reconnect power.
- Run the washer through a complete cycle with 1 cup (250 mL) of detergent to clean out antifreeze.

### To transport the laundry center

- Shut off both water faucets.
- Disconnect and drain water inlet hoses.
- If laundry center will be moved during freezing weather, put in a qt (1 L) of R.V.-type antifreeze in the basket. Run washer on a spin setting for about 30 seconds to mix the antifreeze and water.
- Disconnect the drain from the drain system.
- Unplug laundry center or disconnect power. Disconnect wiring if laundry center is direct wired.
- Disconnect the exhaust vent.
- Wash lint screen.
- Make sure leveling legs are secure.
- Place the inlet hoses into the basket.
- Drape the power cord and drain hose over edge and into the basket.
- Use masking tape to secure the washer lid and dryer door.

### Reinstalling your laundry center

- Follow the "Installation Instructions" to locate, level and connect the laundry center.
- Run the washer through a complete cycle with 1 scoop or capful of detergent to clean the washer and remove the antifreeze, if used.

# TROUBLESHOOTING WASHER

First try the solutions suggested here and possibly avoid the cost of a service call...

## Washer and Components

### Noisy, vibrating, off-balance

- **Is the floor flexing, sagging or not level?** Flooring that flexes or is uneven can contribute to noise and vibration of the washer. A ¾" (1.9 cm) piece of plywood under the washer will reduce the sounds. See "Installation Instructions."
- **Is the laundry center level?** The laundry center must be level. See "Level Laundry Center."
- **Is the load balanced?** Evenly distribute the load in the washer basket and make sure the height of the load does not exceed the top row of basket holes.
- **Are the gears engaging after the drain and before spin, or is the upper part of agitator clicking during wash?** These are normal washer noises.
- **Is the washer gurgling or humming?** When the washer drains, the pump will make a continuous humming with periodic gurgling or surging sounds as the final amounts of water are removed. This is normal.
- **The washer basket moves while washing.** This is normal.

### Leaking

- **Are the fill hoses tight?**
- **Are the fill hose gaskets properly seated?** Check both ends of each hose. See "Connect Inlet Hoses" in the Installation Instructions.
- **Is the drain hose properly installed?** The drain hose should be secured to the drainpipe or laundry tub. See "Secure Drain Hose" in the Installation Instructions.
- **Is the sink or drain clogged?** Sink and drainpipe must be able to carry away 17 gal. (64 L) of water per minute. If sink or drainpipe is clogged or slow, water can back up out of drainpipe or sink. Check household plumbing (laundry tubs, faucets, drainpipe, water pipes) for leaks.
- **Is water splashing off the tub ring?** Center the tub before starting the washer.
- **Is water splashing off the load?** Evenly distribute the load in the washer basket and make sure the height of the load does not exceed the top row of basket holes. The fill or spray rinses can splash off the load.

## Washer Operation

### Washer won't run, fill, rinse or agitate; washer stops

#### **⚠ WARNING**



#### Electrical Shock Hazard

Plug into a grounded 3 prong outlet.

Do not remove ground prong.

Do not use an adapter.

Do not use an extension cord.

Failure to follow these instructions can result in death, fire, or electrical shock.

- **Is the power cord plugged into a grounded 3 prong outlet?** Plug power cord into a grounded 3 prong outlet.
- **Are you using an extension cord?** Do not use an extension cord.
- **Is the indicator on the Cycle control knob properly lined up with a cycle?** Turn the Cycle control knob to the right slightly and pull to start.
- **Are the water inlet valve screens clogged?** Turn off the water and remove inlet hoses from the washer. Remove any accumulated film or particles. Reinstall hoses, turn on water and check for leaks.
- **Are both the hot and cold water faucets turned on?** Turn on the water.
- **Is the water inlet hose kinked?** Straighten the hoses.
- **Does the water level seem too low, or does the washer appear to not fill completely?** The top of the agitator is much higher than the highest water level. This is normal and necessary for clothes to move freely.
- **Has a household fuse blown, or has a circuit breaker tripped?** Replace the fuse, or reset the circuit breaker. If the problem continues, call an electrician.
- **Is the washer in a normal pause in the cycle?** The washer pauses for about 2 minutes during certain cycles. Allow the cycle to continue. Some cycles feature periods of agitation and soak.
- **Is the washer overloaded?** Wash smaller loads.
- **Is the lid open?** The lid must be closed during operation. Washer will not agitate or spin with the lid open.

---

### Washer continues to fill or drain, cycle seems stuck

---

- **Is the top of drain hose lower than the control knobs on washer?** The top of the drain hose must be at least 39" (99 cm) above the floor. See "Drain System" in the Installation Instructions.
- **Does the drain hose fit too tightly in the standpipe, or is it taped to the standpipe?** The drain hose should be loose yet fit securely. Do not seal the drain hose with tape. The hose needs an air gap. See "Secure Drain Hose" in the Installation Instructions.

---

### Washer won't drain or spin, water remains in washer

---

- **Is the drain hose clogged, or the end of the drain hose more than 96" (244 cm) above the floor?** See "Drain System" in the Installation Instructions.
- **Is the lid open?** The lid must be closed during operation. Washer will not agitate or spin with the lid open.
- **Is there excessive sudsing?** Always measure detergent. Follow manufacturer's directions. If you have very soft water, you might need to use less detergent.

---

### Wash/Rinse temperature

---

- **Are the hot and cold water inlet hoses reversed?** See "Connect Inlet Hoses" in the Installation Instructions.
- **Are you washing many loads?** As your frequency of loads washed increases, the water temperature may decrease for hot and warm temperatures. This is normal.

---

## Clothing Care

---

### Load too wet

---

- **Did you use the right cycle for the load being washed?** Select a cycle with a higher spin speed (if available).
- **Did you wash an extra large load?** A large unbalanced load could result in a reduced spin speed and wet clothes at the end of the cycle. Evenly distribute the load and make sure the height of the load does not exceed the top row of basket holes.

---

### Residue or lint on load

---

- **Did you sort properly?** Sort lint givers (towels, chenille) from lint takers (corduroy, synthetics). Also sort by color.
- **Did you overload the washer?** The wash load must be balanced and not overloaded. Clothes should move freely. Lint or powdered detergent can be trapped in the load if overloaded. Wash smaller loads.
- **Did you select the correct water level?** The water level should be correct for the load size. The load should be under water.
- **Did you use enough detergent?** Follow manufacturer's directions. Use enough detergent to hold the lint in the water.
- **Did you line dry your clothing?** If so, you can expect some lint on the clothing. The air movement and tumbling of a dryer removes lint from the load.
- **Was paper or tissue left in the pockets?**

- **Is your water colder than 60°F (15.6°C)?** Wash water colder than 60°F (15.6°C) may not completely dissolve the detergent.
- **Did you use the proper cycle time and agitation speed for the load?** Reducing wash time (duration) and agitation speed are ways to reduce lint.

---

### Load is wrinkled, twisted or tangled

---

- **Did you unload the washer promptly?** Unload the washer as soon as it stops.
- **Did you use the right cycle for the load being washed?** Use cycles with shorter wash times and low wash and spin speeds (if available) to reduce wrinkling, tangling and twisting.
- **Did you overload the washer?** The wash load must be balanced and not overloaded. Loads should move freely during washing to reduce wrinkling, tangling and twisting.
- **Was the wash water warm enough to relax wrinkles?** If safe for the load, use warm or hot wash water. Use cold rinse water.
- **Are the hot and cold water hoses reversed?** Check to be sure the hot and cold water hoses are connected to the right faucets. A hot rinse followed by spin will cause wrinkling. See "Connect Inlet Hoses" in the Installation Instructions.
- **Did you wrap items around the agitator?** Drop items loosely into the washer. Do not wrap items around the agitator.

---

### Stains, gray whites, dingy colors

---

- **Did you properly sort the load?** Dye transfer can occur when mixing whites and colors in a load. Sort dark clothes from whites and lights.
- **Was the wash temperature too low?** Use hot or warm washes if safe for the load. Make sure your hot water system is adequate to provide a hot water wash.
- **Did you use enough detergent, or do you have hard water?** Use more detergent for washing heavy soils in cold or hard water.
- **Are the hot and cold water hoses reversed?** Check to be sure the hot and cold water hoses are connected to the right faucets. See "Connect Inlet Hoses" in the Installation Instructions.
- **Did you follow the manufacturer's directions when adding detergent and fabric softener?** Measure detergent and fabric softener. Use enough detergent to remove soil and hold it in suspension. Dilute fabric softener and add to the rinse portion of a cycle only. Do not drip fabric softener onto clothes.
- **Is there above average iron (rust) in water?** You may need to install an iron filter.

---

### Garments damaged

---

- **Were sharp items removed from pockets before washing?** Empty pockets, zip zippers, snap or hook fasteners before washing to prevent snagging and tearing of load.
- **Were strings and sashes tied to prevent tangling?** Straps and strings can easily become entangled in the load, causing strain on seams and tearing.
- **Were items damaged before washing?** Mend rips and broken threads in seams before washing.

- **Did you overload the washer?** The wash load must be balanced and not overloaded. Loads should move freely during washing.
- **Did you add chlorine bleach properly?** Do not pour chlorine bleach directly onto load. Wipe up bleach spills. Undiluted bleach will damage fabrics. Do not place load items on top of the bleach dispenser when loading and unloading the washer (on some models). Do not use more than the manufacturer's recommended amount for a full load.
- **Did you follow the manufacturer's care label instructions?**

---

## TROUBLESHOOTING DRYER

---

First try the solutions suggested here and possibly avoid the cost of a service call...

---

### Dryer Operation

---

#### Dryer will not run

---

- **Has a household fuse blown, or has a circuit breaker tripped?** There may be 2 fuses or circuit breakers for the dryer. Check to make sure both fuses are intact and tight, or that both circuit breakers have not tripped. Replace the fuse or reset the circuit breaker. If the problem continues, call an electrician.
- **Is the correct power supply available?** Electric dryers require 240 volt power supply. Check with a qualified electrician.
- **Was a regular fuse used?** Use a time-delay fuse.
- **Is the dryer door firmly closed?**
- **Was the PUSH TO START DRYER button firmly pressed?**

#### No heat

---

- **Has a household fuse blown, or has a circuit breaker tripped?** The drum may be turning, but you may not have heat. Electric dryers use 2 fuses or circuit breakers. Replace the fuse or reset the circuit breaker. If a problem continues, call an electrician.

#### Unusual sounds

---

- **Has the dryer had a period of non-use?** If the dryer hasn't been used for a while, there may be a thumping sound during the first few minutes of operation.
- **Is a coin, button, or paper clip caught between the drum and front or rear of the dryer?** Check the front and rear edges of the drum for small objects. Clean out pockets before laundering.
- **Are the four legs installed, and is the dryer level front to back and side to side?** The dryer may vibrate if not properly installed. See the Installation Instructions.
- **Is the clothing knotted or balled up?** When balled up, the load will bounce, causing the dryer to vibrate. Separate the load items and restart the dryer.

#### Timer does not noticeably advance

---

- **Is the dryer set to Timed or Air Dry?** The timer moves slowly and continuously for the time setting.
- **Is the dryer set to Automatic Drying?** The timer moves only when the clothing is mostly dry.

### Dryer Results

---

#### Clothes are not drying satisfactorily, drying times are too long, or load is too hot

---

- **Is the lint screen clogged with lint?** Lint screen should be cleaned before each load.

### ⚠ WARNING



#### Fire Hazard

Use a heavy metal vent.

Do not use a plastic vent.

Do not use a metal foil vent.

Failure to follow these instructions can result in death or fire.

- **Is the exhaust vent or outside exhaust hood clogged with lint, restricting air movement?** Run the dryer for 5-10 minutes. Hold your hand under the outside exhaust hood to check air movement. If you do not feel air movement, clean exhaust system of lint or replace exhaust vent with heavy metal or flexible metal vent. See "Venting Requirements."
- **Are fabric softener sheets blocking the grille?** Use only one fabric softener sheet, and use it only once.
- **Is the exhaust vent the correct length?** Check that the exhaust vent is not too long or has too many turns. Long venting will increase drying times. See "Venting Requirements."
- **Is the exhaust vent diameter the correct size?** Use 4" (10.2 cm) diameter vent material.

## **⚠ WARNING**



### **Explosion Hazard**

Keep flammable materials and vapors, such as gasoline, away from dryer.

Place dryer at least 18 inches (46 cm) above the floor for a garage installation.

Failure to do so can result in death, explosion, or fire.

- **Is the dryer located in a room with temperature below 45°F (7°C)?** Proper operation of dryer cycles requires temperatures above 45°F (7°C).
- **Is the dryer located in a closet?** Closet doors must have ventilation openings at the top and bottom of the door. Sides and front of dryer require a minimum of 1" (2.5 cm) of airspace, and the rear of the dryer requires 5½" (14 cm). See "Location Requirements."
- **Has an air dry cycle been selected?** Select the right cycle for the types of garments being dried.
- **Is the load too large and heavy to dry quickly?** Separate the load to tumble freely.

---

### **Lint on load**

---

- **Is the lint screen clogged?** Lint screen should be cleaned before each load.

---

### **Stains on load or drum**

---

- **Was dryer fabric softener properly used?** Add dryer fabric softener sheets at the beginning of the cycle. Fabric softener sheets added to a partially dried load can stain your garments.  
Drum stains are caused by dyes in clothing (usually blue jeans). This will not transfer to other clothing.

---

### **Loads are wrinkled**

---

- **Was the load removed from dryer at the end of the cycle?**
- **Was the dryer overloaded?** Dry smaller loads that can tumble freely.

---

### **Odors**

---

- **Have you recently been painting, staining or varnishing in the area where your dryer is located?** If so, ventilate the area. When the odors or fumes are gone from the area, rewash and dry the clothing.
- **Is the dryer being used for the first time?** The new electric heating element may have an odor. The odor will be gone after the first cycle.

# ÍNDICE

CONTRATOS DE PROTECCIÓN.....	30
GARANTÍA.....	31
SEGURIDAD DE LA LAVADORA/SECADORA.....	32
INSTRUCCIONES DE INSTALACIÓN.....	33
Herramientas y piezas.....	33
Piezas alternativas.....	33
Requisitos de localización.....	34
Sistema de desagüe.....	35
Requisitos eléctricos.....	35
Conexión eléctrica.....	37
Requisitos de ventilación.....	42
Instalación de las patas niveladoras.....	43
Para quitar el embalaje de hule espuma.....	43
Conecte la manguera de desagüe.....	43
Conecte las mangueras de entrada.....	44
Fijación de la manguera de desagüe.....	45
Planificación del sistema de ventilación.....	45
Instalación del sistema de ventilación.....	47
Para nivelar el centro de lavandería.....	47
Conexión del ducto de escape.....	47
Cómo terminar la instalación.....	47
USO DE LA LAVADORA.....	48
Puesta en marcha de la lavadora.....	48
Ciclos.....	49
Enjuague y exprimido.....	49
Desagüe y exprimido.....	49
Para comprender los ciclos de la lavadora.....	49
Sonidos normales.....	50
CONSEJOS DE LAVANDERÍA.....	50
Cómo cargar.....	50
USO DE LA SECADORA.....	51
Puesta en marcha de su secadora.....	51
Para detener y volver a poner en marcha.....	51
Cómo cargar.....	52
Consejos de secado, ciclos y temperatura.....	52
Ciclos.....	52
CUIDADO DEL CENTRO DE LAVANDERÍA.....	53
Limpieza del lugar donde está del centro de lavandería.....	53
Cómo limpiar su lavadora.....	53
Mangueras de entrada de agua.....	53
Limpieza del filtro de pelusa.....	53
Limpieza del interior de la secadora.....	54
Eliminación de pelusa acumulada.....	54
Cuidado para las vacaciones, el almacenaje o en caso de mudanza.....	54
SOLUCIÓN DE PROBLEMAS DE LA LAVADORA.....	55
SOLUCIÓN DE PROBLEMAS DE LA SECADORA.....	58

# CONTRATOS DE PROTECCIÓN

## Contratos Maestros de Protección

¡Felicitaciones por su inteligente adquisición! Su nuevo producto Kenmore® ha sido diseñado y fabricado para brindarle años de funcionamiento confiable. Pero al igual que todos los productos, puede necesitar mantenimiento ivo o reparación de vez en cuando. Es allí donde el Contrato Maestro de Protección puede ahorrarle dinero e inconvenientes.

*Adquiera un Contrato Maestro de Protección hoy y protéjase contra molestias y gastos inesperados.*

El Contrato Maestro de Protección también ayuda a prolongar la vida de su nuevo producto. He aquí lo que se incluye en el Contrato:

- ✓ **Servicio experto** por nuestros 12.000 especialistas en reparación competentes
- ✓ **Servicio ilimitado y gratuito** para repuestos y mano de obra en todas las reparaciones protegidas por el contrato
- ✓ **Garantía "sin disgustos"** - reemplazo de su producto protegido si ocurren cuatro o más fallas del producto en el transcurso de doce meses
- ✓ **Reemplazo del producto** si su producto protegido no puede ser reparado
- ✓ **Revisión Anual de Mantenimiento ivo** a solicitud suya - sin costo adicional
- ✓ **Ayuda rápida por teléfono** - asistencia por teléfono a cargo de un técnico de Sears para productos que deban ser reparados en su hogar, además de un horario de reparación conveniente
- ✓ **Protección de sobrevoltaje** contra daños eléctricos debido a fluctuaciones de electricidad
- ✓ **Reembolso de la renta** si la reparación de su producto protegido tarda más de lo prometido

Una vez adquirido el Contrato, tan sólo tiene que llamar para fijar la visita de servicio técnico. Usted puede llamar a cualquier hora, de día o de noche, o fijar una visita técnica en internet.

Sears cuenta con un equipo de más de 12.000 especialistas en reparación competentes, quienes tienen a disposición más de 4,5 millones de piezas y accesorios de calidad. Ése es el tipo de profesionalismo con el que usted puede contar para ayudarle a prolongar la vida de su nuevo artefacto por muchos años más. ¡Adquiera hoy su Contrato Maestro de Protección!

**Se aplican algunas limitaciones y exclusiones. Para obtener precios e información adicional, llame al 1-800-827-6655.**

## Servicio de Instalación de Sears

Para la instalación profesional de Sears de artefactos electrodomésticos, abridores de puertas de garaje, calentadores de agua y otros artículos importantes de la casa, en los EE.UU. llame al **1-800-4-MY-HOME®**.

# GARANTÍA DE LOS ELECTRODOMÉSTICOS KENMORE

## GARANTÍA LIMITADA DE UN AÑO

Cuando este electrodoméstico haya sido instalado, operado y mantenido según las instrucciones provistas con el producto, si este electrodoméstico falla por defectos de material o de mano de obra dentro de un año a partir de la fecha de compra, llame al 1-800-4-MY-HOME® para gestionar la reparación libre de cargo.

Si este electrodoméstico es empleado para algún otro uso que no sea el doméstico familiar, esta garantía sólo tiene vigencia por 90 días a partir de la fecha de compra.

## ESTA GARANTÍA CUBRE SOLAMENTE LOS DEFECTOS DE MATERIAL Y MANO DE OBRA. SEARS NO PAGARÁ POR LO SIGUIENTE:

1. Los artículos no reutilizables que pueden gastarse por el uso normal, incluyendo, pero sin limitación, filtros, correas, focos y bolsas.
2. Un técnico de servicio para enseñarle al usuario cómo instalar, operar o mantener el producto adecuadamente.
3. Un técnico de servicio para limpiar o mantener este producto.
4. Daños a este producto o fallas del mismo en caso de no ser instalado, operado o mantenido conforme a todas las instrucciones provistas con el producto.
5. Daños a este producto o fallas del mismo como resultado de accidente, abuso, uso indebido o un uso diferente de aquel para el cual fue creado.
6. Daños a este producto o fallas del mismo causados por el uso de detergentes, limpiadores, productos químicos o utensilios diferentes de los recomendados en todas las instrucciones provistas con el producto.
7. Daños a piezas o sistemas o fallas de los mismos como resultado de modificaciones no autorizadas que se hayan efectuado en este producto.

## EXCLUSIÓN DE GARANTÍAS IMPLÍCITAS; LIMITACIÓN DE RECURSOS

El único y exclusivo recurso del cliente según los términos de esta garantía limitada será el de reparar el producto según se estipula en la presente. Las garantías implícitas, incluyendo las garantías de comerciabilidad o de capacidad para un propósito particular, serán limitadas a un año o al período más corto permitido por ley. Sears no se hará responsable por daños incidentales o consecuentes. Algunos estados y provincias no permiten la exclusión o limitación de daños incidentales o consecuentes, o limitaciones acerca de cuánto debe durar una garantía implícita de comerciabilidad o capacidad, de modo que las limitaciones o exclusiones arriba mencionadas pueden no aplicarse en su caso.

Esta garantía se aplica sólo mientras este electrodoméstico se usa en los Estados Unidos y Canadá.

Esta garantía le otorga derechos legales específicos, y es posible que usted tenga también otros derechos, los cuales varían de un estado a otro.

**Sears, Roebuck and Co.**  
**Dept. 817WA, Hoffman Estates, IL 60179**  
**Sears Canada Inc.**  
**Toronto, Ontario, Canada M5B 2B8**

## REGISTRO DEL PRODUCTO

En el espacio a continuación, anote el número completo de modelo y serie así como la fecha de compra. Usted puede encontrar esta información en la etiqueta con el número de modelo y de serie ubicada en el producto.

Tenga esta información disponible para facilitarle la obtención de asistencia o servicio con prontitud siempre que llame a Sears con respecto a su electrodoméstico.

Número de modelo \_\_\_\_\_

Número de serie \_\_\_\_\_

Fecha de compra \_\_\_\_\_

**Guarde estas instrucciones y su comprobante de compra para referencia futura.**

# SEGURIDAD DE LA LAVADORA/SECADORA

## Su seguridad y la seguridad de los demás es muy importante.

Hemos incluido muchos mensajes importantes de seguridad en este manual y en su electrodoméstico. Lea y obedezca siempre todos los mensajes de seguridad.



Este es el símbolo de advertencia de seguridad.

Este símbolo le llama la atención sobre peligros potenciales que pueden ocasionar la muerte o una lesión a usted y a los demás.

Todos los mensajes de seguridad irán a continuación del símbolo de advertencia de seguridad y de la palabra "PELIGRO" o "ADVERTENCIA". Estas palabras significan:

**⚠ PELIGRO**

**Si no sigue las instrucciones de inmediato, usted puede morir o sufrir una lesión grave.**

**⚠ ADVERTENCIA**

**Si no sigue las instrucciones, usted puede morir o sufrir una lesión grave.**

Todos los mensajes de seguridad le dirán el peligro potencial, le dirán cómo reducir las posibilidades de sufrir una lesión y lo que puede suceder si no se siguen las instrucciones.

## INSTRUCCIONES IMPORTANTES DE SEGURIDAD

**ADVERTENCIA:** A fin de reducir el riesgo de incendio, descarga eléctrica o de daño a las personas que usen la lavadora/la secadora, deben seguirse las precauciones básicas, incluidas las siguientes:

- Lea todas las instrucciones antes de usar la lavadora/la secadora.
- No coloque los objetos expuestos a aceite para cocinar en su secadora. Los objetos expuestos a aceites para cocinar pueden contribuir a una reacción química que podría causar que la ropa se inflame.
- No lave o seque artículos que hayan sido previamente limpiados, lavados, remojados o humedecidos con gasolina, disolventes de limpieza en seco, u otras sustancias inflamables o explosivas ya que éstas emanan vapores que podrían encenderse o causar una explosión.
- No agregue gasolina, solventes para lavar en seco, u otras sustancias inflamables o explosivas al agua de lavado. Estas sustancias emanan vapores que podrían encenderse o causar una explosión.
- No permita que los niños jueguen encima o dentro de la lavadora/la secadora. Es necesario una supervisión cuidadosa de los niños cada vez que se use la lavadora/la secadora cerca de ellos.
- Antes de poner la lavadora/la secadora fuera de servicio o desecharla, quite las puertas a los compartimientos de la lavadora/la secadora.
- No introduzca las manos en la lavadora/la secadora cuando la tina, el agitador, o el tambor están movimiento.
- No instale o almacene esta lavadora/secadora donde esté expuesta al agua o a la intemperie.
- No trate de jugar con los controles.
- Limpie el filtro de pelusa antes o después de cada carga de ropa.
- En ciertas condiciones, puede generarse gas hidrógeno en un sistema de agua caliente que no se haya usado por dos semanas o un período mayor. **EL GAS HIDRÓGENO ES EXPLOSIVO.** Si no se ha usado el agua caliente durante dicho período, antes de usar la lavadora, abra todos los grifos de agua caliente y deje que corra el agua por varios minutos. Esto liberará todo el gas hidrógeno que se haya acumulado. Debido a la inflamabilidad de dicho gas, no fume ni use una llama abierta durante este lapso.
- No repare o reemplace ninguna pieza de la lavadora/la secadora ni trate de repararla a menos que esto se recomiende específicamente en el Manual de Uso y Cuidado o en instrucciones de reparación publicadas para el usuario que usted comprenda y sólo si cuenta con la experiencia necesaria para llevar a cabo dicha reparación.
- No utilice suavizante de telas o productos para eliminar la estática de prendas a menos que lo recomiende el fabricante del suavizante de telas o del producto en uso.
- No utilice calor para secar prendas que contengan hule espuma o materiales con textura de hule similar.
- Mantenga el área alrededor de la abertura de ventilación y las áreas adyacentes a esta abertura sin pelusa, polvo o suciedad.
- La parte interior de la máquina y el ducto de escape se deben limpiar periódicamente. Esta limpieza la debe llevar a cabo un reparador calificado.
- Para obtener información respecto a los requisitos de conexión a tierra, refiérase a los "Requisitos Eléctricos".

**GUARDE ESTAS INSTRUCCIONES**



# INSTRUCCIONES DE INSTALACIÓN

## Herramientas y piezas

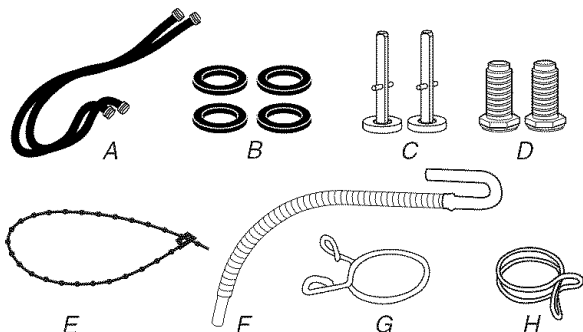
Reúna las herramientas y piezas necesarias antes de comenzar la instalación. Lea y siga las instrucciones provistas con cualquiera de las herramientas enlistadas aquí.

### Herramientas necesarias

- Destornillador Phillips #2 y de cabeza plana
- Llave de tuercas ajustable que se abra a 1" (2,5 cm) o una llave de extremo abierto de 3/16" (para regular las patas de la secadora)
- Pelacables (instalaciones de cableado directo)
- Tijeras de lata (instalaciones del nuevo ducto de escape)
- Llave para tuercas de 1/4" o llave de cubo (se recomienda)
- Pistola y masilla para calafateo (para instalar el nuevo ducto de escape)
- Abrazaderas para ducto
- Bloque de madera (para nivelar)
- Regla o cinta para medir
- Nivel
- Cuchillo
- Alicates
- Tijeras

### Piezas suministradas

Retire el paquete de piezas de la canasta de la lavadora. Verifique que estén todas las piezas.



- A. Mangueras de entrada de agua (2)  
 B. Arandelas planas de la manguera de entrada (4)  
 C. Patas niveladoras traseras (2)  
 D. Patas niveladoras delanteras (2)

- E. Fleje de plástico  
 F. Manguera de desagüe  
 G. Abrazadera de manguera unifilar, amarilla  
 H. Abrazadera de manguera de doble hilo, plateada

### Piezas para adquirir

Verifique los códigos locales, el suministro eléctrico y la ventilación, y lea "Requisitos eléctricos" y "Requisitos de ventilación" antes de comprar las piezas.

Las instalaciones en casas rodantes necesitan artículos de ferretería para sistemas de ventilación de metal que se pueden comprar en su tienda Sears o en el centro de servicio técnico Sears de su localidad. Para más información, llame por favor **1-800-4-MY-HOME® (1-800-469-4663)**.

## Piezas alternativas

Las piezas aquí enumeradas se pueden adquirir en la tienda Sears o en el Centro de Servicio Sears de su localidad. Para más información, llame por favor al **1-800-4-MY-HOME® (1-800-469-4663)**.

Si tiene	Necesitará adquirir
Un lavadero o tubo vertical a una altura mayor de 96" (2,4 m)	Sistema de bomba de sumidero (si ya no está disponible)
Tubo vertical de 1" (2,5 cm) de diámetro	Adaptador de tubo vertical de 2" (5 cm) a 1" (2,5 cm) de diámetro, pieza número 3363920
Una alcantarilla suspendida	Un tanque de desagüe normal o un lavadero de uso general de 20 gal. (76 L) de capacidad y 34" (86,4 cm) de altura y una bomba de sumidero (en venta en establecimientos de fontanería locales)
Un desagüe por el piso	Desviación del sifón, pieza No. 285320; manguera de desagüe adicional, pieza número 285702; y juego de conectores, pieza número 285442
Una manguera de desagüe muy corta	Manguera de desagüe, pieza número 285664 y juego de conectores, pieza número 285442
Desagüe obstruido por pelusa	Protector de desagüe, pieza número 367031
Grifos del agua fuera del alcance de las mangueras de llenado	2 mangueras de llenado de agua más largas: de 6 pies (1,8 m) pieza número 76314, de 10 pies (3,0 m) pieza número 350008

## Requisitos de localización

### ⚠ ADVERTENCIA



#### Peligro de Explosión

Mantenga los materiales y vapores inflamables, tales como la gasolina, alejados de la secadora.

No seguir estas instrucciones puede ocasionar la muerte, explosión o incendio.

#### Usted necesitará

- Una localización que permita una instalación adecuada del ducto de escape. Consulte "Requisitos de ventilación."
- Un circuito separado de 30 amperios.
- Un contacto con conexión a tierra ubicado a unos 2 pies (61 cm) de cualquiera de los lados del centro de lavandería. Vea "Requisitos eléctricos."
- Un piso resistente que sostenga el peso del centro de lavandería (el centro de lavandería, el agua y la carga) de 500 lbs (226,8 kgs).
- Un piso nivelado con un declive máximo de 1" (2,5 cm) debajo del centro de lavandería completo. La ropa quizás no rote adecuadamente y los ciclos del sensor automático posiblemente no funcionen debidamente si el centro de lavandería no está nivelado. No se recomienda la instalación sobre una alfombra.
- Un calentador de agua ajustado para suministrar agua de 120°F (49°C) a la lavadora.
- Grifos de agua fría y caliente ubicados, cuando mucho, a 4 pies (1,2 m) de las válvulas de llenado de agua fría y caliente y la presión del agua deberá ser de 5-100 lbs/pulg<sup>2</sup> (34,5-689,6 kPa).

No debe instalarse ni guardarse el centro de lavandería en un área en donde pueda estar expuesta al agua y/o a la intemperie.

No haga funcionar su lavadora a temperaturas iguales o inferiores a 32°F (0°C). El agua que quede en la lavadora puede ocasionar daños a bajas temperaturas. Vea la sección "Cuidado para las vacaciones, almacenaje o en caso de mudanza" para saber cómo acondicionarla para el invierno.

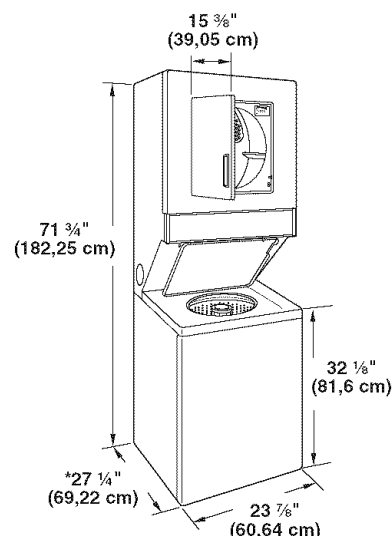
No haga funcionar su secadora a temperaturas inferiores a 45°F (7°C). A temperaturas inferiores, es posible que la secadora no se apague al final de un ciclo automático. Esto puede resultar en tiempos de secado más largos.

Verifique los requisitos de los códigos. Algunos códigos limitan, o no permiten, la instalación del centro de lavandería en garajes, clósets, casas rodantes o en dormitorios. Póngase en contacto con el inspector de construcciones de su localidad.

#### Espacios para la instalación

La ubicación debe ser lo suficientemente grande para poder abrir completamente la puerta de la secadora.

#### Dimensiones del centro de lavandería

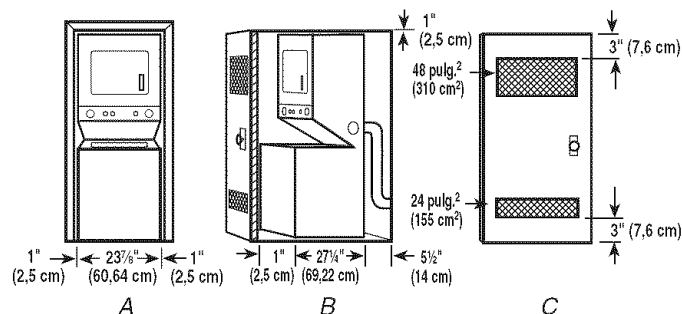


\* La mayoría de las instalaciones requieren un espacio libre mínimo de 5 1/2" (14 cm) detrás de la secadora para acomodar el ducto de escape con codo. Vea "Requisitos de ventilación."

#### Espacio mínimo para la instalación en áreas empotradas o en clósets

Las siguientes dimensiones ilustradas son para el espacio mínimo permitido.

- Debe considerarse el espacio adicional para facilitar la instalación y el servicio técnico.
- Se podrían necesitar espacios libres adicionales para las molduras de la pared, de la puerta y del piso.
- Para la instalación en clóset, con una puerta, se requieren aberturas de ventilación mínimas en la parte superior e inferior de la puerta. Se aceptan puertas tipo persianas con aberturas de ventilación equivalentes.
- Cuando el sistema de ventilación de la casa está alineado directamente con la ventilación de la secadora, el espacio de atrás puede ser de 0".



A. Lugar empotrado

B. Vista lateral - clóset o lugar confinado

C. Puerta del clóset con ductos de escape

## Requisitos de instalación adicionales para las casas rodantes

Este centro de lavandería es apropiado para instalaciones en casas rodantes. La instalación debe ajustarse al Estándar de seguridad y construcción de casas fabricadas, Título 24 CFR, Parte 3280 (anteriormente conocido como Estándar federal para la seguridad y construcción de casas rodantes, Título 24, HUD Parte 280).

### Las instalaciones en casas rodantes necesitan:

- Artículos de ferretería para sistemas de ventilación de metal que se pueden comprar en su tienda Sears o en el centro de servicio técnico Sears de su localidad.
- Se deben tomar medidas especiales en el caso de casas rodantes para introducir el aire del exterior en la secadora. La abertura (como la de una ventana adyacente) deberá ser por lo menos el doble de tamaño que la abertura de ventilación de la secadora.

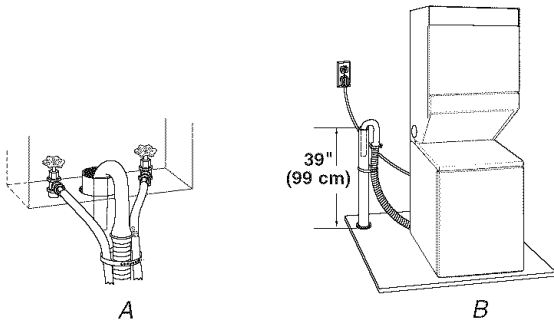
## Sistema de desagüe

Se puede instalar el centro de lavandería usando el sistema de desagüe de tubo vertical (piso o pared), el sistema de desagüe en un lavadero o el sistema de desagüe en el piso. Elija el sistema de instalación de la manguera que necesite. Vea "Piezas alternativas".

### Sistema de desagüe de tubo vertical – piso o pared (ilustraciones A y B)

El sistema de desagüe de tubo vertical requiere de un tubo vertical con un diámetro mínimo de 2" (5 cm). La capacidad mínima de desalojo no puede ser menor de 17 gal. (64 L) por minuto. Se dispone de un juego de adaptador para tubo vertical de 2" (5 cm) a 1" (2,5 cm) de diámetro. Vea "Piezas alternativas".

La parte superior del tubo vertical deberá estar a 39" (99 cm) de altura cuando menos y no podrá estar a más de 96" (2,4 m) desde la base de la lavadora.



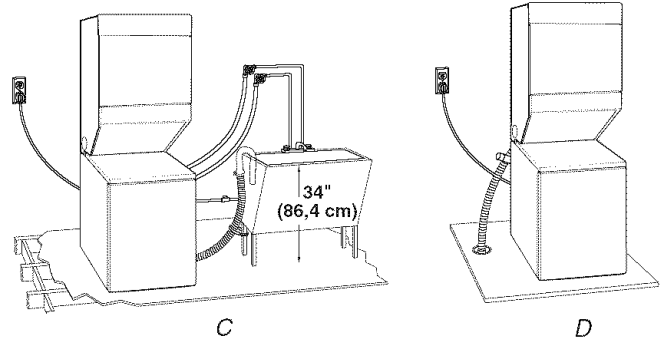
### Sistema de desagüe en un lavadero (ilustración C)

El lavadero debe tener una capacidad mínima de 20 gal. (76 L). La parte superior del lavadero debe estar a 34" (86,4 cm) de altura cuando menos sobre el piso y no podrá estar a más de 96" (2,4 m) de la base de la lavadora.

### Sistema de desagüe en el piso (ilustración D)

El sistema de desagüe en el piso requiere de una desviación del sifón que se puede comprar por separado. Vea "Piezas alternativas".

La desviación del sifón deberá estar a 28" (71 cm) cuando menos de la base de la lavadora. Quizás se necesiten mangueras adicionales.



## Requisitos eléctricos

### Usted es responsable de

- Ponerse en contacto con un instalador eléctrico calificado.
  - Asegurarse de que la conexión eléctrica sea adecuada y de conformidad con el Código Nacional Eléctrico, ANSI/NFPA 70 - última edición y con todos los códigos y ordenanzas locales.
- Usted puede obtener una copia de todas las normas arriba indicadas en: National Fire Protection Association, One Batterymarch Park, Quincy, MA 02269.
- Proveer el suministro eléctrico requerido de 3 ó 4 alambres, monofásico, de 120/240 voltios, 60 Hz, CA solamente (o un suministro eléctrico de 3 ó 4 alambres, de 120/208 voltios, si se especifica en la placa indicadora de corriente/de la serie) en un circuito separado de 30 amperios, protegido con fusibles en ambos lados de la línea. Se recomienda un fusible retardador o un cortacircuitos. Conéctela a un circuito derivado individual. No tenga un fusible en el circuito neutro o de conexión a tierra.
  - No use un cable eléctrico de extensión.
  - Si los códigos lo permiten y se emplea un alambre de conexión a tierra separado, es recomendable que un electricista calificado determine si la trayectoria de conexión a tierra es adecuada.

### Conexión eléctrica

Para instalar su centro de lavandería adecuadamente, usted debe determinar el tipo de conexión eléctrica que va a usar y seguir las instrucciones que aquí se proveen para el caso.

- Esta secadora ha sido manufacturada lista para ser instalada en una conexión de suministro de energía eléctrica de 3 hilos. El conductor verde de puesta a tierra del gabinete está permanentemente conectado al conductor neutral (cable blanco) dentro de la secadora. Si la secadora está instalada con una conexión de suministro eléctrico de 4 hilos, el conductor verde de puesta a tierra del gabinete se debe quitar del conector de puesta a tierra interno (tornillo verde) y ajustar debajo del terminal neutral (cable central o blanco) de la caja de terminal. Cuando el conductor verde de puesta a tierra del gabinete esté ajustado debajo del terminal neutral (cable central o blanco) de la caja de terminal, el gabinete de la secadora queda aislado del conductor neutral.

- Si los códigos locales no permiten la conexión de un conector para conexión a tierra del equipo al alambre neutro, vea la sección "Conexión opcional de 3 hilos".
- Use un cable conductor de 4 alambres cuando se instale la secadora en una casa rodante o un área donde los códigos locales no permiten la conexión a tierra mediante el alambre neutro.

**Si emplea un cable de suministro eléctrico:**

- Use un juego que esté en la lista de UL para cable de suministro eléctrico que esté marcado para ser usado en secadoras de ropa. El juego deberá contener:
- Un cable de suministro eléctrico de 30 amperios que esté en la lista de UL, con 120/240 voltios mínimo. El cable deberá ser del tipo SRD o SRDT y deberá tener un largo de por lo menos 4 pies (1,22 m). Los hilos que conectan con la secadora deberán terminar en terminales de anillo o de horquilla con los extremos hacia arriba.
- Un protector de cables que esté en la lista de UL.

**Si el contacto de pared luce como éste:**



*Contacto de 4 alambres (14-30R)*

Entonces elija un cable de suministro eléctrico de 4 alambres con terminales de anillo o de horquilla y con protector de cables que esté en la lista de UL. El cable de suministro de corriente de 4 hilos, de por lo menos 4 pies (1,22 m) de largo, debe tener 4 hilos de cobre de calibre 10 y encajar en un tomacorriente para 4 hilos de NEMA Tipo 14-30R. El hilo de puesta a tierra (conductor de puesta a tierra) puede ser verde o desnudo. El conductor neutral debe ser identificado con una cubierta blanca.

**Si el contacto de pared luce como éste:**



*Contacto de 3 hilos (10-30R)*

Entonces elija un cable de suministro eléctrico de 3 alambres con terminales de anillo o de horquilla y con protector de cables que esté en la lista de UL. El cable de suministro de corriente de 3 hilos, de por lo menos 4 pies (1,22 m) de largo, debe tener 3 hilos de cobre de calibre 10 y encajar en un tomacorriente para 3 hilos de tipo NEMA 10-30R.

**Si hace la conexión con cableado directo:**

El cable de suministro eléctrico debe ser igual al del suministro eléctrico (de 4 alambres o de 3 alambres) y debe ser:

- Cable blindado flexible o cable de cobre forrado no metálico (con alambre puesto a tierra), protegido con un conductor metálico flexible. Todos los alambres conductores de corriente deben estar aislados.
- Alambre de cobre sólido de calibre 10. (No utilice aluminio.)
- Tener por lo menos 5 pies (1,52 m) de longitud.

**INSTRUCCIONES PARA LA CONEXIÓN A TIERRA**

- Para la conexión de una lavadora/secadora mediante cable eléctrico conectado a tierra:  
Esta lavadora/secadora debe estar conectada a tierra. En el caso de funcionamiento defectuoso o avería, la conexión a tierra reducirá el riesgo de choque eléctrico al proporcionar una vía de menor resistencia para la corriente eléctrica. Esta lavadora/secadora usa un cable que cuenta con un conductor para la conexión a tierra del equipo y un enchufe de conexión a tierra. El enchufe debe conectarse en un contacto apropiado, que esté debidamente instalado y conectado a tierra de acuerdo con todos los códigos y ordenanzas locales.
- Para la conexión permanente de una lavadora/secadora:  
Esta lavadora/secadora debe estar conectada a un sistema de cableado de metal permanente, conectado a tierra, o se debe tender un conducto para la conexión a tierra del equipo con los conductores de circuito y conectado al terminal de tierra del equipo o al conductor de suministro de la lavadora/la secadora .

**ADVERTENCIA:** La conexión indebida del conductor para la conexión a tierra del equipo puede ocasionar un riesgo de choque eléctrico. Verifique con un electricista, representante o personal de servicio técnico calificado para asegurarse de que la conexión a tierra de la lavadora/la secadora sea apropiada. No modifique el enchufe que viene con el cable eléctrico. Si no encaja en el contacto, contrate un electricista calificado para que instale un contacto adecuado.

**GUARDE ESTAS INSTRUCCIONES**

## Conexión eléctrica

### Cable de suministro eléctrico

#### ⚠ ADVERTENCIA



##### Peligro de Incendio

Use un cable de suministro eléctrico nuevo de 30 amperes que esté en la lista de UL.

Use un protector de cables que esté en la lista de UL.

Desconecte el suministro eléctrico antes de hacer las conexiones eléctricas.

Conecte el alambre neutro (el blanco o el del centro) al terminal central (plateada).

El alambre de tierra (el verde o el no aislado) se debe conectar con el conector verde de tierra.

Conecte los 2 alambres de suministro restantes con las 2 terminales restantes (las doradas).

Apriete firmemente todas las conexiones eléctricas.

No seguir estas instrucciones puede ocasionar la muerte, incendio, o choque eléctrico.

### Cable directo

#### ⚠ ADVERTENCIA



##### Peligro de Incendio

Utilice alambres de cobre sólido de ancho 10.

Use un protector de cables que esté en la lista de UL.

Desconecte el suministro eléctrico antes de hacer las conexiones eléctricas.

Conecte el alambre neutro (el blanco o el del centro) al terminal central (plateada).

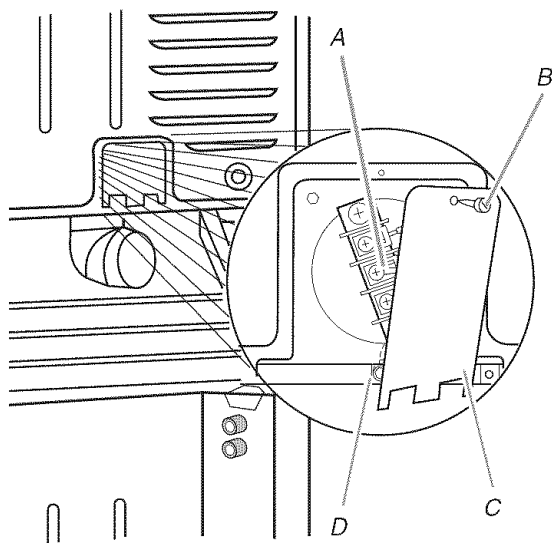
El alambre de tierra (el verde o el no aislado) se debe conectar con el conector verde de tierra.

Conecte los 2 alambres de suministro restantes con las 2 terminales restantes (las doradas).

Apriete firmemente todas las conexiones eléctricas.

No seguir estas instrucciones puede causar la muerte, incendio o choque eléctrico.

1. Desconecte el suministro de energía.
2. Quite el tornillo de sujeción y la tapa del bloque de terminal.

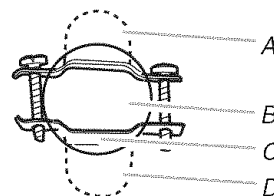


- A. Tornillo de bloque de terminal de color plateado, del centro  
B. Tornillo de sujeción  
C. Tapa del bloque de terminal  
D. Tornillo conductor a tierra interno

3. Instale el protector de cables.

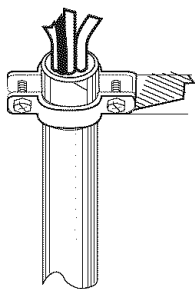
#### Estilo 1: Protector de cables del cable de suministro de energía

- Quite los tornillos de un protector de cables de 3/4" (1,9 cm) que esté en la lista de UL (con la marca UL en el protector de cables). Coloque las lengüetas de las dos secciones de la abrazadera en el orificio que está debajo de la abertura del bloque de terminal de manera que una lengüeta esté apuntando hacia arriba y la otra esté apuntando hacia abajo, y sujételas en su lugar. Apriete los tornillos del protector de cables sólo lo suficiente para mantener las dos secciones de la abrazadera juntas.



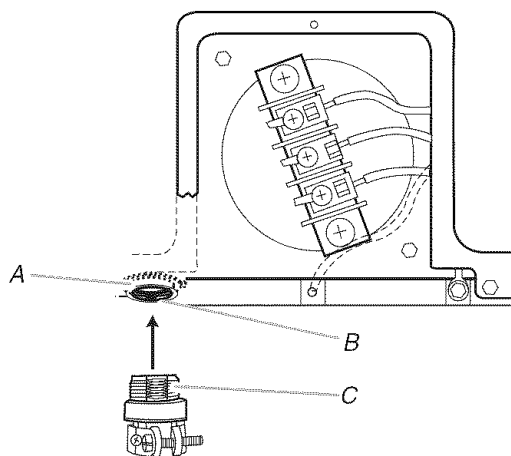
- A. Lengüeta del protector de cables apuntando hacia arriba  
B. Orificio debajo de la abertura del bloque de terminal  
C. Sección de la abrazadera  
D. Lengüeta del protector de cables apuntando hacia abajo

- Haga pasar el cable de suministro de energía a través del protector de cables. Asegúrese de que el aislamiento de cables del cable de suministro de energía esté dentro del protector de cables. El protector de cables deberá encajar bien con el gabinete de la secadora y estar en posición horizontal.



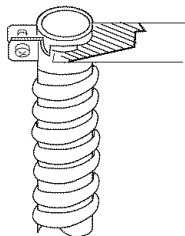
### Estilo 2: Protector de cables para el cable directo

- Desatornille el conector de conducto removible y cualquier tornillo del protector de cables de 3/4" (1,9 cm) que esté en la lista de UL (con la marca UL en el protector de cables). Haga pasar la sección trenzada del protector de cables a través del orificio que está debajo de la abertura del bloque de terminal. Busque dentro de la abertura del bloque de terminal y atornille el conector de conducto removible sobre las roscas del protector de cables. No ajuste más los tornillos del protector de cables en este momento.



A. Conector del conducto removible  
 B. Orificio debajo de la abertura del bloque de terminal  
 C. Roscas del protector de cables

- Haga pasar el cable directo a través del protector de cables. El protector de cables deberá encajar bien con el gabinete de la secadora y estar en posición horizontal. Apriete el tornillo del protector de cables contra el cable directo.


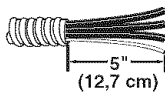

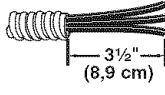


- Ahora termine la instalación siguiendo las instrucciones para el tipo de su conexión eléctrica:

**Alambre de 4 hilos** (se recomienda)

**Alambre de 3 hilos** (si no dispone de alambre de cuatro)

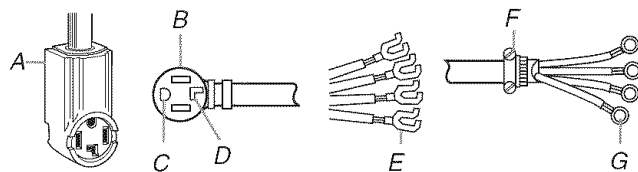
### Opciones para la conexión eléctrica

Si su casa tiene:	Y usted va a conectar con:	Vaya a la sección
Un contacto de 4 hilos (tipo NEMA 14-30R) 	Un cable de suministro eléctrico para secadora, aprobado de UL, de 120/240 voltios mínimo y 30 amperios*	Conexión de 4 hilos: Cable de suministro eléctrico
Cable directo de 4 hilos 	Un desconectador con fusible o una caja de disyuntor*	Conexión de 4 hilos: Cable directo
Contacto de 3 hilos (Tipo NEMA 10-30R) 	Un cable de suministro eléctrico para secadora, aprobado de UL, de 120/240 voltios mínimo y 30 amperios*	Conexión de 3 hilos: Cable de suministro eléctrico
Cable directo de 3 hilos 	Un desconectador con fusible o una caja de disyuntor*	Conexión de 3 hilos: Cable directo

\*Si los códigos locales no permiten la conexión de un conductor de conexión a masa al cable neutro, prosiga a la sección "Conexión opcional de 3 hilos".

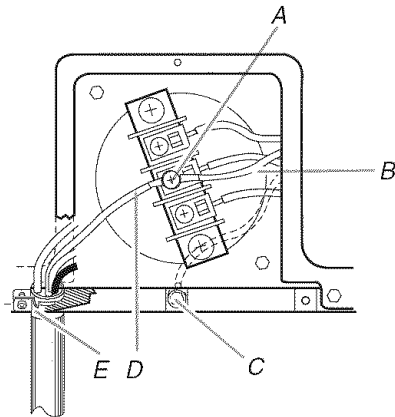
### Conexión de 4 hilos: Cable de suministro eléctrico

**IMPORTANTE:** Se necesita una conexión de alambre de 4 hilos para las casas rodantes y para los casos en que los códigos locales no permitan el uso de conexiones de 3 hilos.



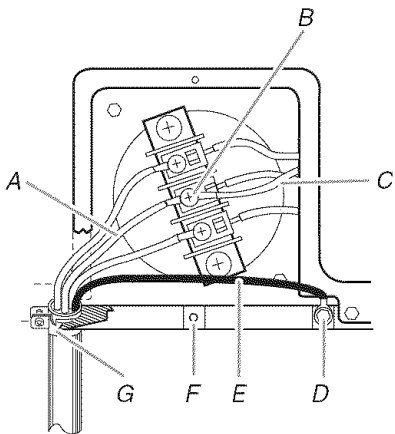
A. Contacto de 4 alambres (tipo NEMA 14-30R)  
 B. Enchufe de 4 terminales  
 C. Terminal de conexión a tierra  
 D. Terminal neutro  
 E. Terminales de horquilla con los extremos hacia arriba  
 F. Protector de cables que esté en la lista de UL de 3/4" (1,9 cm)  
 G. Bornes anulares

1. Saque el tornillo central de color plateado del bloque terminal.
2. Saque el hilo de tierra neutro del tornillo conductor de tierra interno. Conecte el hilo neutro de puesta a tierra y el hilo neutro (hilo blanco o central) del cable de suministro de energía debajo del tornillo central de color plateado del bloque de terminal. Apriete el tornillo.



- A. Tornillo central de color plateado del bloque de terminal  
 B. Hilo neutro de puesta a tierra  
 C. Tornillo conductor de tierra interno – La línea punteada ilustra la posición del hilo de tierra NEUTRO antes de moverlo al tornillo central del bloque de terminal  
 D. Hilo neutro (hilo blanco o central)  
 E. Protector de cables de  $\frac{3}{4}$ " (1,9 cm), que esté en la lista de UL

3. Mueva el tornillo verde de la ubicación del conductor a tierra interno a la del conductor a tierra externo. Conecte el hilo de tierra (verde o desnudo) del cable de suministro de energía al tornillo conductor de tierra externo. Apriete el tornillo.



- A. Hilo neutro (hilo blanco o central)  
 B. Tornillo de bloque de terminal de color plateado, del centro  
 C. Hilo de conexión a tierra neutro  
 D. Tornillo conductor a tierra externo  
 E. Hilo de tierra (verde o desnudo) del cordón de suministro eléctrico  
 F. Ubicación del conductor a tierra interno  
 G. Protector de cables de  $\frac{3}{4}$ " (1,9 cm), que esté en la lista de UL

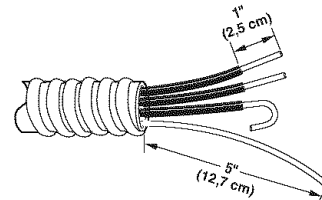
4. Conecte los otros hilos a los tornillos exteriores del bloque de terminal. Apriete los tornillos.
5. Apriete los tornillos del protector de cables.
6. Introduzca la lengüeta de la cubierta del bloque terminal en la ranura del panel posterior de la secadora. Asegure la cubierta con el tornillo de sujeción.
7. Usted ha completado la conexión eléctrica. Ahora vaya a "Requisitos de ventilación".

## Conexión de 4 hilos: Cable directo

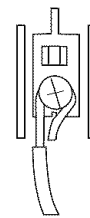
**IMPORTANTE:** Se necesita una conexión de alambre de 4 hilos para las casas rodantes y para los casos en que los códigos locales no permitan el uso de conexiones de 3 hilos.

El cable de conexión directa debe tener 5 pies (1,52 m) extra de largo para poder mover la secadora si fuese necesario.

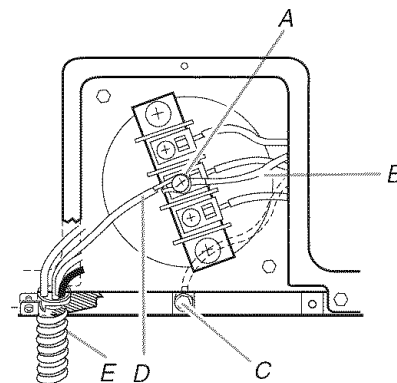
Pele 5" (12,7 cm) de la cubierta exterior desde el extremo del cable, dejando el hilo de tierra desnudo a 5" (12,7 cm). Corte  $1\frac{1}{2}$ " (3,8 cm) de los 3 hilos restantes. Pele el aislamiento 1" (2,5 cm) hacia atrás. Doble los extremos de los hilos para formar un gancho.



Al conectar el hilo al bloque de terminal, coloque el extremo del hilo en forma de gancho debajo del tornillo del bloque de terminal (viendo hacia la derecha). Apriete y junte el extremo en forma de gancho y apriete el tornillo. Vea el ejemplo a continuación.

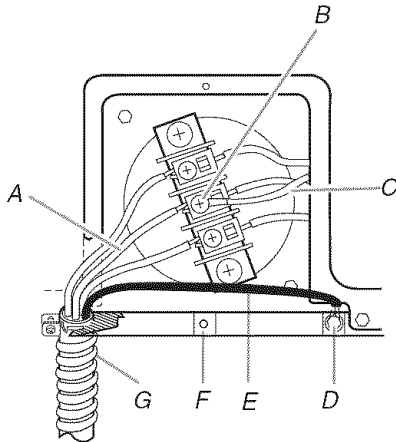


1. Saque el tornillo central de color plateado del bloque terminal.
2. Saque el hilo de tierra neutro del tornillo conductor de tierra interno. Conecte el hilo neutro de puesta a tierra y coloque el extremo en forma de gancho (gancho mirando hacia la derecha) del hilo neutro (blanco o central) del cable de conexión directa debajo del tornillo central del bloque de terminal. Apriete y junte los extremos enganchados. Apriete el tornillo.



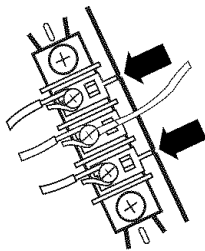
- A. Tornillo de bloque de terminal de color plateado, del centro  
 B. Hilo de conexión a tierra neutro  
 C. Tornillo conductor a tierra interno – La línea punteada ilustra la posición del hilo de tierra NEUTRO antes de moverlo al tornillo central del bloque de terminal  
 D. Hilo neutro (hilo blanco o central)  
 E. Protector de cables de  $\frac{3}{4}$ " (1,9 cm), que esté en la lista de UL

- Mueva el tornillo verde de la ubicación del conductor a tierra interno a la del conductor a tierra externo. Conecte el hilo de tierra (verde o desnudo) del cable de suministro de energía al tornillo conductor de tierra externo. Apriete el tornillo.



- A. Hilo neutro (hilo blanco o central)
- B. Tornillo de bloque de terminal de color plateado, del centro
- C. Hilo de conexión a tierra neutro
- D. Tornillo conductor a tierra externo
- E. Hilo a tierra (verde o desnudo) del cordón de suministro eléctrico
- F. Ubicación del conductor a tierra interno
- G. Protector de cables de  $\frac{3}{4}$ " (1,9 cm), que esté en la lista de UL

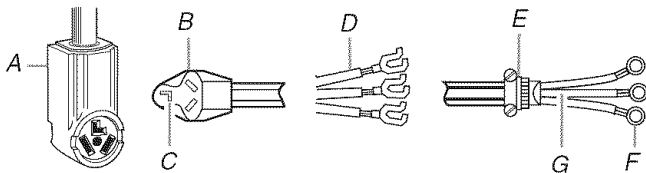
- Coloque los extremos enganchados de los otros hilos del cable de suministro eléctrico debajo de los tornillos exteriores del bloque terminal (con los ganchos mirando hacia la derecha). Apriete y junte los extremos enganchados. Apriete los tornillos.



- Apriete los tornillos del protector de cables.
- Introduzca la lengüeta de la cubierta del bloque terminal en la ranura del panel posterior de la secadora. Asegure la cubierta con el tornillo de sujeción.
- Usted ha completado la conexión eléctrica. Ahora vaya a "Requisitos de ventilación".

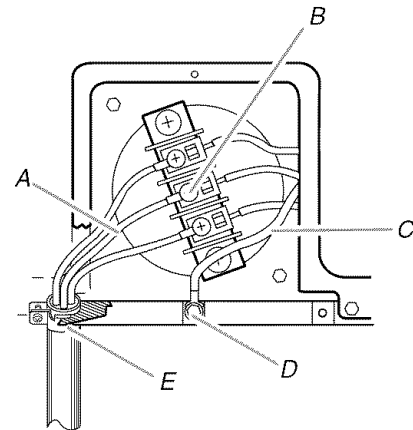
### Conexión de 3 hilos: Cable de suministro eléctrico

Use cuando los códigos locales permitan la conexión del conductor de tierra del gabinete al hilo neutro.



- A. Contacto de 3 hilos (tipo NEMA 10-30R)
- B. Enchufe para 3 hilos
- C. Terminal neutro
- D. Bornes de horquilla con extremos hacia arriba
- E. Protector de cables que esté en la lista de UL de  $\frac{3}{4}$ " (1,9 cm)
- F. Bornes anulares
- G. Neutro (hilo blanco o central)

- Afloje o saque el tornillo central de color plateado del bloque terminal.
- Conecte el hilo neutro (hilo blanco o central) del cable de suministro eléctrico al tornillo central de color plateado del bloque terminal. Apriete el tornillo.



- A. Hilo neutro (hilo blanco o central)
- B. Tornillo de bloque de terminal de color plateado, del centro
- C. Hilo de conexión a tierra neutro
- D. Tornillo conductor a tierra interno
- E. Protector de cables de  $\frac{3}{4}$ " (1,9 cm), que esté en la lista de UL

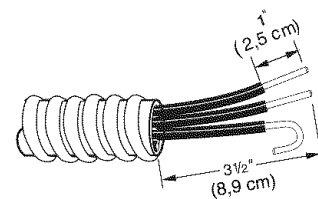
- Conecte los otros hilos a los tornillos de los bloques de terminal externos. Apriete los tornillos.
- Apriete los tornillos del protector de cables.
- Inserte la lengüeta de la tapa del bloque terminal dentro de la ranura del panel posterior de la secadora. Asegure la tapa con el tornillo de sujeción.
- Usted ha completado la conexión eléctrica. Ahora vaya a "Requisitos de ventilación".

### Conexión de 3 hilos: Cable directo

Use cuando los códigos locales permitan la conexión del conductor de tierra del gabinete al hilo neutro.

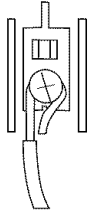
El cable de conexión directa debe tener 5 pies (1,52 m) extra de largo para poder mover la secadora si fuese necesario.

Pele  $3\frac{1}{2}$ " (8,9 cm) de la cubierta exterior desde el extremo del cable. Pele el aislamiento 1" (2,5 cm) hacia atrás. Si usa un cable trifilar con hilo de tierra, corte el hilo desnudo para que quede nivelado con la cubierta exterior. Doble los extremos de los hilos para formar un gancho.

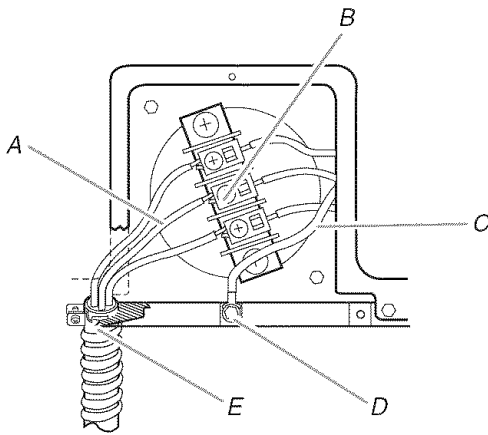




Al conectar el hilo al bloque de terminal, coloque el extremo del hilo en forma de gancho debajo del tornillo del bloque de terminal (viendo hacia la derecha). Apriete y junte el extremo en forma de gancho y apriete el tornillo.

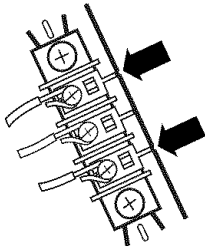


1. Afloje o saque el tornillo central de color plateado del bloque terminal.
2. Coloque el extremo en forma de gancho del hilo neutro (hilo blanco o central) del cable de suministro eléctrico debajo del tornillo central del bloque terminal (con el gancho mirando hacia la derecha). Apriete y junte el extremo enganchado. Apriete el tornillo.



- A. Hilo neutro (hilo blanco o central)
- B. Tornillo de bloque de terminal de color plateado, del centro
- C. Hilo de conexión a tierra neutro
- D. Tornillo conductor a tierra interno
- E. Protector de cables de  $\frac{3}{4}$ " (1,9 cm), que esté en la lista de UL

3. Coloque los extremos enganchados de los otros hilos del cable de suministro eléctrico debajo de los tornillos exteriores del bloque terminal (con los ganchos mirando hacia la derecha). Apriete y junte los extremos enganchados. Apriete los tornillos.

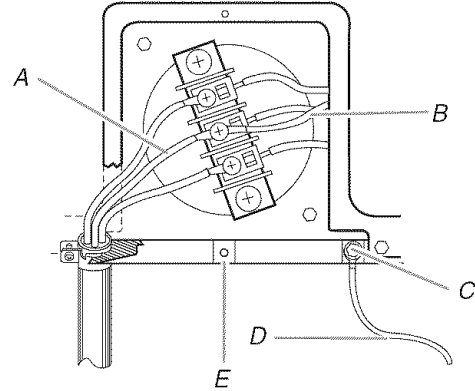


4. Apriete los tornillos del protector de cables.
5. Introduzca la lengüeta de la cubierta del bloque de terminal en la ranura del panel posterior de la secadora. Asegure la cubierta con el tornillo de sujeción.
6. Usted ha completado la conexión eléctrica. Ahora vaya a "Requisitos de ventilación".

## Conexión opcional de 3 hilos

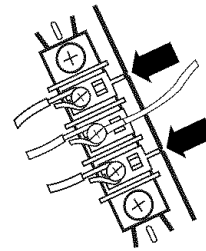
Use para cable directo o cordón de suministro de corriente donde los códigos locales no permitan la conexión del conductor de tierra del gabinete con el hilo neutro.

1. Saque el tornillo central del bloque terminal.
2. Saque el hilo de tierra neutro del aparato del tornillo conductor de tierra externo. Conecte el hilo de tierra del aparato y el hilo neutro (hilo blanco o central) del cordón/cable de suministro eléctrico debajo del tornillo central de color plateado del bloque terminal. Apriete el tornillo.



- A. Hilo neutro (hilo blanco o central)
- B. Hilo de conexión a tierra neutro
- C. Tornillo conductor a tierra externo
- D. Camino de puesta a tierra determinado por un electricista capacitado
- E. Ubicación del conductor de tierra interno

3. Conecte los otros hilos a los tornillos exteriores del bloque terminal. Apriete los tornillos.



4. Apriete los tornillos del protector de cables.
5. Mueva el tornillo verde de la ubicación del conductor de tierra interno a la del conductor a tierra externo. Conecte un hilo de tierra de cobre separado desde el tornillo conductor de tierra externo a tierra adecuada.
6. Introduzca la lengüeta de la cubierta del bloque terminal en la ranura del panel posterior de la secadora. Asegure la cubierta con el tornillo de sujeción.

## Requisitos de ventilación

### ⚠ ADVERTENCIA



#### Peligro de Incendio

- Use un ducto de escape de metal pesado.
- No use un ducto de escape de plástico.
- No use un ducto de escape de aluminio.
- No seguir estas instrucciones puede ocasionar la muerte o incendio.

**ADVERTENCIA:** Para reducir el riesgo de incendio, este centro de lavandería DEBE VENTILARSE HACIA EL EXTERIOR.

**IMPORTANTE:** Observe todas las normas y ordenanzas vigentes.

El ducto de escape de la secadora no debe conectarse en ningún ducto de escape de gas, chimenea, pared, techo o el espacio oculto de un edificio.

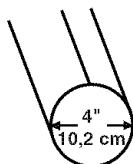
#### Si usa un sistema de ventilación existente

- Limpie la pelusa que está en toda la longitud del sistema y asegúrese de que la capota de ventilación no esté obstruida con pelusa.
- Reemplace cualquier ducto de escape de plástico o de hoja de metal por uno de metal pesado rígido o flexible.
- Vuelva a consultar el cuadro del sistema de ventilación. Modifique el sistema de ventilación existente si fuera necesario para lograr el mejor rendimiento de la secadora.

#### Si este es un nuevo sistema de ventilación

##### Material de ventilación

- Use un ducto de escape de metal pesado. No use ducto de escape de plástico o de hoja de metal.
- Se debe usar un ducto de escape de metal pesado de 4" (10,2 cm) y abrazaderas. Los productos de ventilación DURASAFE™ son recomendables.



Ducto de escape de metal pesado de 4" (10,2 cm)

Los productos de ventilación DURASAFE™ pueden adquirirse en su distribuidor. Para obtener más información, sírvase llamar al 1-800-4-MY-HOME® (1-800-469-4663) o visite nuestro sitio en la internet en [www.sears.com](http://www.sears.com).

##### Ducto de escape de metal rígido

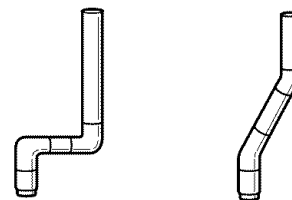
- Para un óptimo rendimiento de secado, se recomiendan ductos de escape de metal rígido.
- Se recomienda el ducto de escape de metal rígido para evitar que se aplaste o se tuerza.

##### Ducto de escape de metal flexible

- Los ductos de escape de metal flexible son aceptables únicamente si se puede acceder a los mismos para limpiarlos.
- El ducto de escape de metal flexible debe extenderse y sostenerse por completo cuando la secadora está en su ubicación final.
- Quite el exceso del ducto de metal flexible para evitar que se doble y se tuerza, lo cual podría dar lugar a una reducción del flujo de aire y a un rendimiento insuficiente.
- No instale el ducto de escape de metal flexible en paredes, techos o pisos encerrados.

##### Codos

Los codos de 45° proveen un mejor flujo de aire que los codos de 90°.

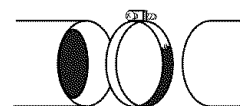


Bien

Mejor

##### Abrazaderas

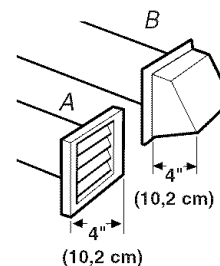
- Utilice abrazaderas para sellar todas las juntas.
- No debe conectarse ni asegurarse el ducto de escape con tornillos ni con ningún otro dispositivo que se extienda hacia el interior de dicho ducto. No utilice cinta adhesiva para conductos.



Abrazadera

##### Respiradero

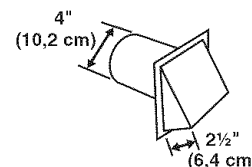
Los estilos recomendados de capotas de ventilación se ilustran aquí.



A. Estilo de capota con ventilación tipo persiana

B. Estilo de capota con ventilación tipo caja

El estilo de capota de ventilación angular (que se ilustra aquí) es aceptable.



- Una capota de ventilación debe tapar el ducto de escape para evitar el ingreso de roedores e insectos a la casa.
- La capota de ventilación debe estar por lo menos a 12" (30,5 cm) de distancia del piso o de cualquier objeto que pudiese estar en el trayecto del ducto de escape (como flores, rocas o arbustos, límite de nieve, etc).
- No use capotas de ventilación con pestillos magnéticos.

**La ventilación inadecuada puede ocasionar la acumulación de humedad y pelusa en la casa, lo cual puede dar como resultado:**

- Daños de humedad en la carpintería, muebles, pintura, empapelado, alfombras, etc.
- Problemas en la limpieza de la casa y de salud.

## Instalación de las patas niveladoras

### ⚠ ADVERTENCIA

#### Peligro de Peso Excesivo

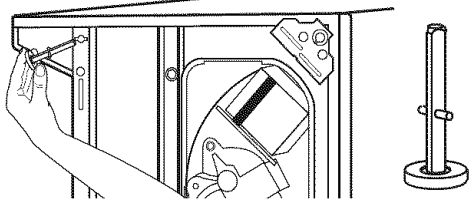
Use dos o más personas para mover e instalar la lavadora/secadora.

No seguir esta instrucción puede ocasionar una lesión en la espalda u otro tipo de lesiones.

Para proteger el piso, use un pedazo de cartón grande del cartón de embalaje de transporte. Coloque el centro de lavandería de costado, con cuidado, sobre el cartón.

#### Instale las patas niveladoras traseras

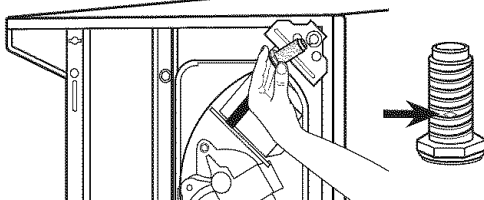
1. Empuje las patas dentro de los orificios en las esquinas traseras hasta que encajen en su lugar.



2. Revise la ajustabilidad de las patas traseras empujando una de las patas. La otra pata debería salir. Revise ambas patas. Si no mueven libremente, repita el Paso 1.

#### Instale las patas niveladoras delanteras

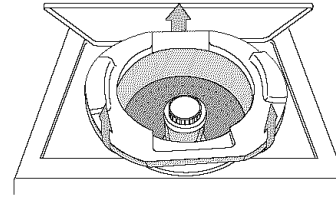
1. Examine las patas niveladoras delanteras. Localice la marca en forma de diamante.
2. Atornille las patas delanteras a mano dentro de los orificios de los puntales triangulares en las esquinas frontales. Use una llave de tuercas para terminar de atornillar las patas hasta que la marca en forma de diamante no quede visible.



3. Ponga con cuidado el centro de lavandería en la posición vertical.

## Para quitar el embalaje de hule espuma

1. Abra la tapa de la lavadora. El seguro debajo de la secadora mantendrá la tapa abierta.
2. Retire el anillo de embalaje de hule espuma fuera de la lavadora.



**NOTA:** Conserve el anillo de hule espuma y úselo durante el transporte de su centro de lavandería. Este material de embalaje se usa para estabilizar la lavadora durante el transporte.

## Conecte la manguera de desagüe

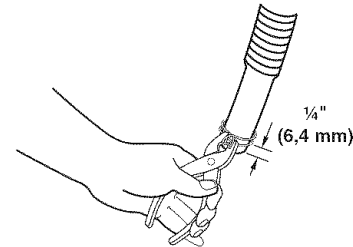
Para proteger sus pisos de los daños ocasionados por las fugas de agua, conecte correctamente la manguera de desagüe. Para prevenir que la manguera de desagüe se salga o tenga pérdidas, se debe instalar de acuerdo a las siguientes instrucciones:

**IMPORTANTE:** Para una instalación correcta, se debe seguir este procedimiento con toda exactitud.

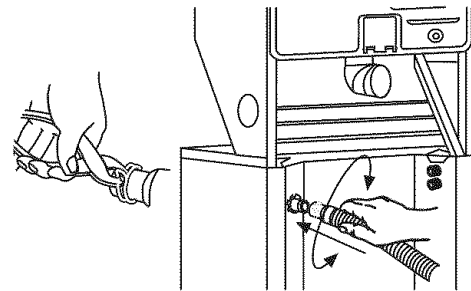
1. Inspeccione la manguera de desagüe para ver si tiene el largo correcto.
2. Moje el interior del extremo recto de la manguera de desagüe con agua del grifo.

**IMPORTANTE:** No use ningún otro lubricante.

3. Apriete con el alicate las aletas de la abrazadera plateada de doble hilo para abrirla. Coloque la abrazadera sobre el extremo recto de la manguera de desagüe a 1/4" (6,4 mm) del mismo.



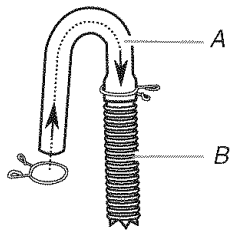
4. Abra la abrazadera. Tuerza la manguera hacia atrás y hacia adelante mientras empuja sobre el conector de desagüe en el lado del centro de lavandería. Continúe hasta que la manguera entre en contacto con los topes estriados sobre el gabinete.



5. Coloque la abrazadera sobre el área que tiene la marca "Abrazadera" ("CLAMP"). Suelte la abrazadera.

## Para el sistema de desagüe en tina de lavadero o tubo vertical

1. Abra la abrazadera unifilar amarilla y deslícela sobre el extremo de gancho de la manguera de desagüe para asegurar la sección de caucho y la corrugada juntas.



A. Extremo con forma de gancho  
B. Manguera de desagüe

2. Coloque el extremo de gancho de la manguera de desagüe en la tina de lavadero o tubo vertical. Gire el gancho para eliminar torceduras.

### Para evitar que el agua del desagüe vuelva a la lavadora:

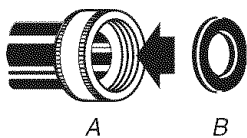
- No enderece el extremo en forma de gancho de la manguera de desagüe ni fuerce el exceso de manguera de desagüe dentro del tubo vertical. La manguera debe estar asegurada pero a la vez lo suficientemente floja que permita un espacio para el aire.
- No tienda el exceso de manguera en el fondo de la tina del lavadero.

### Para usarse con desagüe por el piso

Quite el "gancho" de la manguera de desagüe de la manguera de desagüe corrugada. Puede necesitar piezas adicionales. Vea Desagüe por el piso bajo "Piezas alternativas".

## Conecte las mangueras de entrada

1. Inserte una nueva arandela plana (suministrada) en cada extremo de las mangueras de entrada. Asiente firmemente las arandelas en los acoplamientos.



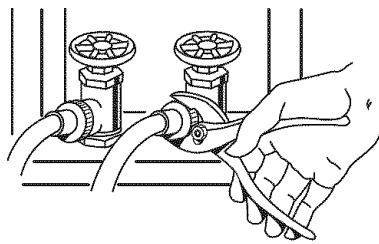
A. Acoplamiento  
B. Arandela

### Conecte las mangueras de entrada a los grifos de agua

Asegúrese de que la canasta de la lavadora esté vacía.

2. Conecte la manguera con la etiqueta "hot" (caliente) al grifo de agua caliente. Atornille el acoplamiento con la mano hasta que se asiente en la arandela.
3. Conecte la manguera con la etiqueta "cold" (frío) al grifo de agua fría. Atornille el acoplamiento con la mano hasta que se asiente en la arandela.

4. Apriete los acoplamientos con los alicates, girándolos dos tercios de vuelta adicional.



**NOTA:** No apriete demasiado ni use cinta o selladores en la válvula. Se pueden dañar las válvulas.

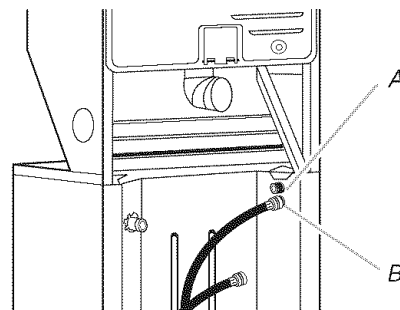
### Limpie el agua de las líneas

- Haga correr el agua a través de los grifos y de las mangueras de entrada dentro de un balde o una tina de lavadero, para desechar las partículas de las líneas de agua que pudieran obstruir los filtros de la válvula de entrada.
- Verifique la temperatura del agua para asegurarse de que la manguera de agua caliente esté conectada al grifo de agua caliente y que la manguera de agua fría esté conectada al grifo de agua fría.

### Conecte las mangueras de entrada a la lavadora

1. Afiance la manguera de agua caliente a la válvula de entrada inferior. El conectar la manguera de agua caliente primero facilita el ajuste de la conexión con los alicates.
2. Atornille el acoplamiento con la mano hasta que quede asentado en la arandela.
3. Apriete los acoplamientos con los alicates, girándolos dos tercios de vuelta adicional.

**NOTA:** No apriete demasiado ni use cinta o selladores en la válvula. Se pueden dañar las válvulas.



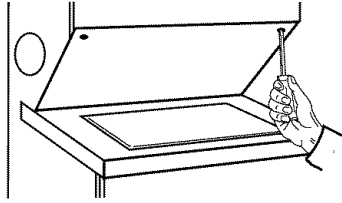
A. Válvula de entrada de agua fría (superior)  
B. Válvula de entrada de agua caliente (inferior)

4. Afiance la manguera de agua fría a la válvula de entrada superior.
5. Atornille el acoplamiento con la mano hasta que quede asentado en la arandela.
6. Apriete los acoplamientos con los alicates, girándolos dos tercios de vuelta adicional.

**NOTA:** No apriete demasiado ni use cinta o selladores en la válvula. Se pueden dañar las válvulas.

## Si usted está trabajando en un clóset o en un área empotrada

Traslade el centro de lavandería a su posición final y quite el cartón que está debajo del mismo. Quite el panel de acceso desatornillando 3 tornillos Phillips y un tope, ubicados en la parte superior del panel de acceso. Deje a un lado el panel, el tornillo y el tope. Complete la conexión de las mangueras de agua y (en los modelos a gas) el conector flexible de gas a través del área de acceso. Vuelva a colocar el panel de acceso una vez que haya terminado la instalación del centro de lavandería.



## Revise si hay fugas

- Abra los grifos de agua y revise si hay fugas. Una pequeña cantidad de agua podría entrar en la lavadora. Haga el desagüe más tarde.

**NOTA:** Reemplace las mangueras de entrada después de cinco años de uso para reducir el riesgo de que fallen. Anote las fechas de instalación y de reposición de la manguera para consulta futura.

- Si conecta sólo una manguera de agua, debe tapar el orificio restante de entrada del agua.
- De vez en cuando inspeccione y reemplace las mangueras si encuentra bultos, torceduras, cortaduras, desgaste o pérdidas de agua.
- El aparato debe conectarse a los grifos de agua usando las mangueras nuevas. No use mangueras viejas.

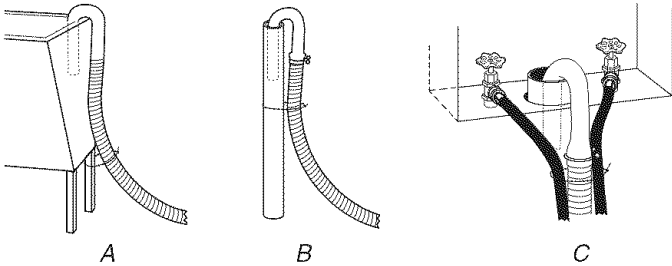
## Fijación de la manguera de desagüe

- Traslade el centro de lavandería a su ubicación final y quite el cartón que haya usado para moverlo.
- Localice el fleje plástico incluido en el paquete de piezas.



Fleje rebordeado

- Asegure la manguera de desagüe a la pata del lavadero o al tubo vertical con el fleje plástico (A ó B abajo).



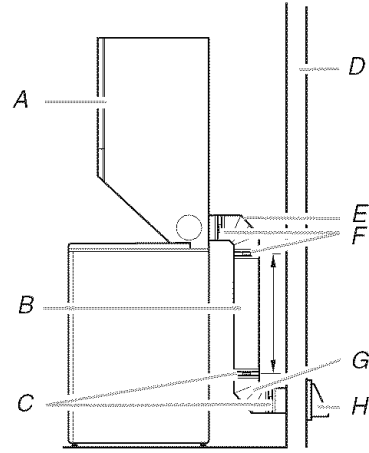
Si los grifos de agua y el tubo vertical de desagüe están empotrados, coloque el extremo con forma de gancho de la manguera de desagüe en el tubo vertical. Enrolle el fleje de plástico con firmeza alrededor de las mangueras de entrada de agua y de la manguera de desagüe (C arriba).

## Planificación del sistema de ventilación

### Seleccione su tipo de instalación de ventilación

#### Instalaciones recomendadas de escape

Las instalaciones típicas tienen la ventilación de la secadora en la parte posterior del centro de lavandería. Otras instalaciones son posibles.



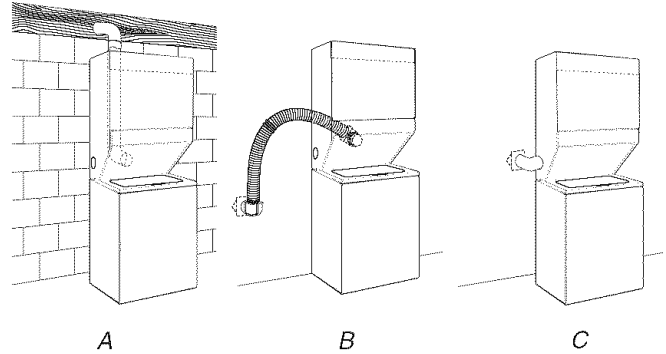
- |  |                          |
|--|--------------------------|
| A. Secadora                                      | E. Codo                  |
| B. Tubo de metal rígido o tubo de metal flexible | F. Abrazaderas           |
| C. Abrazaderas                                   | G. Codo                  |
| D. Pared   | H. Capota de ventilación |

#### Instalaciones opcionales del escape

Este centro de lavandería puede convertirse para ventilarse al exterior por el lado derecho o izquierdo. Para convertir el centro de lavandería, use el Juego de Escape lateral No. 279823. Si el centro de lavandería tiene la ventilación lateral a la derecha o a la izquierda, se puede cambiarla por una ventilación en la parte posterior usando conexiones de desacople estándares. Para cubrir el orificio lateral se puede añadir uno de los siguientes tapones:

- 692790 (blanco)
- 3979370 (grafito)
- 3977784 (bisque)

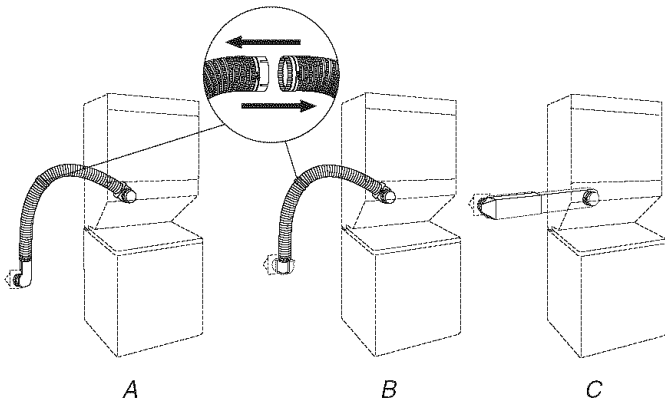
Siga las instrucciones incluidas con el juego para la instalación. Los juegos se encuentran disponibles en su tienda Sears o en el Centro de servicio Sears de su localidad.



- Instalación estándar con desviación de la ventilación en la parte posterior
- Ventilación posterior para conexión con desviación en espacios reducidos
- Instalación de ventilación lateral a la izquierda o a la derecha

### Instalaciones alternas para espacios limitados

Los sistemas de ventilación vienen en una amplia gama. Seleccione el tipo más apropiado para su instalación. A continuación se ilustran dos tipos de instalación para espacios limitados. Consulte las instrucciones del fabricante.



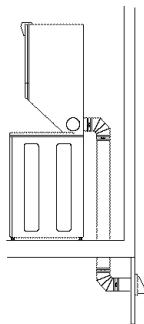
A. Sistema de lazo con codos estándares  
 B. Sistema de lazo con un codo estándar y un codo de desviación  
 C. Sistema de ventilación con un periscopio (espacio de 2" [5 cm])

**NOTA:** Se pueden adquirir los siguientes juegos para instalaciones alternas en espacios limitados. Para más información, por favor llame al **1-800-4-MY-HOME® (1-800-469-4663)**.

- Instalación en la parte superior:  
Pieza número 26-49900
- Instalación de periscopio (Para usar si hay desacoplo entre el ducto de escape de la secadora y el ducto de escape de la pared):  
 Pieza número 26-49901 – Desacoplo de menos de 5" (12,7 cm).  
 Pieza número 26-49908 – Desacoplo de 5" (12,7 cm) a 18" (45,7 cm).  
 Pieza número 26-49904 – Desacoplo de 18" (45,7 cm) a 29" (73,7 cm).  
 Pieza número 26-49905 – Desacoplo de 29" (73,7 cm) a 50" (127 cm).

### Previsiones especiales para las instalaciones en casas rodantes

El ducto de escape deberá sujetarse firmemente en un lugar no inflamable de la estructura de la casa rodante y no debe terminar debajo de la casa rodante. El ducto de escape debe terminar en el exterior.



### Determinación de la vía del ducto de escape

- Seleccione la vía que proporcione el trayecto más recto y directo al exterior.
- Planifique la instalación a fin de usar el menor número posible de codos y vueltas.
- Cuando use los codos o haga vueltas, deje todo el espacio que sea posible.
- Doble el ducto gradualmente para evitar torceduras.
- Use la menor cantidad posible de vueltas de 90°.

### Determinación de la longitud del ducto de escape y de los codos necesarios para obtener un óptimo rendimiento de secado

- Use el cuadro del sistema de ventilación a continuación para determinar el tipo de material para ducto y la combinación de capota aceptable a usar.  
**NOTA:** No use tendidos de ducto de escape más largos que los especificados en el cuadro del sistema de ventilación. Los sistemas de ventilación más largos que los especificados:
  - Acortarán la vida de la secadora.
  - Reducirán el rendimiento, dando lugar a tiempos de secado más largos y un aumento en el consumo de energía.

El cuadro del sistema de ventilación indica los requisitos de ventilación que le ayudarán a alcanzar el mejor rendimiento de secado.

### Cuadro del sistema de ventilación

**NOTA:** Las instalaciones de ventilación laterales e inferiores tienen una vuelta de 90° dentro de la secadora. Para determinar la longitud máxima de ventilación, agregue una vuelta de 90° al cuadro

No. de vueltas de 90° o codos	Tipo de ducto	Capotas de ventilación de caja o tipo persianas	Capotas angulares
0	Metal rígido	43 pies (13,1 m)	36 pies (11,0 m)
	Metal flexible	30 pies (9,1 m)	24 pies (7,3 m)
1	Metal rígido	33 pies (10,1 m)	26 pies (7,9 m)
	Metal flexible	24 pies (7,3 m)	18 pies (5,5 m)
2	Metal rígido	24 pies (7,3 m)	16 pies (4,9 m)
	Metal flexible	16 pies (4,9 m)	10 pies (3,0 m)

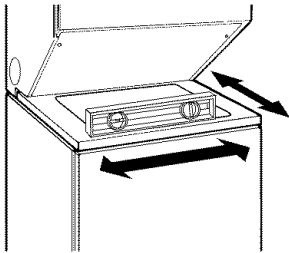
## Instalación del sistema de ventilación

1. Instale la capota de ventilación. Emplee una masilla de calafateo para sellar la abertura de la pared externa alrededor de la capota de ventilación.
2. Conecte el ducto de escape a la capota de ventilación. El ducto de escape debe encajar dentro de la capota de ventilación. Asegure el ducto de escape a la capota de ventilación con una abrazadera de 4" (10,2 cm).
3. Extienda el ducto de escape a la ubicación de la secadora. Use la vía más recta posible. Vea "Determinación de la vía del ducto de escape" en "Planificación del sistema de ventilación". Evite giros de 90°. Use las abrazaderas para sellar todas las uniones. No use cinta para ductos, tornillos u otros dispositivos que se extiendan hacia el interior del ducto de escape para asegurarlo.

## Para nivelar el centro de lavandería

Una buena nivelación de su centro de lavandería evita ruidos y vibraciones excesivos.

1. Verifique la nivelación del centro de lavandería colocando un nivel sobre el borde superior de la lavadora, primero de lado a lado y luego de frente hacia atrás.



2. Si el centro de lavandería no está nivelado, apuntele el frente del mismo, usando un bloque de madera y ajuste las patas hacia arriba o hacia abajo, según sea necesario. Retire el bloque de madera y baje el centro de lavandería. Repita este paso hasta que el centro de lavandería quede nivelado.

## Conexión del ducto de escape

1. Usando una abrazadera de 4" (10,2 cm), conecte el ducto de escape a la salida de escape en el centro de lavandería. Si se conecta a un ducto de escape existente, asegúrese de que el mismo esté limpio. El ducto de escape de la secadora debe encajar sobre la salida de aire de la lavadora y dentro de la capota de ventilación. Cerciórese de que el ducto de escape esté asegurado a la capota de ventilación con una abrazadera de 4" (10,2 cm).
2. Mueva el centro de lavandería a su posición final. No aplaste o retuerza el ducto de escape. Cerciórese de que el centro de lavandería esté nivelado.

## Cómo terminar la instalación

1. Revise para cerciorarse de que todas las piezas estén instaladas. Si hay alguna pieza extra, vuelva a revisar todos los pasos para ver cuál se omitió.
2. Verifique si tiene todas las herramientas.
3. Deshágase de todos los materiales de embalaje o recíclelos. Guarde la espuma de plástico en el caso de que deba transportar el centro de lavandería.
4. Revise la localización final del centro de lavandería. Asegúrese de que el ducto de escape no esté aplastado o retorcido.
5. Cerciórese de que el centro de lavandería esté nivelado y las patas niveladoras delanteras estén ajustadas. Consulte "Para nivelar el Centro de lavandería".
6. Para una instalación con cable de suministro de energía, enchufe en el contacto. Para una instalación con cableado directo, encienda el suministro de energía.
7. Cerciórese de que están abiertos los grifos de agua.
8. Busque si hay fugas alrededor de los grifos y de las mangueras de entrada.
9. Quite la película protectora azul que está en la consola y cualquier cinta adhesiva que haya quedado en el centro de lavandería.
10. Vea "Uso de la lavadora" y "Uso de la secadora".
11. Limpie el interior del tambor de la secadora meticulosamente con un paño húmedo para quitar residuos de polvo.
12. Para probar la lavadora, mida ½ de la cantidad normalmente recomendada de detergente y viértala en la lavadora. Cierre la tapa. Seleccione HEAVY DUTY (Lavado pesado) y jale la perilla de control de ciclos. Deje que la lavadora termine un ciclo completo.
13. Para probar la secadora, ajústela en un ciclo completo de calor (no en un ciclo de aire) por 20 minutos y póngala en marcha.

### Si la secadora no funciona, revise lo siguiente:

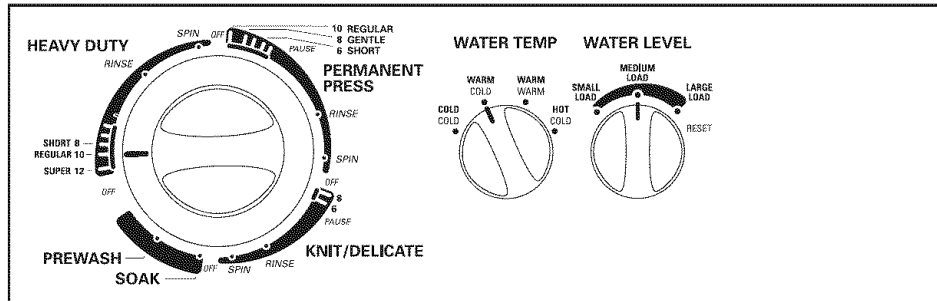
- Que los controles estén fijados en una posición de funcionamiento u "On" (encendido).
  - Que se ha presionado con firmeza el botón de empuje para poner en marcha la secadora (PUSH TO START DRYER).
  - Que el centro de lavandería esté enchufado en un contacto y/o el suministro de energía eléctrica esté encendido.
  - Que el fusible de la casa esté intacto y ajustado, o que no se haya disparado el cortacircuitos.
  - Que la puerta de la secadora esté cerrada.
14. Cuando la secadora haya estado funcionando por 5 minutos, abra la puerta y sienta si hay calor.

### Si no siente el calor, apague la secadora y revise lo siguiente:

- Es posible que la secadora tenga 2 fusibles o cortacircuitos. Asegúrese de que ambos fusibles estén intactos y ajustados, o de que ambos cortacircuitos no se hayan disparado. Si aún así no siente calor, contacte a un técnico calificado.

**NOTA:** Es posible que sienta olor a quemado cuando la secadora se caliente por primera vez. Este olor es común cuando se usa por primera vez el elemento de calefacción. El olor desaparecerá.

# USO DE LA LAVADORA



## Puesta en marcha de la lavadora

### ⚠ ADVERTENCIA



#### Peligro de Incendio

Nunca coloque en la lavadora artículos que estén humedecidos con gasolina o cualquier otro líquido inflamable.

Ninguna lavadora puede eliminar completamente el aceite.

No seque ningún artículo que haya tenido alguna vez cualquier tipo de aceite (incluyendo aceites de cocina).

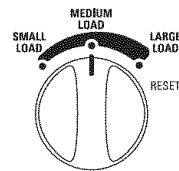
No seguir estas instrucciones puede ocasionar la muerte, explosión o incendio.

**ADVERTENCIA:** A fin de reducir el riesgo de incendio, de choque eléctrico o de daños personales, lea las INSTRUCCIONES IMPORTANTES DE SEGURIDAD antes de operar este aparato.

La siguiente es una guía para poner su lavadora en marcha. Las consultas periódicas a otras secciones de este manual proporcionarán información más detallada.

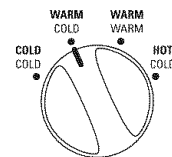
1. Vierta la cantidad medida de detergente en polvo o líquido en la lavadora. Agregue blanqueador en polvo o blanqueador líquido no decolorante, si lo desea.
2. Coloque una carga de ropa separada en la lavadora.
  - Cargue la lavadora uniformemente para mantener el equilibrio de la misma. Mezcle artículos grandes con artículos pequeños. Vea "Cómo cargar".
  - Las prendas deben moverse con facilidad en el agua de lavado. Sobrecargar la lavadora puede causar una limpieza insatisfactoria.
3. Cierre la tapa de la lavadora.
4. Gire la perilla de Nivel del agua (WATER LEVEL) al ajuste apropiado para la carga y el tipo de tela que se van a lavar.

#### WATER LEVEL



- Seleccione un tamaño de carga que permita que ésta se mueva libremente para el mejor cuidado de las telas. Vea "Cómo cargar".
  - Usted puede cambiar el tamaño de la carga después de que se haya empezado a llenar la lavadora girando el selector a un ajuste diferente.
5. Fije el selector de Temperatura del agua (WATER TEMP) al ajuste apropiado para la carga y la suciedad que se van a lavar.

#### WATER TEMP



Use la temperatura de agua más caliente que se pueda que no dañe las telas. Siga las instrucciones en la etiqueta de la prenda.

Temperatura del agua	Para usar con
<b>Caliente (Hot)</b>	Ropa blanca y de color pastel Suciedad profunda
<b>Tibia (Warm)</b>	Colores brillantes Suciedad entre moderada y ligera
<b>Fría (Cold)</b>	Colores que destiñen o se opacan Suciedad ligera

**NOTA:** En temperaturas de agua inferiores a 60°F (15.6°C), los detergentes no se disuelven bien. Además puede ser difícil quitar la suciedad. Algunas telas pueden retener las arrugas del uso y aumentar las motitas (la formación de pequeñas bolitas en la superficie de las prendas).



- Empuje la perilla de control de ciclos y gírela en la dirección de las manecillas del reloj hasta el ciclo de lavado que desee. Jale la perilla del control de ciclos para poner la lavadora en marcha.

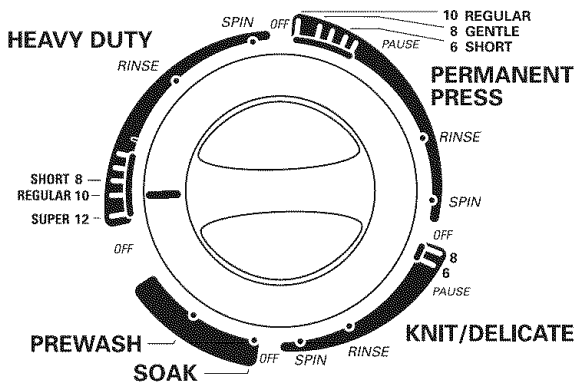
**Para detener o volver a poner en marcha su lavadora:**

- Para detener la lavadora en cualquier momento, empuje la perilla de control de ciclos.
- Para volver a poner en marcha la lavadora, cierre la tapa (si está abierta) y jale la perilla de control de ciclos.

## Ciclos

Esta sección describe los ciclos de lavado disponibles y le ayudará a hacer las mejores selecciones para sus cargas de lavado. Cada ciclo fue diseñado para distintos tipos de tela y niveles de suciedad.

- La lavadora hace una breve pausa durante cada ciclo. Estas pausas son normales. Vea “Sonidos normales” para los sonidos que se pueden escuchar durante un ciclo de lavado.
- Vea “Para comprender los ciclos de la lavadora” para aprender lo que sucede durante un ciclo de lavado.



### Lavado intenso (Heavy Duty)

Use este ciclo para cargas pesadas o con suciedad profunda. El lavado combina una velocidad rápida de agitación con velocidades rápidas de exprimido.

- Use los ajustes Super o Regular para telas pesadas y con suciedad profunda.
- Use el ajuste Corto (Short) para telas delicadas o con suciedad ligera.

### Planchado permanente (Permanent Press)

El ciclo de Planchado permanente incluye un proceso de enfriamiento para la carga, lo cual evita que se formen arrugas. El lavado combina una velocidad lenta y rápida de agitación con velocidades lentas de exprimido.

Cuando el temporizador alcanza Pausa (Pause), la lavadora se vaciará y hará una pausa durante 2 minutos aproximadamente mientras un poco del agua de lavado se vacía y se reemplaza con agua de enjuague.

### Tejidos de punto/Delicado (Knit/Delicate)

Use este ciclo para lencería y tejidos sueltos de punto. A la mitad del ciclo, la lavadora hace pausa y remoja la carga para un cuidado más delicado de prendas con suciedad ligera. El lavado combina una velocidad lenta de agitación para remover delicadamente la suciedad con velocidades lentas de exprimido para evitar que se formen arrugas.

### Remojo (Soak)

El ciclo de remojo incluye 4 minutos de agitación seguido por un tiempo ilimitado de remojo para ayudar a quitar suciedad profunda y manchas rebeldes que necesiten un pretratamiento.

Usted tendrá que reajustar la lavadora a un ajuste de Exprimido (SPIN) para quitar el agua.

- El ciclo de remojo deberá seguirse por el ciclo de Lavado pesado, Planchado permanente o Prelavado, agregando detergente adicional.

**NOTA:** No se recomienda usar agua caliente para el remojo. Es posible que se fijen algunas manchas.

### Prelavado (Prewash)

Use este ciclo para obtener hasta 4 minutos de agitación para ayudar a quitar suciedad profunda y manchas rebeldes que necesiten un pretratamiento.

- El ciclo de prelavado deberá de seguirse por el ciclo de Lavado intenso o Planchado permanente, agregando detergente adicional.

## Enjuague y exprimido

Cuando se use detergente adicional para ropa con suciedad profunda, o si se está lavando prendas que necesiten un cuidado especial, se puede necesitar un enjuague y exprimido adicionales.

- Empuje la perilla de control de ciclos y gírela en la dirección de las manecillas del reloj hasta cualquiera de los ajustes de Enjuague (RINSE).
  - Para una agitación y un exprimido rápidos, use el ciclo Lavado intenso.
  - Para una agitación y un exprimido lentos, use el ciclo Planchado permanente.
- Fije los controles de Nivel del agua (WATER LEVEL) y Temperatura del agua (WATER TEMP) al ajuste deseado.
- Jale la perilla de control de ciclos. La lavadora se llena al nivel de la carga seleccionada, agita, desagua y exprime.

## Desagüe y exprimido

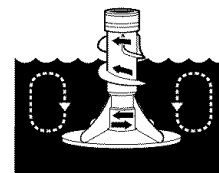
Un desagüe y exprimido pueden ayudar a proporcionar un tiempo de secado más corto para algunas telas pesadas o artículos que necesiten un cuidado especial al quitar el exceso de agua.

- Empuje la perilla de control de ciclos y gírela en la dirección de las manecillas del reloj hasta cualquiera de los ajustes de Exprimido.
  - Para un exprimido rápido, use el ciclo Lavado intenso.
  - Para un exprimido lento, use el ciclo Planchado permanente.
- Jale la perilla de control de ciclos. La lavadora desagua, luego exprime.

## Para comprender los ciclos de la lavadora





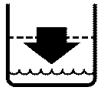



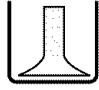
Cuando se fija la perilla del Control de ciclos en un número y se jala hacia afuera, la lavadora se llena (hasta el tamaño de carga seleccionado) antes de que comience la agitación y la medida del tiempo. Inmediatamente después del llenado la lavadora comienza la agitación con la cerrada.

Durante la agitación, el agitador crea una acción continua envolvente que proporciona una limpieza minuciosa de la carga de lavado.



Una vez iniciada la agitación, la perilla de Control de ciclos gira a la derecha hasta señalar la zona Apagado (Off) y el ciclo termina.

**NOTA:** La lavadora hace pausas breves durante cada ciclo. Estas pausas son normales para el funcionamiento de la lavadora.

LAVADO	ENJUAGUE
 1. Llenado	 1. Llenado
 2. Lavado tiempo seleccionado	 2. Enjuague
 3. Desagüe* Sin agitación	 3. Desagüe Sin agitación
 4. Exprimido	 4. Exprimido-Enjuague por rocío
	 5. Exprimido
* El ciclo de Planchado permanente desagua parcialmente, llena, agita brevemente y desagua.	 6. Apagado (Off)

### Sonidos normales

Como ocurre con cualquier producto nuevo, usted escuchará sonidos a los cuales no está acostumbrado. Usted escuchará varios sonidos que ocurren durante el proceso de lavado, enjuague, y exprimido. Durante los intervalos entre las etapas de lavado, habrá pausas momentáneas. Usted escuchará el rociado y chapoteo del agua durante los ciclos de lavado y enjuague. Usted escuchará el aire cuando es empujado a través de la bomba durante el final del desagüe o los engranajes que cambian cuando cambia el ciclo. Estos sonidos forman parte del funcionamiento normal de la lavadora.

## CONSEJOS DE LAVANDERÍA

### Preparación de la ropa para lavar

Siga estas recomendaciones para ayudarle a prolongar la vida de sus prendas de vestir.

- Cierre los zípers, broches de presión y corchetes para evitar que enganchen otros artículos. Quite alfileres, hebillas y demás objetos duros para evitar que rayen el interior de la lavadora. Quite todo adorno y ornamento que no sea lavable.
- Vacíe los bolsillos y vuélvalos al revés.
- Doble los puños y limpie con un cepillo la pelusa y la suciedad.
- Vuelva al revés las prendas de tejido sintético para evitar que se llenen de pelusas.
- Ate los cordones y fajas de modo que no se enreden.
- Remiende lo que esté roto así como las costuras y dobladillos flojos.
- Trate las manchas y suciedades.
- Las prendas manchadas o mojadas deberán lavarse con prontitud para obtener mejores resultados.

### Selección de la ropa

- Separe las prendas con suciedad rebelde de las que están ligeramente sucias, aún cuando éstas normalmente se lavarían juntas. Separe las prendas que sueltan pelusa (toallas, felpilla) de las que atraen pelusa (pana, artículos sintéticos, planchado permanente). Siempre que sea posible, vuelva al revés las prendas que sueltan pelusa.
- Separe los colores oscuros de los colores claros, los artículos no desteñibles de los que sí lo son.
- Separe por tipo de tela y estructura (prendas fuertes de algodón, tejidos de punto y prendas finas).

### Cómo cargar

#### Sugerencias para cargar (cargas máximas de ropa)

##### Centro de lavandería

##### Ropa de trabajo pesada

2 pantalones  
3 camisas de trabajo

##### Toallas

9 toallas de baño o  
6 toallas de baño, 3 toallas de mano y 6 toallas faciales

##### Planchado permanente

6 camisas o  
2 sábanas de 2 plazas y  
2 fundas o  
2 sábanas de 1 plaza y  
2 fundas

##### Carga mixta

1 pantalón  
2 fundas  
2 camisas  
1 camiseta

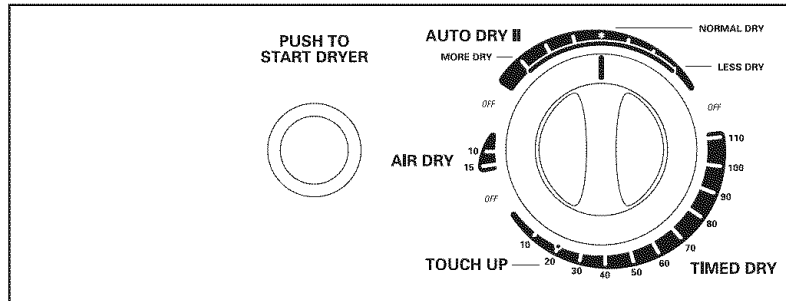
##### Tejidos de punto

2 pantalones y 2 camisas o  
3 vestidos

##### Artículos delicados

1 camisola  
2 fondos  
4 piezas de ropa interior  
1 juego de pijamas  
1 enagua

# USO DE LA SECADORA



## Puesta en marcha de su secadora

### ⚠ ADVERTENCIA



#### Peligro de Explosión

Mantenga los materiales y vapores inflamables, tales como la gasolina, alejados de la secadora.

No seque ningún artículo que haya tenido alguna vez cualquier sustancia inflamable (aún después de lavarlo).

No seguir estas instrucciones puede ocasionar la muerte, explosión o incendio.

### ⚠ ADVERTENCIA



#### Peligro de Incendio

Ninguna lavadora puede eliminar completamente el aceite.

No seque ningún artículo que haya tenido alguna vez cualquier tipo de aceite (incluyendo los aceites de cocina).

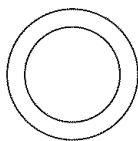
Los artículos que contengan espuma, hule o plástico deben secarse en un tendedero o usando un Ciclo de Aire.

No seguir estas instrucciones puede ocasionar la muerte o incendio.

Antes de usar su secadora, limpie el interior del tambor con un paño húmedo para quitar residuos de polvo que se acumularon durante el almacenaje y el transporte.

1. Verifique el filtro de pelusa, límpielo si fuera necesario. Vea "Limpieza del filtro de pelusa".
2. Coloque la ropa en la secadora de modo suelto y cierre la puerta. No llene en exceso la secadora. Deje suficiente espacio para que la ropa rote con libertad.
3. Gire la Perilla de control de ciclos al ciclo y a la temperatura recomendados para el tipo de carga que se va a secar. Vea "Consejos de secado, ciclos y temperatura".
4. Presione el botón Empuje para poner en marcha la secadora (PUSH TO START DRYER).

**PUSH TO  
START DRYER**



## Para detener y volver a poner en marcha

Usted puede detener su secadora en cualquier momento durante un ciclo.

#### Para detener su secadora

Abra la puerta de la secadora o gire la perilla de Control de Ciclos a Apagado (OFF).

**NOTA:** La perilla de Control de Ciclos debe apuntar hacia el área de Off cuando la secadora no está en uso.

#### Para volver a poner en marcha su secadora

1. Cierre la puerta.
2. Seleccione un nuevo ciclo y temperatura (si lo desea).
3. Presione el botón Empuje para poner en marcha la secadora.

## Cómo cargar

Coloque la ropa en la secadora de modo suelto. No llene en exceso la secadora. Deje suficiente espacio para que la ropa rote con libertad. El cuadro a continuación ilustra ejemplos de cargas balanceadas que permitirán el movimiento de tambor adecuado.

<b>Ropa de trabajo pesada</b>	2 pantalones, 3 camisas de trabajo
<b>Ropa delicada</b>	1 camisola, 2 fondos, 4 piezas de ropa interior, 1 juego de pijama, 1 enagua
<b>Toallas</b>	9 toallas de baño o 6 toallas de baño, 3 toallas de mano, 6 toallas faciales
<b>Carga mixta</b>	2 fundas, 1 camiseta, 2 camisas, 1 pantalón
<b>Tejidos de punto</b>	2 pantalones, 2 camisas; o 3 vestidos
<b>Planchado permanente</b>	6 camisas; o 2 sábanas de 2 plazas y 2 fundas; o 2 sábanas de 1 plaza y 2 fundas

## Consejos de secado, ciclos y temperatura

Seleccione el ciclo y la temperatura correctos para su carga de ropa.

### Consejos de secado

- Siga las instrucciones de cuidado de la etiqueta siempre que estén disponibles.
- Si usa hojas de suavizantes de tejidos, emplee únicamente las que llevan etiquetas de “para uso en secadoras”. Siga las instrucciones del paquete.
- Quite la carga de ropa de la secadora tan pronto se detenga la rotación para evitar que las prendas se arruguen. Esto es de singular importancia para las prendas de planchado permanente, tejidos de punto y fibras sintéticas.

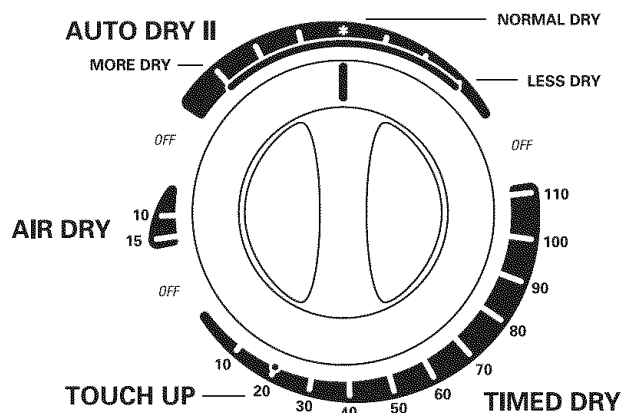
### Consejos de temperatura y de ciclos

- Seque la mayoría de sus cargas usando el ajuste Secado normal (Normal Dry [\*]).
- Use un ajuste de Más seco (More Dry) para secar artículos pesados tales como toallas y ropa de trabajo.
- Use un ajuste de secado normal para secar artículos de peso mediano tales como sábanas, ropa interior, telas de planchado permanente y algunos tejidos de punto.
- Use un ajuste de Menos seco (Less Dry) para secar artículos de peso liviano tales como lencería, blusas, vestidos y algunos tejidos de punto.
- Use un ajuste sin calor (de aire) para artículos de goma, de plástico o telas sensibles al calor.
- Seque en el tendedero las telas laminadas o tratadas.

Si tiene duda respecto a la temperatura que debe seleccionar para una carga de ropa, elija el ajuste más bajo en vez del ajuste más alto.

**NOTA:** Si usted tiene preguntas acerca de las temperaturas de secado para las diferentes cargas de ropa, refiérase a las instrucciones en la etiqueta de cuidado de las prendas.

## Ciclos



### Secado automático II (Auto Dry II)

Use este ciclo para secar la mayoría de sus cargas. El nivel de secado está determinado por termostatos que reaccionan a la cantidad de humedad del aire que sale de la secadora. El aire húmedo indica que la ropa está mojada. El aire seco indica que se ha quitado la humedad.

Este ciclo incluye un período de enfriamiento de 10 minutos (aproximadamente) al fin del ciclo para hacer que la ropa sea más fácil de manejar y para reducir la formación de arrugas.

Seque la mayoría de las cargas usando el ajuste de Secado normal (Normal Dry [\*]). Al final de ciclo, asegúrese de que la ropa esté seca.

- Si está más seca de lo que le gustaría, seleccione un ajuste más cerca de Menos seco (LESS DRY) la próxima vez que seque una carga similar.
- Si la carga no está tan seca como a usted le gustaría, termine el secado con el ciclo de Secado programado (Timed Dry). La próxima vez que seque una carga similar, seleccione un ajuste más cerca de Más seco (MORE DRY).

**NOTA:** El tiempo de secado con un ciclo automático varía según el tipo de tela, el tamaño de la carga y el ajuste de la temperatura. Vea “Consejos de secado, ciclos y temperatura”.

### Secado programado (Timed Dry)

Use este ciclo para terminar el secado si los artículos todavía están húmedos luego del ciclo de Secado automático II. Secado programado también es útil para artículos muy pesados o voluminosos, tales como cubrecamas, ropa de trabajo y cargas de ropa voluminosas que requieren un tiempo de secado prolongado. Use este ciclo para obtener hasta 110 minutos de tiempo de secado con calor. Al ciclo con calor le sigue un período de enfriamiento de 10 minutos (aproximadamente).

### Retoque (Touch Up)

Use este ciclo para quitar las arrugas de ropa limpia de telas sintéticas o de planchado permanente que ha estado empacada apretadamente en una valija o ropero. Este ajuste proporciona 20 minutos de rotación con calor (aproximadamente) y le sigue un período de enfriamiento de 10 minutos (aproximadamente). Quite la ropa tan pronto como termine la rotación.

## Secado al aire (Air Dry)

Use el ciclo de secado al aire para artículos que requieren secado sin calor, tales como artículos de goma, plástico y tejidos sensibles al calor. Este cuadro muestra ejemplos de artículos que pueden secarse usando el ciclo de secado al aire.

Tipo de carga	Minutos*
Hule espuma — almohadas, sostenes acolchados, juguetes de peluche	20 - 30
Plástico — cortinas de baño, manteles	20 - 30
Alfombras con el reverso de goma	40 - 50
Olefina, polipropileno, nylon diáfano	10 - 20

\*Vuelva a ajustar el tiempo según sea necesario para permitir que los artículos se sequen completamente.

## Siempre que use el Secado al aire

- Revise que las cubiertas tengan buenas costuras.
- Sacuda y ahueque las almohadas a mano periódicamente durante el ciclo.
- Seque el artículo completamente. Las almohadas de hule espuma tardan en secarse.

## Alarma de Fin de Ciclo (End of Cycle Signal)

La secadora emitirá una alarma una vez terminado el ciclo de secado. Esta alarma es útil cuando esté secando artículos que necesitan quitarse de la secadora tan pronto como se detenga para evitar que se formen arrugas.

# CUIDADO DEL CENTRO DE LAVANDERÍA

## Limpieza del lugar donde está del centro de lavandería

Mantenga el área donde está la secadora despejada y libre de artículos que pudieran obstruir el flujo de aire para la combustión y la ventilación.

### ⚠ ADVERTENCIA



#### Peligro de Explosión

Mantenga los materiales y vapores inflamables, tales como la gasolina, alejados de la secadora.

No seguir estas instrucciones puede ocasionar la muerte, explosión o incendio.

## Cómo limpiar su lavadora

### Limpieza externa

Use un paño o una esponja suave y húmeda para limpiar cualquier derrame, tales como los de detergente o de blanqueador. De vez en cuando, limpie el exterior de su lavadora para que se vea como nueva.

### Limpieza interna

Limpie el interior de su lavadora mezclando 1 taza (250 ml) de blanqueador con cloro y 2 tazas de detergente. Vierta esta mezcla en su lavadora y deje funcionar su lavadora durante un ciclo completo, utilizando agua caliente. Repita este proceso si fuera necesario.

**NOTA:** Quite los depósitos endurecidos de agua usando solamente productos de limpieza cuya etiqueta indica que pueden emplearse en lavadoras.

## Mangueras de entrada de agua

Reemplace las mangueras de entrada de agua después de 5 años de uso para reducir el riesgo de fallas. Inspeccione periódicamente y cambie las mangueras si se hallan protuberancias, torceduras, cortes, desgaste o pérdidas de agua.

Cuando reemplace sus mangueras de entrada de agua, anote la fecha de reposición en la etiqueta con un marcador permanente.

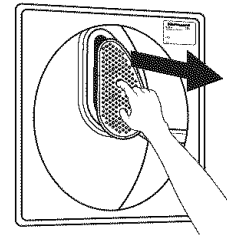
## Limpieza del filtro de pelusa

### Limpieza de cada carga

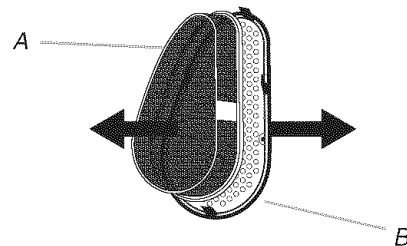
El filtro de pelusa está localizado en la pared posterior de la secadora. Limpie la pelusa antes del secado de cada carga. Un filtro obstruido con pelusa puede aumentar el tiempo de secado.

### Para limpiar

1. Quite el filtro de pelusa y la tapa.

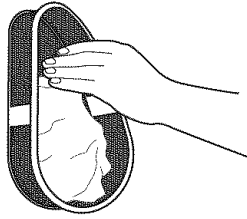


2. Separe la tapa y el filtro apretando el filtro y jalando la tapa al mismo tiempo.



A. Filtro  
B. Tapa

- Quite la pelusa enrollándola con los dedos. No enjuague o lave el filtro para quitar la pelusa. La pelusa mojada es difícil de quitar.



- Vuelva a juntar el filtro y la tapa y empújelos firmemente hasta que queden en su lugar.

#### **IMPORTANTE:**

- No ponga a funcionar la secadora con el filtro de pelusa flojo, dañado, obstruido o ausente. El hacerlo puede causar un sobrecalentamiento y dañar tanto la secadora como las prendas.
- Si al quitar la pelusa del filtro ésta cae dentro de la secadora, revise la capota de ventilación y quite la pelusa. Vea “Requisitos de ventilación”.

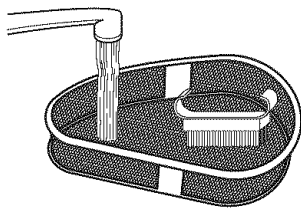
#### **Limpieza periódica**

Los residuos de detergente y suavizante de telas pueden acumularse en el filtro de pelusa. Esta acumulación puede dar lugar a períodos más prolongados de secado de su ropa, o causar que la secadora se detenga antes de que su ropa esté completamente seca. El filtro está probablemente obstruido si la pelusa se cae del mismo.

Limpie el filtro de pelusa (como se indica a continuación) cada seis meses o con más frecuencia si se obstruye debido a la acumulación de residuos.

#### **Para lavar**

- Quite la pelusa enrollándola con los dedos.
- Moje ambos lados del filtro de pelusa con agua caliente.
- Moje un cepillo de nylon con agua caliente y detergente líquido. Talle el filtro de pelusa con el cepillo para quitar la acumulación de residuos.



- Enjuague el filtro con agua caliente.
- Seque minuciosamente el filtro de pelusa con una toalla limpia. Vuelva a colocar el filtro en la secadora.

---

## **Limpieza del interior de la secadora**

#### **Para limpiar el tambor de la secadora**

- Aplique un producto de limpieza líquido no inflamable en el área manchada y frote con un paño suave hasta quitar todo el tinte en exceso.
- Limpie el tambor minuciosamente con un paño húmedo.
- Seque una carga de ropa limpia o toallas para secar el tambor.

**NOTA:** Las prendas de colores que destiñen tales como mezclillas o artículos de algodón de colores vivos, pueden teñir el interior de la secadora. Estas manchas no dañan su secadora ni mancharán las cargas futuras de ropa. Seque los artículos de colores que destiñen al revés para evitar la transferencia del tinte.

---

## **Eliminación de pelusa acumulada**

#### **En el interior del gabinete de la secadora**

Según el uso de la secadora, se debe quitar la pelusa cada 2 años, o con más frecuencia. La limpieza deberá efectuarla una persona calificada.

#### **En el ducto de escape**

Según el uso de la secadora, se debe quitar la pelusa cada 2 años, o con más frecuencia.

---

## **Cuidado para las vacaciones, el almacenaje o en caso de mudanza**

Instale y almacene su centro de lavandería en un lugar donde no se congele. Debido a que queda algo de agua en las mangueras, la congelación de ésta puede dañar su centro de lavandería. Si va a almacenar o a mover su centro de lavandería durante una temporada de invierno riguroso, acondiciónela para el invierno.

#### **Falta de uso o cuidado durante las vacaciones**

Ponga a funcionar su centro de lavandería sólo cuando usted esté en casa. Si va a salir de vacaciones o no va a usar su centro de lavandería por un tiempo prolongado, usted deberá:

- Desenchufar el centro de lavandería o desconectar el suministro de energía.
- Interrumpir el suministro de agua a la lavadora. Esto ayuda a evitar inundaciones accidentales (debido a aumentos en la presión del agua) en ausencia suya.

#### **Para acondicionar su centro de lavandería para el invierno**

- Cierre ambos grifos de agua.
- Desconecte y elimine el agua de las mangueras de entrada de agua.
- Vierta un litro (1 L) de anticongelante tipo R.V. en la canasta.
- Ponga a funcionar la lavadora en un ajuste de desagüe y exprimido por 30 segundos aproximadamente para mezclar el anticongelante y el agua.
- Desenchufe el centro de lavandería o desconecte el suministro de energía.

#### **Para volver a usar el centro de lavandería**

- Deje correr el agua por los tubos y las mangueras.
- Vuelva a conectar las mangueras de entrada de agua.
- Abra ambos grifos de agua.

## ⚠ ADVERTENCIA



### Peligro de Choque Eléctrico

Conecte a un contacto de pared de conexión a tierra de 3 terminales.

No quite la terminal de conexión a tierra.

No use un adaptador.

No use un cable eléctrico de extensión.

No seguir estas instrucciones puede ocasionar la muerte, incendio o choque eléctrico.

4. Enchufe el centro de lavandería o vuelva a conectar el suministro de energía.
5. Ponga a funcionar la lavadora por un ciclo completo con 1 taza (250 mL) de detergente para limpiar el anticongelante.

### Para transportar el centro de lavandería

1. Cierre ambos grifos de agua.

2. Desconecte y elimine el agua de las mangueras de entrada de agua.
3. Si va a mover el centro de lavandería durante una temporada de invierno riguroso, coloque un litro (1 L) de anticongelante tipo R.V. en la canasta. Ponga a funcionar la lavadora en un ajuste de exprimido por 30 segundos aproximadamente para mezclar el anticongelante y el agua.
4. Desconecte y elimine el agua del sistema de desagüe.
5. Desenchufe el centro de lavandería o desconecte el suministro de energía. Desconecte el cable si el centro de lavandería está conectado por cableado directo.
6. Desconecte el ducto de escape.
7. Lave el filtro de pelusa.
8. Cerciórese de que las patas niveladoras estén seguras.
9. Coloque las mangueras de entrada en la canasta.
10. Cuelgue el cable eléctrico y la manguera de desagüe sobre el borde y hacia adentro de la canasta.
11. Use cinta adhesiva para asegurar la tapa de la lavadora y la puerta de la secadora.

### Reinstalación de su centro de lavandería

1. Siga las “Instrucciones de instalación” para ubicar, nivelar y conectar el centro de lavandería.
2. Ponga en marcha la lavadora en un ciclo completo usando una taza o una tapa llena de detergente para lavarla y para quitar el anticongelante, de haberlo usado.

## SOLUCIÓN DE PROBLEMAS DE LA LAVADORA

En primer lugar, pruebe las soluciones sugeridas aquí y posiblemente se evite el gasto de una llamada de servicio técnico...

### Lavadora y componentes

#### Ruidosos, vibrantes, desequilibrados

- **¿Está el piso combado, doblado o desnivelado?** Un piso que está combado o desnivelado puede contribuir a que la lavadora haga ruido y vibre. Los sonidos se pueden reducir colocando una madera laminada de  $\frac{3}{4}$ " (1,9 cm) debajo de la lavadora. Vea “Instrucciones de instalación”.
- **¿Está nivelada la lavadora?** La lavadora debe estar nivelada. Vea “Instrucciones de instalación”.
- **¿Está balanceada la carga?** Distribuya la carga uniformemente en la canasta de la lavadora y asegúrese de que la altura de la carga no supere la línea superior de orificios de la canasta.
- **¿Están cambiando de velocidad los engranajes después del desagüe y antes del exprimido, o está la parte superior del agitador haciendo chasquidos durante el lavado?** Estos ruidos de la lavadora son normales.
- **¿La lavadora produce un gorgoteo o zumbido?** Cuando la lavadora desagua, la bomba generará un zumbido continuo con sonidos de gorgoteo periódicos a medida que se quitan las últimas cantidades de agua. Esto es normal.
- **La canasta de la lavadora se mueve durante el lavado.** Esto es normal.

#### Pierde agua

- **¿Están ajustadas las mangueras de llenado?**
- **¿Están debidamente colocadas las empaquetaduras de las mangueras de llenado?** Controle ambos extremos de cada manguera. Vea “Conexión de las mangueras de entrada” en las Instrucciones de instalación.
- **¿Se ha instalado debidamente la manguera de desagüe?** Se debe fijar la manguera de desagüe al tubo de desagüe o a la tina de lavadero. Vea “Fijación de la manguera de desagüe” en las Instrucciones de instalación.
- **¿Está obstruido el lavadero o el desagüe?** El lavadero y el tubo de desagüe deben tener la capacidad para desplazar 17 galones (64 L) de agua por minuto. Si están obstruidos o lentos, el agua puede subir y salir por el tubo de desagüe o el lavadero. Revise la plomería de la casa (tinajas de lavadero, grifos, tubo de desagüe, tuberías de agua) y fíjese si hay fugas de agua.
- **¿Se está salpicando el agua fuera del aro del tambor?** Centre el tambor antes de poner la lavadora en marcha.
- **¿Se está salpicando el agua fuera de la carga?** Distribuya la carga uniformemente en la canasta de la lavadora y asegúrese de que la altura de la carga no supere la línea superior de orificios de la canasta. El llenado o los enjuagues por rocío pueden salpicar fuera de la carga.

## Funcionamiento de la lavadora

**La lavadora no se pone en marcha, no llena, no enjuaga o no agita; la lavadora se detiene**

### **! ADVERTENCIA**



#### **Peligro de Choque Eléctrico**

Conecte a un contacto de pared de conexión a tierra de 3 terminales.

No quite la terminal de conexión a tierra.

No use un adaptador.

No use un cable eléctrico de extensión.

No seguir estas instrucciones puede ocasionar la muerte, incendio o choque eléctrico.

- **¿Está el cable eléctrico enchufado en un tomacorriente de 3 terminales con conexión a tierra?** Conecte a un contacto de pared de conexión a tierra de 3 terminales.
- **¿Está usando un cable eléctrico de extensión?** No use un cable eléctrico de extensión.
- **¿Está el indicador de la perilla del control de ciclos debidamente alineado con un ciclo?** Gire la perilla de control de ciclos ligeramente a la derecha y jálela para poner en marcha.
- **¿Están obstruidos los filtros de la válvula de entrada del agua?** Cierre el agua y quite las mangueras de entrada de la lavadora. Saque cualquier película o partículas que se hayan acumulado. Vuelva a abrir las mangueras, abra el agua y revise si hay fugas de agua.
- **¿Están abiertos los grifos del agua caliente y del agua fría?** Abra el agua.
- **¿Está retorcida la manguera de entrada del agua?** Enderece las mangueras.
- **¿Parece que el nivel del agua está demasiado bajo, o parece que la lavadora no se llena por completo?** La parte superior del agitador está mucho más alta que el nivel más alto del agua. Esto es normal y es necesario para que la ropa se mueva libremente.

- **¿Se quemó un fusible de la casa o se disparó un disyuntor?** Reemplace el fusible o reposicione el circuito. Si el problema continúa, llame a un electricista.
- **¿Está la lavadora en una pausa normal en el ciclo?** La lavadora hace una pausa por unos 2 minutos durante ciertos ciclos. Deje continuar el ciclo. Algunos ciclos presentan períodos de agitación y remojo.
- **¿Está sobrecargada la lavadora?** Lave cargas más pequeñas.
- **¿Está abierta la tapa?** La tapa debe estar cerrada durante el funcionamiento. La lavadora no agita ni exprime con la tapa abierta.

#### **La lavadora continúa llenando o desaguando, el ciclo parece estar atascado**

- **¿Está la parte superior de la manguera de desagüe más baja que las perillas de control en la lavadora?** La parte superior de la manguera de desagüe debe estar a una altura mínima de 39" (99 cm) del piso. Vea "Sistema de desagüe" en las Instrucciones de instalación.
- **¿La manguera de desagüe encaja de manera forzada en el tubo vertical o está adherida con cinta al tubo vertical?** La manguera de desagüe debe estar floja pero debe encajar bien. No selle la manguera de desagüe con cinta adhesiva. La manguera necesita una abertura para el flujo de aire. Vea "Fijación de la manguera de desagüe" en las Instrucciones de instalación.

#### **La lavadora no desagua ni exprime, el agua queda en la lavadora**

- **¿Está obstruida la manguera de desagüe, o el extremo de la manguera de desagüe está a más de 96" (244 cm) por encima del piso?** Vea "Sistema de desagüe" en las Instrucciones de instalación.
- **¿Está abierta la tapa?** La tapa debe estar cerrada durante el funcionamiento. La lavadora no agita ni exprime con la tapa abierta.
- **¿Hay demasiada espuma?** Siempre mida el detergente. Siga las indicaciones del fabricante. Si tiene agua muy suave, quizás necesite menos detergente.

#### **Temperatura de Lavado/Enjuague**

- **¿Se han invertido las mangueras de entrada del agua caliente y del agua fría?** Vea "Conexión de las mangueras de entrada" en las Instrucciones de instalación.
- **¿Está lavando muchas cargas?** A medida que aumente la frecuencia de lavado de las cargas, es posible que disminuya la temperatura de agua caliente y tibia. Esto es normal.



## Cuidado de la ropa

### Ropa demasiado mojada

- **¿Ha empleado el ciclo correcto para la carga que está lavando?** Seleccione un ciclo con una velocidad más alta de exprimido (si está disponible).
- **¿Ha lavado una carga muy grande?** Una gran carga desequilibrada puede derivar en una menor velocidad de exprimido y ropa húmeda al final del ciclo. Distribuya la carga uniformemente y asegúrese de que la altura de la carga no supere la línea superior de orificios de la canasta.

### Residuos o pelusa en la ropa

- **¿Ha separado la ropa adecuadamente?** Separe las prendas que sueltan pelusa (toallas, felpilla) de las que atraen pelusa (pana, artículos sintéticos). También separe por color.
- **¿Ha sobrecargado la lavadora?** La carga de lavado debe estar equilibrada y sin sobrecarga. La ropa debe moverse con libertad. Si la lavadora está sobrecargada, la pelusa o el detergente en polvo pueden quedar adheridos a las prendas. Lave cargas más pequeñas.
- **¿Ha seleccionado el nivel de agua correcto?** El nivel de agua debe ser el apropiado para el tamaño de la carga. La carga debe quedar cubierta por agua.
- **¿Ha usado suficiente detergente?** Siga las indicaciones del fabricante. Use suficiente detergente para mantener la pelusa en el agua.
- **¿Ha secado la ropa en el tendedero?** Si es así, es posible que quede algo de pelusa en la ropa. El movimiento del aire y la rotación de la secadora quitan la pelusa de la carga.
- **¿Se dejó papel o pañuelo de papel en los bolsillos?**
- **¿Está la temperatura del agua por debajo de los 60°F (15,6°C)?** El agua de lavado con una temperatura inferior a 60°F (15,6°C) quizás no disuelva por completo el detergente.
- **¿Ha usado el tiempo del ciclo y la velocidad de agitación apropiados para la carga?** Otra manera de reducir la formación de pelusa es reducir el tiempo (la duración) del lavado y la velocidad de agitación.

### La ropa está arrugada, enroscada o enredada

- **¿Ha descargado la lavadora con rapidez?** Descargue la lavadora tan pronto como se detenga.
- **¿Ha empleado el ciclo correcto para la carga que está lavando?** Use ciclos con tiempos de lavado más cortos y bajas velocidades de lavado y exprimido (si están disponibles) para reducir las posibilidades de que la ropa se arrugue, enrede o enrosque.
- **¿Ha sobrecargado la lavadora?** La carga de lavado debe estar equilibrada y sin sobrecarga. Las prendas deben moverse con facilidad durante el lavado para reducir las posibilidades de que la ropa se arrugue, enrosque y enrede.
- **¿Estaba el agua de lavado lo suficientemente tibia para suavizar las arrugas?** Si no va a afectar las prendas, use agua tibia o caliente para el lavado. Para el enjuague, emplee agua fría.

- **¿Se han invertido las mangueras del agua caliente y del agua fría?** Cerciórese de que las mangueras del agua caliente y del agua fría estén conectadas a las llaves correctas. Un enjuague caliente seguido de un exprimido producirá arrugas. Vea “Conexión de las mangueras de entrada” en las Instrucciones de instalación.
- **¿Ha enrollado las prendas alrededor del agitador?** Ponga los artículos de manera suelta en la lavadora. No enrolle los artículos alrededor del agitador.

### Manchas, ropa blanca percutida, colores opacos

- **¿Ha separado la ropa adecuadamente?** Siempre que mezcle ropa blanca y de color en una carga puede ocurrir una transferencia de tintes. Separe las prendas de color oscuro de las blancas y claras.
- **¿Estaba la temperatura del agua demasiado baja?** Para lavar use agua caliente o tibia que no afecte la ropa. Cerciórese de que el sistema de agua caliente sea el adecuado para proveer un lavado con agua caliente.
- **¿Ha usado suficiente detergente, o tiene agua dura?** Use más detergente cuando lave prendas con suciedad rebelde en agua dura.
- **¿Se han invertido las mangueras del agua caliente y del agua fría?** Cerciórese de que las mangueras del agua caliente y del agua fría estén conectadas a los grifos correctos. Vea “Conexión de las mangueras de entrada” en las Instrucciones de instalación.
- **¿Ha seguido las instrucciones del fabricante cuando agregó el detergente y el suavizante de telas?** Mida el detergente y el suavizante de telas. Use suficiente detergente para quitar la suciedad y mantenerla en suspensión. Diluya el suavizante de telas y agréguelo solamente en la porción de enjuague del ciclo. No deje escurrir el suavizante de telas sobre la ropa.
- **¿Hay hierro (óxido) por encima del promedio en el agua?** Tal vez necesite instalar un filtro de óxido ferroso.

### Prendas dañadas

- **¿Se han quitado los artículos puntiagudos de los bolsillos antes del lavado?** Vacíe los bolsillos, cierre los zippers, los broches de presión y los corchetes antes del lavado para evitar que se enganche y rasgue la carga.
- **¿Se ataron los cordones y fajas para evitar que se enreden?** Los cordones y fajas pueden enredarse fácilmente en la carga, forzando las costuras y produciendo roturas.
- **¿Se dañaron las prendas antes del lavado?** Remiende lo que esté roto y descosido antes del lavado.
- **¿Ha sobrecargado la lavadora?** La carga de lavado debe estar equilibrada y sin sobrecarga. Las prendas deben moverse con facilidad durante el lavado.
- **¿Ha agregado correctamente el blanqueador con cloro?** No vierta el blanqueador con cloro directamente en la carga. Limpie los derrames del blanqueador. El blanqueador no diluido daña los tejidos. No coloque los artículos sobre el depósito del blanqueador cuando ponga o quite la ropa de la lavadora (en algunos modelos). No use más de la cantidad recomendada por el fabricante para una carga completa.
- **¿Ha seguido las instrucciones de la etiqueta de cuidado proporcionadas por el fabricante?**

# SOLUCIÓN DE PROBLEMAS DE LA SECADORA

En primer lugar, pruebe las soluciones sugeridas aquí y posiblemente se evite el gasto de una llamada de servicio técnico...

## Funcionamiento de la secadora

### La secadora no funciona

- **¿Se quemó un fusible de la casa o se ha disparado un disyuntor?** Es posible que la secadora tenga 2 fusibles o cortacircuitos. Asegúrese de que ambos fusibles estén intactos y ajustados, o de que ambos cortacircuitos no se hayan disparado. Reemplace el fusible o reposicione el cortacircuitos. Si el problema continúa, llame a un electricista.
- **¿Es el suministro de energía el correcto?** Las secadoras eléctricas requieren un suministro eléctrico de 240 voltios. Verifique con un electricista calificado.
- **¿Se usó un fusible regular?** Use un fusible retardador.
- **¿Está cerrada con firmeza la puerta de la secadora?**
- **¿Se oprimió con firmeza el botón de empuje para poner en marcha la secadora (PUSH TO START DRYER)?**

### Sin calor

- **¿Se ha quemado un fusible de la casa o se ha disparado el cortacircuitos?** Las secadoras eléctricas utilizan 2 fusibles o disyuntores domésticos. El tambor quizás rote pero sin calor. Reemplace el fusible o reposicione el cortacircuitos. Si el problema continúa, llame a un electricista.

### Sonidos raros

- **¿Ha estado la secadora sin uso por una temporada?** Si no se ha usado la secadora por una temporada, es posible que se escuche un sonido fuerte durante los primeros minutos de funcionamiento.
- **¿Hay una moneda, botón o sujetapapeles entre el tambor y la parte frontal o trasera de la secadora?** Revise los bordes frontales y traseros del tambor para verificar si hay objetos pequeños. Limpie los bolsillos antes del lavado.
- **¿Están las cuatro patas instaladas y está la secadora nivelada de frente hacia atrás y de lado a lado?** La secadora puede vibrar si no está instalada adecuadamente. Vea las Instrucciones de instalación.
- **¿Las prendas están enredadas o hechas un ovillo?** Si la carga está hecha un ovillo, rebotará haciendo vibrar a la secadora. Separe los artículos de la carga y reinicie la secadora.

### El temporizador no parece avanzar

- **¿Se ha ajustado la secadora en secado programado o al aire (Timed or Air Dry)?**  
El temporizador se mueve lenta y continuamente durante el ajuste de tiempo.
- **¿Se ha ajustado la secadora a Secado automático (Automatic Drying)?**  
El temporizador solamente se mueve cuando las prendas están casi secas.

## Resultados de la secadora

Las prendas no se secan satisfactoriamente, los tiempos de secado son demasiado largos, o la carga está demasiado caliente

- **¿Está el filtro de pelusa obstruido con pelusa?** El filtro de pelusa debe ser limpiado antes de cada carga.

## ! ADVERTENCIA



### Peligro de Incendio

Use un ducto de escape de metal pesado.

No use un ducto de escape de plástico.

No use un ducto de escape de aluminio.

No seguir estas instrucciones puede ocasionar la muerte o incendio.

- **¿Está obstruido con pelusa el ducto de escape o la capota de ventilación exterior, restringiendo el flujo del aire?** Ponga a funcionar la secadora unos 5 a 10 minutos. Ponga su mano debajo de la capota de ventilación exterior, para verificar el movimiento del aire. Si no lo siente, limpie la pelusa del sistema de ventilación o reemplace el ducto de escape con uno de metal pesado o de metal flexible. Vea las Instrucciones de instalación.
- **¿Están las hojas del suavizante de telas bloqueando la rejilla?** Use únicamente una hoja del suavizante de telas y úsela una sola vez.
- **¿Tiene el ducto de escape el largo correcto?** Revise el ducto de escape para verificar que no sea demasiado largo o no dé demasiadas vueltas. Una ventilación larga aumentará el tiempo de secado. Vea las Instrucciones de instalación.
- **¿Es el diámetro del ducto de escape del tamaño correcto?** Use un material de ventilación de 4" (10,2 cm) de diámetro.

## **⚠ ADVERTENCIA**



### **Peligro de Explosión**

**Mantenga los materiales y vapores inflamables, como la gasolina, lejos de la secadora.**

**Coloque la secadora a un mínimo de 46 cm sobre el piso para la instalación en un garaje.**

**No seguir estas instrucciones puede ocasionar la muerte, explosión o incendio.**

- **Está la secadora ubicada en una habitación cuya temperatura está debajo de 7°C (45°F)?** El funcionamiento apropiado de los ciclos de la secadora requiere temperaturas superiores a 7°C (45°F).
- **¿Está la secadora ubicada en un armario?** Las puertas del armario deben tener aberturas de ventilación en la parte superior e inferior de la puerta. La parte lateral y anterior de la secadora necesitan un mínimo de 1" (2,5 cm) de espacio y la parte trasera necesita 5½" (14 cm). Vea las Instrucciones de instalación.
- **¿Se ha seleccionado un ciclo de secado al aire?** Seleccione el ciclo correcto para el tipo de prendas que se estén secando.
- **¿Está la carga demasiado voluminosa y pesada para secarse con rapidez?** Separe la carga de modo que pueda rotar libremente.

### **Pelusa en la ropa**

- **¿Está obstruido el filtro de pelusa?** El filtro de pelusa debe ser limpiado antes de cada carga.

### **Manchas en la carga o en el tambor**

- **¿Se ha empleado adecuadamente el suavizante de telas?** Agregue hojas de suavizante de telas al comienzo del ciclo. Las hojas del suavizante de telas que se agregan a una carga parcialmente seca pueden manchar las prendas.  
  
Las manchas en el tambor están causadas por los tintes en las prendas (habitualmente los pantalones de mezclilla). Esto no se transferirá a otras prendas.

### **Ropa arrugada**

- **¿Se ha sacado la ropa de la secadora al final del ciclo?**
- **¿Se ha sobrecargado la secadora?** Seque cargas más pequeñas que puedan rotar con libertad.

### **Olores**

- **¿Ha estado pintando, tiñendo o barnizando recientemente el área donde se encuentra la secadora?** De ser así, ventile el área. Cuando los olores o humos se hayan esfumado del área, vuelva a lavar y secar la ropa.
- **¿Se está usando la secadora por primera vez?** El nuevo elemento calentador eléctrico puede emitir un olor. El olor desaparecerá después del primer ciclo.

# Get it fixed, at your home or ours!

## Your Home

For repair—in **your home**—of **all** major brand appliances, lawn and garden equipment, or heating and cooling systems, **no matter who made it, no matter who sold it!**

For the replacement parts, accessories and owner's manuals that you need to do-it-yourself.

For Sears professional installation of home appliances and items like garage door openers and water heaters.

**1-800-4-MY-HOME®** (1-800-469-4663)

Call anytime, day or night (U.S.A. and Canada)

[www.sears.com](http://www.sears.com)    [www.sears.ca](http://www.sears.ca)

## Our Home

For repair of carry-in items like vacuums, lawn equipment, and electronics, call or go on-line for the location of your nearest **Sears Parts & Repair Center.**

**1-800-488-1222**

Call anytime, day or night (U.S.A. only)

[www.sears.com](http://www.sears.com)

To purchase a protection agreement (U.S.A.) or maintenance agreement (Canada) on a product serviced by Sears:

**1-800-827-6655** (U.S.A.)

**1-800-361-6665** (Canada)

Para pedir servicio de reparación a domicilio, y para ordenar piezas:

**1-888-SU-HOGAR®**

(1-888-784-6427)

Au Canada pour service en français:

**1-800-LE-FOYER<sup>MC</sup>**

(1-800-533-6937)

[www.sears.ca](http://www.sears.ca)

The Sears logo is centered at the bottom of the page. It features the word "Sears" in a bold, serif font. A horizontal line is positioned below the letters "e" and "a".