



---

# ELECTRONIC ELECTRIC DRYER

## Use & Care Guide

For questions about features, operation/performance, parts, accessories or service, call: 1-800-253-1301 or visit our website at... [www.whirlpool.com](http://www.whirlpool.com)

---

Table of Contents..... 2

---

---

# TABLE OF CONTENTS

<b>DRYER SAFETY</b> .....	<b>3</b>
<b>INSTALLATION INSTRUCTIONS</b> .....	<b>4</b>
Tools and Parts.....	4
Optional Pedestal.....	4
Location Requirements.....	5
Electrical Requirements.....	7
Electrical Connection.....	8
Venting Requirements.....	13
Plan Vent System.....	14
Install Vent System.....	15
Install Leveling Legs.....	15
Connect Vent.....	16
Level Dryer.....	16
Reverse Door Swing.....	16
Complete Installation.....	18
<b>DRYER USE</b> .....	<b>19</b>
Starting Your Dryer.....	19
Stopping or Restarting Your Dryer.....	20
Lock Controls.....	20
Drying and Cycle Tips.....	20
Status Lights.....	21
Cycles.....	21
Additional Features.....	22
Changing Cycles, Options and Modifiers.....	23
Drying Rack.....	23
<b>DRYER CARE</b> .....	<b>24</b>
Cleaning the Dryer Location.....	24
Cleaning the Lint Screen.....	24
Cleaning the Dryer Interior.....	24
Removing Accumulated Lint.....	25
Vacation and Moving Care.....	25
<b>TROUBLESHOOTING</b> .....	<b>25</b>
<b>ASSISTANCE OR SERVICE</b> .....	<b>27</b>
<b>WARRANTY</b> .....	<b>28</b>



# DRYER SAFETY

## Your safety and the safety of others are very important.

We have provided many important safety messages in this manual and on your appliance. Always read and obey all safety messages.



This is the safety alert symbol.

This symbol alerts you to potential hazards that can kill or hurt you and others.

All safety messages will follow the safety alert symbol and either the word “DANGER” or “WARNING.”

These words mean:

**⚠ DANGER**

You can be killed or seriously injured if you don't immediately follow instructions.

**⚠ WARNING**

You can be killed or seriously injured if you don't follow instructions.

All safety messages will tell you what the potential hazard is, tell you how to reduce the chance of injury, and tell you what can happen if the instructions are not followed.

## IMPORTANT SAFETY INSTRUCTIONS

**WARNING:** To reduce the risk of fire, electric shock, or injury to persons when using the dryer, follow basic precautions, including the following:

- Read all instructions before using the dryer.
- Do not place items exposed to cooking oils in your dryer. Items contaminated with cooking oils may contribute to a chemical reaction that could cause a load to catch fire.
- Do not dry articles that have been previously cleaned in, washed in, soaked in, or spotted with gasoline, dry-cleaning solvents, or other flammable or explosive substances as they give off vapors that could ignite or explode.
- Do not allow children to play on or in the dryer. Close supervision of children is necessary when the dryer is used near children.
- Before the dryer is removed from service or discarded, remove the door to the drying compartment.
- Do not reach into the dryer if the drum is moving.
- Do not install or store the dryer where it will be exposed to the weather.
- Do not tamper with controls.
- Do not repair or replace any part of the dryer or attempt any servicing unless specifically recommended in this Use and Care Guide or in published user-repair instructions that you understand and have the skills to carry out.
- Do not use fabric softeners or products to eliminate static unless recommended by the manufacturer of the fabric softener or product.
- Do not use heat to dry articles containing foam rubber or similarly textured rubber-like materials.
- Clean lint screen before or after each load.
- Keep area around the exhaust opening and adjacent surrounding areas free from the accumulation of lint, dust, and dirt.
- The interior of the dryer and exhaust vent should be cleaned periodically by qualified service personnel.
- See installation instructions for grounding requirements.

**SAVE THESE INSTRUCTIONS**

# INSTALLATION INSTRUCTIONS

## Tools and Parts

Gather the required tools and parts before starting installation. Read and follow the instructions provided with any tools listed here.

- Flat-blade screwdriver
- #2 Phillips screwdriver
- Adjustable wrench that opens to 1" (2.5 cm) or hex-head socket wrench (for adjusting dryer feet)
- Wire stripper (direct wire installations)
- Level
- Vent clamps
- Caulking gun and compound (for installing new exhaust vent)
- Tin snips (new vent installations)
- ¼" nut driver or socket wrench (recommended)
- Tape measure

## Parts supplied

Remove parts packages from dryer drum. Check that all parts are included.

- Parts package.



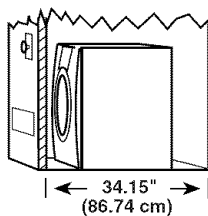
4 Leveling legs

**NOTE:** Do not use leveling legs if installing the dryer on a pedestal.

## Parts needed

Check local codes. Check existing electrical supply and venting. See "Electrical Requirements" and "Venting Requirements" before purchasing parts.

- For close-clearance installations between 28.65" (72.77 cm) and 34.15" (86.74 cm), see "Plan Vent System" section for venting requirements.

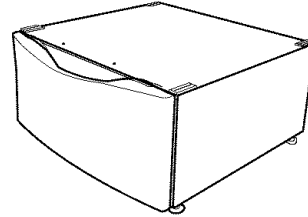


Mobile home installations require metal exhaust system hardware available for purchase from the dealer from whom you purchased your dryer. For further information, please refer to the "Assistance or Service" section of this manual.

## Optional Pedestal

Are you placing the dryer on a pedestal? You have the option of purchasing pedestals of different heights separately for this dryer. You may select a 10" (25.4 cm) pedestal or a 15.5" (39.4 cm) pedestal with a shelf and bin dividers. These pedestals will add to the total height of the unit for a total height of approximately 46" (116.8 cm) or 51.5" (130.8 cm).

For a garage installation, you will need to place the dryer at least 18" (46 cm) above the floor.



Optional pedestal (15.5" [39.4 cm] model shown)

To order, call the dealer from whom you purchased your dryer or refer to the "Assistance or Service" section of this manual.

Pedestal Height	Color	Part Number
10" (25.4 cm)	White	WHP1000SQ
15.5" (39.4 cm) with shelf and bin dividers	White	WHP1500SQ

## Drying Rack

To order a drying rack, call the dealer from whom you purchased your dryer or refer to the "Assistance or Service" section of this manual. Ask for Part Number 8563738. For more information, see "Drying Rack."

## Stack Kit

Are you planning to stack your DUET SPORT™ washer and dryer? To do so, you will need to purchase a Stack Kit.

To order, call the dealer from whom you purchased your dryer or refer to the "Assistance or Service" section of this manual. Ask for Part Number 8572546.

## Location Requirements

### ⚠ WARNING



#### Explosion Hazard

Keep flammable materials and vapors, such as gasoline, away from dryer.

Place dryer at least 18 inches (46 cm) above the floor for a garage installation.

Failure to do so can result in death, explosion, or fire.

#### You will need

- A location that allows for proper exhaust installation. See "Venting Requirements."
- A separate 30-amp circuit.
- If you are using a power cord, a grounded electrical outlet located within 2 ft (61 cm) of either side of the dryer. See "Electrical Requirements."
- A sturdy floor to support the total dryer weight of 127 lbs (57.6 kg). The combined weight of a companion appliance should also be considered.
- A level floor with a maximum slope of 1" (2.5 cm) under entire dryer. (If slope is greater than 1" [2.5 cm], install Extended Dryer Feet Kit, Part No. 279810.) Clothes may not tumble properly and automatic sensor cycles may not operate correctly if dryer is not level.
- For a garage installation, you will need to place the dryer at least 18" (46 cm) above the floor. If using a pedestal, you will need 18" (46 cm) to the bottom of the dryer.

Do not operate your dryer at temperatures below 45°F (7°C). At lower temperatures, the dryer might not shut off at the end of an automatic cycle. Drying times can be extended.

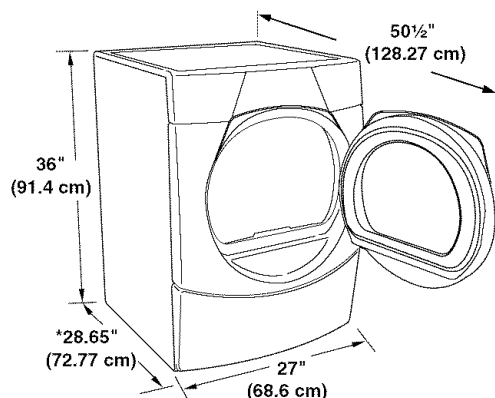
The dryer must not be installed or stored in an area where it will be exposed to water and/or weather.

Check code requirements. Some codes limit, or do not permit, installation of the dryer in garages, closets, mobile homes or sleeping quarters. Contact your local building inspector.

#### Installation clearances

The location must be large enough to allow the dryer door to open fully.

#### Dryer Dimensions



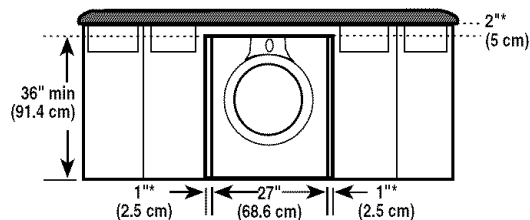
\*Most installations require a minimum 5" (12.7 cm) clearance behind the dryer for the exhaust vent with elbow. See "Venting Requirements."

#### Installation spacing for recessed area or closet installation

The following spacing dimensions are recommended for this dryer. This dryer has been tested for spacing of 0" (0 cm) clearance on the sides and rear. Recommended spacing should be considered for the following reasons:

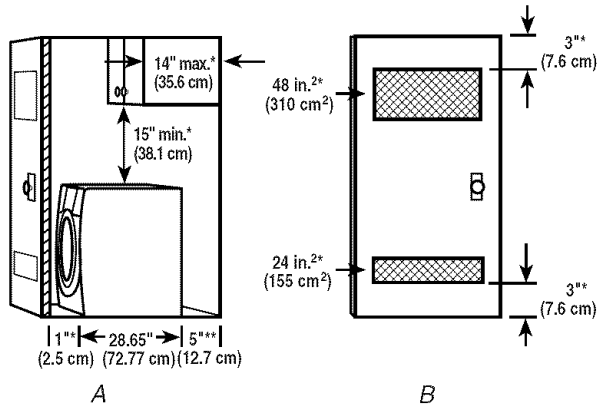
- Additional spacing should be considered for ease of installation and servicing.
- Additional clearances might be required for wall, door and floor moldings.
- Additional spacing should be considered on all sides of the dryer to reduce noise transfer.
- For closet installation, with a door, minimum ventilation openings in the top and bottom of the door are required. Louvered doors with equivalent ventilation openings are acceptable.
- Companion appliance spacing should also be considered.

#### Custom undercounter installation - Dryer only



\*Required spacing

**Closet installation - Dryer only**

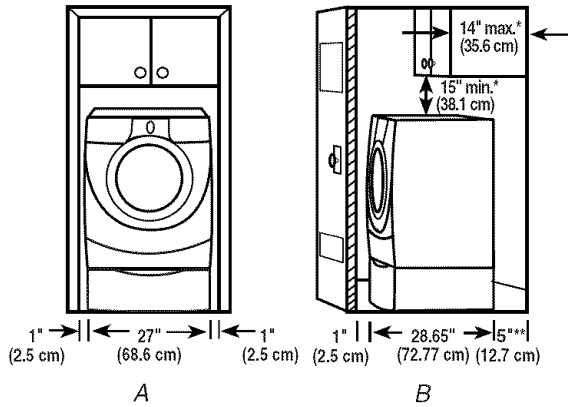


A. Side view - closet or confined area  
B. Closet door with vents

\*Required spacing

\*\*For side or bottom venting, 0" (0 cm) spacing is allowed.

**Recessed or closet installation - Dryer on pedestal**



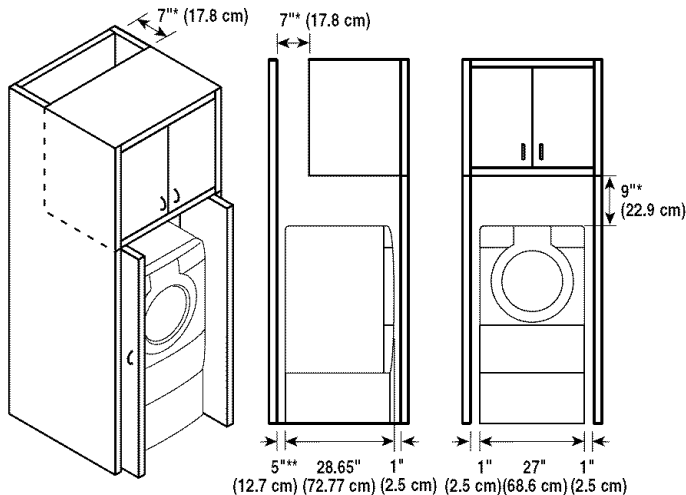
A. Recessed area  
B. Side view - closet or confined area

\*Required spacing

\*\*For side or bottom venting, 0" (0 cm) spacing is allowed.

**Installation spacing for cabinet installation**

- The dimensions shown are for the recommended spacing.
- For cabinet installation, with a door, minimum ventilation openings in the top of the cabinet are required.

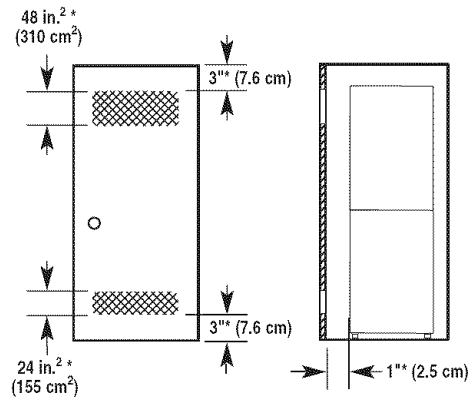


\*Required spacing

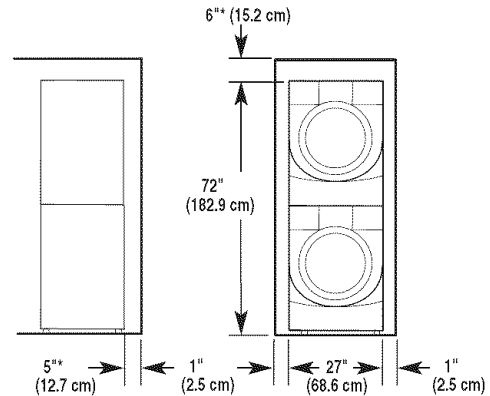
\*\*For side or bottom venting, 0" (0 cm) spacing is allowed.

**Recommended installation spacing for recessed or closet installation, with stacked washer and dryer**

The dimensions shown are for the recommended spacing.



\*Required spacing



\*Required spacing

**Mobile home - additional installation requirements**

This dryer is suitable for mobile home installations. The installation must conform to the Manufactured Home Construction and Safety Standard, Title 24 CFR, Part 3280 (formerly the Federal Standard for Mobile Home Construction and Safety, Title 24, HUD Part 280).

**Mobile home installations require:**

- Metal exhaust system hardware, which is available for purchase from your dealer.
- Special provisions must be made in mobile homes to introduce outside air into the dryer. The opening (such as a nearby window) should be at least twice as large as the dryer exhaust opening.

## Electrical Requirements

### It is your responsibility

- To contact a qualified electrical installer.
- To be sure that the electrical connection is adequate and in conformance with the National Electrical Code, ANSI/NFPA 70-latest edition and all local codes and ordinances.

The National Electric Code requires a 4-wire supply connection for homes built after 1996, dryer circuits involved in remodeling after 1996, and all mobile home installations.

A copy of the above code standards can be obtained from: National Fire Protection Association, One Batterymarch Park, Quincy, MA 02269.

- To supply the required 3 or 4 wire, single phase, 120/240 volt, 60 Hz., AC only electrical supply (or 3 or 4 wire, 120/208 volt electrical supply, if specified on the serial/rating plate) on a separate 30-amp circuit, fused on both sides of the line. A time-delay fuse or circuit breaker is recommended. Connect to an individual branch circuit. Do not have a fuse in the neutral or grounding circuit.
- Do not use an extension cord.
- If codes permit and a separate ground wire is used, it is recommended that a qualified electrician determine that the ground path is adequate.

### Electrical Connection

To properly install your dryer, you must determine the type of electrical connection you will be using and follow the instructions provided for it here.

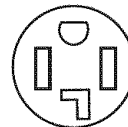
- If local codes do not permit the connection of a neutral ground wire to the neutral wire, see "Optional 3-wire connection" section.
- This dryer is manufactured ready to install with a 3-wire electrical supply connection. The neutral ground wire is permanently connected to the neutral conductor (white wire) within the dryer. If the dryer is installed with a 4-wire electrical supply connection, the neutral ground wire must be removed from the external ground conductor screw (green screw), and secured under the neutral terminal (center or white wire) of the terminal block. When the neutral ground wire is secured under the neutral terminal (center or white wire) of the terminal block, the dryer cabinet is isolated from the neutral conductor.
- A 4-wire power supply connection must be used when the appliance is installed in a location where grounding through the neutral conductor is prohibited. Grounding through the neutral is prohibited for (1) new branch-circuit installations, (2) mobile homes, (3) recreational vehicles, and (4) areas where local codes prohibit grounding through the neutral conductors.

### If using a power supply cord:

Use a UL listed power supply cord kit marked for use with clothes dryers. The kit should contain:

- A UL listed 30-amp power supply cord, rated 120/240 volt minimum. The cord should be type SRD or SRDT and be at least 4 ft (1.22 m) long. The wires that connect to the dryer must end in ring terminals or spade terminals with upturned ends.
- A UL listed strain relief.

### If your outlet looks like this:



4-wire receptacle (14-30R)

Then choose a 4-wire power supply cord with ring or spade terminals and UL listed strain relief. The 4-wire power supply cord, at least 4 ft (1.22 m) long, must have four 10-gauge copper wires and match a 4-wire receptacle of NEMA Type 14-30R. The ground wire (ground conductor) may be either green or bare. The neutral conductor must be identified by a white cover.

### If your outlet looks like this:



3-wire receptacle (10-30R)

Then choose a 3-wire power supply cord with ring or spade terminals and UL listed strain relief. The 3-wire power supply cord, at least 4 ft (1.22 m) long, must have three 10-gauge copper wires and match a 3-wire receptacle of NEMA Type 10-30R.

### If connecting by direct wire:

Power supply cable must match power supply (4-wire or 3-wire) and be:

- Flexible armored cable or nonmetallic sheathed copper cable (with ground wire), protected with flexible metallic conduit. All current-carrying wires must be insulated.
- 10-gauge solid copper wire (do not use aluminum).
- At least 5 ft (1.52 m) long.

## GROUNDING INSTRUCTIONS

- For a grounded, cord-connected dryer:  
This dryer must be grounded. In the event of malfunction or breakdown, grounding will reduce the risk of electric shock by providing a path of least resistance for electric current. This dryer uses a cord having an equipment-grounding conductor and a grounding plug. The plug must be plugged into an appropriate outlet that is properly installed and grounded in accordance with all local codes and ordinances.
- For a permanently connected dryer:  
This dryer must be connected to a grounded metal, permanent wiring system, or an equipment-grounding conductor must be run with the circuit conductors and connected to the equipment-grounding terminal or lead on the dryer.

**WARNING:** Improper connection of the equipment-grounding conductor can result in a risk of electric shock. Check with a qualified electrician or service representative or personnel if you are in doubt as to whether the dryer is properly grounded. Do not modify the plug on the power supply cord: if it will not fit the outlet, have a proper outlet installed by a qualified electrician.

## SAVE THESE INSTRUCTIONS

**Power Supply Cord**

**⚠ WARNING**



**Fire Hazard**

- Use a new UL listed 30 amp power supply cord.
- Use a UL listed strain relief.
- Disconnect power before making electrical connections.
- Connect neutral wire (white or center wire) to center terminal (silver).
- Ground wire (green or bare wire) must be connected to green ground connector.
- Connect remaining 2 supply wires to remaining 2 terminals (gold).
- Securely tighten all electrical connections.
- Failure to do so can result in death, fire, or electrical shock.

**Direct Wire**

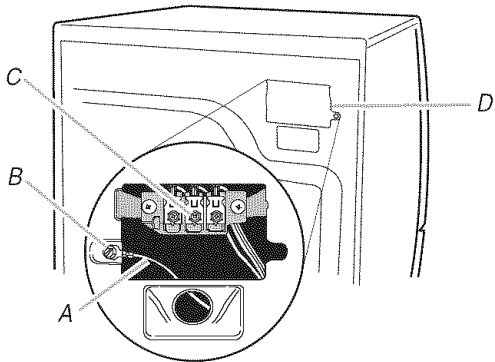
**⚠ WARNING**



**Fire Hazard**

- Use 10 gauge solid copper wire.
- Use a UL listed strain relief.
- Disconnect power before making electrical connections.
- Connect neutral wire (white or center wire) to center terminal (silver).
- Ground wire (green or bare wire) must be connected to green ground connector.
- Connect remaining 2 supply wires to remaining 2 terminals (gold).
- Securely tighten all electrical connections.
- Failure to do so can result in death, fire, or electrical shock.

1. Disconnect power.
2. Remove the hold-down screw and terminal block cover.

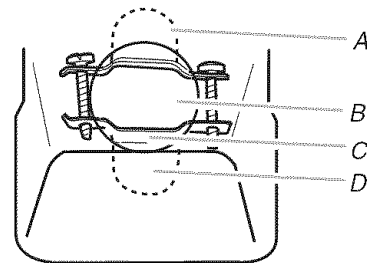


- A. Neutral ground wire
- B. External ground conductor screw
- C. Center, silver-colored terminal block screw
- D. Terminal block cover and hold-down screw

3. Install strain relief.

**Style 1: Power supply cord strain relief**

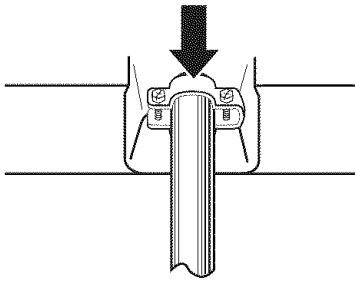
- Remove the screws from a 3/4" (1.9 cm) UL listed strain relief (UL marking on strain relief). Put the tabs of the two clamp sections into the hole below the terminal block opening so that one tab is pointing up and the other is pointing down, and hold in place. Tighten strain relief screws just enough to hold the two clamp sections together.



- A. Strain relief tab pointing up
- B. Hole below terminal block opening
- C. Clamp section
- D. Strain relief tab pointing down

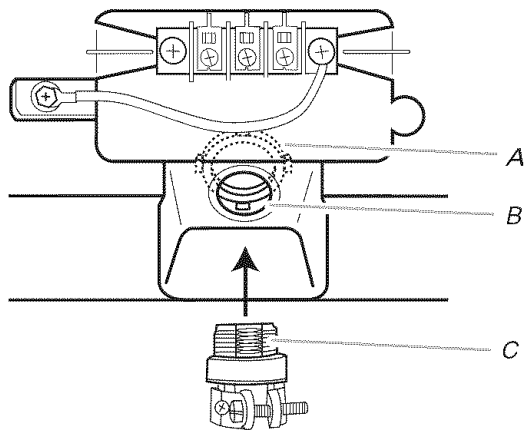


- Put power supply cord through the strain relief. Be sure that the wire insulation on the power supply cord is inside the strain relief. The strain relief should have a tight fit with the dryer cabinet and be in a horizontal position. Do not further tighten strain relief screws at this point.



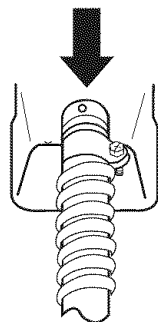
### Style 2: Direct wire strain relief

- Unscrew the removable conduit connector and any screws from a 3/4" (1.9 cm) UL listed strain relief (UL marking on strain relief). Put the threaded section of the strain relief through the hole below the terminal block opening. Reaching inside the terminal block opening, screw the removable conduit connector onto the strain relief threads.



A. Removable conduit connector  
B. Hole below terminal block opening  
C. Strain relief threads

- Put direct wire cable through the strain relief. The strain relief should have a tight fit with the dryer cabinet and be in a horizontal position. Tighten strain relief screw against the direct wire cable.


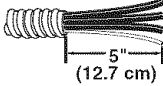

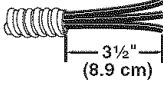


- Now complete installation following instructions for your type of electrical connection:

**4-wire** (recommended)

**3-wire** (if 4-wire is not available)

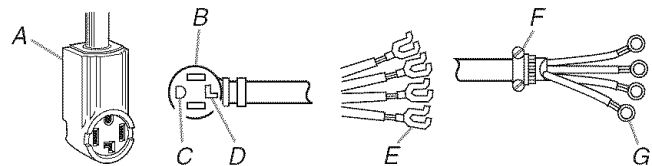
### Electrical Connection Options

If your home has:	And you will be connecting to:	Go to Section
4-wire receptacle (NEMA Type 14-30R) 	A UL listed, 120/240-volt minimum, 30-amp, dryer power supply cord*	4-wire connection: Power supply cord
4-wire direct 	A fused disconnect or circuit breaker box*	4-wire connection: Direct Wire
3-wire receptacle (NEMA type 10-30R) 	A UL listed, 120/240-volt minimum, 30-amp, dryer power supply cord*	3-wire connection: Power supply cord
3-wire direct 	A fused disconnect or circuit breaker box*	3-wire connection: Direct Wire

\*If local codes do not permit the connection of a cabinet-ground conductor to the neutral wire, go to "Optional 3-wire connection" section.

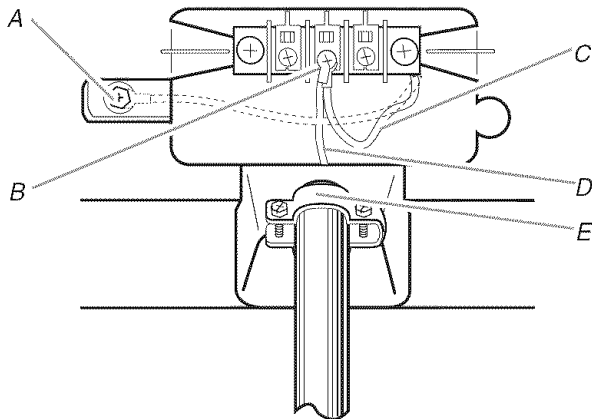
### 4-wire connection: Power supply cord

**IMPORTANT:** A 4-wire connection is required for mobile homes and where local codes do not permit the use of 3-wire connections.



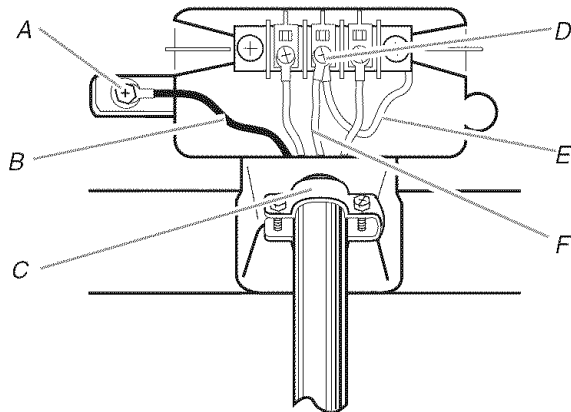
A. 4-wire receptacle (NEMA type 14-30R)  
B. 4-prong plug  
C. Ground prong  
D. Neutral prong  
E. Spade terminals with upturned ends  
F. 3/4" (1.9 cm) UL listed strain relief  
G. Ring terminals

1. Remove center silver-colored terminal block screw.
2. Remove neutral ground wire from external ground conductor screw. Connect neutral ground wire and the neutral wire (white or center wire) of power supply cord under center, silver-colored terminal block screw. Tighten screw.



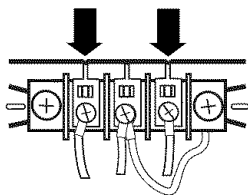
- A. External ground conductor screw - Dotted line shows position of NEUTRAL ground wire before being moved to center silver-colored terminal block screw  
 B. Center silver-colored terminal block screw  
 C. Neutral ground wire  
 D. Neutral wire (white or center wire)  
 E. 3/4" (1.9 cm) UL listed strain relief

3. Connect ground wire (green or bare) of power supply cord to external ground conductor screw. Tighten screw.



- A. External ground conductor screw  
 B. Ground wire (green or bare) of power supply cord  
 C. 3/4" (1.9 cm) UL listed strain relief  
 D. Center silver-colored terminal block screw  
 E. Neutral ground wire  
 F. Neutral wire (white or center wire)

4. Connect the other wires to outer terminal block screws. Tighten screws.



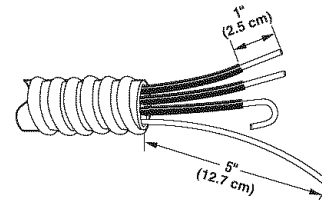
5. Tighten strain relief screws.
6. Insert tab of terminal block cover into slot of dryer rear panel. Secure cover with hold-down screw.
7. You have completed your electrical connection. Now go to "Venting Requirements."

#### 4-wire connection: Direct wire

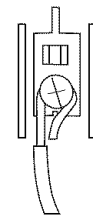
**IMPORTANT:** A 4-wire connection is required for mobile homes and where local codes do not permit the use of 3-wire connections.

Direct wire cable must have 5 ft (1.52 m) of extra length so dryer can be moved if needed.

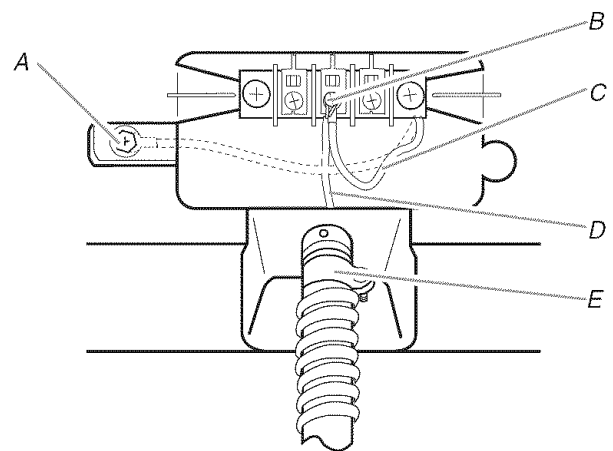
Strip 5" (12.7 cm) of outer covering from end of cable, leaving bare ground wire at 5" (12.7 cm). Cut 1 1/2" (3.8 cm) from 3 remaining wires. Strip insulation back 1" (2.5 cm). Shape ends of wires into a hook shape.



When connecting to the terminal block, place the hooked end of the wire under the screw of the terminal block (hook facing right), squeeze hooked end together and tighten screw, as shown.

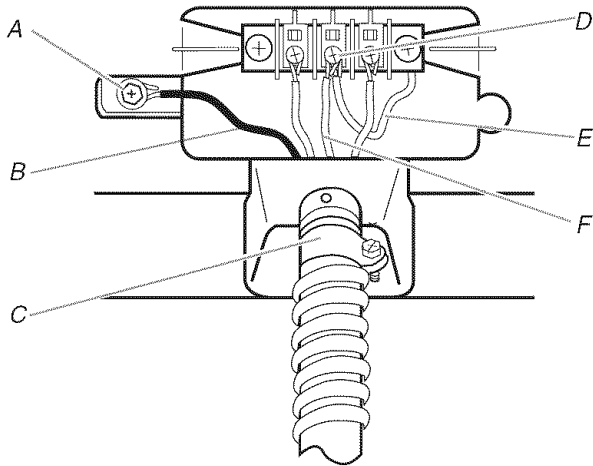


1. Remove center silver-colored terminal block screw.
2. Remove neutral ground wire from external ground conductor screw. Connect neutral ground wire and place the hooked end (hook facing right) of the neutral wire (white or center wire) of direct wire cable under the center screw of the terminal block. Squeeze hooked ends together. Tighten screw.



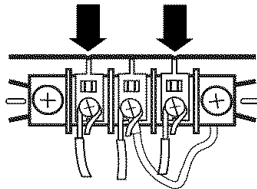
- A. External ground conductor screw - Dotted line shows position of NEUTRAL ground wire before being moved to center silver-colored terminal block screw  
 B. Center silver-colored terminal block screw  
 C. Neutral ground wire  
 D. Neutral wire (white or center wire)  
 E. 3/4" (1.9 cm) UL listed strain relief

3. Connect ground wire (green or bare) of direct wire cable to external ground conductor screw. Tighten screw.



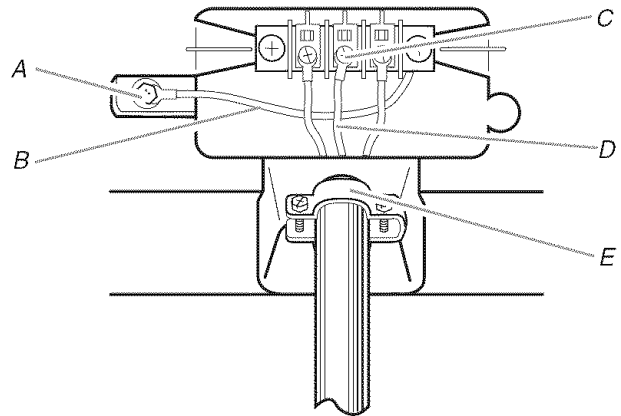
A. External ground conductor screw  
 B. Ground wire (green or bare) of power supply cable  
 C. 3/4" (1.9 cm) UL listed strain relief  
 D. Center silver-colored terminal block screw  
 E. Neutral ground wire  
 F. Neutral wire (white or center wire)

4. Place the hooked ends of the other direct wire cable wires under the outer terminal block screws (hooks facing right). Squeeze hooked ends together. Tighten screws.



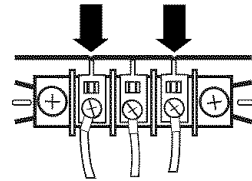
5. Tighten strain relief screw.
6. Insert tab of terminal block cover into slot of dryer rear panel. Secure cover with hold-down screw.
7. You have completed your electrical connection. Now go to "Venting Requirements."

1. Loosen or remove center silver-colored terminal block screw.
2. Connect neutral wire (white or center wire) of power supply cord to the center, silver-colored terminal screw of the terminal block. Tighten screw.



A. External ground conductor screw  
 B. Neutral ground wire  
 C. Center silver-colored terminal block screw  
 D. Neutral wire (white or center wire)  
 E. 3/4" (1.9 cm) UL listed strain relief

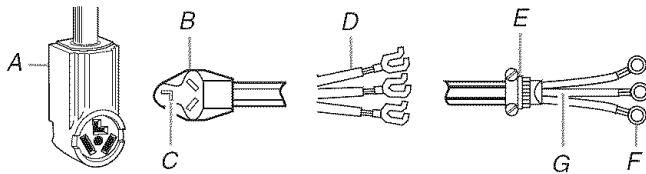
3. Connect the other wires to outer terminal block screws. Tighten screws.



4. Tighten strain relief screws.
5. Insert tab of terminal block cover into slot of dryer rear panel. Secure cover with hold-down screw.
6. You have completed your electrical connection. Now go to "Venting Requirements."

### 3-wire connection: Power supply cord

Use where local codes permit connecting cabinet-ground conductor to neutral wire.



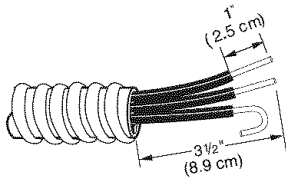
A. 3-wire receptacle (NEMA type 10-30R)  
 B. 3-wire plug  
 C. Neutral prong  
 D. Spade terminals with up turned ends  
 E. 3/4" (1.9 cm) UL listed strain relief  
 F. Ring terminals  
 G. Neutral (white or center wire)

### 3-wire connection: Direct wire

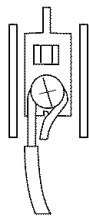
#### Use where local codes permit connecting cabinet-ground conductor to neutral wire.

Direct wire cable must have 5 ft (1.52 m) of extra length so dryer can be moved if needed.

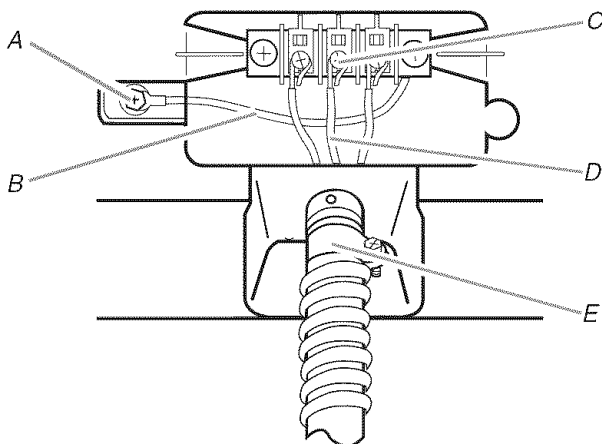
Strip  $3\frac{1}{2}$ " (8.9 cm) of outer covering from end of cable. Strip insulation back 1" (2.5 cm). If using 3-wire cable with ground wire, cut bare wire even with outer covering. Shape ends of wires into a hook shape.



When connecting to the terminal block, place the hooked end of the wire under the screw of the terminal block (hook facing right), squeeze hooked end together and tighten screw, as shown.

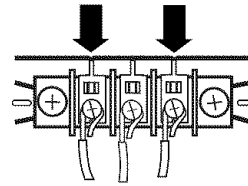


1. Loosen or remove center silver-colored terminal block screw.
2. Place the hooked end of the neutral wire (white or center wire) of direct wire cable under the center screw of terminal block (hook facing right). Squeeze hooked end together. Tighten screw.



- A. External ground conductor screw
- B. Neutral ground wire
- C. Center silver-colored terminal block screw
- D. Neutral wire (white or center wire)
- E.  $\frac{3}{4}$ " (1.9 cm) UL listed strain relief

3. Place the hooked ends of the other direct wire cable wires under the outer terminal block screws (hooks facing right). Squeeze hooked ends together. Tighten screws.

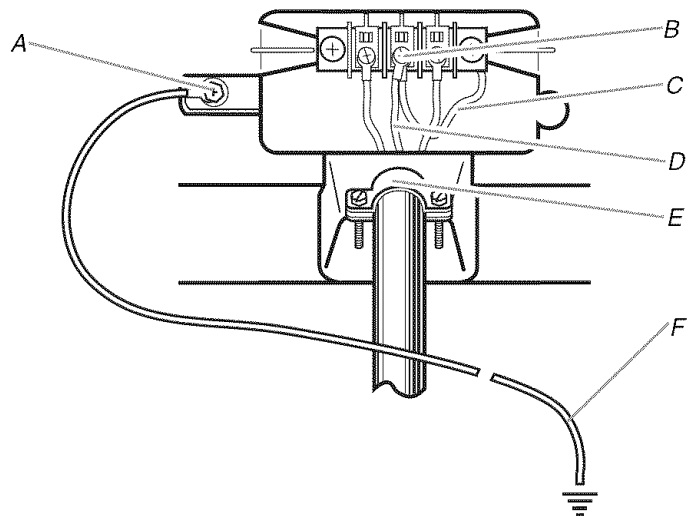


4. Tighten strain relief screw.
5. Insert tab of terminal block cover into slot of dryer rear panel. Secure cover with hold-down screw.
6. You have completed your electrical connection. Now go to "Venting Requirements."

### Optional 3-wire connection

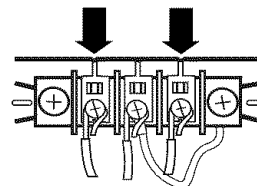
#### Use for direct wire or power supply cord where local codes do not permit connecting cabinet-ground conductor to neutral wire.

1. Remove center silver-colored terminal block screw.
2. Remove neutral ground wire from external ground conductor screw. Connect neutral ground wire and the neutral wire (white or center wire) of power supply cord/cable under center, silver-colored terminal block screw. Tighten screw.



- A. External ground conductor screw
- B. Center silver-colored terminal block screw
- C. Neutral ground wire
- D. Neutral wire (white or center wire)
- E.  $\frac{3}{4}$ " (1.9 cm) UL listed strain relief
- F. Grounding path determined by a qualified electrician

3. Connect the other wires to outer terminal block screws. Tighten screws.



4. Tighten strain relief screws.
5. Insert tab of terminal block cover into slot of dryer rear panel. Secure cover with hold-down screw.
6. Connect a separate copper ground wire from the external ground conductor screw to an adequate ground.

## Venting Requirements

### **WARNING**



#### Fire Hazard

Use a heavy metal vent.

Do not use a plastic vent.

Do not use a metal foil vent.

Failure to follow these instructions can result in death or fire.

**WARNING:** To reduce the risk of fire, this dryer MUST BE EXHAUSTED OUTDOORS.

**IMPORTANT:** Observe all governing codes and ordinances.

The dryer exhaust must not be connected into any gas vent, chimney, wall, ceiling or a concealed space of a building.

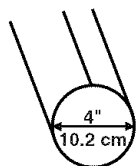
#### If using an existing vent system

- Clean lint from the entire length of the system and make sure exhaust hood is not plugged with lint.
- Replace any plastic or metal foil vent with rigid or flexible heavy metal vent.
- Review Vent system chart. Modify existing vent system if necessary to achieve the best drying performance.

#### If this is a new vent system

##### Vent material

- Use a heavy metal vent. Do not use plastic or metal foil vent.
- 4" (10.2 cm) heavy metal exhaust vent and clamps must be used. DURASAFE™ venting products are recommended.



4" (10.2 cm) heavy metal exhaust vent

DURASAFE™ vent products can be purchased from your dealer or by calling Whirlpool Parts and Accessories. For more information, see the "Assistance or Service" section of this manual.

##### Rigid metal vent

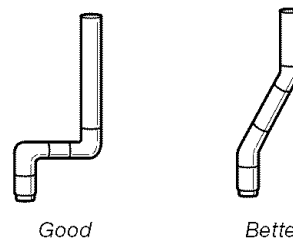
- For best drying performance, rigid metal vents are recommended.
- Rigid metal vent is recommended to avoid crushing and kinking.

##### Flexible metal vent

- Flexible metal vents are acceptable only if accessible for cleaning.
- Flexible metal vent must be fully extended and supported when the dryer is in its final location.
- Remove excess flexible metal vent to avoid sagging and kinking that may result in reduced airflow and poor performance.
- Do not install flexible metal vent in enclosed walls, ceilings or floors.

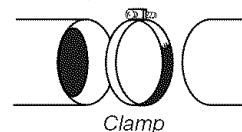
##### Elbows

45° elbows provide better airflow than 90° elbows.



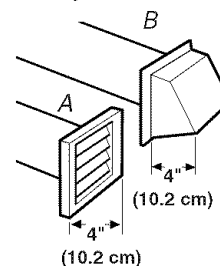
##### Clamps

- Use clamps to seal all joints.
- Exhaust vent must not be connected or secured with screws or other fastening devices that extend into the interior of the duct. Do not use duct tape.



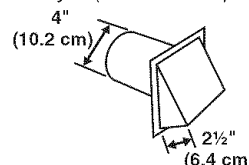
##### Exhaust

Recommended hood styles are shown here.



A. Louvered hood style  
B. Box hood style

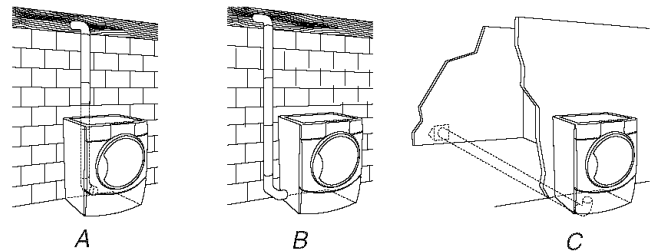
The angled hood style (shown here) is acceptable.



- An exhaust hood should cap the vent to keep rodents and insects from entering the home.
- Exhaust hood must be at least 12" (30.5 cm) from the ground or any object that may be in the path of the exhaust (such as flowers, rocks or bushes, snow line, etc.).
- Do not use an exhaust hood with a magnetic latch.

**Improper venting can cause moisture and lint to collect indoors, which may result in:**

- Moisture damage to woodwork, furniture, paint, wallpaper, carpets, etc.
- Housecleaning problems and health problems.



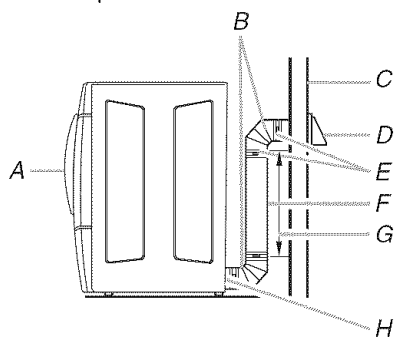
A. Standard rear offset exhaust installation  
 B. Left or right side exhaust installation  
 C. Bottom exhaust installation (not an option with pedestal installations)

## Plan Vent System

### Choose your exhaust installation type

#### Recommended exhaust installations

Typical installations vent the dryer from the rear of the dryer. Other installations are possible.



A. Dryer  
 B. Elbow  
 C. Wall  
 D. Exhaust hood  
 E. Clamps  
 F. Rigid metal or flexible metal vent  
 G. Vent length necessary to connect elbows  
 H. Exhaust outlet

#### Optional exhaust installations

**⚠ WARNING**

**Fire Hazard**

**Cover unused exhaust holes with the following kit:**  
 279818 (white)

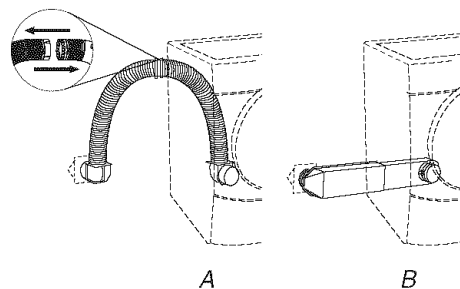
**Contact your local dealer.**

**Failure to follow these instructions can result in death, fire, electrical shock, or serious injury.**

This dryer can be converted to exhaust out the right side, left side, or through the bottom. Contact your local dealer to have the dryer converted.

#### Alternate installations for close clearances

Venting systems come in many varieties. Select the type best for your installation. Two close-clearance installations are shown. Refer to the manufacturer's instructions.



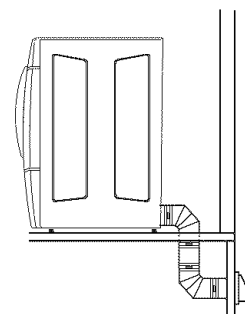
A. Over-the-top installation (also available with one offset elbow)  
 B. Periscope installation

**NOTE:** The following kits for close clearance alternate installations are available for purchase. Please see the "Assistance or Service" section of this manual to order.

- Over-the-Top Installation:  
 Part Number 4396028
- Periscope Installation (For use with dryer vent to wall vent mismatch):  
 Part Number 4396037 - 0" (0 cm) to 18" (45.72 cm) mismatch  
 Part Number 4396011 - 18" (45.72 cm) to 29" (73.66 cm) mismatch  
 Part Number 4396014 - 29" (73.66 cm) to 50" (127 cm) mismatch

#### Special provisions for mobile home installations

The exhaust vent must be securely fastened to a noncombustible portion of the mobile home structure and must not terminate beneath the mobile home. Terminate the exhaust vent outside.



## Determine vent path

- Select the route that will provide the straightest and most direct path outdoors.
- Plan the installation to use the fewest number of elbows and turns.
- When using elbows or making turns, allow as much room as possible.
- Bend vent gradually to avoid kinking.
- Use the fewest 90° turns possible.

## Determine vent length and elbows needed for best drying performance

- Use the following Vent system chart to determine type of vent material and hood combinations acceptable to use.

**NOTE:** Do not use vent runs longer than those specified in the Vent system chart. Exhaust systems longer than those specified will:

- Shorten the life of the dryer.
- Reduce performance, resulting in longer drying times and increased energy usage.

The Vent system chart provides venting requirements that will help to achieve the best drying performance.

### Vent system chart

**NOTE:** Side and bottom exhaust installations have a 90° turn inside the dryer. To determine maximum exhaust length, add one 90° turn to the chart.

Number of 90° turns or elbows	Type of vent	Box or louvered hoods	Angled hoods
0	Rigid metal	64 ft (20 m)	58 ft (17.7 m)
	Flexible metal	36 ft (11 m)	28 ft (8.5 m)
1	Rigid metal	54 ft (16.5 m)	48 ft (14.6 m)
	Flexible metal	31 ft (9.4 m)	23 ft (7 m)
2	Rigid metal	44 ft (13.4 m)	38 ft (11.6 m)
	Flexible metal	27 ft (8.2 m)	19 ft (5.8 m)
3	Rigid metal	35 ft (10.7 m)	29 ft (8.8 m)
	Flexible metal	25 ft (7.6 m)	17 ft (5.2 m)
4	Rigid metal	27 ft (8.2 m)	21 ft (6.4 m)
	Flexible metal	23 ft (7 m)	15 ft (4.6 m)

## Install Vent System

1. Install exhaust hood. Use caulking compound to seal exterior wall opening around exhaust hood.
2. Connect vent to exhaust hood. Vent must fit inside exhaust hood. Secure vent to exhaust hood with 4" (10.2 cm) clamp.
3. Run vent to dryer location. Use the straightest path possible. See "Determine vent path" in "Plan Vent System." Avoid 90° turns. Use clamps to seal all joints. Do not use duct tape, screws or other fastening devices that extend into the interior of the vent to secure vent.

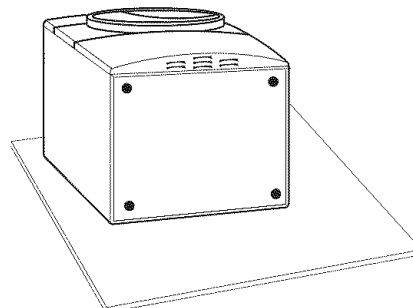
## Install Leveling Legs

### ⚠ WARNING

#### Excessive Weight Hazard

**Use two or more people to move and install dryer. Failure to do so can result in back or other injury.**

1. To protect the floor, use a large flat piece of cardboard from the dryer carton. Place cardboard under the entire back edge of the dryer.
2. Firmly grasp the body of the dryer (not the console panel). Gently lay the dryer on the cardboard. See illustration.



3. Examine the leveling legs. Find the diamond marking.



4. Screw the legs into the leg holes by hand. Use a wrench to finish turning the legs until the diamond marking is no longer visible.
5. Place a carton corner post from dryer packaging under each of the 2 dryer back corners. Stand the dryer up. Slide the dryer on the corner posts until it is close to its final location. Leave enough room to connect the exhaust vent.

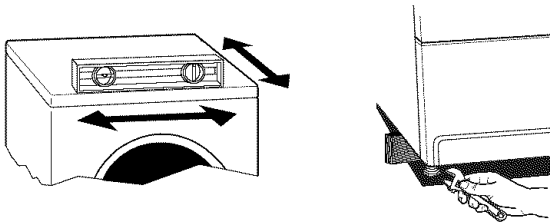
---

## Connect Vent

1. Using a 4" (10.2 cm) clamp, connect vent to exhaust outlet in dryer. If connecting to existing vent, make sure the vent is clean. The dryer vent must fit over the dryer exhaust outlet and inside the exhaust hood. Make sure the vent is secured to exhaust hood with a 4" (10.2 cm) clamp.
  2. Move dryer into its final location. Do not crush or kink vent.
  3. (On gas models) Make sure that there are no kinks in the flexible gas line.
  4. Once the exhaust vent connection is made, remove the corner posts and cardboard.
- 

## Level Dryer

Check the levelness of the dryer. Check levelness first side to side, then front to back.



If the dryer is not level, prop up the dryer using a wood block. Use a wrench to adjust the legs up or down and check again for levelness.

---

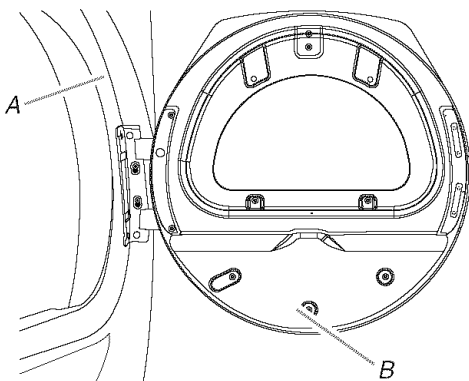
## Reverse Door Swing

You can change your door swing from a right-side opening to a left-side opening, if desired.

1. Place a towel or soft cloth on top of the dryer or work space to protect the surface.

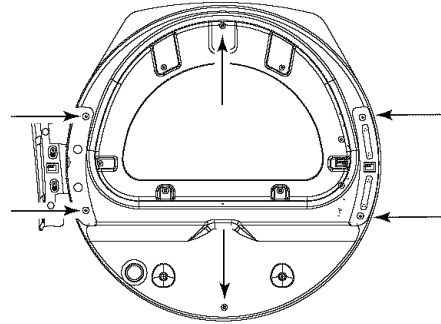
### Remove the door assembly

1. Remove the 4 screws that hold the door hinge on the front panel of the dryer.

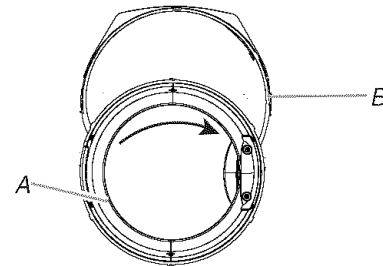


A. Dryer front panel  
B. Door assembly

2. Lay the door assembly on a flat, protected surface with the inside (inner door assembly) facing up.
3. Remove the 6 Phillips head screws to release the outer door assembly from the inner door assembly, as indicated below. See illustration. It is important that you remove only the 6 indicated screws.



4. Lift the inner door assembly off the outer door assembly.
5. Disengage locking tabs by rotating inner ring clockwise. See illustration.

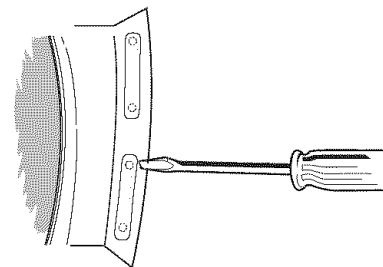


A. Inner ring  
B. Outer ring

6. Turn inner ring 180° and lock tabs into place.

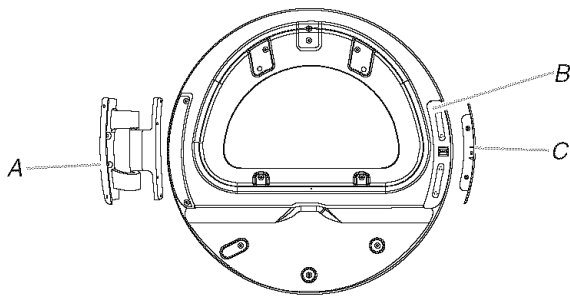
### Reverse hinge

1. Use a small flat-blade screwdriver to remove 2 plug strips from the inner door. Slide the head of the screwdriver under the plugs, being certain not to scratch the inner door surface. Lift up.



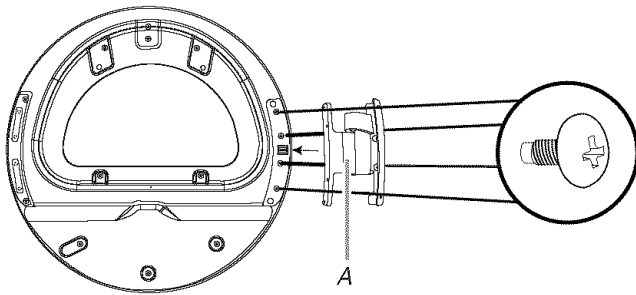


- Remove hinge cover.



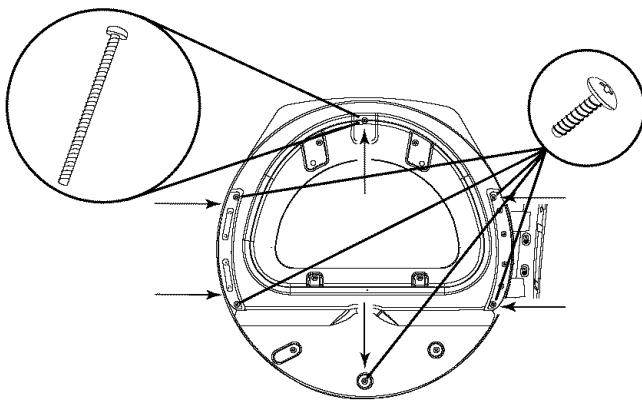
A. Door hinge  
B. Plug strips  
C. Hinge cover

- Remove the 4 screws that attach to the inner door hinge and move the hinge to the other side. Reinstall the 4 screws.



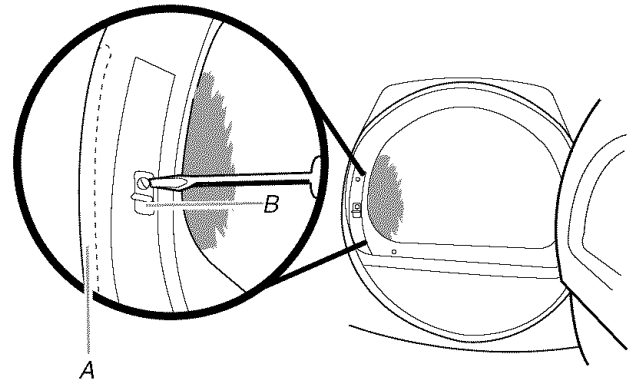
A. Door hinge

- Reinstall plug strips on opposite side of the inner door.
- Check for fingerprints on the glass. Clean glass if necessary.
- Place the inner door assembly inside the outer door assembly. To fit correctly, the inner door assembly edge fits completely inside the outer door assembly edge.
- Reassemble the inner and outer door assemblies with the 6 screws.



### Reverse the strike

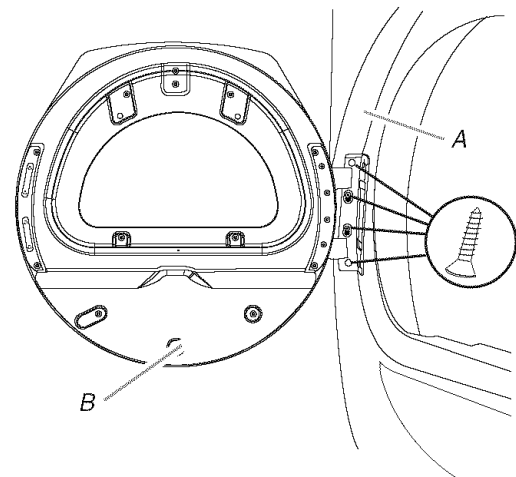
- Use a small flat-blade screwdriver to remove plug strip from the dryer door opening. Slide the head of the screwdriver under the plugs, being certain not to scratch the dryer surface. Lift up.
- Remove the strike.
- Insert strike and plug strip on the opposite side.



A. Plug strip (cannot be seen from this angle)  
B. Door strike

### Reinstall the door

- Reattach door to dryer front panel with the 4 screws.



A. Dryer front panel  
B. Door assembly

- Check for fingerprints on the glass. Clean the glass if necessary.
- Close door and check that it latches securely.

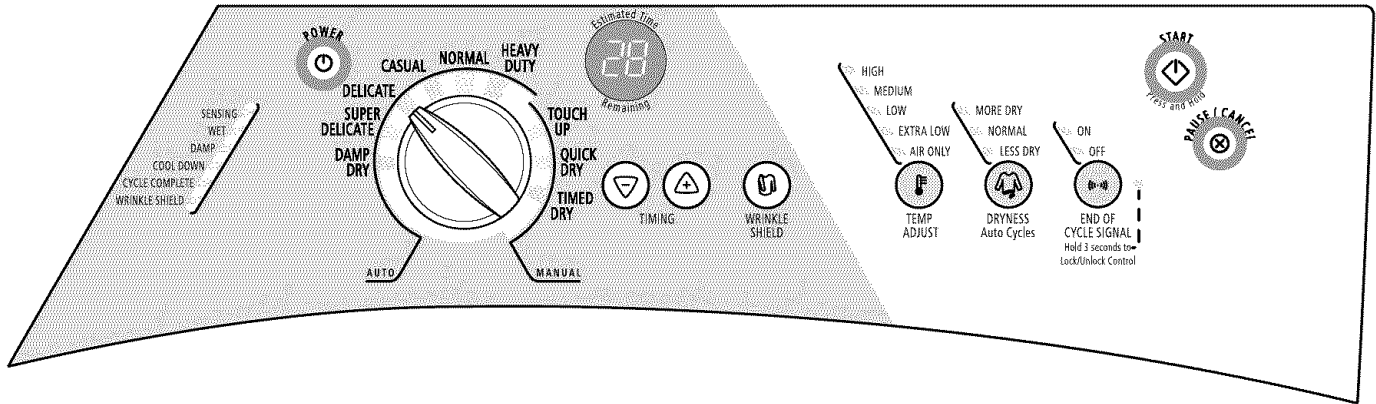
---

## Complete Installation

1. Check that all parts are now installed. If there is an extra part, go back through the steps to see which step was skipped.
2. Check that you have all of your tools.
3. Dispose of/recycle all packaging materials.
4. Check the dryer's final location. Be sure the vent is not crushed or kinked.
5. Check that the dryer is level. See "Level Dryer."
6. For power supply cord installation, plug into an outlet. For direct wire installation, reconnect power.
7. Remove the blue protective film on the console and any tape remaining on the dryer.
8. Read "Dryer Use" in the Dryer User Instructions.
9. Wipe the dryer drum interior thoroughly with a damp cloth to remove any dust.
10. Select a Timed Dry heated cycle, and start the dryer. Do not select the Air Only modifier.  
**If the dryer will not start, check the following:**
  - Controls are set in a running or "On" position.
  - Start button has been pushed firmly.
  - Dryer is plugged into an outlet and/or electrical supply is connected.
  - Household fuse is intact and tight, or circuit breaker has not tripped.
  - Dryer door is closed.
11. When the dryer has been running for 5 minutes, open the dryer door and feel for heat. If you feel heat, cancel cycle and close the door.  
**If you do not feel heat, turn off the dryer and check the following:**
  - There may be 2 household fuses or circuit breakers for the dryer. Check that both fuses are intact and tight, or that both circuit breakers have not tripped. If there is still no heat, contact a qualified technician.

**NOTE:** You may notice a burning odor when the dryer is first heated. This odor is common when the heating element is first used. The odor will go away.

# DRYER USE



## Starting Your Dryer

### ⚠ WARNING



#### Explosion Hazard

Keep flammable materials and vapors, such as gasoline, away from dryer.

Do not dry anything that has ever had anything flammable on it (even after washing).

Failure to follow these instructions can result in death, explosion, or fire.

### ⚠ WARNING



#### Fire Hazard

No washer can completely remove oil.

Do not dry anything that has ever had any type of oil on it (including cooking oils).

Items containing foam, rubber, or plastic must be dried on a clothesline or by using an Air Cycle.

Failure to follow these instructions can result in death or fire.

**WARNING:** To reduce the risk of fire, electric shock, or injury to persons, read the IMPORTANT SAFETY INSTRUCTIONS before operating this appliance.

Follow these basic steps to start your dryer. Please refer to specific sections of this manual for more detailed information.

1. Clean lint screen before each load. See "Cleaning the Lint Screen."
2. Place laundry into dryer and shut door.
3. Press POWER.
4. Point the dial to an Auto or Manual Cycle. The preset settings for Auto or Manual Cycles will illuminate. The estimated (auto cycle) or actual (manual) cycle time (in minutes) will show in the display.

**NOTE:** A preset time is displayed when an automatic cycle is selected. During the first few minutes of the drying process, the cycle time may automatically vary from the preset time based on the size and fabric type of the load. Toward the end of the drying process, the estimated time display will adjust again, showing the final drying time.

#### To use an Auto Cycle

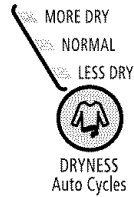
- Select an Auto Cycle. Auto cycles will default to the last dryness setting used for that cycle.
- Select DRYNESS to adjust how dry you want the load. The time displayed is an estimated length of the cycle based on the Dryness selected. As the cycle runs, the control senses the dryness of the load and adjusts the time automatically for the selected dryness level.

**NOTE:** Time is not adjustable for Automatic Cycles. Pressing the Timing Up or Down buttons will cause a triple beep, indicating that the time cannot be changed.

#### To make changes to the Dryness and/or Options during an Auto Cycle:

- Press PAUSE/CANCEL once.
- Adjust Dryness and/or Options.

**NOTE:** Dryness level selections can be made only while using Auto Cycles. Selecting More Dry, Normal or Less Dry automatically adjusts the sensed time needed.



Auto Dry cycles take the guesswork out of drying time and enhance fabric care. The amount of time that is displayed is the estimated time remaining in the cycle.

#### To use a Manual Cycle

- Point the dial to a Manual Cycle.
- Press TIMING Up or Down until the desired drying time is displayed. Tap TIMING Up or Down, and the time will change by 1-minute intervals. Press and hold TIMING Up or Down, and the time will change by 5-minute intervals.

**NOTE:** The Timing feature can be used only with Manual Cycles.



- Press TEMP ADJUST until the desired temperature illuminates.

#### To make changes to Time, Temperature, WRINKLE SHIELD™ feature and Cycle Signal during a Manual Cycle:

- Press PAUSE/CANCEL once.
  - Adjust the Time, Temperature, WRINKLE SHIELD™ feature and End of Cycle Signal.
5. (OPTIONAL STEP) If desired, select WRINKLE SHIELD™ feature. For more details, see “WRINKLE SHIELD™ Feature” in “Additional Features.”
  6. (OPTIONAL STEP) The Cycle Signal is preset to ON. If desired, you may turn the Cycle Signal OFF.
  7. Press and hold START for approximately 1 second until dryer starts. Be sure the door is closed.
    - If you do not press Start within 5 minutes of selecting a cycle, the dryer automatically shuts off.

## Stopping or Restarting Your Dryer

#### To pause/stop the dryer at any time

Open the door or press PAUSE/CANCEL once.

#### To restart the dryer

Close the door. Press and hold START until dryer starts.

#### To cancel your dryer at any time

Press PAUSE/CANCEL twice.

**NOTE:** Drying will continue from where the cycle was interrupted if you close the door and press Start within 5 minutes. If the cycle is interrupted for more than 5 minutes, the dryer will shut off. Select new cycle settings before restarting the dryer.

## Lock Controls

This feature allows you to lock your settings to avoid unintended use of the dryer. You can also use the control lock feature to avoid unintended cycle or option changes during dryer operation.

#### To enable the control lock feature:

Press and hold END OF CYCLE SIGNAL button for 3 seconds. The Lock/Unlock Control icon lights up, and a single beep tone is heard. To unlock, press and hold END OF CYCLE SIGNAL button for 3 seconds. The indicator light turns off.

## Drying and Cycle Tips

Select the correct cycle and dryness level or temperature for your load. If an Auto Cycle is running, the display shows the estimated cycle time when your dryer is automatically sensing the dryness level of your load. If a Manual Cycle is running, the display shows the exact number of minutes remaining in the cycle.

Cool Down tumbles the load without heat during the last few minutes of all cycles. Cool Down makes the loads easier to handle and reduces wrinkling. The length of the Cool Down depends on the load size and dryness level.

#### Drying tips

- Follow care label directions when they are available.
- If desired, add a fabric softener sheet. Follow package instructions.
- Remove the load from the dryer as soon as tumbling stops to reduce wrinkling. This is especially important for permanent press, knits and synthetic fabrics.
- Avoid drying heavy work clothes with lighter fabrics. This could cause overdrying of lighter fabrics, leading to increased shrinkage or wrinkling.

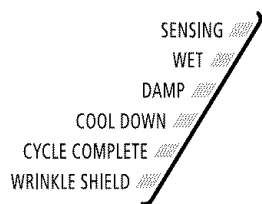
#### Cycle tips

- Dry most loads using the preset cycle settings.
- Refer to the Auto or Manual Preset Cycle Settings chart (in the “Cycles” section) for a guide to drying various loads.
  - Drying temperature and Dryness are preset when you choose an Auto Cycle. You can choose a different dryness level, depending on your load by pressing the DRYNESS button to select MORE DRY or LESS DRY.
  - If you wish to adjust the cycle length of a Manual Cycle, you must press TIMING Up or Down. Adjust the temperature of a Manual Cycle by pressing TEMP ADJUST until the desired temperature is selected.

**NOTE:** You cannot choose a Dryness Level with Manual Cycles.

## Status Lights

You may follow the progress of your dryer with the drying Status indicator lights.



### Sensing

When a cycle is first turned on, the SENSING light illuminates until a wet item is detected.

- In an Auto Cycle, if a wet item has not been detected within 5 minutes, the Sensing light will turn off.
- In a Manual Cycle, if a wet item is not detected within 5 minutes, the Sensing light will turn off and the Damp light will turn on.

### Wet

The WET light will turn on when a wet item has been detected in the dryer. The Wet light will remain on until:

- The damp dry point is reached in an Auto and Manual Cycle.

### Damp

The DAMP light indicates that the load has reached the damp dry level.

### Cool Down

The COOL DOWN light illuminates during the cool down part of the cycle. Laundry is cooling down for ease in handling.

### Cycle Complete

This light illuminates when a drying cycle is finished. If the WRINKLE SHIELD™ feature has been selected, the WRINKLE SHIELD™ feature indicator light will also be illuminated.

The Cycle Complete light turns off 1 hour after the end of a drying cycle (including the WRINKLE SHIELD™ cycle of 90 minutes), when Pause/Cancel is pressed, or when the door is opened.

### WRINKLE SHIELD™ Feature

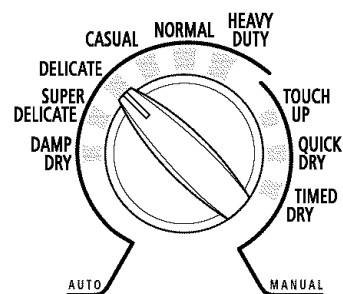
The WRINKLE SHIELD™ feature light illuminates when this option is selected. This indicator stays on with the Cycle Complete light.

### Indicator lights

Other indicator lights on the control panel show when Cycle, Temp Adjust, and End of Cycle settings are selected.

## Cycles

Select the drying cycle that matches the type of load you are drying. See Auto Preset or Manual Preset Cycle Settings charts.



Cycle control knob

### AUTO CYCLES

Auto Cycles allow you to match the cycle to the load you are drying. See the following Auto Preset Cycle Settings chart. Each cycle dries certain fabrics at the recommended temperature. A sensor detects the moisture in the load and automatically adjusts the drying time for optimal drying.

#### Heavy Duty

Use this cycle to get High heat for heavy fabrics such as cotton towels or bedspreads.

#### Normal

Use this cycle to get Medium heat for drying mixed loads and sturdy fabrics such as work clothes.

#### Casual

Use this cycle to get Low heat for drying no-iron fabrics such as sport shirts, casual business clothes and permanent press blends.

#### Delicate

Use this cycle to get Low heat for drying synthetic fabrics, washable knit fabrics and no-iron finishes.

#### Super Delicate

Use this cycle to get Extra Low heat to gently dry items such as lingerie, exercise wear or sheer curtains.

#### Damp Dry

Use this cycle to dry items to a damp level, or to dry items that do not require an entire drying cycle. Damp dry items such as jeans (to avoid stiffness) or cotton clothing (to make ironing easier). Choose a temperature setting based on the fabrics in your load. Items will have different levels of dampness. At the end of this cycle, clothes will be damp.

## Auto Preset Cycle Settings

Auto Cycles Load Type	Temp.	Time* (Minutes)
<b>HEAVY DUTY</b> Heavyweight, towels	High	40
<b>NORMAL</b> Mixed loads, corduroys, work clothes, sheets	Medium	35
<b>CASUAL</b> Permanent press, synthetics	Low	35
<b>DELICATE</b> Lightweight items, blouses, synthetics	Low	30
<b>SUPER DELICATE</b> Lingerie	Extra Low	25
<b>DAMP DRY</b> Clothes to come out suitable for ironing	Low	20

\*Estimated Time with Auto DRYNESS (Normal) setting.  
Time will vary depending on load type and load size.

## MANUAL CYCLES

Use Manual Cycles to select a specific amount of drying time and a drying temperature. When a Manual Cycle is selected, the ESTIMATED TIME REMAINING display shows the actual time remaining in your cycle. You can change the actual time in the cycle by pressing TIMING Up or Down.

### Timed Dry

Use this cycle to complete drying if items are still damp after an Auto Cycle. Timed Dry is also useful for drying heavyweight and bulky items such as bedspreads and work clothes.

### Quick Dry

Use this cycle for drying small loads or loads that need a short drying time.

### Touch Up

Use this setting to help smooth out wrinkles from such items as clothes packed in a suitcase or items wrinkled from being left in the dryer too long.

## Manual Preset Cycle Settings

Manual Cycles Load Type	Temp.	Default Time (Minutes)
<b>TIMED DRY</b> Heavyweight, bulky items, bedspreads, work clothes	High*	40
<b>QUICK DRY</b> Small loads	Medium	27
<b>TOUCH UP</b> Helps smooth out wrinkles	Medium	20

\*The Timed Dry cycle will default to the last temperature used for Timed Dry.

## Additional Features

### WRINKLE SHIELD™ Feature

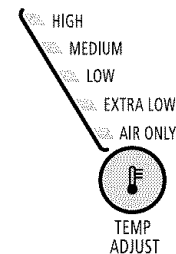
The WRINKLE SHIELD™ feature helps smooth out wrinkles that form when you cannot unload the dryer promptly at the end of a cycle. During this option, the dryer stops tumbling and then tumbles again for a brief period.

- Press the WRINKLE SHIELD™ feature to get up to 90 minutes of heat-free, periodic tumbling at the end of a cycle.
- During the WRINKLE SHIELD™ feature, you may continue the option after opening and closing the dryer door by pushing START.
- Cancel at any time by pressing the WRINKLE SHIELD™ feature button.

**NOTE:** If you do not select the WRINKLE SHIELD™ feature, the dryer stops after the cool down period.

### Temperature

Temperature settings are used with the Manual Cycles. Press TEMP ADJUST until the desired temperature setting illuminates. Temperature modifiers cannot be used with the Auto Cycles.



### Air Only

Use the Air Only modifier for items that require drying without heat such as rubber, plastic and heat-sensitive fabrics. This chart shows examples of items that can be dried using Air Only.

Type of Load	Time* (Minutes)
Foam rubber - pillows, padded bras, stuffed toys	20 - 30
Plastic - Shower curtains, tablecloths	20 - 30
Rubber-backed rugs	40 - 50
Olefin, polypropylene, sheer nylon	10 - 20

\*Reset time to complete drying, if needed.

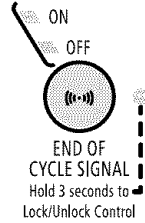
### When using Air Only

- Check that coverings are securely stitched.
- Shake and fluff pillows by hand periodically during the cycle.
- Dry item completely. Foam rubber pillows are slow to dry.

**NOTE:** Auto Cycles are not available when you are using the Air Only setting.

## End of Cycle Signal

The End of Cycle Signal produces an audible sound when the drying cycle is finished. Promptly removing clothes at the end of the cycle reduces wrinkling.



Press and release the END OF CYCLE SIGNAL to turn off the signal.

Hold the END OF CYCLE SIGNAL for 3 seconds to lock or unlock this control.

**NOTE:** When the WRINKLE SHIELD™ feature is selected and the End of Cycle Signal is on, an audible sound will be emitted every 5 minutes until the clothes are removed, or the WRINKLE SHIELD™ feature is finished.

## Changing Cycles, Options and Modifiers

You can change Auto Cycles, Timed Cycles, Modifiers and Options anytime before pressing Start.

- Three short tones sound if an unavailable combination is selected. The last selection will not be accepted.

### Changing Cycles after pressing Start

1. Press STOP twice. This ends the current cycle.
2. Select the desired cycle and options.
3. Press and hold START. The dryer starts at the beginning of the new cycle.

**NOTE:** If you do not press Start within 5 minutes of selecting the cycle, the dryer automatically shuts off.

### Changing Modifiers and Options after pressing Start

You can change a Modifier or Option anytime before the selected Modifier or Option begins.

1. Press STOP once.
2. Select the new Modifier and/or Option.
3. Press and hold START to continue the cycle.

**NOTE:** If you happen to press Stop twice, the program clears and your dryer shuts down. Restart the selection process.

## Drying Rack Option

Use the Drying Rack to dry items such as sweaters and pillows without tumbling. The drum turns, but the rack does not move.

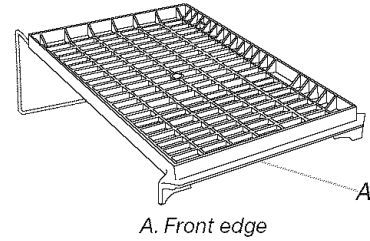
If your model does not have a drying rack, you may be able to purchase one for your model. To find out if your model allows drying rack usage and for ordering information, please refer to the front page of your manual or contact the dealer from whom you purchased your dryer.

**NOTE:** The rack must be removed for normal tumbling. Do not use the automatic cycle with the drying rack.

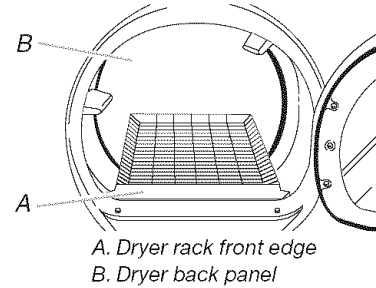
### To use the drying rack

Do not remove the lint screen.

1. Open dryer door.

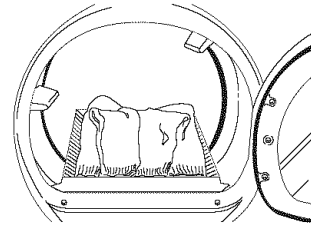


2. Place drying rack inside dryer drum, positioning the back wire on the ledge of the inner dryer back panel. Push down on front edge of drying rack to secure over the lint screen.



3. Put the wet items on top of the rack. Leave space between the items so air can reach all the surfaces.

**NOTE:** Do not allow items to hang over the edge of the rack.



4. Close the door.
5. Press the POWER button.
6. Select a timed drying cycle and temperature (see following chart). Items containing foam, rubber or plastic must be dried on a clothesline or by using the Air Only temperature setting.
7. You must select a time by pressing TIMING Up or Down. Reset time as needed to complete drying. Refer to the following table.
8. Press (and hold) START button (about 1 second).

This chart shows examples of items that can be rack dried and the suggested cycle, temperature setting and drying time. Actual drying time will depend on the amount of moisture items hold.

Rack Dry	Setting	Temp.	Time*
<b>Wool Sweaters</b> Block to shape and lay flat on the rack.	Timed Dry	Low	60
<b>Stuffed toys or pillows</b> Cotton or polyester fiber filled	Timed Dry	Low	60
<b>Stuffed toys or pillows</b> Foam rubber filled	Timed Dry	Air Only (no heat)	90
<b>Sneakers or canvas shoes</b>	Timed Dry	Air Only (no heat)	90

\*(Minutes) Reset time to complete drying, if needed.

# DRYER CARE

## Cleaning the Dryer Location

Keep dryer area clear and free from items that would obstruct the flow of combustion and ventilation air.

### **WARNING**



#### **Explosion Hazard**

Keep flammable materials and vapors, such as gasoline, away from dryer.

Place dryer at least 18 inches (46 cm) above the floor for a garage installation.

Failure to do so can result in death, explosion, or fire.

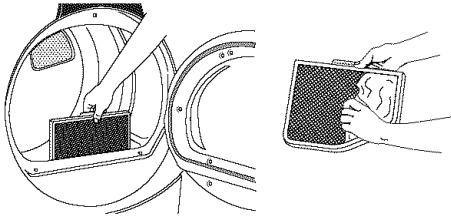
## Cleaning the Lint Screen

### Every load cleaning

The lint screen is located in the door opening of the dryer. A screen blocked by lint can increase drying time.

#### To clean

1. Pull the lint screen straight up. Roll lint off the screen with your fingers. Do not rinse or wash screen to remove lint. Wet lint is hard to remove.



2. Push the lint screen firmly back into place.

#### **IMPORTANT:**

- Do not run the dryer with the lint screen loose, damaged, blocked, or missing. Doing so can cause overheating and damage to both the dryer and fabrics.
- If lint falls off the screen into the dryer during removal, check the exhaust hood and remove the lint. See "Venting Requirements."

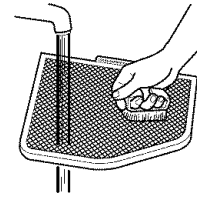
### As needed cleaning

Laundry detergent and fabric softener residue can build up on the lint screen. This buildup can cause longer drying times for your clothes, or cause the dryer to stop before your load is completely dry. The screen is probably clogged if lint falls off while the screen is in the dryer.

Clean the lint screen with a nylon brush every 6 months, or more frequently, if it becomes clogged due to a residue buildup.

#### To wash

1. Roll lint off the screen with your fingers.
2. Wet both sides of lint screen with hot water.
3. Wet a nylon brush with hot water and liquid detergent. Scrub lint screen with the brush to remove residue buildup.



4. Rinse screen with hot water.
5. Thoroughly dry lint screen with a clean towel. Replace screen in dryer.

## Cleaning the Dryer Interior

### To clean dryer drum

1. Make a paste with powdered laundry detergent and very warm water.
2. Apply paste to a soft cloth.

#### **OR**

Apply a liquid, nonflammable household cleaner to the stained area and rub with a soft cloth until all excess dye and stains are removed.

3. Wipe drum thoroughly with a damp cloth.
4. Tumble a load of clean cloths or towels to dry drum.

**NOTE:** Garments that contain unstable dyes, such as denim blue jeans or brightly colored cotton items, may discolor the dryer interior. These stains are not harmful to your dryer and will not stain future loads of clothes. Dry unstable dye items inside out to avoid dye transfer.



---

## Removing Accumulated Lint

### From Inside the Dryer Cabinet

Lint should be removed every 2 years, or more often, depending on dryer usage. Cleaning should be done by a qualified person.

### From the Exhaust Vent

Lint should be removed every 2 years, or more often, depending on dryer usage.

---

## Vacation and Moving Care

---

### Vacation care

Operate your dryer only when you are at home. If you will be on vacation or not using your dryer for an extended period of time, you should:

1. Unplug dryer or disconnect power.
2. Clean lint screen. See "Cleaning the Lint Screen."

---

### Moving care

#### For power supply cord-connected dryers:

1. Unplug the power supply cord.
2. Make sure leveling legs are secure in dryer base.
3. Use masking tape to secure dryer door.

## ⚠ WARNING



### Electrical Shock Hazard

**Disconnect power before servicing.**

**Replace all parts and panels before operating.**

**Failure to do so can result in death or electrical shock.**

#### For direct-wired dryers:

1. Disconnect power.
  2. Disconnect wiring.
  3. Make sure leveling legs are secure in dryer base.
  4. Use masking tape to secure dryer door.
- 

# TROUBLESHOOTING

**First try the solutions suggested here and possibly avoid the cost of a service call...**

---

## Dryer Operation

---

### Dryer will not run

- **Has a household fuse blown, or has a circuit breaker tripped?**  
There may be 2 fuses or circuit breakers for the dryer. Check that both fuses are intact and tight, or that both circuit breakers have not tripped. Replace the fuse or reset the circuit breaker. If the problem continues, call an electrician.
- **Is the correct power supply available?**  
Electric dryers require 240-volt power supply. Check with a qualified electrician.
- **Was a regular fuse used?**  
Use a time-delay fuse.
- **Is the dryer door firmly closed?**
- **Was the Power button pressed?**
- **Was the Start button firmly pressed?**  
Press and hold for 1 second.

---

### No heat

- **Has a household fuse blown, or has a circuit breaker tripped?**  
The drum may be turning, but you may not have heat. Electric dryers use 2 fuses or circuit breakers. Replace the fuse or reset the circuit breaker. If the problem continues, call an electrician.

---

### Unusual sounds

- **Has the dryer had a period of non-use?**  
If the dryer hasn't been used for a while, there may be a thumping sound during the first few minutes of operation.
- **Is a coin, button, or paper clip caught between the drum and front or rear of the dryer?**  
Check the front and rear edges of the drum for small objects. Clean out pockets before laundering.
- **Are the four legs installed, and is the dryer level front to back and side to side?**  
The dryer may vibrate if not properly installed. See "Installation Instructions."
- **Is the clothing knotted or balled up?**  
When balled up, the load will bounce, causing the dryer to vibrate. Separate the load items and restart the dryer.

---

### Dryer displaying code message

- **"PF" (power failure), check the following:**  
Was the drying cycle interrupted by a power failure?  
Press and hold START to restart the dryer.
- **"F-" Variable (F-01, F-22, F-23, F-26) service codes (the display alternately flashes "F-" and then the error code number):**  
Call for service.

## Dryer Results

**Clothes are not drying satisfactorily, drying times are too long, or load is too hot**

- **Is the lint screen clogged with lint?**  
Lint screen should be cleaned before each load.

### **⚠ WARNING**



#### **Fire Hazard**

Use a heavy metal vent.  
Do not use a plastic vent.  
Do not use a metal foil vent.  
Failure to follow these instructions can result in death or fire.

- **Is the exhaust vent or outside exhaust hood clogged with lint, restricting air movement?**  
Run the dryer for 5-10 minutes. Hold your hand under the outside exhaust hood to check air movement. If you do not feel air movement, clean exhaust system of lint or replace exhaust vent with heavy metal or flexible metal vent. See "Venting Requirements."
- **Are fabric softener sheets blocking the grille?**  
Use only one fabric softener sheet, and use it only once.
- **Is the exhaust vent the correct length?**  
Check that the exhaust vent is not too long or has too many turns. Long venting will increase drying times. See "Plan Vent System."
- **Is the exhaust vent diameter the correct size?**  
Use 4" (10.2 cm) diameter vent material.

### **⚠ WARNING**



#### **Explosion Hazard**

Keep flammable materials and vapors, such as gasoline, away from dryer.  
Place dryer at least 18 inches (46 cm) above the floor for a garage installation.  
Failure to do so can result in death, explosion, or fire.

- **Is the dryer located in a room with temperature below 45°F (7°C)?**  
Proper operation of dryer cycles requires temperatures above 45°F (7°C).

- **Is the dryer located in a closet?**  
Closet doors must have ventilation openings at the top and bottom of the door. The front of the dryer requires a minimum of 1" (2.5 cm) of airspace, and, for most installations, the rear of the dryer requires 5" (12.7 cm). See "Installation Instructions."
- **Has the Air Only modifier been selected?**  
Select the right cycle for the types of garments being dried. See "Cycles."
- **Is the load too large and heavy to dry quickly?**  
Separate the load to tumble freely.

#### **Cycle time too short**

### **⚠ WARNING**

#### **Excessive Weight Hazard**

Use two or more people to move and install dryer.  
Failure to do so can result in back or other injury.

- **Is the automatic cycle ending early?**  
The load may not be contacting the sensor strips. Level the dryer.  
  
Change the dryness level setting on Auto Cycles. Increasing or decreasing the dryness level will change the amount of drying time in a cycle.  
  
Do not use a dryer rack with an Auto Cycle.

#### **Lint on load**

- **Is the lint screen clogged?**  
Clean lint screen. Check for air movement.

#### **Stains on load or drum**

- **Was dryer fabric softener properly used?**  
Add dryer fabric softener sheets at the beginning of the cycle. Fabric softener sheets added to a partially dried load can stain your garments.  
  
Drum stains are caused by dyes in clothing (usually blue jeans). This will not transfer to other clothing.

#### **Loads are wrinkled**

- **Was the load removed from dryer at the end of the cycle?**
- **Was the dryer overloaded?**  
Dry smaller loads that can tumble freely.

#### **Odors**

- **Have you recently been painting, staining or varnishing in the area where your dryer is located?**  
If so, ventilate the area. When the odors or fumes are gone from the area, rewash and dry the clothing.
- **Is the dryer being used for the first time?**  
The new electric heating element may have an odor. The odor will be gone after the first cycle.

---

# ASSISTANCE OR SERVICE

Before calling for assistance or service, please check “Troubleshooting.” It may save you the cost of a service call. If you still need help, follow the instructions below.

When calling, please know the purchase date and the complete model and serial number of your appliance. This information will help us to better respond to your request.

## If you need replacement parts

If you need to order replacement parts, we recommend that you use only FSP® factory specified parts. These parts will fit right and work right because they are made with the same precision used to build every new WHIRLPOOL® appliance. To locate FSP® replacement parts in your area, call our Customer eXperience Center telephone number or your nearest designated service center.

## For assistance and service

Call the Whirlpool Customer eXperience Center toll free: **1-800-253-1301**.

### Our consultants provide assistance with:

- Features and specifications on our full line of appliances
- Installation information
- Use and maintenance procedures
- Accessory and repair parts sales
- Specialized customer assistance (Spanish speaking, hearing impaired, limited vision, etc.)
- Referrals to local dealers, repair parts distributors, and service companies

Whirlpool designated service technicians are trained to fulfill the product warranty and provide after-warranty service, anywhere in the United States.

To locate the Whirlpool designated service company in your area, you can also look in your telephone directory Yellow Pages.

## For further assistance

If you need further assistance, you can write to Whirlpool Corporation with any questions or concerns at:

Whirlpool Corporation  
Customer eXperience Center  
553 Benson Road  
Benton Harbor, MI 49022-2692

Please include a daytime phone number in your correspondence.

## Accessories U.S.A.

To order accessories, call the Whirlpool Customer eXperience Center toll free at **1-800-442-9991** and follow the menu prompts. Or visit our website at [www.whirlpool.com](http://www.whirlpool.com).

---

# WHIRLPOOL CORPORATION MAJOR APPLIANCE WARRANTY

---

## ONE YEAR LIMITED WARRANTY

For one year from the date of purchase, when this major appliance is operated and maintained according to instructions attached to or furnished with the product, Whirlpool Corporation or Whirlpool Canada LP (hereafter "Whirlpool") will pay for FSP® replacement parts and repair labor to correct defects in materials or workmanship. Service must be provided by a Whirlpool designated service company.

---

### ITEMS WHIRLPOOL WILL NOT PAY FOR

1. Service calls to correct the installation of your major appliance, to instruct you how to use your major appliance, to replace or repair house fuses or to correct house wiring or plumbing.
  2. Service calls to repair or replace appliance light bulbs, air filters or water filters. Those consumable parts are excluded from warranty coverage.
  3. Repairs when your major appliance is used for other than normal, single-family household use.
  4. Damage resulting from accident, alteration, misuse, abuse, fire, flood, acts of God, improper installation, installation not in accordance with electrical or plumbing codes, or use of products not approved by Whirlpool.
  5. Any food loss due to refrigerator or freezer product failures.
  6. Replacement parts or repair labor costs for units operated outside the United States or Canada.
  7. Pickup and delivery. This major appliance is designed to be repaired in the home.
  8. Repairs to parts or systems resulting from unauthorized modifications made to the appliance.
  9. Expenses for travel and transportation for product service in remote locations.
  10. The removal and reinstallation of your appliance if it is installed in an inaccessible location or is not installed in accordance with published installation instructions.
- 

### DISCLAIMER OF IMPLIED WARRANTIES; LIMITATION OF REMEDIES

CUSTOMER'S SOLE AND EXCLUSIVE REMEDY UNDER THIS LIMITED WARRANTY SHALL BE PRODUCT REPAIR AS PROVIDED HEREIN. IMPLIED WARRANTIES, INCLUDING WARRANTIES OF MERCHANTABILITY OR FITNESS FOR A PARTICULAR PURPOSE, ARE LIMITED TO ONE YEAR OR THE SHORTEST PERIOD ALLOWED BY LAW. WHIRLPOOL SHALL NOT BE LIABLE FOR INCIDENTAL OR CONSEQUENTIAL DAMAGES. SOME STATES AND PROVINCES DO NOT ALLOW THE EXCLUSION OR LIMITATION OF INCIDENTAL OR CONSEQUENTIAL DAMAGES, OR LIMITATIONS ON THE DURATION OF IMPLIED WARRANTIES OF MERCHANTABILITY OR FITNESS, SO THESE EXCLUSIONS OR LIMITATIONS MAY NOT APPLY TO YOU. THIS WARRANTY GIVES YOU SPECIFIC LEGAL RIGHTS AND YOU MAY ALSO HAVE OTHER RIGHTS, WHICH VARY FROM STATE TO STATE OR PROVINCE TO PROVINCE.

---

Outside the 50 United States and Canada, this warranty does not apply. Contact your authorized Whirlpool dealer to determine if another warranty applies.

If you need service, first see the "Troubleshooting" section of the Use & Care Guide. After checking "Troubleshooting," additional help can be found by checking the "Assistance or Service" section or by calling Whirlpool. In the U.S.A., call **1-800-253-1301**. In Canada, call **1-800-807-6777**.

8/05

**Keep this book and your sales slip together for future reference. You must provide proof of purchase or installation date for in-warranty service.**

Write down the following information about your major appliance to better help you obtain assistance or service if you ever need it. You will need to know your complete model number and serial number. You can find this information on the model and serial number label located on the product.

Dealer name \_\_\_\_\_  
Address \_\_\_\_\_  
Phone number \_\_\_\_\_  
Model number \_\_\_\_\_  
Serial number \_\_\_\_\_  
Purchase date \_\_\_\_\_