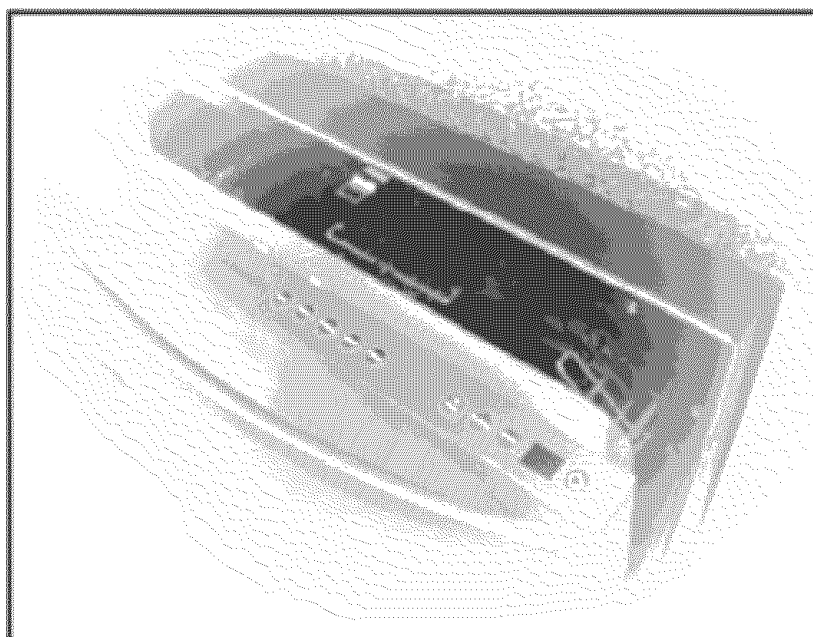


Installation Instructions

Dishwasher



 **Electrolux**

READ THESE INSTRUCTIONS

NOTE

Installer: Leave instructions with owner.

Owner: Read your dishwasher Use & Care Guide. It contains important safety information for operating this appliance. It also has many suggestions for getting the best results from your dishwasher.

Read all instructions before installing the dishwasher.

For your safety, please read and observe all safety instructions. This guide will help you anticipate electrical, water, and drain connections and help you select the best location for the dishwasher.



WARNING

Tip Over Hazard – Do not use dishwasher until completely installed.

Do not push down on open door.

Failure to follow this warning can result in serious injury and void your warranty.

QUESTIONS?

1-877-4Electolux (United States and Canada)

INTERNET

For online support and product information, in the U.S. visit www.electroluxusa.com. In Canada, visit www.electroluxca.com.

4 Finding Information

TABLE OF CONTENTS

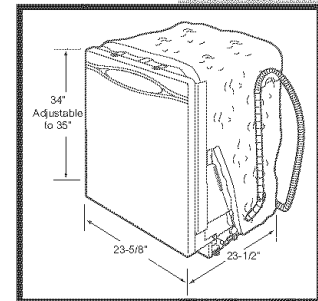
Before You Begin	3	Finishing the Connections	16
Questions.....	3	Finishing the Water Connection.....	16
Preparing for Installation	5	Finishing the Drain Connection.....	16
Dimensions.....	5	Finishing the Electrical Connection.....	17
Materials Provided for All Installation.....	5	Finishing the Installation	18
Materials Needed for Installation.....	5	Positioning the Dishwasher in Cabinet.....	18
Tools Needed for Installation.....	5	Checking the Installation.....	18
Installation Tips.....	6	Securing the Dishwasher	19
Getting Started.....	7	Securing to Cabinet and Countertop.....	19
Making the Connections	9	Completing the Installation	20
Locating the Connections.....	9	Installing the Toekick.....	20
Making the Electrical Connection.....	10	Adjusting Trim Plates	21
Making the Water Connection.....	10		
Making the Drain Connections.....	11		
Installing the Dishwasher	13		
Removing the Packaging.....	13		
Installing the Leveling Legs.....	13		
Removing the Foam Motor Support.....	13		
Removing the Access Cover.....	14		
Installing the Elbow.....	14		
Leveling the Dishwasher.....	15		
Positioning the Dishwasher for Installation.....	15		

Preparing for Installation

5

BEFORE YOU START

Make sure the area selected for the installation site meets product dimension requirements.



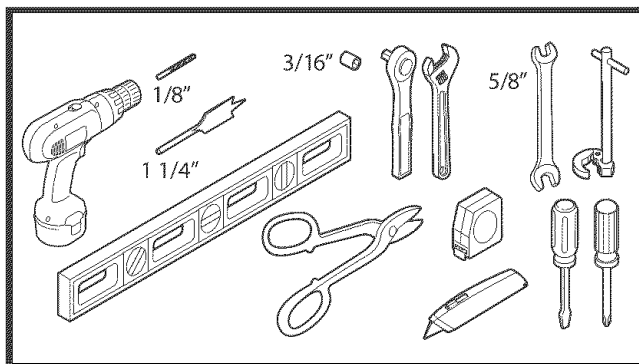
MATERIALS PROVIDED FOR INSTALLATION

- Mounting screws
- 3/4" UL approved strain relief
- Sound seals (select models only)
- Two mounting strips
- Toe panel seal

MATERIALS NEEDED FOR INSTALLATION

- 3/8" male (N.P.T.) compression or flare elbow
- Plumber's tape
- Two appropriate sized wire nuts
- 1.25" hose clamp

TOOLS NEEDED FOR INSTALLATION



6 Preparing for Installation

INSTALLATION TIPS



Please read all safety instructions before installing your new Electrolux dishwasher.



WARNING

Electric Shock Hazard – Disconnect electrical power at the fuse box or circuit breaker box before beginning installation. Failure to follow this warning could result in death or serious injury.

- Examine the dishwasher and locate the connections. *See Locating the Connections, page 9.*
- Locate the dishwasher where there is easy access to drain, water, and electrical lines. The best location is on either side of the kitchen sink for access to existing plumbing and ease in loading dishes. *See Making the Connections, pages 9-11.*
- Electrical, water and drain connections are not the same for all age, brands or models of dishwasher. Check the location and length of home utilities. *See Making the Connections, pages 9-11.*
- A 15-20 amp, grounded 120 volt AC only electrical supply is required. *See Making the Connections, pages 9-11.*
- If the dishwasher drain hose will be connected to a food disposer for the first time, remove knock out plug covering disposer inlet. *See Making the Connections, pages 9-11.*
- Kinked water and drain hoses can cause problems. *See Finishing the Connections, page 16.*
- Dishwasher need to be connected to a hot water supply with enough water pressure to ensure an adequate fill. *See Making the Water Connection, page 10.*
- Each home installation differs. You will need additional parts listed above to complete the installation. *See Materials Needed for Installation, page 5.*
- Flush water line prior to making the final connection to prevent clogging of the inlet valve filter screen. *See Finishing the Water Connection, page 16.*
- The dishwasher will look, sound and perform best when properly leveled. *See Leveling the Dishwasher, page 15.*
- Anchor the dishwasher to the countertop and adjacent cabinets. *See Securing the Dishwasher, page 19.*

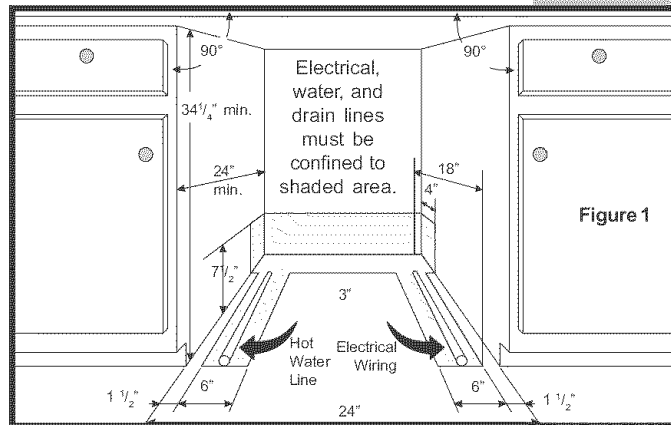
GETTING STARTED



WARNING

Electric Shock Hazard – Observe all local codes and ordinances for electrical and plumbing connections. All electrical and plumbing work should be performed by qualified persons. Failure to follow this warning could result in death or serious injury.

1. Make sure your location has the right drain, water and electrical outlets to make connections. Do not install unit under a cooktop. Damage may occur.



WARNING

Electric Shock Hazard – Electrical, water and drain lines must be confined to shaded areas in *Figure 1*.

Electrical conductors, water and drain could be damaged.

Failure to follow these instructions could result in fire or electrical shock.

NOTE

For proper operation and appearance of the unit, cabinet opening should have dimensions as shown in *Figure 1*. If unit is to be placed in a corner, there must be at least 2 inches between the opened door and the wall in order to open the door.

8 Preparing for Installation

2. Remove any carpet from area to provide clearance. Floor should be flat and free from any obstructions.

NOTE

Drain, water and electrical lines should be roughed-in before going any further.

NOTE

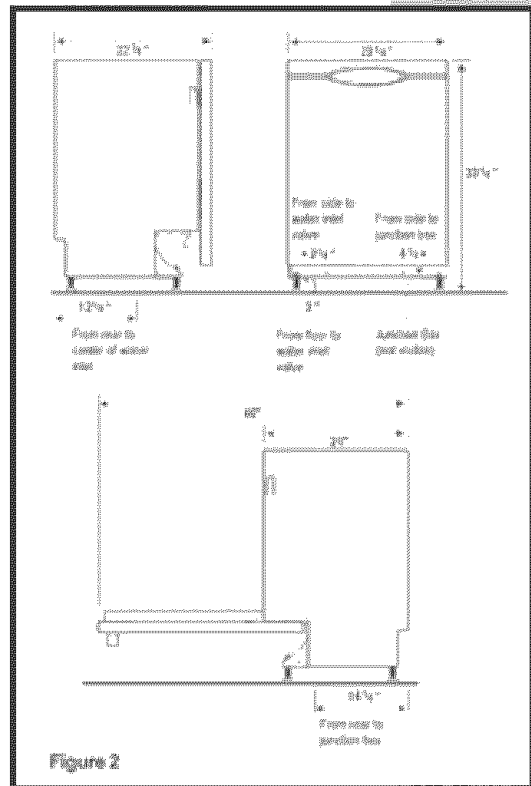
If the dishwasher is installed at the end of a cabinet line, the dishwasher sides and back must be fully enclosed.

LOCATING THE CONNECTIONS

NOTE

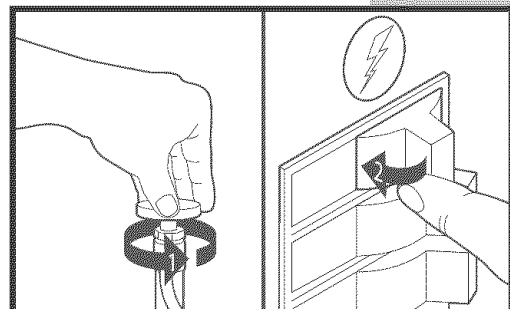
Do not cross drain, water and electrical lines in front of dishwasher motor or frame.

1. Review dimensions in **Figure 2** to locate the dishwasher's drain, water and electrical connections.
2. All connections must be made in the shaded area of **Figure 1**, page 7.



NOTE

Turn off water and disconnect power at the breaker box before starting installation.



MAKING THE ELECTRICAL CONNECTION

1. The dishwasher operates on a 120 Volt, 60 Hz electrical supply. Provide a separate circuit with fuse or circuit breaker rated for at least 15 amps (20 amps if connected with a disposer), but not more than 20 amps.
2. Note the location of the electrical supply and the dishwasher's electrical junction box on the right hand underside of the unit. **See Figure 2**, page 9.
3. Cut the access hole in the shaded area shown in **Figure 1**, page 7.
4. Pull the electrical cable through the hole into the installation area.

MAKING THE WATER CONNECTION

1. Determine where you connect to the hot water supply. Review **Figure 2**, page 9 and note the location of the water inlet valve.



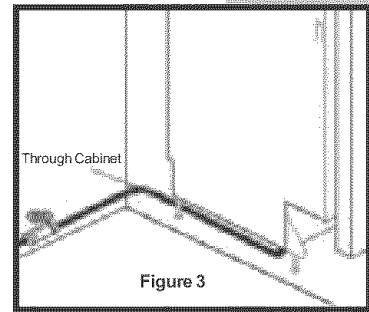
CAUTION

Property Damage – Do not use the furnished drain hose or a rubber garden hose for the water supply line. Either of the hoses can burst. Flooding may occur and cause property damage. Property damage resulted from actions described will void the warranty.

An existing or new, copper or stainless steel braided line, rated for dishwasher use, should attach the dishwasher to the water supply line.

2. Be sure water inlet is protected from freezing. If valve freezes and ruptures, flooding may occur.
 3. Determine the amount of tubing needed to connect the hot water supply to the unit's water inlet valve. Copper tubing must have a minimum of 3/8" OD. High-pressure and high-temperature rated plastic tubing with a minimum inner diameter of 1/4" may be used. A shut-off valve installed outside the dishwasher cabinet is recommended. **See Figure 3**, page 11.
-

2. Cut water access hole in cabinet as shown in **Figure 3**.
3. Route water supply line to installation area.



NOTE

Incoming hot water temperature, set at the hot water heater, should be 120° F (49° C). Water pressure should be between 20-120 psi.

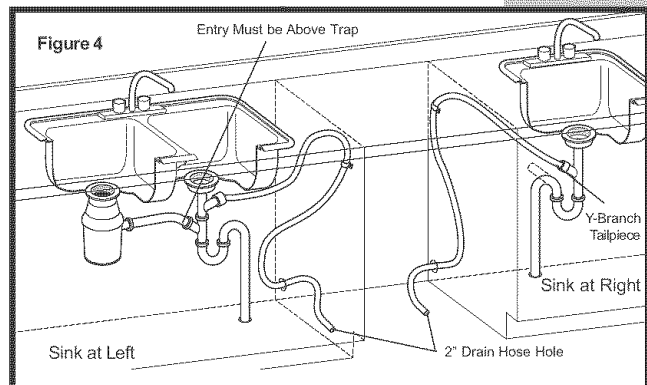
MAKING THE DRAIN CONNECTION



CAUTION

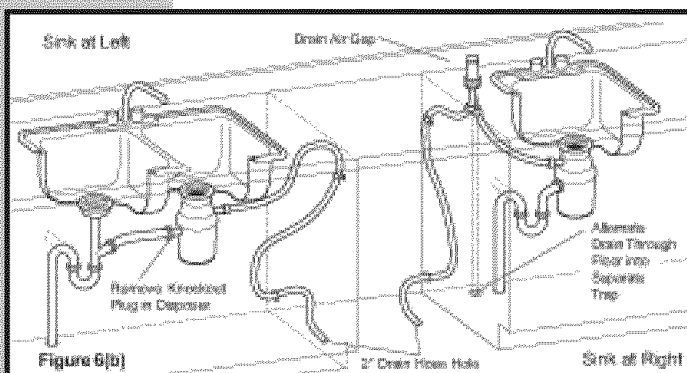
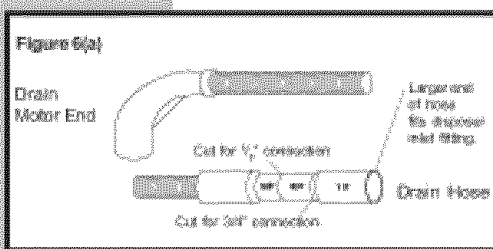
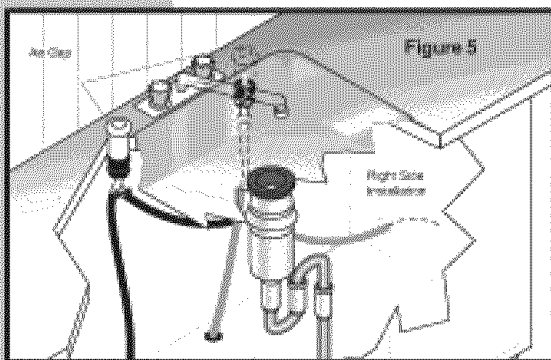
To prevent siphoning, an air gap **MUST BE USED** when waste tee or disposer connection is less than 18" above the floor to prevent siphoning. Failure to provide the proper drain connection using an air gap or a 30" minimum high drain loop will result in improper draining and may cause property damage or poor wash performance.

1. Follow local codes and ordinances.
2. Review **Figure 4** and **Figure 5**, page 12 to see the different ways to connect dishwasher to drain system. Choose the method that best suits your need.
3. **If you connect to a sink drain**, entry will need to be above the trap. A "Y" branch tailpiece and connector kit, not included, will make this method easier and included all needed fittings and instructions. **See Figure 5**, page 12.



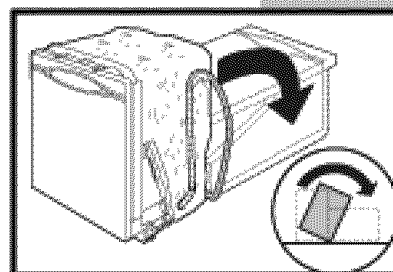
12 Making the Connections

4. If you connect to a sink trap, local codes may require you to install an air gap kit, not included. The drain hose will be routed from the dishwasher to an air gap inlet as shown in *Figure 5*. An air gap kit is available from a plumbing supply store.
5. If you connect to a disposer, the large end of drain hose will fit. *Figure 6(a)*. **The knock out plug must be removed from inside disposer inlet before making the final fit to the drain hose.** See *Figure 6(b)*.
6. Before cutting the drain hose access, check both sides of the selected area to avoid interference. Cut a 2" diameter hole in shaded area shown in *Figure 1*, page 7.
7. If the cabinet wall is wood, sand edges of hole until smooth and rounded. If cabinet wall is metal, cover all sharp edges with electrical or duct tape to avoid cutting drain hose.



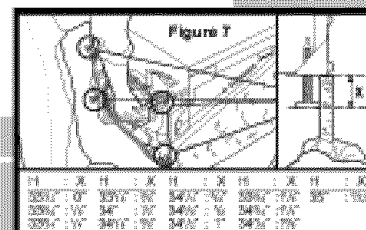
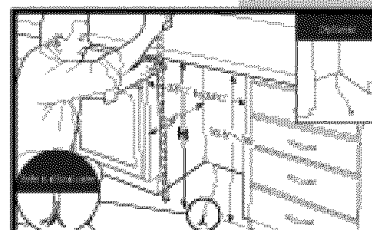
REMOVING THE PACKAGING

1. Cut the shipping carton and use it as a pad beneath the dishwasher. This will protect the finished floor in the kitchen.
2. Remove wrapping and uncoil the drain hose in the back of the dishwasher. Do not remove the rear insulation blanket.
3. Lay the dishwasher on its back. Do not kink or crush the drain hose.



INSTALLING THE LEVELING LEGS

1. Measure the installation opening from the floor to the bottom of the countertop.
2. Install the leveling legs into the holes below the red plugs. Use the spanner wrench to screw the legs in until the overall height of the dishwasher is 1/4" less than the installation opening height. *See Figure 7.*
3. Remove the red shipping plugs.



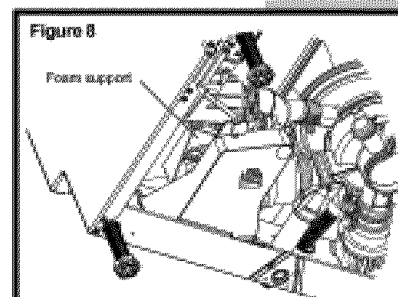
NOTE

Install the legs as show a minimum of 1-1/4" from the bottom of the brackets.

Failure to install the legs correctly may result in damage to the door when opened.

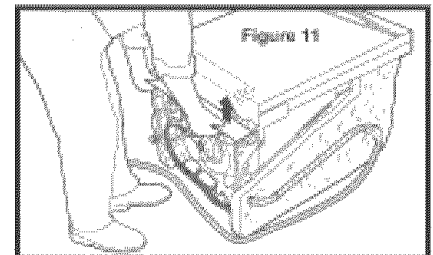
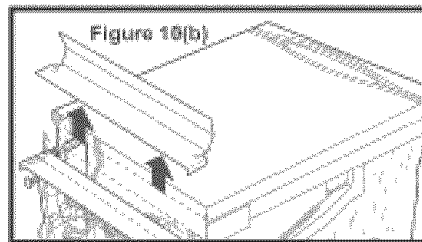
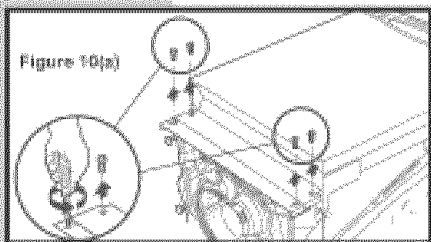
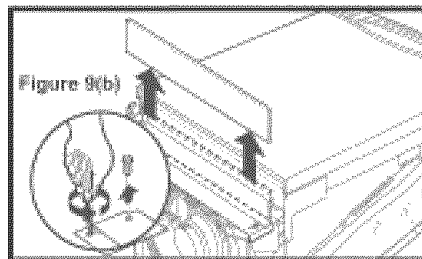
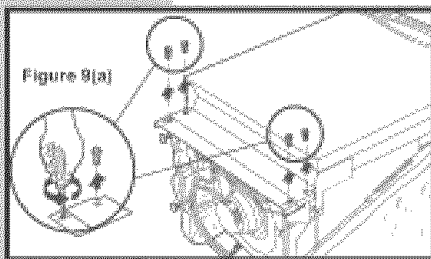
REMOVING THE FOAM MOTOR SUPPORT

1. Locate the wedge of polystyrene (foam) from between the motor and the liner. *See Figure 8.*
2. Use two hands to rotate and slide the foam down and to the left to remove it.
3. Discard the foam.



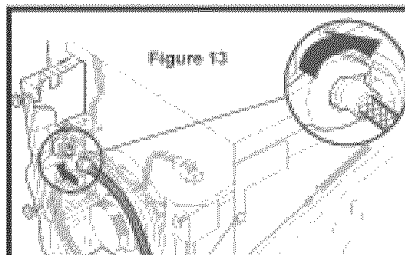
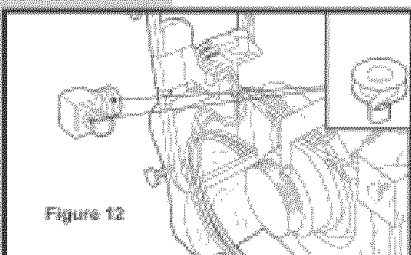
REMOVING THE ACCESS COVER

1. Remove the four (4) screws at the front of the access cover. *See Figures 9(a) and 9(b) (select models) or 10(a) and 10(b) (select models).*
2. Tilt access cover and pull forward to remove. *See Figure 11.*
3. Pull house wiring into junction box. Use a UL listed strain-relief bushing at the junction box to stabilize wiring.



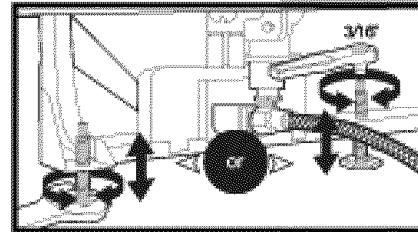
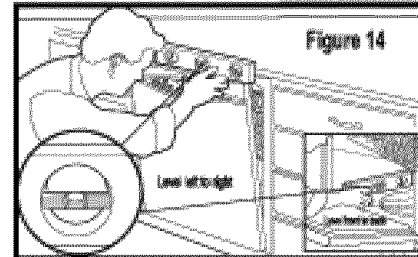
INSTALLING THE ELBOW

1. Locate the water inlet valve. The valve has a 3/8" NPT female fitting.
2. Wrap 90° elbow with thread seal tape (or apply joint compound) and thread it into the water inlet valve. Wrap tape in the same direction as the elbow threads. *See Figure 12.*
3. Tighten elbow with a wrench, leaving elbow pointing in the direction of the inlet water line. *See Figure 13. To prevent bending of bracket or breaking of valve, avoid over-tightening.*



LEVELING THE DISHWASHER

1. Measure the height of cabinet opening from underside of countertop to floor.
2. Move dishwasher to front of installation area.
3. Adjust leveling legs and make sure the dishwasher height fits into the enclosure with 1/4" clearance at the top.
4. Check that the dishwasher is level from side to side by placing a level against the top front section of the tub. *See Figure 14.*
5. Check that the dishwasher is level from front to back by placing a level on the inner panel with the door open.
6. Adjust levelers up or down until dishwasher is level.

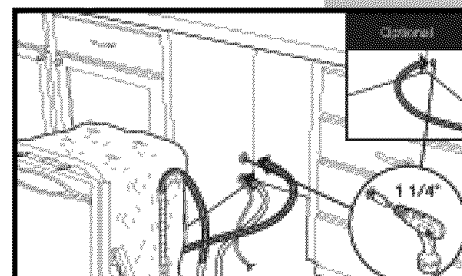


NOTE

Before continuing installation, make sure you have an adequate surface to mount beneath or on the sides of the countertop and cabinets. Additional support may be required. See *Securing Cabinet and Countertop*, page 19.

POSITIONING THE DISHWASHER FOR INSTALLATION

1. Insert drain hose into the cabinet wall hole.
2. Position the water supply line and house wiring on the floor of the opening to avoid interference with the base and legs of dishwasher.
3. Slide dishwasher into the opening a few inches at a time. As you proceed, pull the drain hose through the cabinet wall under the sink.
4. Check to be sure there is no interference with the house wiring or the water line.
5. Make sure the dishwasher is level.

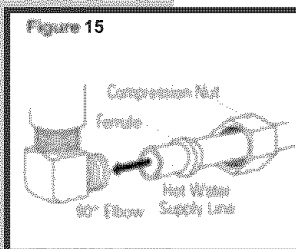


16 Finishing the Connections

FINISHING THE WATER CONNECTION

NOTE

If you are using an existing water line, cut 1" off the end. Always use a new ferrule and compression nut.



1. Flush the water supply line to clear any foreign material before connecting to the dishwasher.
2. Make sure that there are no sharp bends or kinks to restrict the water flow.
3. Insert the water line into the 90° elbow. **See Figure 15.**
4. Slide the ferrule against the elbow and secure with the compression nut.
5. Turn the water on to check for leaks.
6. Feed the dishwasher cable through the small hole in the junction box.
7. Replace the access cover.

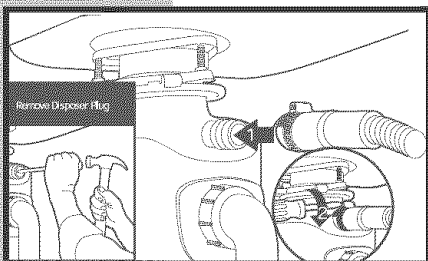
FINISHING THE DRAIN CONNECTION

NOTE

Follow all local codes and ordinances.

The dishwasher is supplied with a 72" long drain hose.

1. If a longer drain hose is required, add up to 48" of length for a total of 10 feet. The hose must not restrict the flow from the drain of the dishwasher to the house's drain system. The type of hose used should be consistent with the type and diameter installed on the dishwasher.
2. Secure the drain hose to the air gap, water tee or disposer with clamps.
3. Make sure the drain hose is not kinked.



NOTE

When connecting the drain line to the disposer, check to be sure that the knockout plug has been removed. **DISHWASHER WILL NOT DRAIN IF THE PLUG IS LEFT IN PLACE.**

FINISHING THE ELECTRICAL CONNECTION

WARNING

Electric Shock Hazard – Make sure electrical power has been disconnected at fuse box or circuit breaker box.

The dishwasher must be connected to a grounded metal, permanent wiring system, or an equipment-grounding conductor must be run with circuit conductors and connected to the equipment-grounding terminal or lead on the dishwasher. It is the consumer's responsibility to contact a qualified installer to make sure the electrical installation conforms with the National Electrical Code and local codes and ordinances.

Do not connect the dishwasher to the power supply until the appliance is permanently grounded.

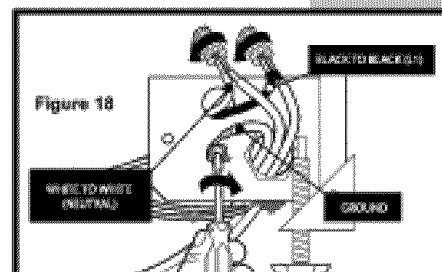
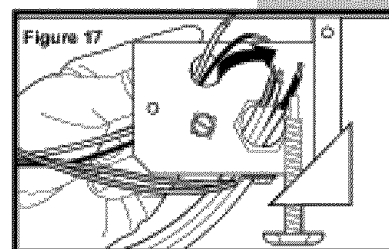
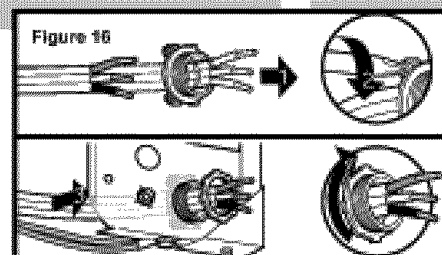
All wiring connections must be enclosed in the junction box. This unit has copper lead wires.

Joining aluminum building wire to stranded copper wire should be done by a qualified electrician using materials recognized by UL and local codes.

Do not use an extension cord. Such use can result in fire, electrical shock, or other personal injury.

Failure to follow these instructions could result in death or serious injury. Property damage resulted from actions described will void the warranty.

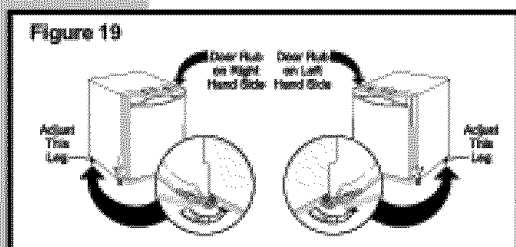
1. Verify that the power is turned off at the source.
2. Strip the necessary insulation off the wires in order to make a good connection.
3. Fit the strain relief onto the outer sheath of the wire.
See Figure 16.
4. Fit the strain relief into the junction box hole and tighten.
See Figure 17.
5. Locate the white, black and green dishwasher wires with stripped ends. Use wire connectors to connect incoming ground to green, white to white and black to black. **See Figure 18.**
6. Install the junction box cover with screw provided. Check to be sure that the wires are not pinched under the cover.



18 Finishing the Installation

POSITIONING THE DISHWASHER IN CABINET

1. Verify that the dishwasher is adjusted to the correct height and is centered in the enclosure. *See Leveling the Dishwasher, page 15.*
2. Open and close the door to insure proper operation. If there is any binding or rubbing, adjust the leveling legs.
3. If the door rubs on the right side of the cabinet, extend the left rear leg by unscrewing it 1/4 of a turn. *See Figure 19.*
4. If the door rubs on the left side of the cabinet, extend the right rear leg by unscrewing it 1/4 turn. *See Figure 19.*
5. Check again to see if the dishwasher is level. Repeat procedure if necessary.



CHECKING THE INSTALLATION

1. Check to be sure that the power is OFF.
2. Open the door and remove all packaging.
3. Pull the lower rack out half way. Check to be sure it does not move backward or forward onto the door. If the rack moves, adjust the legs.
4. Verify that the water line and drain hose are not kinked and are connected properly.
5. Turn on water supply.
6. Check connections for leaks.
7. Turn on power supply.

Operate the machine through at least one fill and pump out and check the following items:

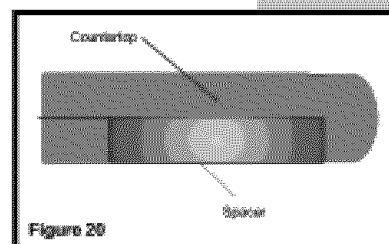
1. Make sure the water completely covers the filter.
2. Make sure all water is pumped out during the pump phase of the cycle.
3. Check connections for leaks.

SECURING TO CABINET AND COUNTERTOP

To maintain position and alignment, it is recommended to secure the dishwasher to the countertop and adjacent cabinets.

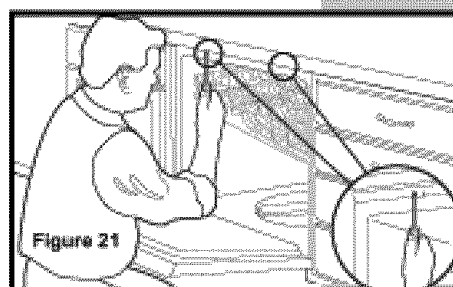
Make sure sufficient countertop support exists:

1. If mounting the dishwasher to the countertop, check at a depth of 2.5" under the counter to ensure sufficient mounting support exists. If mounting support does not exist at this depth, go to step 2.
2. If necessary, mount a 1" x 4" 24" wood support to the underside of the counter prior to installing the dishwasher. See *Figure 20*.



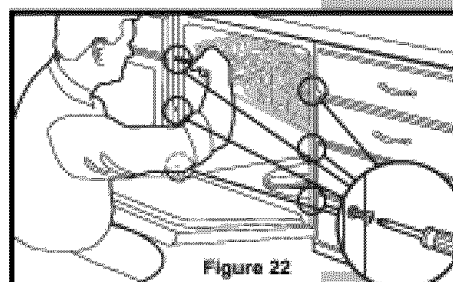
To secure the dishwasher to the countertop:

1. Drill pilot holes into the underside of the countertop.
2. Secure brackets to countertop using provided screws. See *Figure 21*.



To secure the dishwasher when countertops are granite:

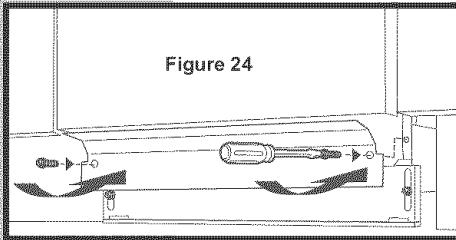
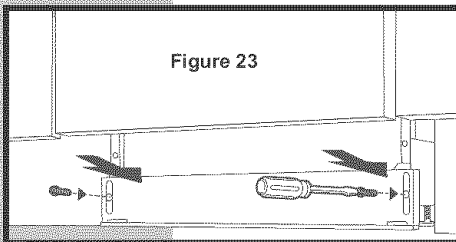
1. Remove the (2) plastic plugs on each side of the inside of the dishwasher frame.
2. Drill pilot holes into the adjacent cabinets.
3. Secure brackets to cabinet using provided screws. See *Figure 22*.
4. Replace plastic plugs.



20 Completing the Installation

INSTALLING THE TOEKICK

1. Loosen depth adjustment screws.
2. Slide bracket out to proper depth and tighten screws. *See Figure 23.*
3. Attach supplied toekick to brackets with provided color-matched screws. *See Figure 24.*
4. Tighten screws.



Adjusting Trim Plates 21

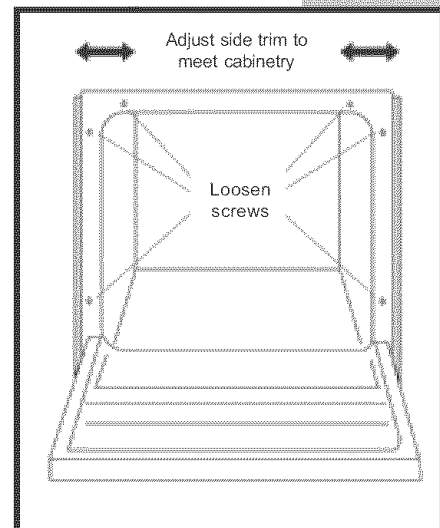
ADJUSTING STAINLESS STEEL TRIM PLATES



Your Electrolux dishwasher has been equipped with adjustable stainless steel side trim plates. Each side can be adjusted independently to create a clean, integrated look with your cabinets.

To adjust side trim strips:

1. Fully open the door.
2. Loosen, but do not remove, the screws holding the top and side trim plates.
3. Adjust stainless steel side trim plates to cover the opening gap.
4. Tighten the screws.



Custom Panel Instructions

Items you will need:

- Custom Panel Door Front (max weight: 16 lbs)
 - o **Panel MUST be 3/4 inch thick.**
- Tape Measure
- Electric Drill
- Torx (T-20) Head Screwdriver
- 1/8" Drill Bit
- 5/32" Drill Bit
- Masking Tape
- Safety Glasses
- Original Installation Instructions

Additional items required if using handle provided with dishwasher:




- #10 – 32 Bolt, 1" Long
- 7/32" Drill Bit

ALL ELECTRICAL WIRING, GROUNDING AND PLUMBING SHOULD BE DONE IN ACCORDANCE WITH NATIONAL AND LOCAL CODES BY QUALIFIED INDIVIDUALS

CHECK LOCAL PLUMBING CODES FOR APPROVED PLUMBING PROCEDURES AND ACCESSORIES.

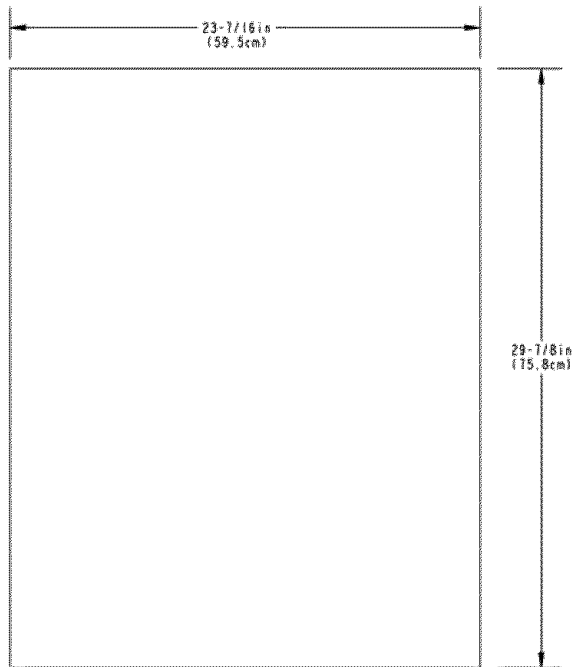
This appliance must be connected to a grounded metal, permanent wiring system; or an equipment-grounded conductor must be run with the circuit conductors and connected to the equipment-grounding terminal or lead on the appliance.

This dishwasher is designed for operation on an individual 120 VAC, 60 Hz grounded electrical circuit. Use required fuse (15 amp) or comparable circuit breaker. Two wire with ground service to the dishwasher is recommended for connection at the terminal box and for grounding.

	WARNING Disconnect electrical power to dishwasher before you start! Failure to follow this warning could result in death or serious injury.
	WARNING To prevent the possibility of electrical shock, this dishwasher, as other electrical appliances, must be adequately grounded. It is the responsibility of the installer at the point of installation, taking into consideration local conditions and requirements. Failure to follow this warning could result in death or serious injury.
	WARNING To prevent accidental contact with electrical connections, built in-in dishwasher models must not be connected to a power source unless the dishwasher is completely enclosed, with the front panels in place. If the back or either side of the dishwasher is exposed, a panel must be used to complete this enclosure. Failure to follow this warning could result in death or serious injury.

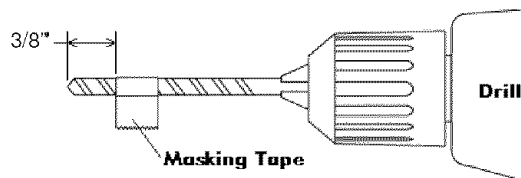
Step 1: Construct the Custom Panel.

1.1 Ensure the custom panel is the same size as the panel shown in the figure below.



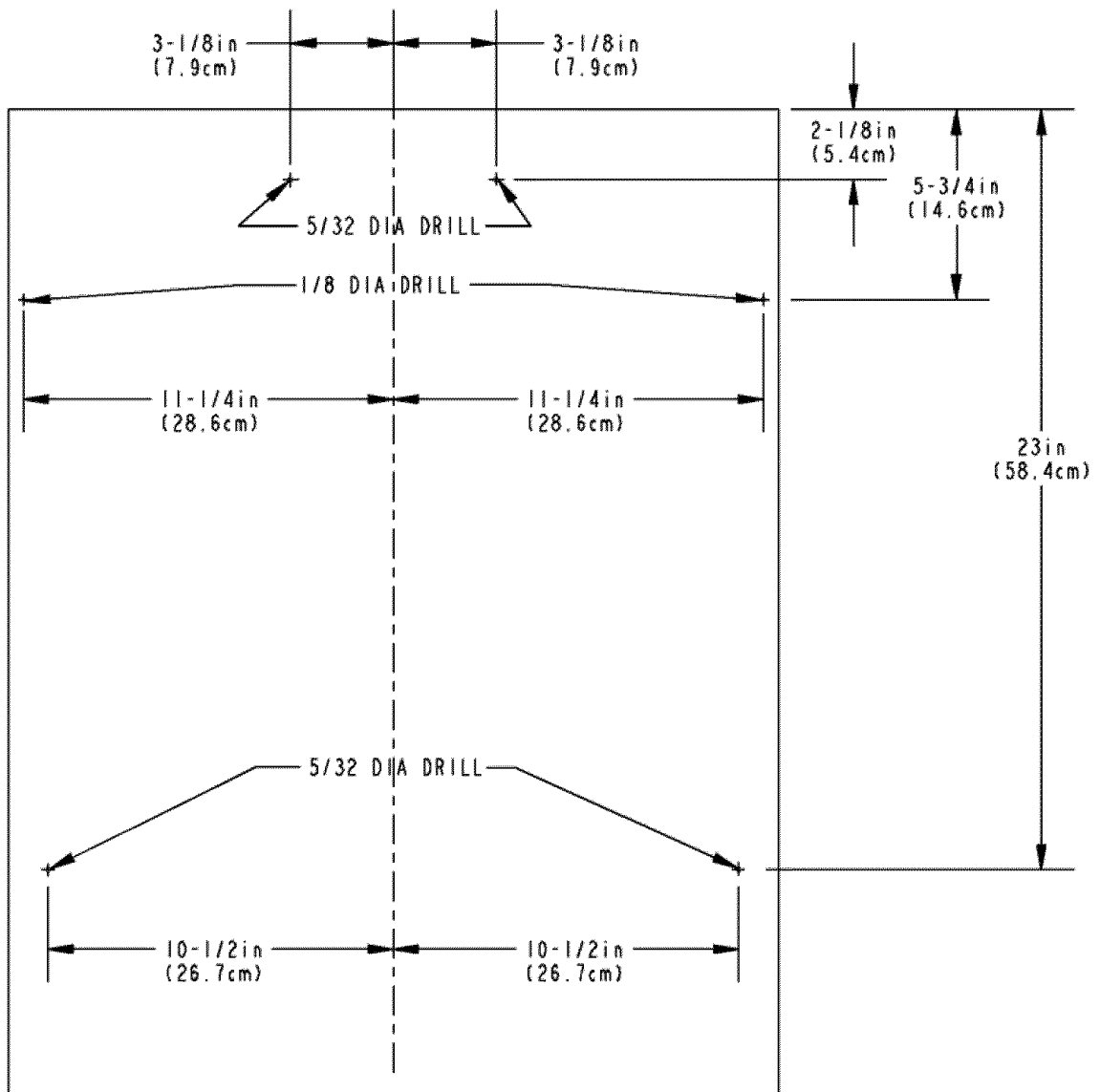
1.2 Drill holes in the **back** of the panel using the template provided. Follow the instructions on the front of the template. If the template is missing follow the instructions on following page.

Helpful Hint: Use masking tape on your drill bit to mark a maximum drill depth of $\frac{3}{8}$ ".



1.2B Custom panel construction without a template.

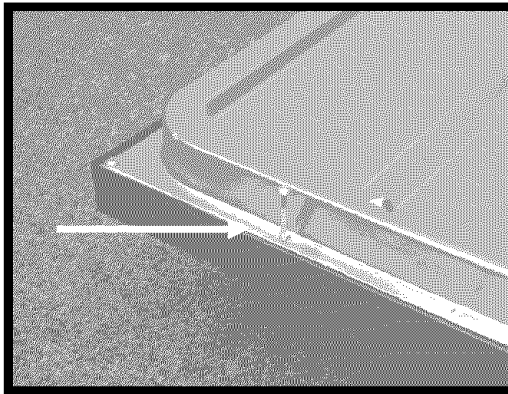
- 1.2.1 Find the center of panel at the top and bottom and draw and line through both points, dividing the panel in two.
- 1.2.2 Drill two $1/8$ " holes per above figure no more than $3/8$ " deep.
- 1.2.3 Drill four $5/32$ " holes per above figure no more than $3/8$ " deep.



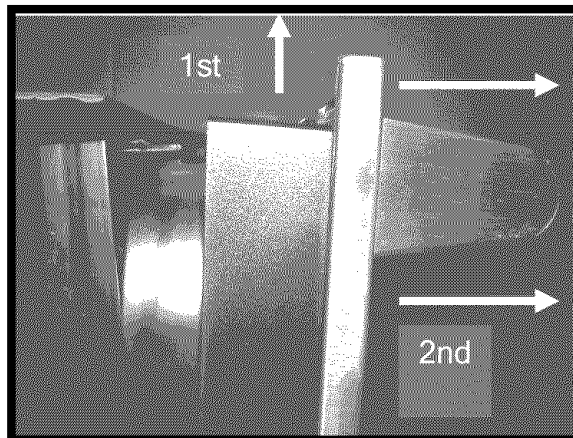
Step 2: Installing Panel Fasteners.

2.1 Remove existing front panel from dishwasher.

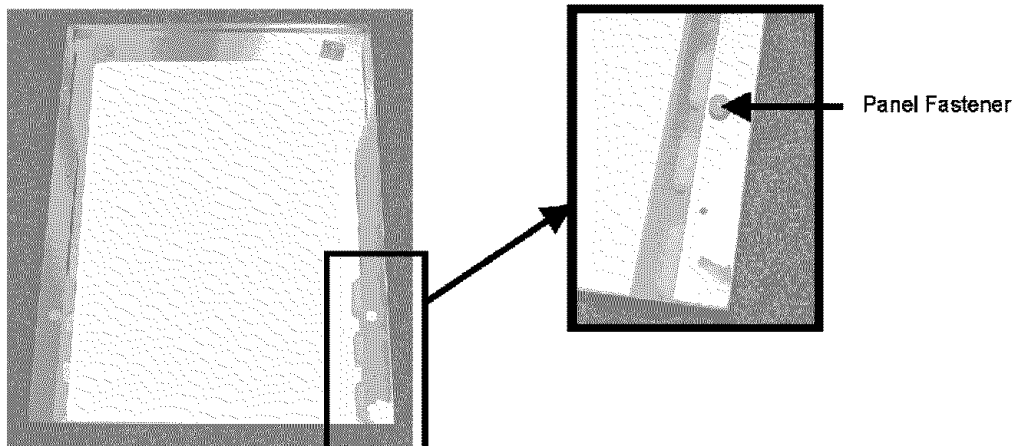
2.1.1 Open door completely and remove the second screw from the top on both the right and left sides of the door. Save the screws.



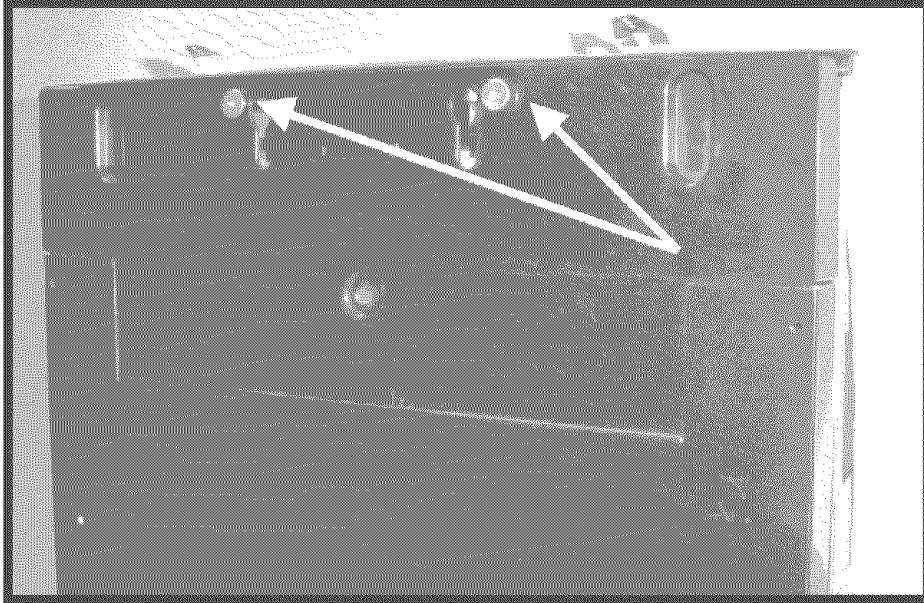
2.1.2 Slide the existing front panel upward approximately 1 1/2". Next pull the panel away from the dishwasher, separating it from the door.



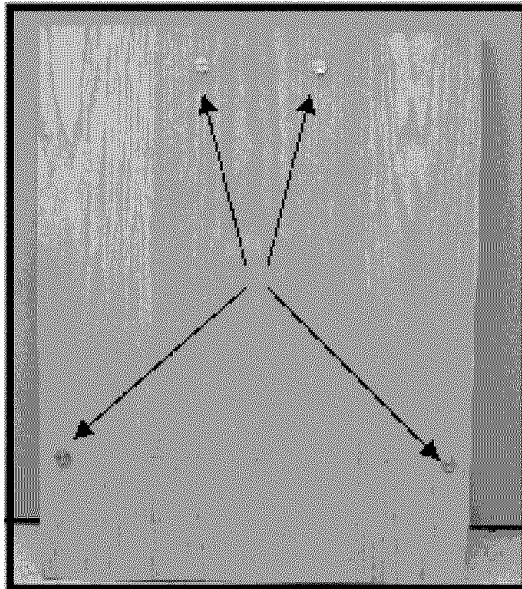
2.2 Remove the two panel fasteners from the bottom of the front panel.



2.3 Remove the two panel fasteners from the face of the control panel on the inner door.



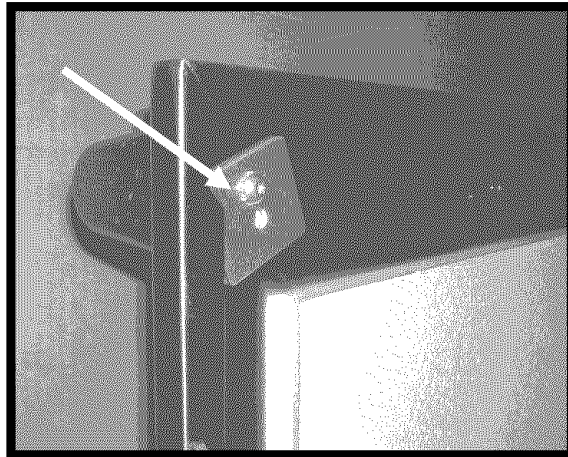
2.4 Screw each of the four panel fasteners into the four 5/32" pilot holes previously drilled into the back of the wood panel.



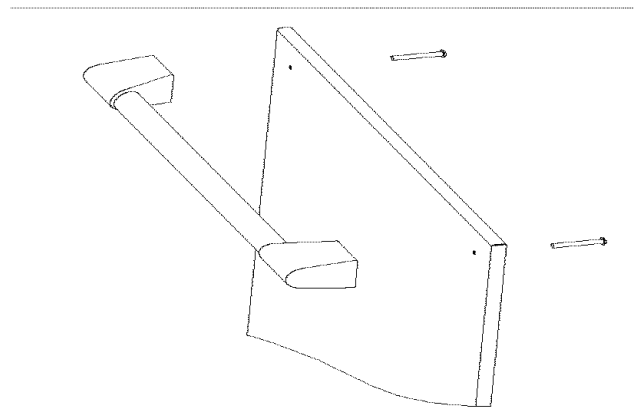
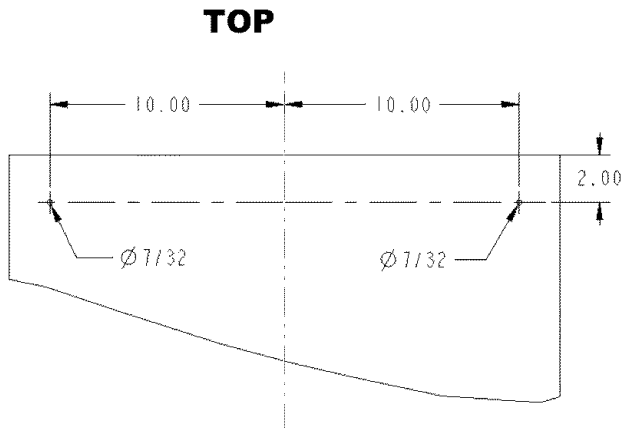
**Step 3: Mounting the Handle (Handle Provided with Dishwasher).
See Step 3B for Custom Handle Installation.**

NOTE: Use these instructions **ONLY** if you are using the same handle provided with the dishwasher. You will need to purchase two #10 - 32 bolts that are 1 inch long. These can be found at any local hardware store.

3.1 Remove the handle from the front panel by removing the two screws from the back of the front panel. Discard the two large square washers.



3.2 Drill two 7/32" holes thru the custom panel per figure below. These holes are also identified on the template.



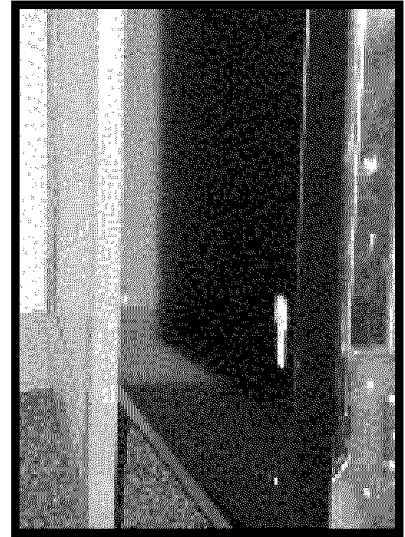
3.3 Attach the handle to the custom panel with the two 1 inch bolts. See figure above.
NOTE: The large square washer should **NOT** be used with a custom panel.

Step 3B: Mounting Custom Handles

If using any type of custom handle it would be best to contact a professional cabinetmaker. All fasteners **MUST** be flush with the back of the panel to ensure a proper fit.

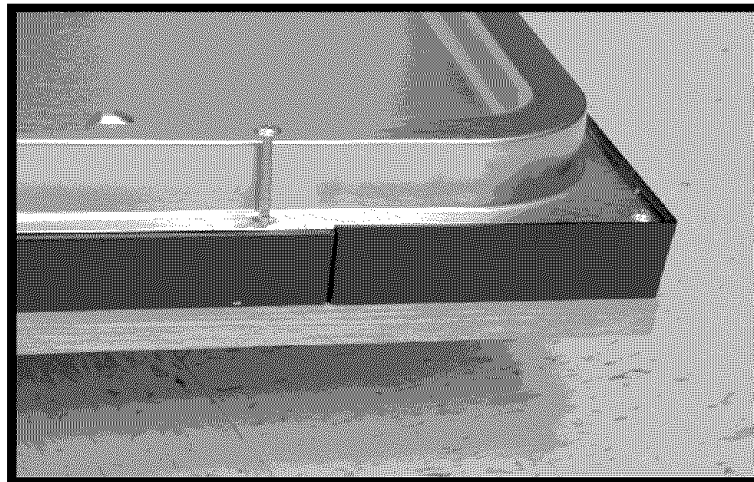
Step 4: Mounting the Custom Panel to the Dishwasher.

4.1 Align the four panel fasteners with the four holes of the keyhole slots on the inner door panel.



4.2 Once all four fasteners are seated, slide the custom panel down until the top of the custom panel is flush with the top of the control panel. Check overall fit and appearance.

4.3 Open door completely and verify alignment one last time. Insert the two side screws into the existing holes, then drive them into the two 1/8" pilot holes of the custom panel.



Step 5: Adjust Spring Tension on Door.

5.1 If the spring tension on the door is too great then lower the spring on the bracket.

5.2 If the spring tension on the door is not enough then:

5.2.1 Remove spring from bracket.

5.2.2 Remove the bracket by removing the two screws.

5.2.3 Drill two 5/32" holes one inch above the two existing screw holes in the collar frame.

5.2.4 Secure bracket to collar frame using the two new holes.

