

Installation Instructions

Stack Bracket Kit

WE25X10018

BEFORE YOU BEGIN

Read these instructions completely and carefully.

- **IMPORTANT** – Save these instructions for local electrical inspector's use.
- **IMPORTANT** – Observe all governing codes and ordinances.
- **Note to Installer** – Be sure to leave these instructions with the Consumer.
- **Note to Consumer** – Keep these instructions for future reference.
- Installation **must** be performed by a qualified installer.
- Proper installation is the responsibility of the installer.

FOR YOUR SAFETY:

WARNING

- Electric Shock Hazard. Disconnect power before installing. Failure to do so could result in serious injury or death.
- **Potential Personal Injury. More than two people are recommended to lift the dryer into position because of its weight and size. Failure to do so could result in personal injury or death.**
- Avoid Tipping and Rupture of Utility Services. Dryer must be securely attached to the washer. DO NOT place the washer on top of the dryer. Failure to do so could result in personal injury/death or property damage.
- Mobile Home or Manufactured Home Installation – Stacking of a gas dryer is not permitted in a mobile home or manufactured home.

MINIMUM CLEARANCE OTHER THAN ALCOVE OR CLOSET INSTALLATION

Minimum clearance to combustible surfaces and for air opening are: 0" both sides and 1" rear. Consideration must be given to provide adequate clearance for installation and service.

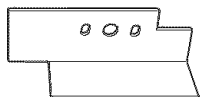
ALCOVE OR CLOSET INSTALLATION

- If your dryer is approved for installation in an alcove or closet, it will be stated on a label on the dryer back.
- The dryer **MUST** be vented to the outdoors. Refer to dryer Installation Instructions for details.
- Minimum clearance between dryer cabinet and adjacent walls or other surfaces is:
0" either side
3" front and rear
- Minimum vertical space from floor to overhead cabinets, ceiling, etc. is 43" without pedestal, 55" with pedestal and 84" stacked.
- Closet doors must be louvered or otherwise ventilated and must contain a minimum of 60 square inches of open area equally distributed. If the closet contains both a washer and a dryer, doors must contain a minimum of 120 square inches of open area equally distributed.

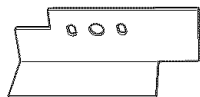
Installation Instructions

KIT CONTENTS

Right Hand Bracket



Left Hand Bracket



4 Rubber Pads



4 #12 x 1" Screws



4 #8 x 1/2" Screws



TOOLS YOU WILL NEED

Phillips Screwdriver



Open Ended Wrench



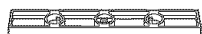
Pliers



Gloves



Level



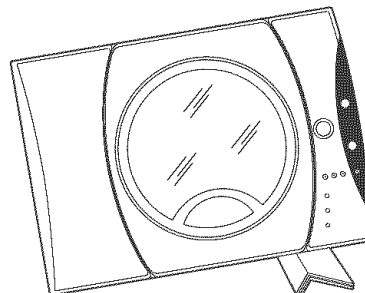
INSTALLATION PREPARATION

Remove the packaging.

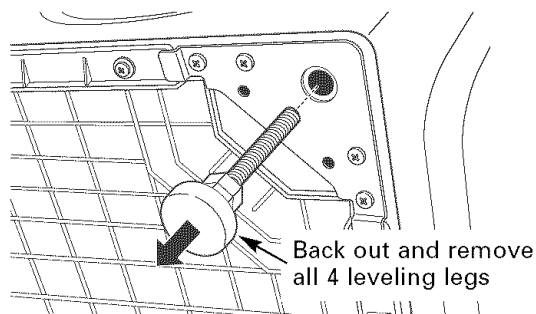
Flatten the product carton to use as a pad to lay the dryer down on its side. Continue using the carton to protect the finished floor in front of the installation location.

1 REMOVE THE DRYER LEVELING LEGS

A Carefully lay the dryer on its side. Use the packing material so you don't scratch the finish on the dryer.

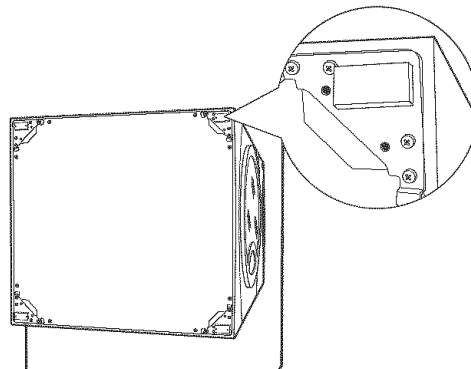


B Use an open-end wrench or pliers to remove the dryer leveling legs.



2 INSTALL RUBBER PADS TO DRYER BASE

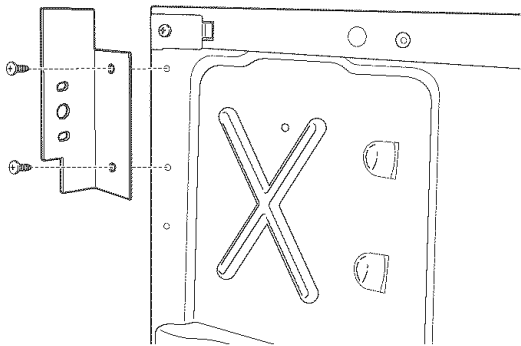
Locate the 4 rubber pads in the parts package. Remove the adhesive backing and firmly place over on the bracket where you removed the levelling legs.



Installation Instructions

3 INSTALL BRACKET TO DRYER

- A** Align the holes in the left bracket with the holes in the bottom left corner of the dryer. Use a Phillips screwdriver to install the 2 #12 x 1" tapping screws.
- B** Repeat the above step with the right bracket on the bottom right corner of the dryer.



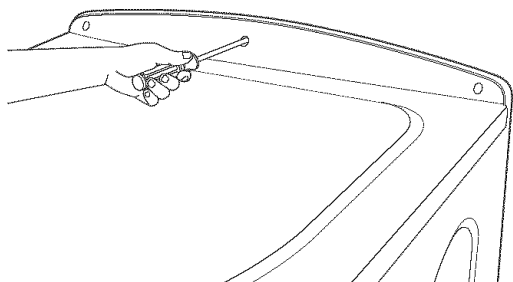
- C** Set the dryer upright.

NOTE: Make sure to set the dryer on a piece of packing material so the brackets that are attached to the bottom of the dryer do not damage the floor.

4 PREPARE THE WASHER AND DRYER

- A** Place the washer in the approximate location.
- B** Make sure the washer is level. Refer to washer Installation Instructions for details.
- C** Remove the back portion of the control panel by removing the 3 screws.
- D** Reverse dryer door swing if desired. See dryer installation instructions for details.

NOTE: The washer door swing is not reversible.



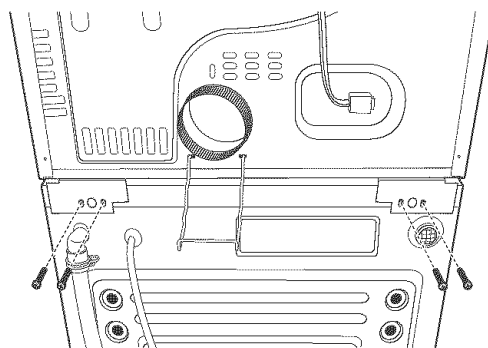
5 INSTALL DRYER AND BRACKET ON WASHER

- A** Lift the dryer on top of the washer. Be careful not to scratch the top of the washer with the brackets. Protect the washer control panel with cardboard or other protection. Be sure to lift the dryer high enough to clear the washer control panel.

⚠ WARNING

Potential Personal Injury. More than two people are recommended to lift the dryer into position because of its weight and size. Failure to do so could result in personal injury or death.

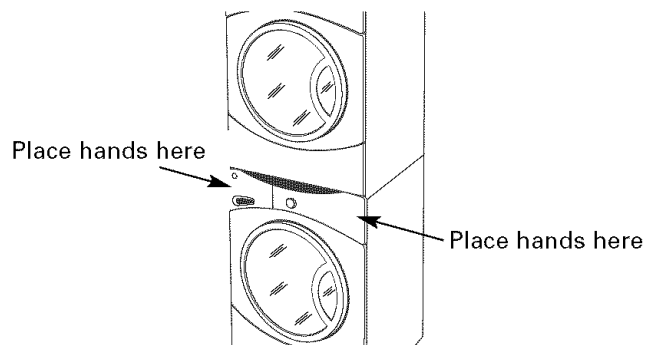
- B** Align the holes in the bracket with the holes in the back of the washer. Using a Phillips screwdriver attach the 2 #8 x 1/2" tapping screws. Repeat on both sides of the washer.



Installation Instructions

6 FINALIZE THE INSTALLATION

- A** Refer to the washer Installation Instructions to complete the washer installation.
- B** Refer to the dryer Installation Instructions to complete the dryer installation.
- C** Carefully slide or walk the stacked washer and dryer into place. Use felt pads or other sliding device to assist moving and to protect flooring.



⚠ WARNING

Potential Personal Injury. Do not push on the dryer once installed to top of the washer. Pushing on the dryer may result in pinched fingers.